

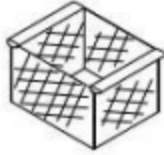
## Product Parts

A



2 pcs

B



C



D



4 pcs

E



F



16 pcs

G



4 pcs

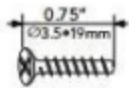
H



4 pcs

## Hardware

1



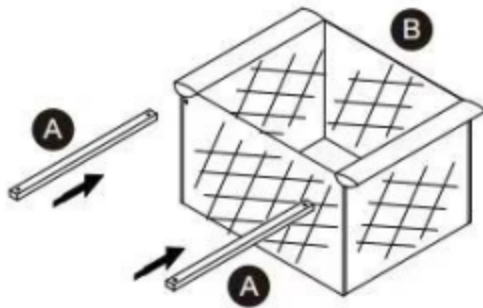
4 pcs

2

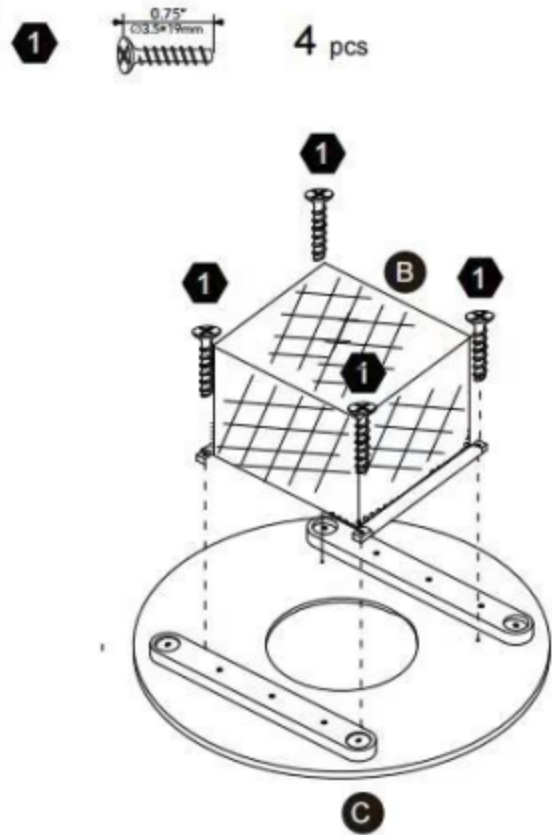


8 pcs

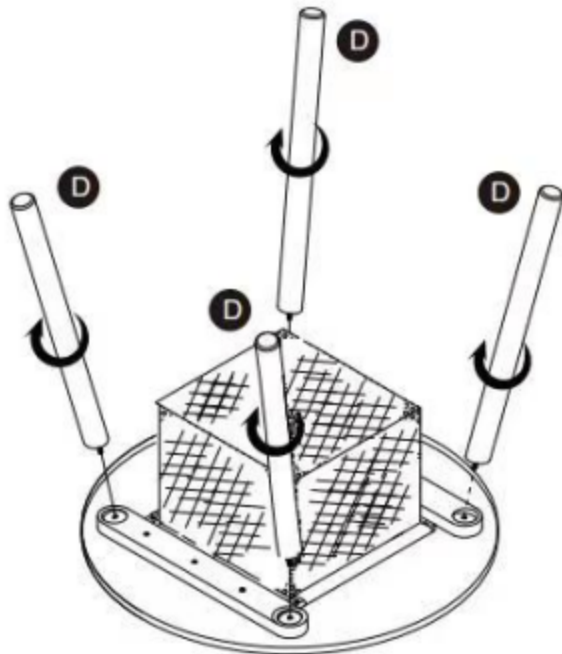
### Step 1



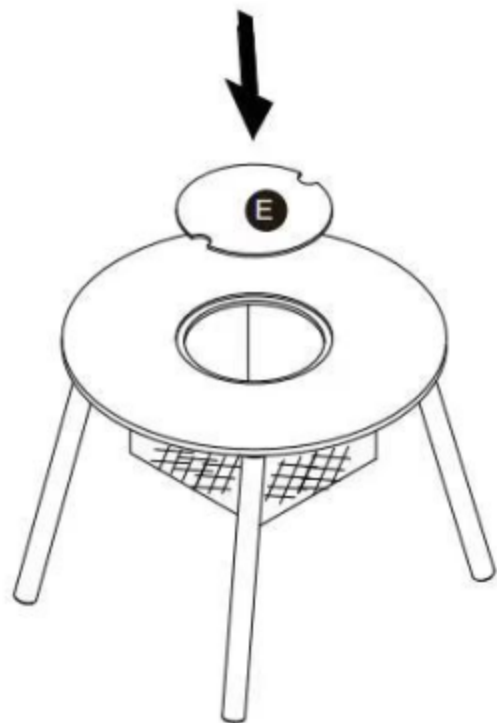
### Step 2



### Step 3



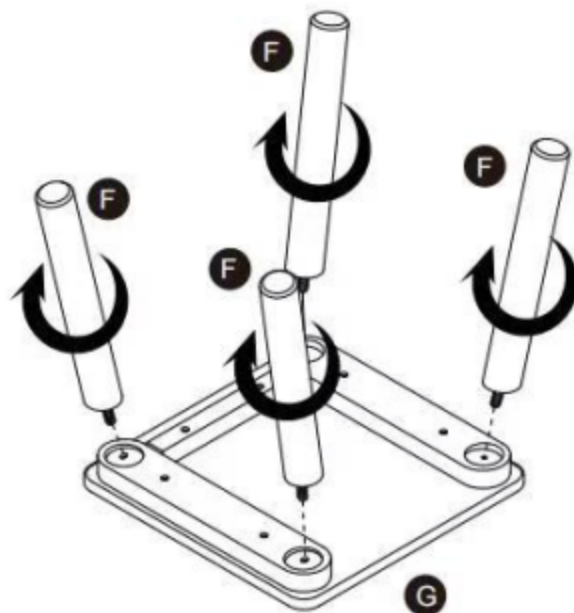
### Step 4



Step 5

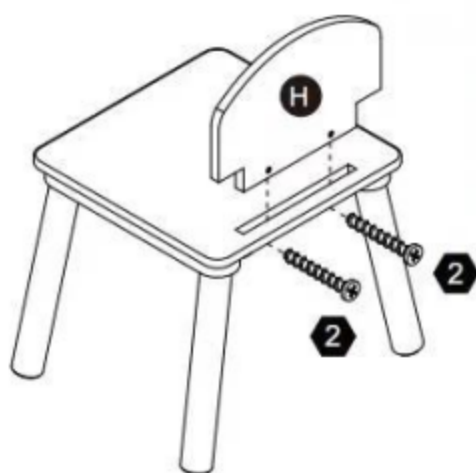
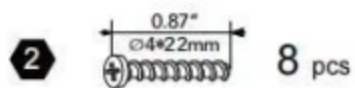


Step 6



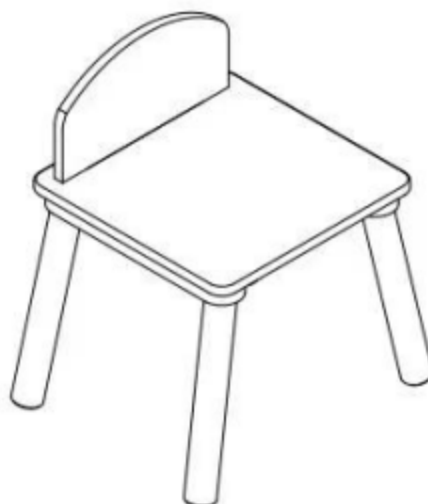
\*4

Step 7



\*4

Step 8



\*4

Step 9

