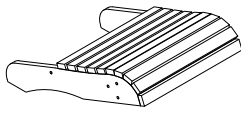




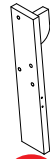
Made in China

PARTS LIST



A

x1
Seat



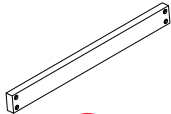
B

x1
Left front leg



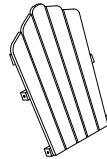
C

x1
Right front leg



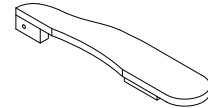
D

x1
Front cross bar



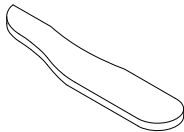
E

x1
Back



F

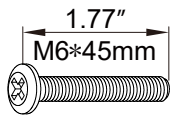
x1
Left arm



G

x1
Right arm

HARDWARE LIST



1

x8
Machines screw



M6

2

x8
Hexagon Nut



M6*12mm

3

x8
Screw washer



M6

4

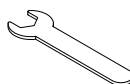
x4
Barrel Nut



Ø4*35mm

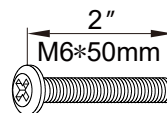
5

x4
Taping-Self Screw



6

x1
Wrench

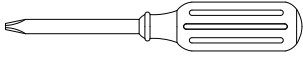
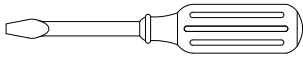


7

x4
Machines screw

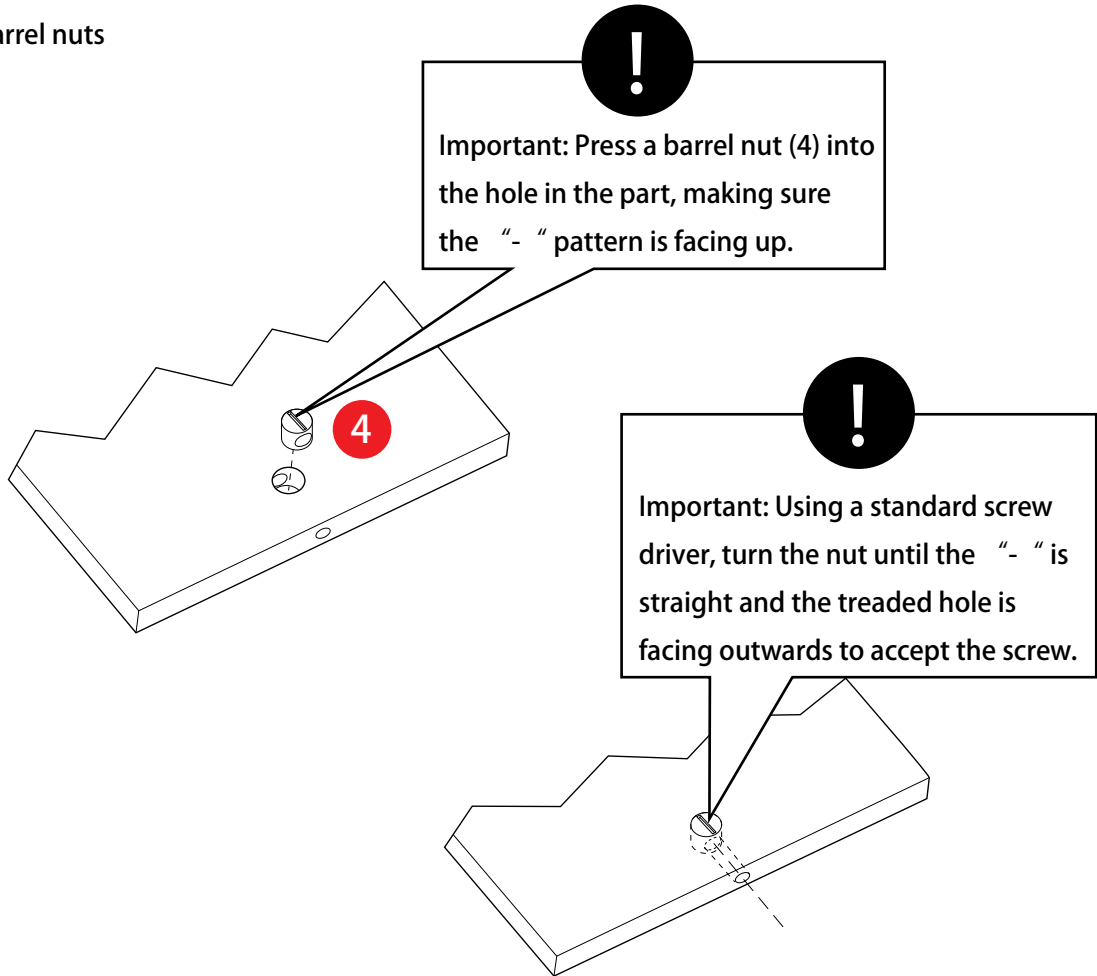
HELPFUL HINTS

- Tools needed, but not included:



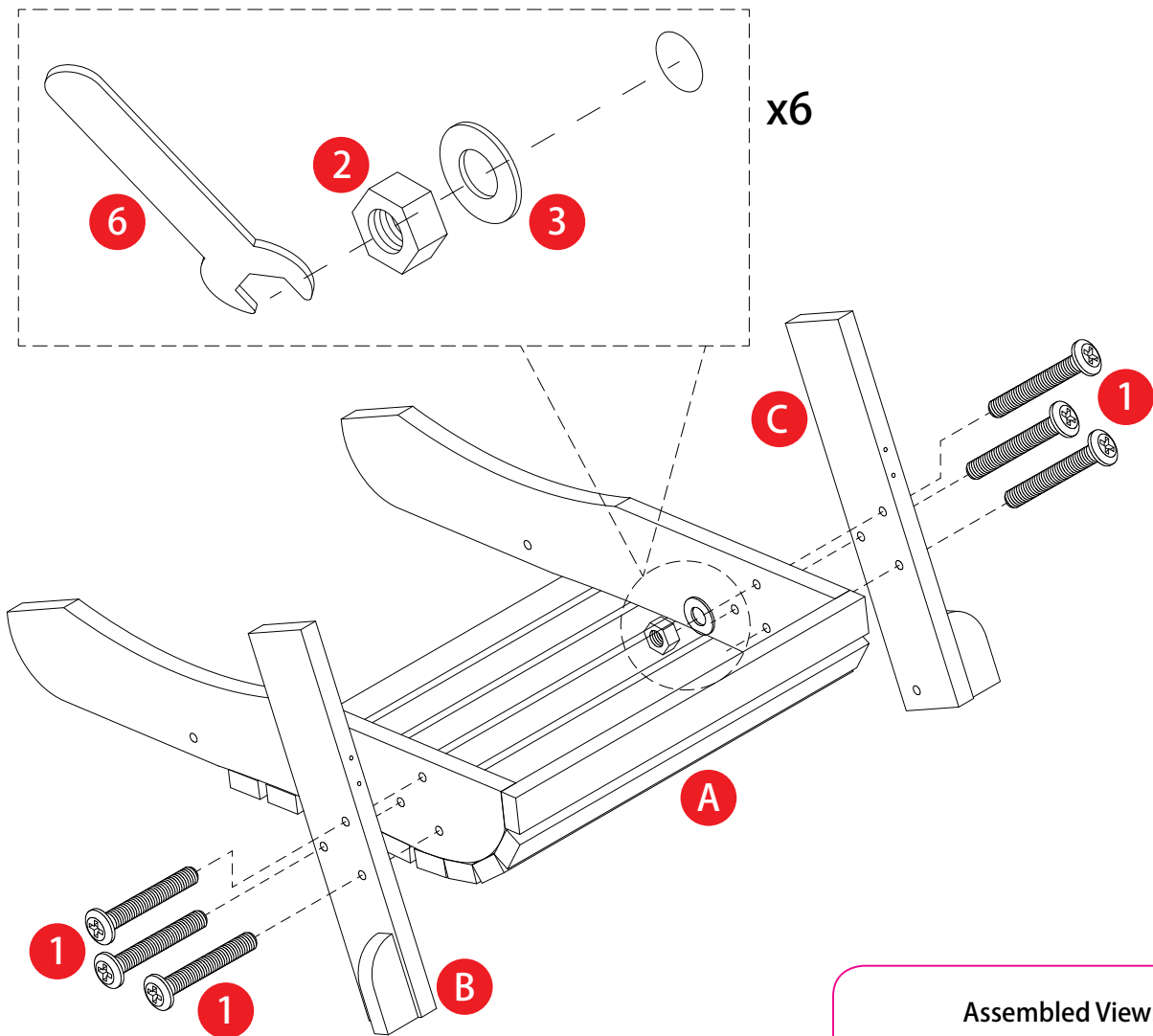
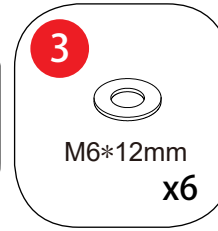
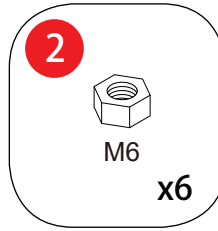
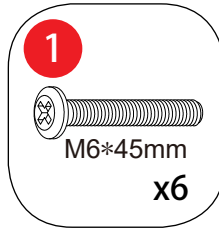
- Separating parts before starting

How to install barrel nuts

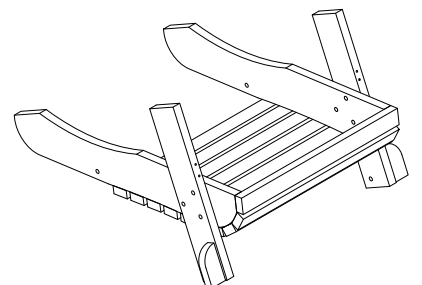


STEP 1

Attaching left front leg(B) and right front leg (C) to seat with 6 x part (1) and 6 x part (2) and 6 x part (3) and wrench (6)



Assembled View:



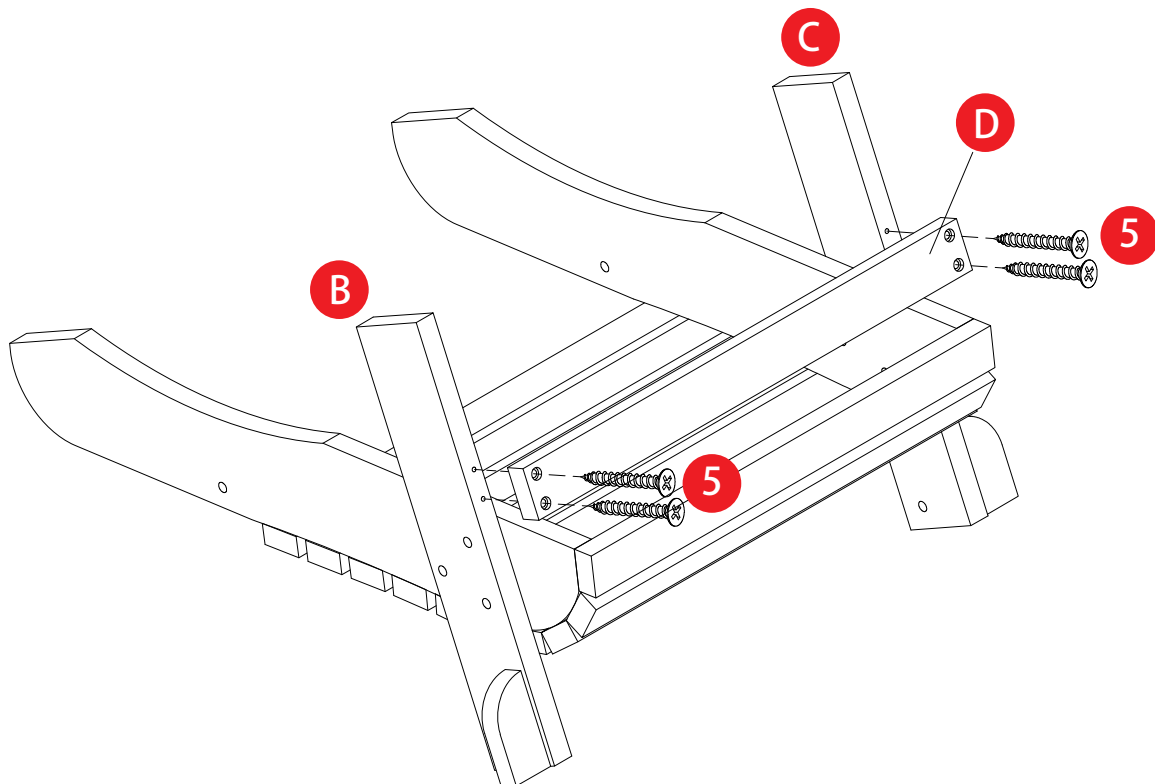
STEP 2

Attaching front cross bar (D) to legs with 4 x part (5)

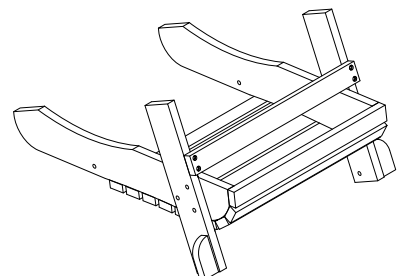
5



Ø4*35mm
x4

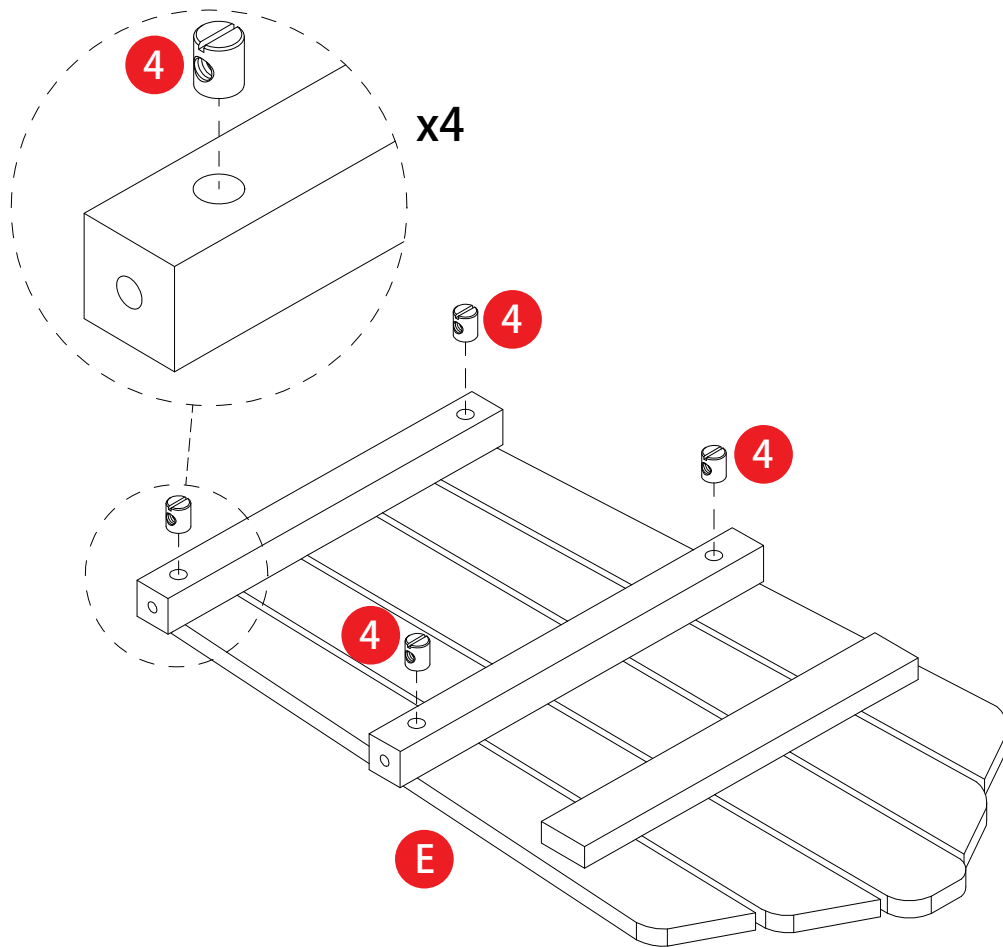


Assembled View:

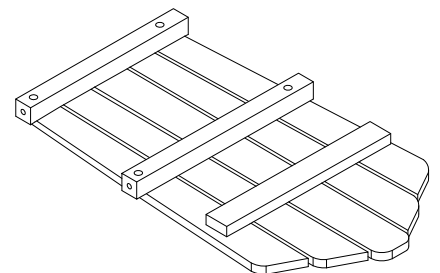


STEP 3

Put 4 x part (4) into the hole of back (E), Make Sure the "-" is aligned up the hole

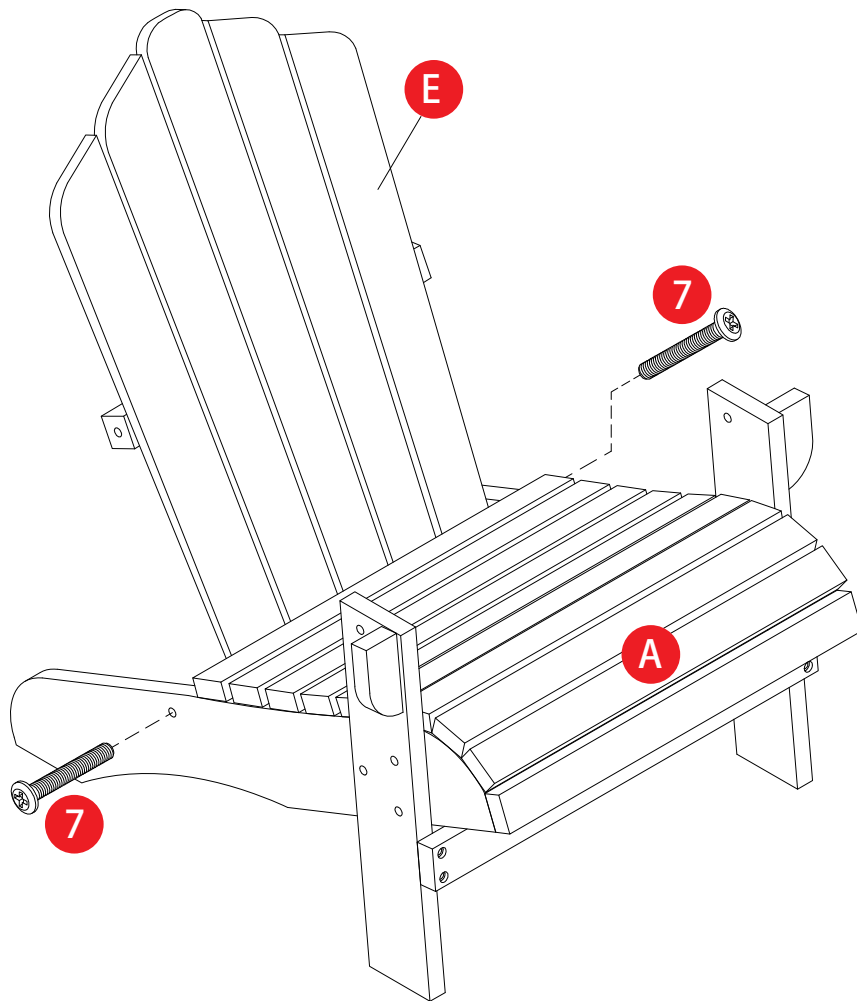
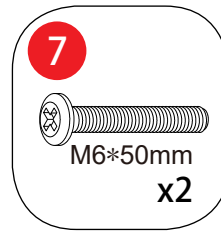


Assembled View:

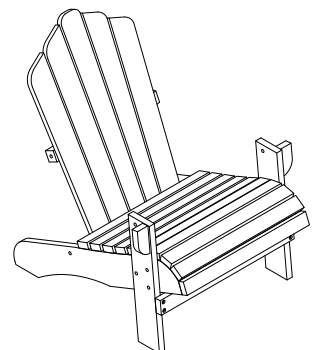


STEP 4

Attaching chair back (E) to seat (A)
with 2 x part (7)

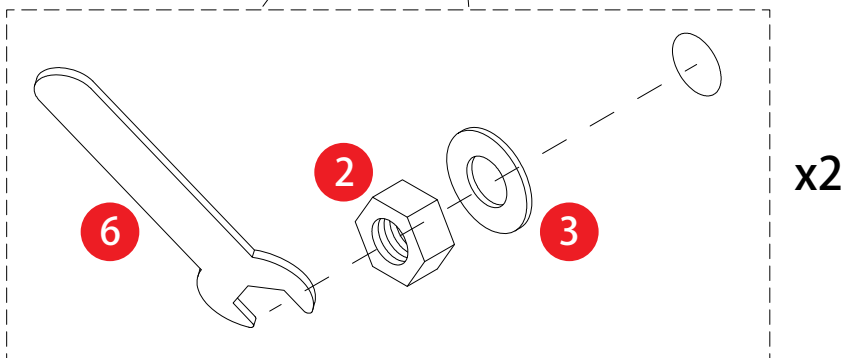
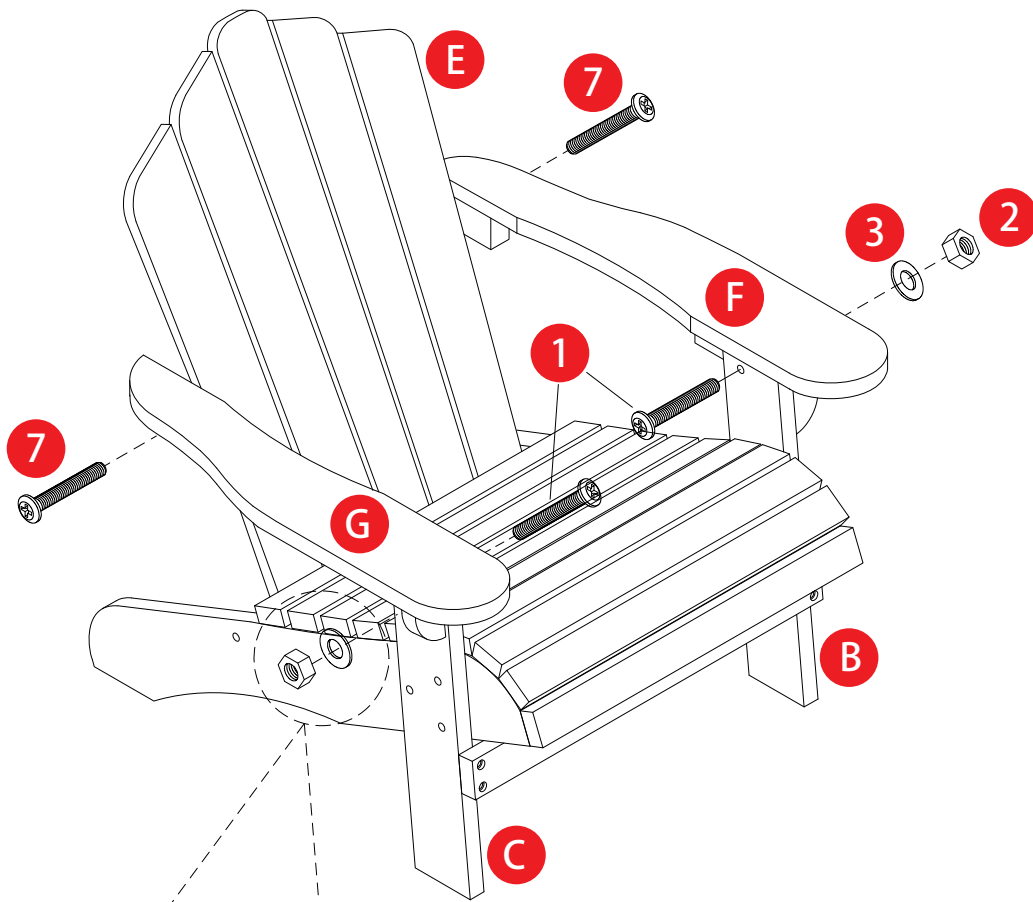
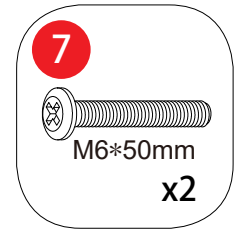
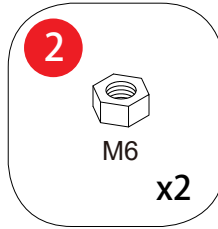
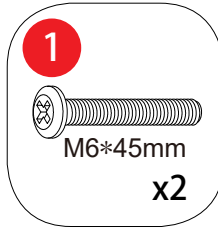


Assembled View:



STEP 5

Attaching left arm (F) and right arm (G) to chair back and legs with 2 x part (1) and 2 x part (2) and 2 x part (3) and wrench (6) and 2 x part (7)



Assembled View:

