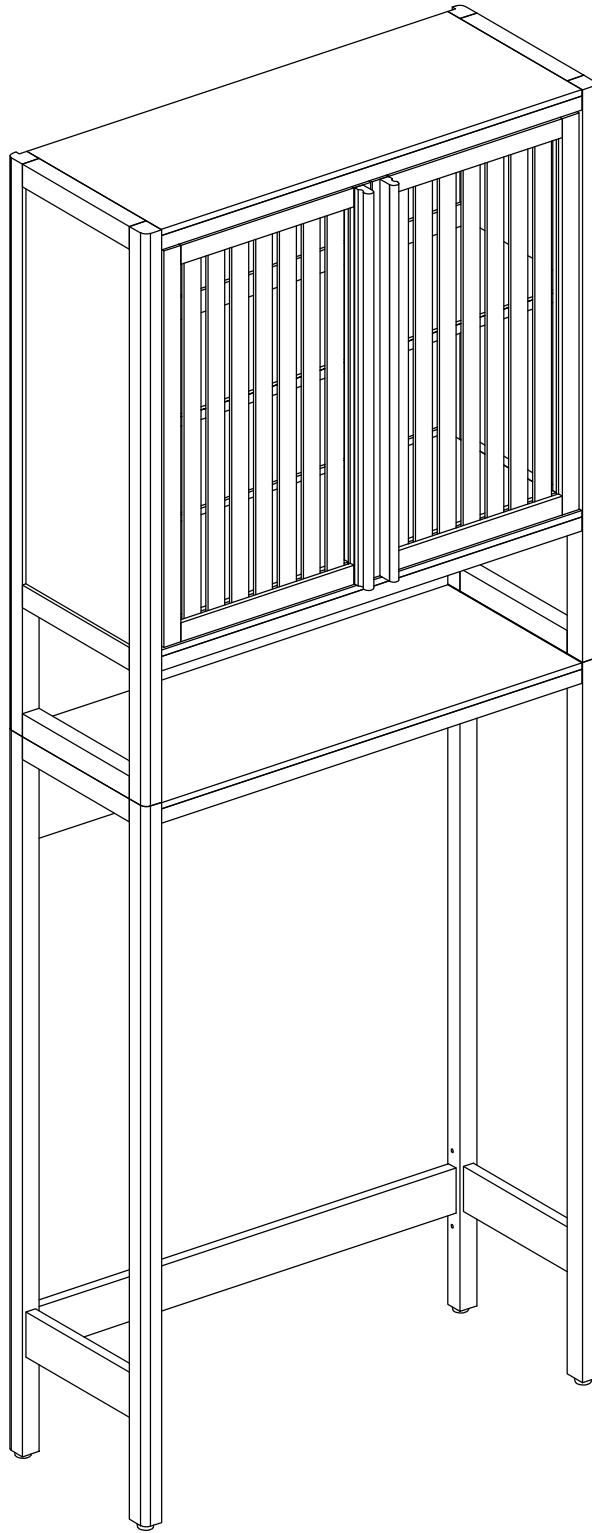


# BAMBOO SPACE SAVER



W2207P147171

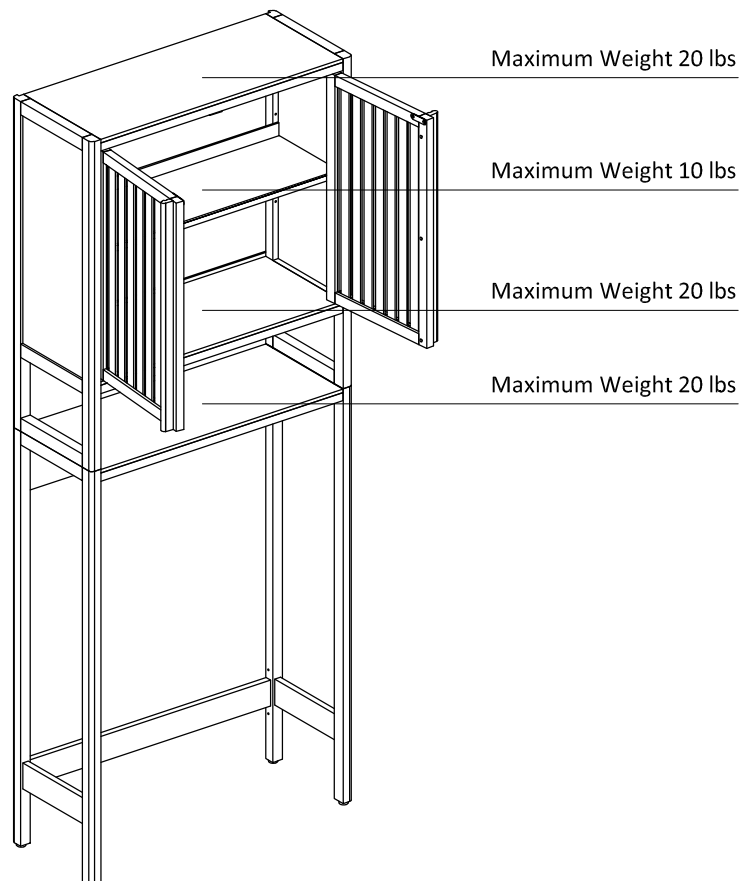
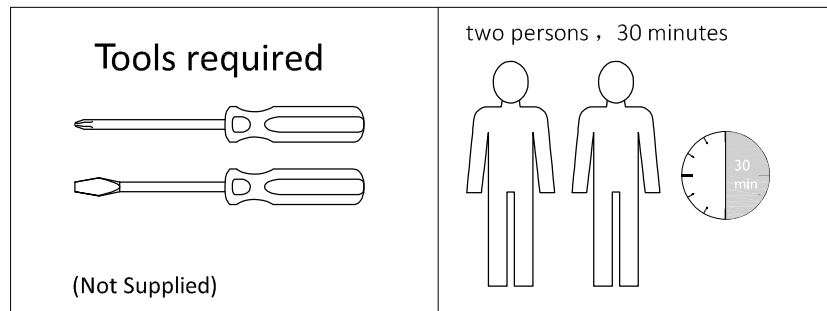
## Getting started

Thank you for purchasing this product. Read the instructions and warnings carefully before use, to ensure safe and satisfactory operation of this product.

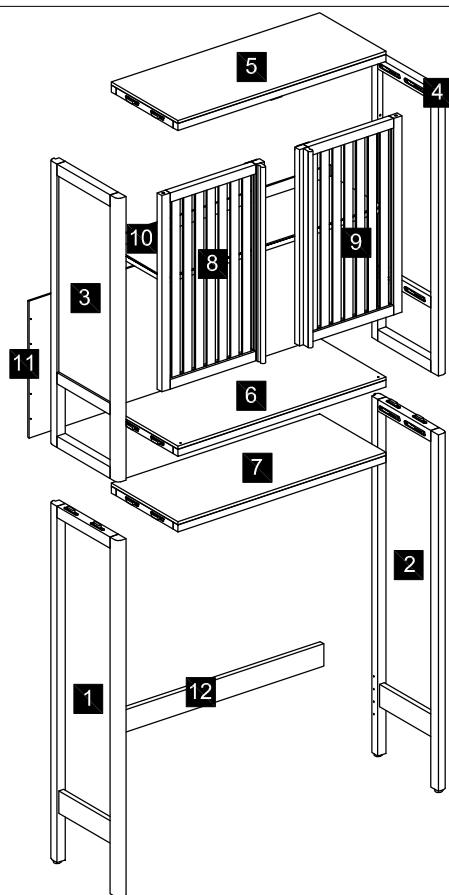


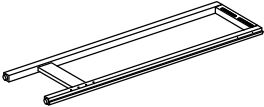
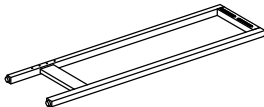
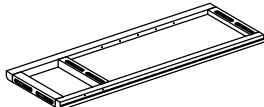
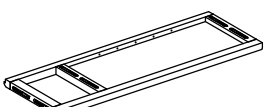
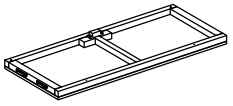
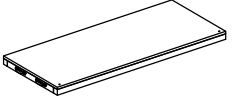
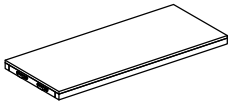
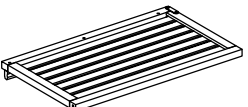
## WARNING

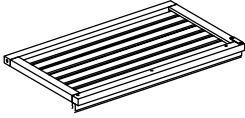
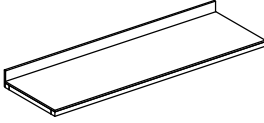
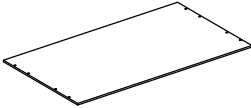

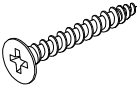
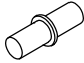

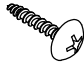
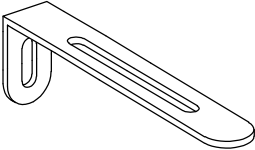
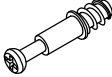

- Do not let any sharp objects touch or rub the surface of the product.
- When assembling, do not let children play around the working area.
- Please confirm all parts are correct before starting the assembly process.
- Do not tighten all bolts and screws completely until the entire unit has been assembled and set up.
- **DO NOT USE POWER TOOLS.**
- Power tools can over tighten screws and strip threads.
- For each screw:
  1. Tighten each screw until you meet resistance.
  2. Tighten one additional full rotation. **DO NOT OVER TIGHTEN.**



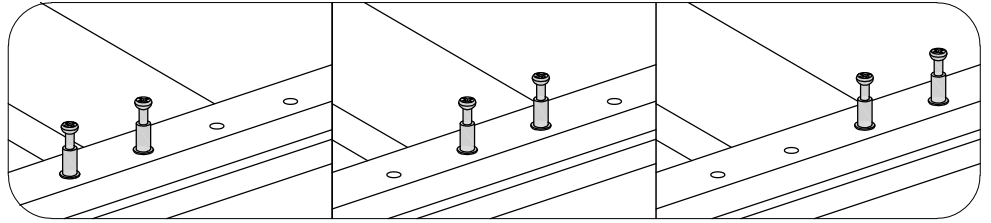
## Fittings and parts checklist



No.	Picture	Name	Qty	No.	Picture	Name	Qty
1		Under left side frame	1	2		Under right side frame	1
3		Upper left side frame	1	4		Upper right side frame	1
5		Top panel	1	6		Upper fixed shelf	1
7		Under fixed shelf	1	8		Left door	1

No.	Picture	Name	Qty	No.	Picture	Name	Qty
9		Right door	1	10		Adjustable shelf	1
11		Back panel	1	12		Adjustable back rail	1
A		Screw	8	B		Shelf Support	4
C		Pin	5 (One spare)	D		Screw	2
E		Metal 'L' Bracket	2	F		Cam bolt	4
G		Cam lock	4				

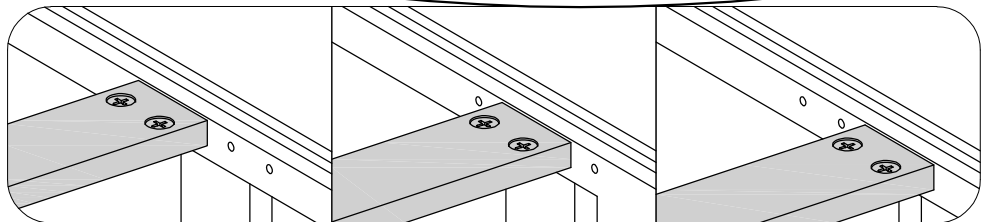
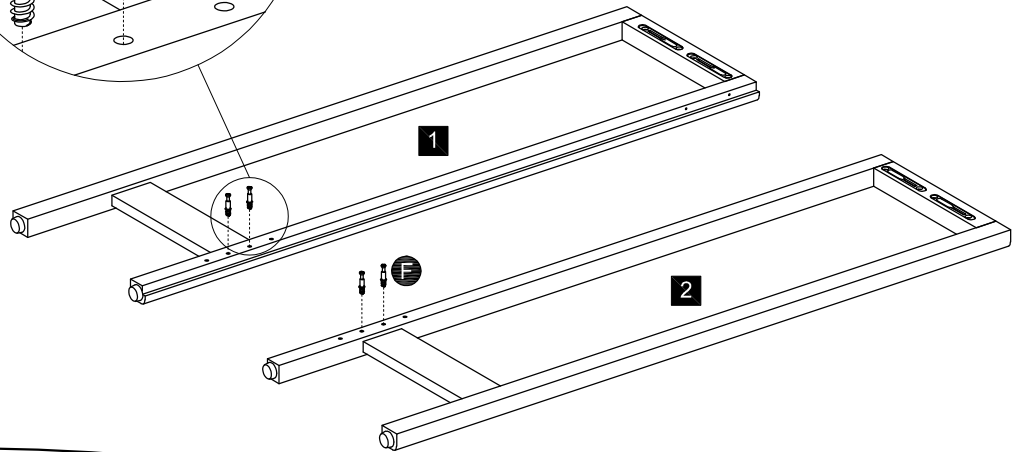
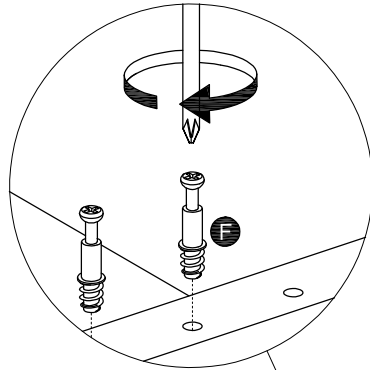
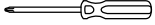
# Product assembly



## Step 1

Parts, fittings and tools

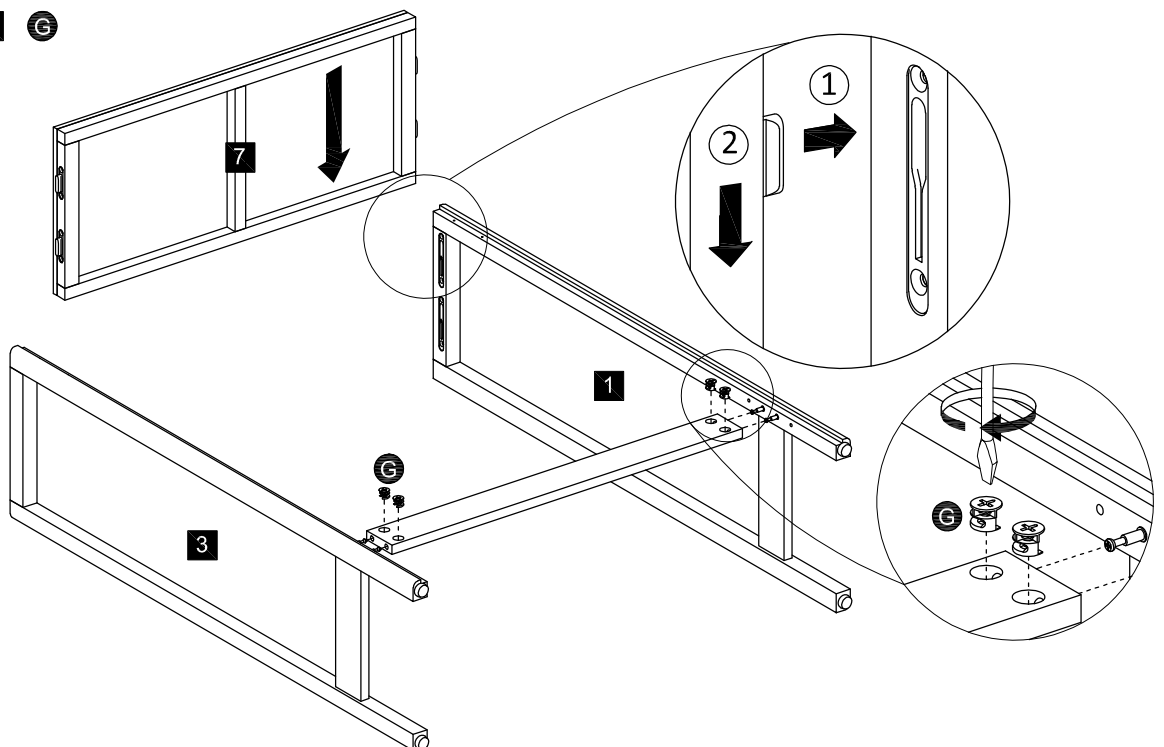
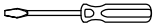
1 2 F



## Step 2

Parts, fittings and tools

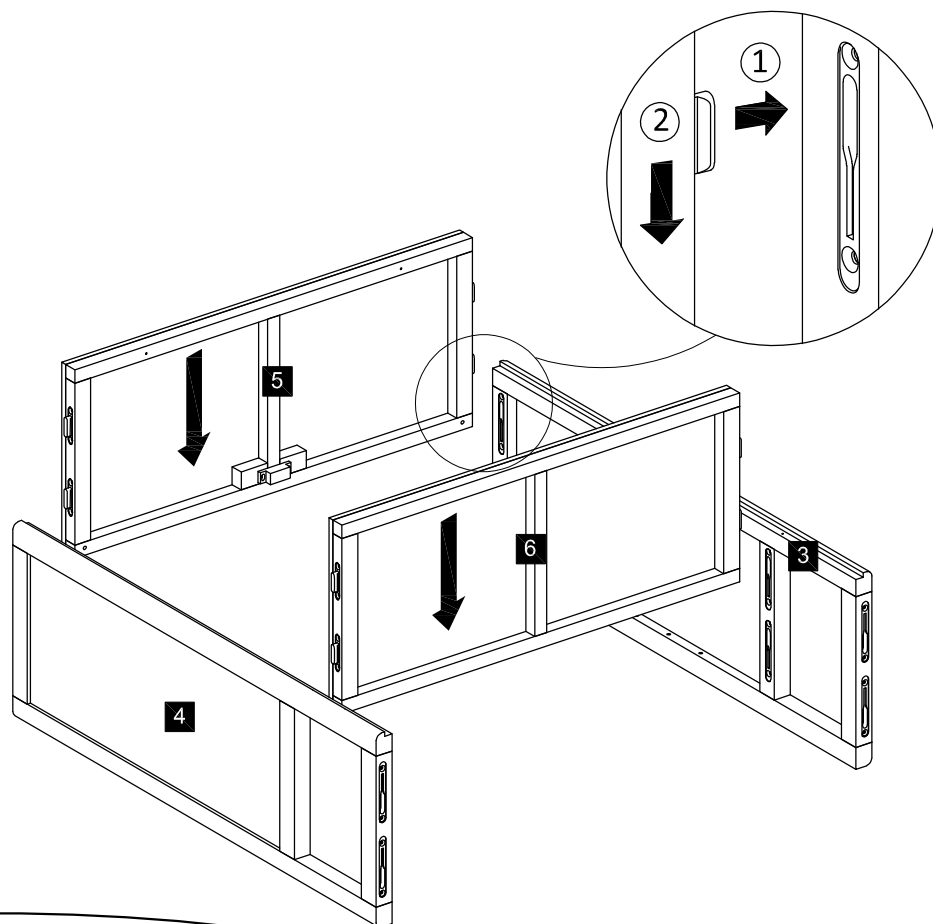
1 2 7 12 G



## Step 3

Parts, fittings and tools

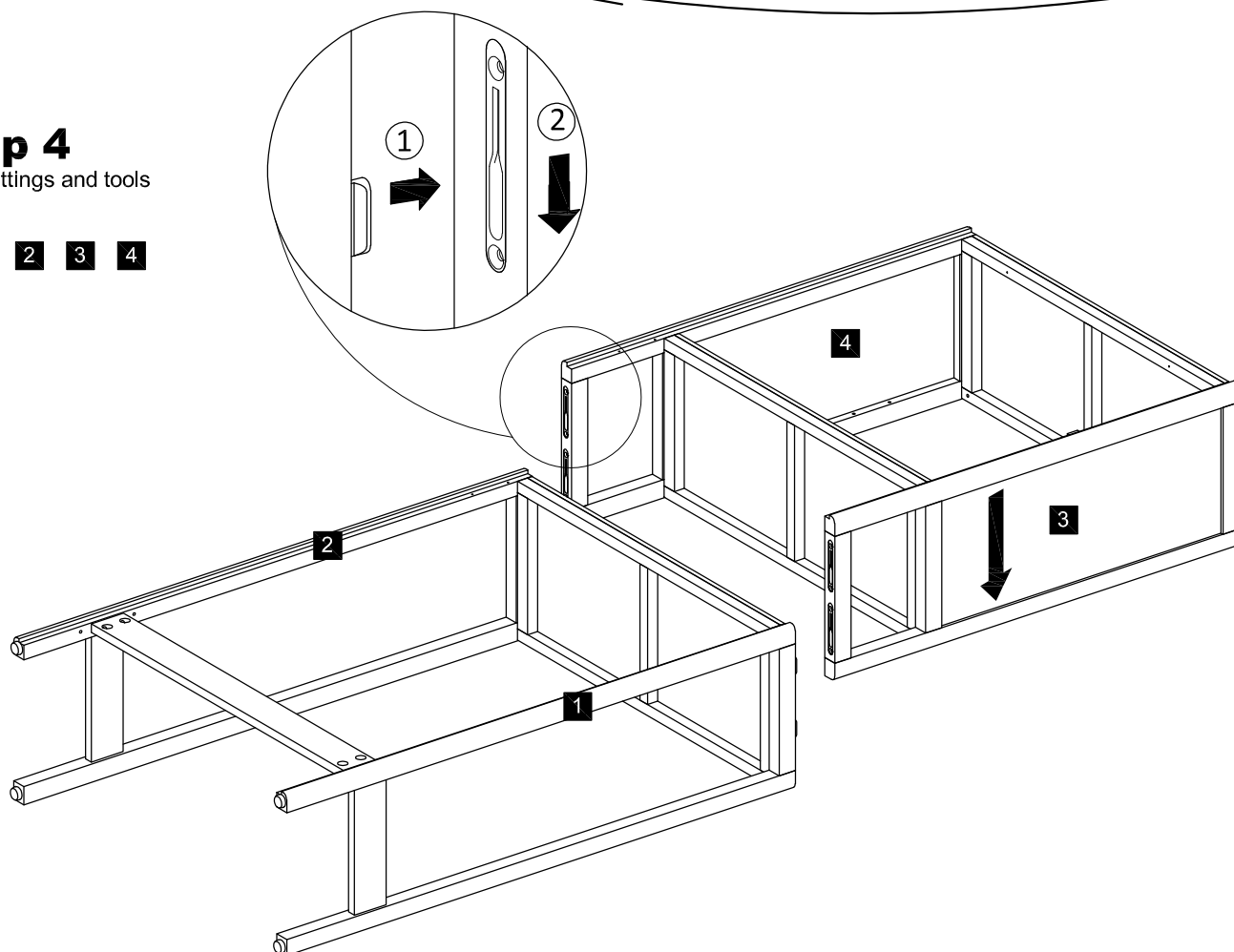
3 4 5 6



## Step 4

Parts, fittings and tools

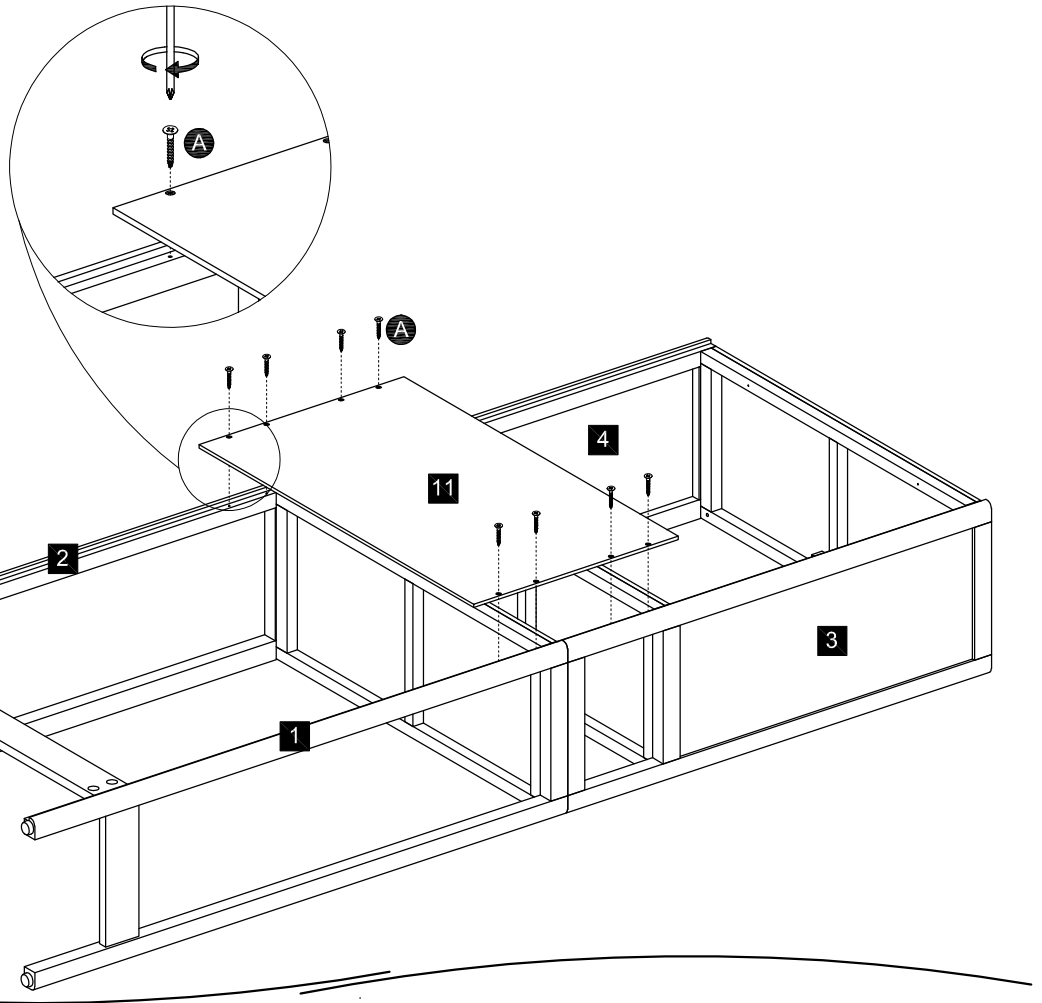
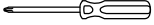
1 2 3 4



## Step 5

Parts, fittings and tools

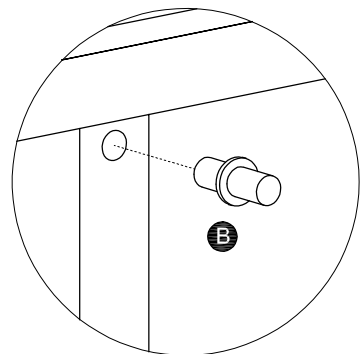
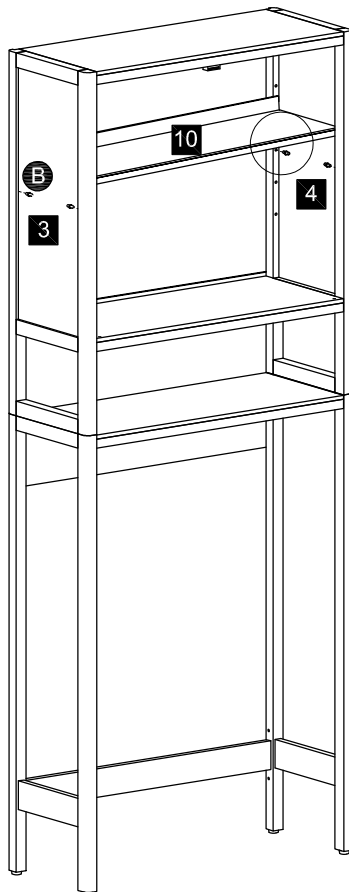
1 2 3 4 11 A



## Step 6

Parts, fittings and tools

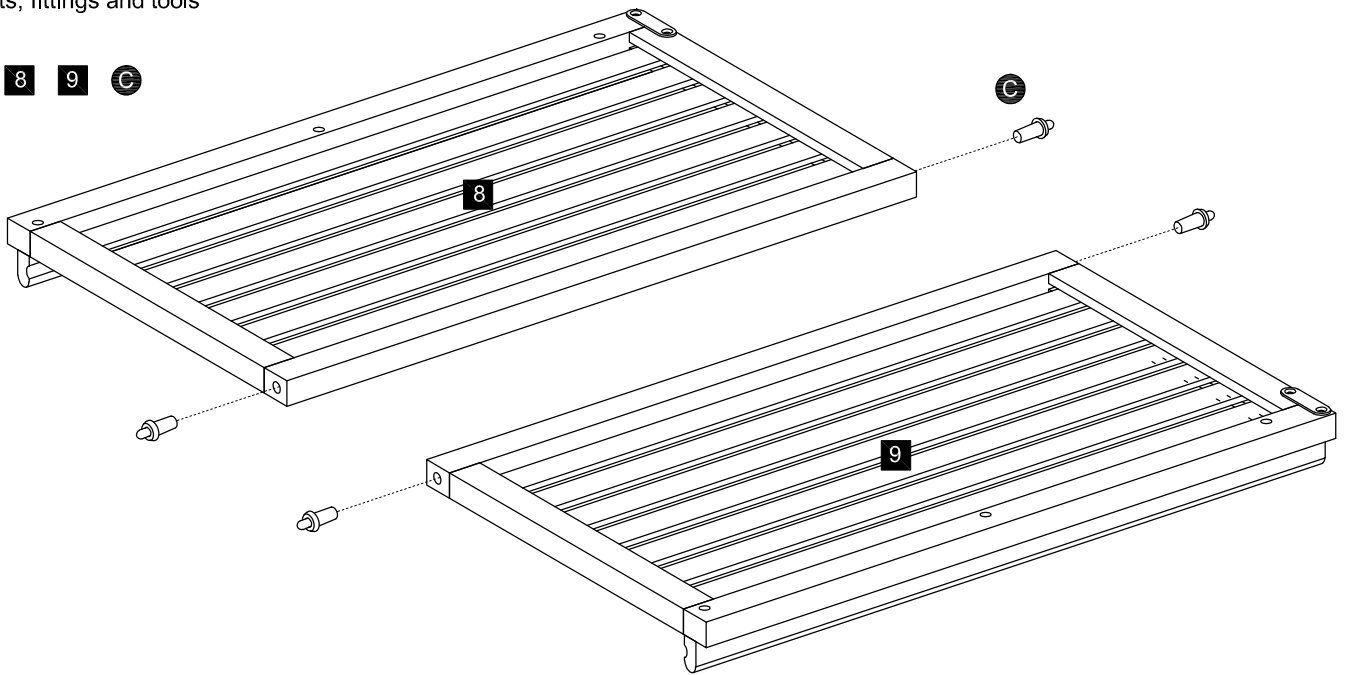
3 4 10 B



## Step 7

Parts, fittings and tools

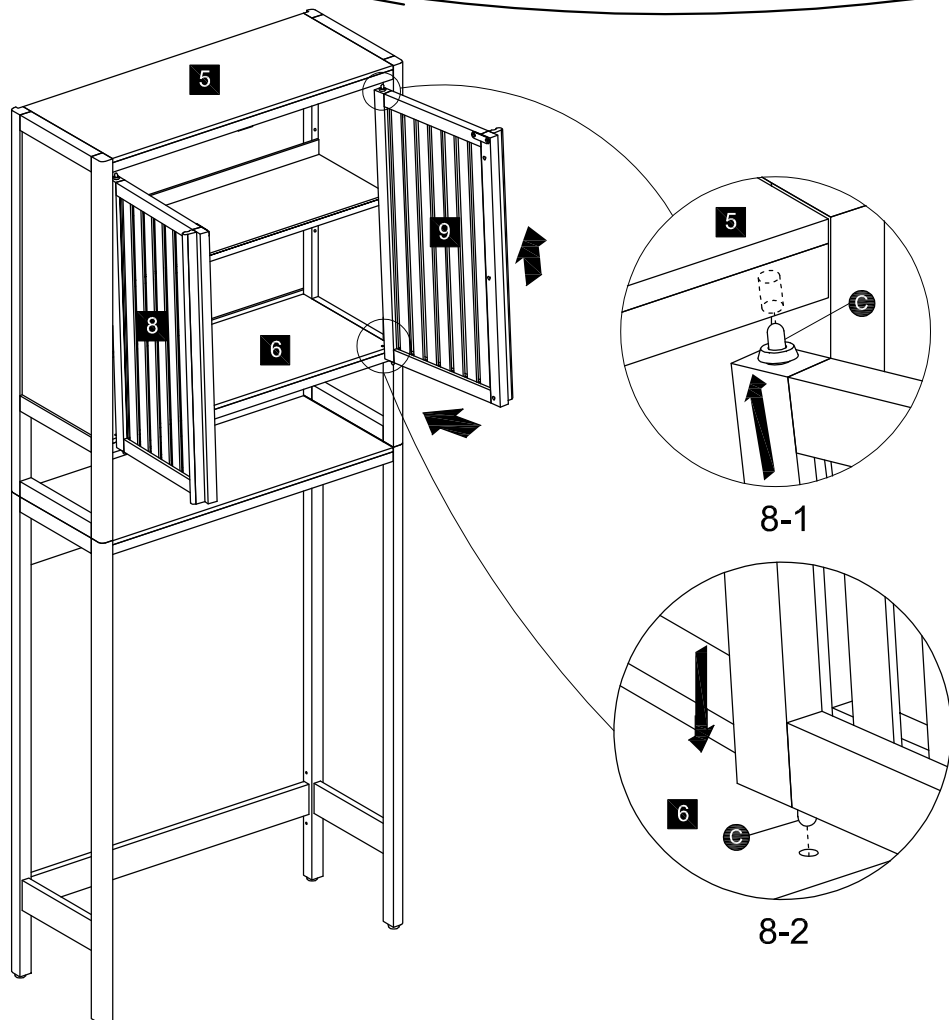
8 9 C



## Step 8

Parts, fittings and tools

5 6 8 9

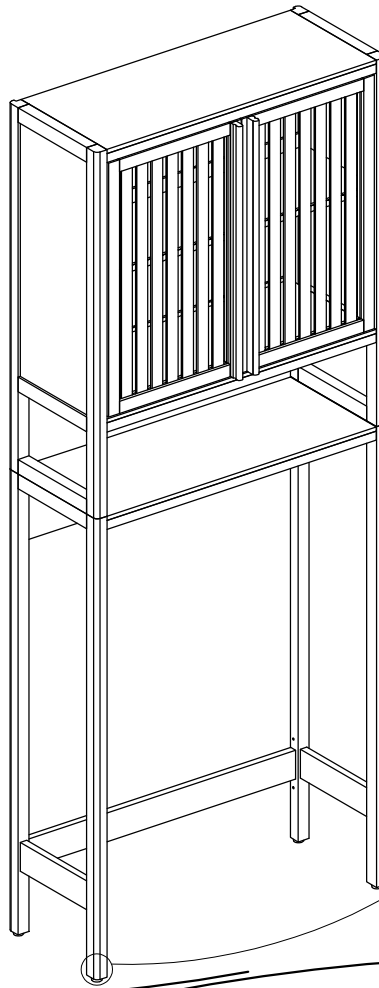




## Step 9

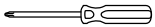
Parts, fittings and tools

Use adjustable leveler if necessary.

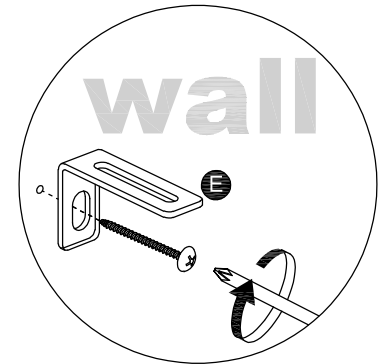
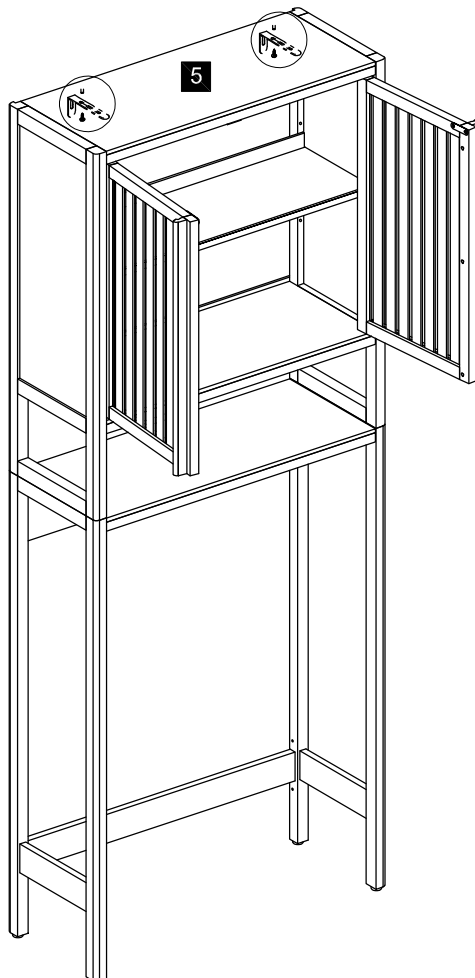


## Step 10

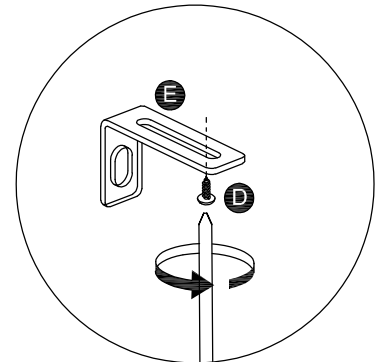
Parts, fittings and tools



PLEASE NOTE: For your safety, to prevent the danger of this unit tipping over, it is important to choose a right anchor suitable for your wall and attach it properly.



8-1



8-2