

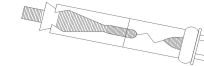
Door Awning

7934C Series

W79"xD34"/ W2000xD870mm

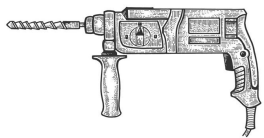
Assembly Instruction

Only for masonry house

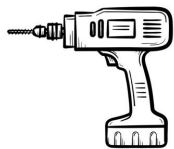


x 2 PERSONS
TEAM WORK

Tools needed, not included.



Electric Hammer



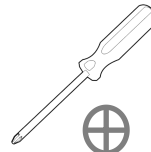
Electric Screw
Driver



1/8", 7/32",
31/64"



Protection
Goggles



Cross
Screwdriver



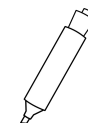
7 FEET
Tape Ruler



7/16", 9/16"
Spanner



Hammer



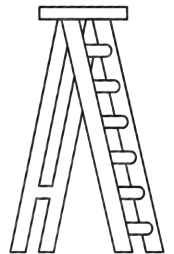
Mark
Pen



Helmet



Gloves



Ladder

Safety Advice & Cleaning

Safety Advices or Warning before assembly

- Make sure there are no hidden pipes or cables in the wall before drilling.
- Please strictly follow the steps listed in the instruction manual.
- Sort the parts and check according to the part list & exploded drawing.
- At least 2 persons are needed to assemble the awning.
- Do not attempt to assemble the awning in windy, snowing or rainy conditions.
- Always wear shoes, gloves, helmet and safety goggles.
- Dispose of all plastic bags safely - keep them out of reach of children and pets.
- Keep children and pets away from the assembly zone.
- Do not attempt to assemble the awning if you are tired, have taken drugs, medicine or alcohol, or if you are prone to dizzy.
- When using a stepladder or power tools, ensure that you follow the manufacturers' safety advice.
- Please consult your local official if any permits are required to install the awning.

Cleaning

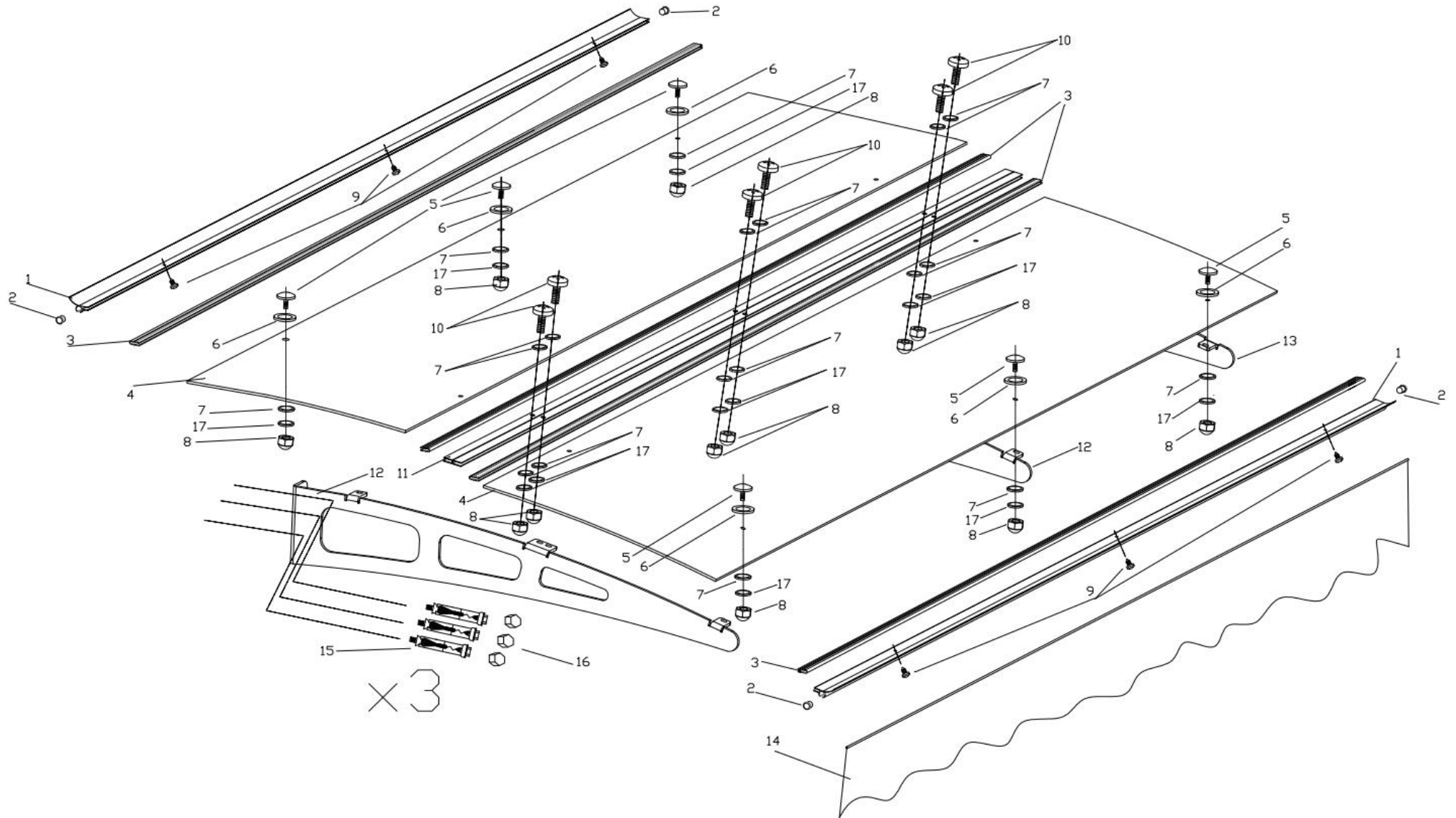
- If your awning need cleaning, clean all falling things, like leaves, branches, dust, etc with a soft brush.
- Use a kind of mild detergent solution and rinse with cold clean water.
- Do not use corrosive, acetone, abrasive cleaners or other special detergent to clean the roof panel.
- Do not use high-pressure water gun to rinse the roof and Aluminum profiles directly.

Note:




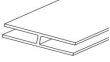
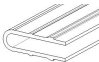
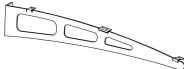





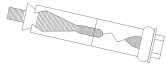

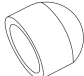
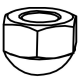


You are solely responsible for determining whether handling, storage, assembly, installation or use of this product is safe and appropriate in any location or for any given application. We are not responsible for any damages or injury to you, any other person or any property resulting from the improper handling, storage, installation, assembly or use of this product, or the failure to follow written instructions. Contact your retailer if any question in time.

EXPLOSIVE DRAWING

7934C



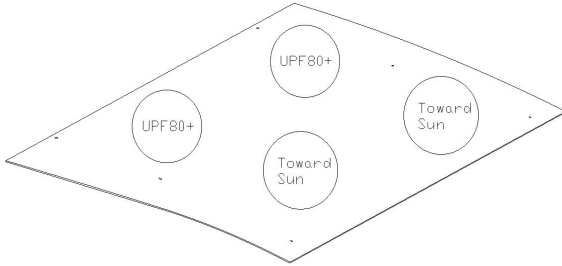
PART LIST

7934C Series									
PART No.	PART NAME	SECTION FIG.	QTY	SIZE	PART No.	PART NAME	SECTION FIG.	QTY	SIZE
1	Front/Back Beam		2	L200cm/L79"	10	Cross Flat Head Screw		6	UNC1/4"xW1/2" x L3/4"
2	Cap of Front/Back Beam		4	D2/5"x25/64"	11	Middle Beam		1	L200cm/L79"
3	Rubber Sealing Strip		4	L200cm/L79"	12	Left Supporting Bracket		2	L78cm/L31"
4	Roof Panel		2	79"x32-1/2" x 0.135"	13	Right Supporting Bracket		1	L78cm/L31"
5	Large Flat Head Screw		6	UNC1/4"x D3/4"x L3/4"	14	Fabric Valance		1	L78"xW6"
6	Big Rubber Sealing Washer		6	D1/4"xD45/64" xT5/64"	15	Masonry Screw		9	UNC5/16"x 3-1/2"
7	Rubber Sealing Washer		18	D1/4"xD25/64" xT1/24"	16	Screw End Cap		9	D3/4"x3/4"
8	Cap Nut		12	UNC1/4"	17	Steel Washer		12	D1/4"xD25/64" xT1/16"
9	Self-tapping Screw		6	UNC1/8"x1/4"					

ASSEMBLY STEPS

Step 1: Roof Kit Assembly

Parts standby



No.4x 2 pcs
Roof Panel

Polycarbonate is specialized in researching and developing polycarbonate series products. We devote our professional and individualized service to international and domestic customers. We introduce complete modern coextrusion line and with the advantage of using Lexan PC resin from Sabic, Panlite PC resin from Teijin in Japan, and Makrolon resin from Bayer in Germany, and Inflex from Samsung in Korea, can provide large ranges of polycarbonate, such as Polycarbonate film, Polycarbonate solid sheet, Frosted sheet, Diffusion sheet, Embossed sheet, Static dissipative sheet, Building polycarbonate sheet and industrial sheet. Besides, we also have optical polycarbonate, flame resistant sheet, Anti-UV sheet (Weatherability resistant), Screenprinting purpose sheet, and general purpose sheet, etc.

Furthermore, with a full series of advanced and professional plastic processing equipment such as: High precision CNC machining center, Laser cutting machines, Precision engraving machines, Silk screen printing machines, constant temperature and humidity chambers, Ultrasonic welding machines, Polishing machines, Press brake machines, Saw cutting machines, Milling machines, Drilling machines, Edge trimmers, etc. We can provide various of custom made plastic secondary operations.

Our processing parts are widely applied in many fields such as Aerospace, train, auto and ship manufacture, plastic mould, machinery enclosure, hardwearing covers, decorative lighting, Clock & Watch, plastic electronics etc. The authentication for our products include ISO9001:2008, ISO14001:2004, ROHS, CE, UL94, TÜV, BSI, etc.

Polycarbonate staff have been following the idea of "Leading quality, Excellent service" and with strong technical strength, high quality professional talents, first-class and efficient management, we set up a good enterprise image.

Looking forward to establishing a long-term cooperation with you!

Polycarbonate (abbreviated PC) characteristics:

1. High transmittance: Max 91%.
2. Impact resistance: PC is high impact resistance material, e.g. 4.5mm thickness sheet is bullet-proof.
3. Good printing: Its easy to be printed with traditional ink, so that pre-treatment on surface is unnecessary.
4. Good flame resistant: UL94V0 or V2 class.
5. Good insulation: Surface resistivity: $10^{10} \sim 10^{11} \Omega$.
6. High heat resistance: Heat deflection temperature of 137.3 degrees Celsius.
7. Widely temperature range: -30°C to 120°C.
8. Excellent sound insulation effect: 25dB decreased by 6mm PC sheet.
9. Good weatherability: anti-UV, 10 years not yellowing.
10. Light weight and toughness: It's light, easy to be installed and for transportation.
11. Flexibility: The microwaved radius is 1/75 times of the board thickness.
12. Energy saving: heat insulation effect.
13. Excellent anti-frost performance.

PC
polycarbonate sheet

Polycarbonate is specialized in researching and developing polycarbonate series products. We devote our professional and individualized service to international and domestic customers. We introduce complete modern coextrusion line and with the advantage of using Lexan PC resin from Sabic, Panlite PC resin from Teijin in Japan, and Makrolon resin from Bayer in Germany, and Inflex from Samsung in Korea, can provide large ranges of polycarbonate, such as Polycarbonate film, Polycarbonate solid sheet, Frosted sheet, Diffusion sheet, Embossed sheet, Static dissipative sheet, Building polycarbonate sheet and industrial sheet. Besides, we also have optical polycarbonate, flame resistant sheet, Anti-UV sheet (Weatherability resistant), Screenprinting purpose sheet, and general purpose sheet, etc.

Furthermore, with a full series of advanced and professional plastic processing equipment such as: High precision CNC machining center, Laser cutting machines, Precision engraving machines, Silk screen printing machines, constant temperature and humidity chambers, Ultrasonic welding machines, Polishing machines, Press brake machines, Saw cutting machines, Milling machines, Drilling machines, Edge trimmers, etc. We can provide various of custom made plastic secondary operations.

Our processing parts are widely applied in many fields such as Aerospace, train, auto and ship manufacture, plastic mould, machinery enclosure, hardwearing covers, decorative lighting, Clock & Watch, plastic electronics etc. The authentication for our products include ISO9001:2008, ISO14001:2004, ROHS, CE, UL94, TÜV, BSI, etc.

Polycarbonate staff have been following the idea of "Leading quality, Excellent service" and with strong technical strength, high quality professional talents, first-class and efficient management, we set up a good enterprise image.

Looking forward to establishing a long-term cooperation with you!

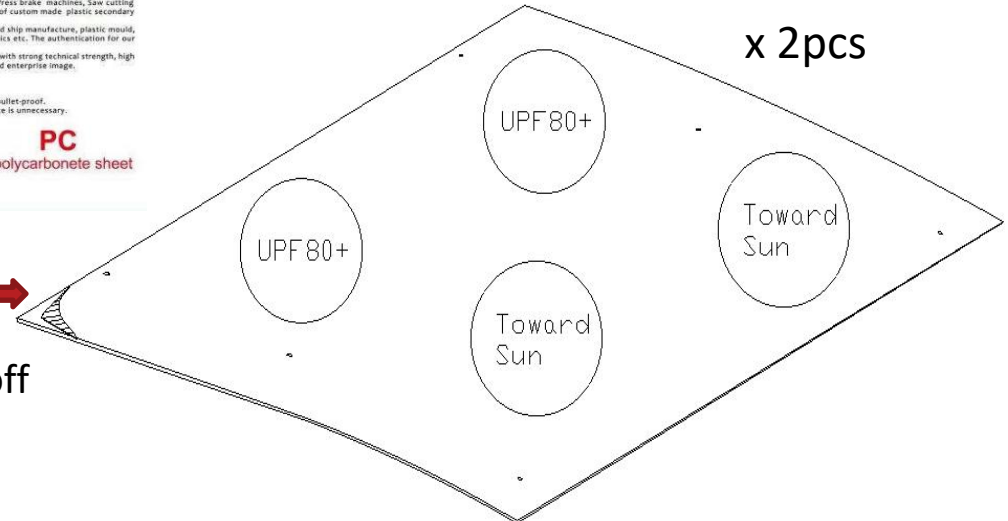
Polycarbonate (abbreviated PC) characteristics:

1. High transmittance: Max 91%.
2. Impact resistance: PC is high impact resistance material, e.g. 4.5mm thickness sheet is bullet-proof.
3. Good printing: Its easy to be printed with traditional ink, so that pre-treatment on surface is unnecessary.
4. Good flame resistant: UL94V0 or V2 class.
5. Good insulation: Surface resistivity: $10^{10} \sim 10^{11} \Omega$.
6. High heat resistance: Heat deflection temperature of 137.3 degrees Celsius.
7. Widely temperature range: -30°C to 120°C.
8. Excellent sound insulation effect: 25dB decreased by 6mm PC sheet.
9. Good weatherability: anti-UV, 10 years not yellowing.
10. Light weight and toughness: It's light, easy to be installed and for transportation.
11. Flexibility: The microwaved radius is 1/75 times of the board thickness.
12. Energy saving: heat insulation effect.
13. Excellent anti-frost performance.

PC
polycarbonate sheet



Tear off



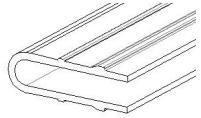
① Please note the roof panel is film coated on both surfaces. The surface printed specification information **MUST** be toward sun when installation.

② Tear off two side films before installation.

ASSEMBLY STEPS

Step 1: Roof Kit Assembly

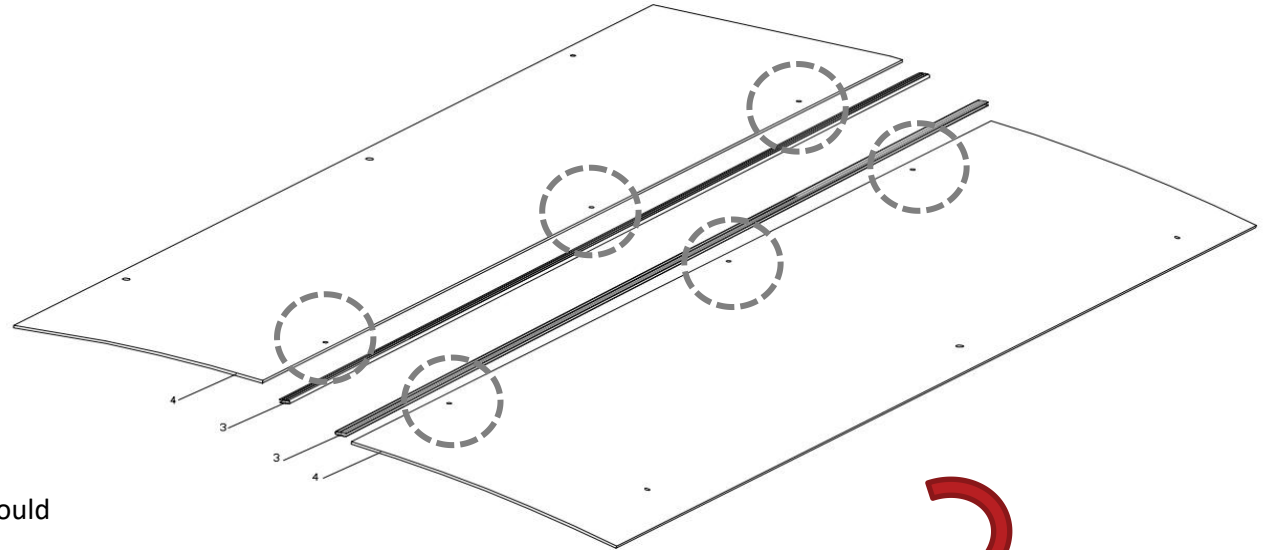
Parts standby



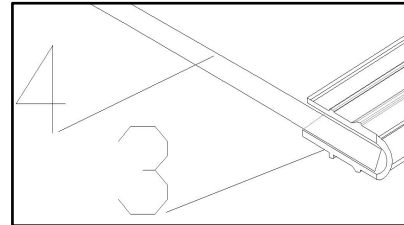
No.3x 2 pcs
Rubber Sealing Strip



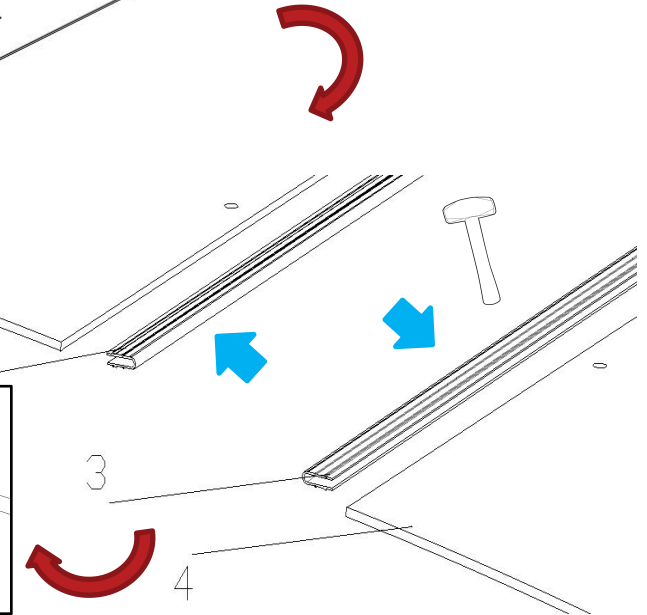
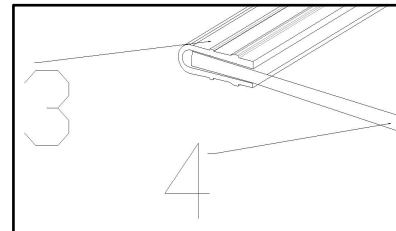
No.4x 2 pcs
Roof Panel



③ Here the 6 holes closer to edge of panels should be inside for fixing middle beam.



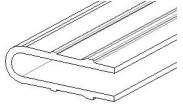
④ Cap the part #3 rubber sealing strips into edge of panels. 1 piece rubber sealing strip for 1 panel.



ASSEMBLY STEPS

Step 1: Roof Kit Assembly

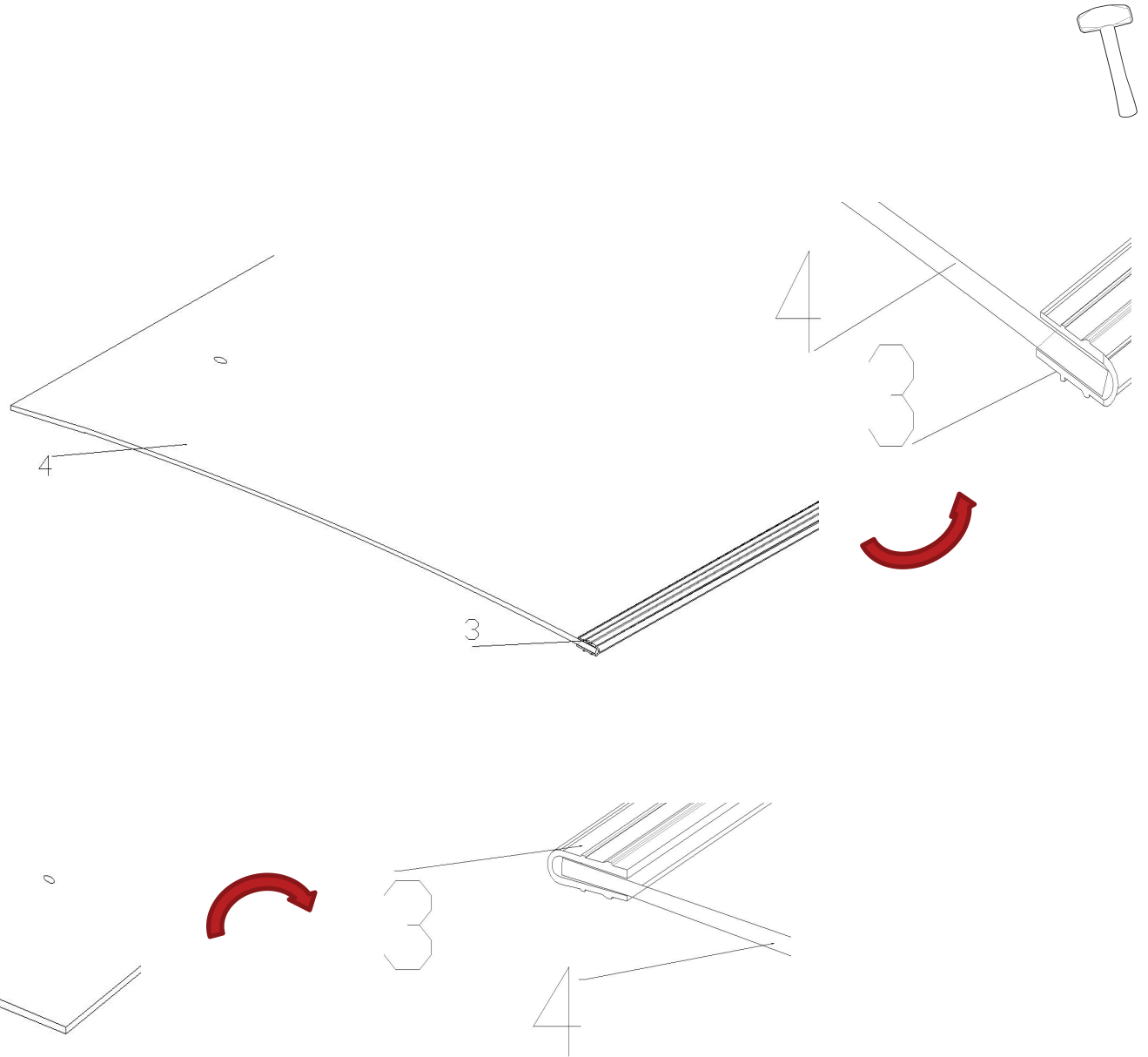
Parts standby



No.3x 4 pcs
Rubber Sealing Strip



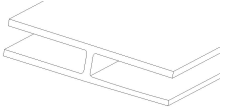
No.4x 2 pcs
Roof Panel



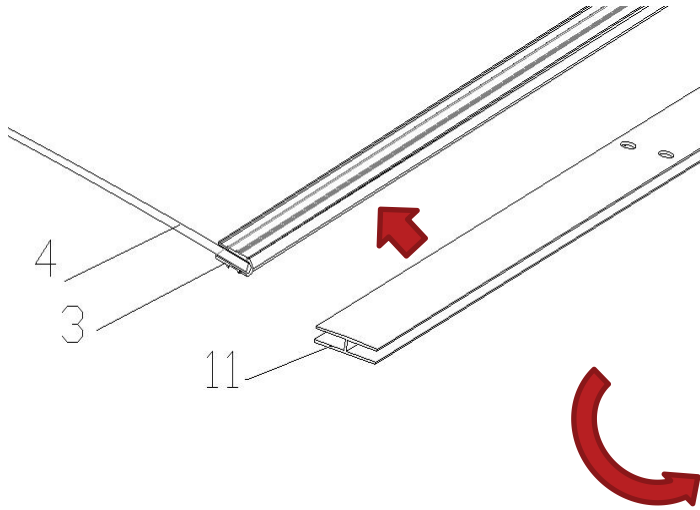
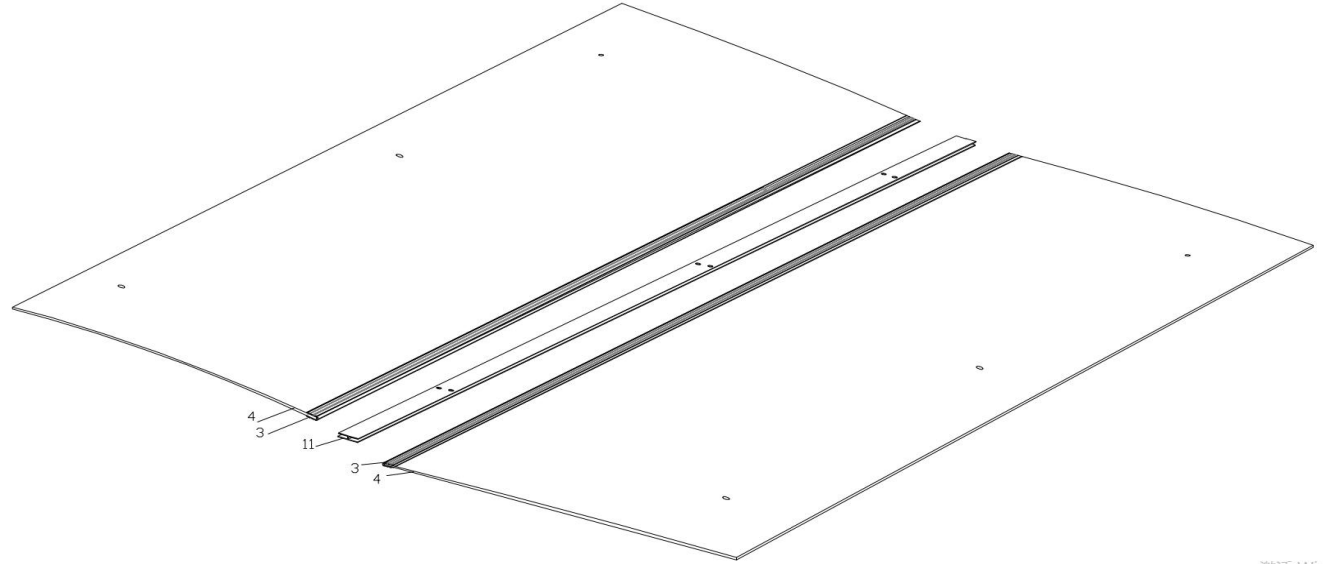
ASSEMBLY STEPS

Step 1: Roof Kit Assembly

Parts standby

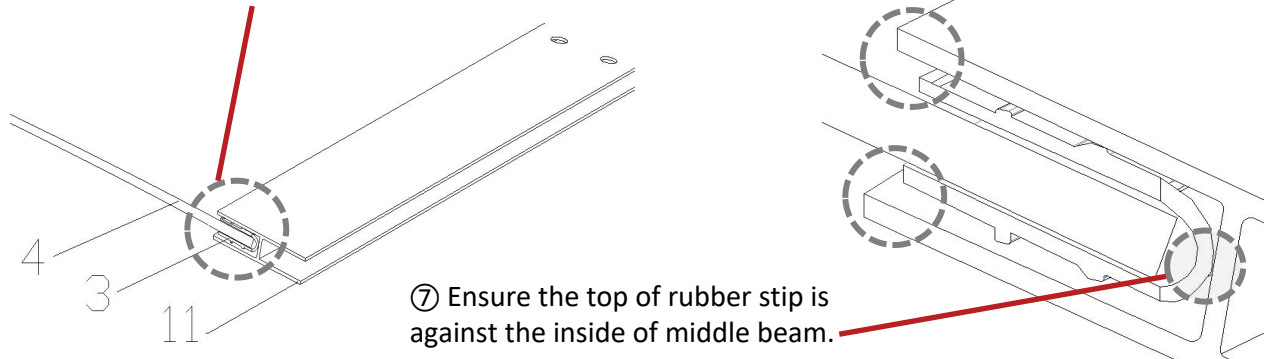


No.11x 1 pc
Middle Beam



⑤ Cap the part #11 middle beam into edge of rubber strip #3 and panel #4 kit.

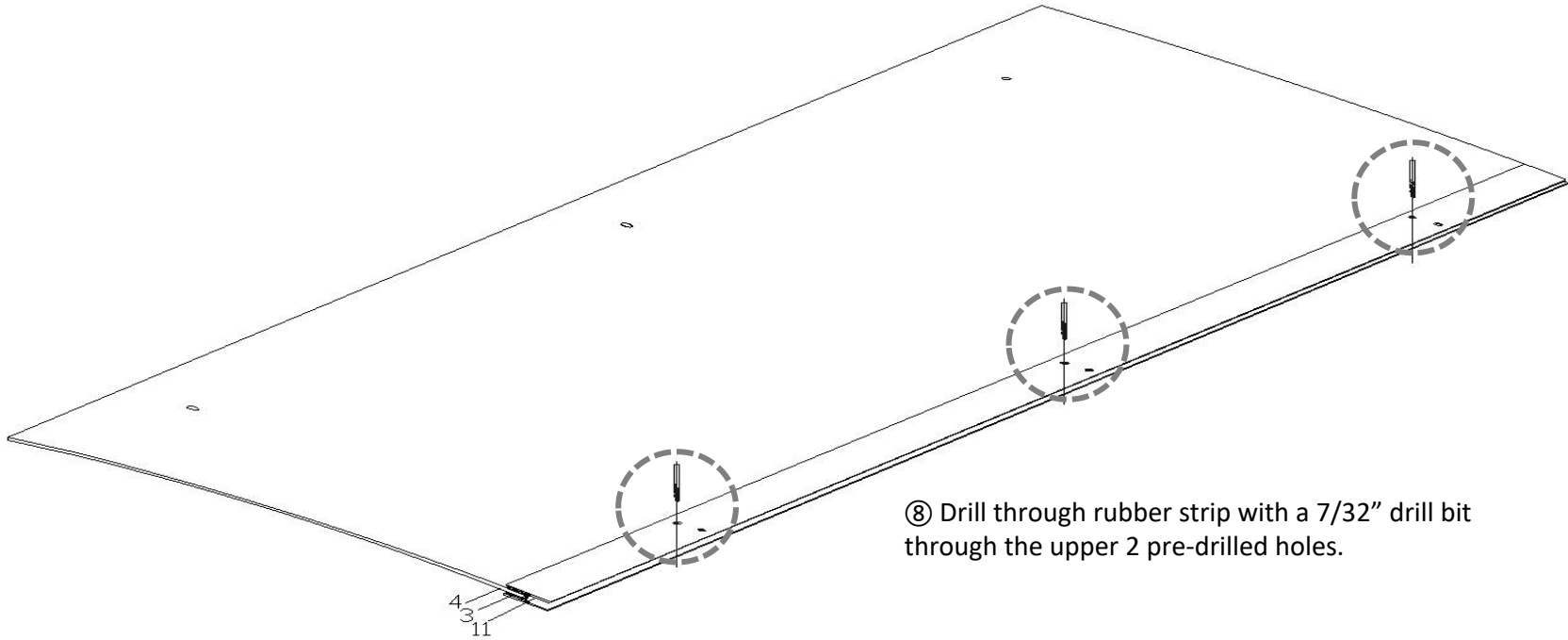
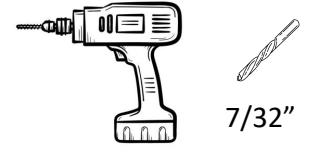
⑥ Make sure the cut side of rubber strip, roof panel, and middle beam is aligned.



⑦ Ensure the top of rubber strip is against the inside of middle beam.

ASSEMBLY STEPS

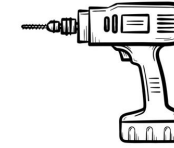
Step 1: Roof Kit Assembly



⑧ Drill through rubber strip with a 7/32" drill bit through the upper 2 pre-drilled holes.

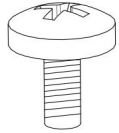
ASSEMBLY STEPS

Step 1: Roof Kit Assembly



7/32"

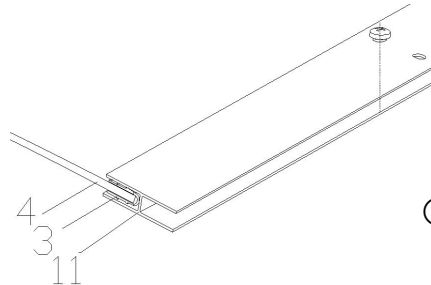
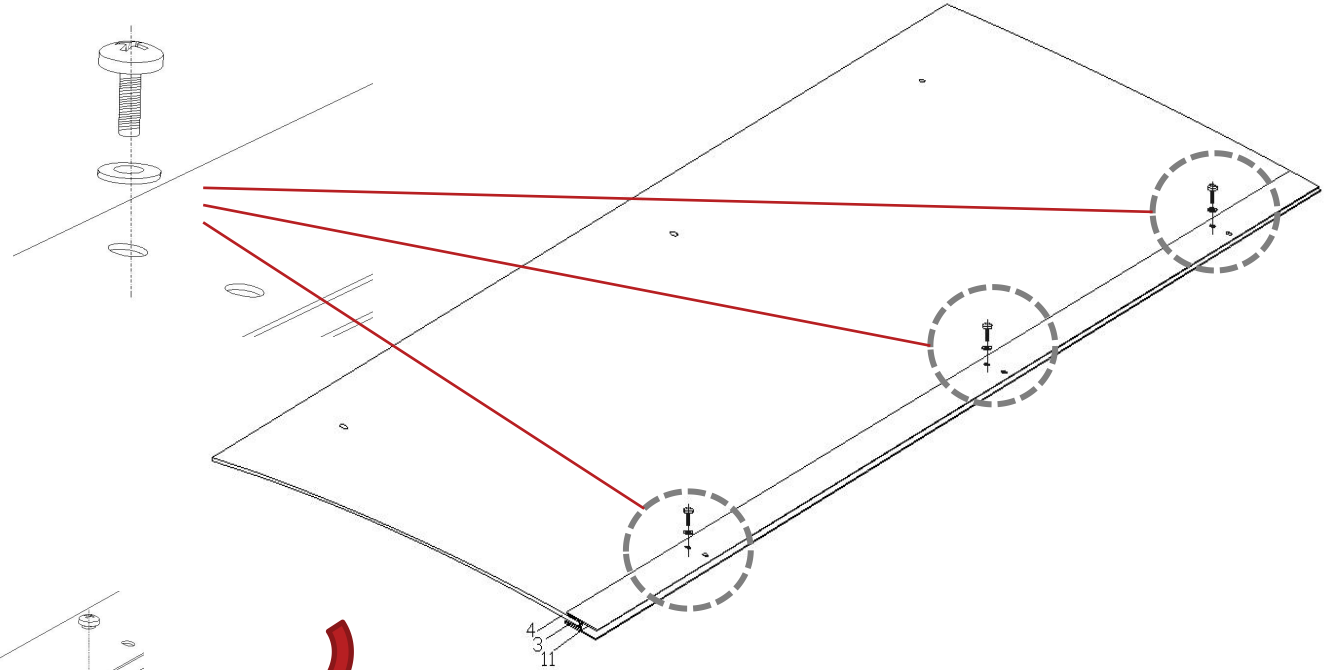
Parts standby



No.10x 3 pcs
Cross Flat Head
Screw



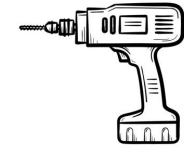
No.7x 3 pcs
Sealing Washer



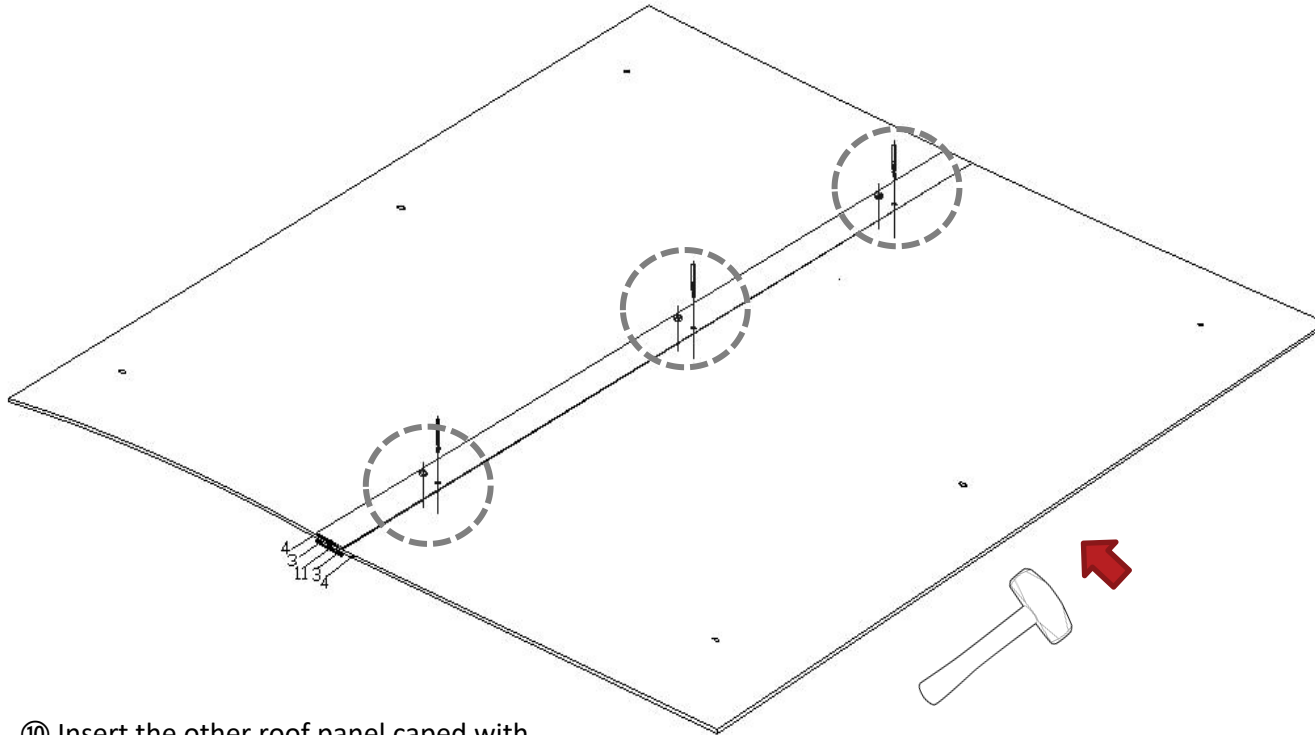
⑨ Insert cross flat head screw #10 with 1 sealing washer #7 into through the pre-drilled holes.

ASSEMBLY STEPS

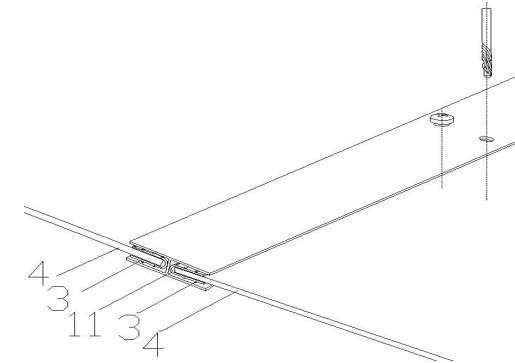
Step 1: Roof Kit Assembly



7/32"



⑩ Insert the other roof panel capped with rubber strip into middle beam #11. User wooden or rubber hampper if necessary.



⑪ Drill through the rubber strip #3 through the 2 pre-drilled holes. Please note the drill bit should go through from upper surface to bottom surface of middle beam.

ASSEMBLY STEPS

Step 1: Roof Kit Assembly

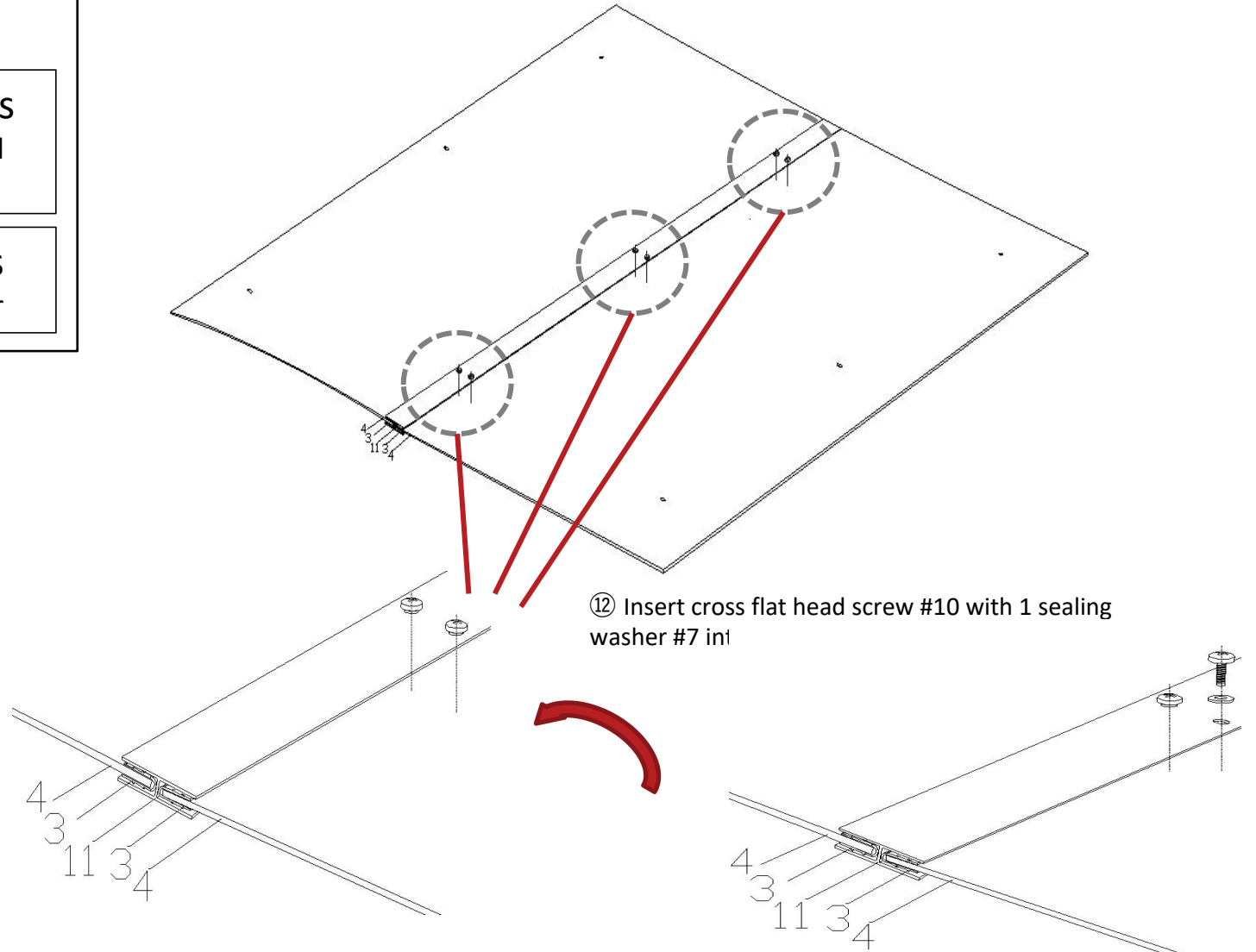
Parts standby



No.10x 3 pcs
Cross Flat Head
Screw



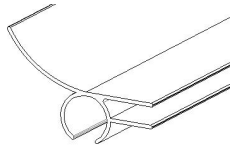
No.7x 3 pcs
Sealing Washer



ASSEMBLY STEPS

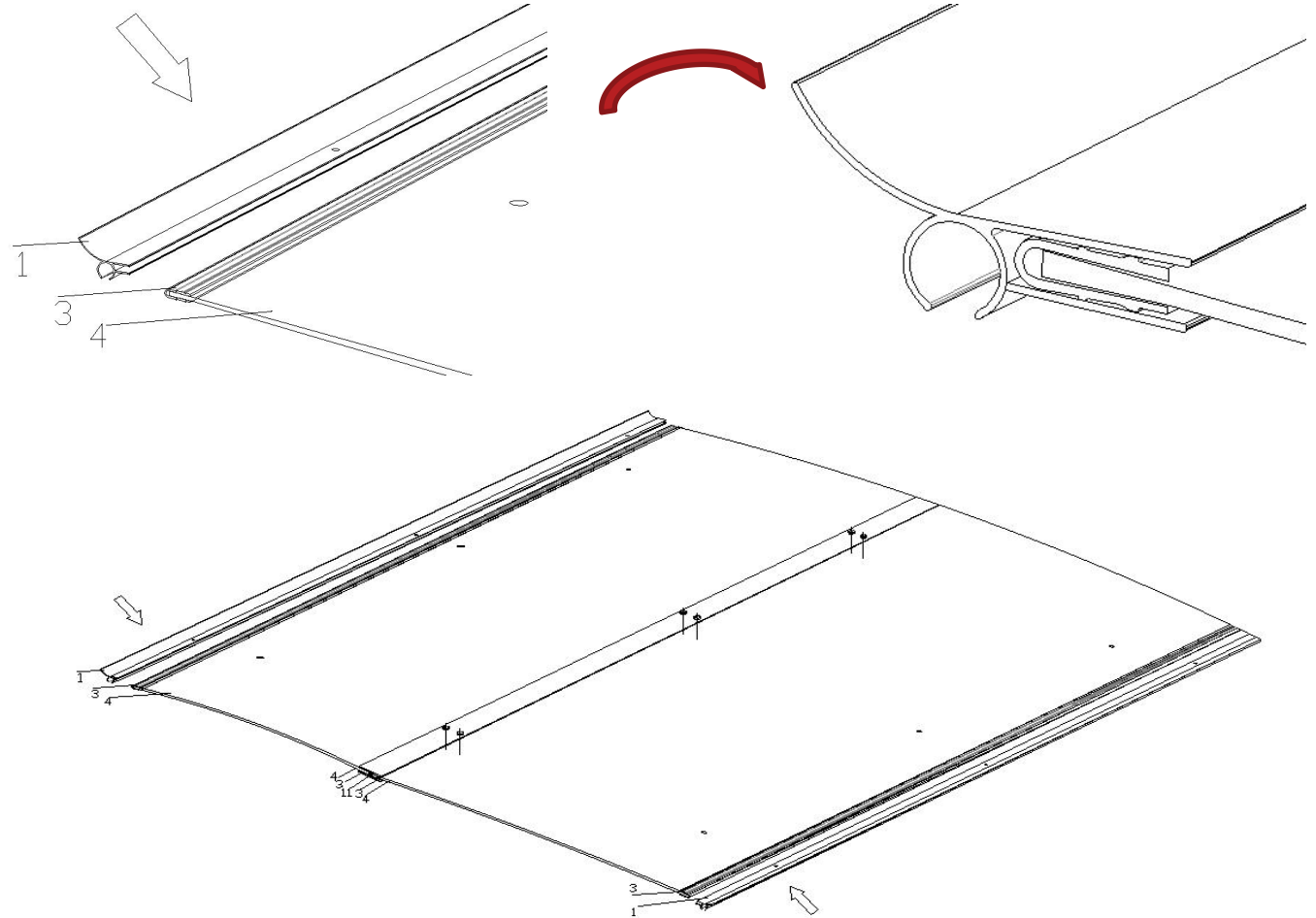
Step 1: Roof Kit Assembly

Parts standby



No.1x 2 pcs
Front/Rear Beam

⑬ Cap the front/rear beam #1 into the rubber sealing strip & roof panel kit (the group of #3) in the same way.



ASSEMBLY STEPS

Step 1: Roof Kit Assembly

Parts standby



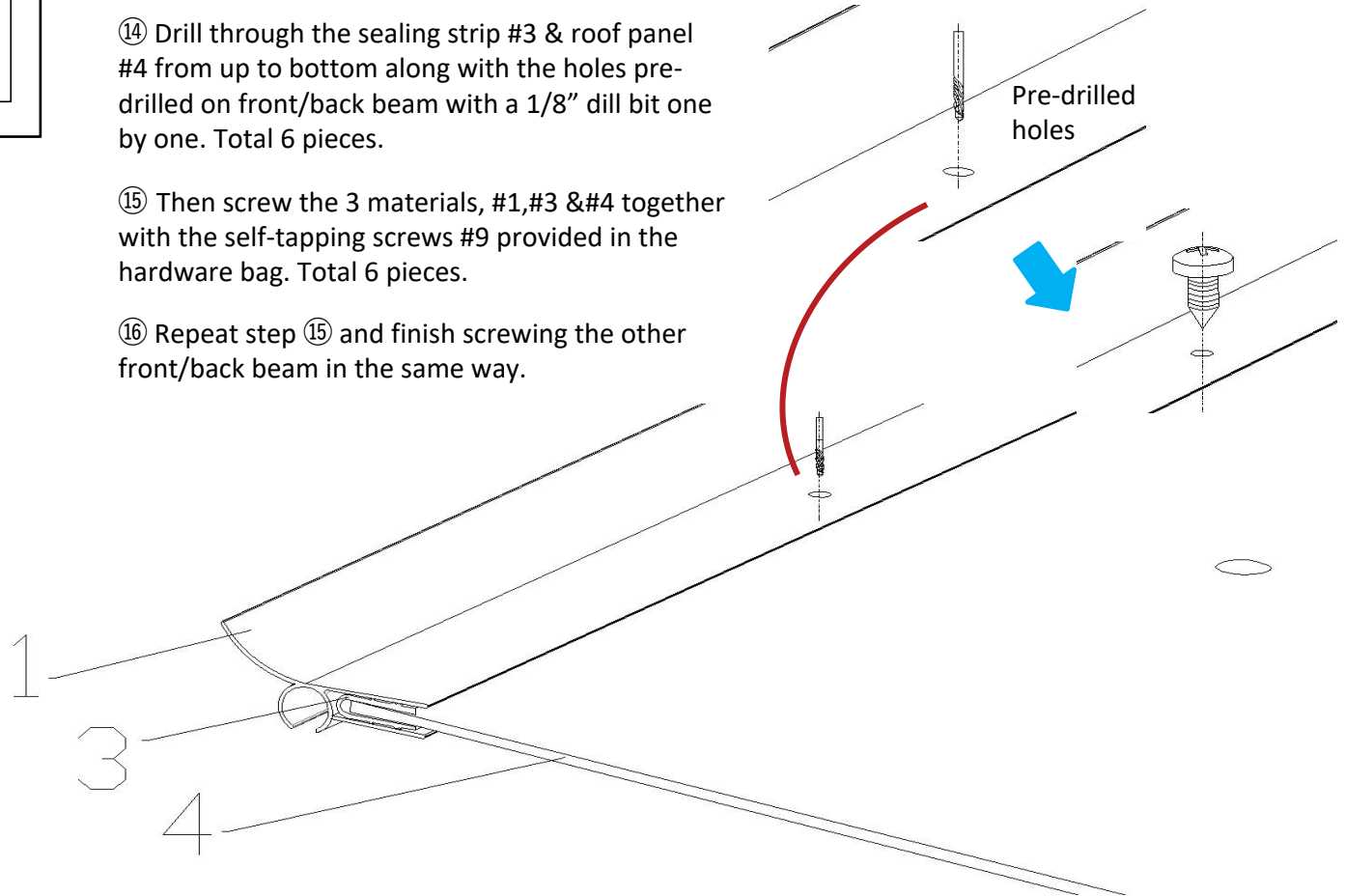
No.9x 6 pcs
Self-tapping Screw



⑭ Drill through the sealing strip #3 & roof panel #4 from up to bottom along with the holes pre-drilled on front/back beam with a 1/8" drill bit one by one. Total 6 pieces.

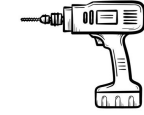
⑮ Then screw the 3 materials, #1, #3 & #4 together with the self-tapping screws #9 provided in the hardware bag. Total 6 pieces.

⑯ Repeat step ⑮ and finish screwing the other front/back beam in the same way.



ASSEMBLY STEPS

Step 1: Roof Kit Assembly

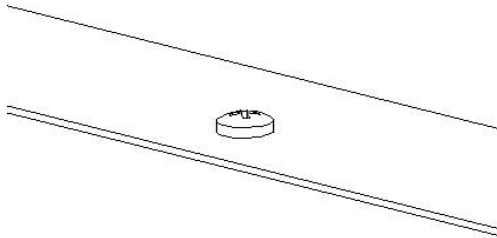
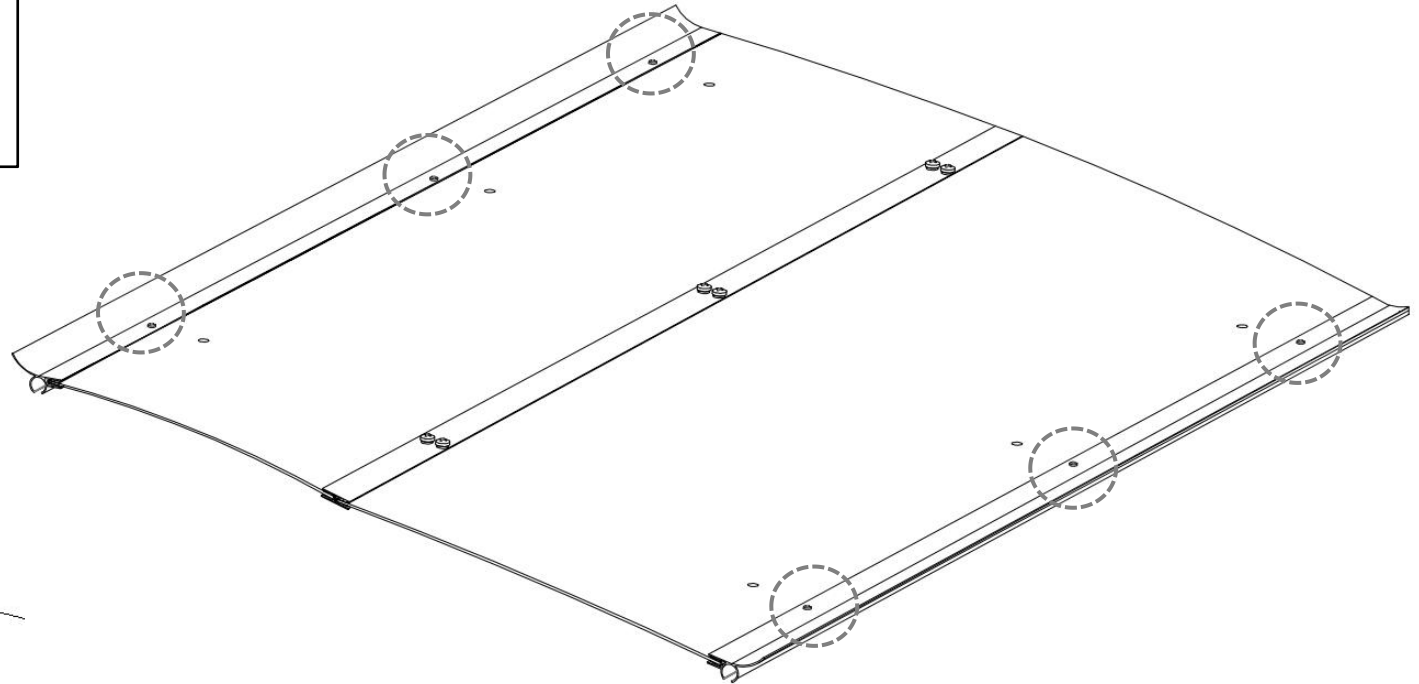


1/8"

Parts standby

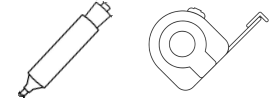


No.9x 6 pcs
Self-tapping Screw

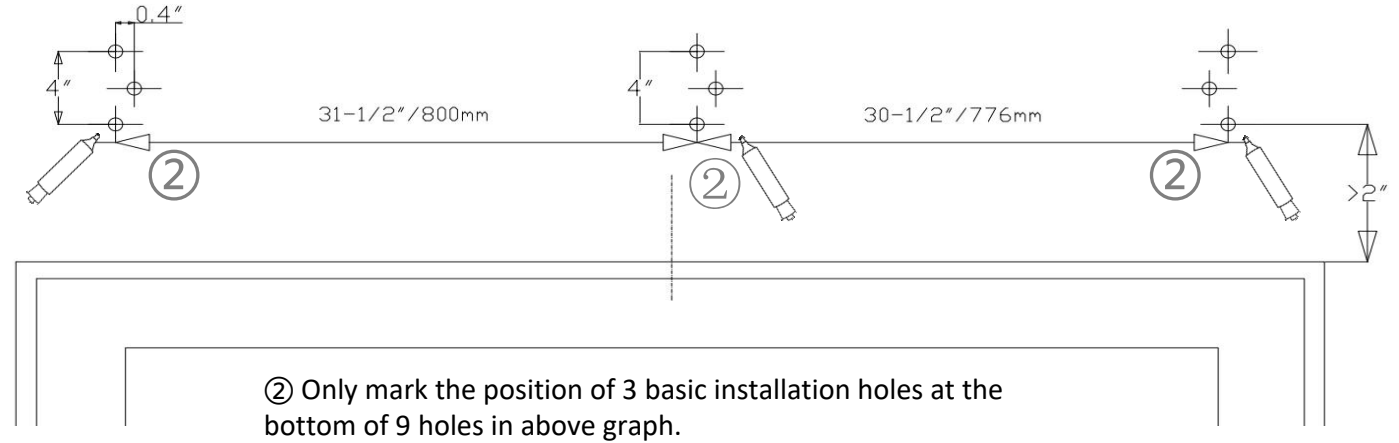
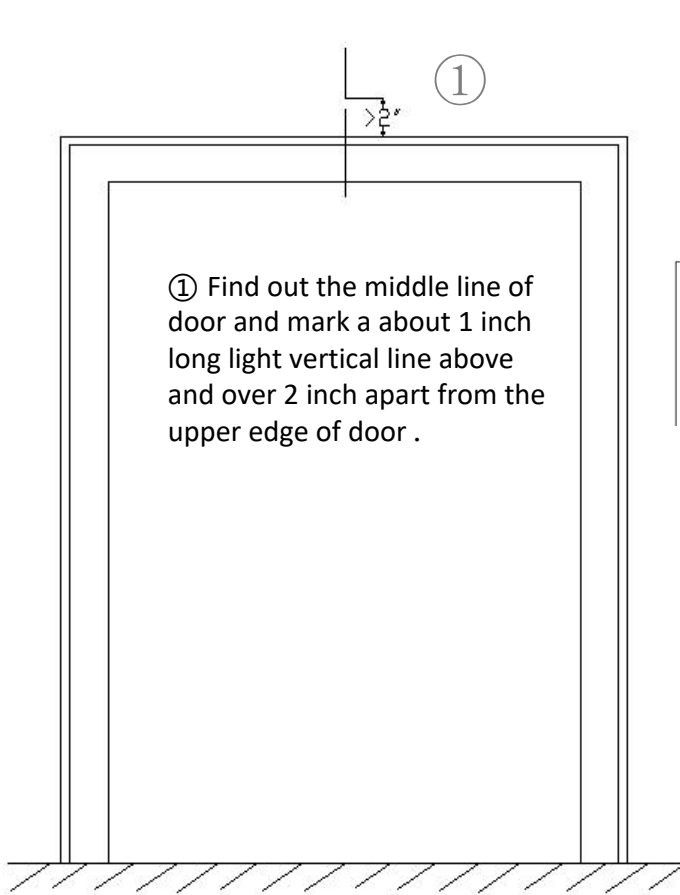


⑰ Now the roof panel is ready for standing by.

ASSEMBLY STEPS

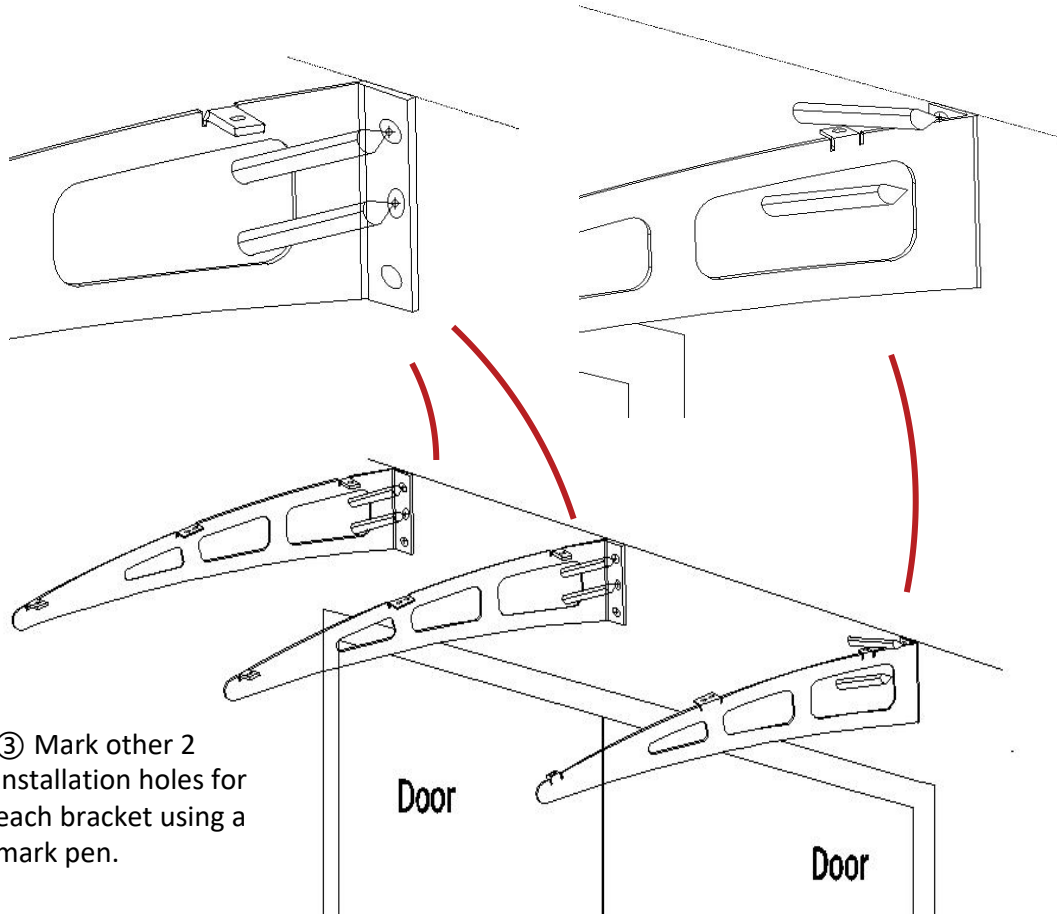
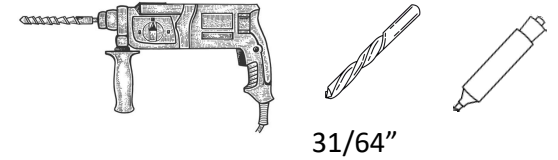


Step 2: Supporting Bracket Installation

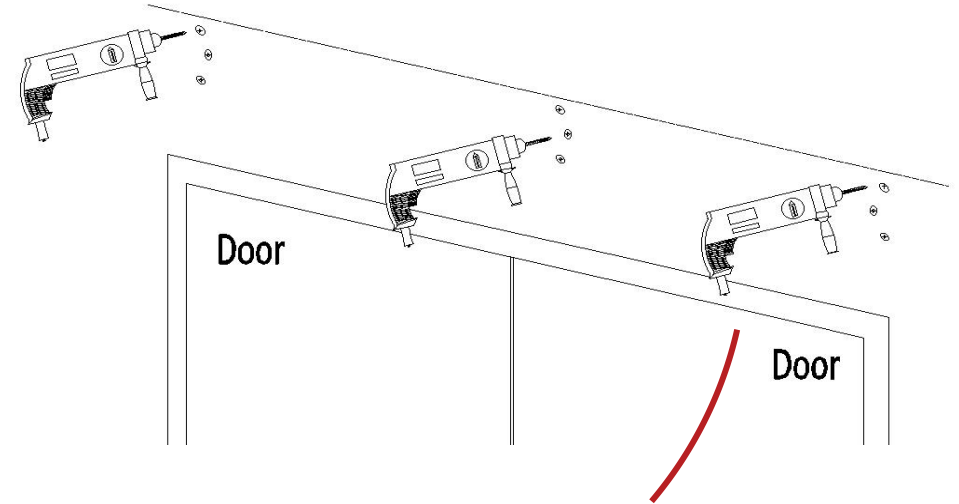


ASSEMBLY STEPS

Step 2: Supporting Bracket Installation



③ Mark other 2 installation holes for each bracket using a mark pen.



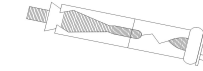
④ Drill the 9 installation (3 holes for each bracket) holes on marked positions with electric hammer equipped diameter 31/64 inch drill bit about 4 inch deep.

ASSEMBLY STEPS

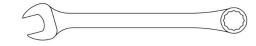
Step 2: Supporting Bracket Installation



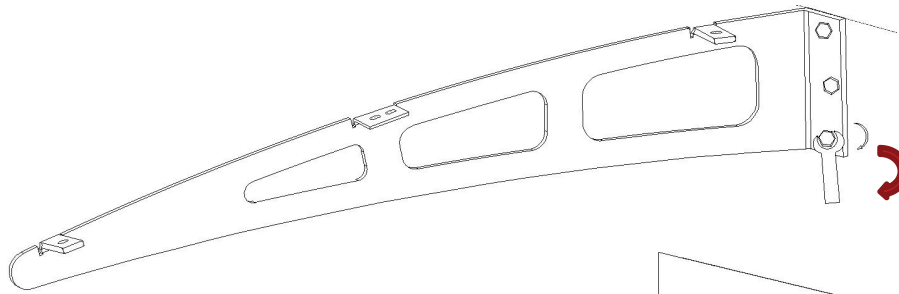
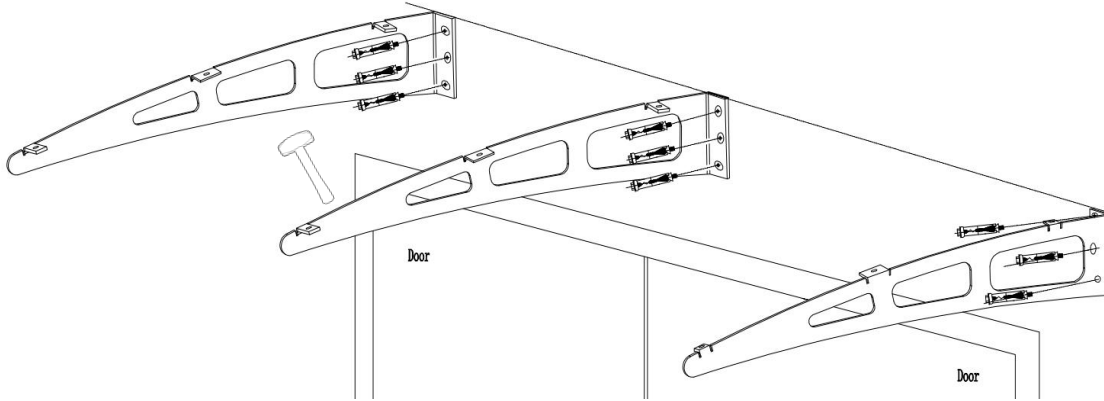
#16 x 9pcs



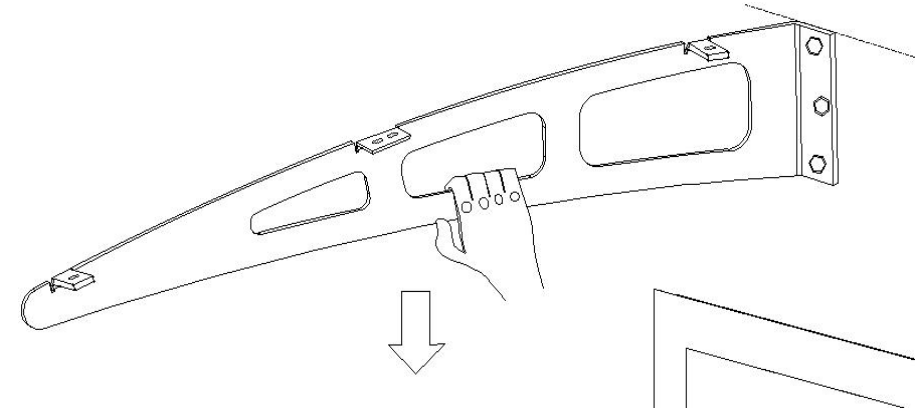
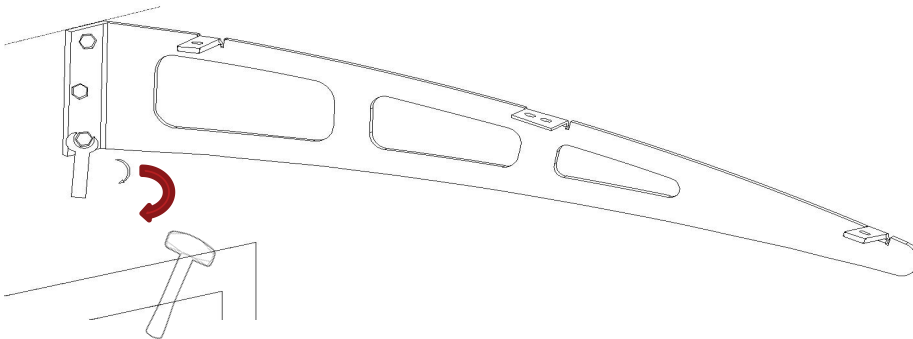
#15 x 9pcs



9/16"

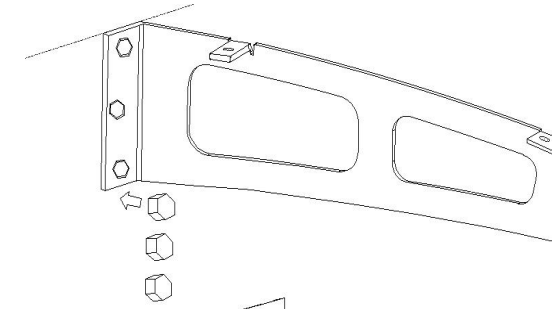


⑥ Insert and knock all of the 9 bolts #15 into drilled holes one by one, then tighten them in clockwise.



⑦ Pull the brackets downward hard to check whether they're fixed securely or not.

If they are not secure enough, the bolts might be not tightened. You need check and tighten them.



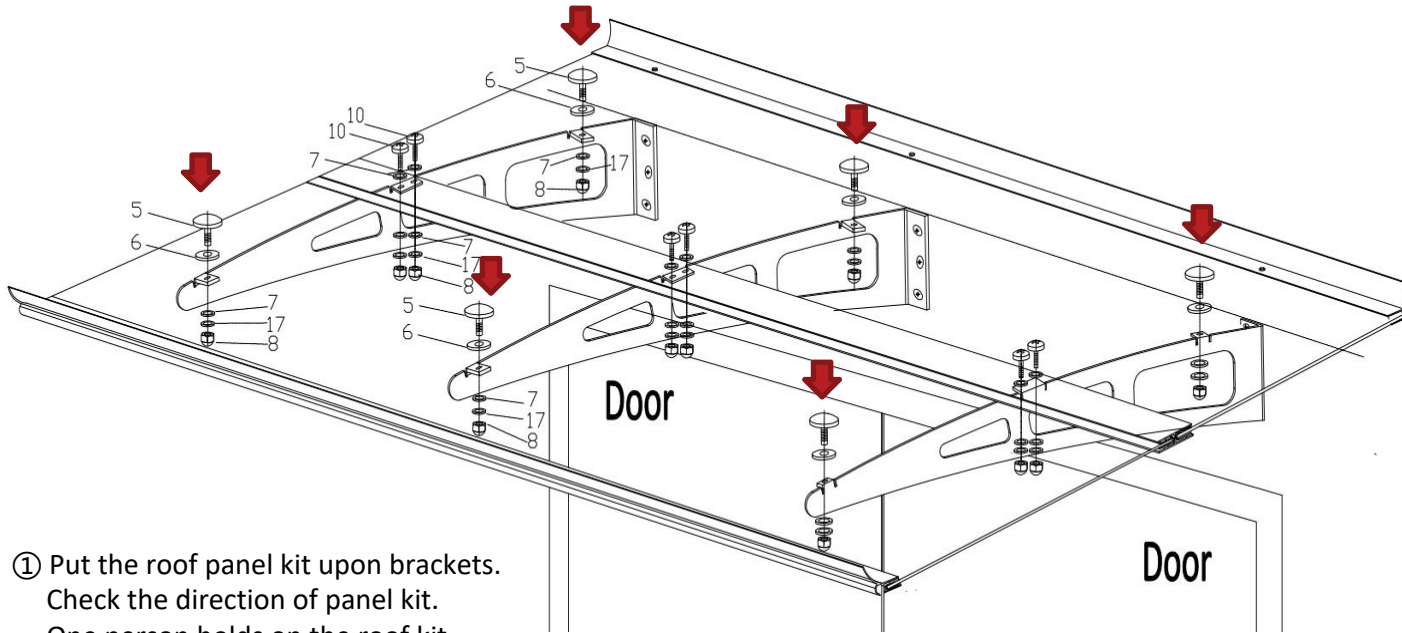
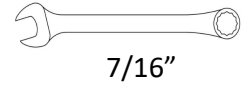
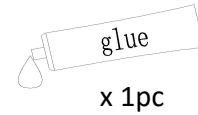
⑧ Cap all bolts with the plastic bolt caps #16 included in hardware bag if the 2 brackets are secure.

ASSEMBLY STEPS

Step 3: Roof Panel Kit Installation

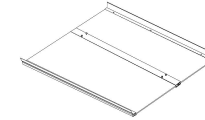
How does the glue work?

- The glue is a gift, not a part of product.
- The glue is able to ensure the roof screws avoiding loosening after years of using, against wind and snow.
- It's not a necessary step to drip the glue, but it'll be better if used it.

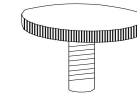


- ① Put the roof panel kit upon brackets. Check the direction of panel kit. One person holds on the roof kit.

Parts standby



Roof Panel Kit x 1pc



No. 5x 6 pcs
Large Flat Head Screw



No. 6x 6 pcs
Big Rubber Washer



No. 7x 12 pcs
Rubber Washer



No. 17x 12 pcs
Steel Washer



No. 8x 12 pcs
Cap Nut

ASSEMBLY STEPS

Step 3: Roof Panel Kit Installation

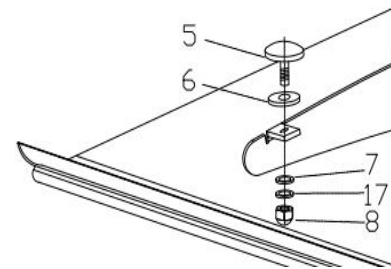
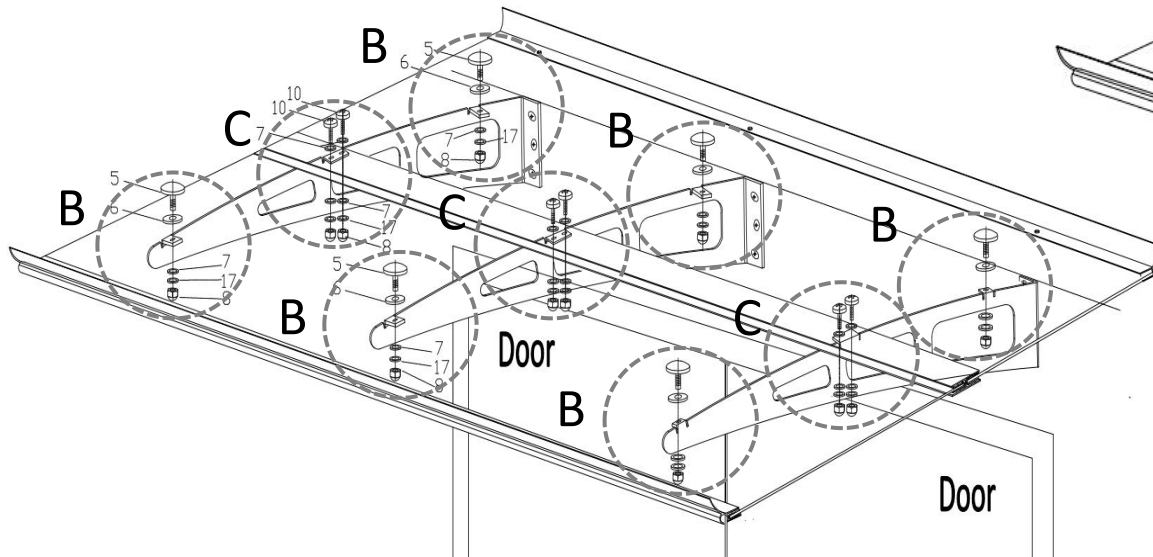
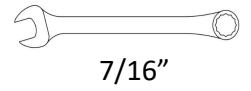
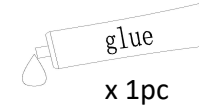
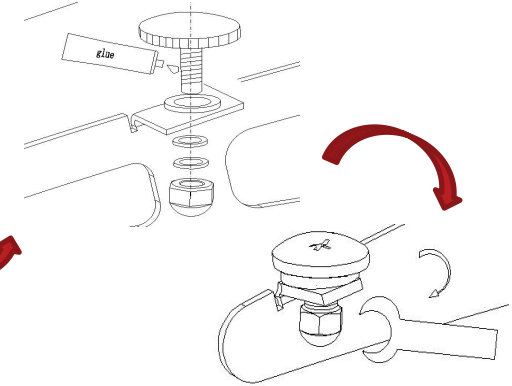


Fig. B



② Tighten the 6 big flat head screws & nuts (2 pieces on each bracket). - Fig. B.

③ Insert cross flat screw #10 & sealing washer #7 into through the holes on bracket.

Tighten the 6 screws with 1 small rubber washer #7 & 1 cap nut #8 for each screw (2 pieces on every bracket). - Fig. C

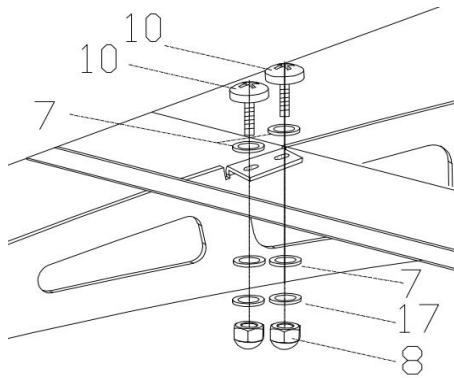
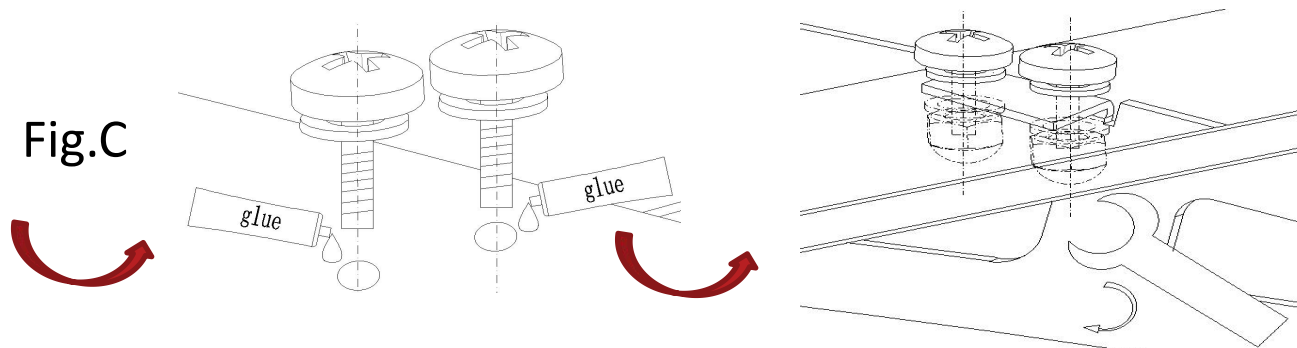
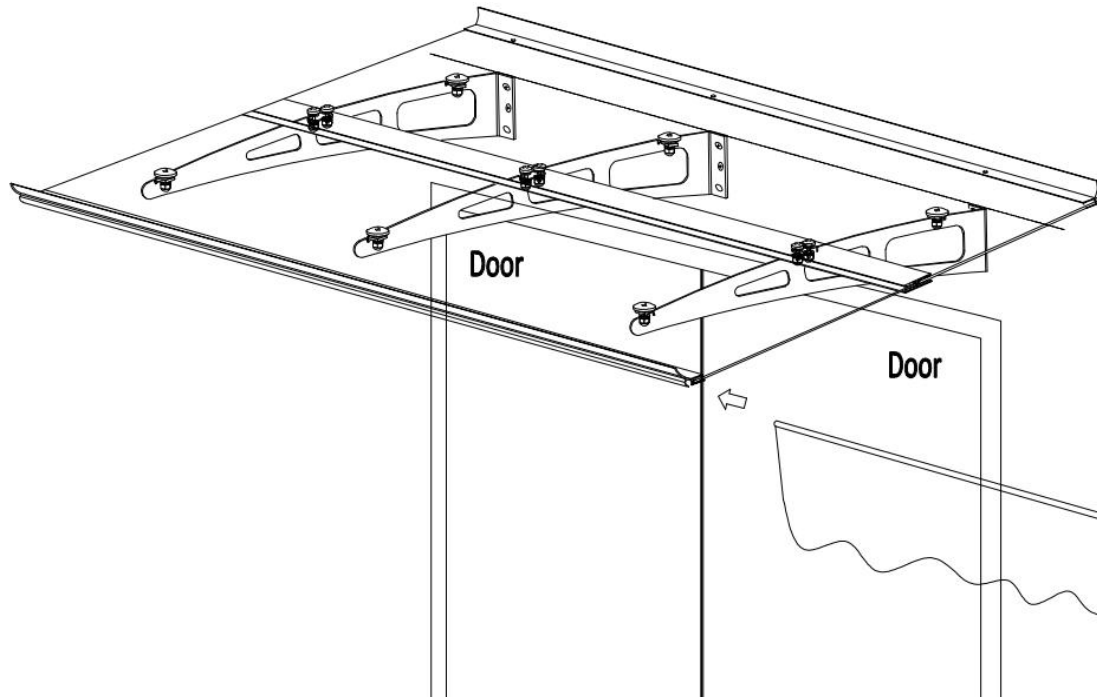


Fig. C

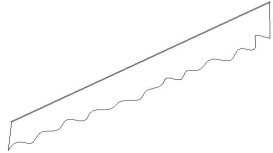
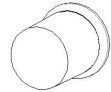


ASSEMBLY STEPS

Step 4: Valance Installation



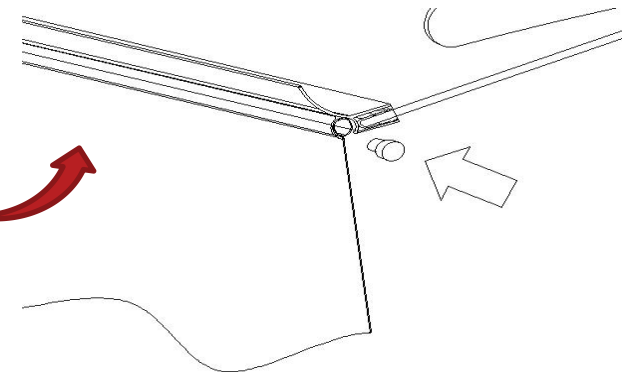
Parts standby

	No.14x 1 pc Fabric Valance
	No.2x 4 pcs Front/Back Beam End Cap

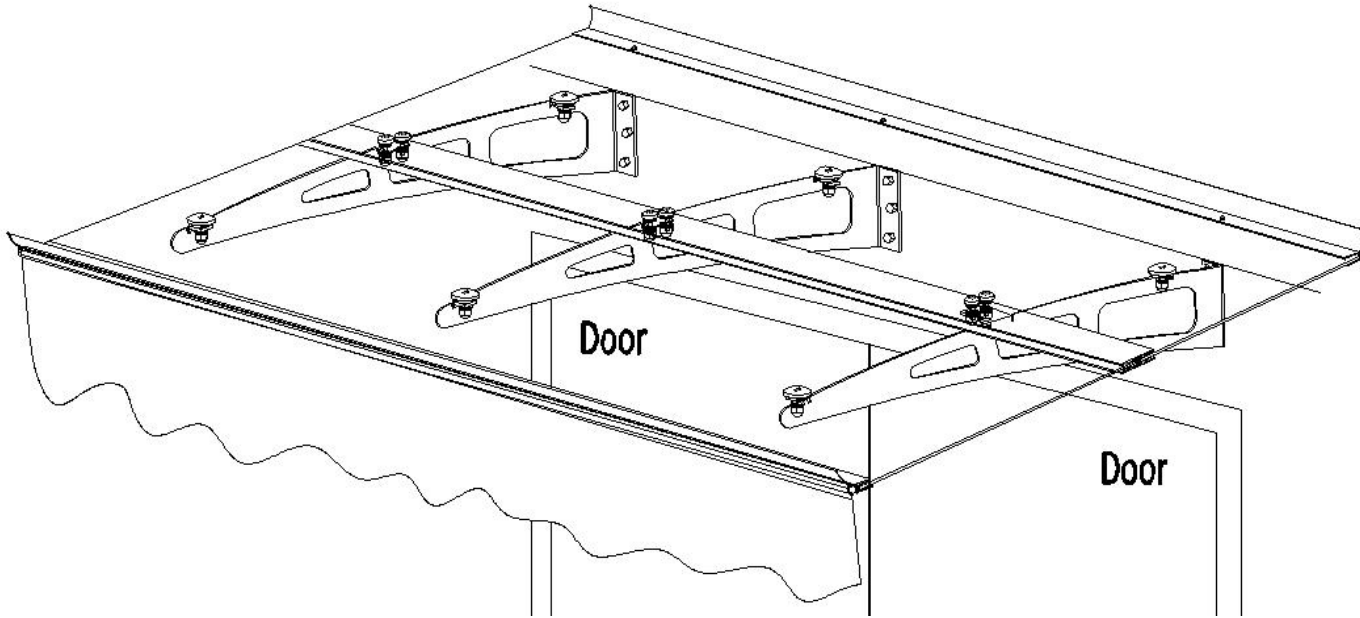
② Cap 4 end caps of front/back beams on each end.

① The Valance is an optional part of the awning. If you don't like it, you don't need to install it.

Insert the valance into the front beam of awning if you like it.



Well done! Congratulation!



You've completed all steps of installation.
Great Job!