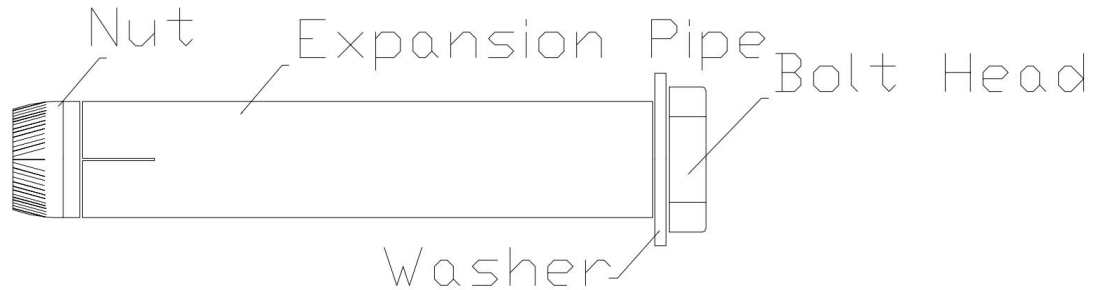
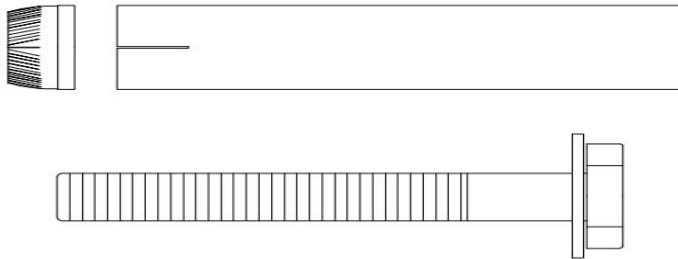


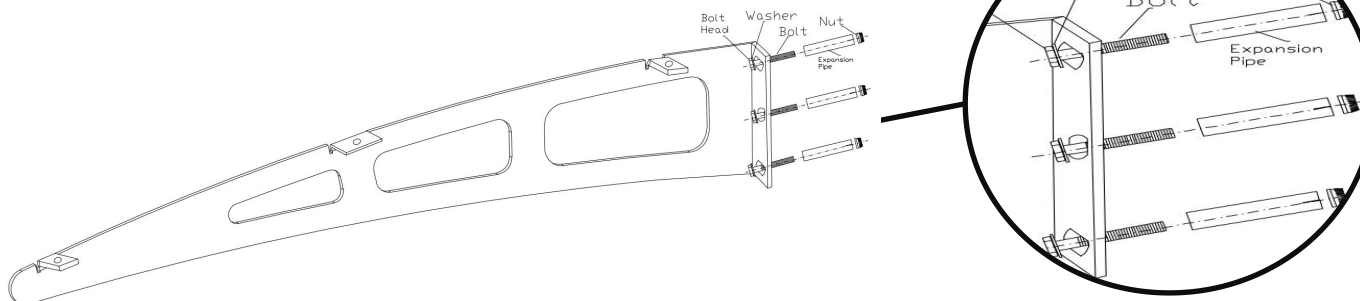
## How to install the masonry screw



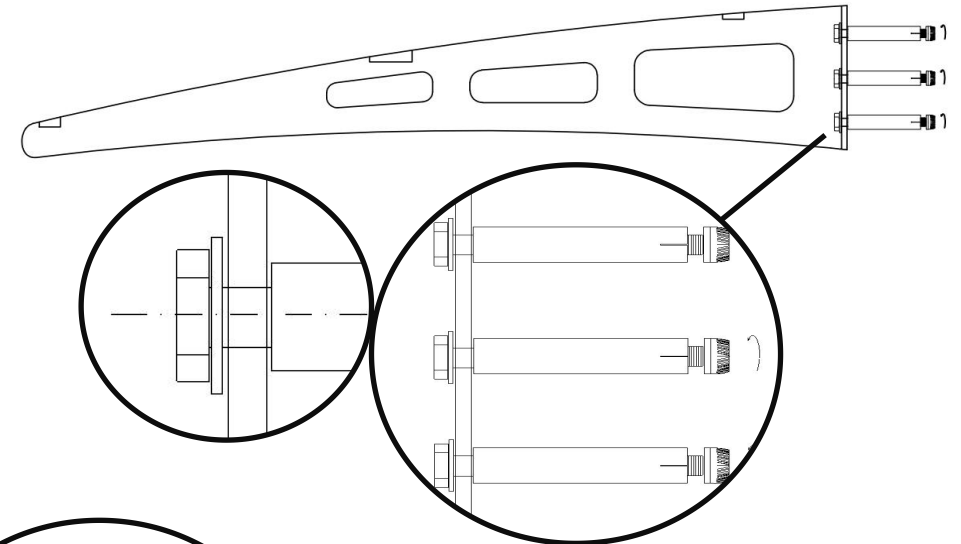
Step ①: One hand hold the nut on the left, then other hand turns the bolt head in anti-clockwise to loose the bolt out of nut completely. Now the masonry screw is separated in 3 main parts, nut, expansion pipe and washer & bolt kit.



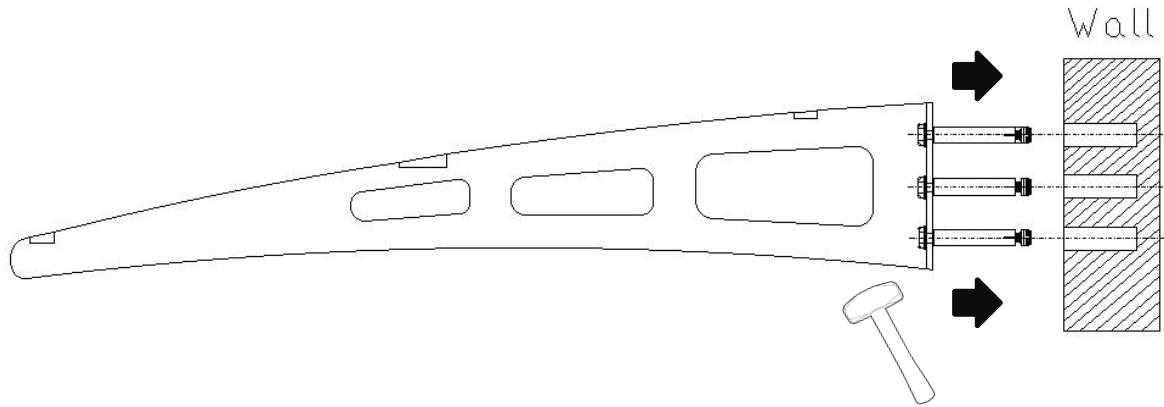
Step ②: Insert the 3 pieces bolt & washer kit into the installation holes one by one according to below graphic.



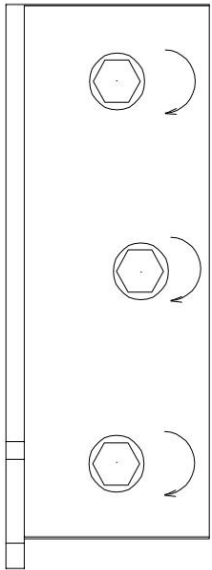
Step ③: Jam the bracket between washer and expansion pipe, then one hand grasps bolt head, washer and bracket, the other hand locks the bolt by turning the nut in clockwise.



## How to install the masonry screw



④ Insert & knock the 3 pieces expansion bolts into the holes drilled.



⑤ Tighten all expansion bolts by wrench by turning in clockwise.

⑥ Pull the brackets downward hard to check whether they're fixed securely or not. If they are not secure enough, the bolts might be not tightened. You need check and tighten them.

