

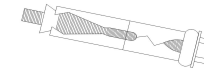
Door Awning

5934C Series

W59"xD34" / W1500xD870mm

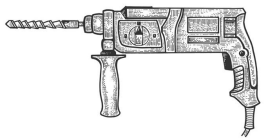
Assembly Instruction

Only for masonry house

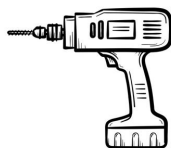


x 2 PERSONS
TEAM WORK

Tools needed, not included.



Electric Hammer



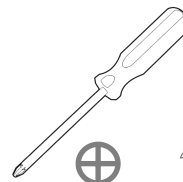
Electric Screw
Driver



1/8", 7/32", 31/64"
Driller Bits



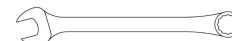
Protection
Goggles



Cross
Screwdriver



5 FEET
Tape Ruler



7/16", 9/16"
Spanner



Wooden
Hammer



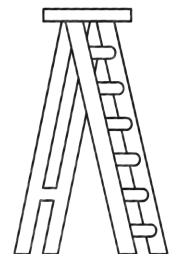
Mark
Pen



Helmet



Gloves



Ladder

Safety Advice & Cleaning

Advices on Safety before assembly

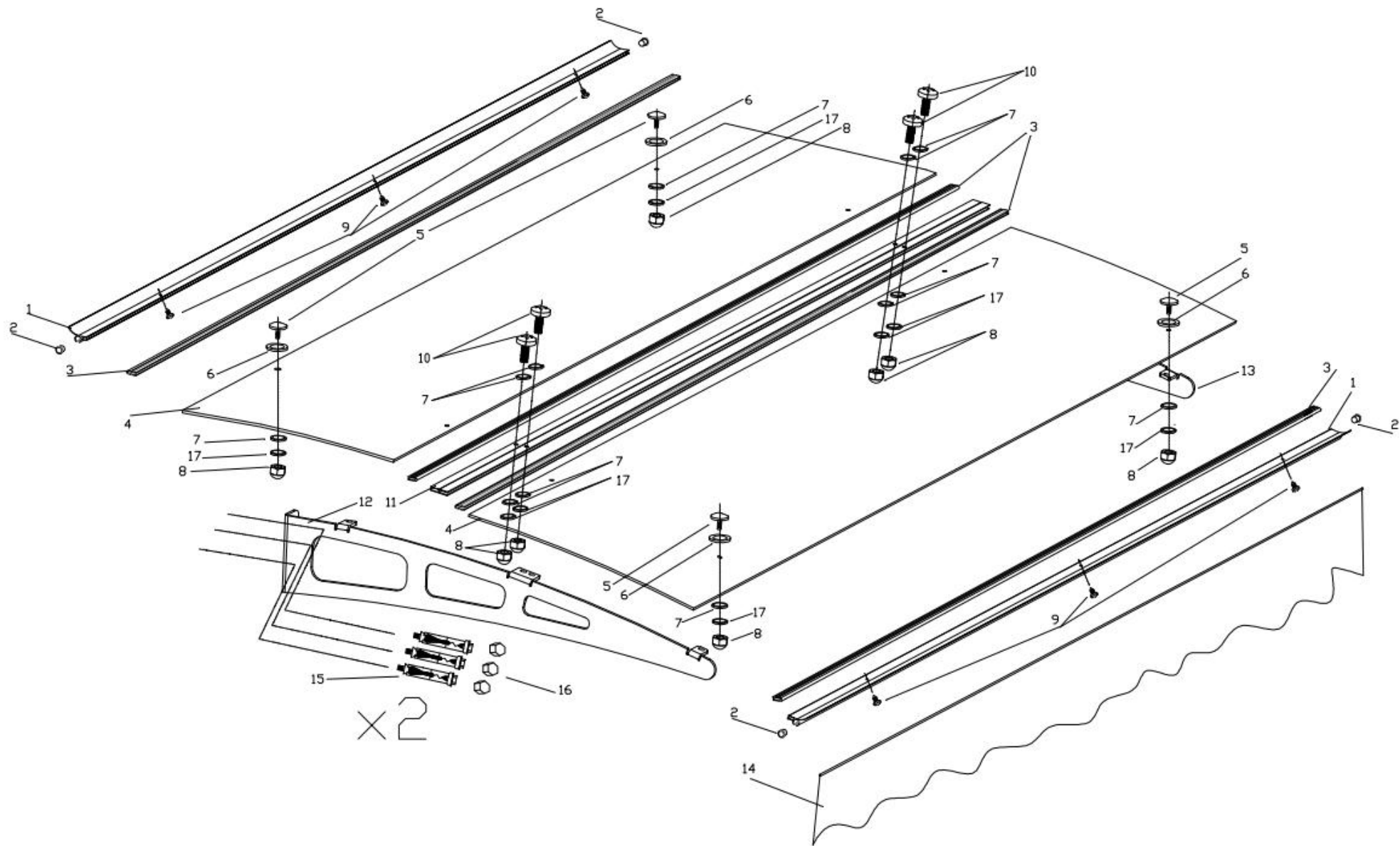
- Make sure there are no hidden pipes or cables in the wall before drilling.
- Please strictly follow the steps listed in the instruction manual.
- Sort the parts and check according to the part list & exploded drawing.
- At least 2 persons are needed to assemble the awning.
- Do not attempt to assemble the awning in windy, snowing or rainy conditions.
- Always wear shoes, gloves, helmet and safety goggles.
- Dispose of all plastic bags safely - keep them out of reach of children and pets.
- Keep children and pets away from the assembly zone.
- Do not attempt to assemble the awning if you are tired, have taken drugs, medicine or alcohol, or if you are prone to dizzy.
- When using a stepladder or power tools, ensure that you follow the manufacturers safety advice.
- Please consult your local official if any permits are required to install the awning.

Cleaning




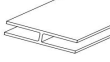
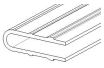








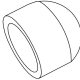



- If your awning need cleaning, clean all falling things, like leaves, branches, dust, etc with a soft brush.
- Use a kind of mild detergent solution and rinse with cold clean water.
- Do not use corrosive, acetone, abrasive cleaners or other special detergent to clean the roof panel.
- Do not use high-pressure water gun to rinse the roof and Aluminum profiles directly.

Note:

You are solely responsible for determining whether handling, storage, assembly, installation or use of this product is safe and appropriate in any location or for any given application. We are not responsible for any damages or injury to you, any other person or any property resulting from the improper handling, storage, installation, assembly or use of this product, or the failure to follow written instructions. Contact your retailer if any question in time.

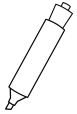


PART LIST

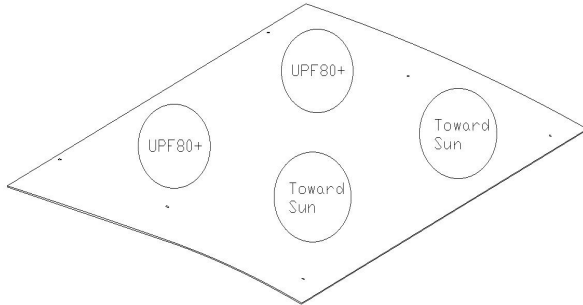
5934C series									
PART No.	PART NAME	SECTION FIG.	QTY	SIZE	PART No.	PART NAME	SECTION FIG.	QTY	SIZE
1	Front/Back Beam		2	L150cm/L59"	10	Cross Flat Head Screw		4	UNC1/4"xW1/2" x L3/4"
2	Cap of Front/Back Beam		4	D2/5"x25/64"	11	Middle Beam		1	L150cm/L59"
3	Rubber Sealing Strip		4	L150cm/L59"	12	Left Supporting Bracket		1	L78cm/L31"
4	Roof Panel		2	59"x32- 1/2"x0.135"	13	Right Supporting Bracket		1	L78cm/L31"
5	Large Flat Head Screw		4	UNC1/4"x D3/4"x L3/4"	14	Fabric Valance		1	L58"xW6"
6	Big Rubber Sealing Washer		4	D1/4"xD45/64" xT5/64"	15	Masonry Screw		6	UNC5/16"x 3-1/2"
7	Rubber Sealing Washer		12	D1/4"xD25/64" xT1/24"	16	Screw End Cap		6	D3/4"x3/4"
8	Cap Nut		8	UNC1/4"	17	Steel Washer		8	D1/4"xD25/64" xT1/16"
9	Self-tapping Screw		6	UNC1/8"x1/4"					

ASSEMBLY STEPS

Step 1: Roof Kit Assembly



Parts standby



No.4x 2 pcs
Roof Panel

Polycarbonate is specialized in researching and developing polycarbonate series products. We devote our professional and individualized service to international and domestic customers. We introduce complete modern coextrusionline and with the advantage of using Lean PC resin from Sabic, Panite PC resin from Teijin in Japan, and Makrolon resin fromBayer in Germany, and Inflex from Samsung in Korea, can provide large ranges of polycarbonate, such as Polycarbonate film,Polycarbonate solid sheet, Frosted sheet, Diffusion sheet, Embossed sheet, Static dissipative sheet, Building polycarbonate sheet and industrial sheet. Besides, we also have optical polycarbonate, Flame resistant sheet, Anti-UV sheet (Weatherabilityresistant),Screenprinting purpose sheet, and general purpose sheet,etc.

Furthermore, with a full series of advanced and professional plastic processing equipment such as high precision CNC machining center, Laser cutting machines, Precision engraving machines, Silkscreen printing machines, constant temperature and humidity chambers, Ultrasonic welding machines, Polishing machines, Press brake machines, Saw cutting machines, Milling machines, Drilling machines, Edge trimmers, etc.We can provide various of custom made plastic secondary operations

Our processing parts are widely applied in many fields such as Aerospace, train, auto and ship manufacture, plastic mould, machinery enclosure, hardWEIGWare, decorative lighting,Clock &Watch, plastic electronics etc. The authentication for our products include ISO9001:2008, ISO14001:2004,ROHS,SGS, UL94,TUV,BS6853,etc.

Polycarbonate staff have been following theidea of "Leading quality, Excellent service",and with strong technical strength, high quality professionalMIMtalents. First-class and efficient management, weseet up agood enterprise image.

Looking forward to establishing a long termcooperation with you!

Polycarbonate (abbreviated PC) characteristics:

1. High transmittance:Max 91%.
2. Impact resistance: PC's high impact resistance material,e.g.4.5mm thickness sheet is bullet-proof.
3. Good printing: It's easy to beprinted with traditional ink,sothat pre-treatment on surface is unnecessary.
4. Good flame resistant: UL94 V0 or V2 class.
5. Good insulation: Surface resistivity>9,00E+12 Ω.
6. High heat resistance:heat deflection temperature of 131.3 degrees Celsius.
7. Widely temperature range: -30℃ to 120℃.
8. Excellent sound insulation effect:15DB decreased by 4mm PCsheet.
9. Good weatherability: anti-UV, 10 years not yellowing.
10. Light weight and toughness:It's light,easily to be installed and for transportation.
11. Flexibility: The mincurved radius is15 times of sheboard thickness.
12. Energy saving: heat insulation max>8.
13. Excellent anti-frost performance.

PC
polycarbonate sheet



- ① Please note the roof panel is film coated on both surfaces. The surface printed specification information **MUST** be toward sun when installation.
- ② Tear off two side films before installation. Mark the surfaces "up" or "down" with a mark pen for identification.

Polycarbonate is specialized in researching and developing polycarbonate series products. We devote our professional and individualized service to international and domestic customers. We introduce complete modern coextrusionline and with the advantage of using Lean PC resin from Sabic, Panite PC resin from Teijin in Japan, and Makrolon resin fromBayer in Germany, and Inflex from Samsung in Korea, can provide large ranges of polycarbonate, such as Polycarbonate film,Polycarbonate solid sheet, Frosted sheet, Diffusion sheet, Embossed sheet, Static dissipative sheet, Building polycarbonate sheet and industrial sheet. Besides, we also have optical polycarbonate, Flame resistant sheet, Anti-UV sheet (Weatherabilityresistant),Screenprinting purpose sheet, and general purpose sheet,etc.

Furthermore, with a full series of advanced and professional plastic processing equipment such as high precision CNC machining center, Laser cutting machines, Precision engraving machines, Silkscreen printing machines, constant temperature and humidity chambers, Ultrasonic welding machines, Polishing machines, Press brake machines, Saw cutting machines, Milling machines, Drilling machines, Edge trimmers, etc.We can provide various of custom made plastic secondary operations

Our processing parts are widely applied in many fields such as Aerospace, train, auto and ship manufacture, plastic mould, machinery enclosure, hardWEIGWare, decorative lighting,Clock &Watch, plastic electronics etc. The authentication for our products include ISO9001:2008, ISO14001:2004,ROHS,SGS, UL94,TUV,BS6853,etc.

Polycarbonate staff have been following theidea of "Leading quality, Excellent service",and with strong technical strength, high quality professionalMIMtalents. First-class and efficient management, weseet up agood enterprise image.

Looking forward to establishing a long termcooperation with you!

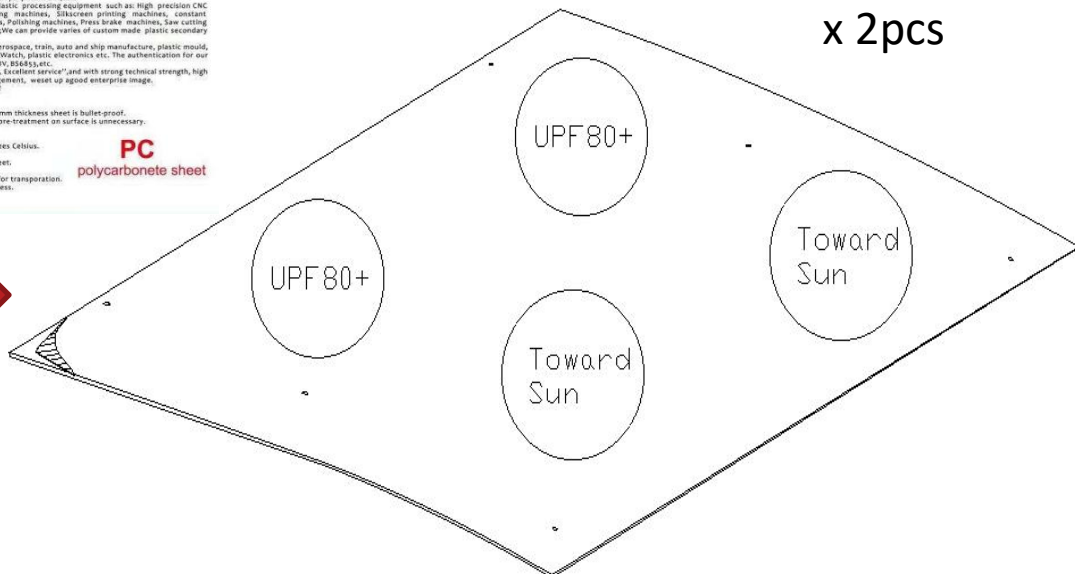
Polycarbonate (abbreviated PC) characteristics:

1. High transmittance:Max 91%.
2. Impact resistance: PC's high impact resistance material,e.g.4.5mm thickness sheet is bullet-proof.
3. Good printing: It's easy to beprinted with traditional ink,sothat pre-treatment on surface is unnecessary.
4. Good flame resistant: UL94 V0 or V2 class.
5. Good insulation: Surface resistivity>9,00E+12 Ω.
6. High heat resistance:heat deflection temperature of 131.3 degrees Celsius.
7. Widely temperature range: -30℃ to 120℃.
8. Excellent sound insulation effect:15DB decreased by 4mm PCsheet.
9. Good weatherability: anti-UV, 10 years not yellowing.
10. Light weight and toughness:It's light,easily to be installed and for transportation.
11. Flexibility: The mincurved radius is15 times of sheboard thickness.
12. Energy saving: heat insulation max>8.
13. Excellent anti-frost performance.

PC
polycarbonate sheet



Tear off



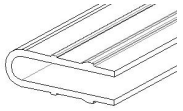
ASSEMBLY STEPS

Step 1: Roof Kit Assembly

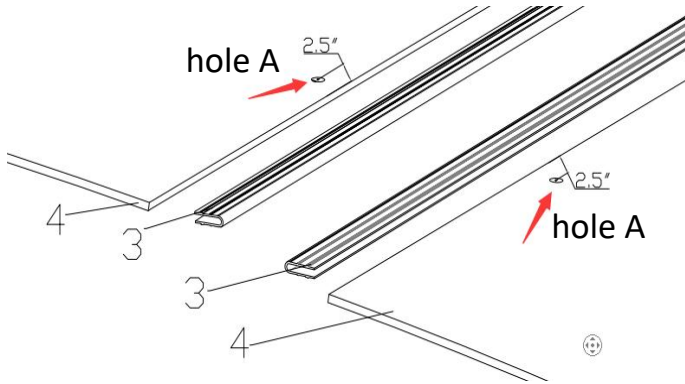
Parts standby



No.4x 2 pcs
Roof Panel

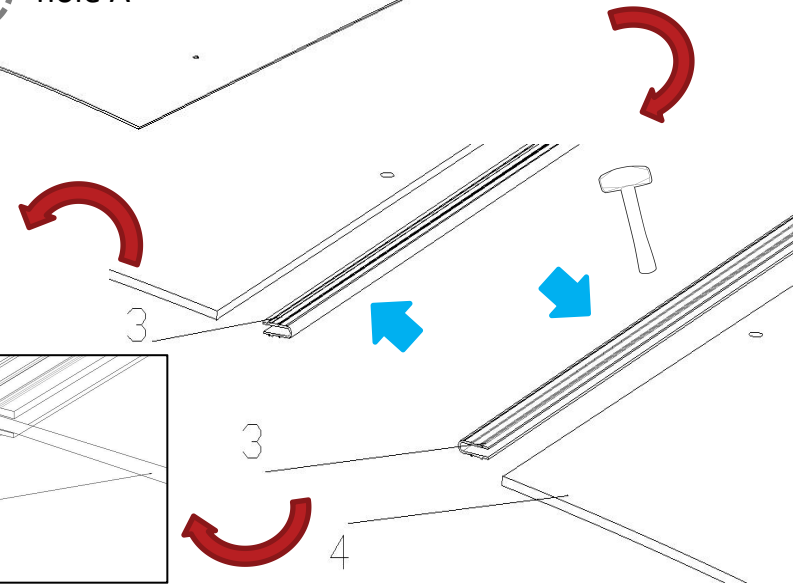
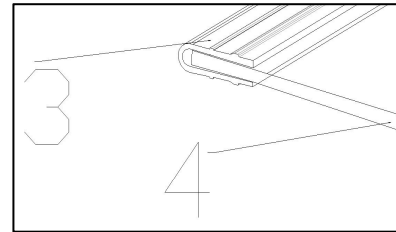
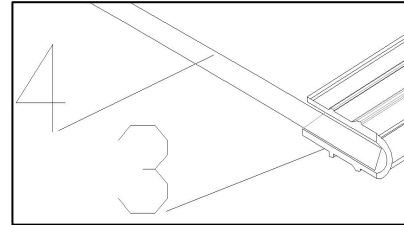
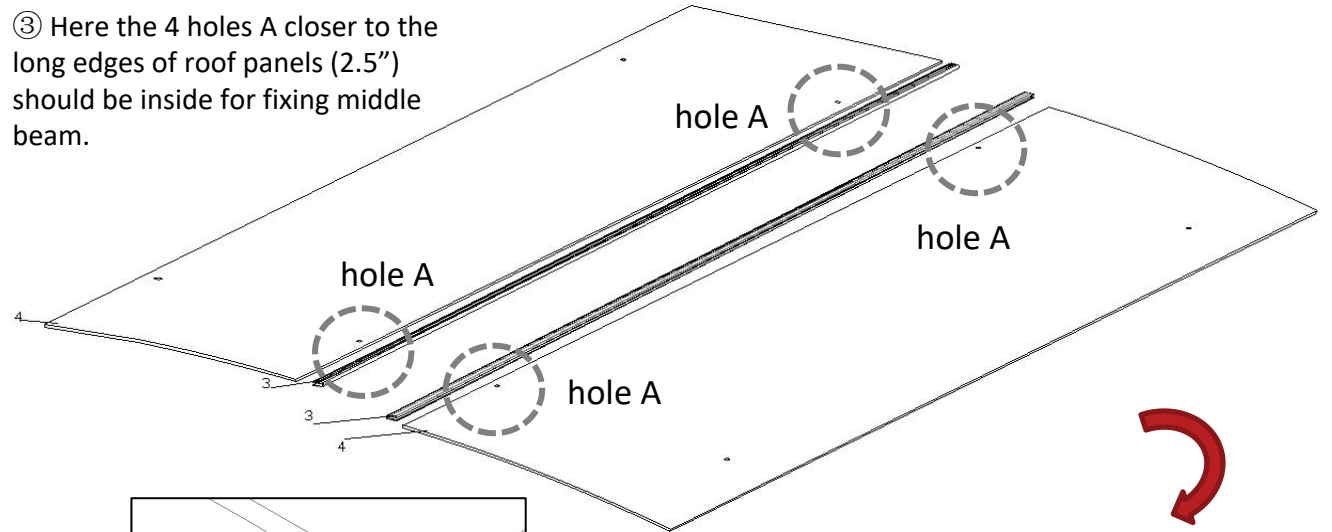


No.3x 2 pcs
Rubber Sealing Strip



④ Cap the part #3 rubber sealing strips into edge of panels. 1 piece for 1 panel.

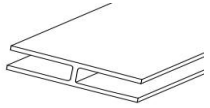
③ Here the 4 holes A closer to the long edges of roof panels (2.5") should be inside for fixing middle beam.



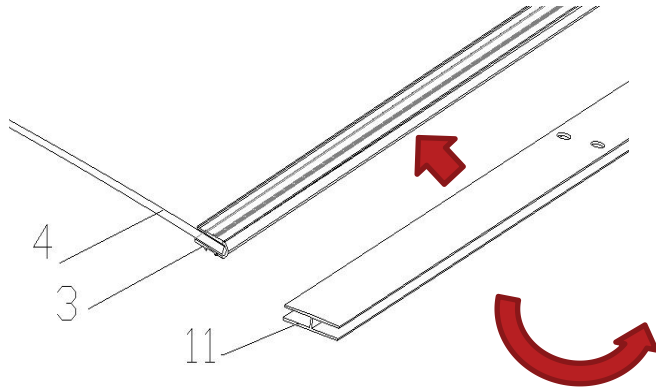
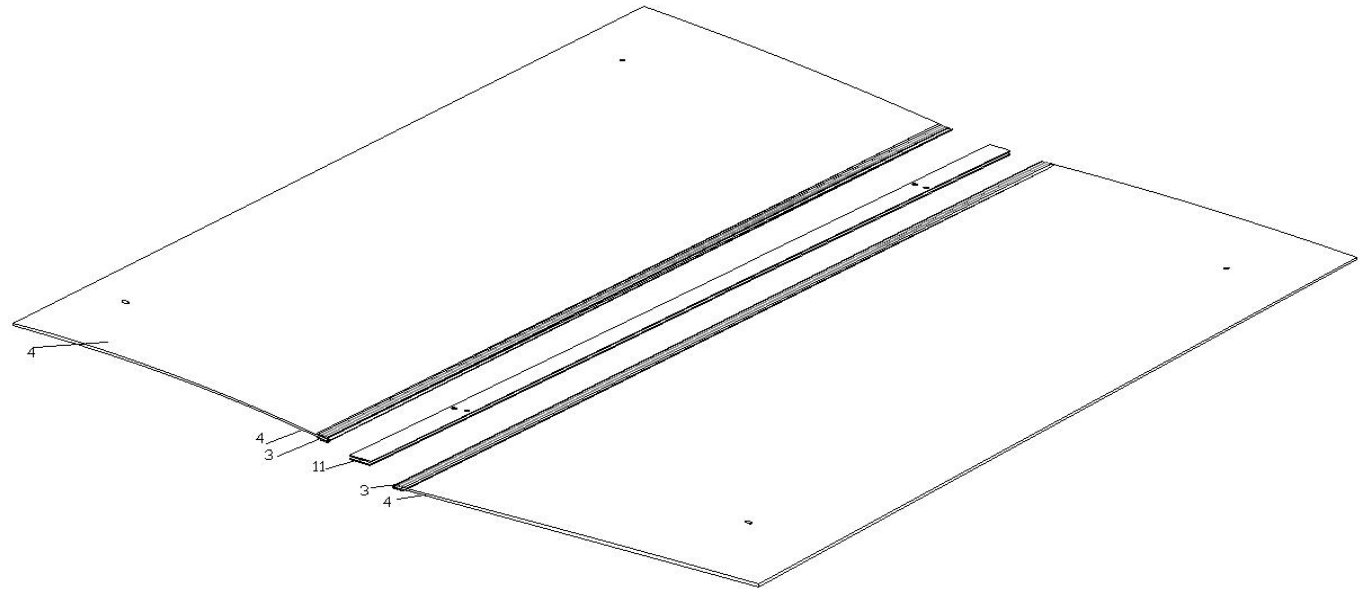
ASSEMBLY STEPS

Step 1: Roof Kit Assembly

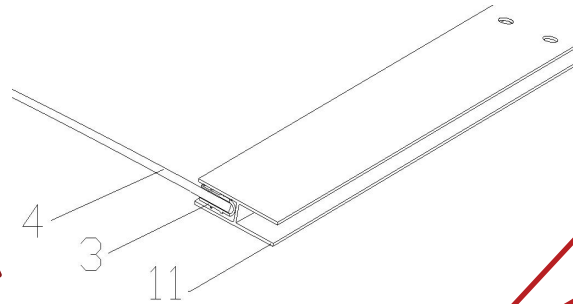
Parts standby



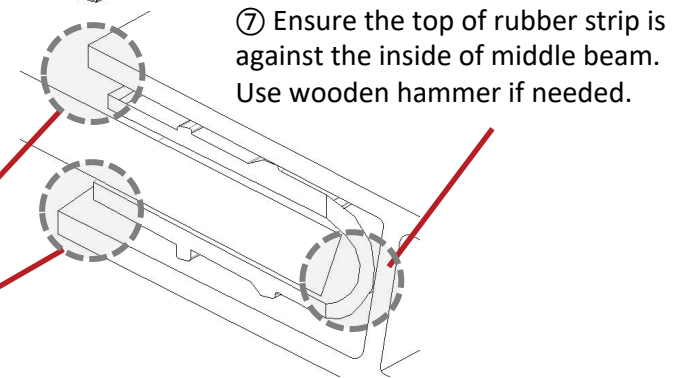
No.11x 1 pc
Middle Beam



⑤ Cap the part #11 middle beam into rubber strip #3 and panel #4 kit.



⑥ Make sure the edges of rubber strip is inside of middle beam.

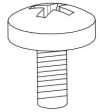


⑦ Ensure the top of rubber strip is against the inside of middle beam. Use wooden hammer if needed.

ASSEMBLY STEPS

Step 1: Roof Kit Assembly

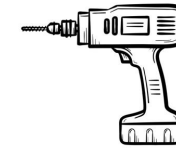
Parts standby



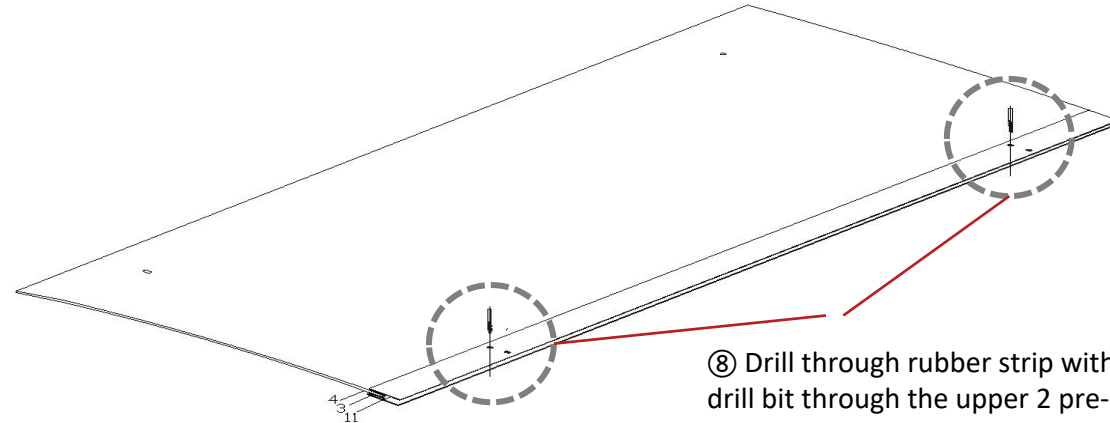
No.10x 2 pcs
Cross Flat Head Screw



No.7x 2 pcs
Sealing Washer

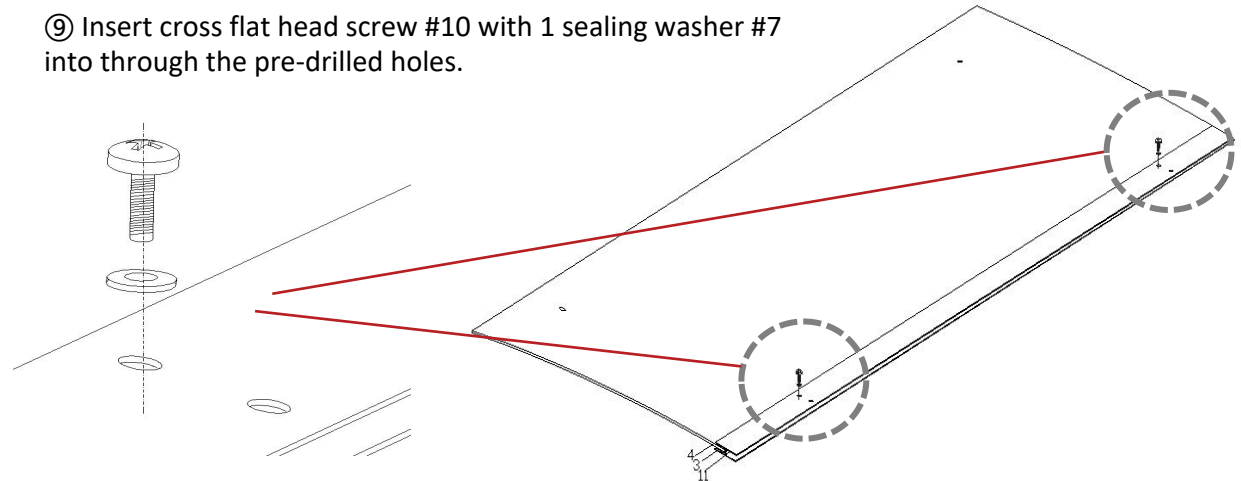


7/32"



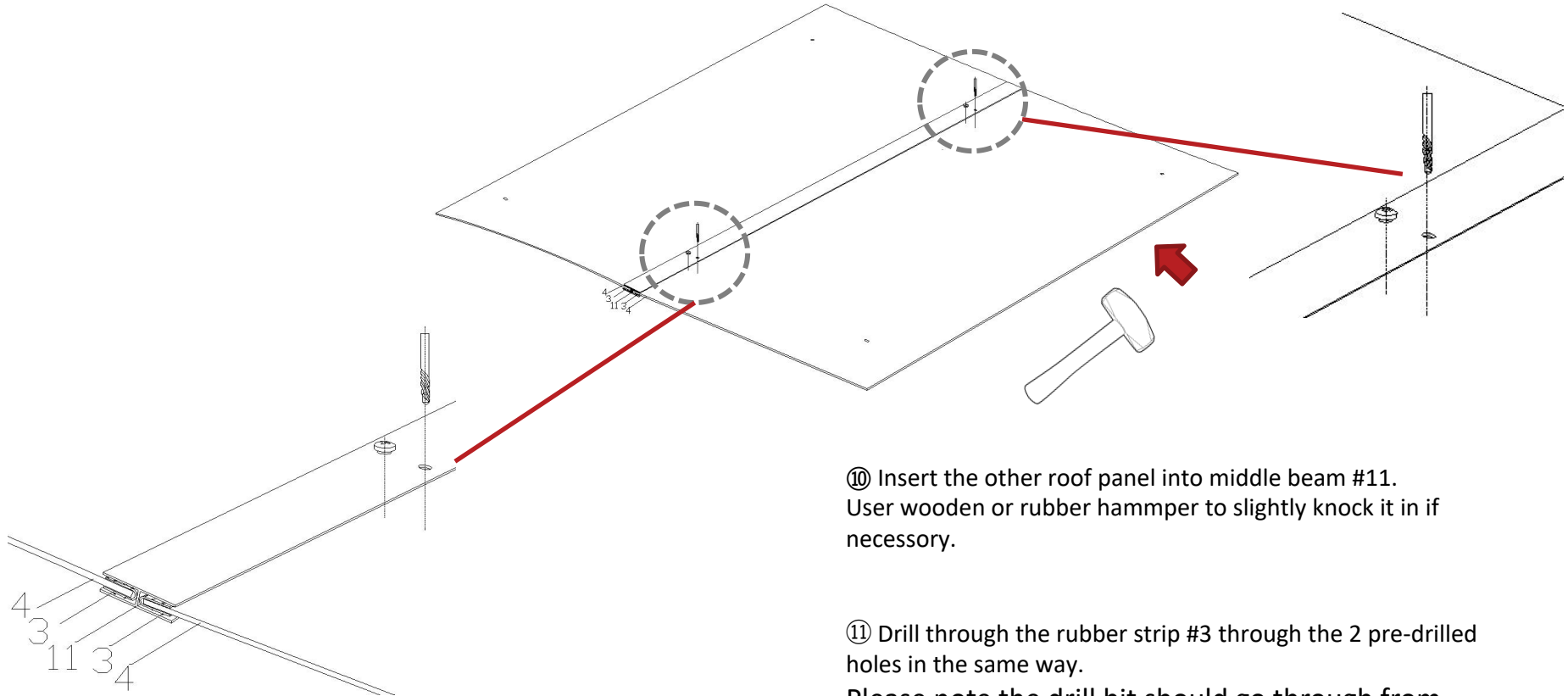
⑧ Drill through rubber strip with a 7/32" drill bit through the upper 2 pre-drilled holes.

⑨ Insert cross flat head screw #10 with 1 sealing washer #7 into through the pre-drilled holes.



ASSEMBLY STEPS

Step 1: Roof Kit Assembly



⑩ Insert the other roof panel into middle beam #11. User wooden or rubber hampper to slightly knock it in if necessary.

⑪ Drill through the rubber strip #3 through the 2 pre-drilled holes in the same way.

Please note the drill bit should go through from upper surface to bottom surface of middle beam.

ASSEMBLY STEPS

Step 1: Roof Kit Assembly

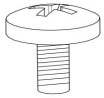


7/16"

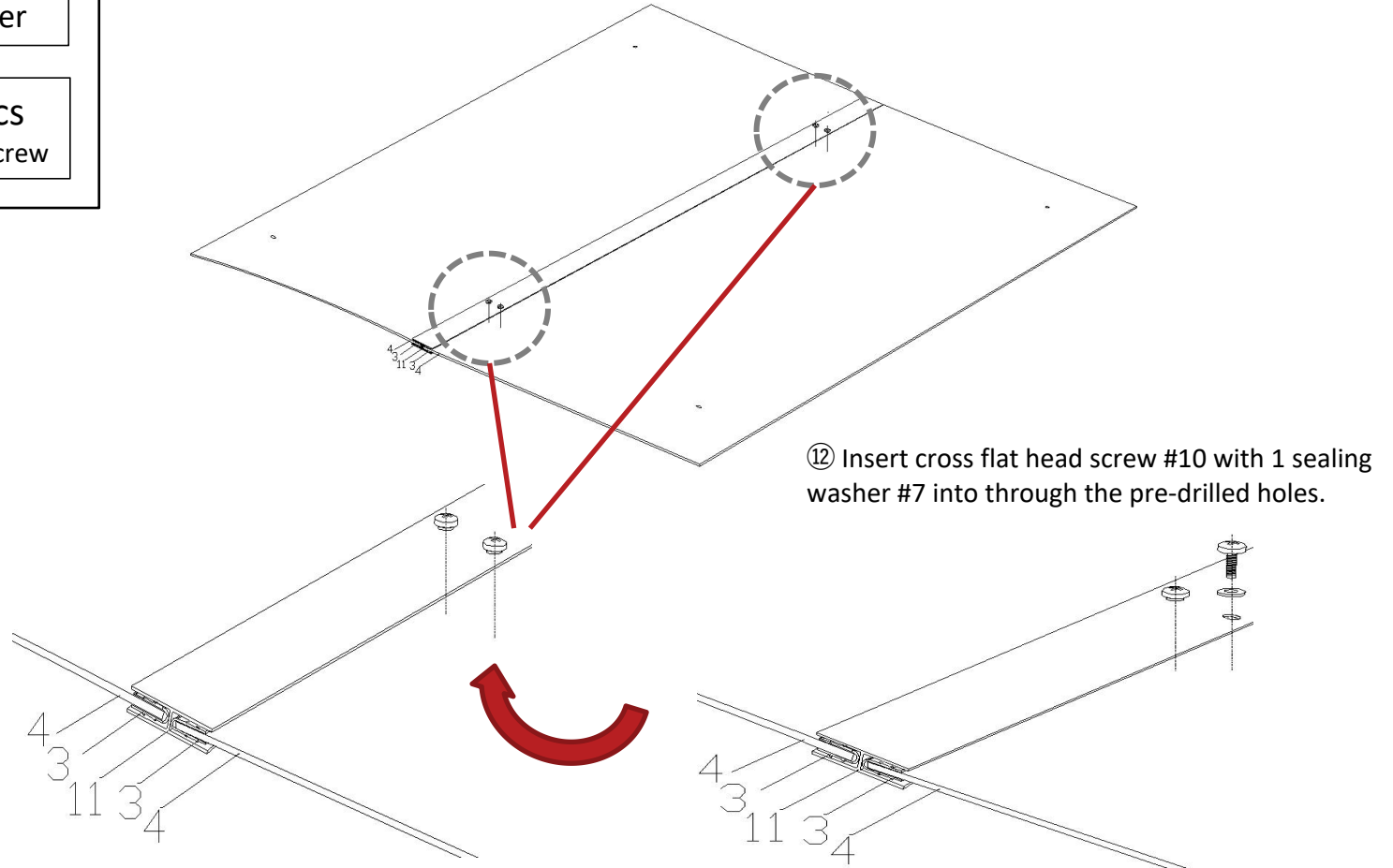
Parts standby



No.7x 2 pcs
Sealing Washer



No.10x 2 pcs
Cross Flat Head Screw



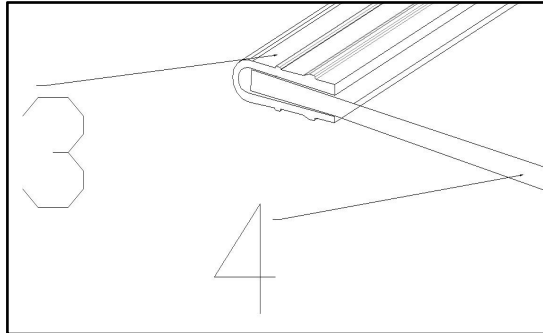
ASSEMBLY STEPS

Step 1: Roof Kit Assembly

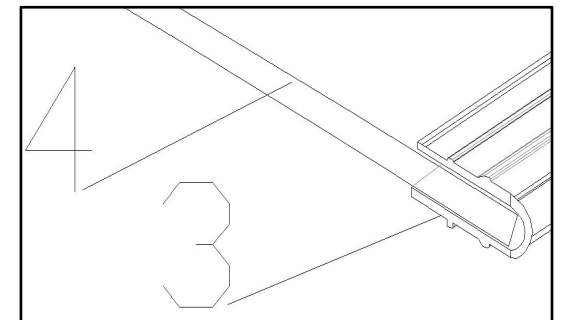
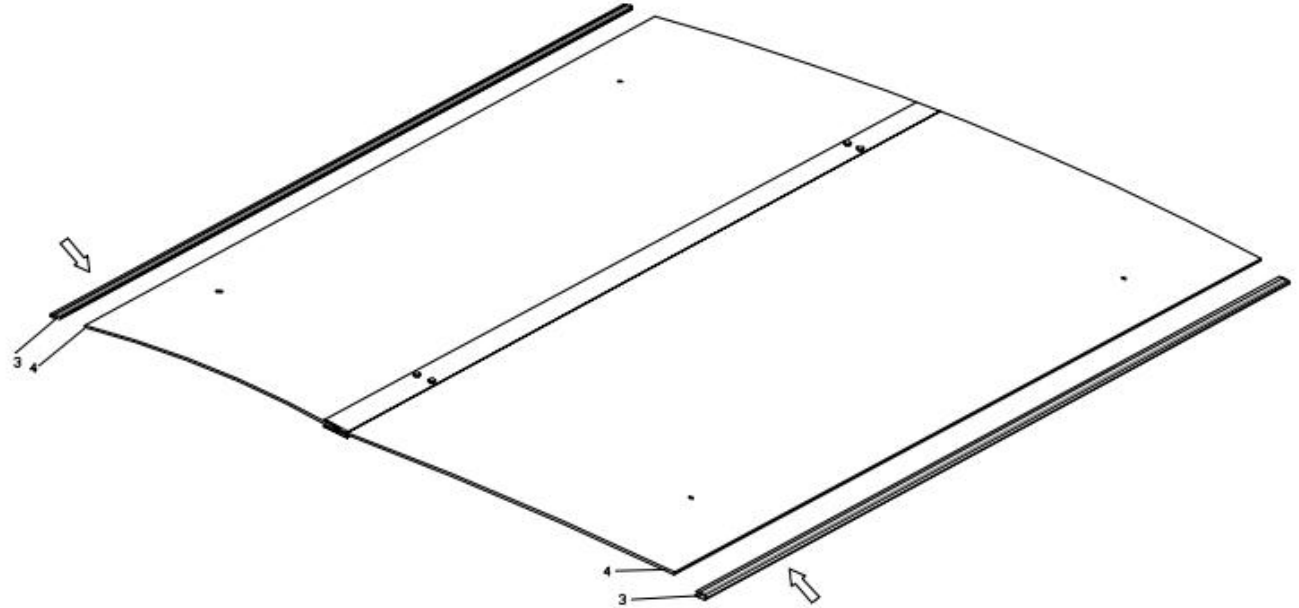
Parts standby



No.3x 2 pcs
Rubber Sealing Strip



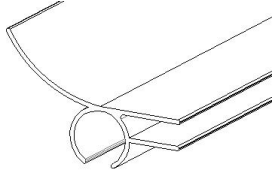
⑬ Install the other 2 pieces of rubber sealing strip onto the outer edges of panels.



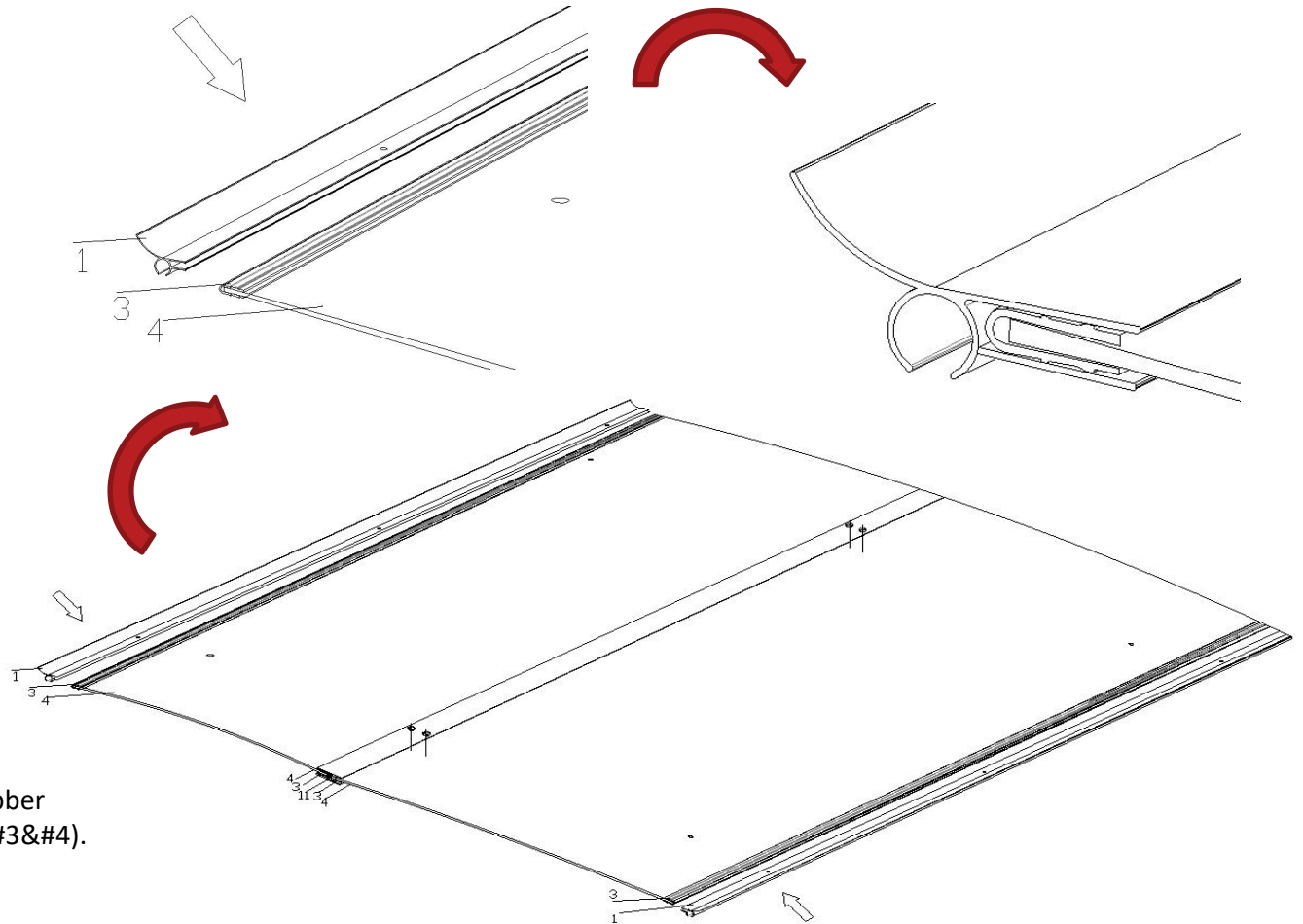
ASSEMBLY STEPS

Step 1: Roof Kit Assembly

Parts standby



No.1x 2 pcs
Front/Rear Beam



⑭ Cap the front/rear beam #1 into the rubber sealing strip & roof panel kit (the group of #3).

ASSEMBLY STEPS

Step 1: Roof Kit Assembly



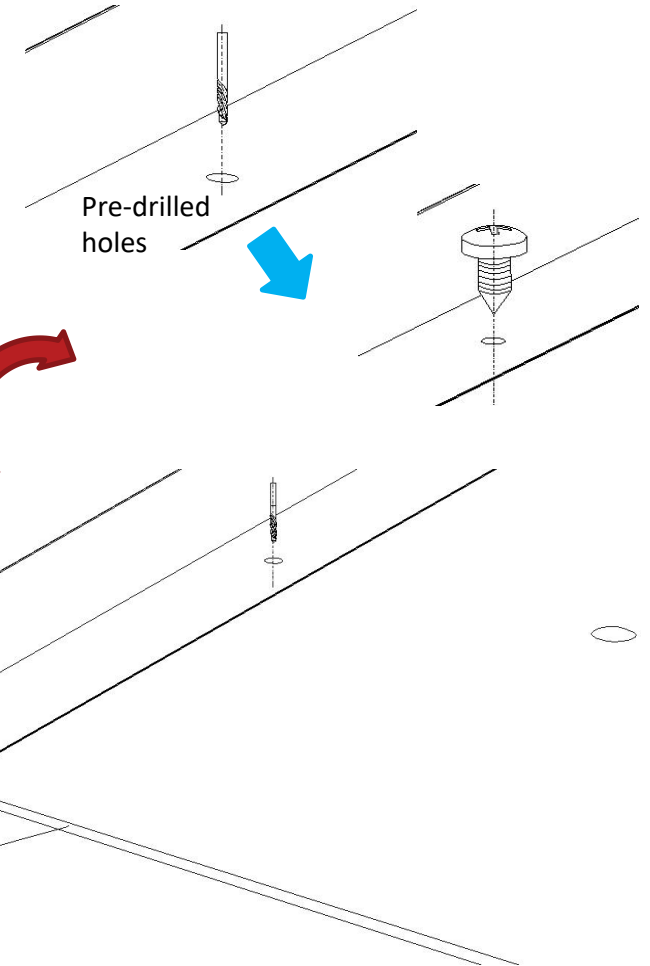
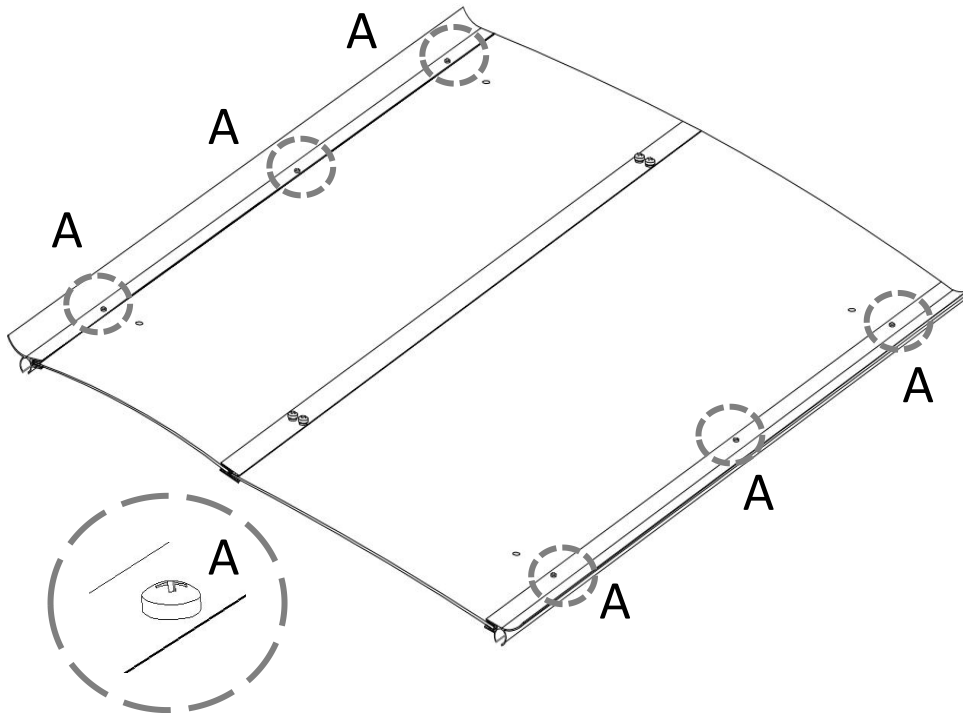
Parts standby



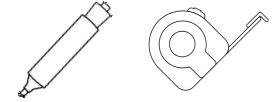
No.9x 6 pcs
Self-tapping Screw

⑮ Drill through the sealing strip #3 & roof panel #4 from up to bottom along with the holes pre-drilled on front/back beam with a 1/8" drill bit one by one. Total 6 pieces holes.

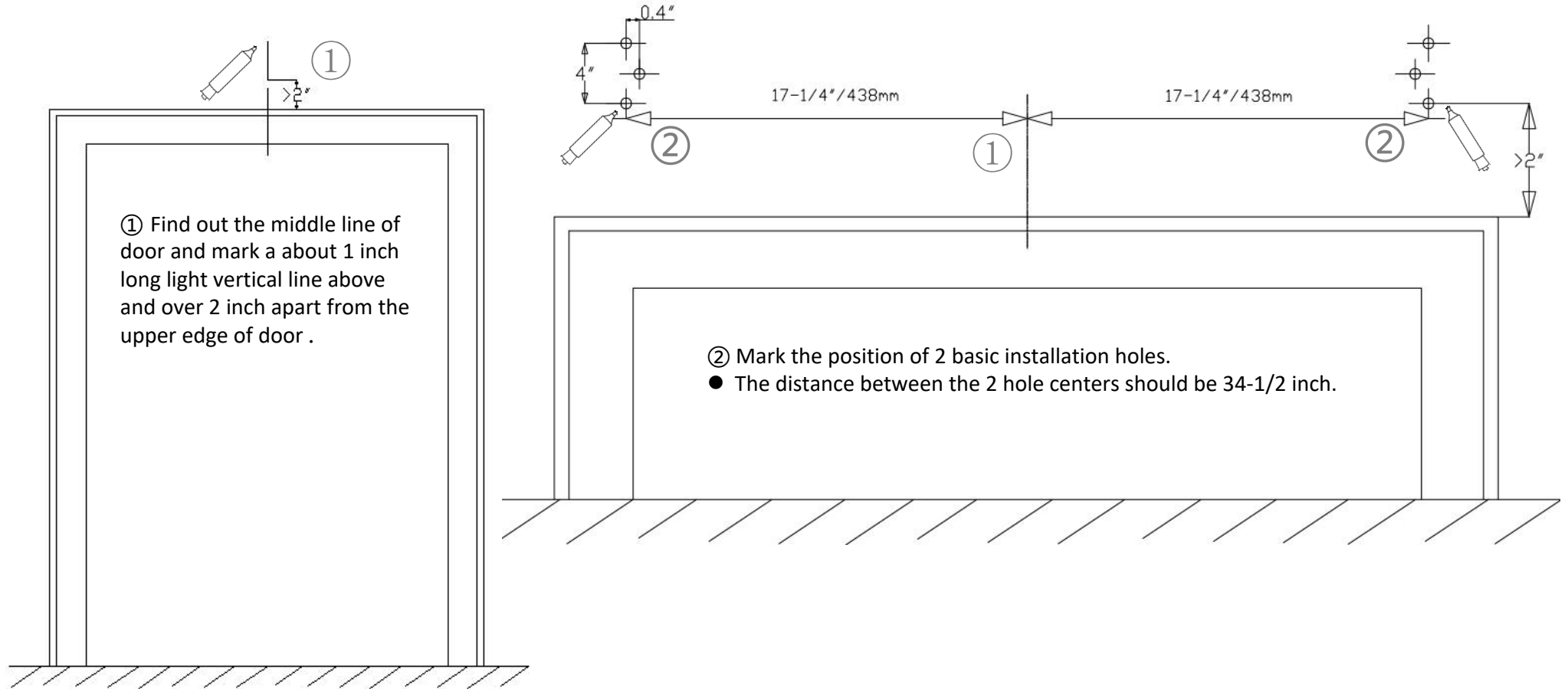
⑯ Then screw the 3 materials, #1,#3 & #4 together with the self-tapping screws #9 provided in the hardware bag. Total 6 pieces screws.



ASSEMBLY STEPS

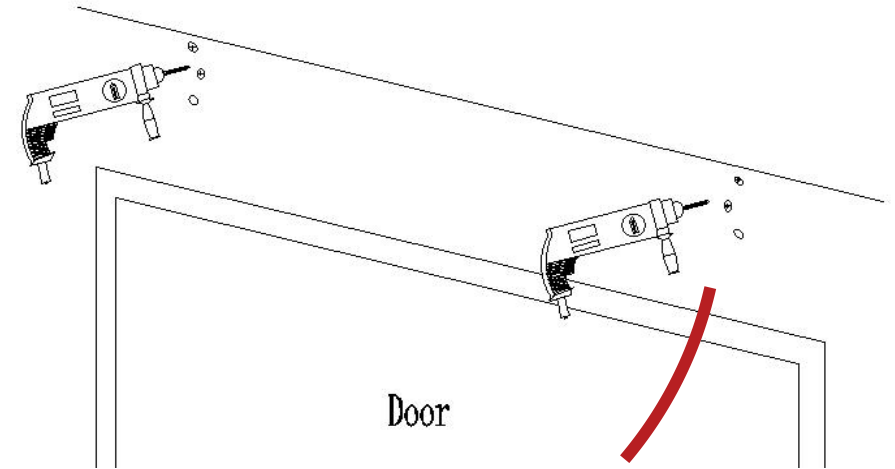
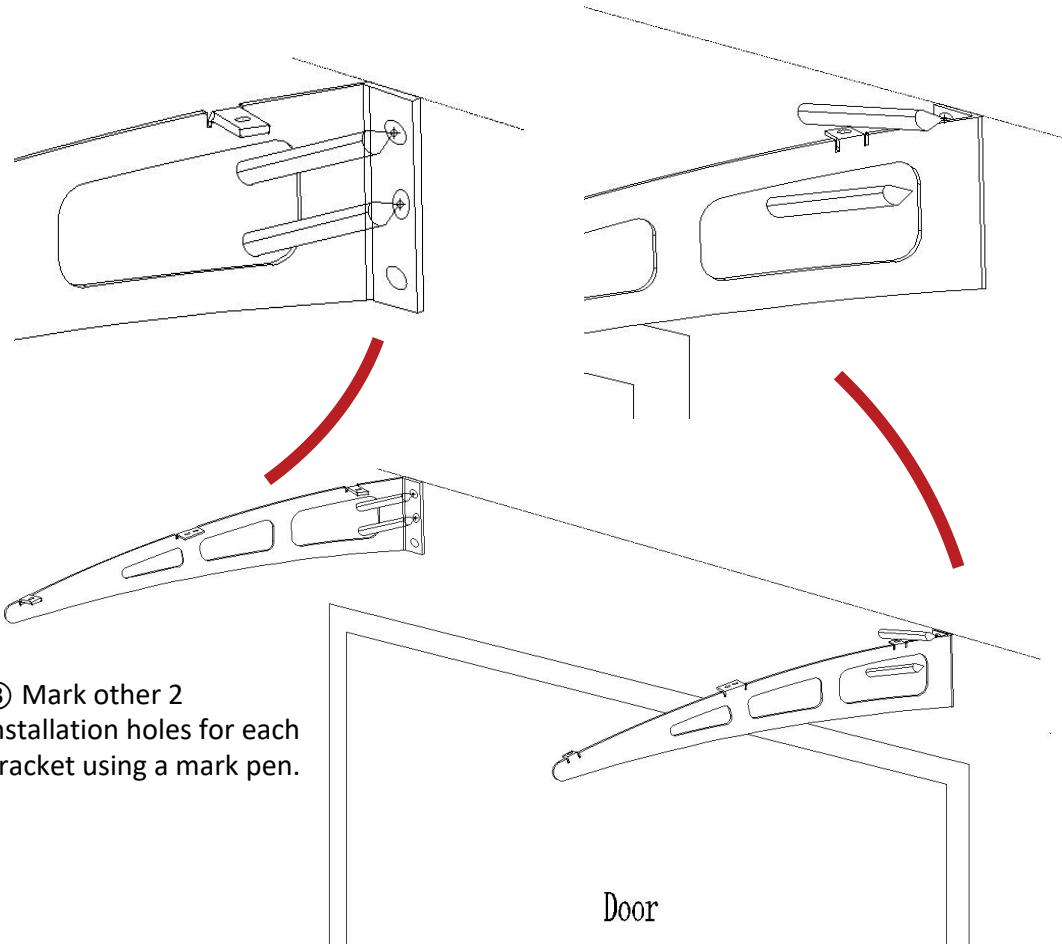
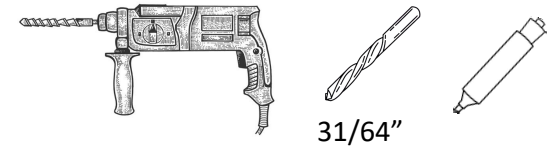


Step 2: Supporting Bracket Installation



ASSEMBLY STEPS

Step 2: Supporting Bracket Installation



④ Drill the 6 installation (3 holes for each bracket) holes on marked positions with electric hammer equipped diameter 3/16 inch drill bit about 4 inch deep.

ASSEMBLY STEPS

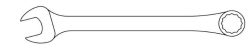
Step 2: Supporting Bracket Installation



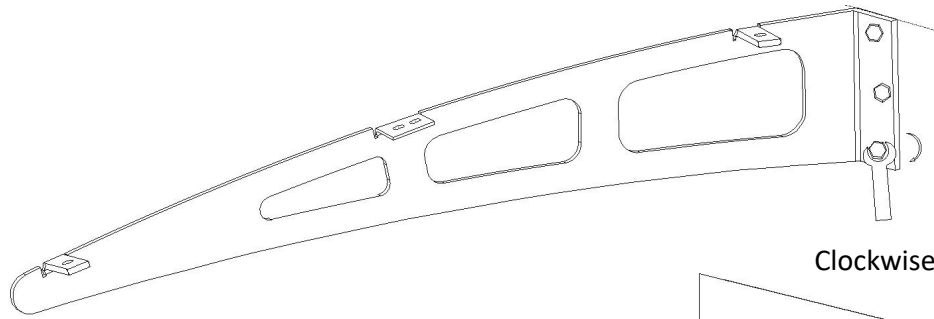
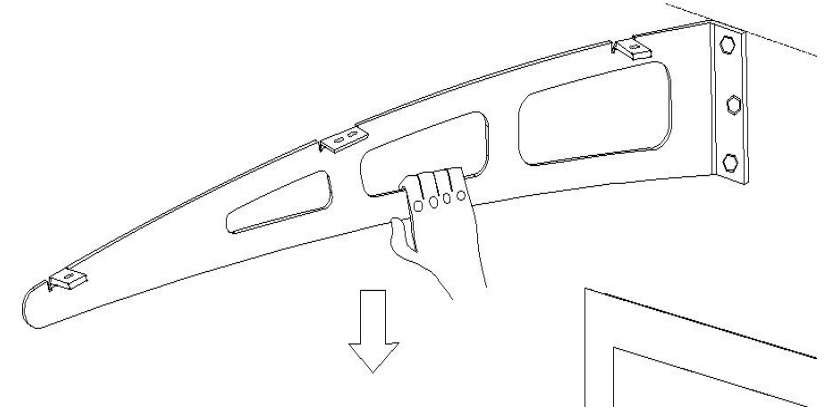
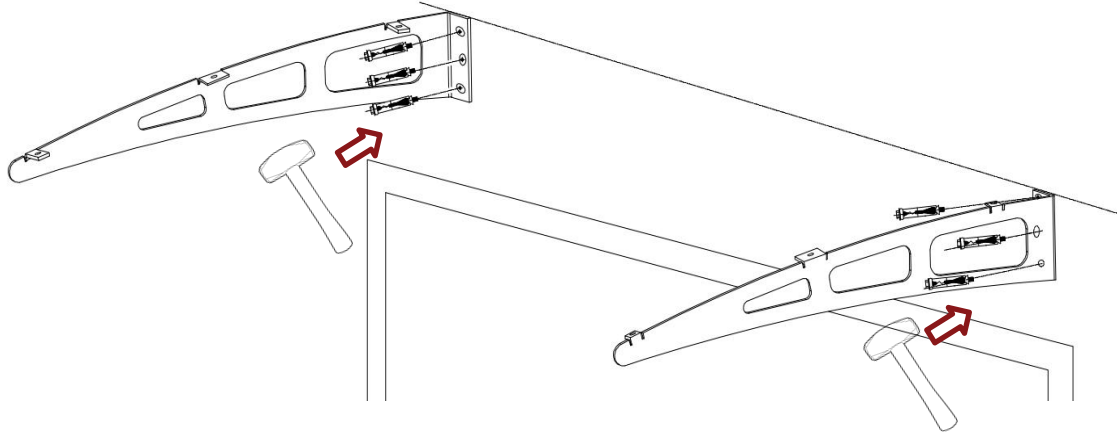
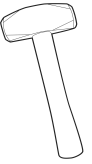
#16 x 6pcs



#15 x 6pcs

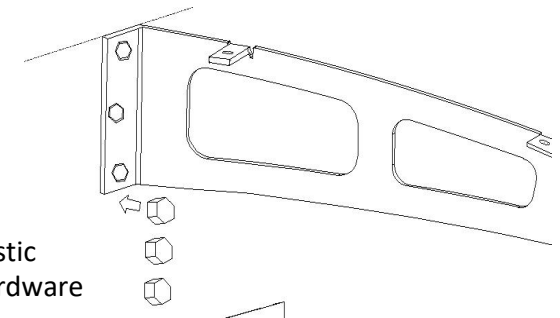


9/16"



⑥ Insert and knock all of the 6 bolts #15 into drilled holes one by one, then tighten them in clockwise.

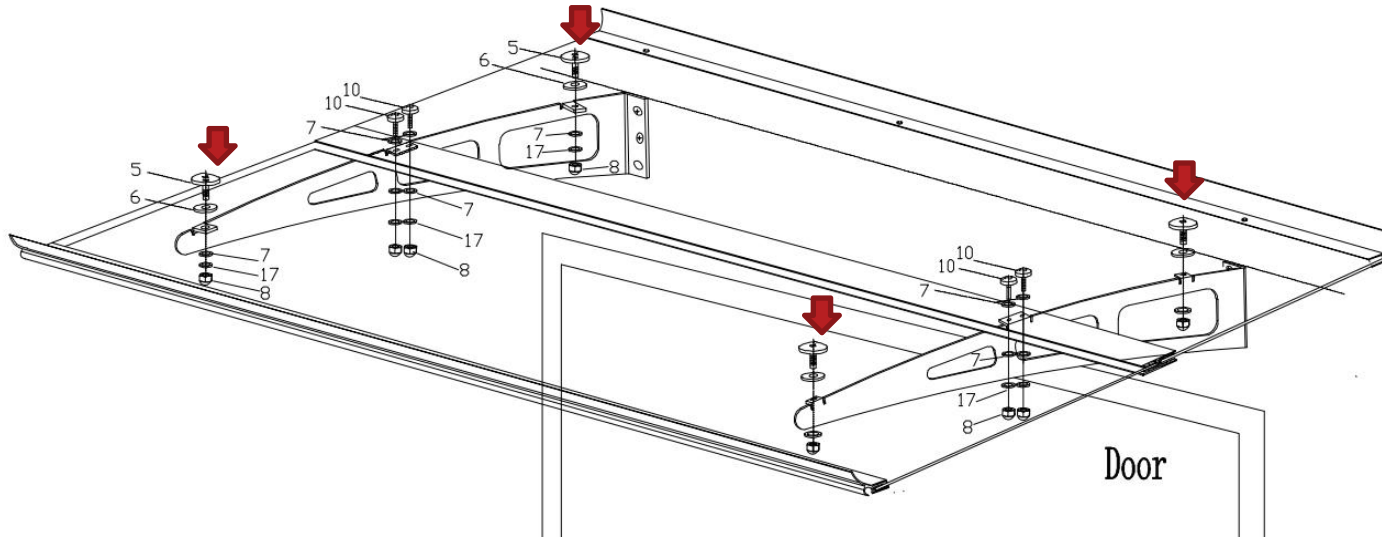
⑦ Pull the brackets downward hard to check whether they're fixed securely or not. If they are not secure enough, the bolts might be not tightened enough. You need check and tighten them.



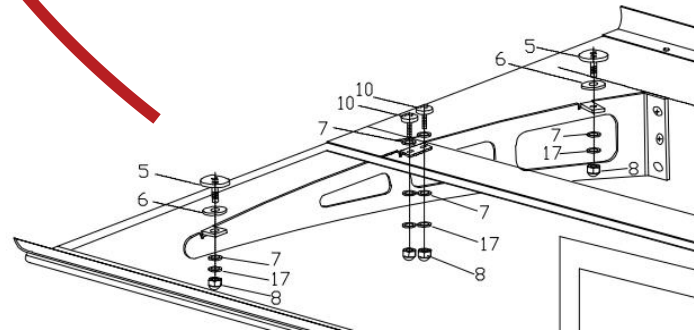
⑧ Cap all bolts with the plastic bolt caps #16 included in hardware bag if the 2 brackets are secure.

ASSEMBLY STEPS

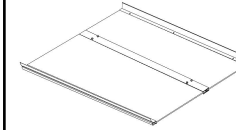
Step 3: Roof Panel Kit Installation



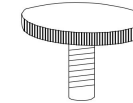
① Put the roof panel kit upon bracket:
Check the direction of panel kit.



Parts standby



Roof Panel Kit x 1pc



No.5x 4 pcs
Large Flat Head Screw



No.6x 4 pcs
Big Rubber Washer



No.7x 12 pcs
Rubber Washer



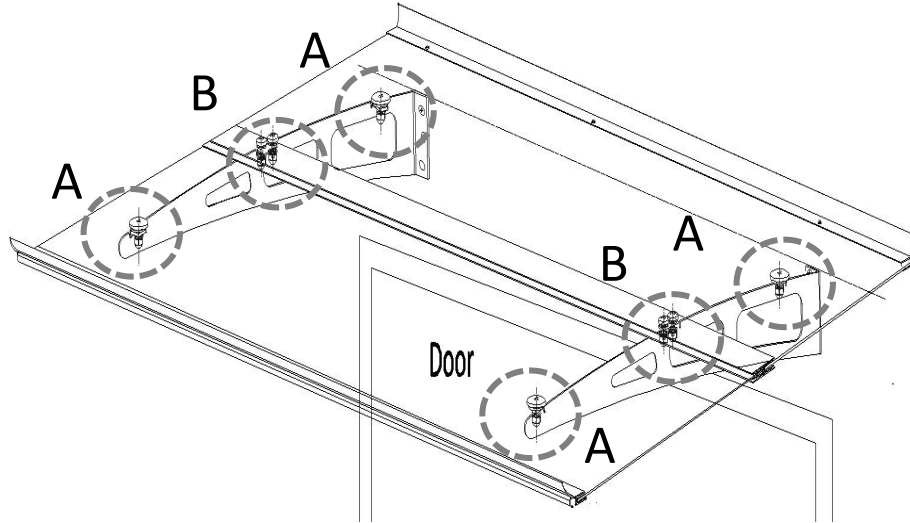
No.17x 8 pcs
Steel Washer



No.8x 8 pcs
Cap Nut

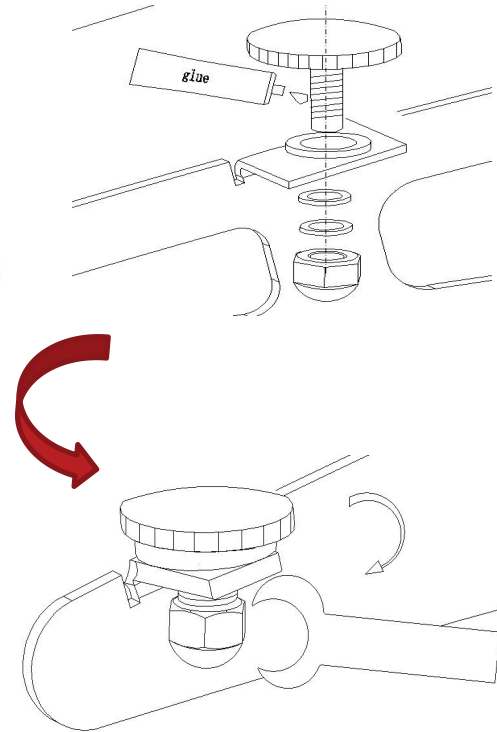
How does the glue work?

- The glue is a gift, not a part of product.
- The glue is able to ensure the roof screws avoiding loosening after years of using, against wind and snow.
- It's not a necessary step to drip the glue, but it'll be better if used it.



A: Drip 1 drop of glue onto the screw bolt of **each** big flat head screw #5 before tightening them.

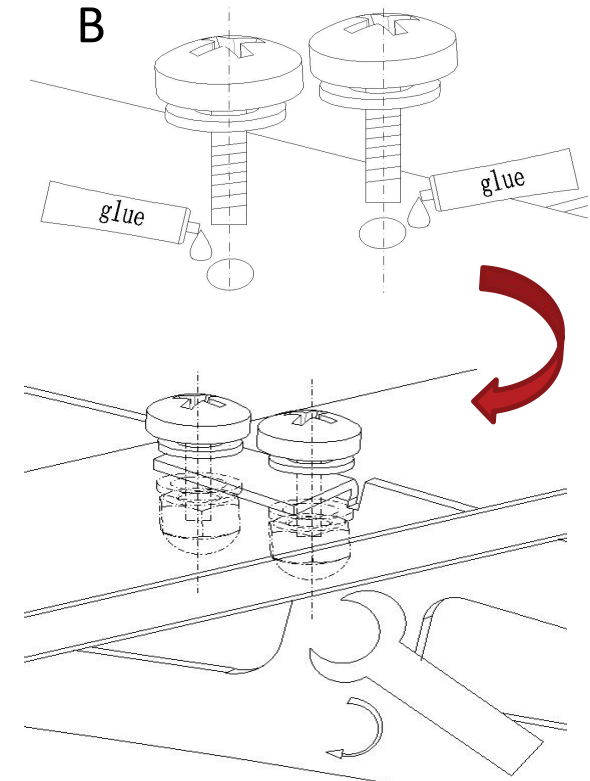
A



B: Pull up the cross flat screw # 10 & sealing washer #7.

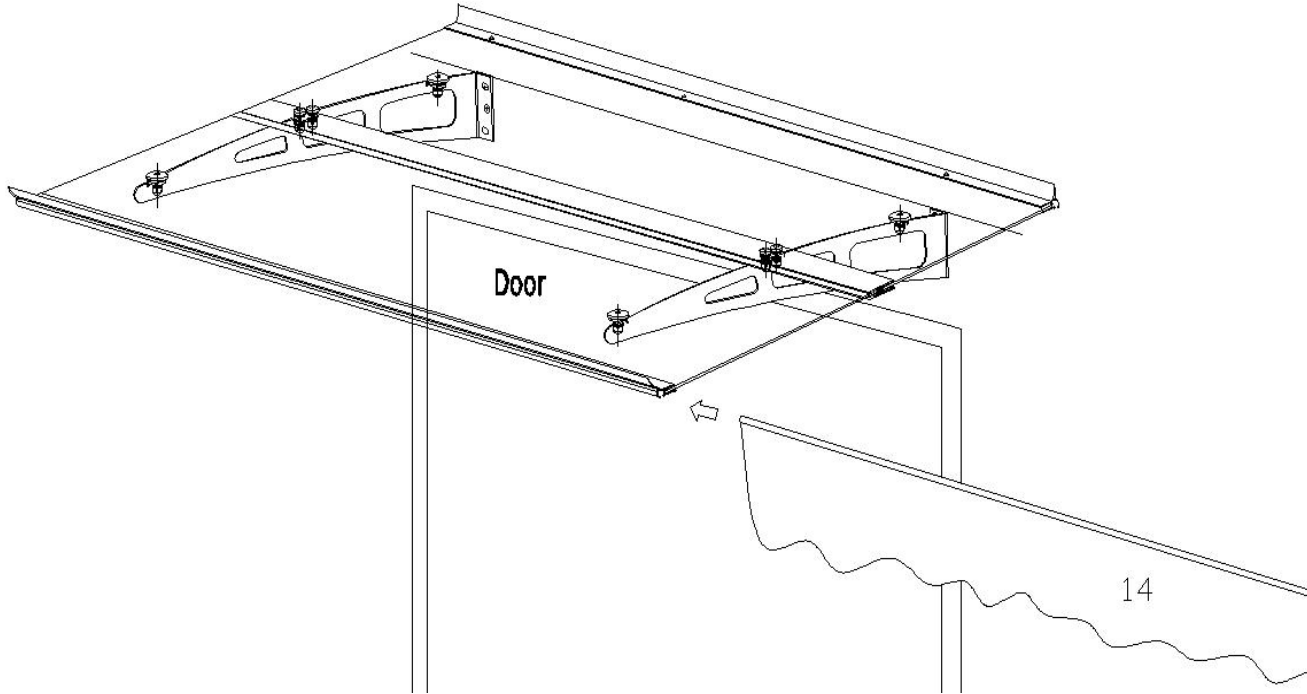
Drip 1 drop of glue into each hole on middle beam, then tighten screws.

B

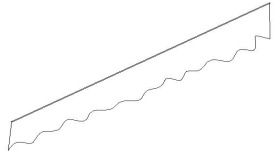


ASSEMBLY STEPS

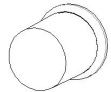
Step 4: Valance Installation



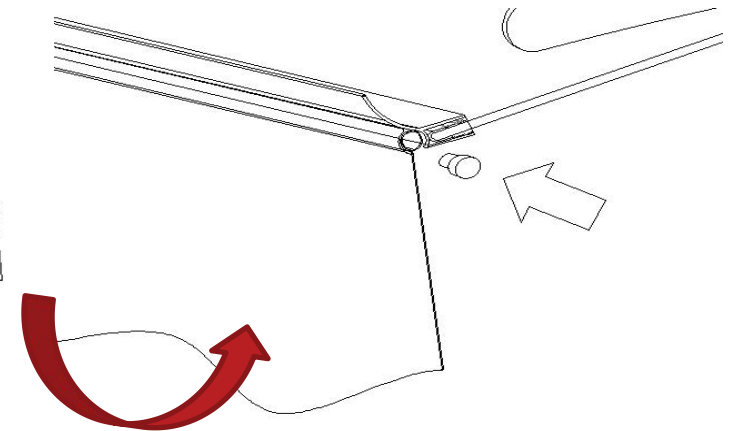
Parts standby



No.14x 1 pc
Fabric Valance



No.2x 4 pcs
Front/Back Beam End
Cap

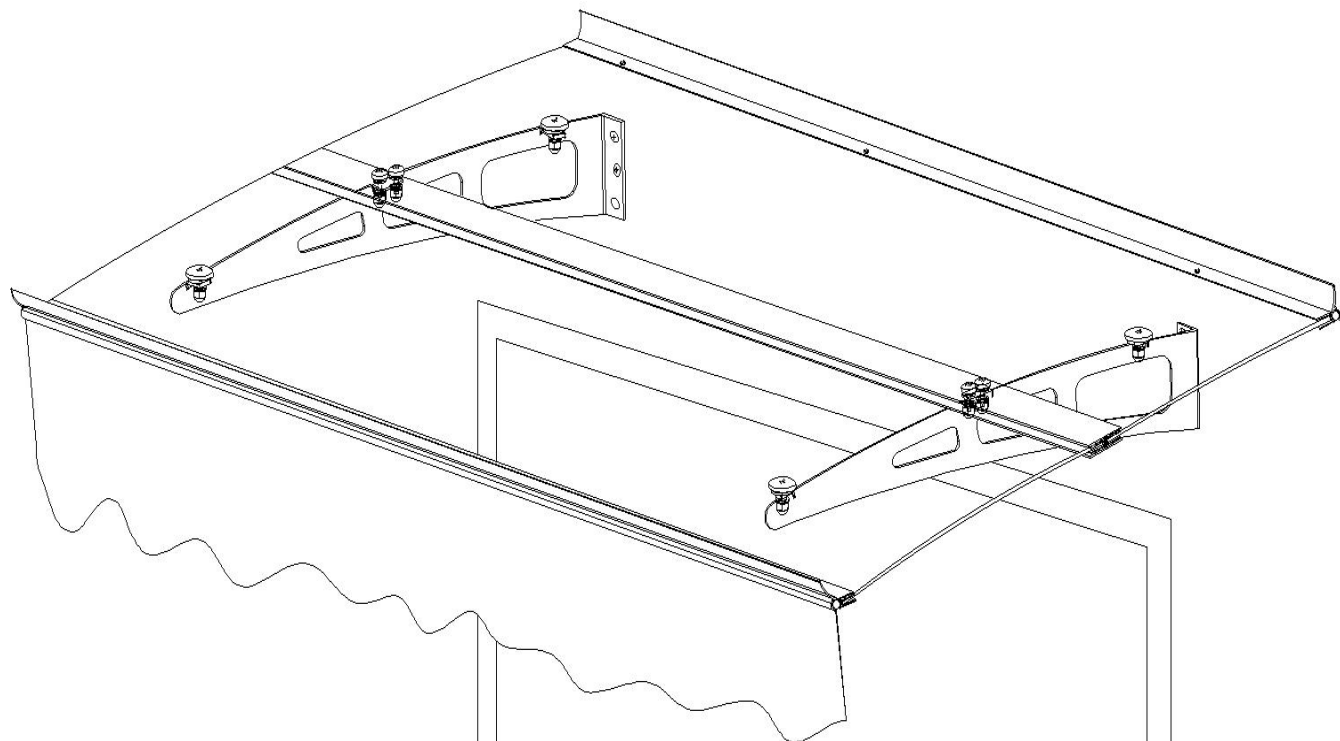


① The Valance is an optional part of the awning. If you don't like it, you don't need to install it.

Insert the valance into the front beam of awning if you like it.

② Cap 4 end caps of front/back beams on each top.

Well done! Congratulation!



You've completed all steps of installation.
Great Job!