

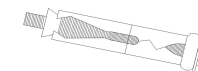
Door Awning

4734C Series

W47"xD34" / W1200xD870mm

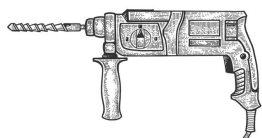
Assembly Instruction

Only for masonry installation

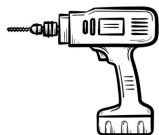


x **2** PERSONS
TEAM WORK

Tools needed, not included.



Electric Hammer



Electric Screw
Driver



1/8", 31/64"
Driller Bits



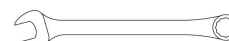
Protection
Goggles



Cross
Screwdriver



4 FEET
Tape Ruler



7/16", 9/16"
Spanner



Wooden
Hammer



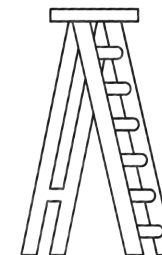
Mark
Pen



Helmet



Gloves



Ladder

Safety Advice & Cleaning

Advices on Safety before assembly

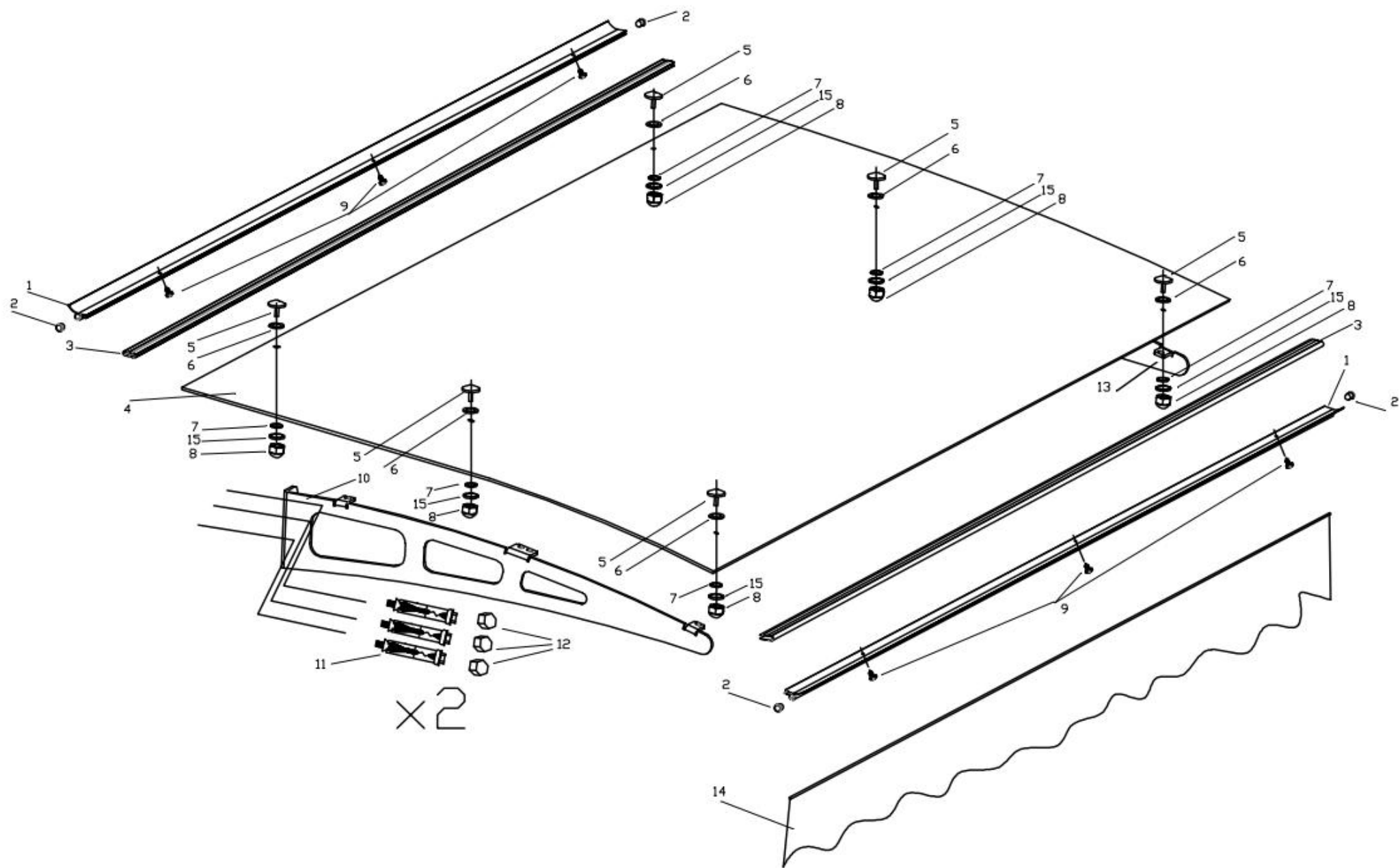
- Make sure there are no hidden pipes or cables in the wall before drilling.
- Please strictly follow the steps listed in the instruction manual.
- Sort the parts and check according to the part list & exploded drawing.
- At least 2 persons are needed to assemble the awning.
- Do not attempt to assemble the awning in windy, snowing or rainy conditions.
- Always wear shoes, gloves, helmet and safety goggles.
- Dispose of all plastic bags safely - keep them out of reach of children and pets.
- Keep children and pets away from the assembly zone.
- Do not attempt to assemble the awning if you are tired, have taken drugs, medicine or alcohol, or if you are prone to dizzy.
- When using a stepladder or power tools, ensure that you follow the manufacturers safety advice.
- Please consult your local official if any permits are required to install the awning.

Cleaning

- If your awning need cleaning, clean all falling things, like leaves, branches, dust, etc with a soft brush.
- Use a kind of mild detergent solution and rinse with cold clean water.
- Do not use corrosive, acetone, abrasive cleaners or other special detergent to clean the roof panel.
- Do not use high-pressure water gun to rinse the roof and Aluminum profiles directly.




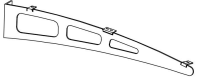
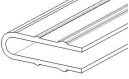



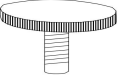
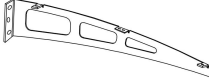





Note:

You are solely responsible for determining whether handling, storage, assembly, installation or use of this product is safe and appropriate in any location or for any given application. We are not responsible for any damages or injury to you, any other person or any property resulting from the improper handling, storage, installation, assembly or use of this product, or the failure to follow written instructions. Contact your retailer in time if any question.



PART LIST

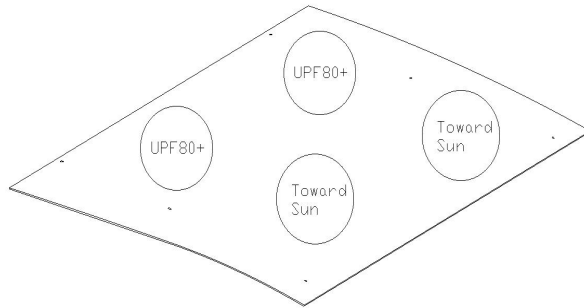
4734C Series

PART No.	PART NAME	CROSS SECTION FIG.	QTY	SIZE	PART No.	PART NAME	CROSS SECTION FIG.	QTY	SIZE
1	Front/Back Beam		2	L120cm/L47"	9	Self-tapping Screw		6	UNC1/8"x1/4"
2	Cap of Front/ Back Beam		4	D2/5"x25/64"	10	Left Supporting Bracket		1	L78cm/L31"
3	Rubber Sealing Strip		2	L120cm/L47"	11	Masonry Screw		6	UNC5/16"x3-1/2"
4	Roof Panel		1	L47"xW32-1/2" xT9/64"	12	Screw End Cap		6	D3/4"x3/4"
5	Large Flat Head Screw		6	UNC1/4"x3/4" x3/4"	13	Right Supporting Bracket		1	L78cm/L31"
6	Big Rubber Sealing Washer		6	D1/4"xD45/64" xT5/64"	14	Fabric Valance		1	L46"xW6"
7	Rubber Sealing Washer		6	D1/4"xD25/64" xT1/24"	15	Steel Washer		6	D1/4"xD25/64" xT1/16"
8	Cap Nut		6	UNC1/4"					

ASSEMBLY STEPS

Step 1: Roof Kit Assembly

Parts standby



No.4x 1 pc
Roof Panel

Polycarbonate is specialized in researching and developing polycarbonate series products. We devote our professional and individualized service to international and domestic customers. We introduce complete modern copolyester and with the advantage of using Lexan PC resin from Sabic, Panlite PC resin from Teijin in Japan, and Makrolon resin from Bayer in Germany, and Inlite from Samsung in Korea, can provide large ranges of polycarbonate, such as Polycarbonate film, Polycarbonate solid sheet, Frosted sheet, Diffusion sheet, Embossed sheet, Static dissipative sheet, Building polycarbonate sheet and industrial sheet. Besides, we also have optical polycarbonate, flame resistant sheet, Anti-UV sheet (Weatherability resistant), Screen printing purpose sheet, and general purpose sheet, etc.

Furthermore, with a full series of advanced and professional plastic processing equipment such as: High precision CNC machining center, Laser cutting machines, Precision engraving machines, Silk screen printing machines, constant temperature and humidity chambers, Ultrasonic welding machines, Polishing machines, Press brake machines, Saw cutting machines, Milling machines, Drilling machines, Edge trimmers, etc. We can provide various of custom made plastic secondary operations.

Our processing parts are widely applied in many fields such as Aerospace, train, auto and ship manufacture, plastic mould, machinery enclosure, hard-MEIGLARE, decorative lighting, Clock & Watch, plastic electronics etc. The authentication for our products include ISO 9001:2008, ISO 14001:2004, DIN EN ISO 9001, UL 94, TUV, BS6853, etc.

Polycarbonate staff have been following theories of "Leading quality, excellent service", and with strong technical strength, high quality professional talents, first class and efficient management, we set up good enterprise image.

Looking forward to establishing a long-term cooperation with you!

Polycarbonate (abbreviated PC) characteristic:

1. High transparency: Max 95%
2. Impact resistance: PC's high impact resistance material, e.g. 4.5mm thickness sheet is bullet-proof.
3. Good printing: its easy to be printed with traditional ink, so that pre-treatment on surface is unnecessary.
4. Good flame resistant: UL94 V0 or V2 class.
5. Good insulation: Surface resistivity: $3.00 \times 10^{12} \Omega$.
6. High heat resistance: Heat deflection temperature of 177.3 degrees Celsius.
7. Widely temperature range: -30°C to 120°C.
8. Excellent sound insulation effect: 35dB decreased by 6mm PC sheet.
9. Good weatherability: anti-UV, 10 years not yellowing.
10. Light weight and toughness: its light, easy to be installed and for transportation.
11. Flexibility: The mincurved radius is 175 times of the board thickness.
12. Energy saving: heat insulation max 9%.
13. Excellent anti-frost performance.

PC
polycarbonate sheet

Polycarbonate is specialized in researching and developing polycarbonate series products. We devote our professional and individualized service to international and domestic customers. We introduce complete modern copolyester and with the advantage of using Lexan PC resin from Sabic, Panlite PC resin from Teijin in Japan, and Makrolon resin from Bayer in Germany, and Inlite from Samsung in Korea, can provide large ranges of polycarbonate, such as Polycarbonate film, Polycarbonate solid sheet, Frosted sheet, Diffusion sheet, Embossed sheet, Static dissipative sheet, Building polycarbonate sheet and industrial sheet. Besides, we also have optical polycarbonate, flame resistant sheet, Anti-UV sheet (Weatherability resistant), Screen printing purpose sheet, and general purpose sheet, etc.

Furthermore, with a full series of advanced and professional plastic processing equipment such as: High precision CNC machining center, Laser cutting machines, Precision engraving machines, Silk screen printing machines, constant temperature and humidity chambers, Ultrasonic welding machines, Polishing machines, Press brake machines, Saw cutting machines, Milling machines, Drilling machines, Edge trimmers, etc. We can provide various of custom made plastic secondary operations.

Our processing parts are widely applied in many fields such as Aerospace, train, auto and ship manufacture, plastic mould, machinery enclosure, hard-MEIGLARE, decorative lighting, Clock & Watch, plastic electronics etc. The authentication for our products include ISO 9001:2008, ISO 14001:2004, DIN EN ISO 9001, UL 94, TUV, BS6853, etc.

Polycarbonate staff have been following theories of "Leading quality, excellent service", and with strong technical strength, high quality professional talents, first class and efficient management, we set up good enterprise image.

Looking forward to establishing a long-term cooperation with you!

Polycarbonate (abbreviated PC) characteristic:

1. High transparency: Max 95%
2. Impact resistance: PC's high impact resistance material, e.g. 4.5mm thickness sheet is bullet-proof.
3. Good printing: its easy to be printed with traditional ink, so that pre-treatment on surface is unnecessary.
4. Good flame resistant: UL94 V0 or V2 class.
5. Good insulation: Surface resistivity: $3.00 \times 10^{12} \Omega$.
6. High heat resistance: Heat deflection temperature of 177.3 degrees Celsius.
7. Widely temperature range: -30°C to 120°C.
8. Excellent sound insulation effect: 35dB decreased by 6mm PC sheet.
9. Good weatherability: anti-UV, 10 years not yellowing.
10. Light weight and toughness: its light, easy to be installed and for transportation.
11. Flexibility: The mincurved radius is 175 times of the board thickness.
12. Energy saving: heat insulation max 9%.
13. Excellent anti-frost performance.

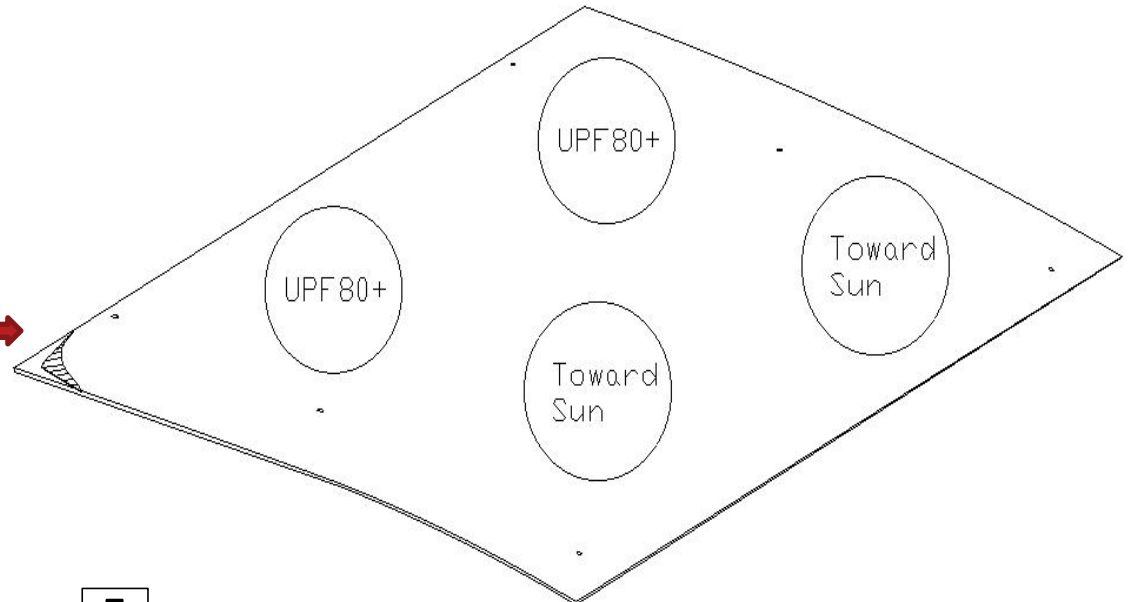
PC
polycarbonate sheet

① Please note the roof panel is film coated on both surfaces. The surface printed specification information **MUST** be toward sun when installation.

② Tear off two side films before installation. Mark the surfaces "up" or "down" with a mark pen for identification.



Tear off

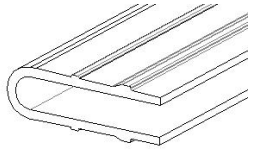


ASSEMBLY STEPS

Step 1: Roof Kit Assembly



Parts standby

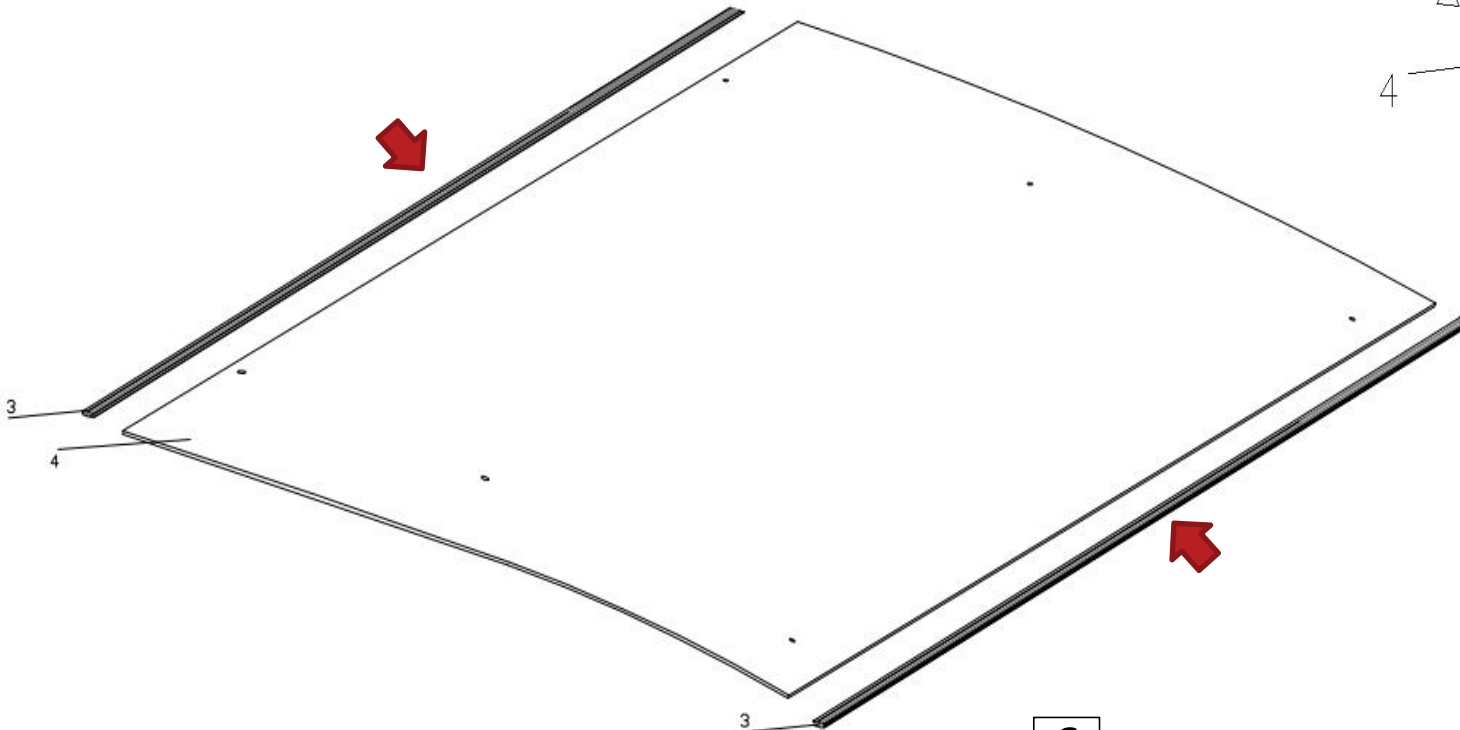
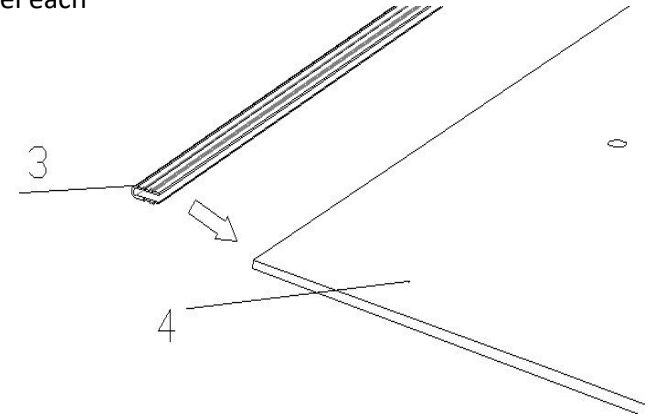


No.3x 2 pcs
Rubber Sealing Strip



No.4x 1 pc
Roof Panel

③ Cap the 2 pieces rubber strips #3 onto the roof panel each side edges along with width direction.



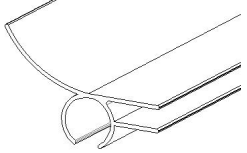
6

ASSEMBLY STEPS

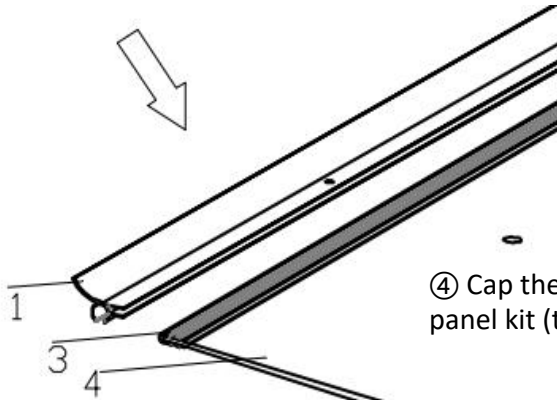
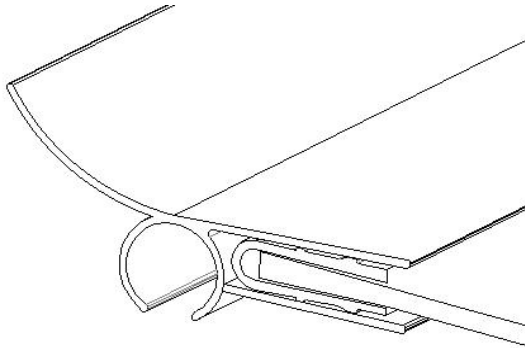
Step 1: Roof Kit Assembly



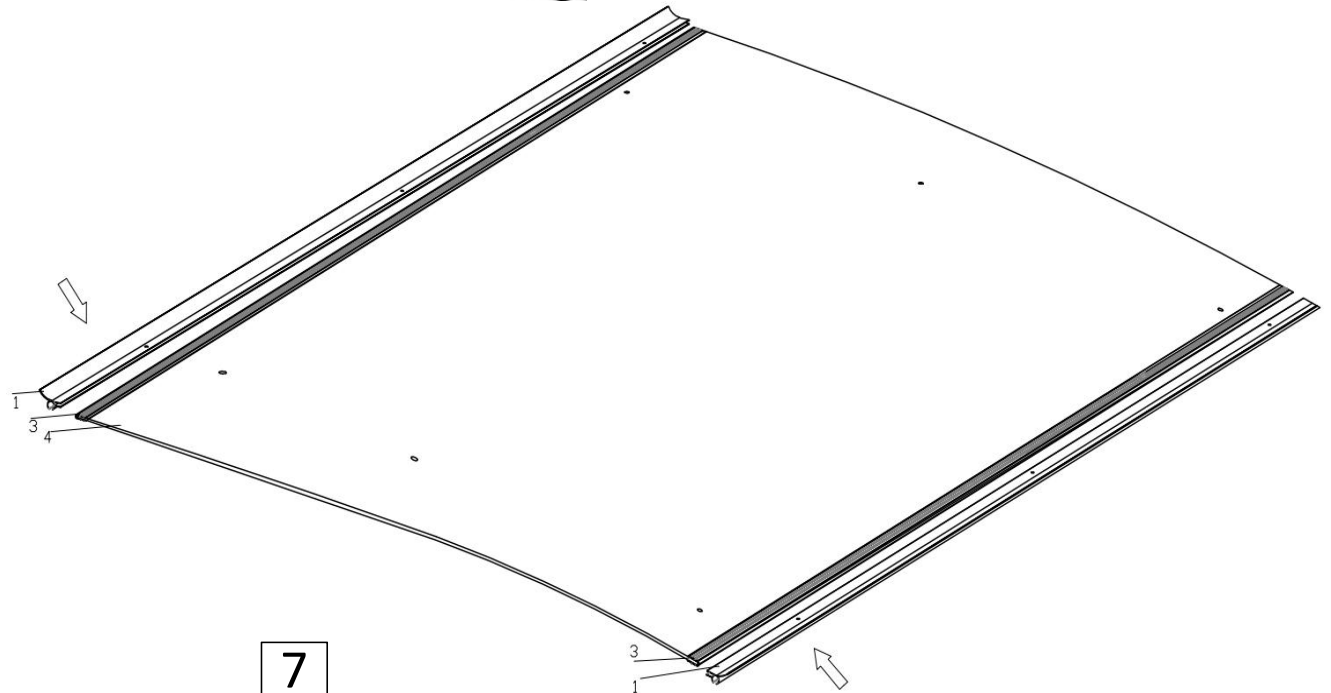
Parts standby



No.1x 2 pcs
Front/Rear Beam



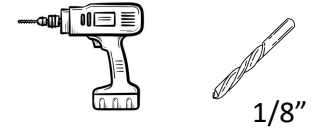
④ Cap the front/rear beam #1 into the rubber sealing strip & roof panel kit (the group of #3) in the same way.



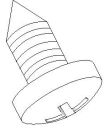
7

ASSEMBLY STEPS

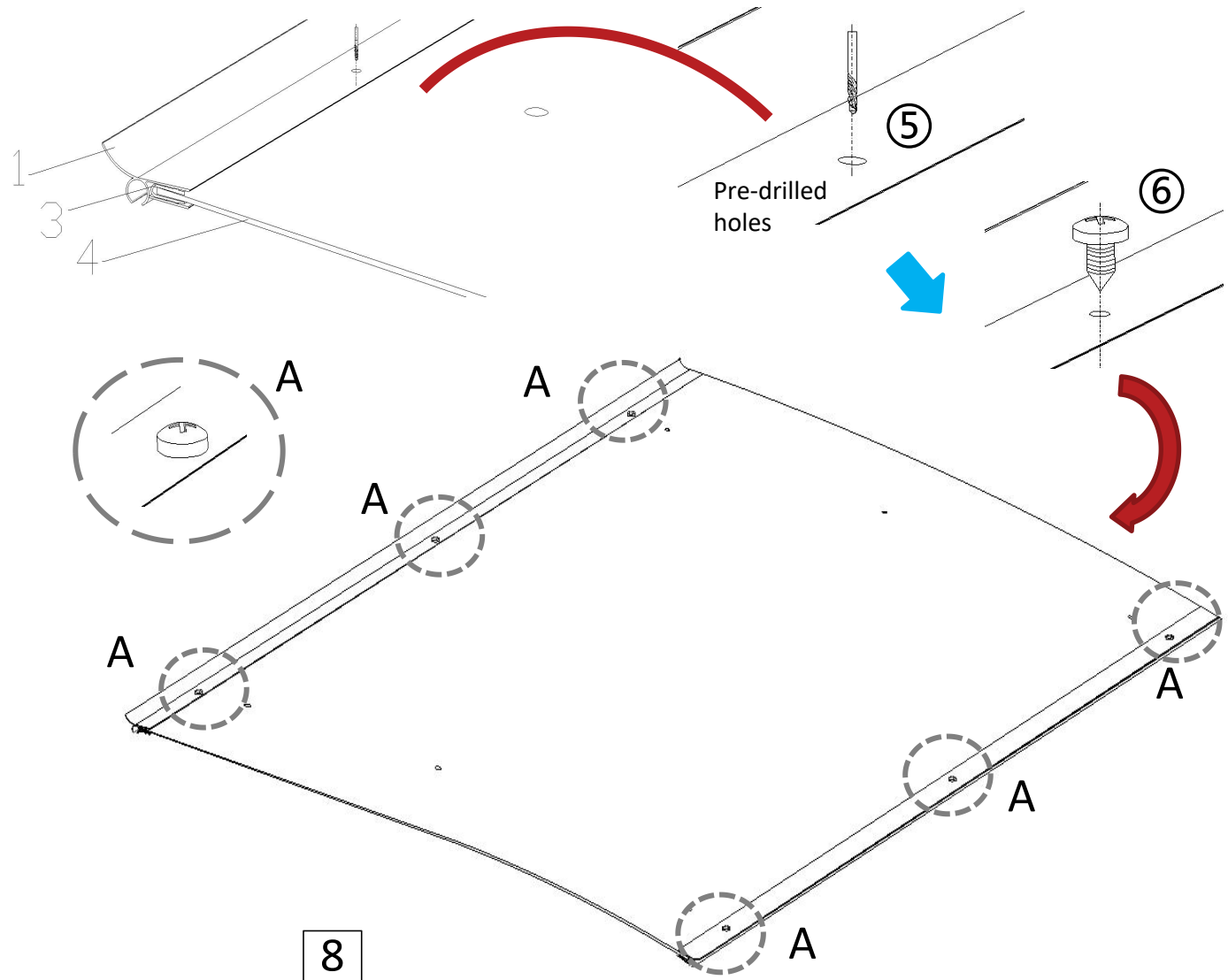
Step 1: Roof Kit Assembly



Parts standby



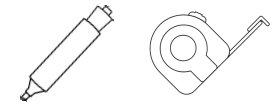
No.9x 6 pcs
Self-tapping Screw



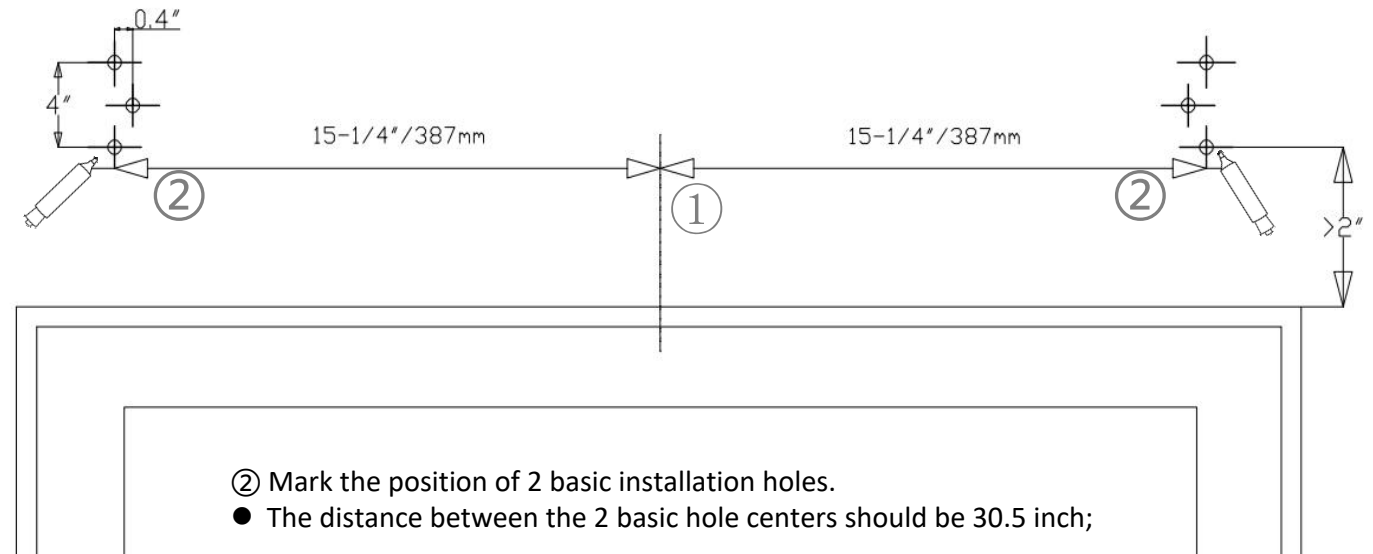
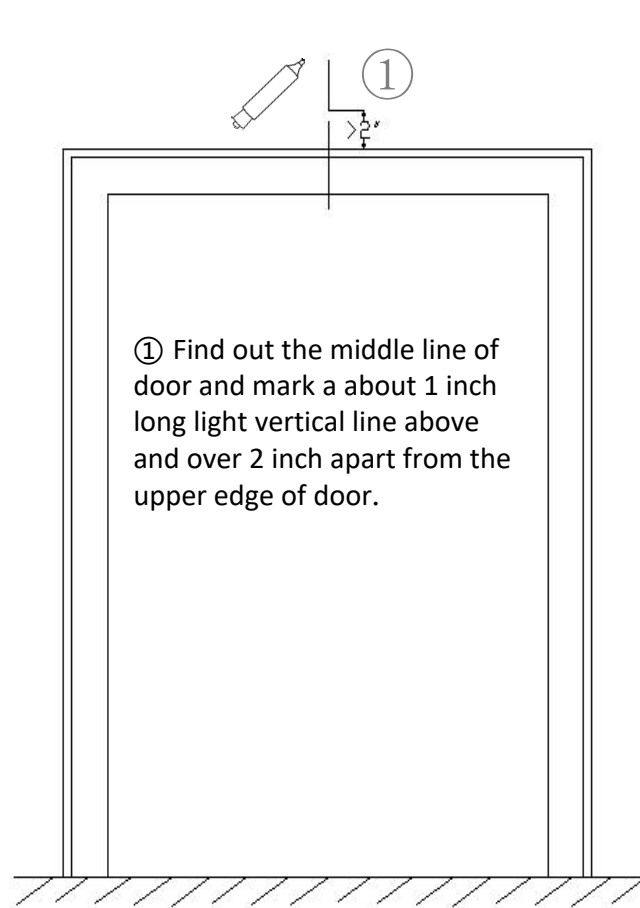
⑤ Drill through the sealing strip #3 & roof panel #4 from up to bottom along with the holes pre-drilled on front/back beam with a 1/8" drill bit one by one. Total 6 pieces.

⑥ Then screw the 3 materials, #1, #3 & #4 together with the self-tapping screws #9 provided in the hardware bag. Total 6 pieces.

ASSEMBLY STEPS

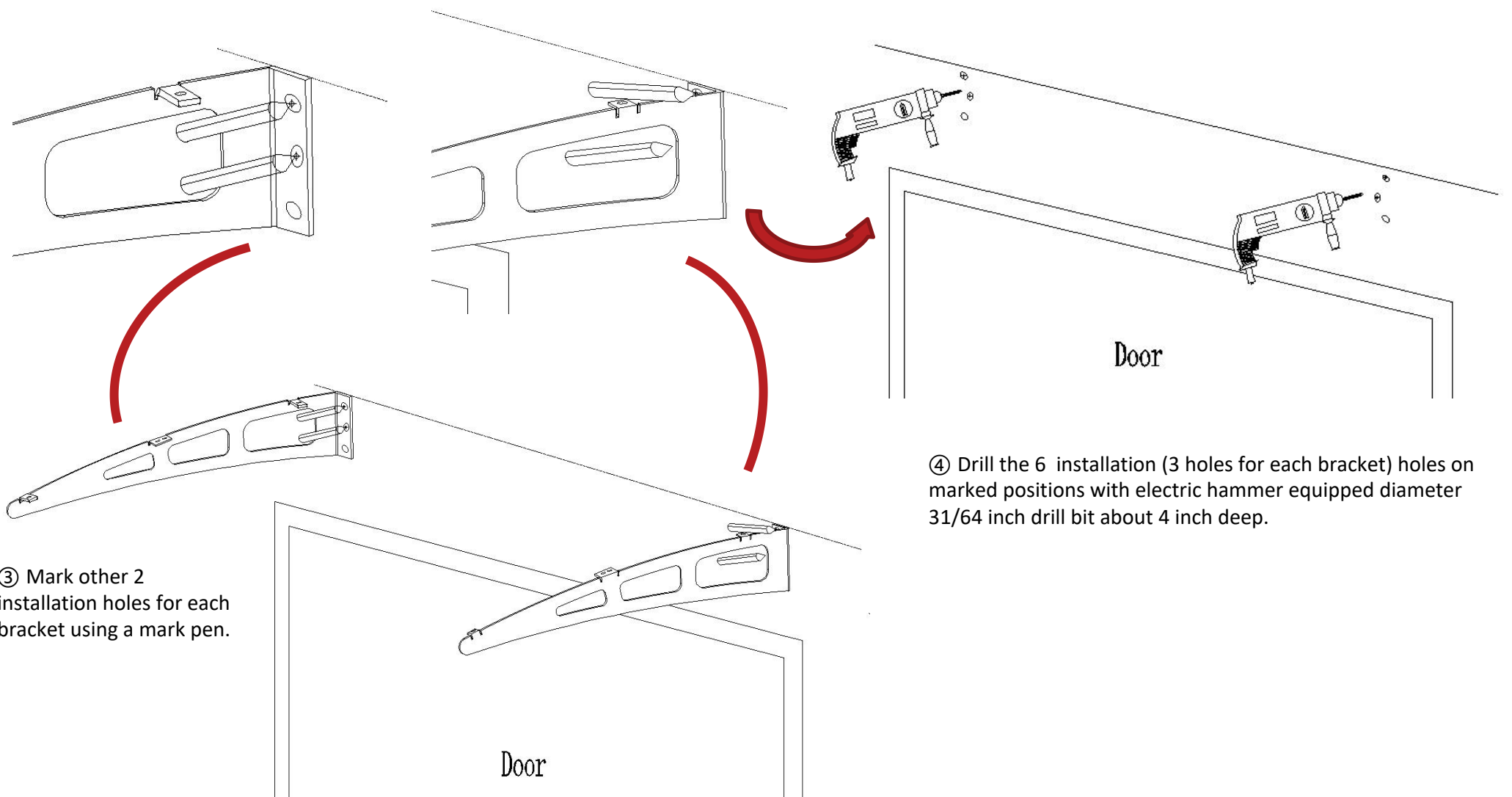
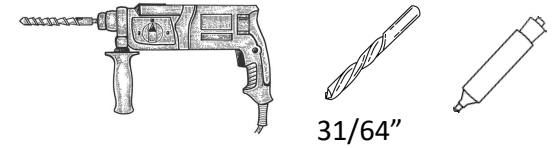


Step 2: Supporting Bracket Installation



ASSEMBLY STEPS

Step 2: Supporting Bracket Installation

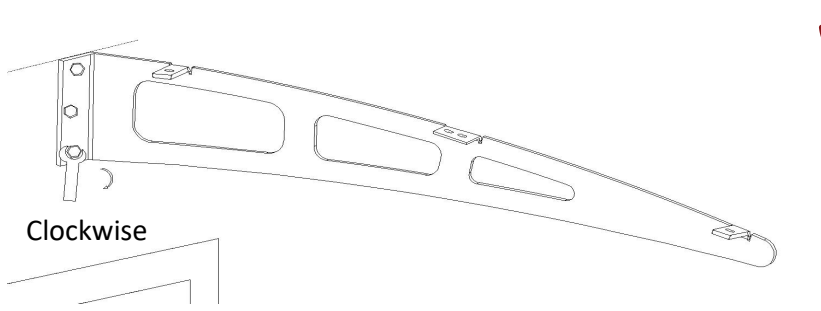
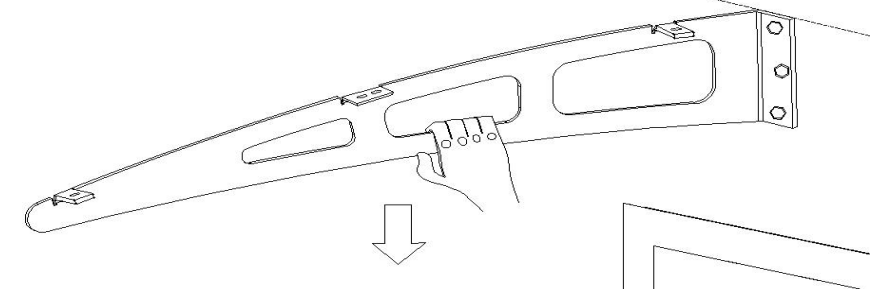
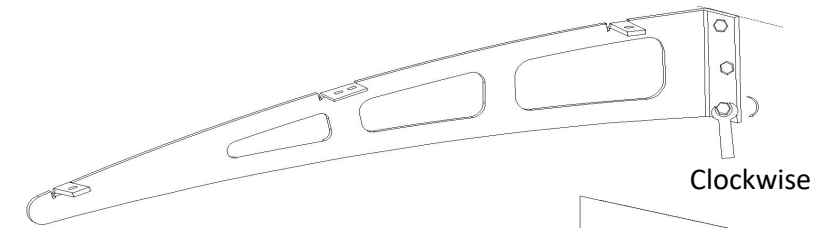
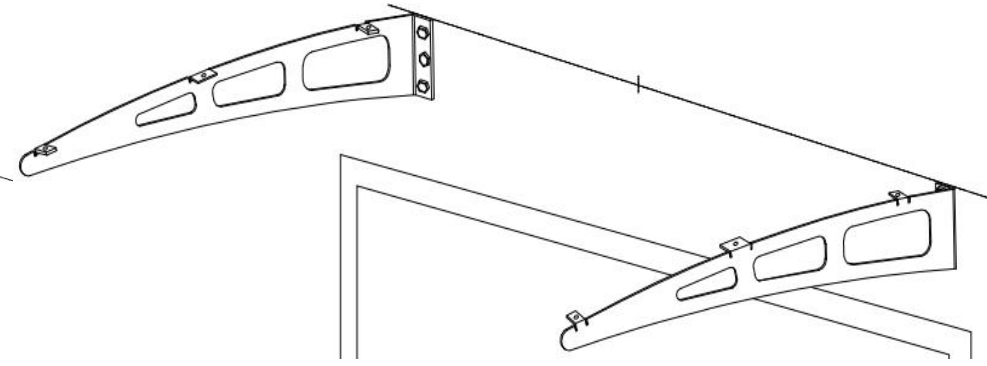
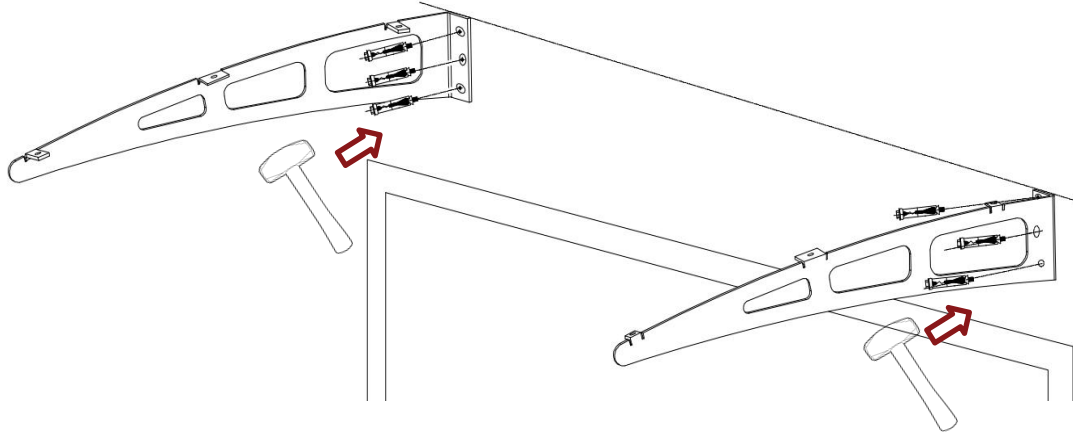
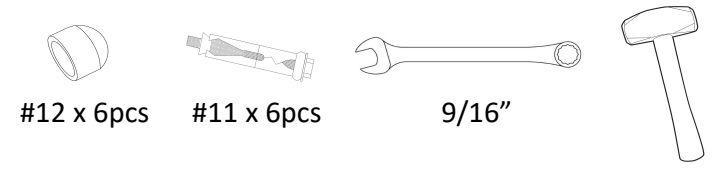


③ Mark other 2 installation holes for each bracket using a mark pen.

④ Drill the 6 installation (3 holes for each bracket) holes on marked positions with electric hammer equipped diameter 31/64 inch drill bit about 4 inch deep.

ASSEMBLY STEPS

Step 2: Supporting Bracket Installation

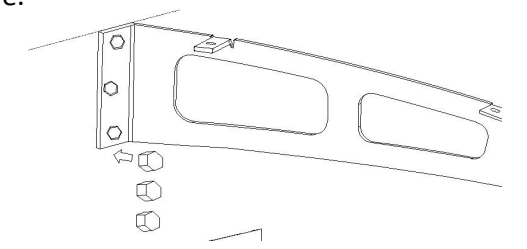


⑤ Insert and knock all of the 6 bolts #11 into installation holes one by one, then tighten them in clockwise.

⑥ Pull the brackets downward hard to check whether they're fixed securely or not.

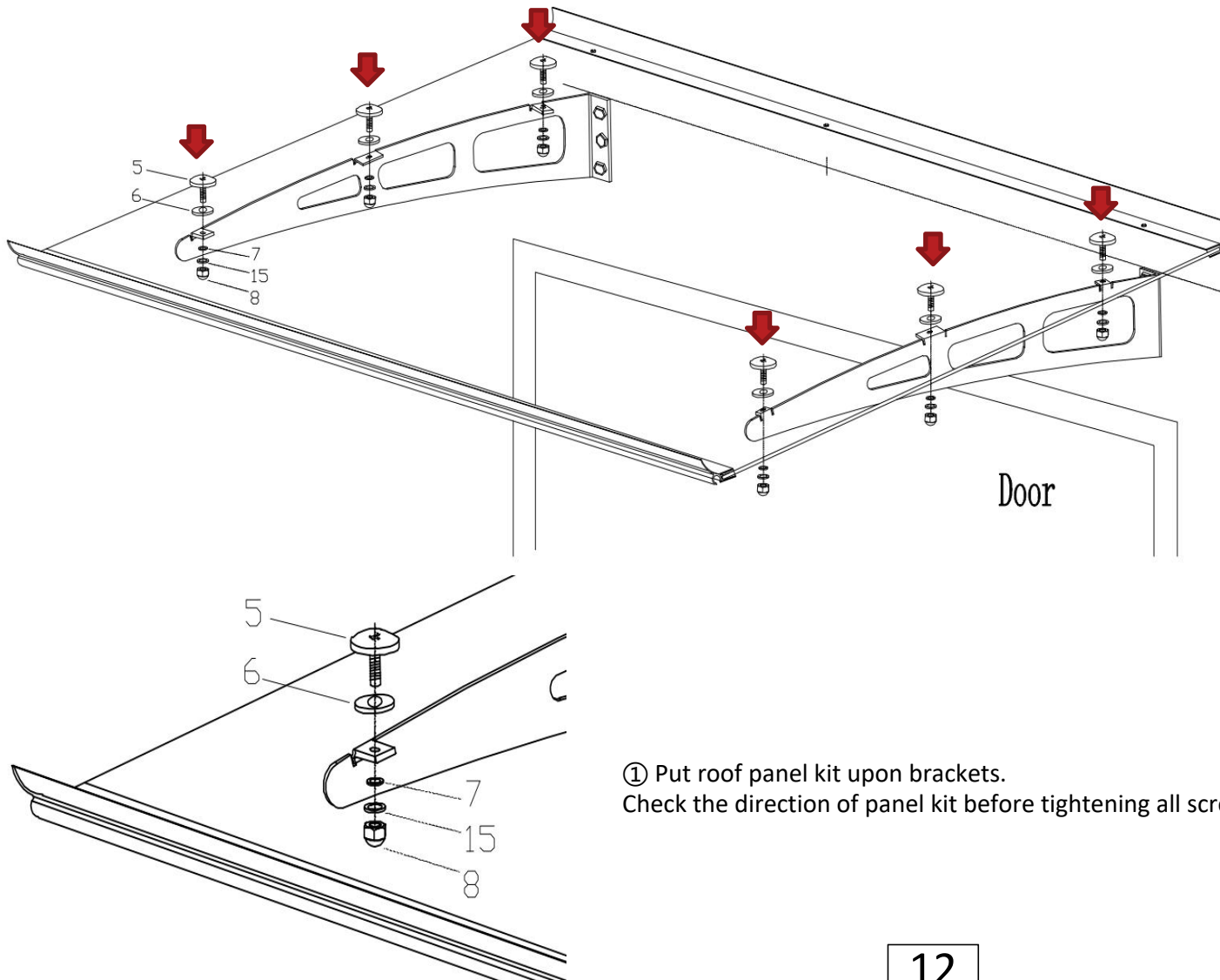
If they are not secure enough, the bolts might be not tightened. You need check and tighten them.

⑦ Cap all bolts with the plastic bolt caps #12 included in hardware bag if the 2 brackets are secure.

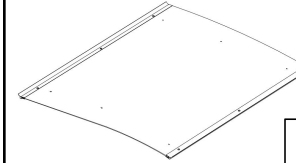


ASSEMBLY STEPS

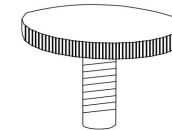
Step 3: Roof Panel Kit Installation



Parts standby



Roof Panel Kit x 1pc



No.5x 6 pcs
Large Flat Head Screw



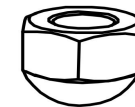
No.6x 6 pcs
Big Rubber Washer



No.7x 6 pcs
Small Rubber Washer



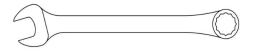
No.15x 6 pcs
Steel Washer



No.8x 6 pcs
Cap Nut

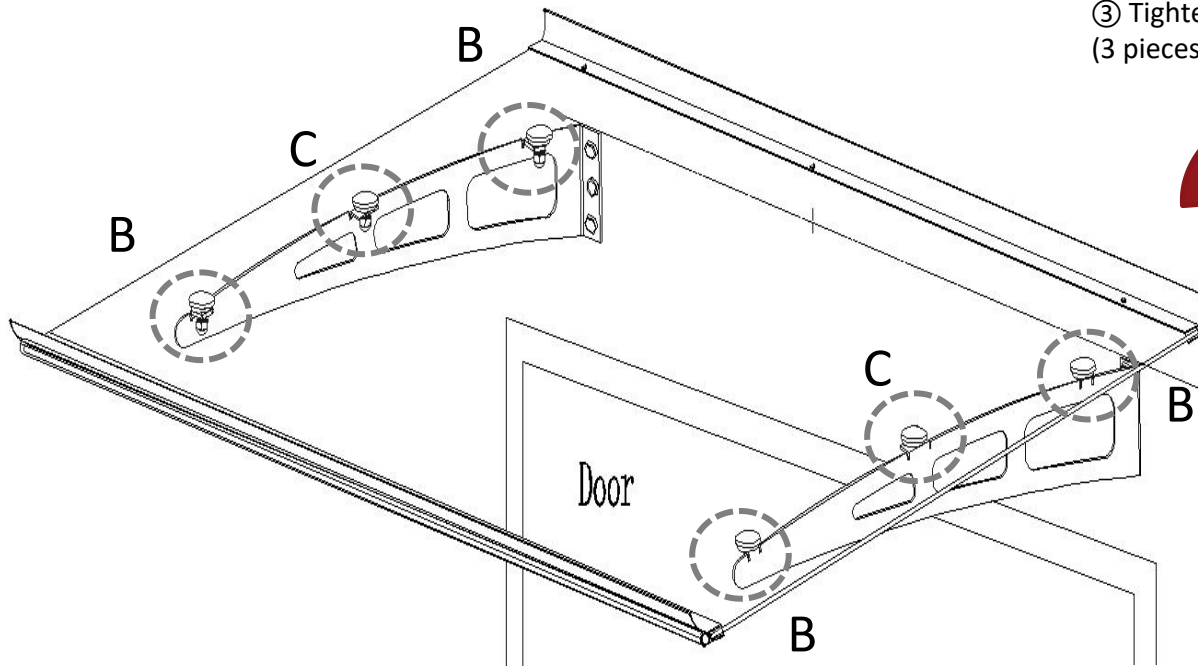
- ① Put roof panel kit upon brackets.
Check the direction of panel kit before tightening all screws and nuts.

ASSEMBLY STEPS

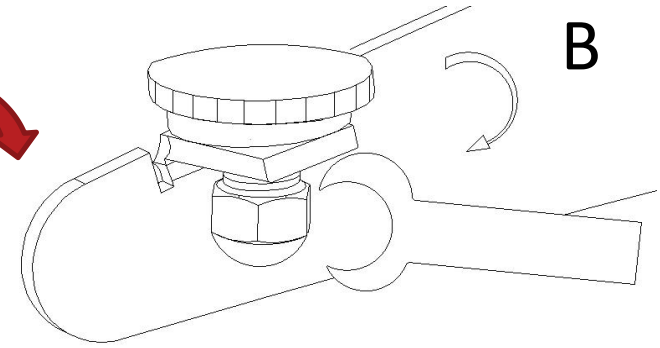


7/16"

Step 3: Roof Panel Kit Installation

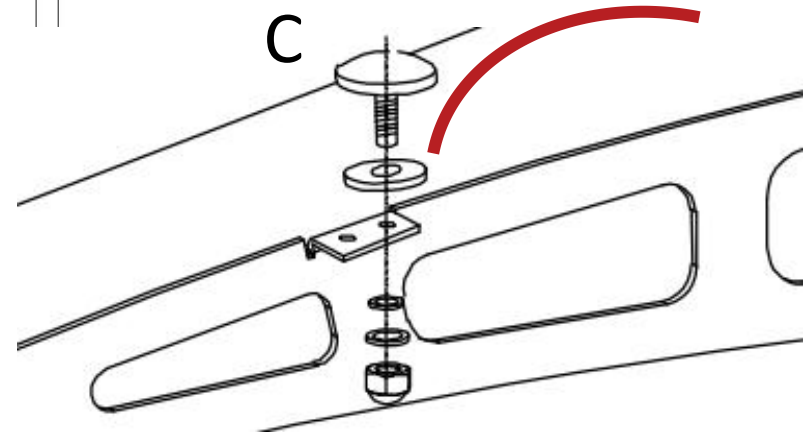


③ Tighten all of the 6 screws & nuts
(3 pieces on each bracket)



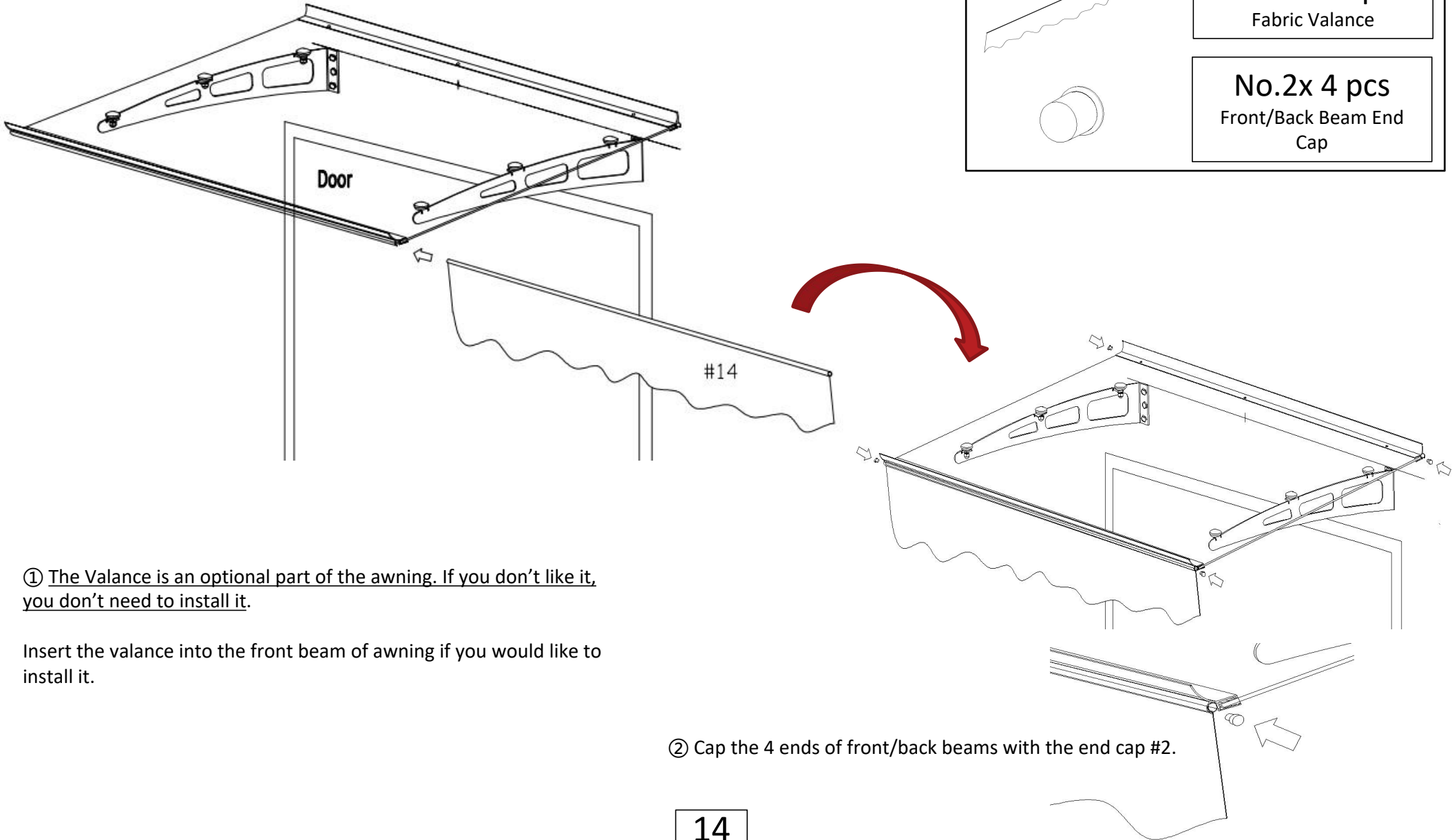
② Install roof panel kit with #5 Large Flat Head Screw, #6 Big rubber sealing washer, #7 small rubber sealing washer, #15 steel washer & #8 cap nut.

Here are 2 holes total but only one hole is used for this model.

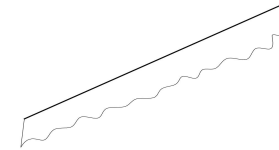


ASSEMBLY STEPS

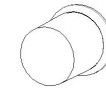
Step 4: Valance Installation



Parts standby



No.14x 1 pc
Fabric Valance



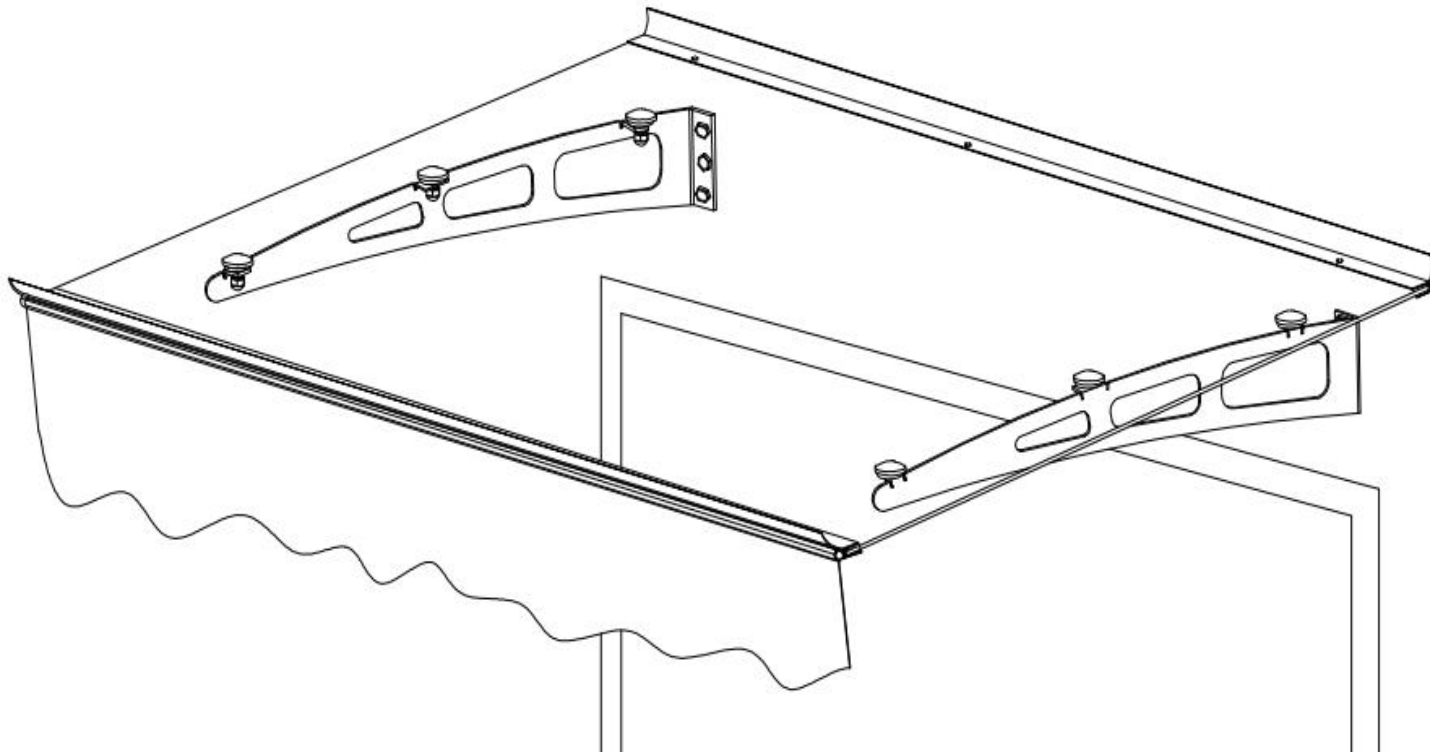
No.2x 4 pcs
Front/Back Beam End
Cap

① The Valance is an optional part of the awning. If you don't like it, you don't need to install it.

Insert the valance into the front beam of awning if you would like to install it.

② Cap the 4 ends of front/back beams with the end cap #2.

Well done! Congratulation!



You've completed all steps of installation.
Great Job!