

# Jinhua Firelife Hardware Product Co., Ltd.

## TEST REPORT

**SCOPE OF WORK**

Door Awning / Door Canopy

**REPORT NUMBER**

240604001SHF-001

**TEST DATE(S)**

2024-06-12 - 2024-06-13

**ORIGINAL ISSUE DATE**

2024-06-18

**PAGES**

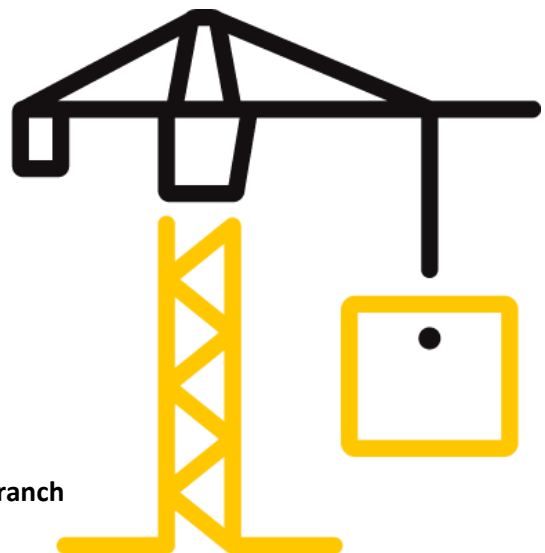
25

**DOCUMENT CONTROL NUMBER**

LFT-APAC-SHF-OP-10k(February 1, 2024)

© 2024 INTERTEK

Intertek Testing Services Shenzhen Ltd. Shanghai Fengxian Branch



## Test Report

### Statement

- 1.This report is invalid without company's special seal for testing on the assigned page.
- 2.This report is invalid without an authorized person's signature.
- 3.This report is invalid if altered.
- 4.Only the Client is authorized to permit copying or distribution of this report and then only in its entirety. Don't copy this report in partial without any official approval in written by our company. This report is invalid without re-stamping the special seal for testing in copying report.
- 5.This report is for the exclusive use of Intertek's Client and is provided pursuant to the agreement between Intertek and its Client. Intertek's responsibility and liability are limited to the terms and conditions of the agreement. Intertek assumes no liability to any party, other than to the Client in accordance with the agreement, for any loss, expense or damage occasioned by the use of this report. Any use of the Intertek name or one of its marks for the sale or advertisement of the tested material, product or service must first be approved in writing by Intertek. The observations and test results in this report are relevant only to the sample(s) tested. This report by itself does not imply that the material, product, or service is or has ever been under an Intertek certification program.
- 6.Except for the obligation, responsibility and liability (if any) for the appropriateness and professionalism of afore-mentioned testing itself within the scope and amount of the testing fee received, Intertek does not and will not accept any other obligation or liability.
- 7.If the Client has any questions about the test results, Intertek B&C should be informed within the storage period of the samples. The sample storage period ends 5 working days after the official report issue date. Samples of certification program are retained for the period required by the certification rules. The samples storage period shall be calculated according to the issue date of the original report in the case of quoting results and modifying reports.
- 8.Intertek B&C will service this report for the entire test record retention period. The test record retention period ends 6 years after this report original issue date. The test record retention period for certification program is 10 years. Test records and other pertinent project documentation will be retained for the entire test record retention period.
- 9.The report was digital signed by Shang Hai, Intertek Group plc, please using Adobe Acrobat Reader to verify the authenticity.

## Test Report

Original Issue Date: 2024-06-18

Intertek Report No. 240604001SHF-001

Applicant: Jinhua Firelife Hardware Product Co., Ltd.

Applicant Address: Floor 1 & 2, NO.8 Huatai South Road, Wangzhaibu Village, Duohu Street, Jindong District, Jinhua City, Zhejiang Province

Attn: Sun Bin

Manufacturer: Jinhua Firelife Hardware Product Co., Ltd.

Address: Floor 1 & 2, NO.8 Huatai South Road, Wangzhaibu Village, Duohu Street, Jindong District, Jinhua City, Zhejiang Province

Test Type: Performance test, samples provided by the applicant.

### Sample information

Product:	Door Awning / Door Canopy
Trade Mark:	/
Model and/or type reference:	5934
Material:	/
Classification of installation and use:	Not Specified
Sample ID:	S240604001SHF.001
Date of receipt of test item:	2024-06-11
Date (s) of performance of tests:	2024-06-12

### Testing information

Standard:	EN 13561:2004+A1:2008 Clause 6
Rating(s):	/
Possible Test Case Verdicts	
Test Case does not apply to the Test object:	N/A
Test object does meet the requirement:	P (Pass)
Test object does not meet the requirement:	F (Fail)

The submitted samples were tested in accordance with specified standards, and listed the result accordingly, refer to text for detail.

Note:1.This report does not involve sampling. The report only reflects conformity of the tested items of the samples provided by the testing applicant. Representativeness and authenticity of the submitted samples are responsibilities of the testing applicant.

### Report Authorized

  
Name: Fred Bao

Title: Reviewer

  
Name: Martin Zhu

Title: Project Engineer



# Test Report

Original Issue Date: 2024-06-18

Intertek Report No. 240604001SHF-001

**Test Items, Method and Results:**

<b>EN 13561:2004+A1:2008</b> <b>External blinds and awnings—Performance requirements including safety</b>			
No.	Test Item	Test Result	Verdict
6	Resistance to snow load (non-retractable external blinds only) The test method of "the resistance to snow load was specified by the Client"	Loading Weight: 135kg; Loading Time: 12 Hours;  The specimen was installed with the Client's provided masonry screws on the steel structural base. Please see Photo 1 for the Resistance to Snow Load Test, and Photo 2 for the masonry screws which were used to install the specimen to conduct the Resistance to Snow Load Test in Appendix B.  There was no visible damage on the specimen during and after 135 kg loading test for 12 hours.	Pass

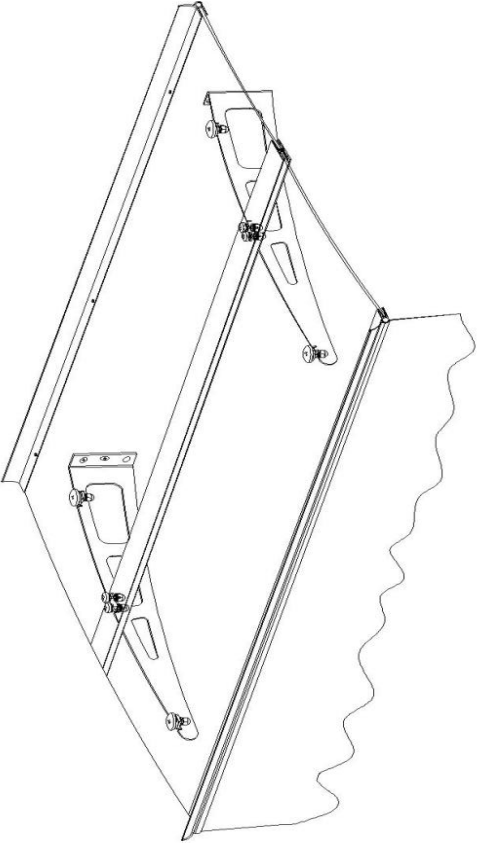
# Test Report

Original Issue Date: 2024-06-18

Intertek Report No.

240604001SHF-001


**Appendix A: Installation Instructions and Product Drawing Provided by the client**




**Door Awning**  
5934C Series  
W59"xD34" / W1500xD870mm

**Assembly Instruction**

Only for masonry house





**x 2 PERSONS**  
TEAM WORK

**Tools needed, not included.**



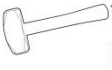

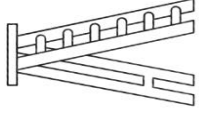










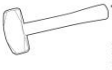

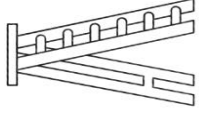



















Fig.1 Installation Instructions and Product Drawing

# Test Report

Original Issue Date: 2024-06-18

Intertek Report No. 240604001SHF-001

## Safety Advice & Cleaning

### Advices on Safety before assembly

- Make sure there are no hidden pipes or cables in the wall before drilling.
- Please strictly follow the steps listed in the instruction manual.
- Sort the parts and check according to the part list & exploded drawing.
- At least 2 persons are needed to assemble the awning.
- Do not attempt to assemble the awning in windy, snowing or rainy conditions.
- Always wear shoes, gloves, helmet and safety goggles.
- Dispose of all plastic bags safely - keep them out of reach of children and pets.
- Keep children and pets away from the assembly zone.
- Do not attempt to assemble the awning if you are tired, have taken drugs, medicine or alcohol, or if you are prone to dizzy.
- When using a stepladder or power tools, ensure that you follow the manufacturers safety advice.
- Please consult your local official if any permits are required to install the awning.

### Cleaning

- If your awning need cleaning, clean all falling things, like leaves, branches, dust, etc with a soft brush.
- Use a kind of mild detergent solution and rinse with cold clean water.
- Do not use corrosive, acetone, abrasive cleaners or other special detergent to clean the roof panel.
- Do not use high-pressure water gun to rinse the roof and Aluminum profiles directly.

**Note:**

You are solely responsible for determining whether handling, storage, assembly, installation or use of this product is safe and appropriate in any location or for any given application. We are not responsible for any damages or injury to you, any other person or any property resulting from the improper handling, storage, installation, assembly or use of this product, or the failure to follow written instructions. Contact your retailer if any question in time.

# Test Report

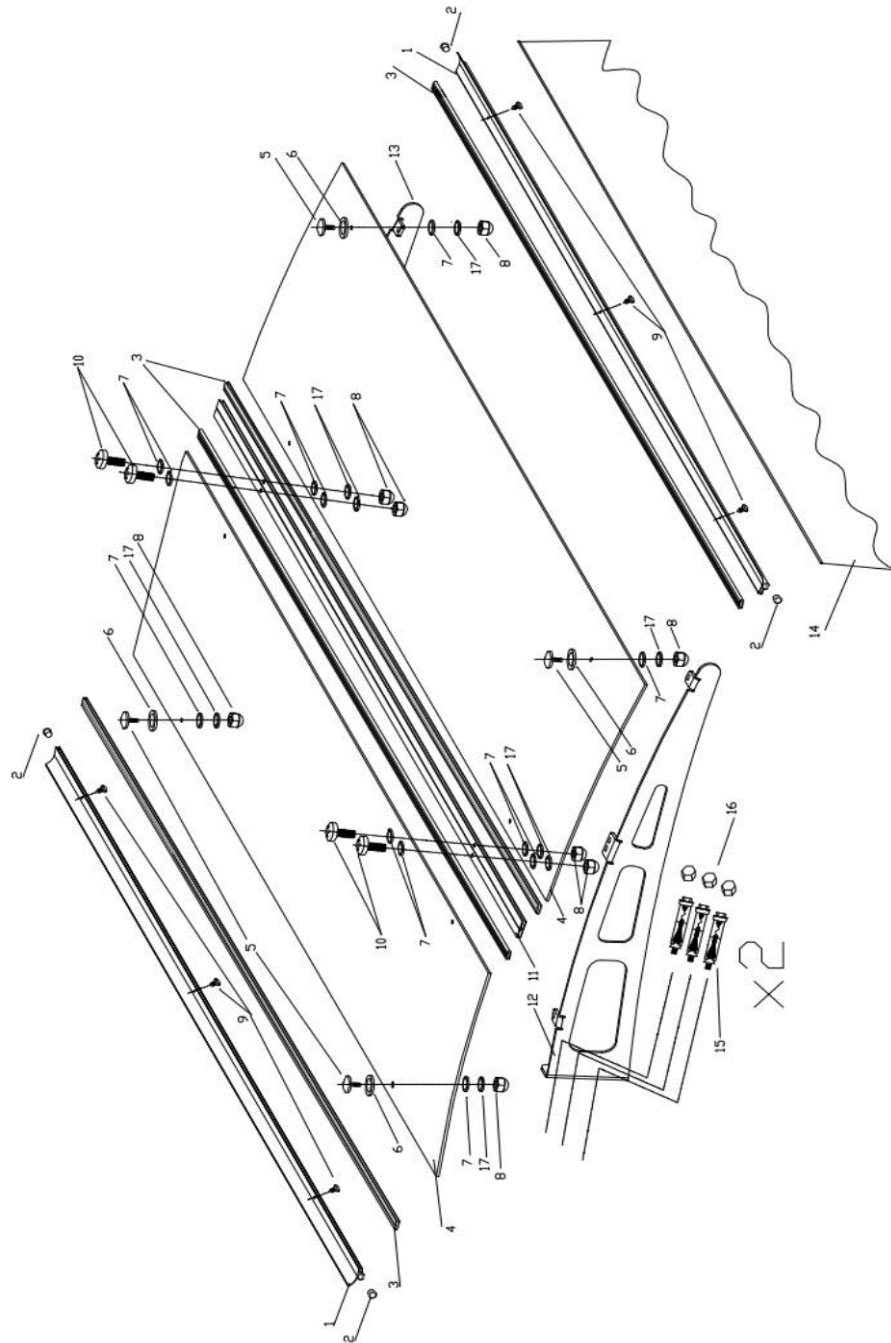
Original Issue Date: 2024-06-18

Intertek Report No.

240604001SHF-001

5734C

**EXPLOSIVE DRAWING**



3










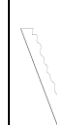


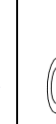




Fig.3 Installation Instructions and Product Drawing

# Test Report

Original Issue Date: 2024-06-18

Intertek Report No. 240604001SHF-001

## PART LIST

5934C series									
PART No.	PART NAME	SECTION FIG.	QTY	SIZE	PART No.	PART NAME	SECTION FIG.	QTY	SIZE
1	Front/Back Beam		2	L150cm/L59"	10	Cross Flat Head Screw		4	UNC1/4"xW1/2" x L3/4"
2	Cap of Front/Back Beam		4	D2/5"x25/64"	11	Middle Beam		1	L150cm/L59"
3	Rubber Sealing Strip		4	L150cm/L59"	12	Left Supporting Bracket		1	L78cm/L31"
4	Roof Panel		2	59"x32-1/2"x0.135"	13	Right Supporting Bracket		1	L78cm/L31"
5	Large Flat Head Screw		4	UNC1/4"x D3/4"x L3/4"	14	Fabric Valance		1	L58"xW6"
6	Big Rubber Sealing Washer		4	D1/4"x D45/64" x T5/64"	15	Masonry Screw		6	UNC5/16"x 3-1/2"
7	Rubber Sealing Washer		12	D1/4"x D25/64" x T1/24"	16	Screw End Cap		6	D3/4"x3/4"
8	Cap Nut		8	UNC1/4"	17	Steel Washer		8	D1/4"x D25/64" x T1/16"
9	Self-tapping Screw		6	UNC1/8"x1/4"					

4

Fig.4 Installation Instructions and Product Drawing



# Test Report

Original Issue Date: 2024-06-18

Intertek Report No. 240604001SHF-001



**ASSEMBLY STEPS**  
**Step 1: Roof Kit Assembly**

- ① Please note the roof panel is film coated on both surfaces. The surface printed specification information **MUST** be toward sun when installation.
- ② Tear off two side films before installation. Mark the surfaces "up" or "down" with a mark pen for identification.

PC polycarbonate sheet

**PC**  
polycarbonate sheet

PC polycarbonate sheet

**PC**  
polycarbonate sheet

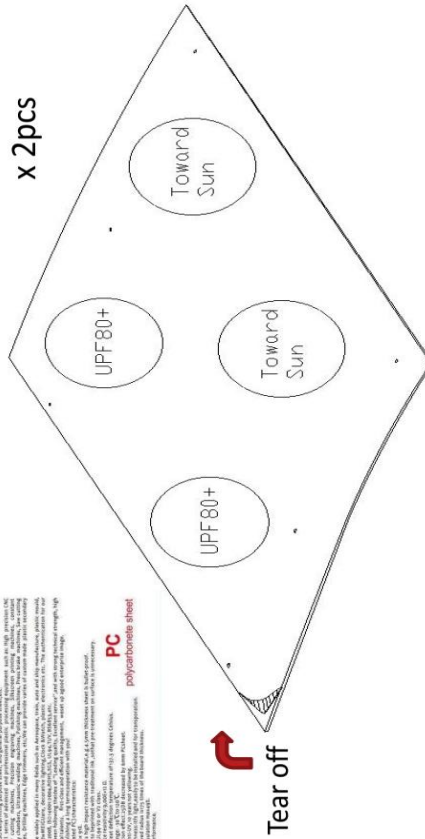
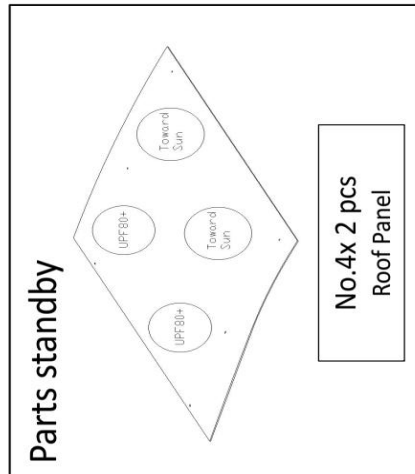


Fig.5 Installation Instructions and Product Drawing

# Test Report

Original Issue Date: 2024-06-18

Intertek Report No. 240604001SHF-001

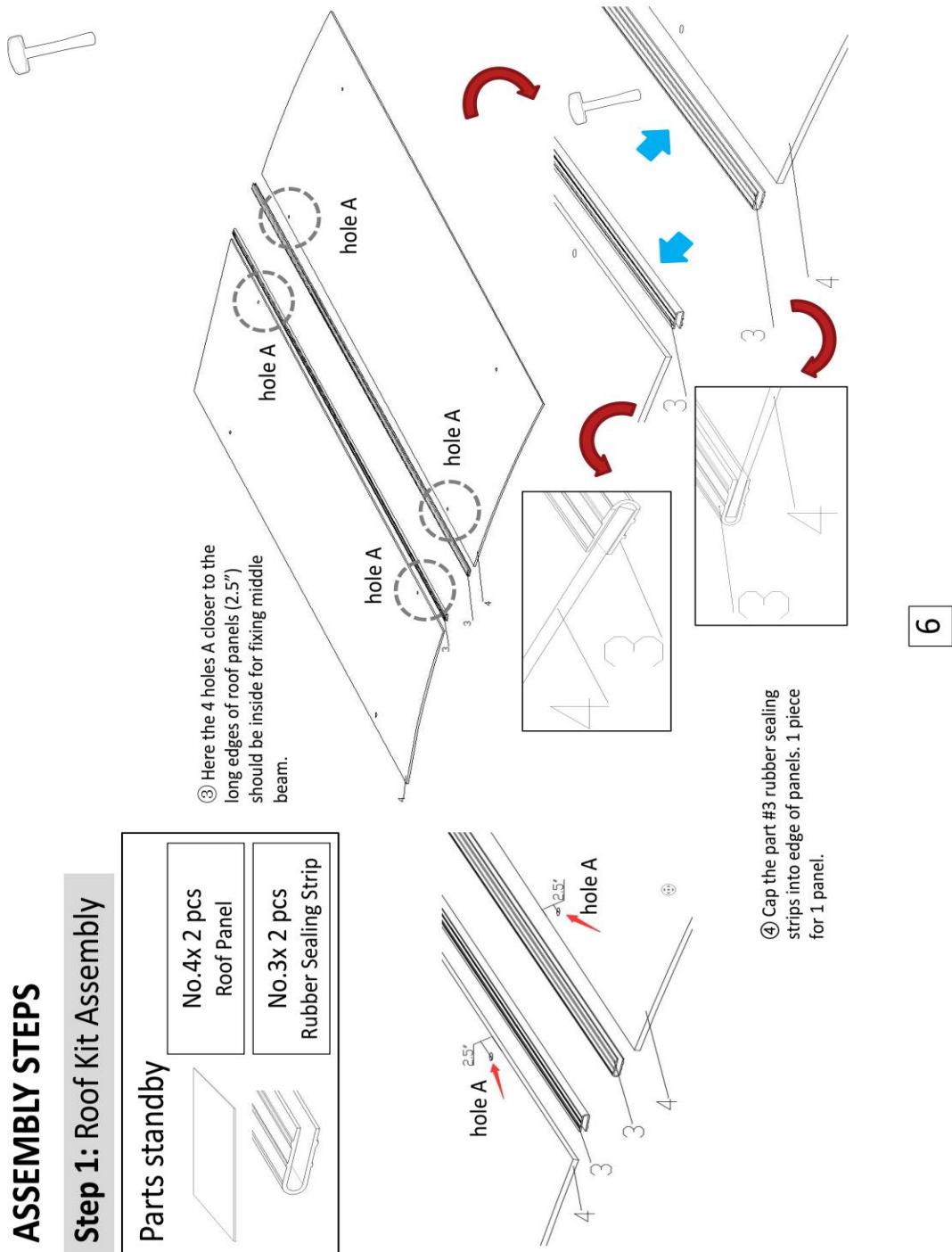
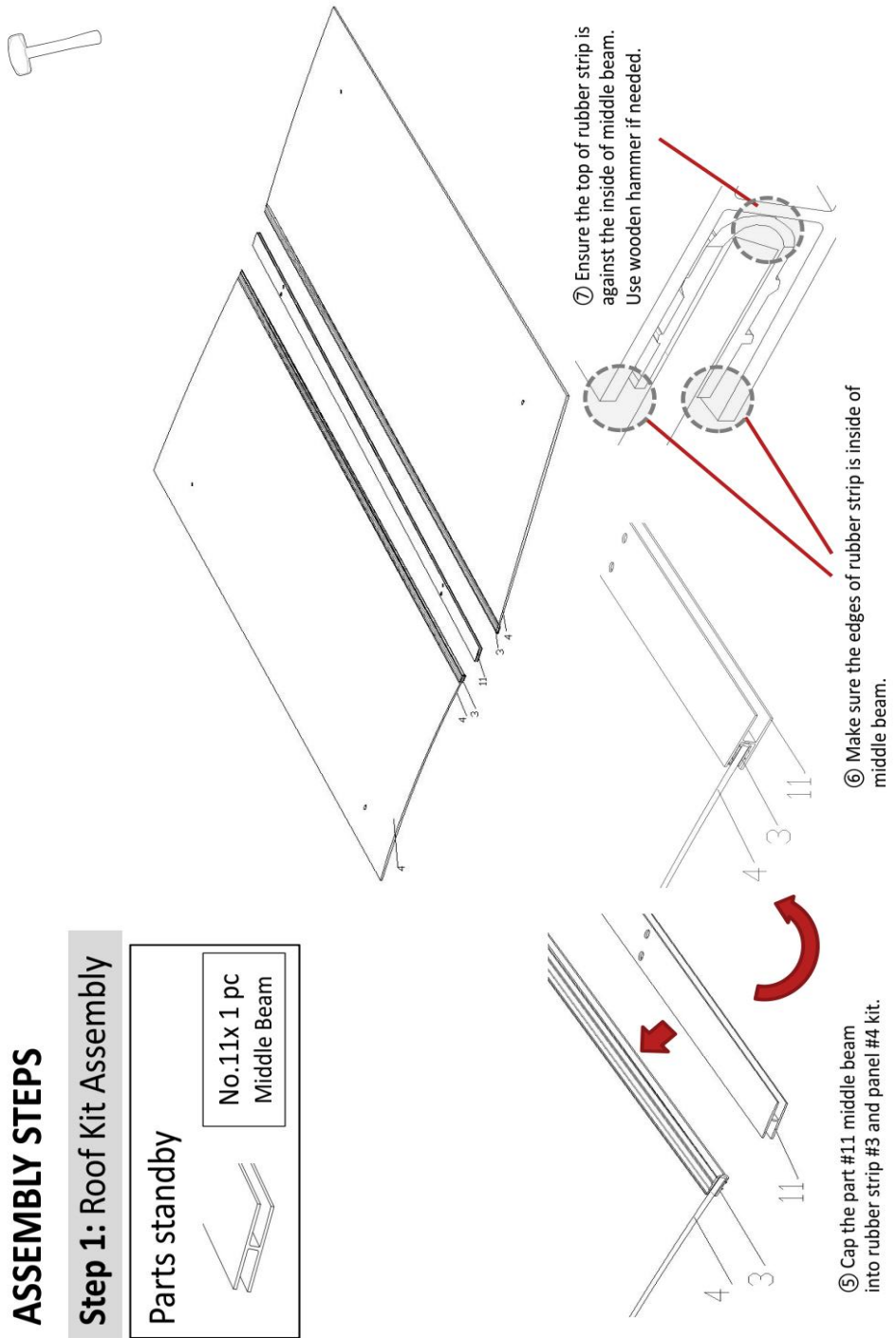


Fig.6 Installation Instructions and Product Drawing

# Test Report

Original Issue Date: 2024-06-18

Intertek Report No. 240604001SHF-001



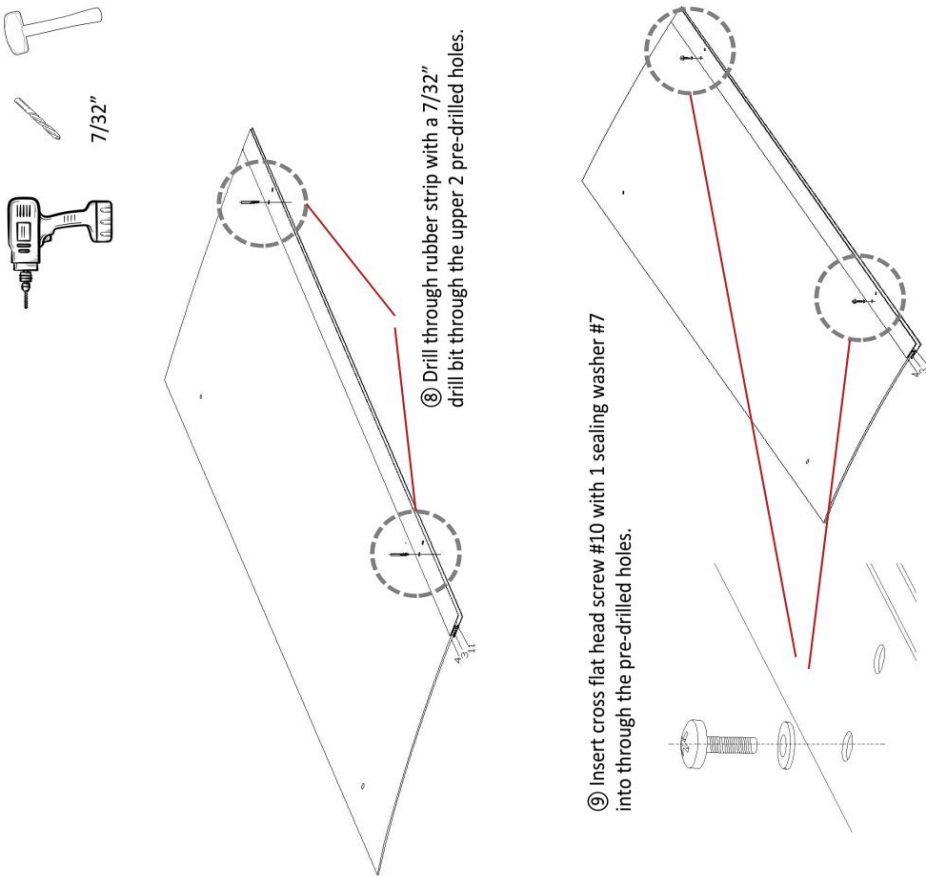
7

Fig.7 Installation Instructions and Product Drawing

# Test Report

Original Issue Date: 2024-06-18

Intertek Report No. 240604001SHF-001



⑧ Drill through rubber strip with a 7/32" drill bit through the upper 2 pre-drilled holes.

⑨ Insert cross flat head screw #10 with 1 sealing washer #7 into through the pre-drilled holes.

## ASSEMBLY STEPS

### Step 1: Roof Kit Assembly

#### Parts standby



No.10x 2 pcs  
Cross Flat Head Screw



No.7x 2 pcs  
Sealing Washer

8

Fig.8 Installation Instructions and Product Drawing

# Test Report

Original Issue Date: 2024-06-18

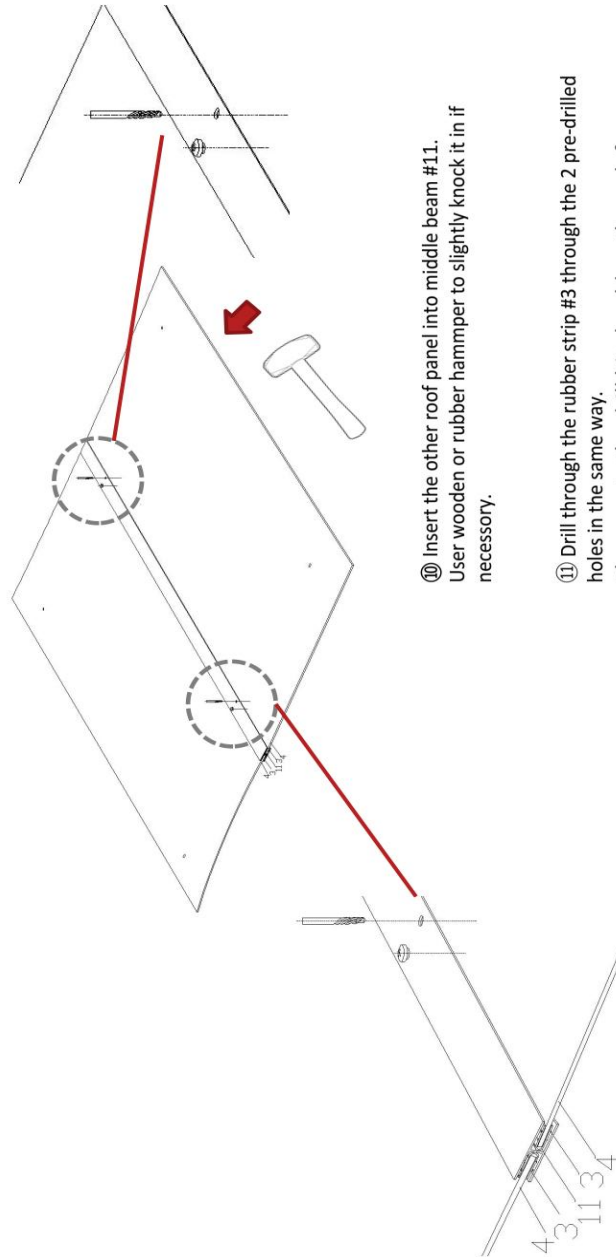
Intertek Report No.

240604001SHF-001



## ASSEMBLY STEPS

### Step 1: Roof Kit Assembly



⑩ Insert the other roof panel into middle beam #11. User wooden or rubber hammer to slightly knock it in if necessary.

⑪ Drill through the rubber strip #3 through the 2 pre-drilled holes in the same way. Please note the drill bit should go through from upper surface to bottom surface of middle beam.

Fig.9 Installation Instructions and Product Drawing

# Test Report

Original Issue Date: 2024-06-18

Intertek Report No. 240604001SHF-001

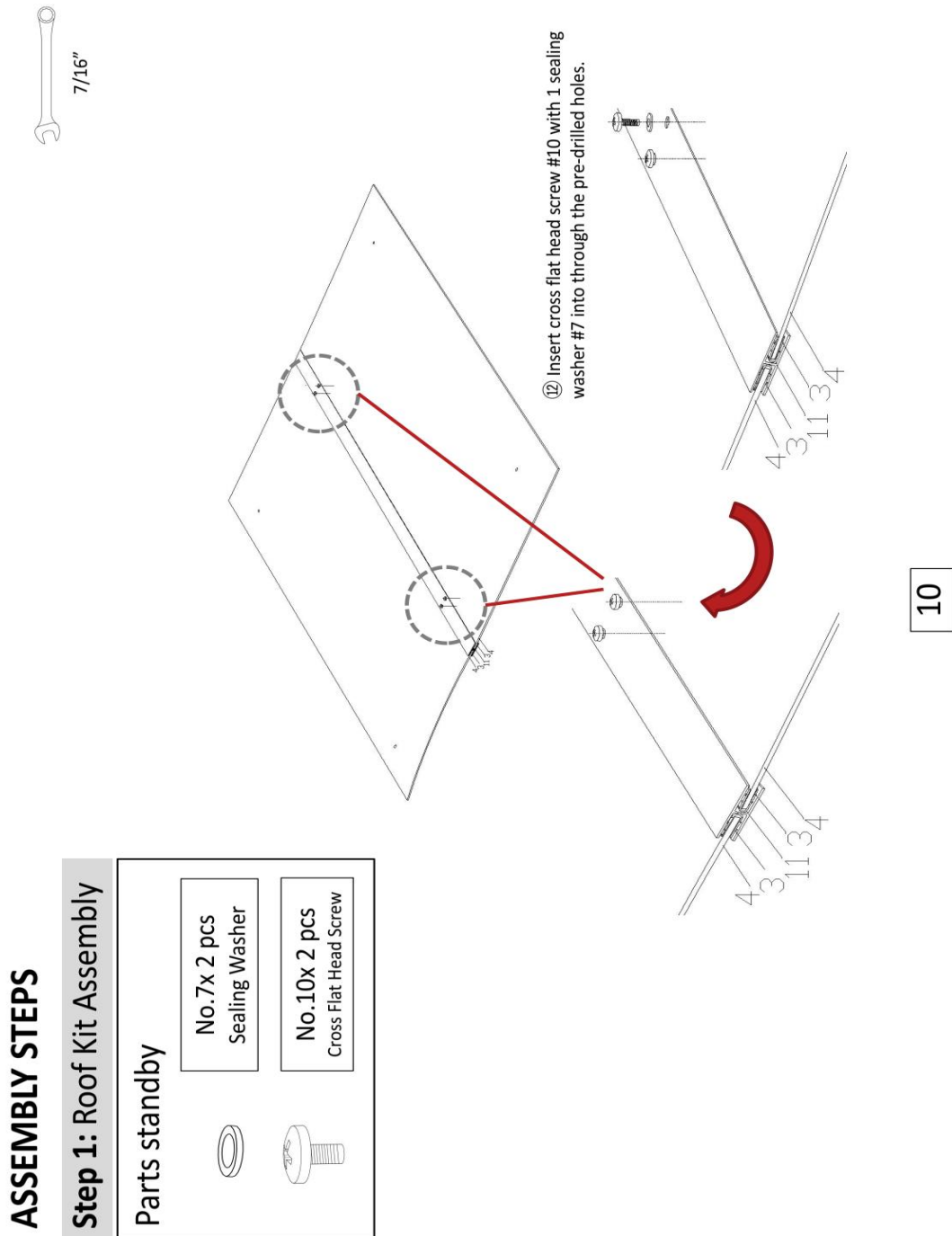


Fig.10 Installation Instructions and Product Drawing

# Test Report

Original Issue Date: 2024-06-18

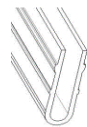
Intertek Report No.

240604001SHF-001

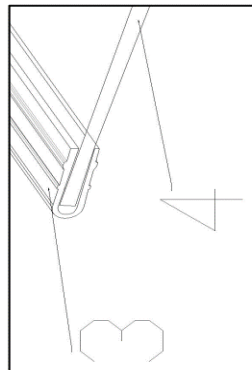
## ASSEMBLY STEPS

### Step 1: Roof Kit Assembly

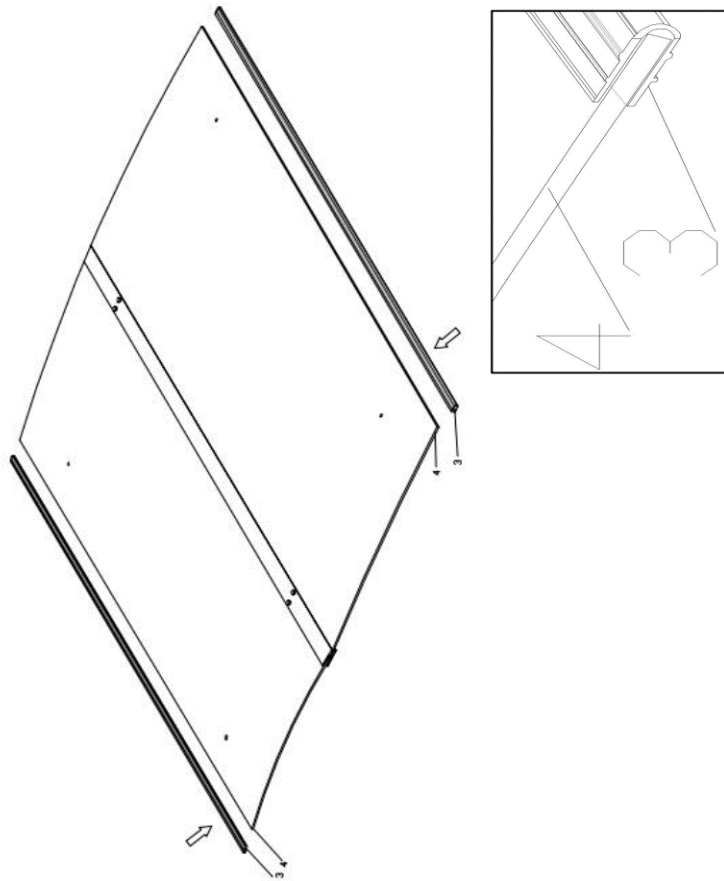
Parts standby



No.3x 2 pcs  
Rubber Sealing Strip



⑬ Install the other 2 pieces of rubber sealing strip onto the outer edges of panels.



11

Fig.11 Installation Instructions and Product Drawing

# Test Report

Original Issue Date: 2024-06-18

Intertek Report No. 240604001SHF-001

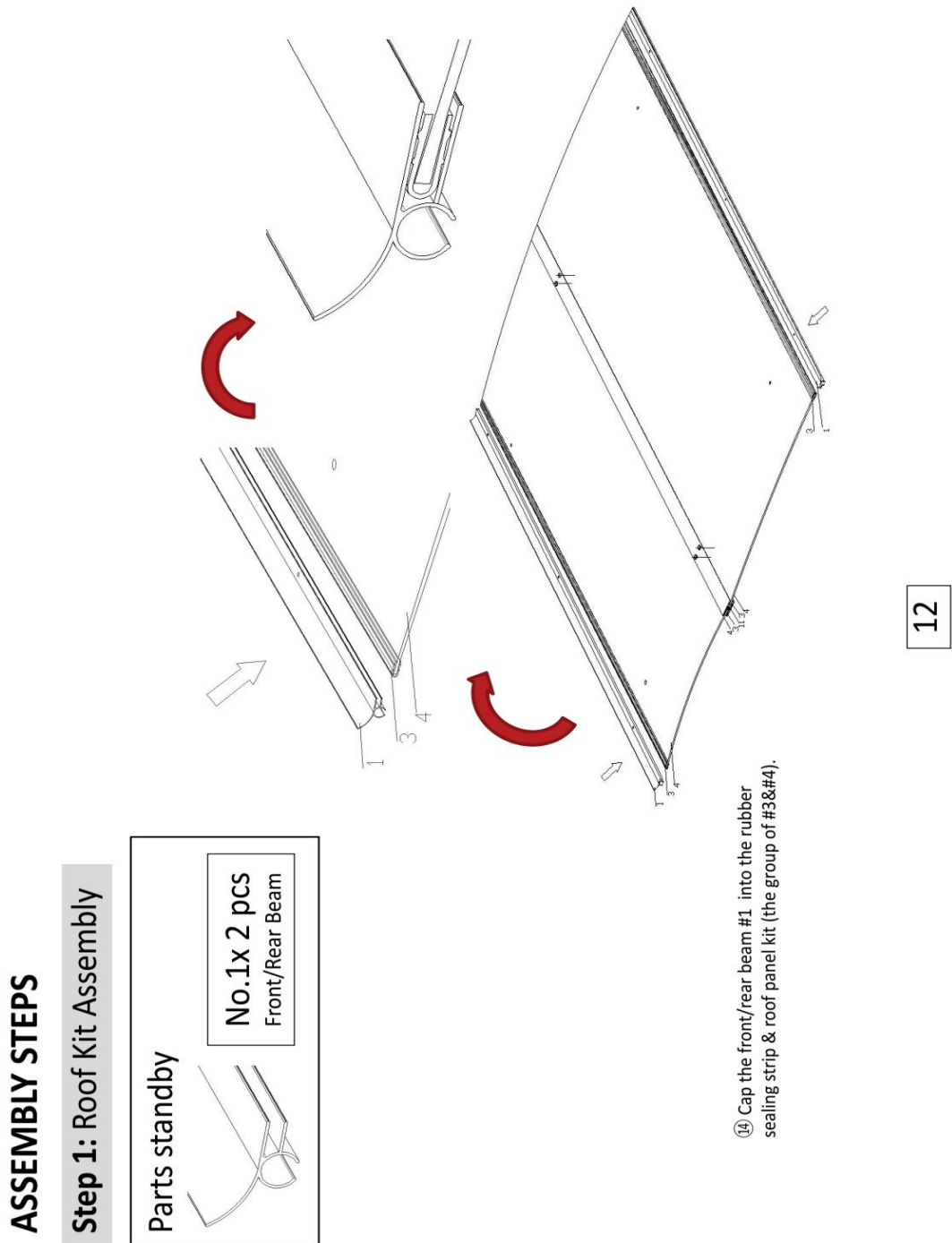


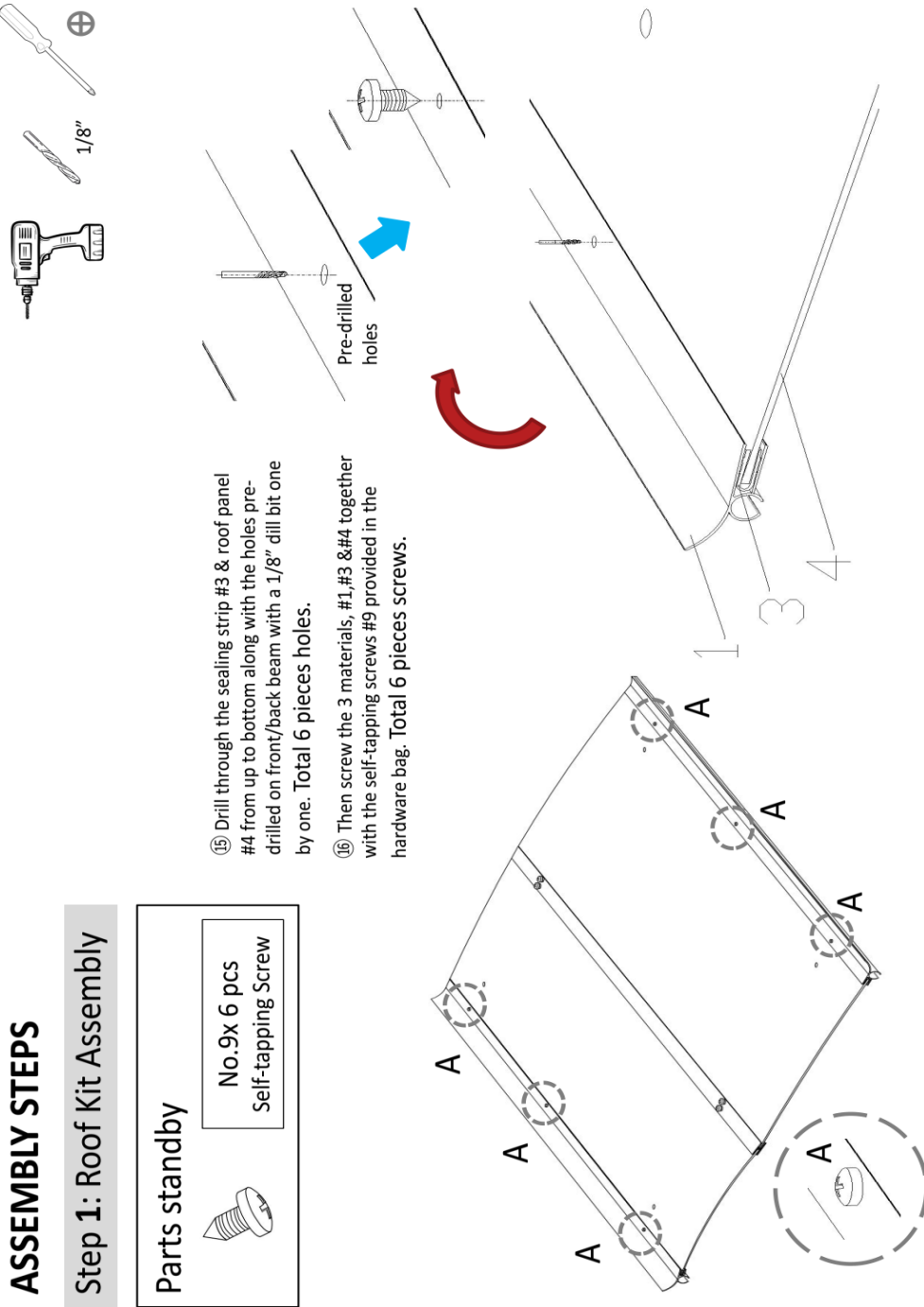
Fig.12 Installation Instructions and Product Drawing



# Test Report

Original Issue Date: 2024-06-18

Intertek Report No. 240604001SHF-001



13

Fig.13 Installation Instructions and Product Drawing

# Test Report

Original Issue Date: 2024-06-18

Intertek Report No.

240604001SHF-001

## ASSEMBLY STEPS

### Step 2: Supporting Bracket Installation

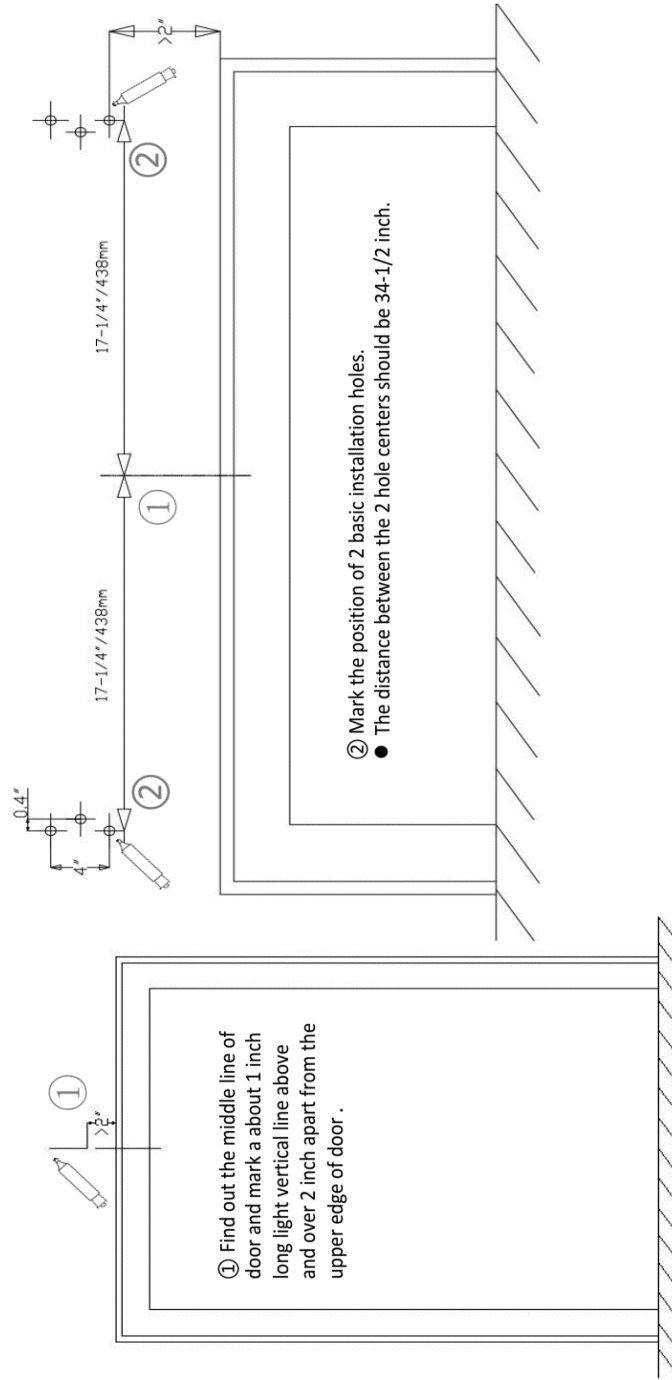


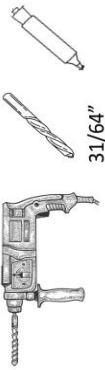
Fig.14 Installation Instructions and Product Drawing

# Test Report

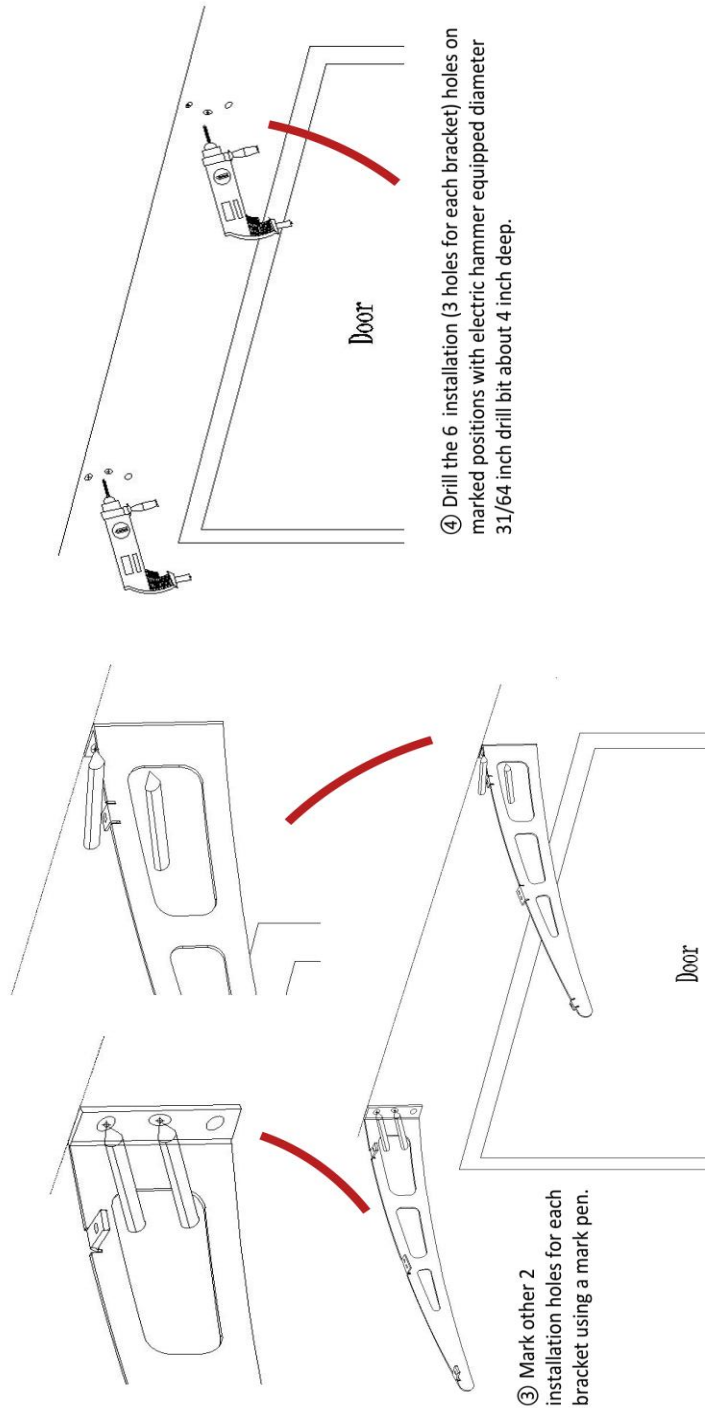
Original Issue Date: 2024-06-18

Intertek Report No.

240604001SHF-001



31/64"



④ Drill the 6 installation (3 holes for each bracket) holes on marked positions with electric hammer equipped diameter 31/64 inch drill bit about 4 inch deep.

③ Mark other 2 installation holes for each bracket using a mark pen.

## ASSEMBLY STEPS

### Step 2: Supporting Bracket Installation

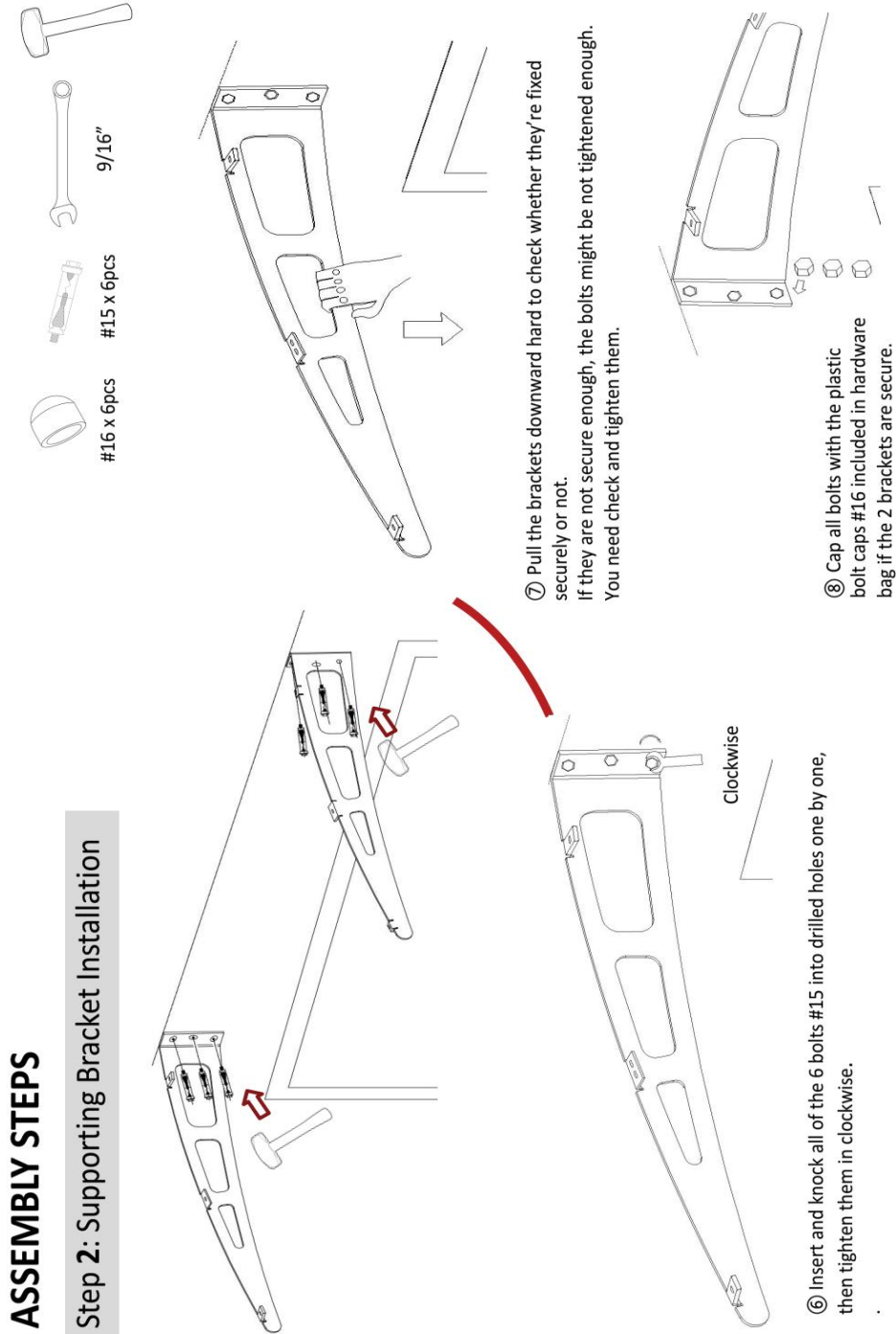
15

Fig.15 Installation Instructions and Product Drawing

# Test Report

Original Issue Date: 2024-06-18

Intertek Report No. 240604001SHF-001



16

Fig.16 Installation Instructions and Product Drawing

# Test Report

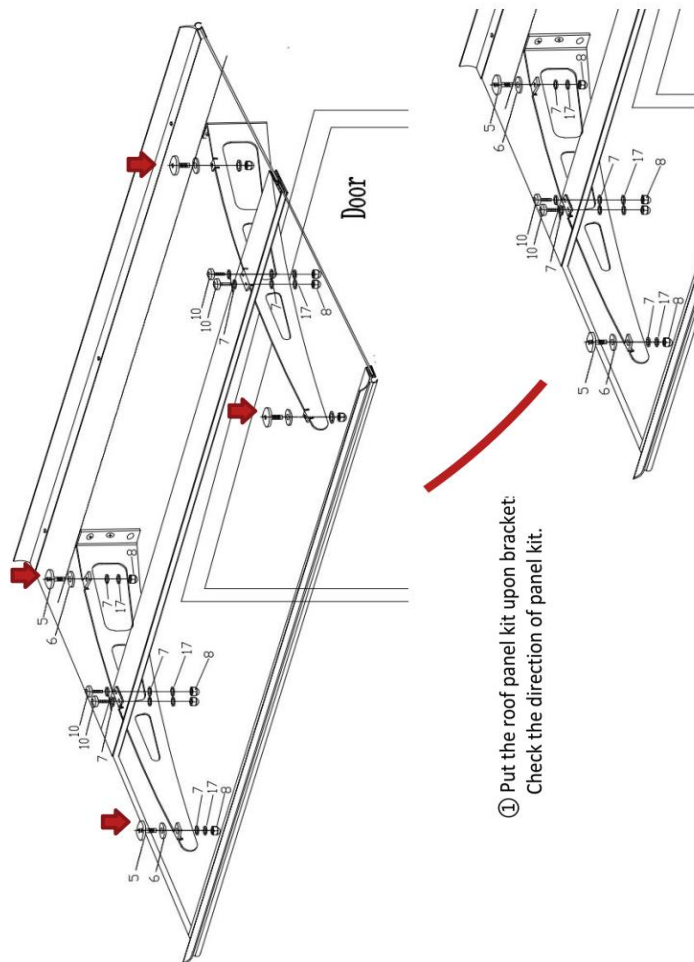
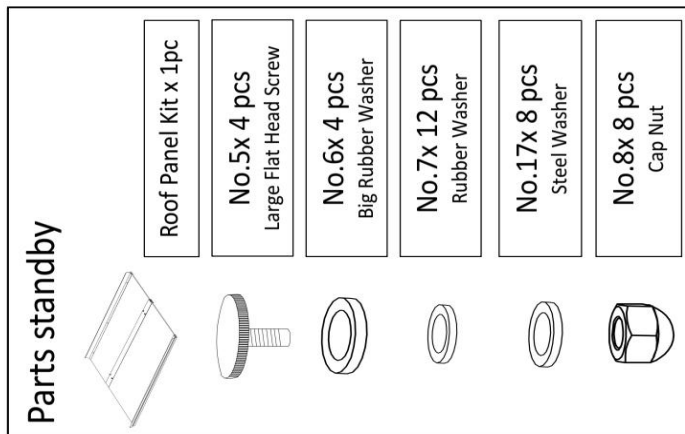
Original Issue Date: 2024-06-18

Intertek Report No.

240604001SHF-001

## ASSEMBLY STEPS

### Step 3: Roof Panel Kit Installation



17

Fig.17 Installation Instructions and Product Drawing

# Test Report

Original Issue Date: 2024-06-18

Intertek Report No. 240604001SHF-001

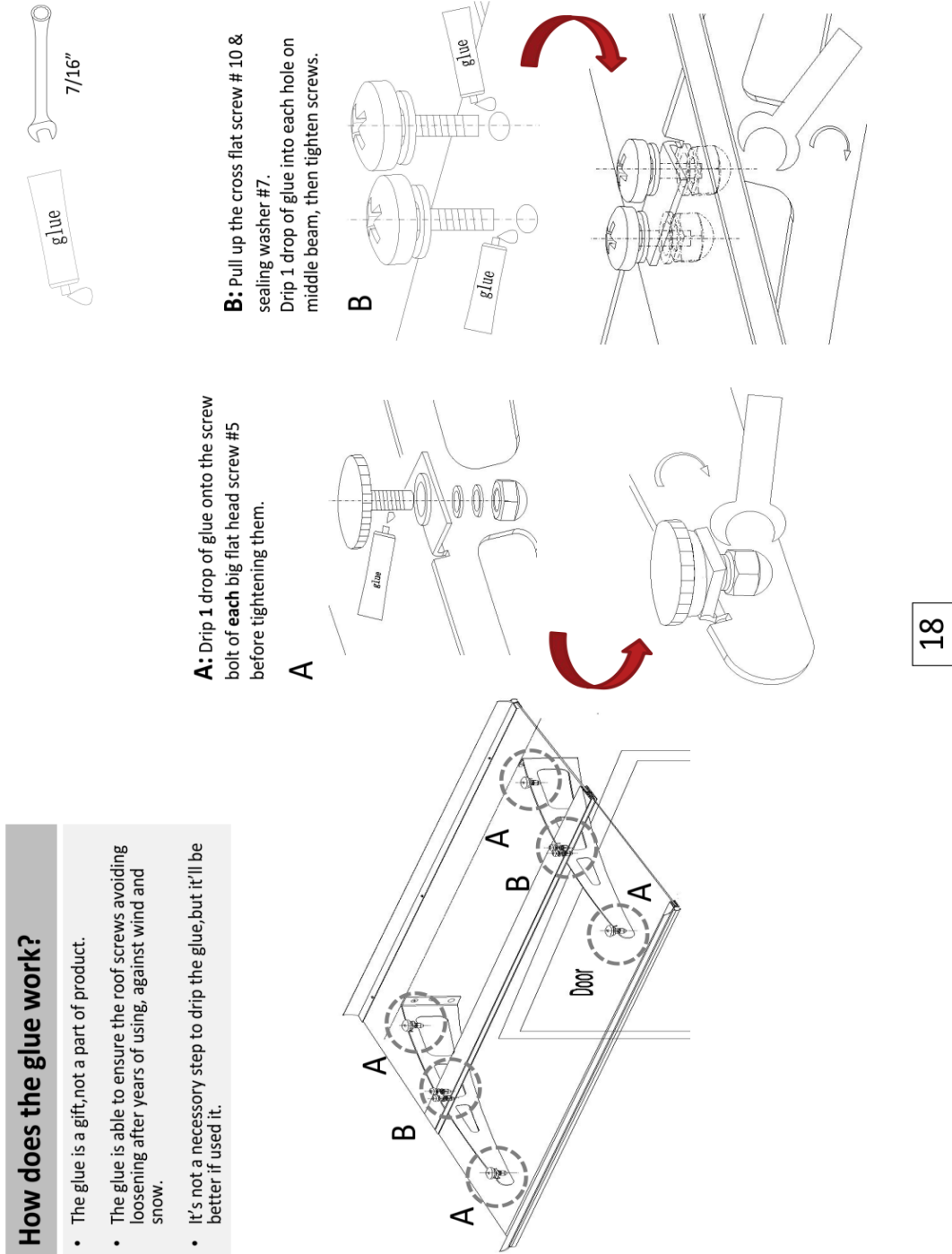


Fig.18 Installation Instructions and Product Drawing

# Test Report

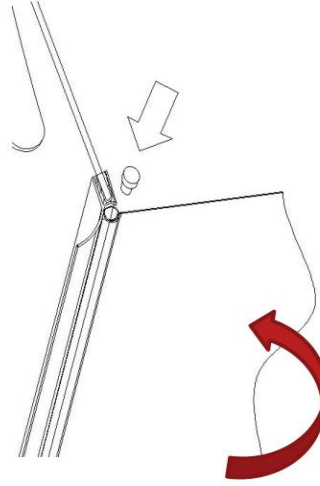
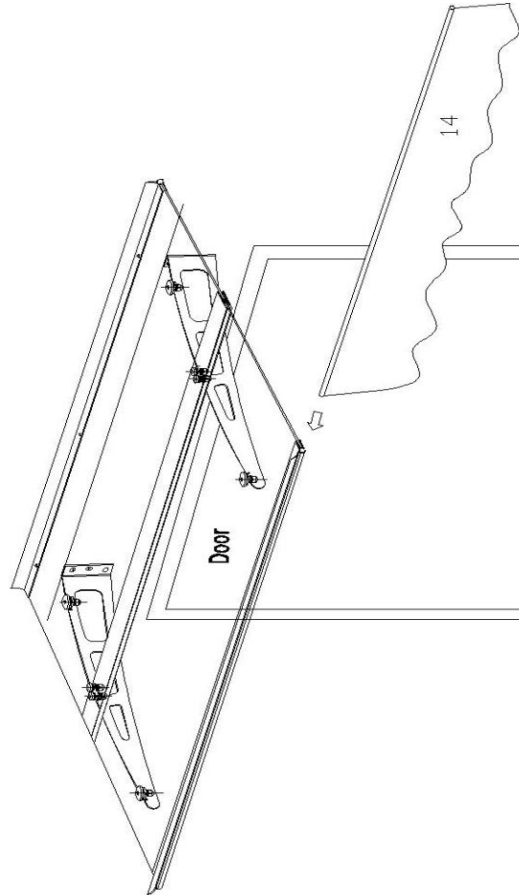
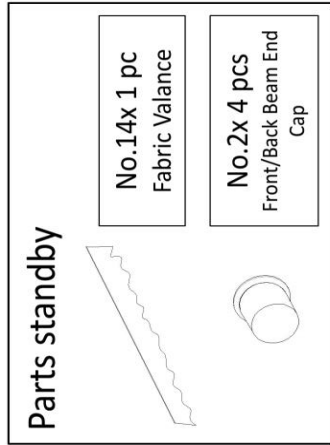
Original Issue Date: 2024-06-18

Intertek Report No.

240604001SHF-001

## ASSEMBLY STEPS

### Step 4: Valance Installation



① The Valance is an optional part of the awning. If you don't like it, you don't need to install it.

Insert the valance into the front beam of awning if you like it.

② Cap 4 end caps of front/back beams on each top.

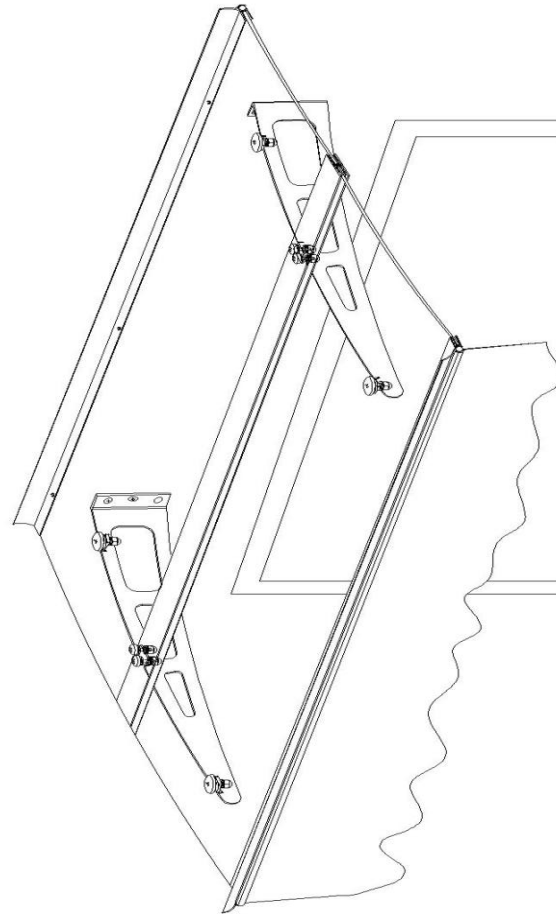
Fig.19 Installation Instructions and Product Drawing

# Test Report

Original Issue Date: 2024-06-18

Intertek Report No. 240604001SHF-001

**Well done! Congratulation!**



You've completed all steps of installation.  
Great Job!

20

Fig.20 Installation Instructions and Product Drawing



# Test Report

Original Issue Date: 2024-06-18

Intertek Report No. 240604001SHF-001

## Appendix B: Sample Received Photo



Photo.1 The Resistance to Snow Load Test on the testing specimen



Photo.2 The masonry screws which were used to install the specimen to conduct the Resistance to Snow Load Test.

### Revision:

NO.	Date	Changes
240604001SHF-001	2024-06-18	First issue

