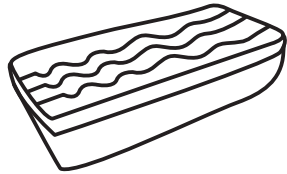
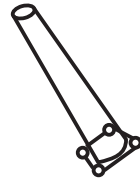


# Assembling Instruction

Ax1



Bx4



Cx1

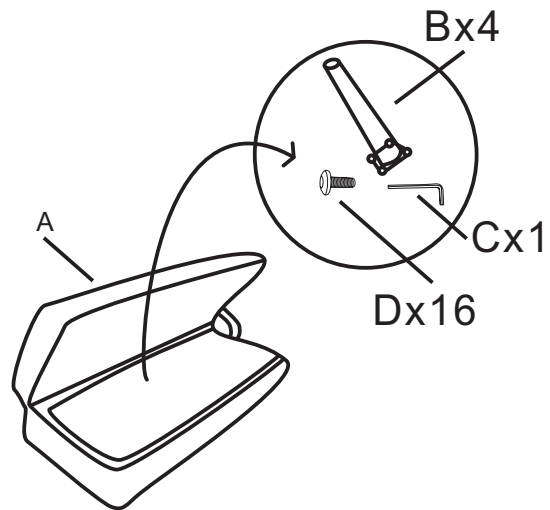


Dx16

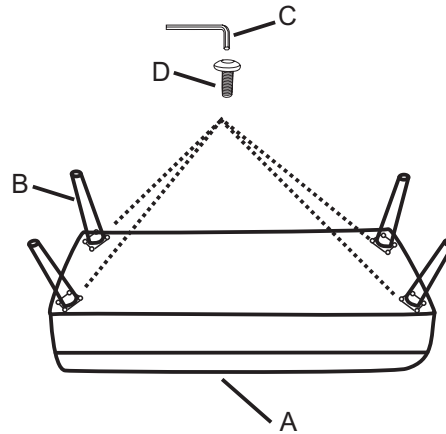


M6x18mm

1



2



3

