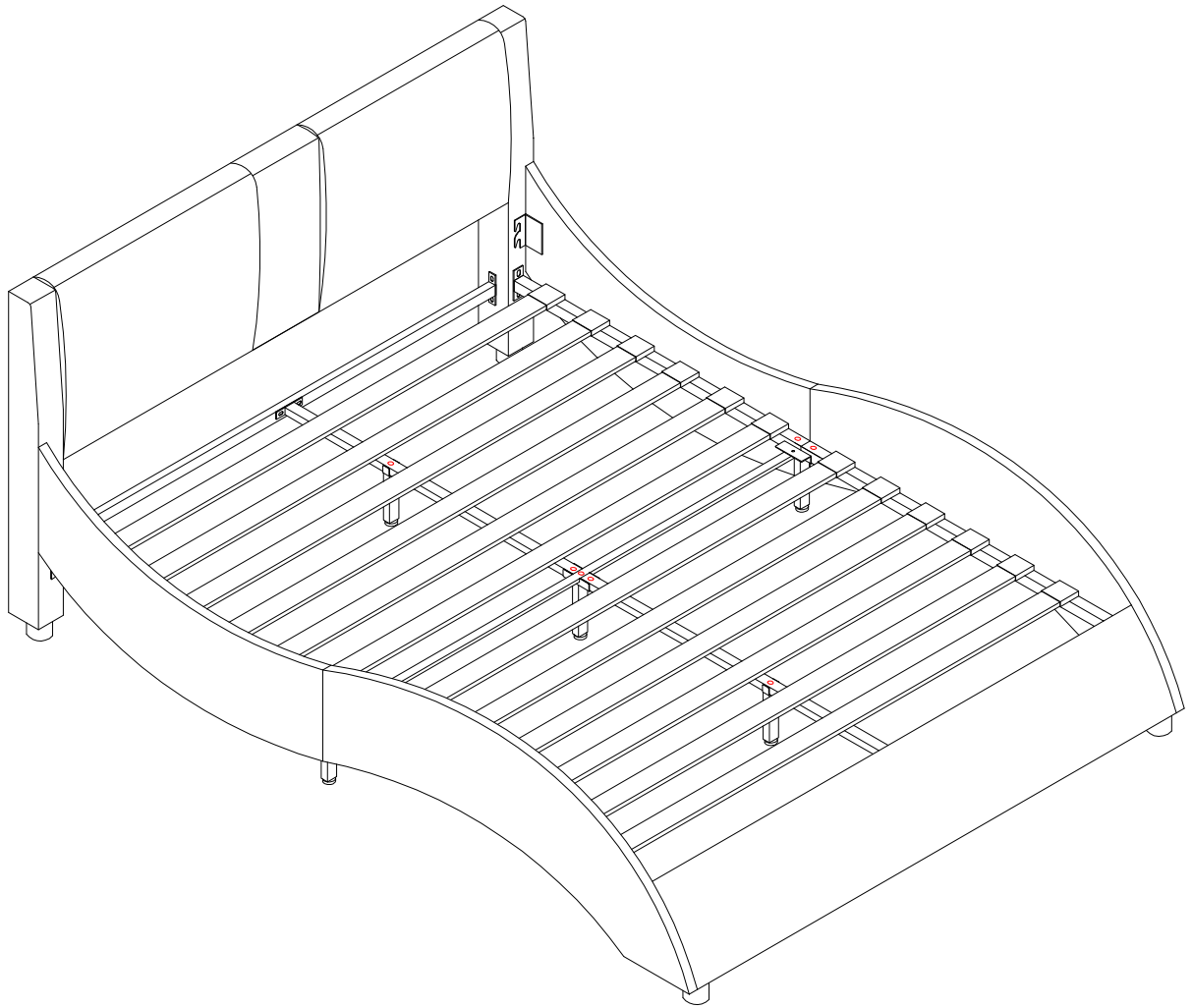
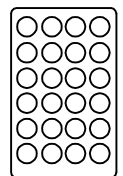
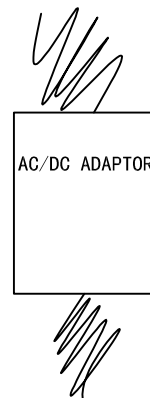
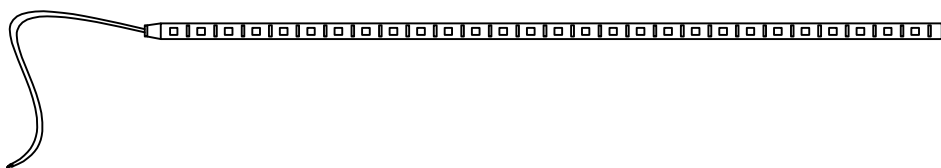


ASSEMBLY INSTRUCTIONS

CYX6005 QUEEN BED



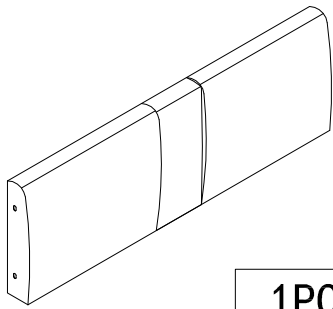
LED light belt



Remote control

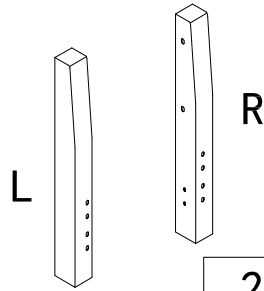
PARTS AND HARDWARE

① Headboard



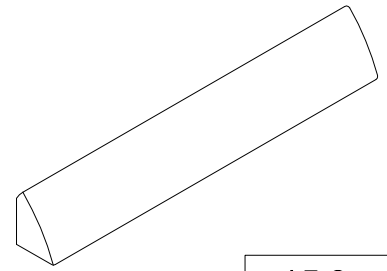
1PC

② HB Leg



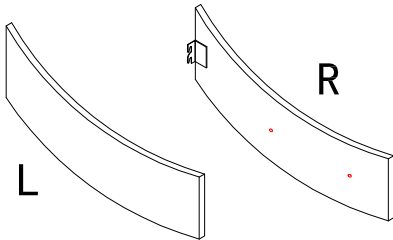
2PCS

③ Footboard



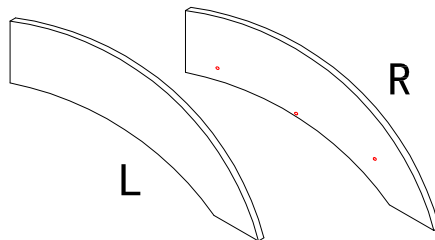
1PC

④ Side rail A



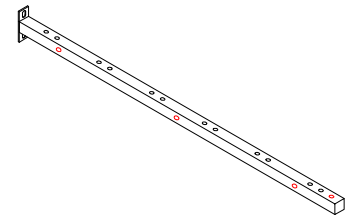
2PCS

⑤ Side rail B



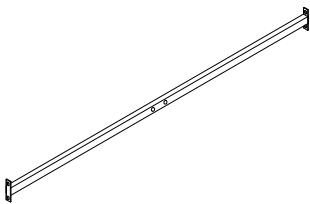
2PCS

⑥ Side Rail Support



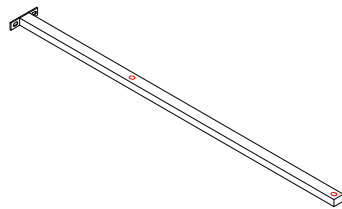
4PCS

⑦ HB Support Rail



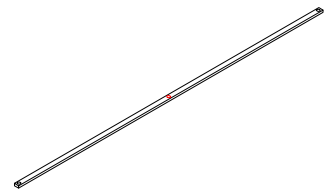
1PC

⑧ Center support rail



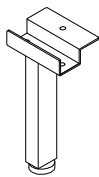
2PCS

⑨ Center crossband



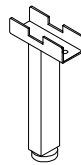
1PC

⑩ Side Rail Feet



2PCS

⑪ Center Support Leg



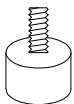
1PC

⑫ Support Leg



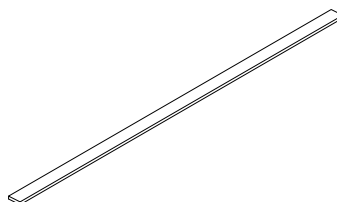
2PCS

⑬ Leg



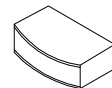
4PCS

⑭ Slat



12PCS

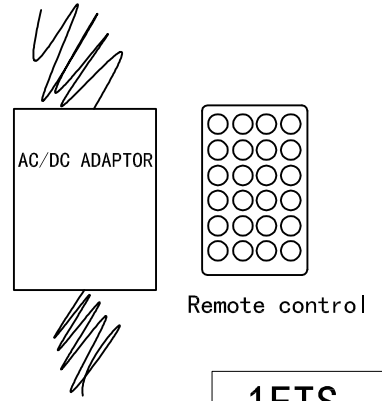
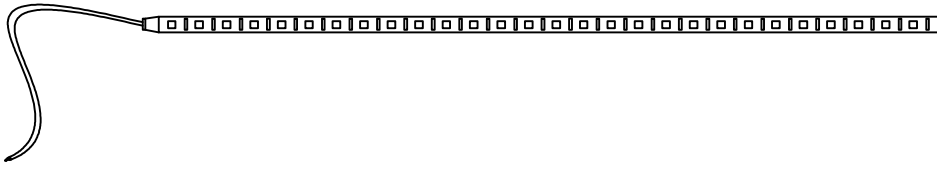
⑮ Single Sided Plastic cap



24PCS

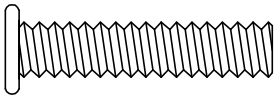
PARTS AND HARDWARE

⑩ LED light belt



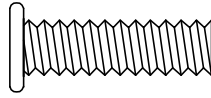
1ETS

A



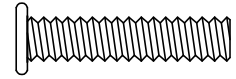
5/16*50mm 13PCS

B



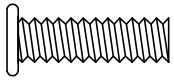
5/16*22mm 20PCS

C



1/4*45mm 10PCS

D



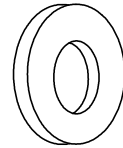
1/4*20mm 2PCS

E



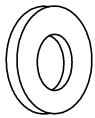
5/16 33PCS

F



5/16*19mm 33PCS

G



1/4*16mm 12PCS

H



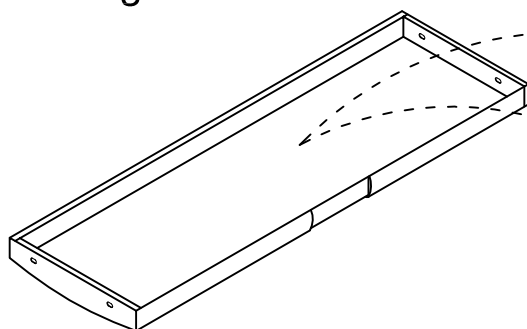
5/16 1PC

I

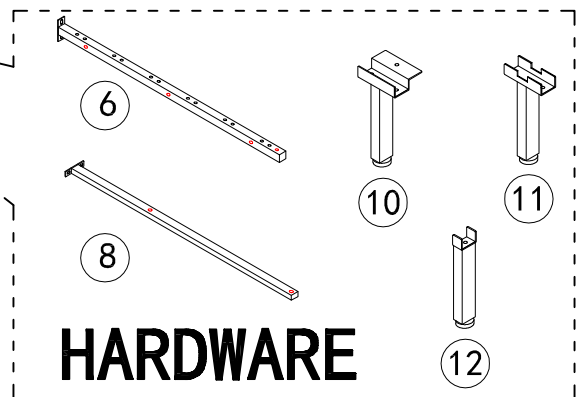


1/4 1PC

STEP :Packing Details

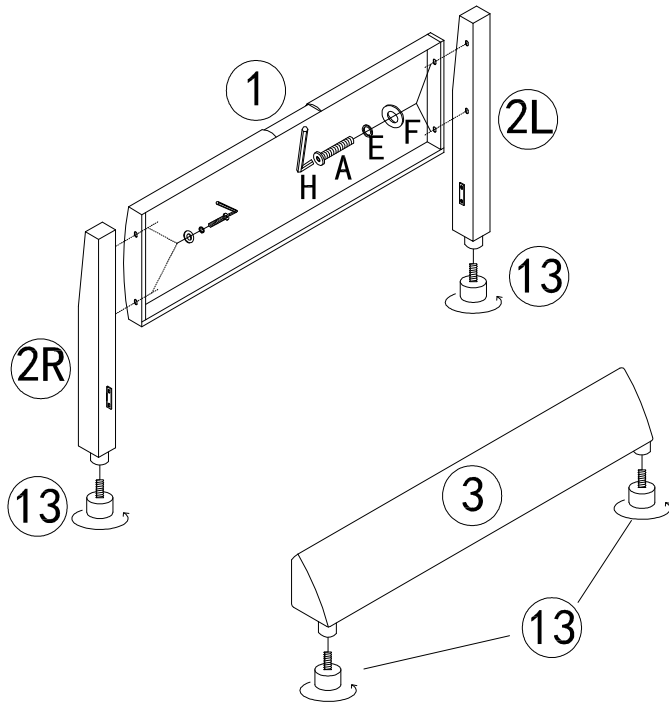


Headboard



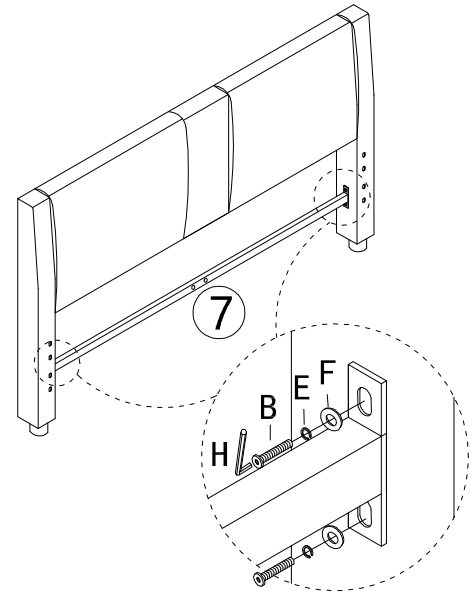
HARDWARE

STEP 1



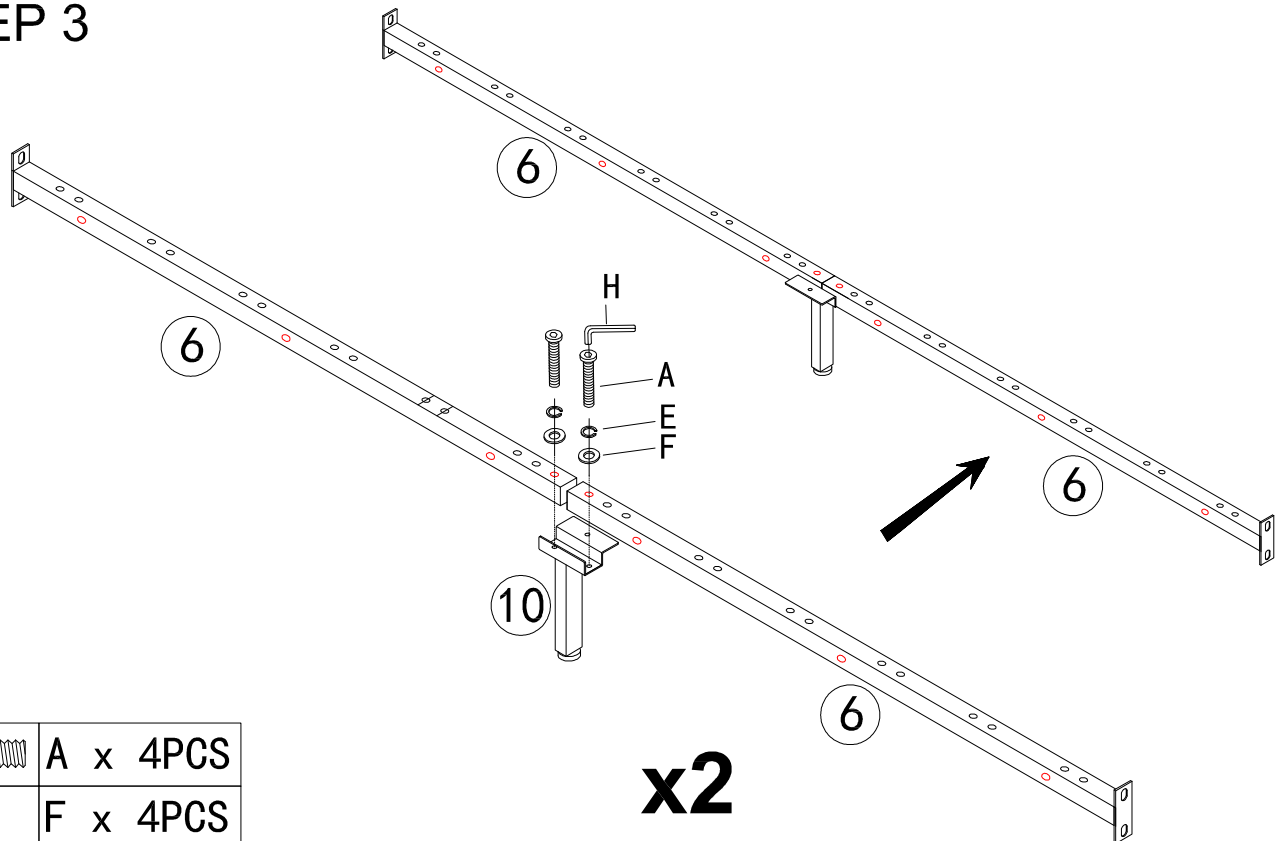
	A x 4PCS
	F x 4PCS
	E x 4PCS
	H x 1PC

STEP 2



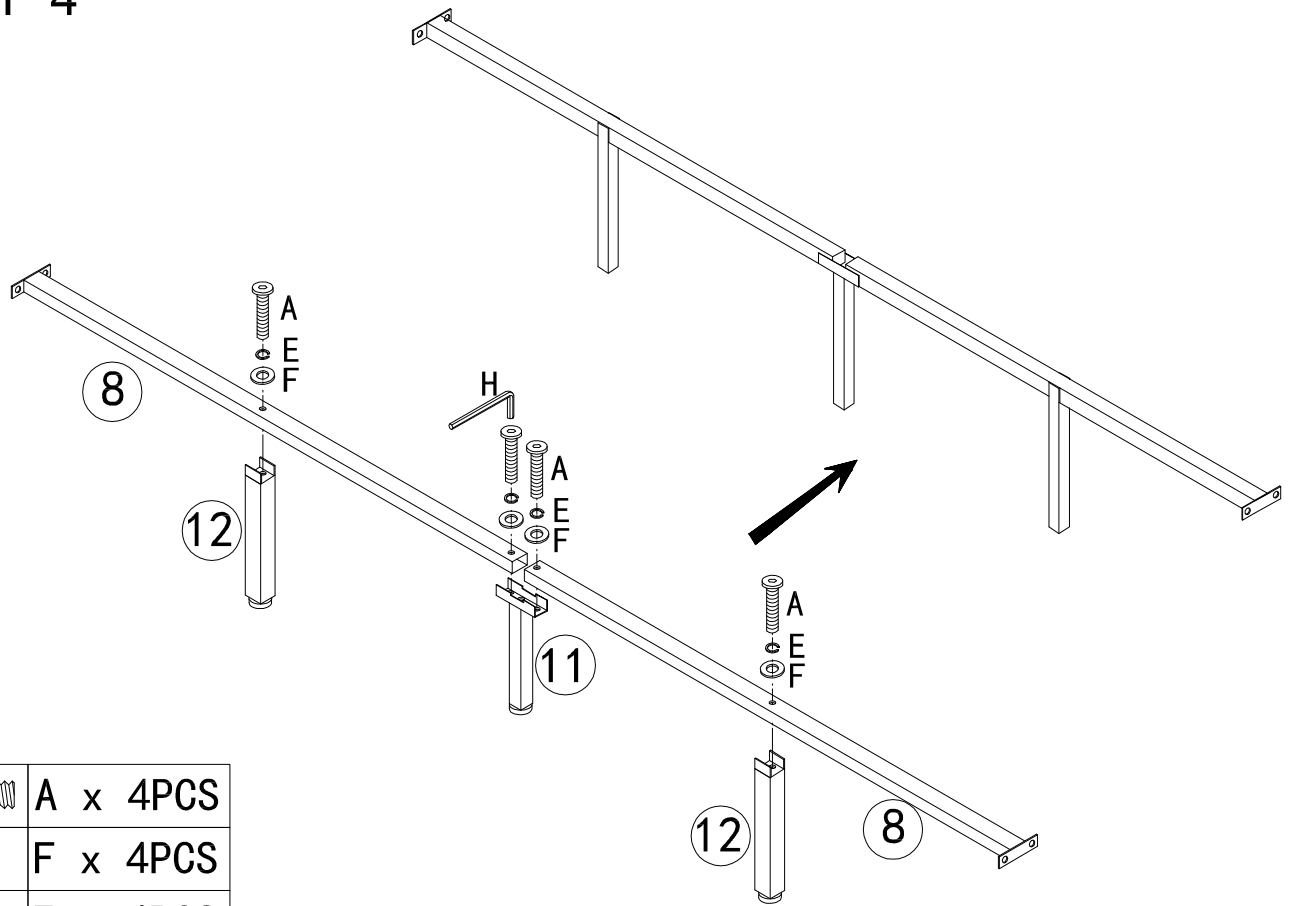
	B x 4PCS
	F x 4PCS
	E x 4PCS
	H x 1PC





STEP 3



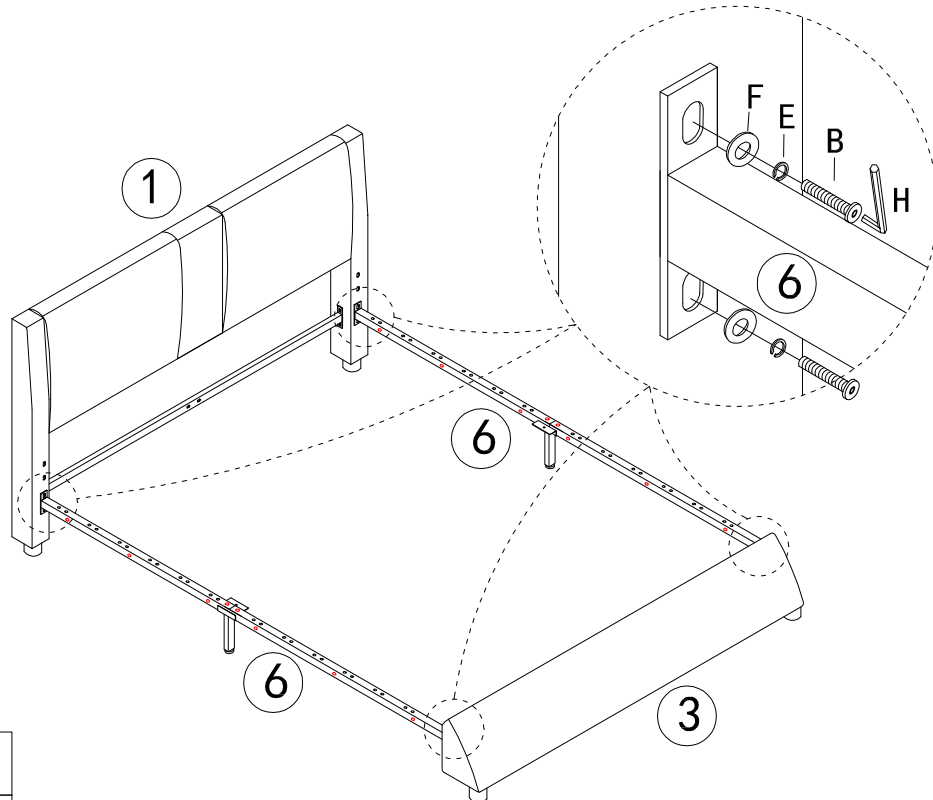
	A x 4PCS
	F x 4PCS
	E x 4PCS
	H x 1PC





STEP 4



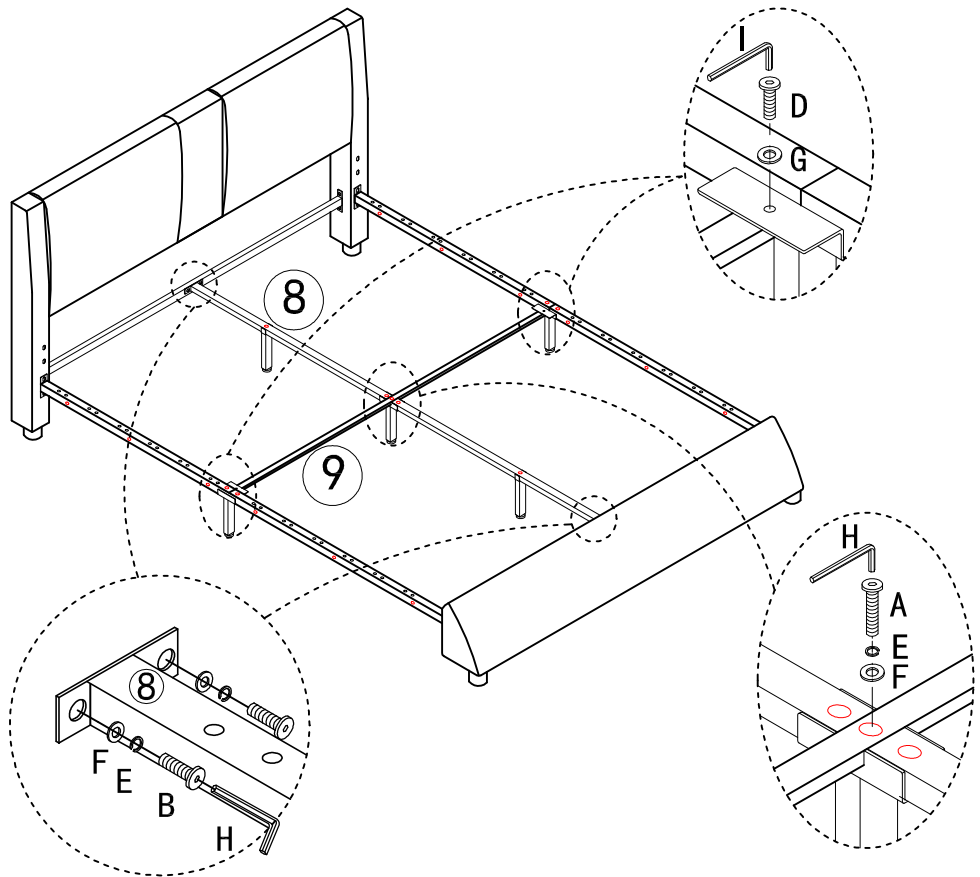
	A x 4PCS
	F x 4PCS
	E x 4PCS
	H x 1PC

STEP 5



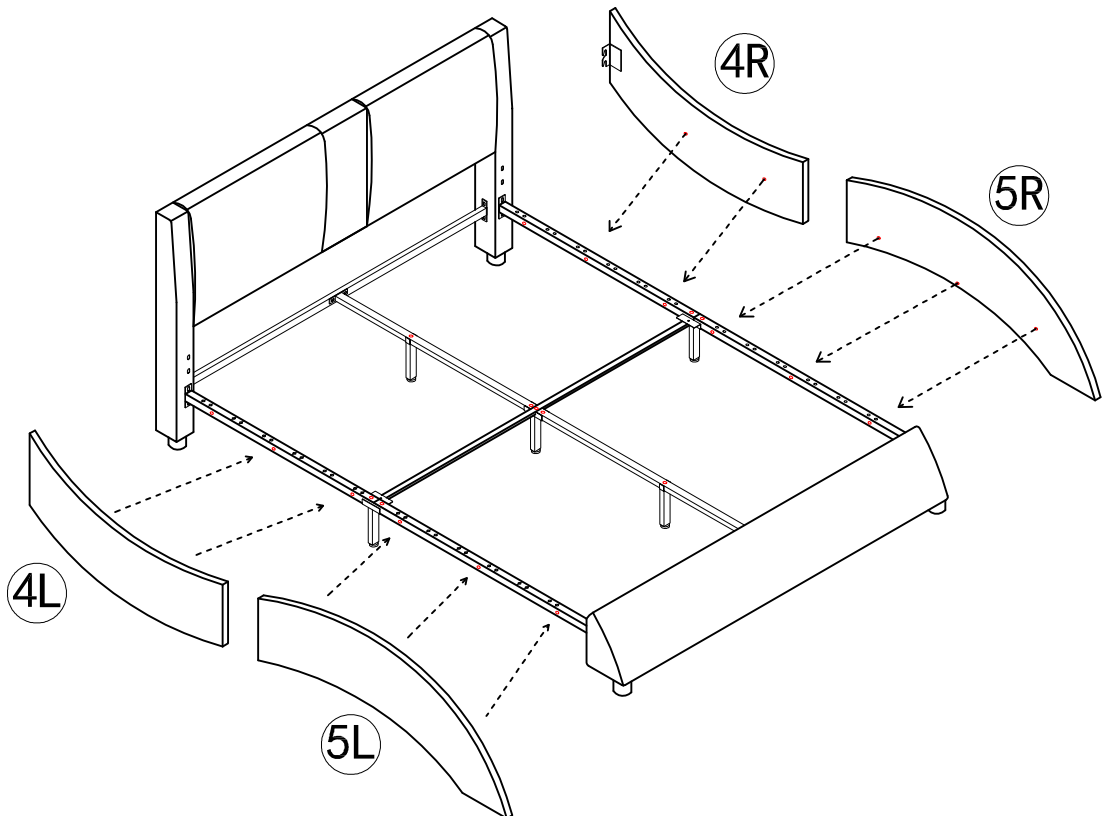
	B x 8PCS
	F x 8PCS
	E x 8PCS
	H x 1PC

STEP 5

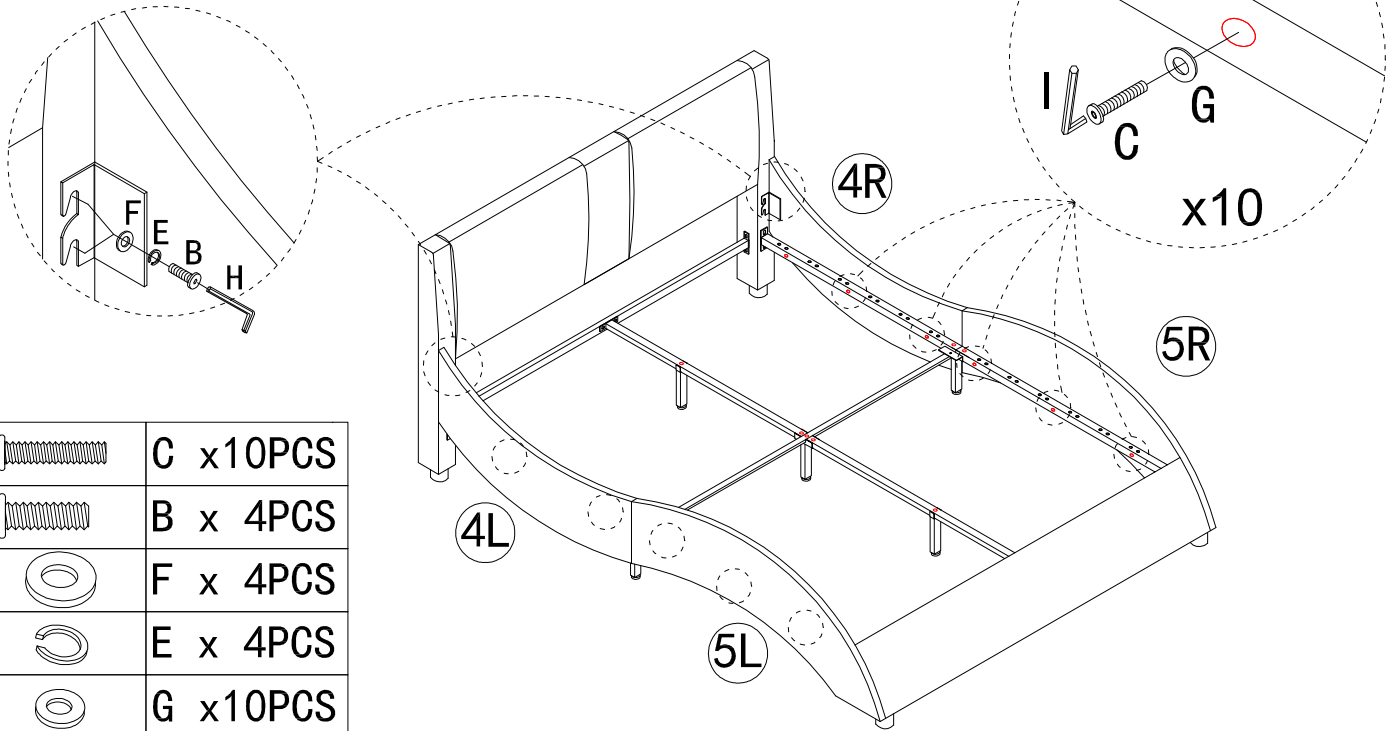









	A x 1PCS
	B x 4PCS
	D x 2PCS
	F x 5PCS
	E x 5PCS
	G x 2PCS
	H x 1PC
	I x 1PC

STEP 6

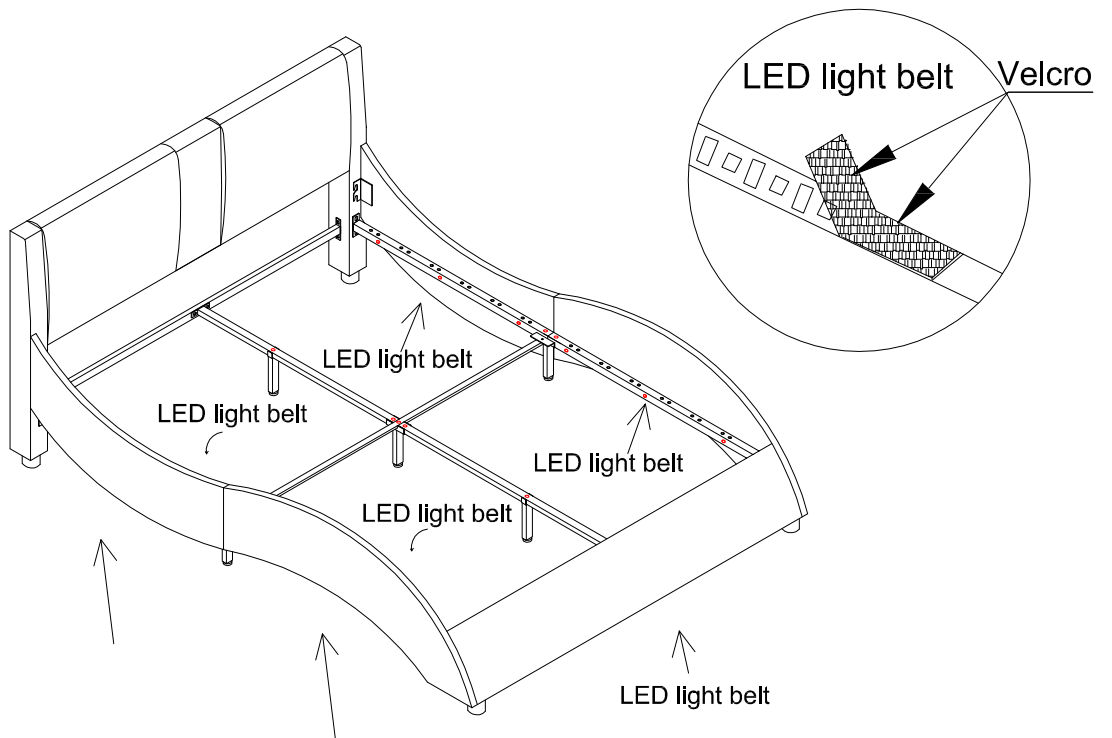


STEP 7



	C x10PCS
	B x 4PCS
	F x 4PCS
	E x 4PCS
	G x10PCS
	H x 1PC
	I x 1PC

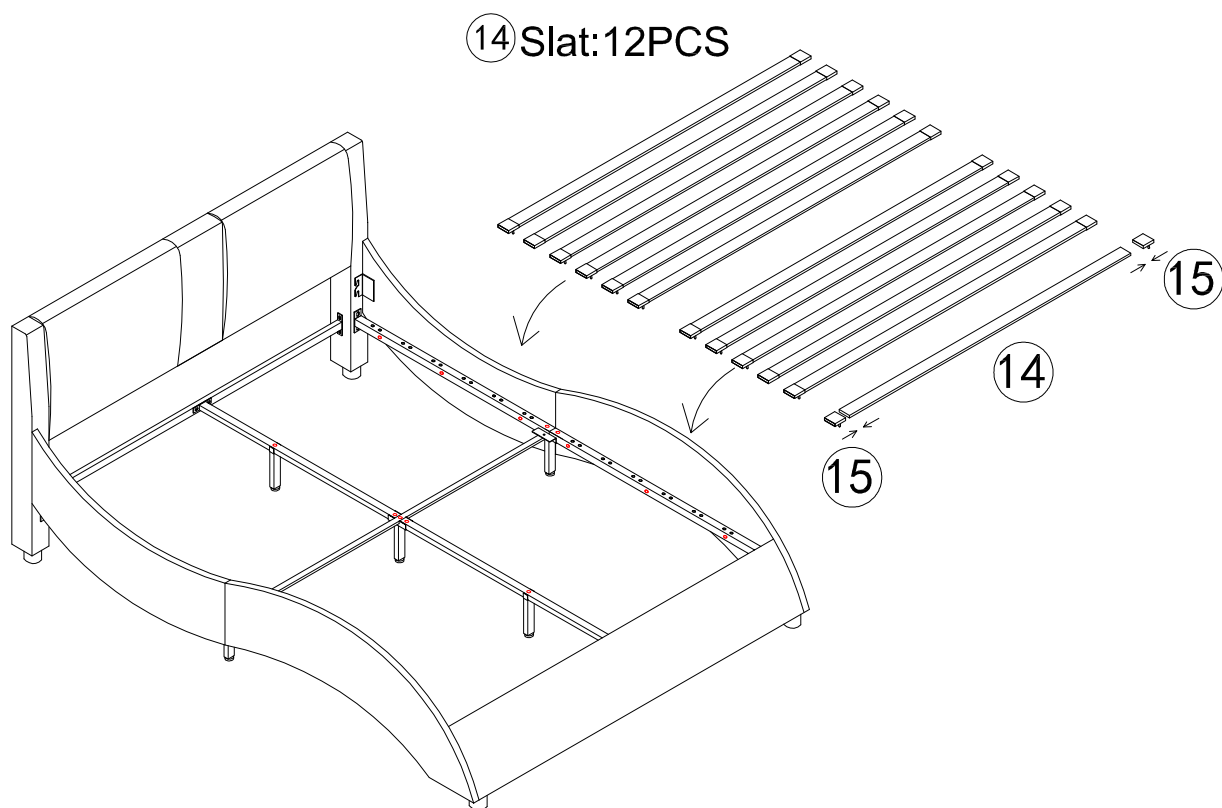
STEP 8



①⑥ LED light belt



STEP 9



STEP 10

