

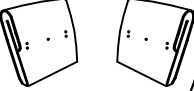





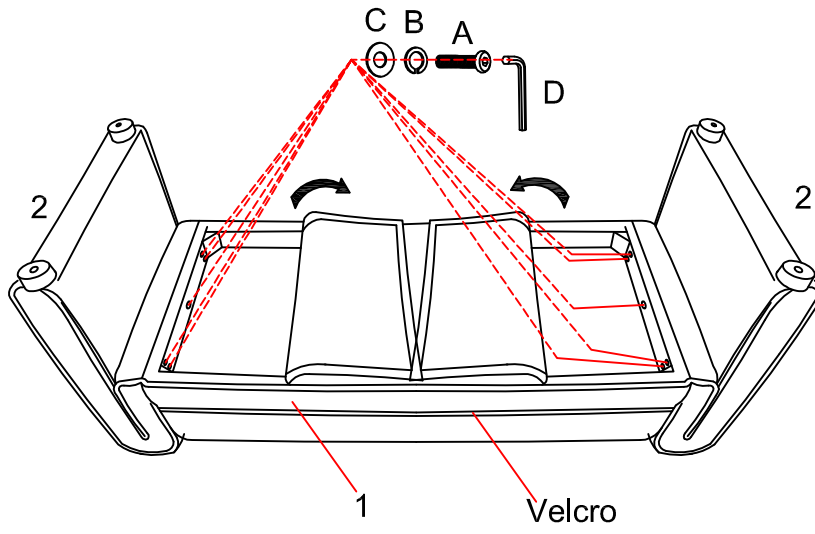


0246

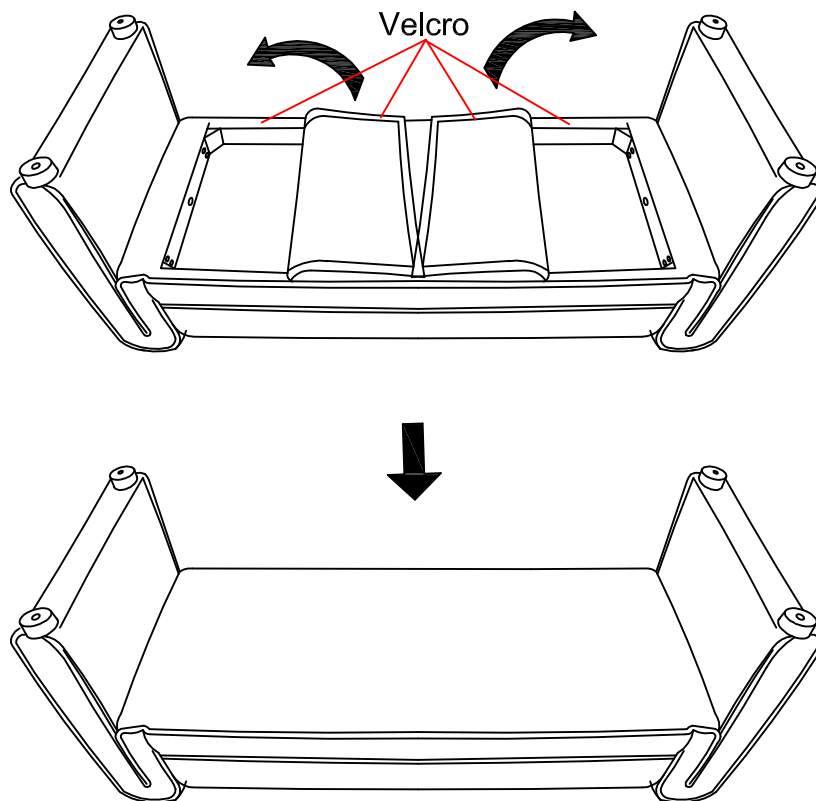
PART LIST		
No	DESCRIPTION	QTY
1	 Seat Cushion	1PC
2	 Seat Frame	1PC
3	 ARM	2PCS
4	 Pillow	2PCS

HARDWARE LIST		
No	DESCRIPTION	QTY
A	 BLOT 5/16" X 2-1/4"	10PCS
B	 LOCK WASHER	10PCS
C	 FLAT WASHER	10PCS
D	 ALLEN WRENCH M5	1PC

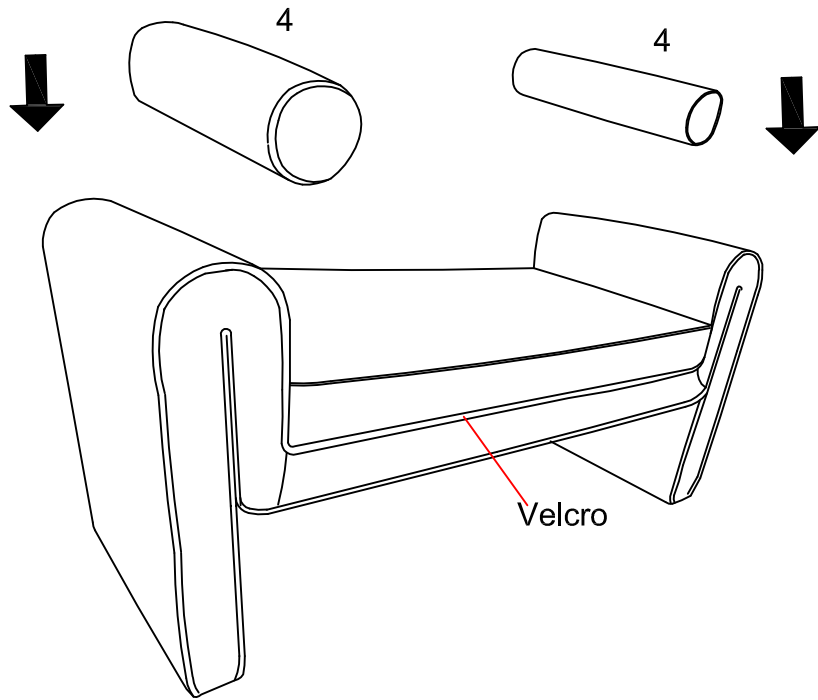
STEP 1



STEP 2



STEP 3



STEP 4

