

ASSEMBLY INSTRUCTION

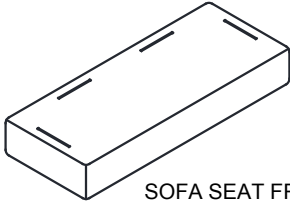
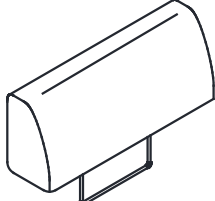
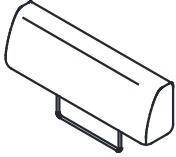
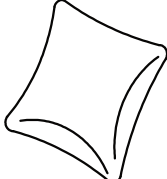
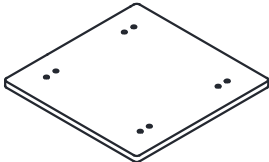
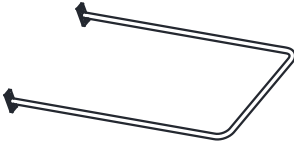
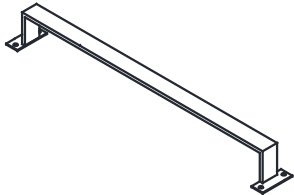

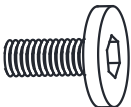


ASSEMBLY TIPS:

- 1.Remove hardware from box and sort by size.
- 2.Please check to see that all hardware and parts are present prior to start of assembly.
- 3.Please follow attached instruction in the same sequence as numbered to assure fast & easy assembly.

warning!

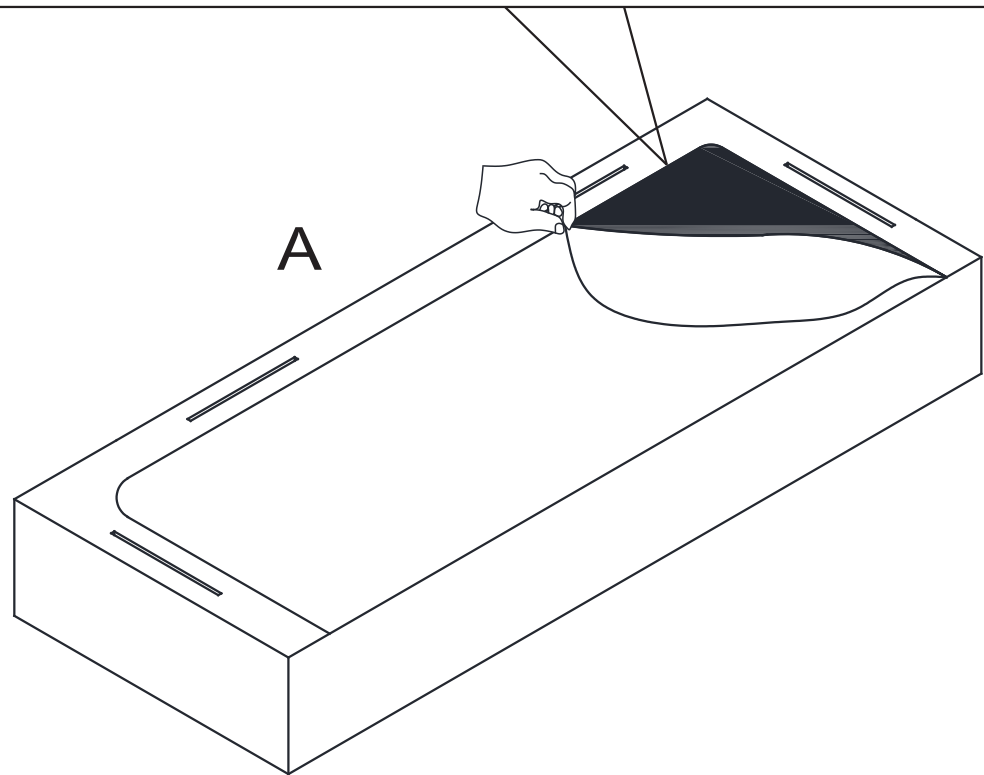
- 1.Don't attempt to repair or modify parts that are broken or defective. Please contact the store immediately.
- 2.This product is for home use only and not intended for commercial establishment.

PARTS IDENTIFICATION

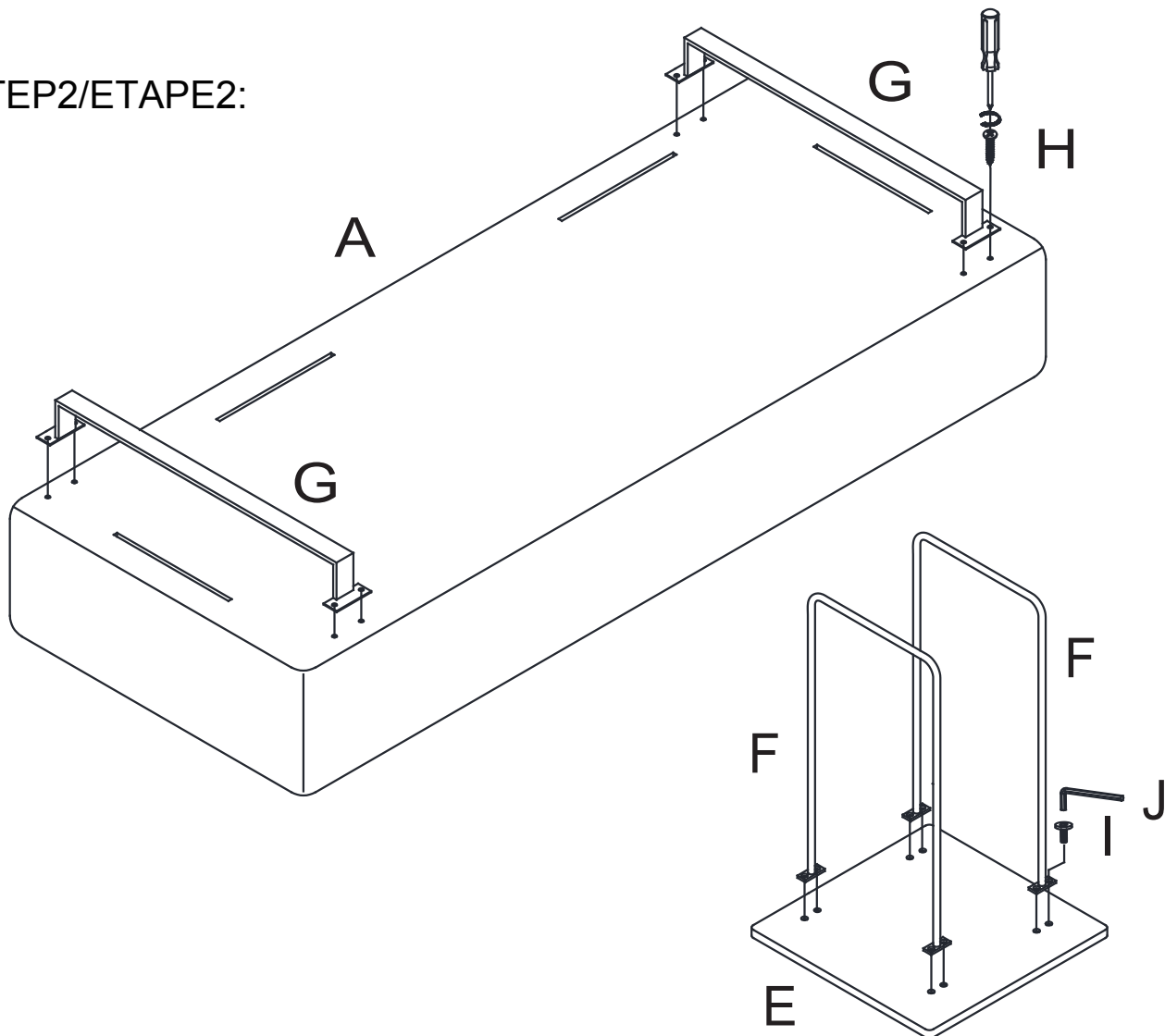
A	 SOFA SEAT FRAME	1pc	B	 BIGGER REST	2pcs
C	 SMALL REST	2pcs	D	 PILLOWS	2pcs
E	 TABLE TOP PANEL	2pcs	F	 TABLE LEGS	4pcs
G	 SOFA LEGS	2pcs	H	 SCREWS	8pcs
I	 M6 x 15mm TABLE LEG BOLTS	16pcs	J	 ALLEN KEY	1pcs
	 PHILLIPS SCREWDRIVER (NOT PROVIDED)				

STEP1/ETAPE1:

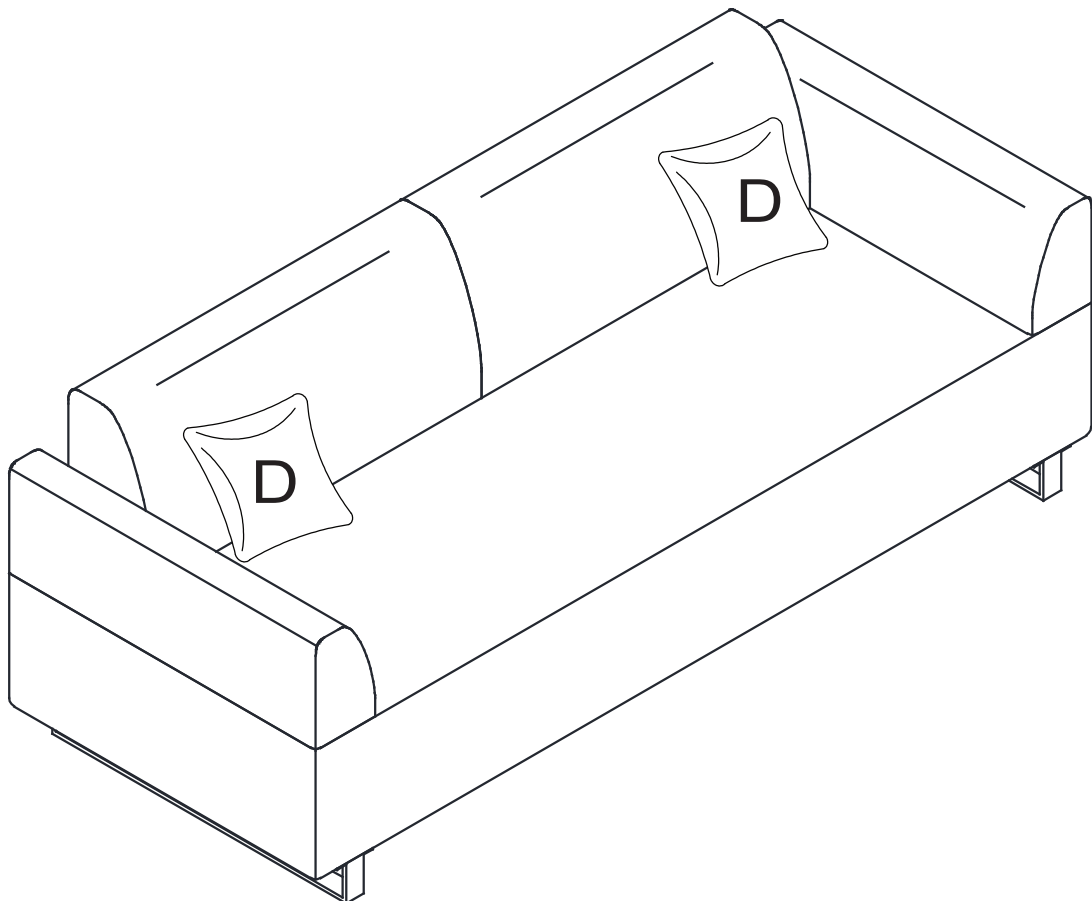
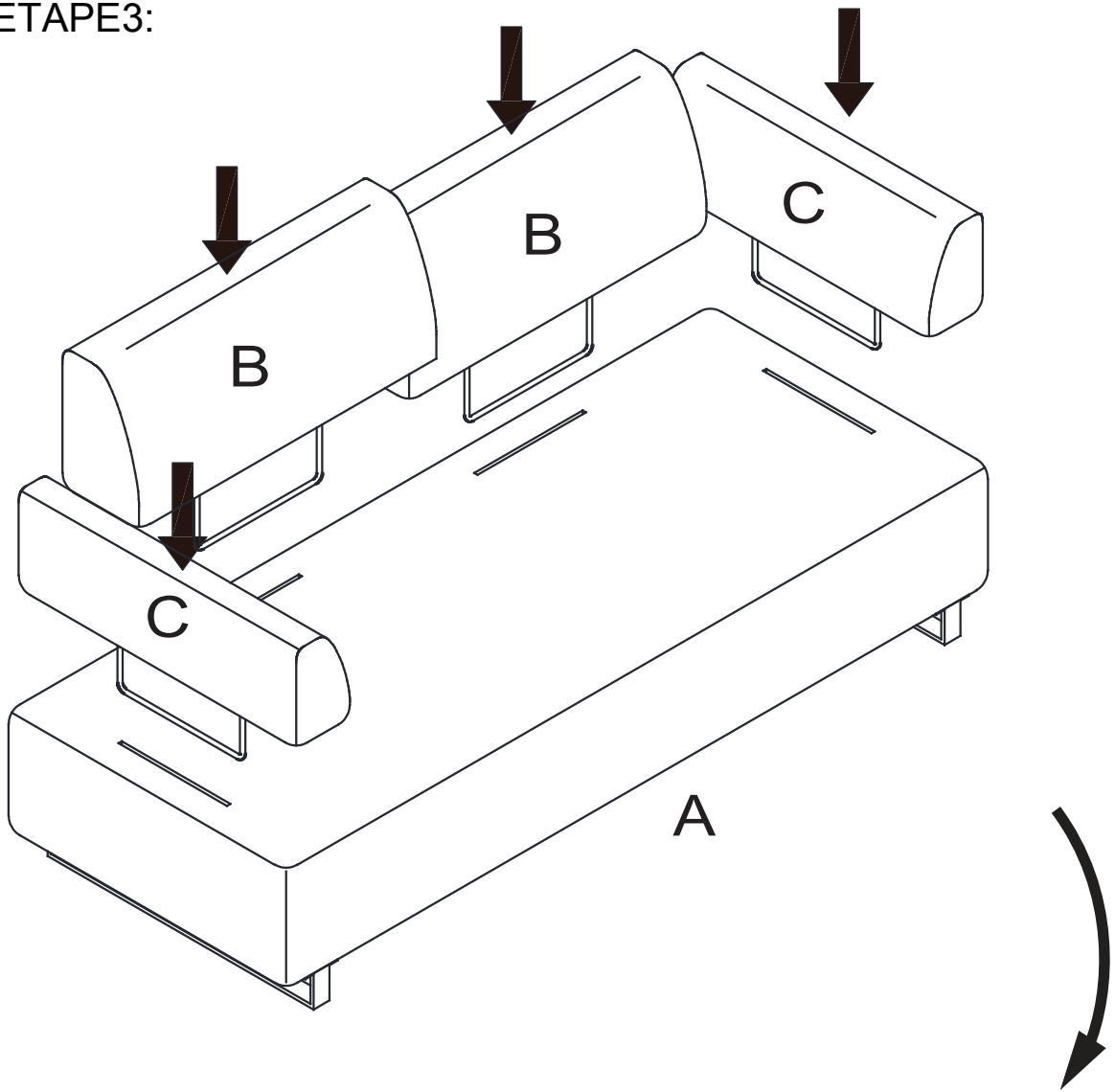
REMARK:PLEASE OPEN THE SOFA SEAT BOTTOM ZIPPER
PICK-UP ALL PARTS AND HARDWARE KITS BEFORE YOU ASSEMBLE



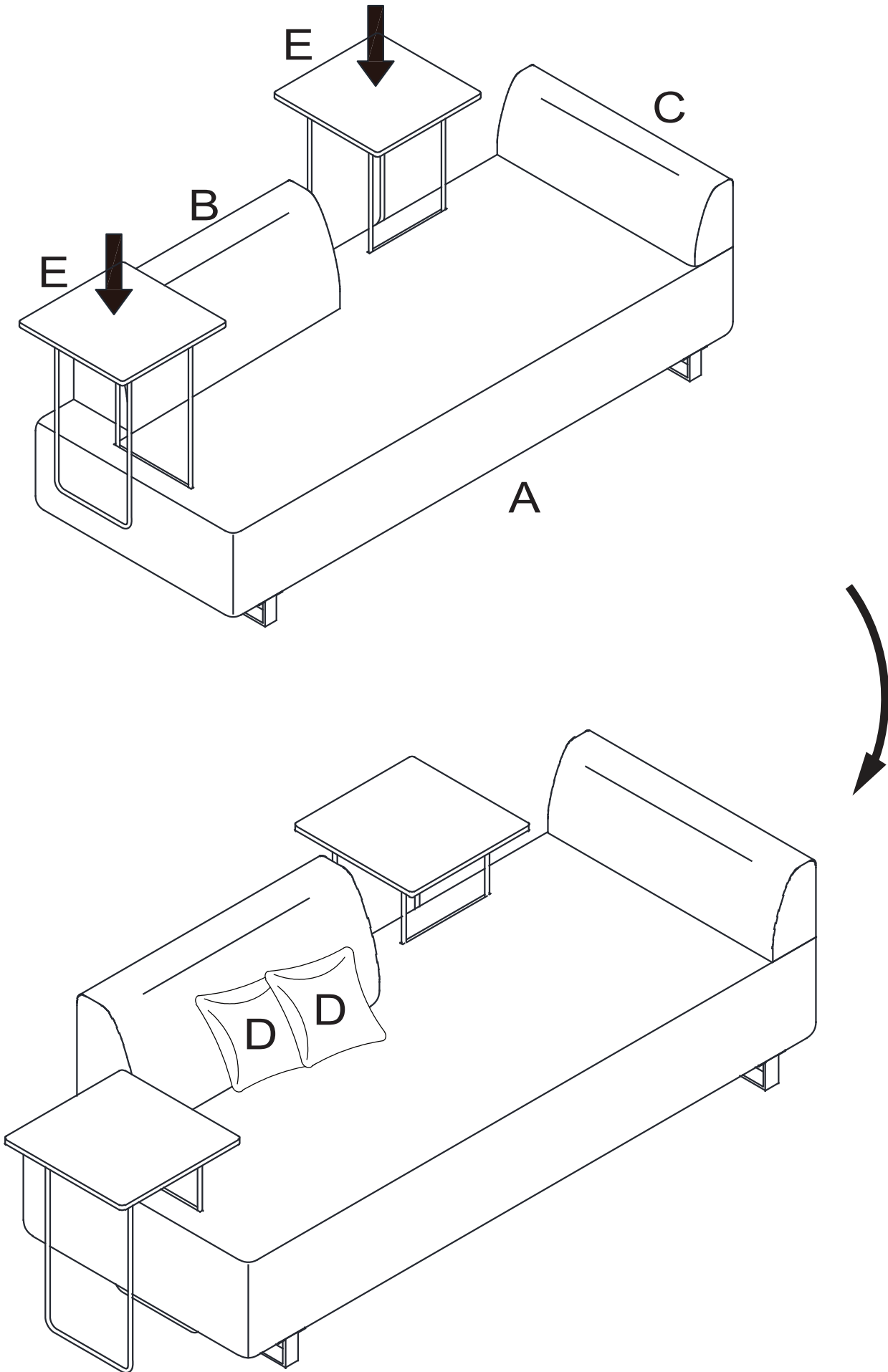
STEP2/ETAPE2:



STEP3/ETAPE3:



OR:



Part B/C/E can be switched as you wish.