

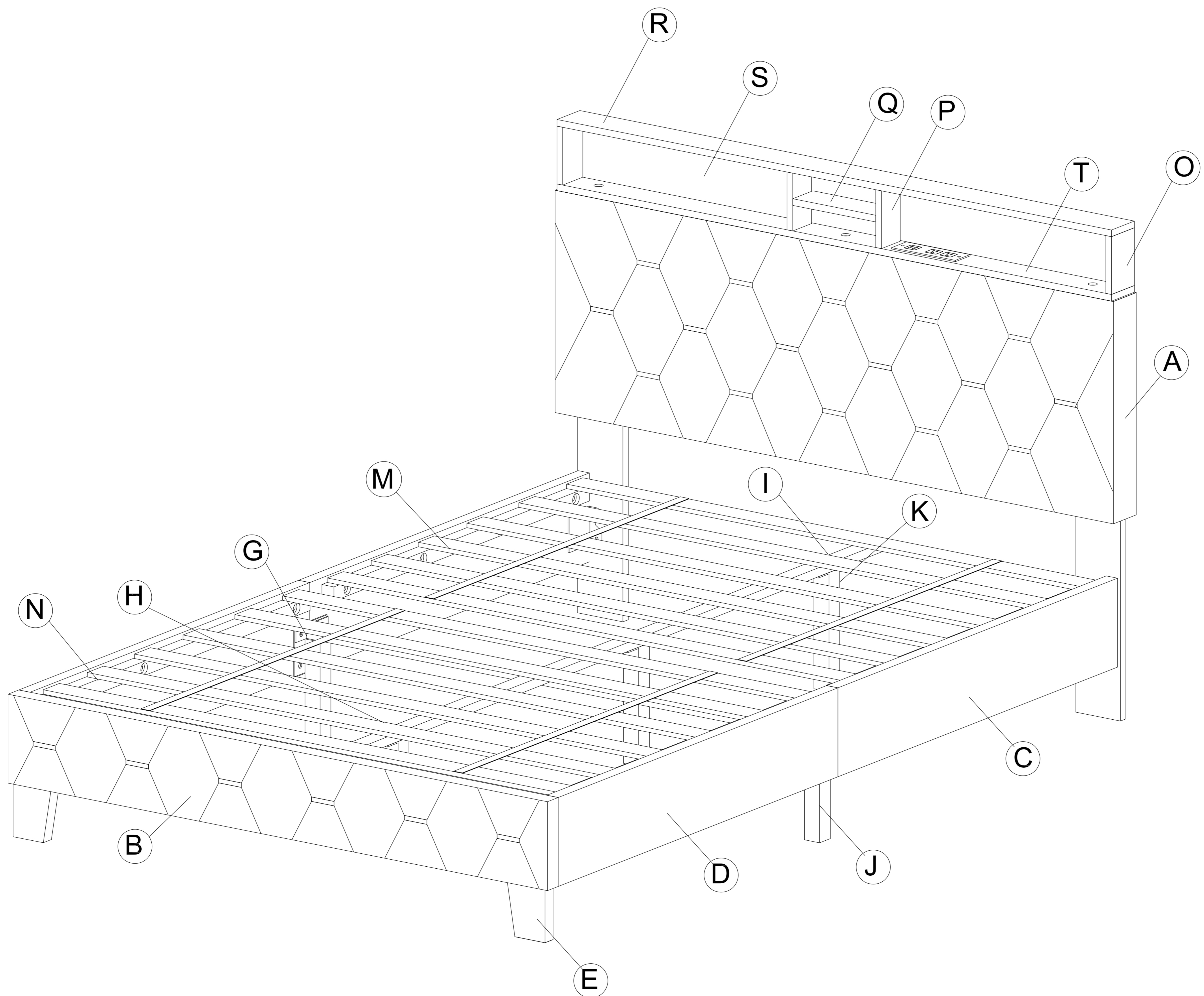
Assembly Instruction

WARNING

Caution:Adult assembly required.Assembly will require at least 2 people.
Assemble on soft surfaces to prevent damage to the product finish.

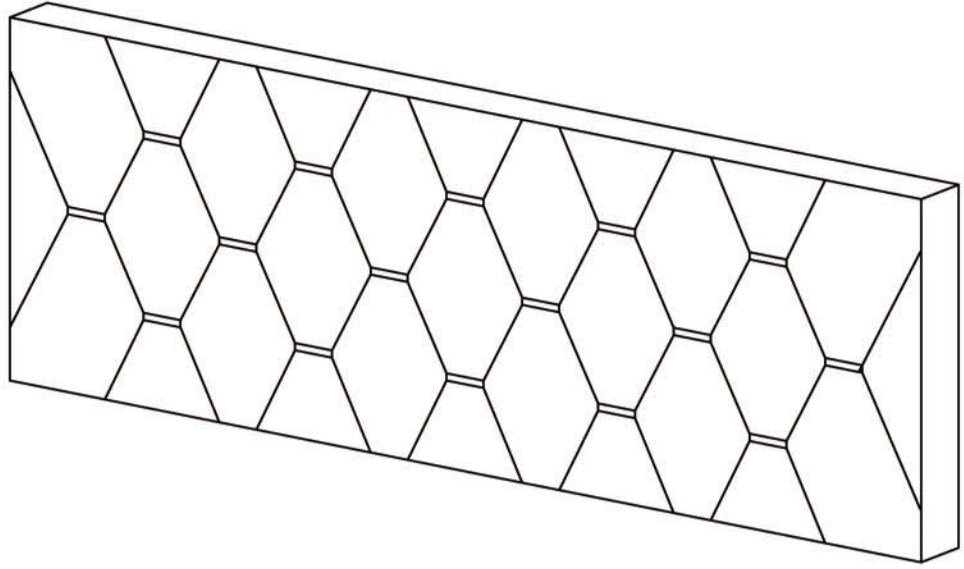
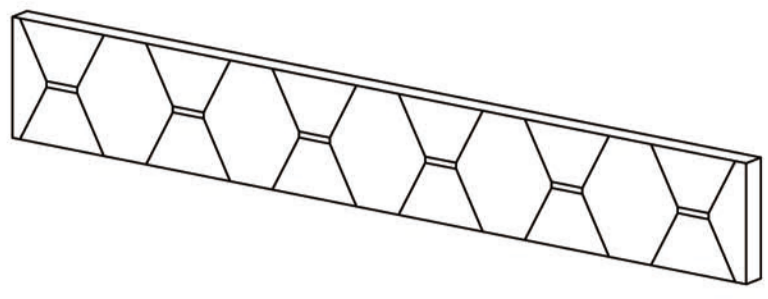
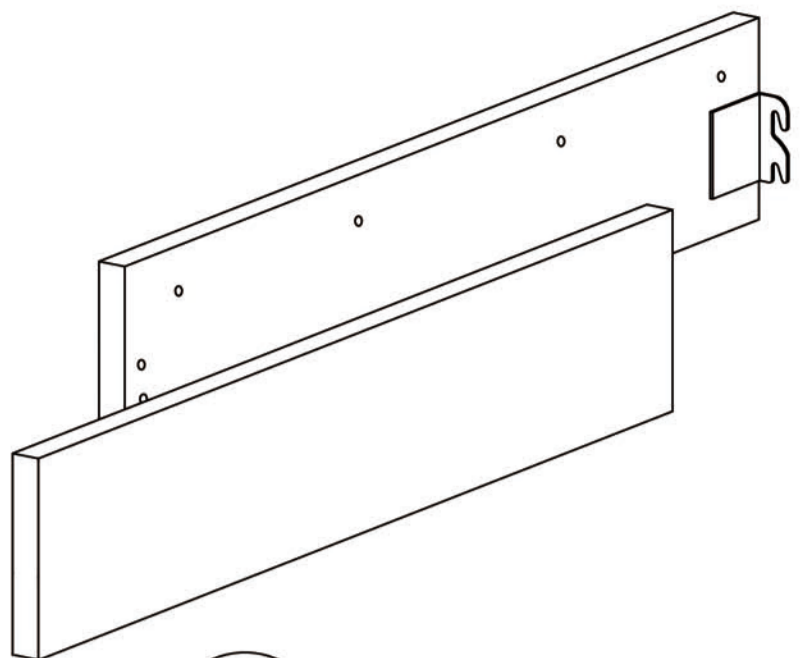
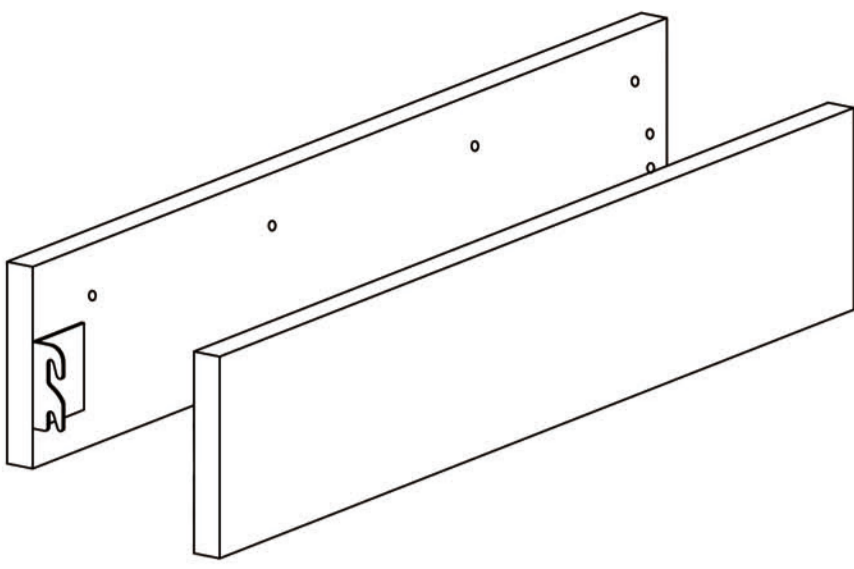
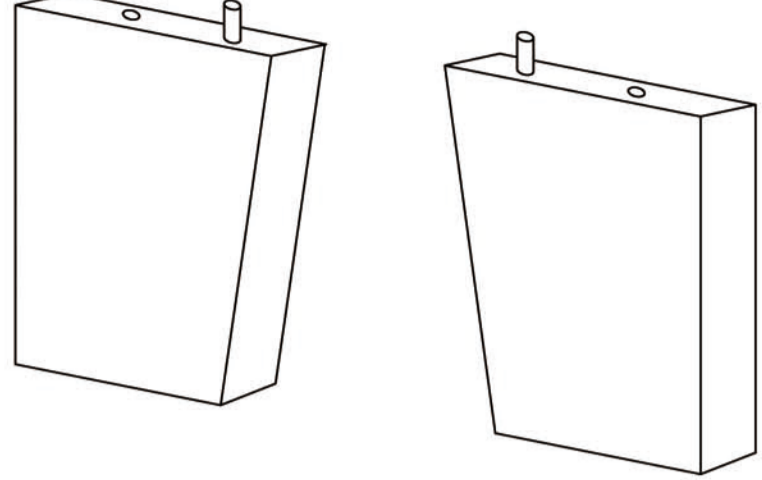
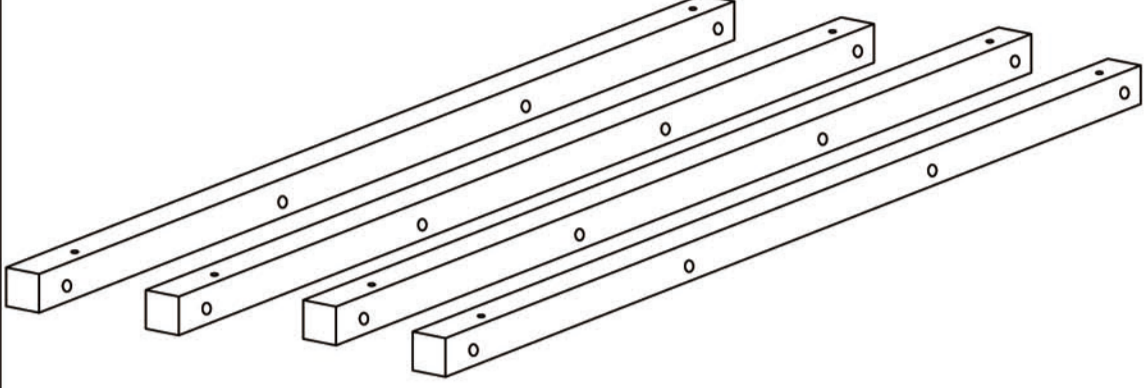
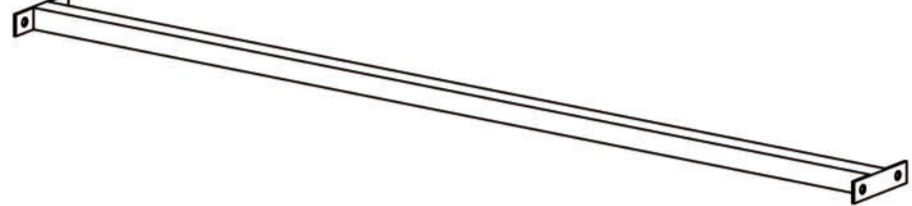
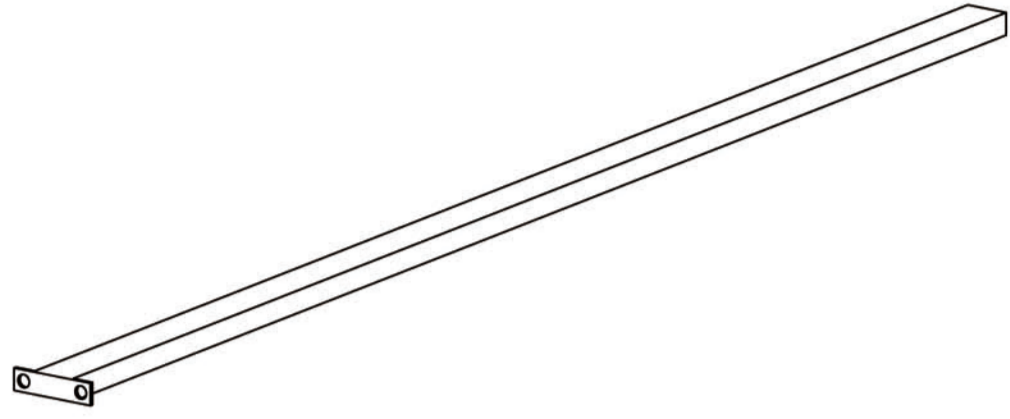
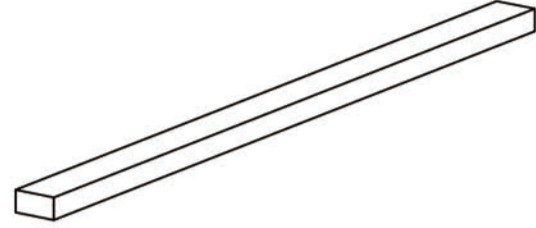
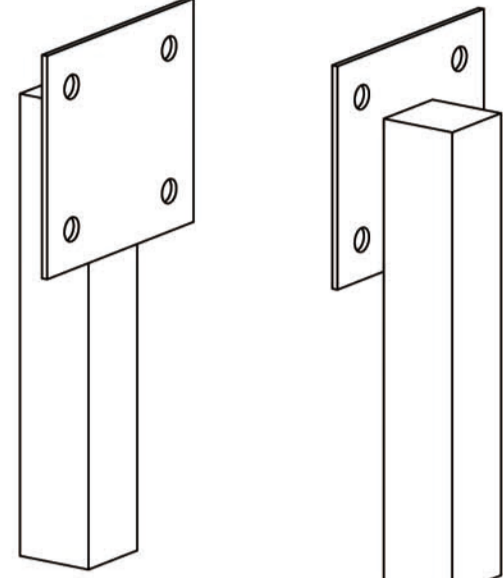
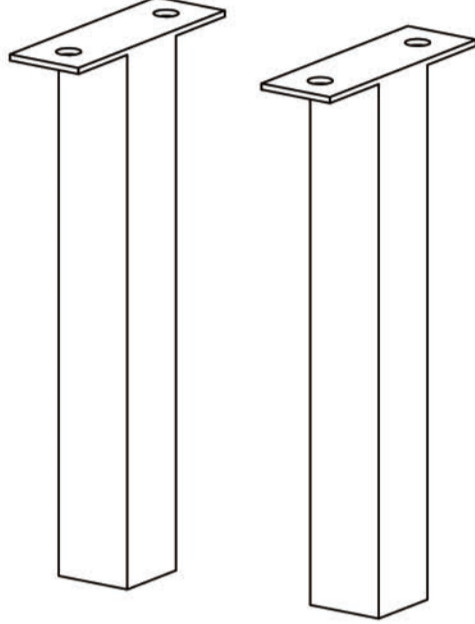
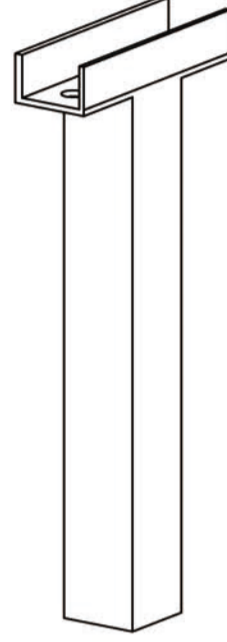
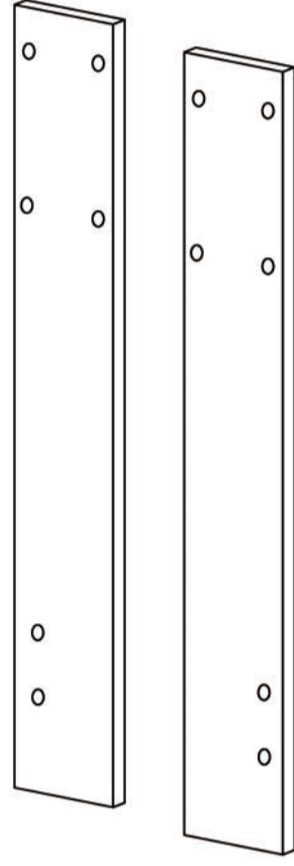
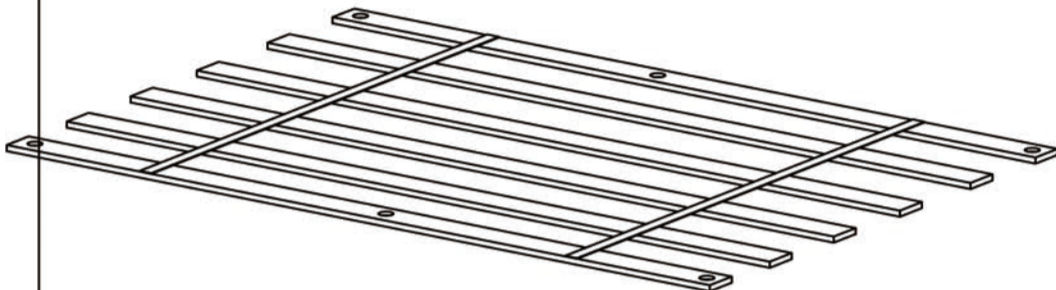
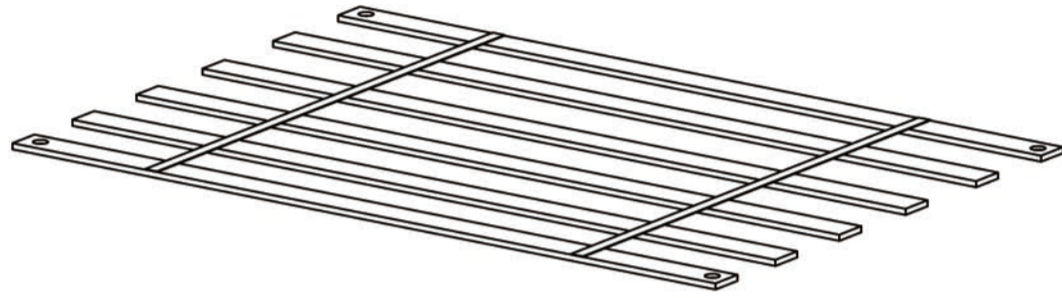
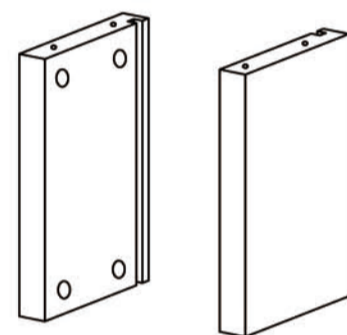
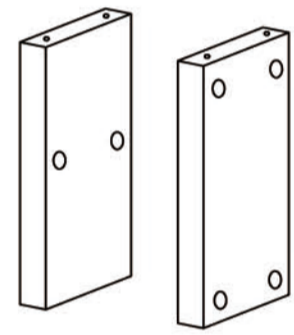
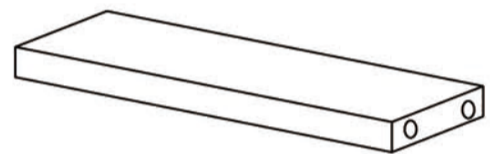
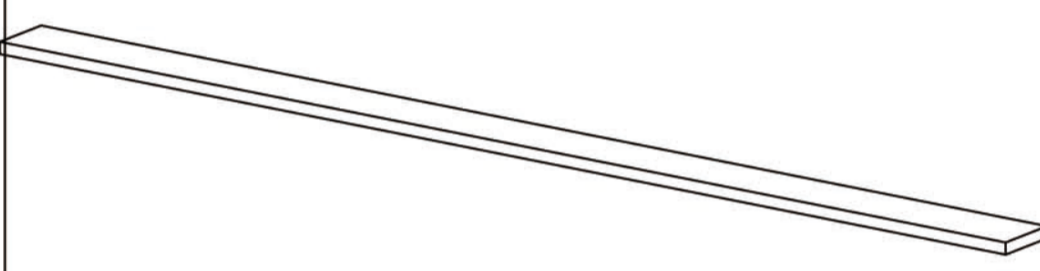
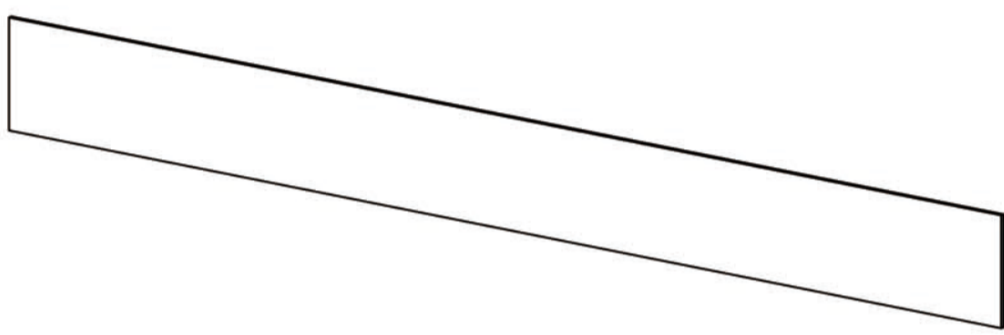
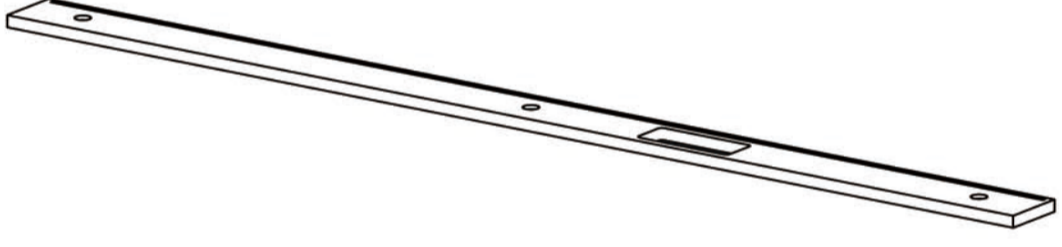
CARE AND CLEANING

DO NOT scratch or chip the finish. DO NOT use abrasive chemicals for cleaning.
Clean with mild soap on a soft rag. Rinse and dry thoroughly.

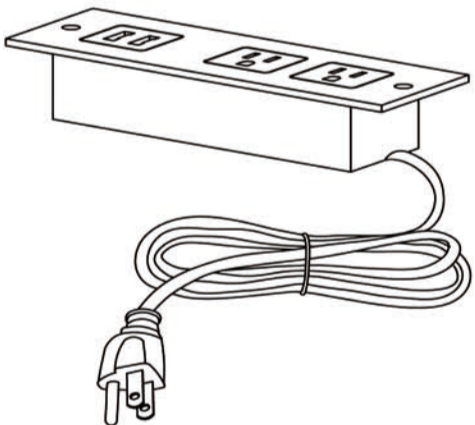
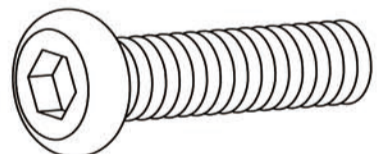
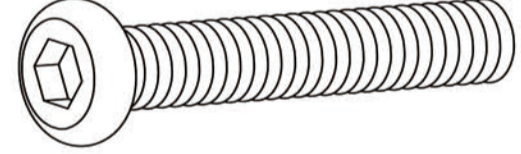
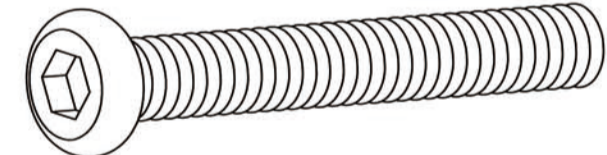
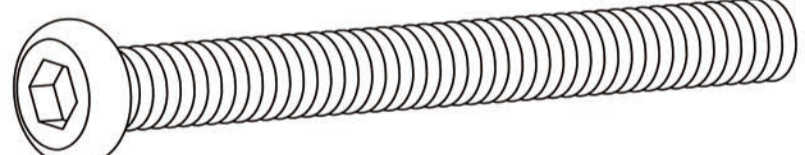
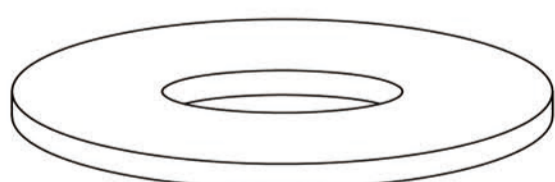

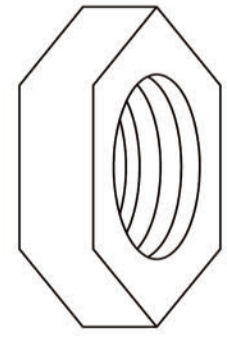
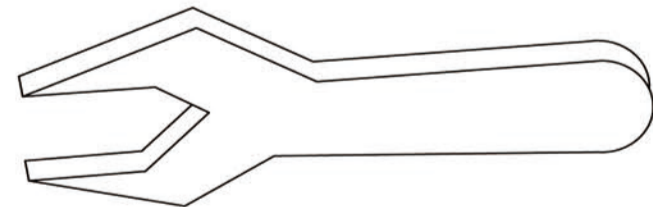
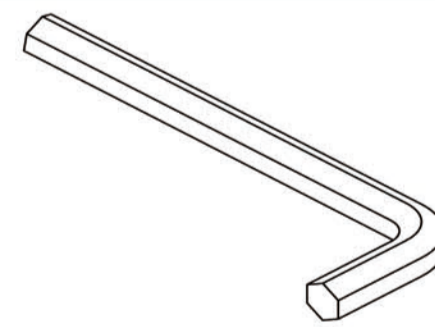
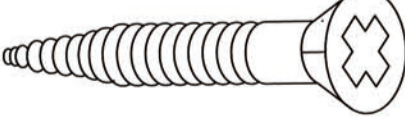
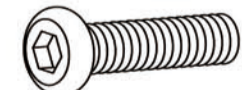

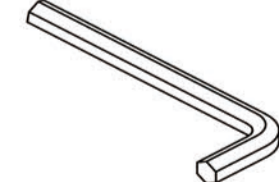
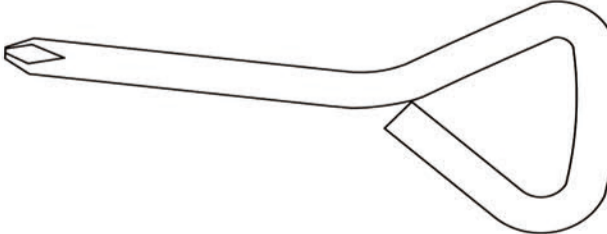
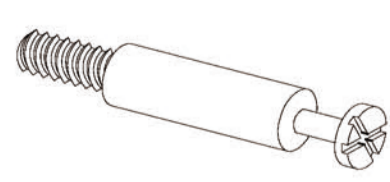
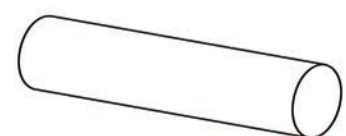
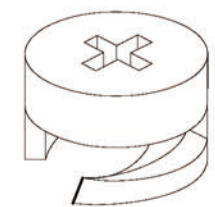



The above diagram is a guide to help you to identify the different parts of the unit when removing them from the packaging. Please follow the listed steps in order to complete the assembly process.

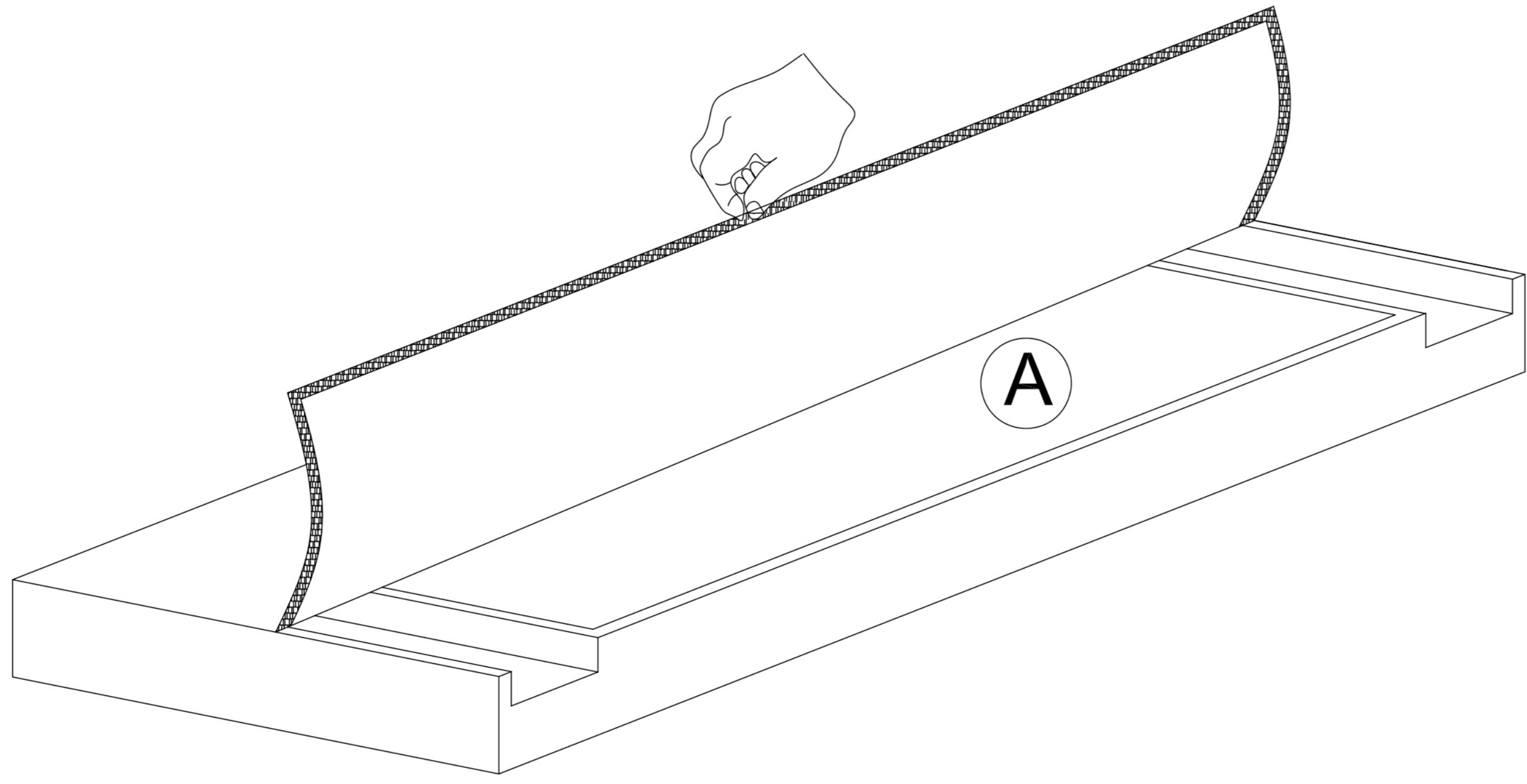
Parts List

				
A x 1pc	B x 1pc	C x 2pcs	D x 2pcs	E x 2pcs
				
F x 4pcs	G x 1pc	H x 1pc	I x 1pc	J x 2pcs
				
K1 x 2pcs	K2 x 1pc	L x 2pcs	M x 1pc	N x 1pc
				
O x 2pcs	P x 2pcs	Q x 1pc	R x 1pc	S x 1pc
				
T x 1pc				

Hardware List

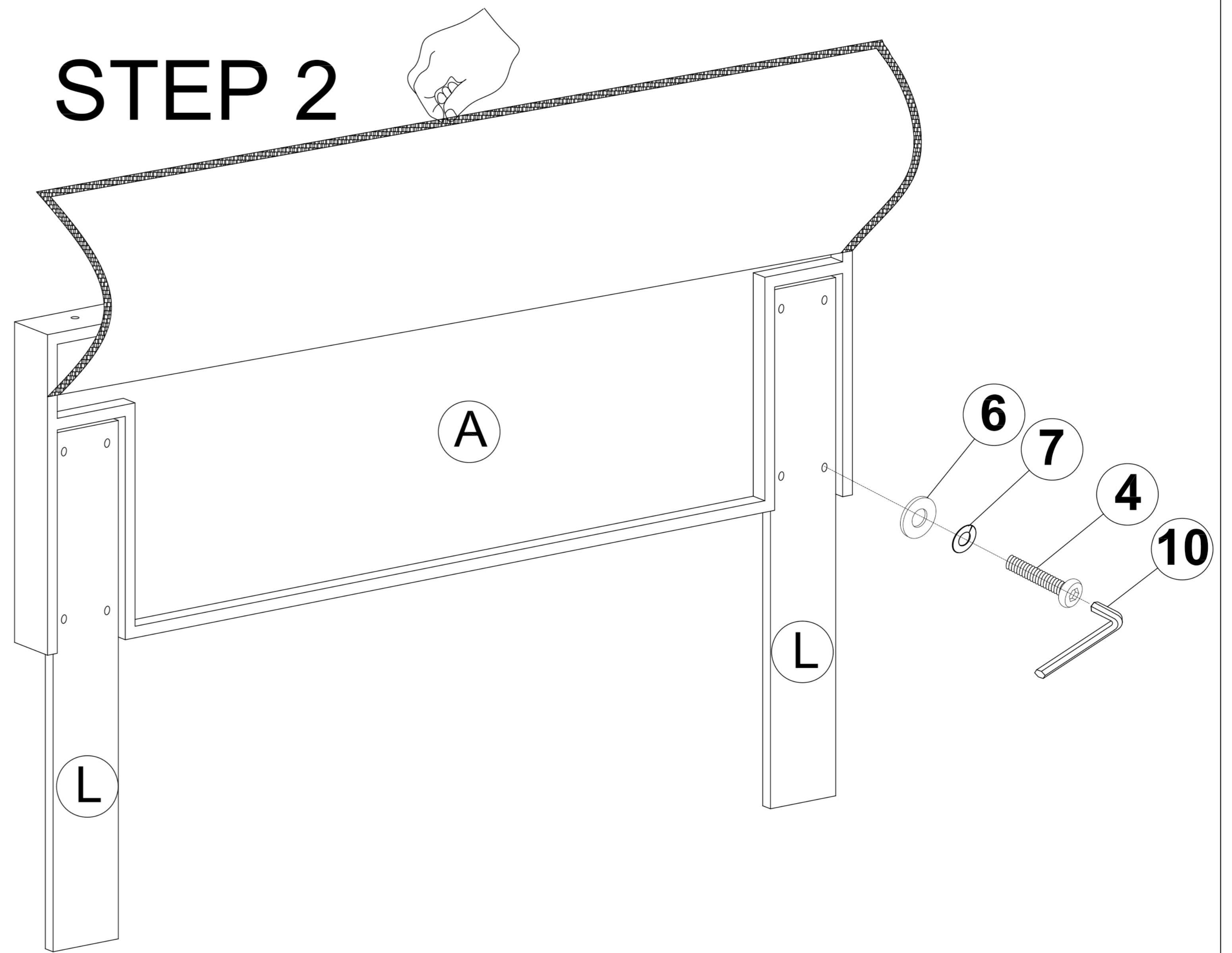
				
1 x 1pc	2 x 18pcs M8*25mm	3 x 19pcs M8*40mm	4 x 14pcs M8*50mm	5 x 2pcs M8*60mm
				
6 x 59pcs Ø19mm	7 x 50pcs M8*1.2mm	8 x 6pcs	9 x 1pc	10 x 1pc 100*40*5mm
				
11 x 2pcs Ø8*15mm	12 x 8pcs M6*25mm	13 x 8pcs Ø15mm	14 x 1pc 57*21*4mm	15 x 1pc
				
16 x 16pcs	17 x 4pcs	18 x 16pcs	19 x 16pcs	

STEP 1

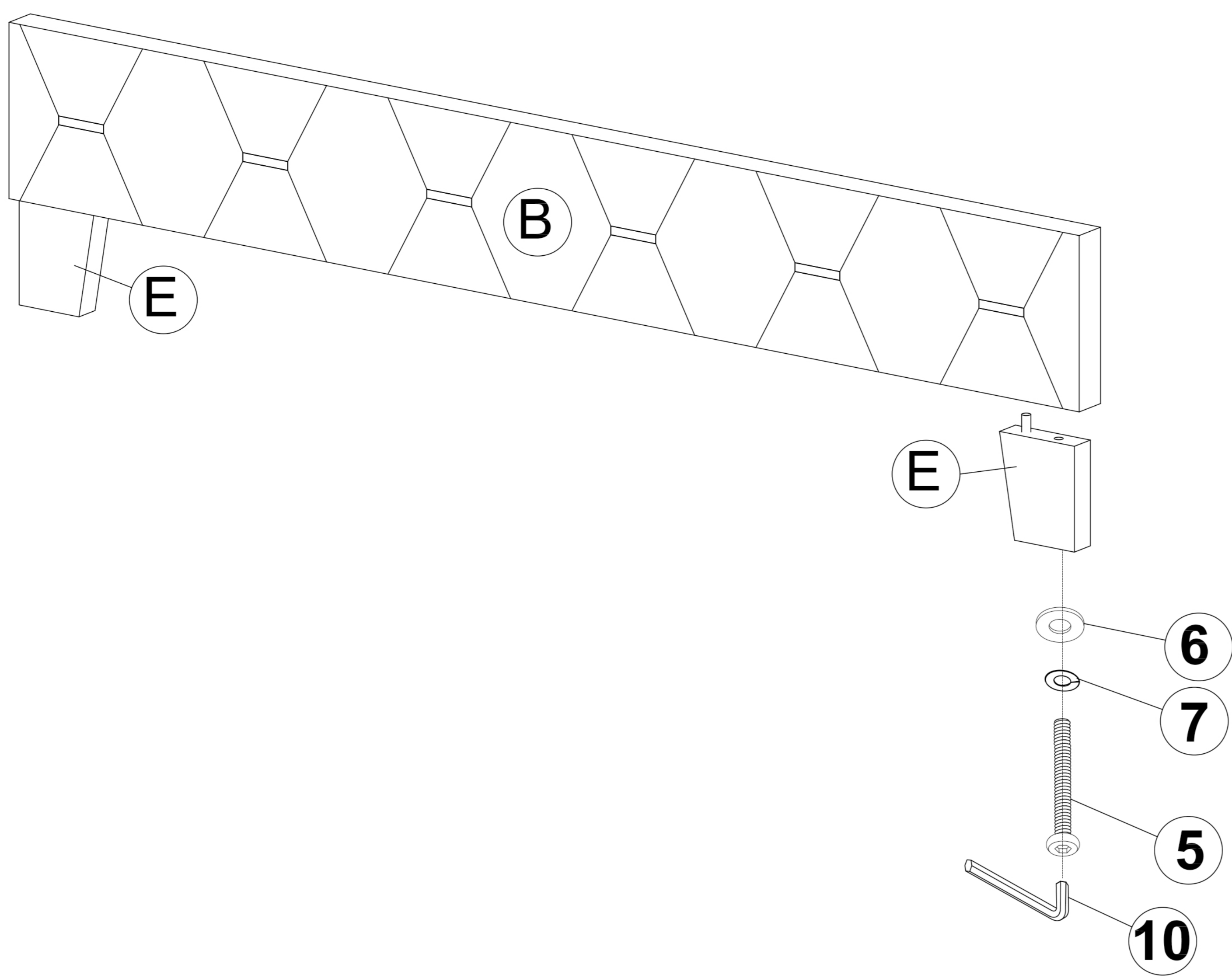


Please remove the fabric cover carefully and take the parts form inside.

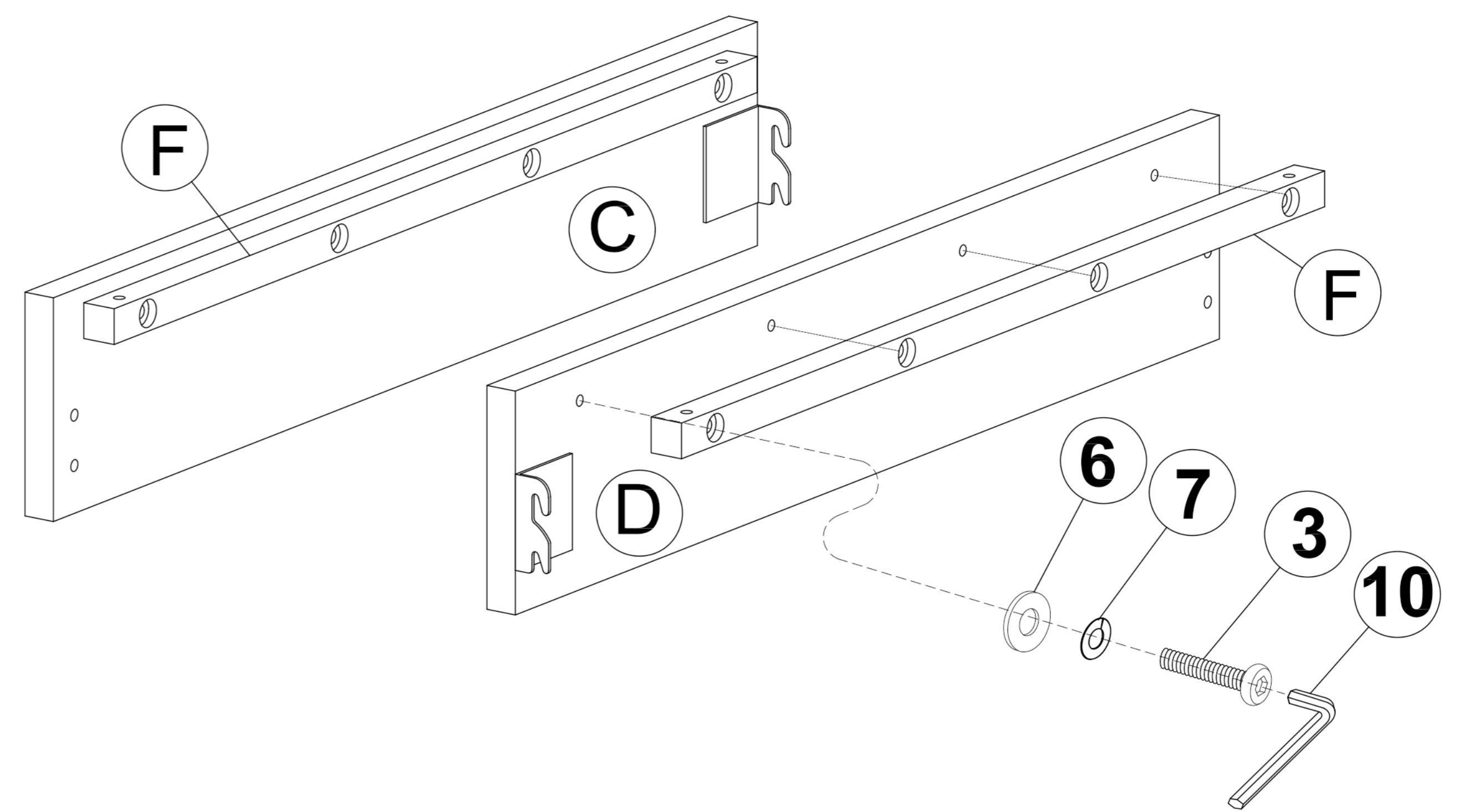
STEP 2



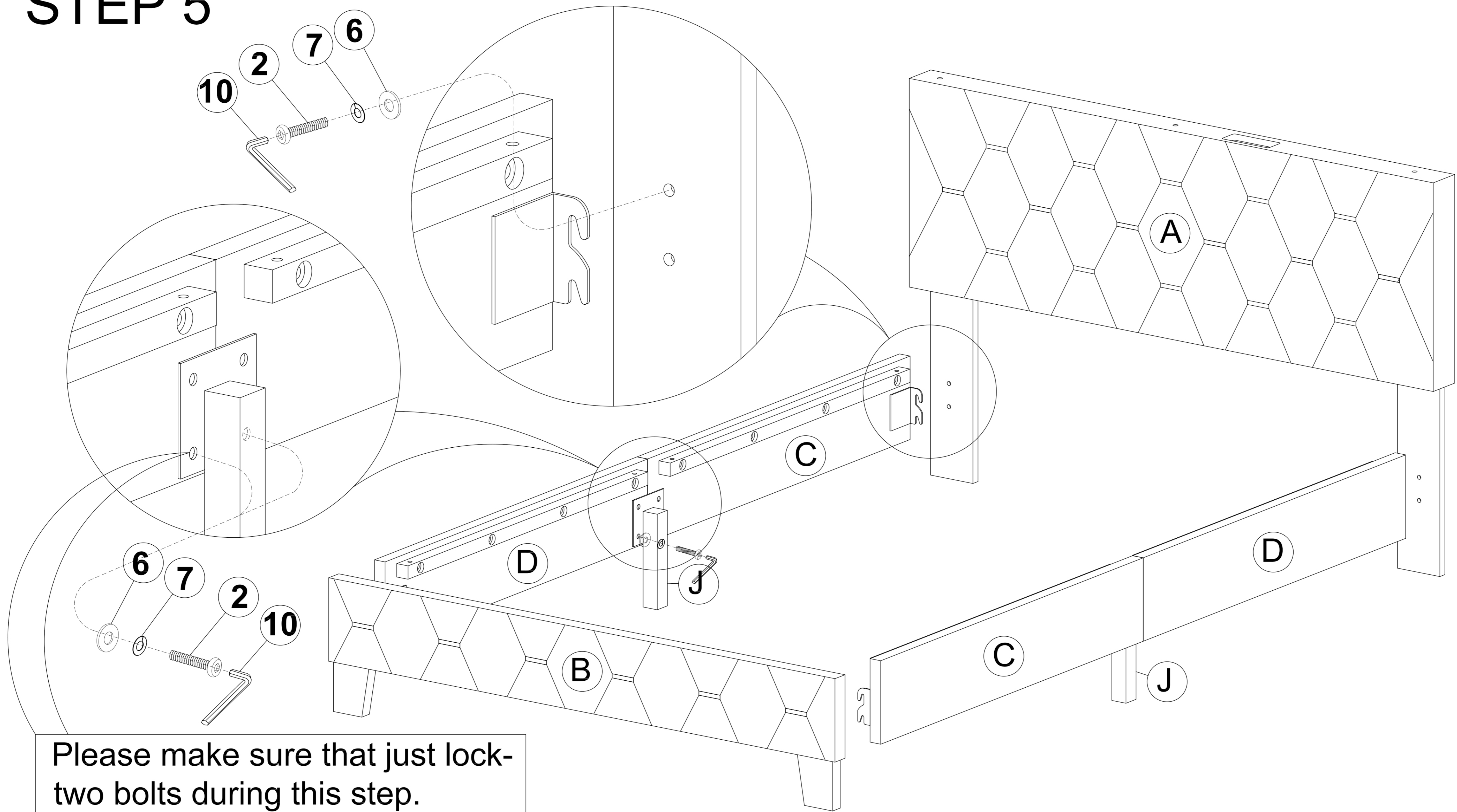
STEP 3



STEP 4



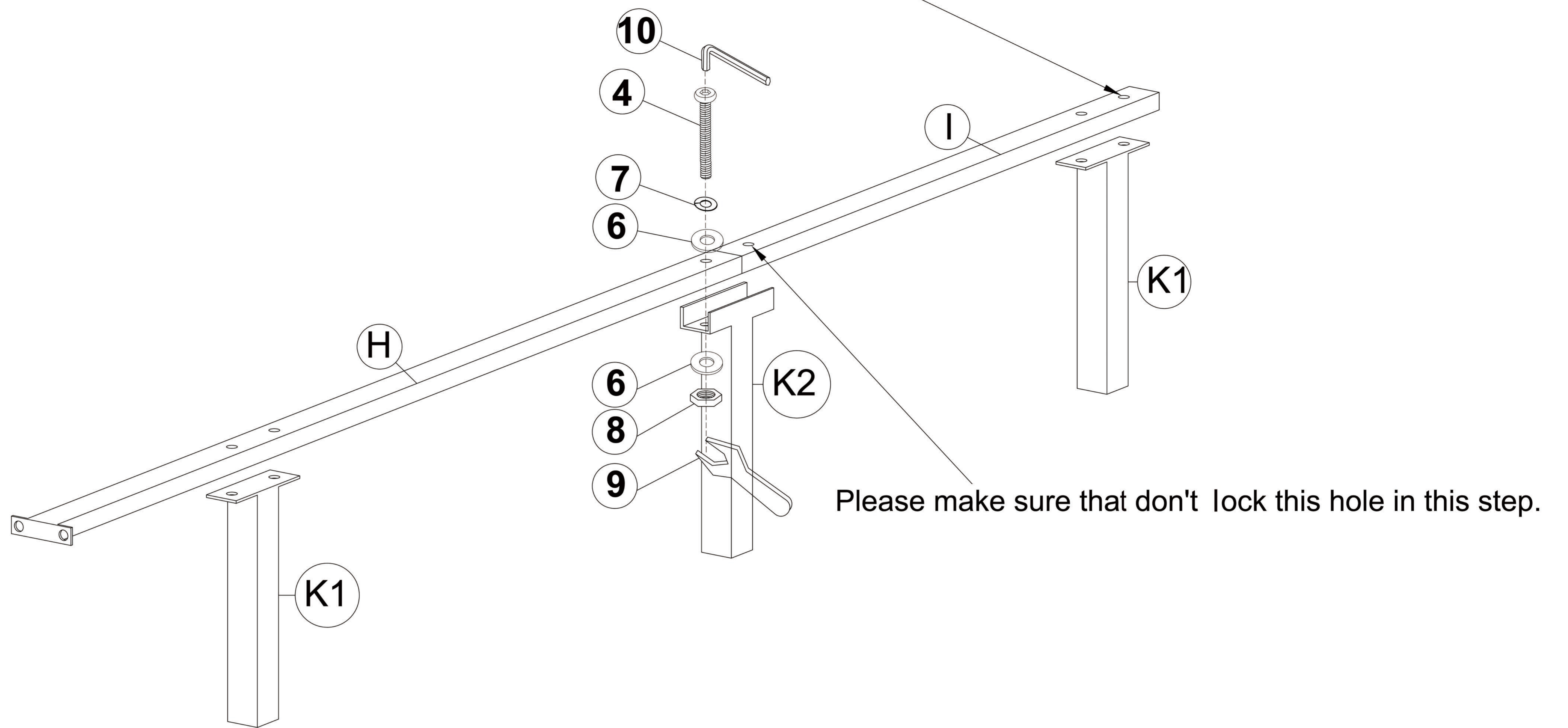
STEP 5



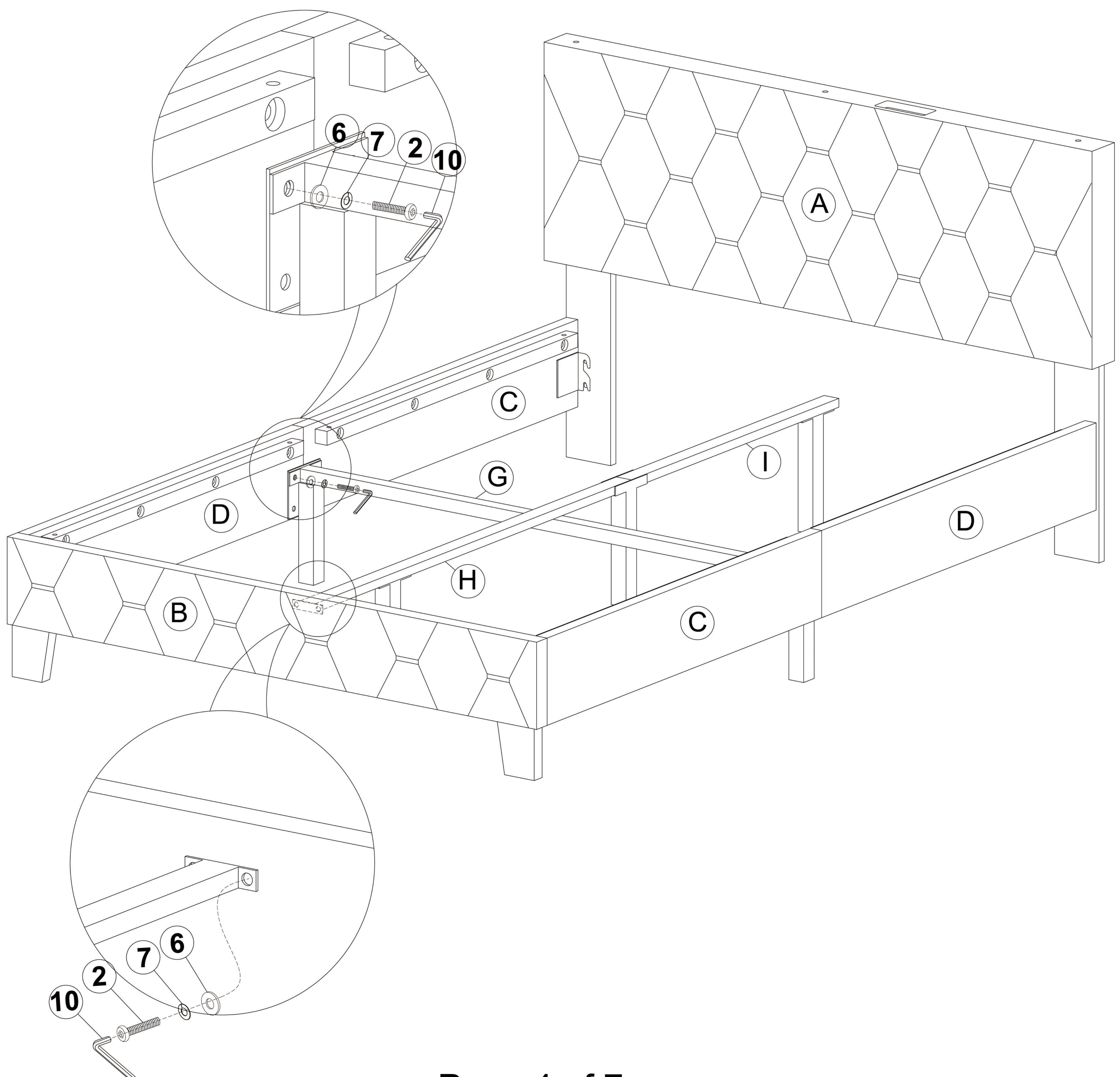
Please make sure that just lock two bolts during this step.

STEP 6

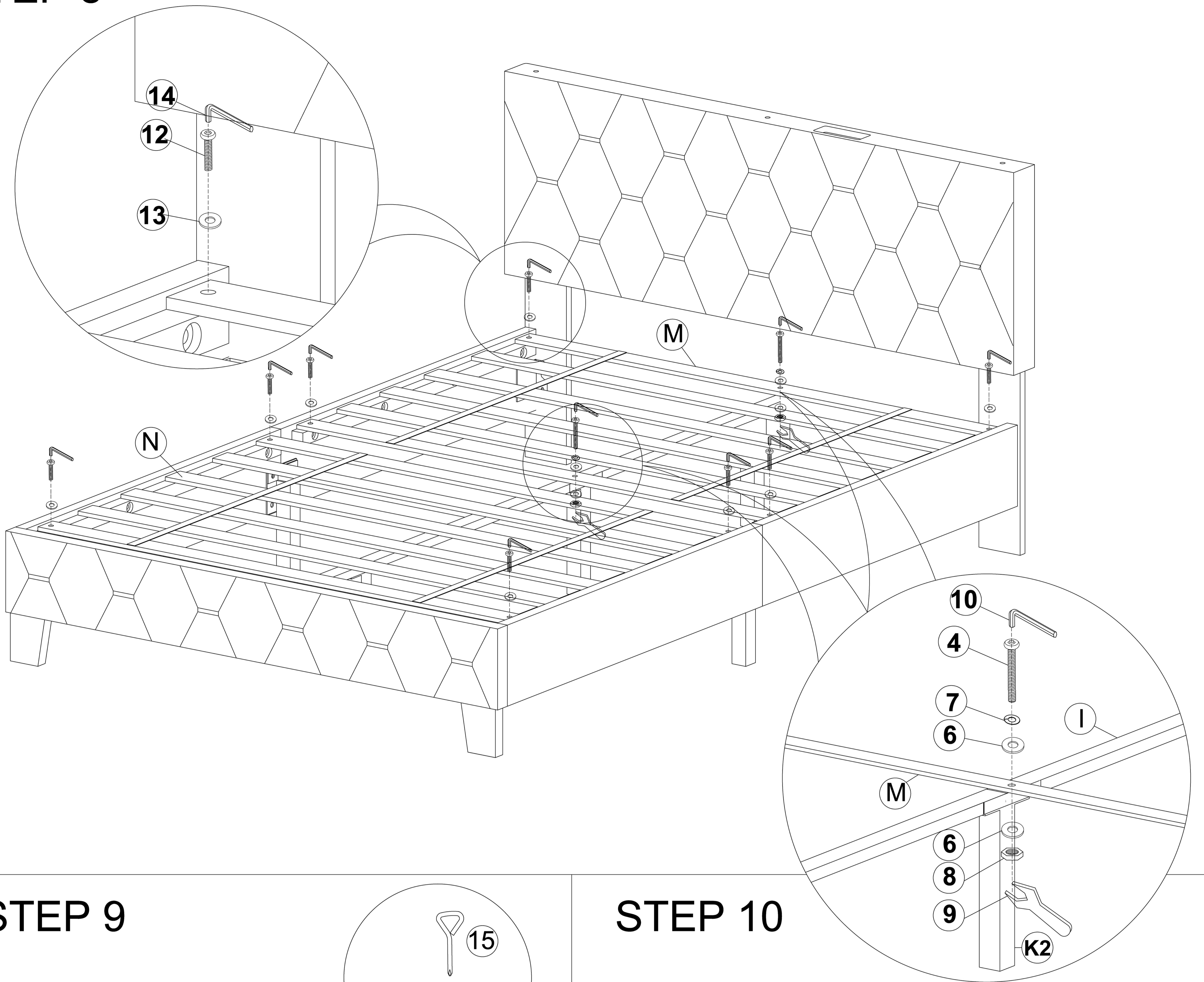
Please make sure that don't lock this hole in this step.



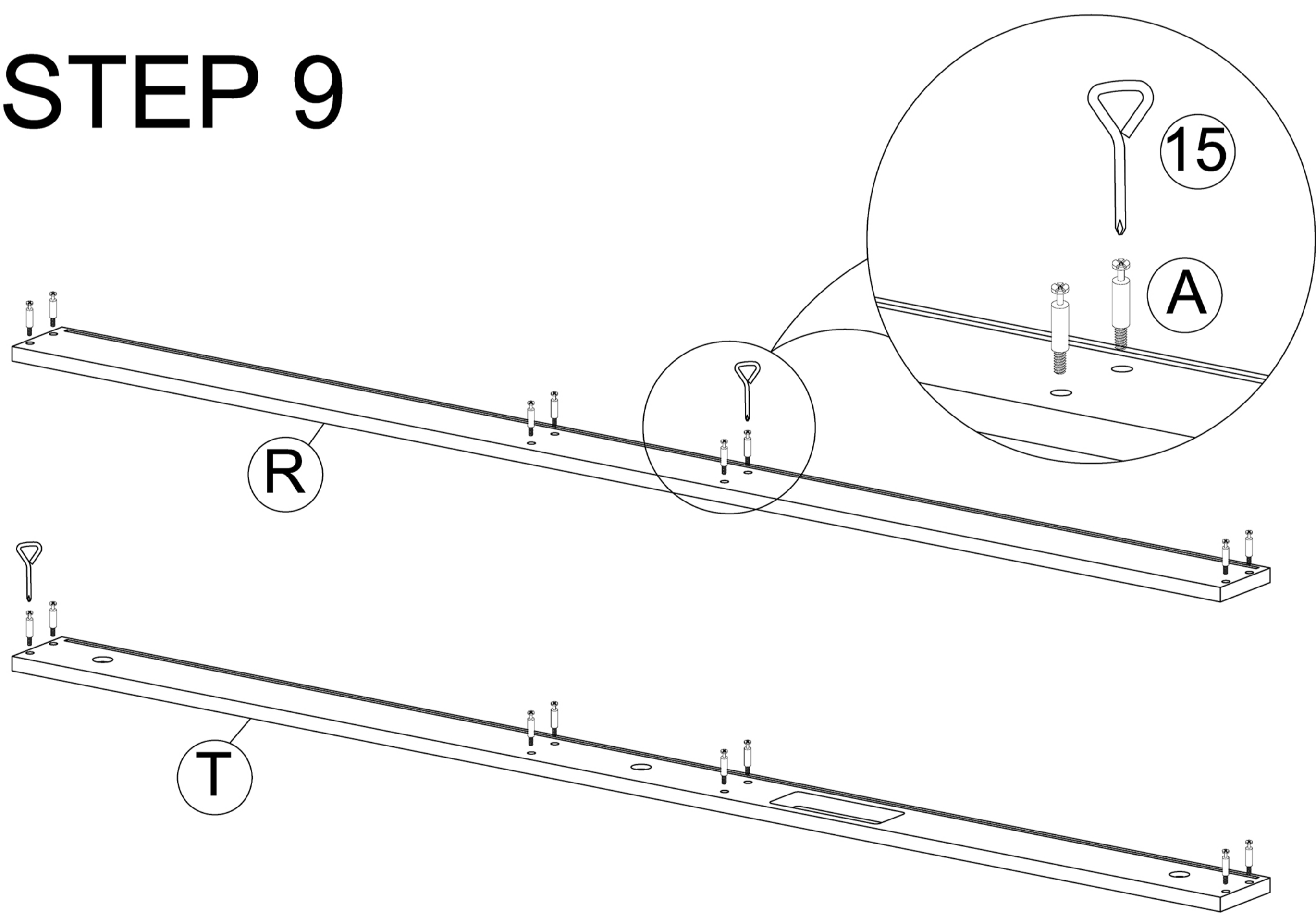
STEP 7



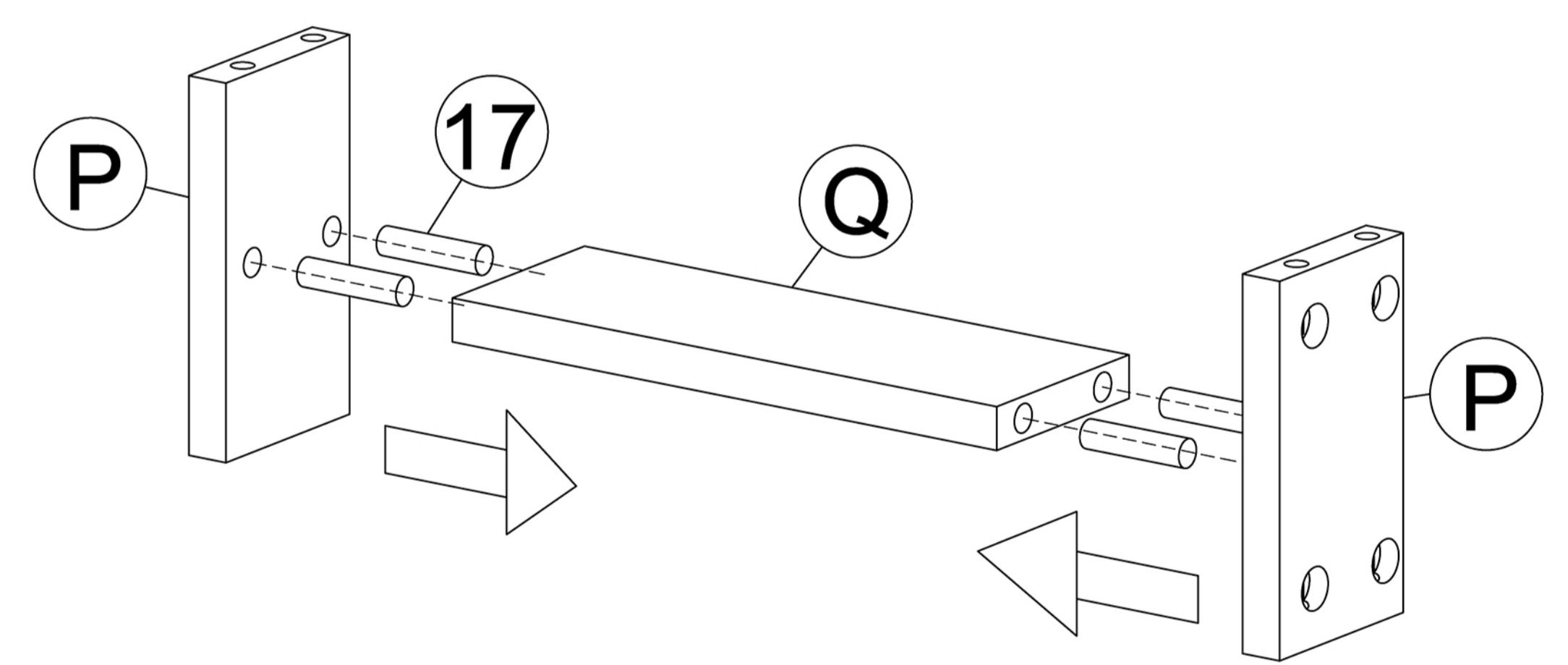
STEP 8



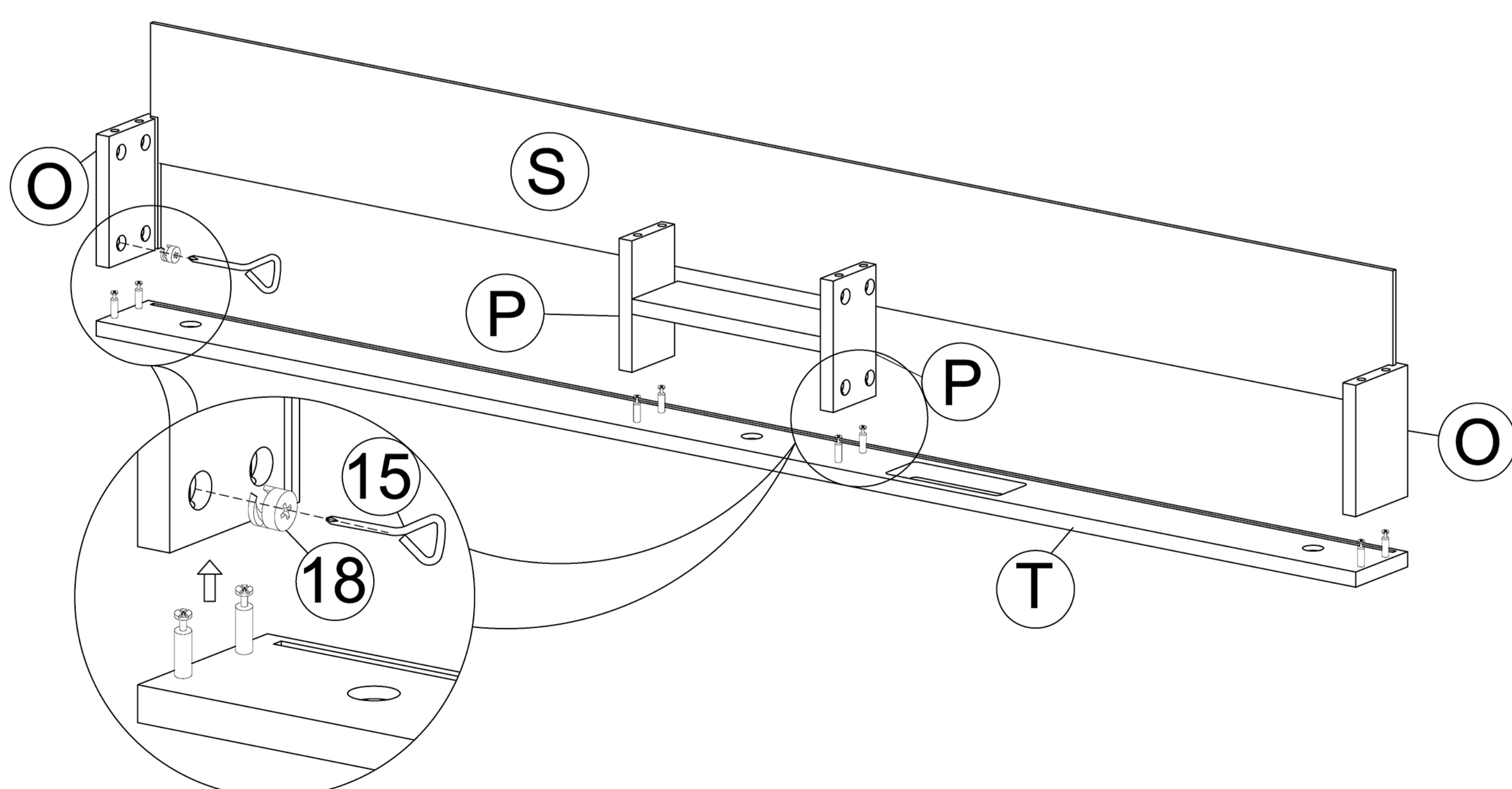
STEP 9



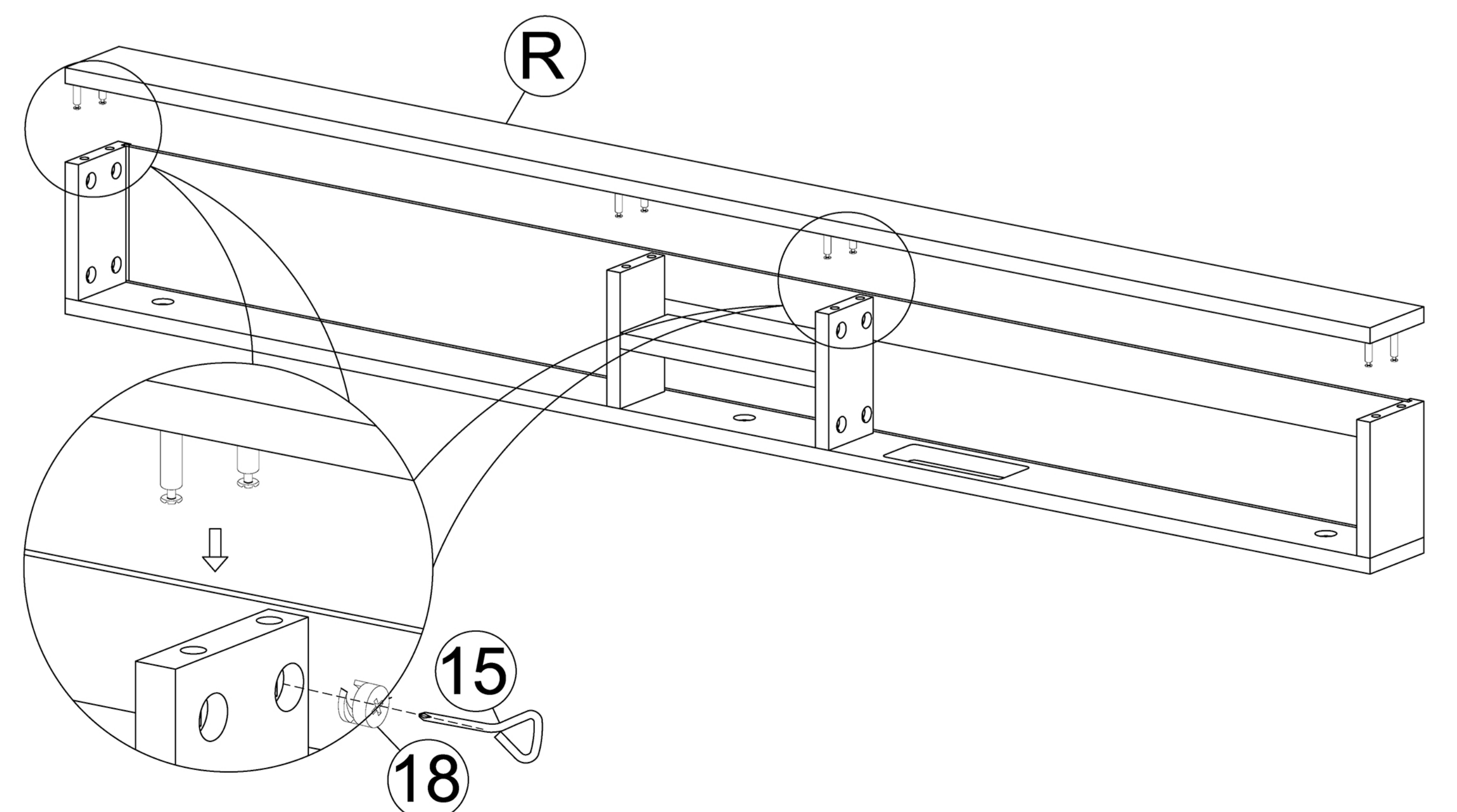
STEP 10



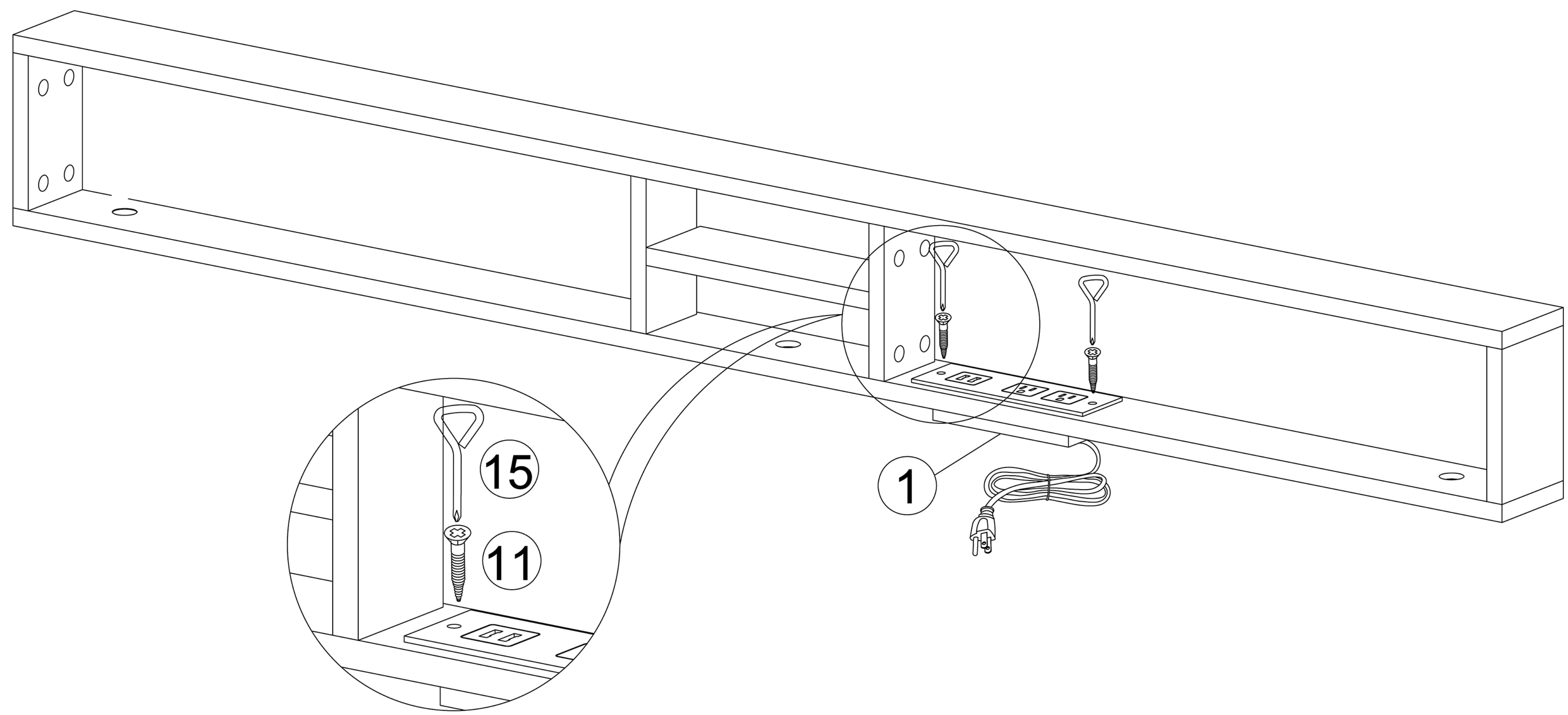
STEP 11



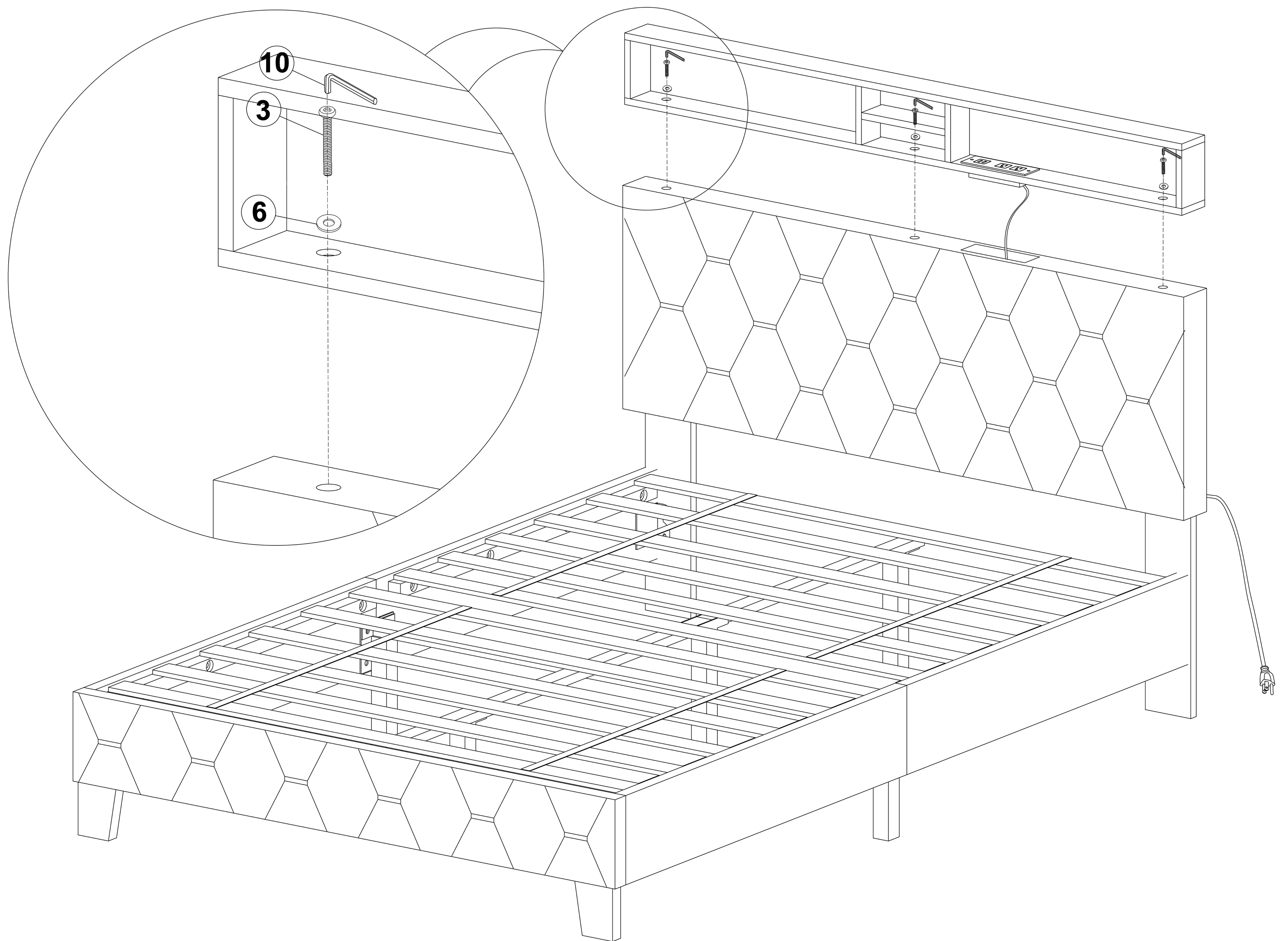
STEP 12



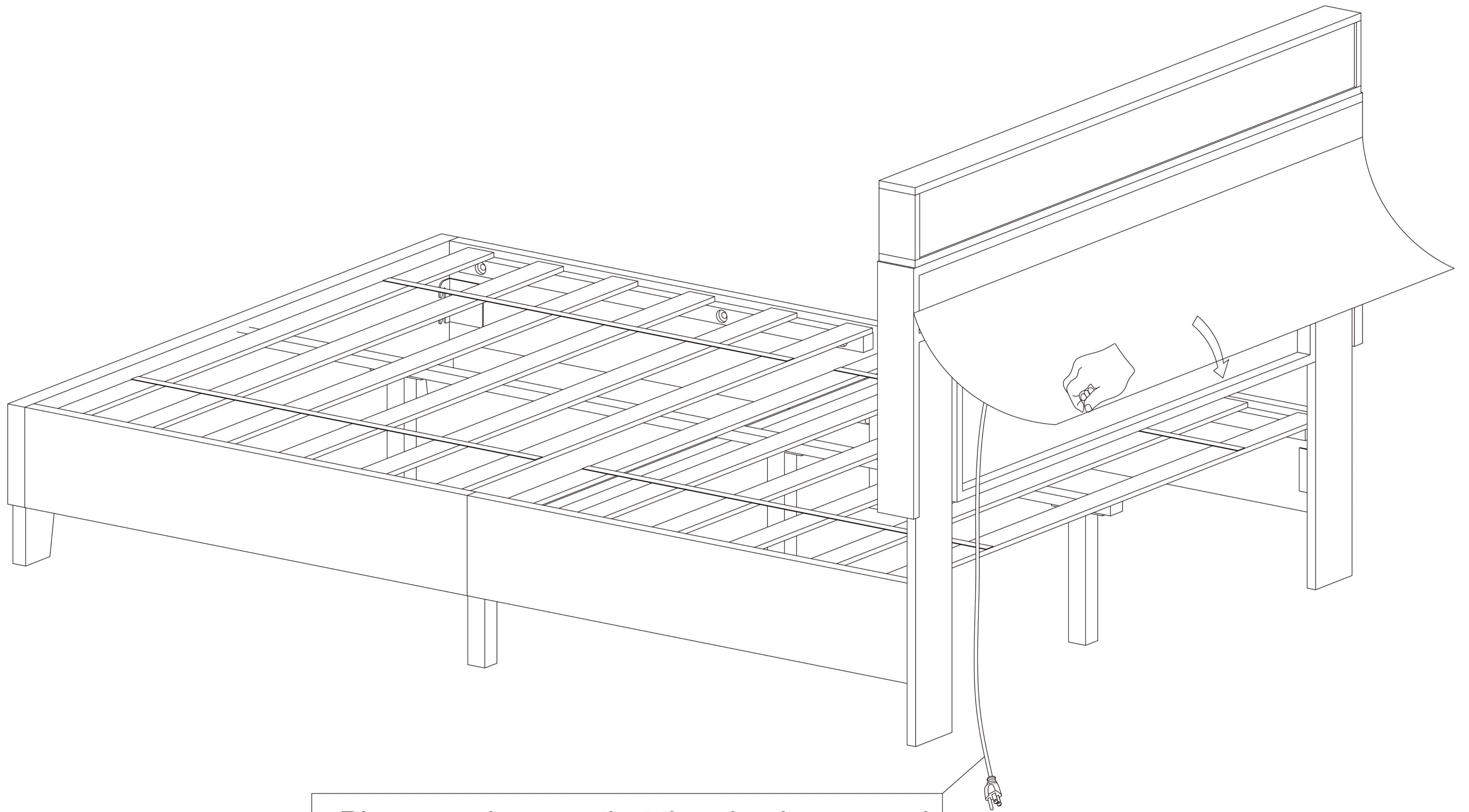
STEP 13



STEP 14

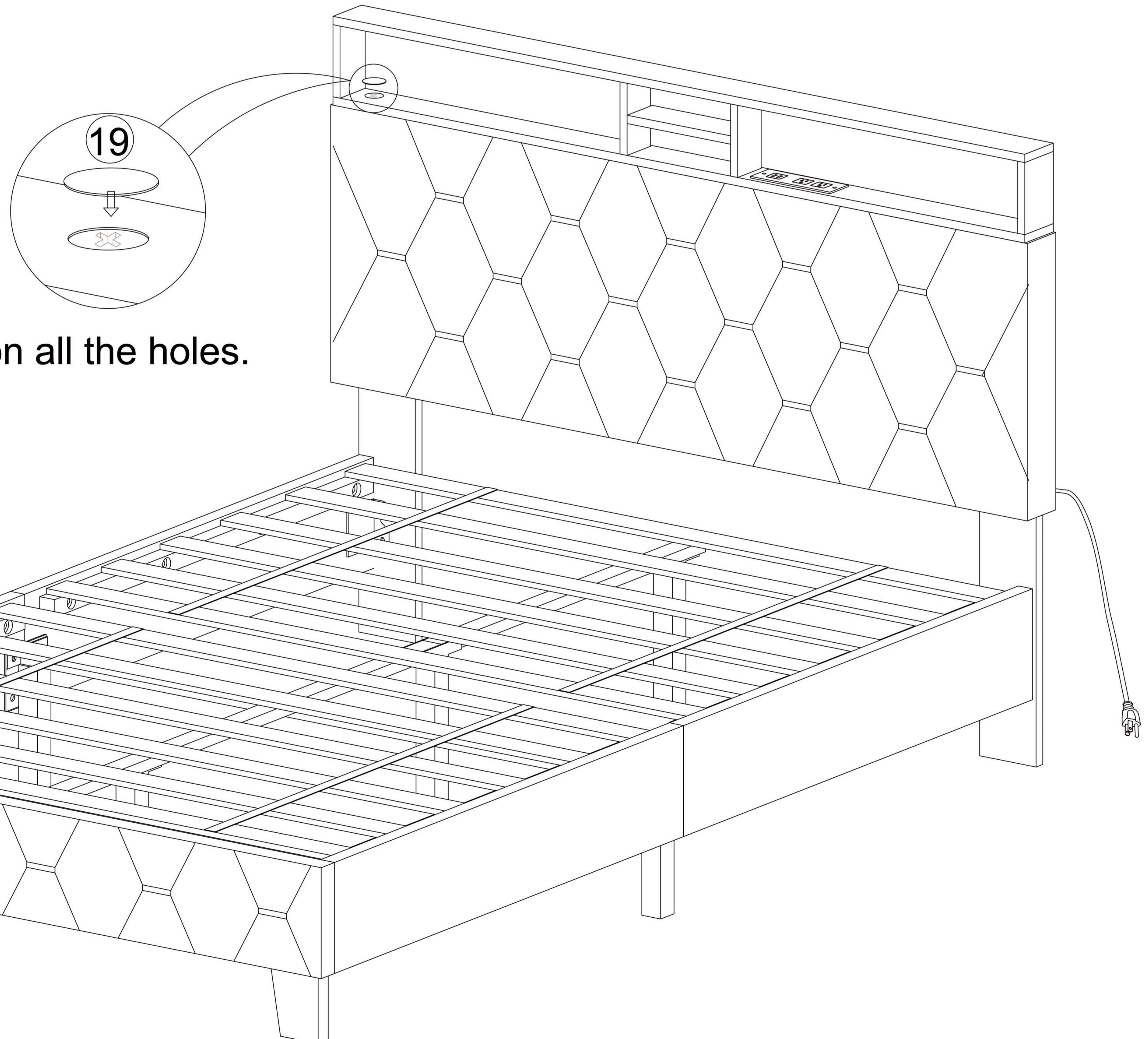


STEP 15



Please make sure that the plug is exposed and stick the fabric cover carefully.

ASSEMBLED



Use the parts (19) to Stick on all the holes.