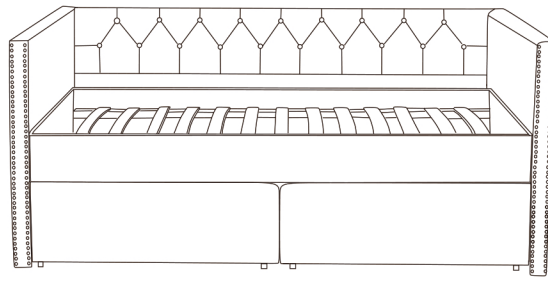
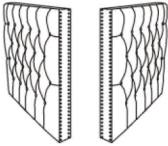
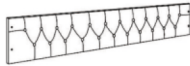























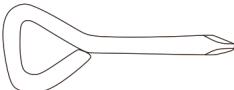







ASSEMBLY INSTRUCTION

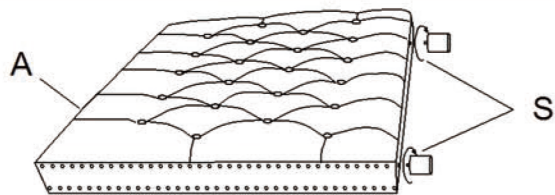
ITEM NO.:8199F



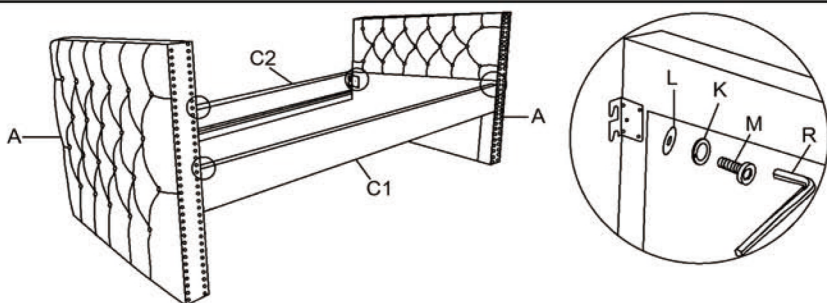
PARTS LIST

 <p>A 2PCS</p>	 <p>B 1PC</p>	 <p>C1 1PC</p>	 <p>C2 1PC</p>	 <p>G 3PCS</p>
 <p>H 10PCS</p>	 <p>I 20PCS</p>	 <p>K 16PCS M8X1.2</p>	 <p>L 32PCS ϕ19</p>	 <p>M 16CS M8*25</p>
 <p>N 6PCS M8*50</p>	 <p>O 4PCS M8*60</p>	 <p>P 6PCS</p>	 <p>Q 1PC</p>	 <p>R 1PC 65X25X5mm</p>
 <p>S 4PCS</p>	 <p>AA 4PCS</p>	 <p>BB 4PCS</p>	 <p>CC 2PCS</p>	 <p>DD 2PCS</p>
 <p>EE 2PCS</p>	 <p>FF 4PCS</p>	 <p>GG 2PCS</p>	 <p>HH 8PCS</p>	 <p>II 32PCS ϕ8*15</p>
 <p>JJ 1PC</p>	 <p>KK 24PCS</p>	 <p>LL 24PCS</p>	 <p>MM 16PCS</p>	 <p>T 1PC</p>
 <p>NN 24pcs</p>				

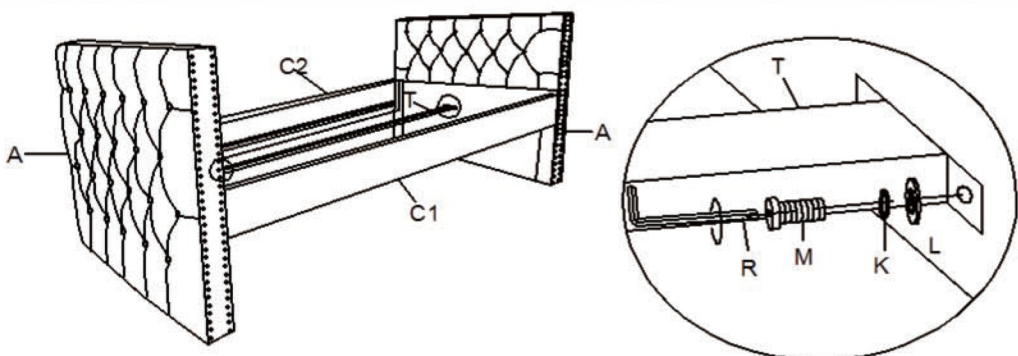
STEP1:



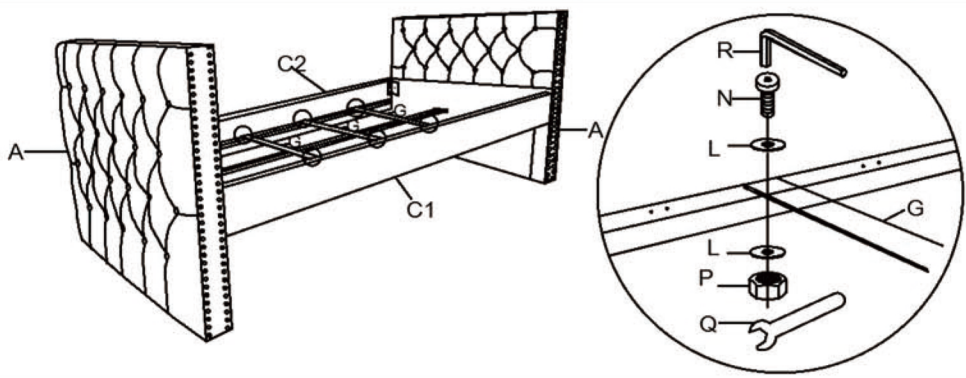
STEP2:



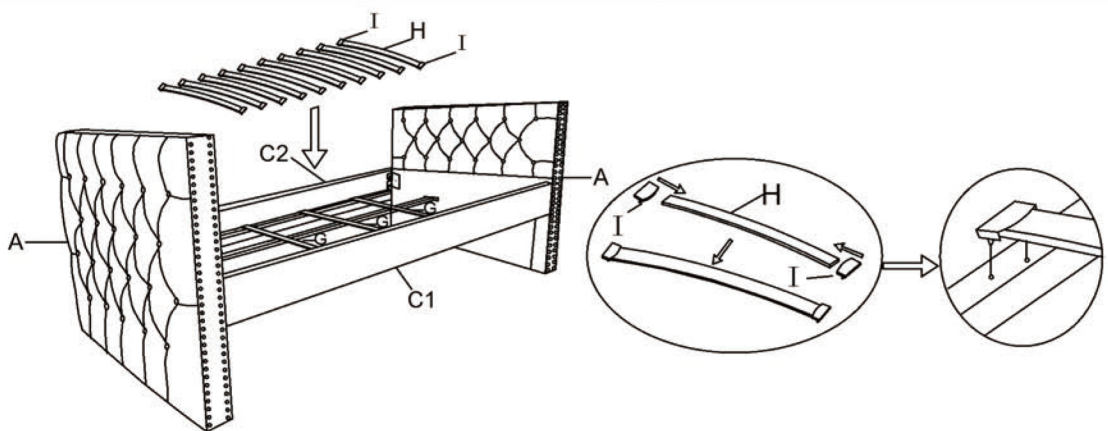
STEP3:



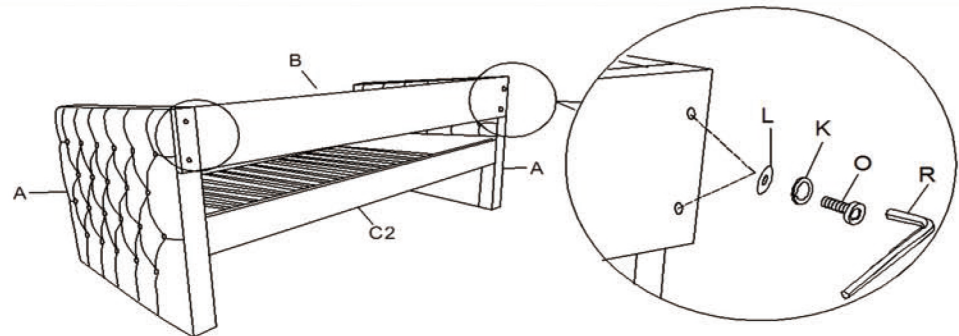
STEP4:



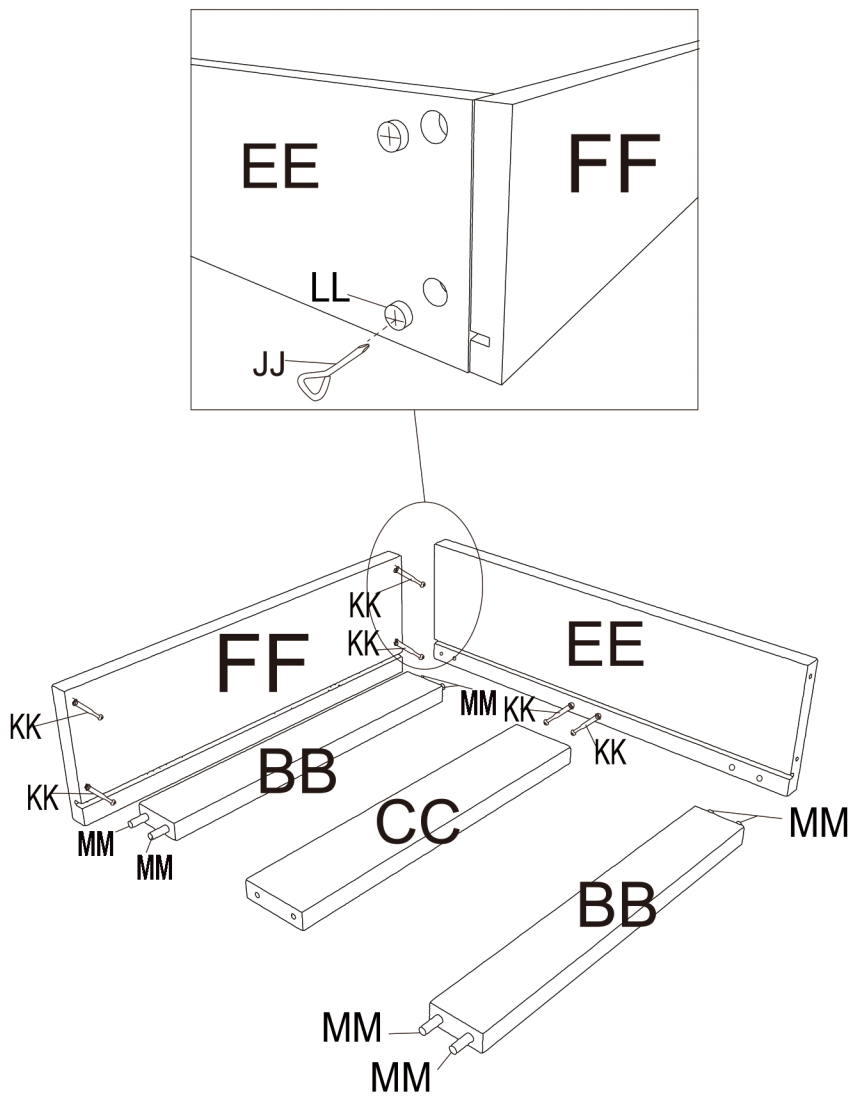
STEP5:



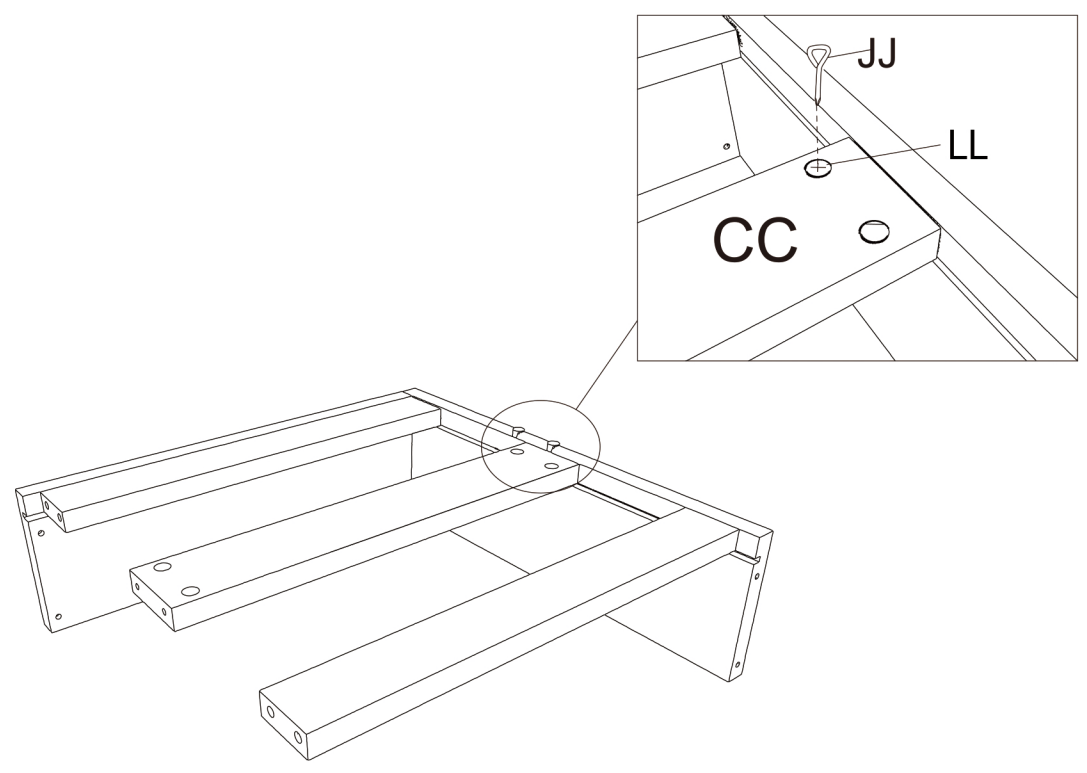
STEP6:



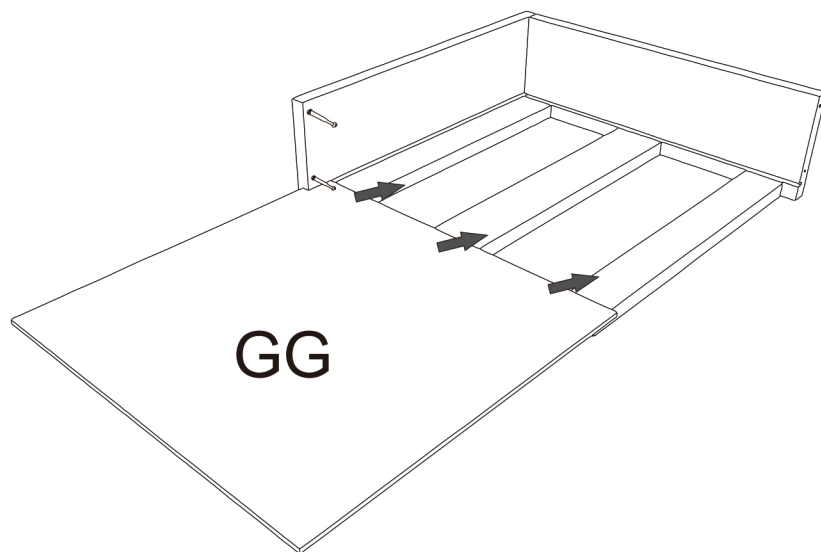
STEP6:



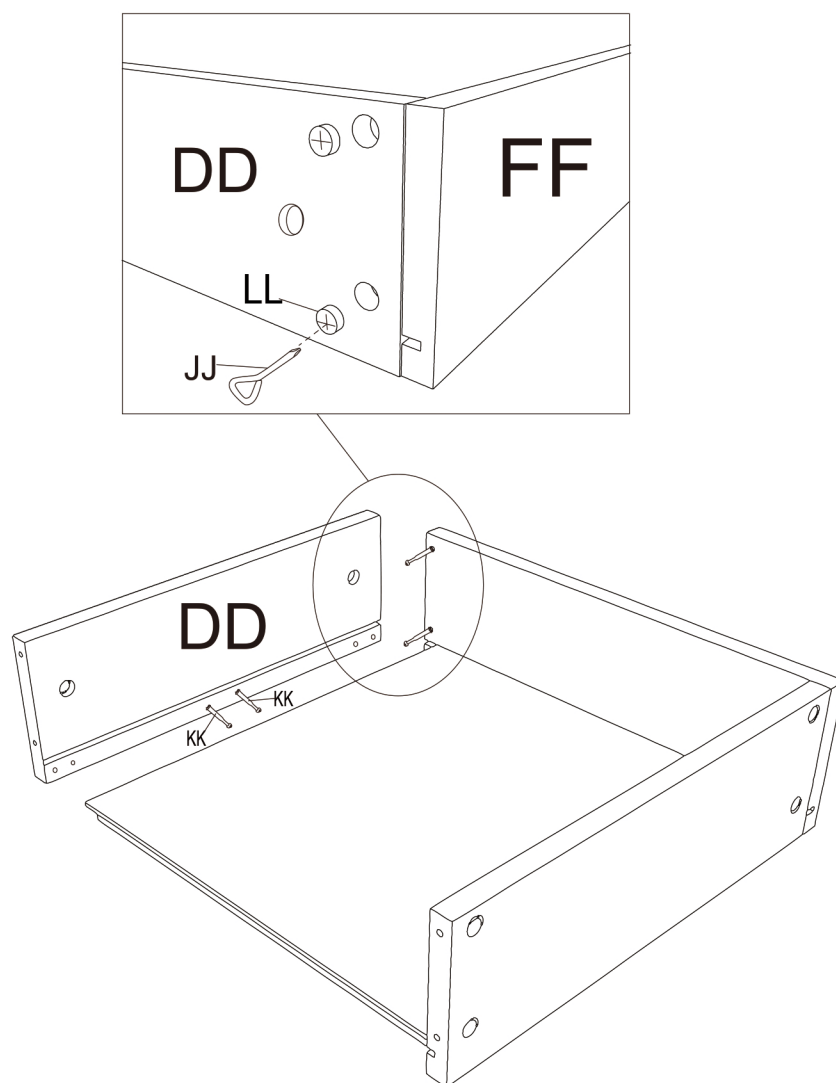
STEP7:



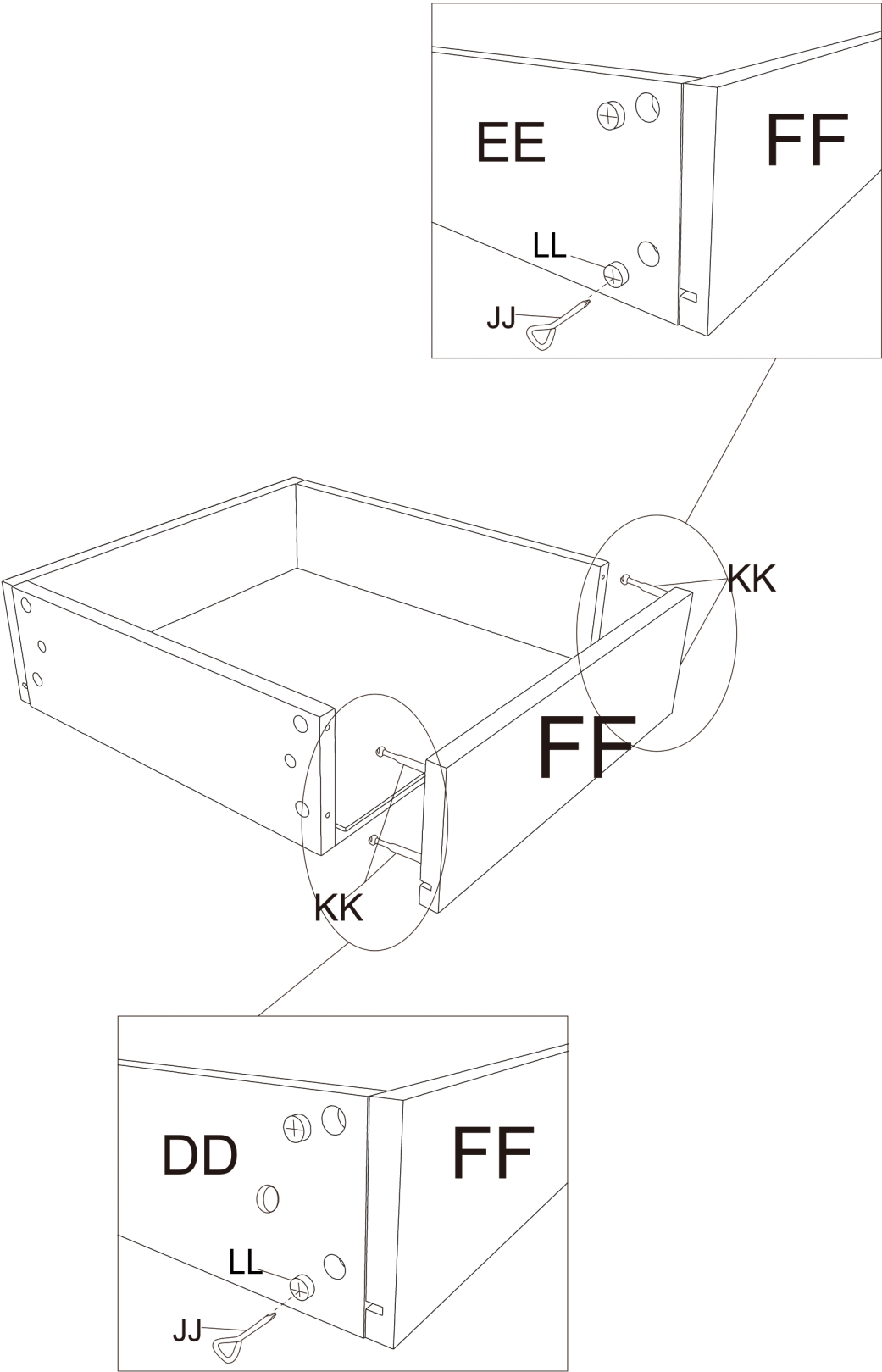
STEP8:



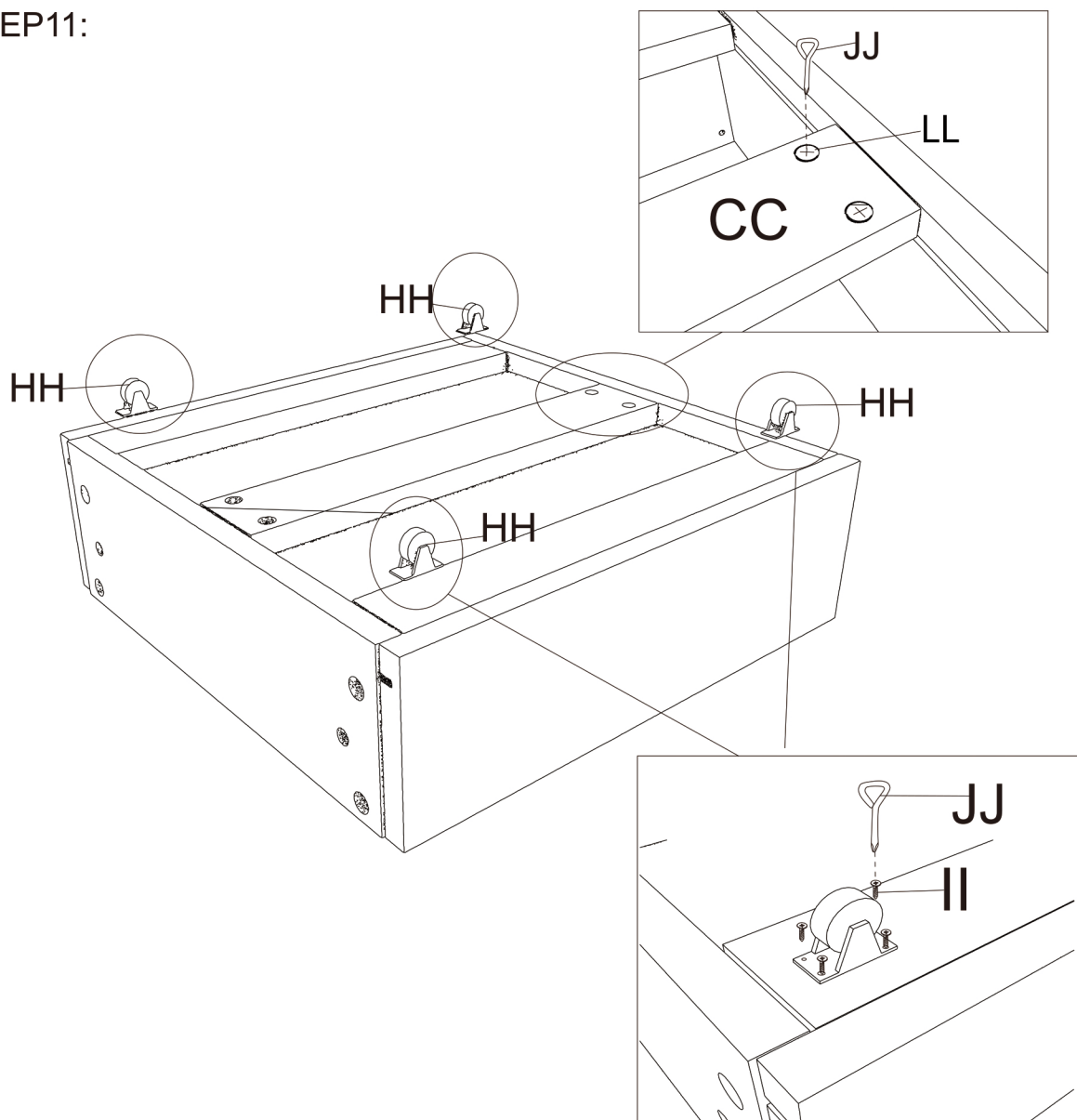
STEP9:



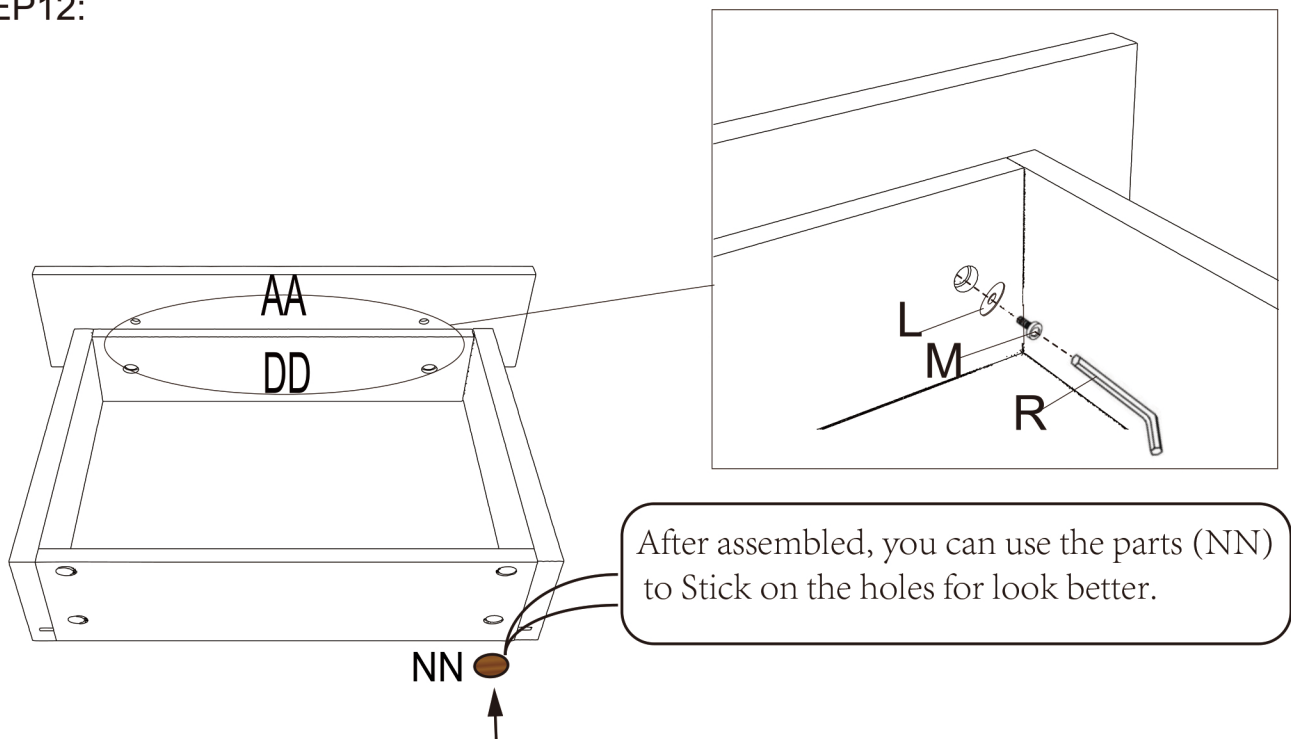
STEP10:



STEP11:

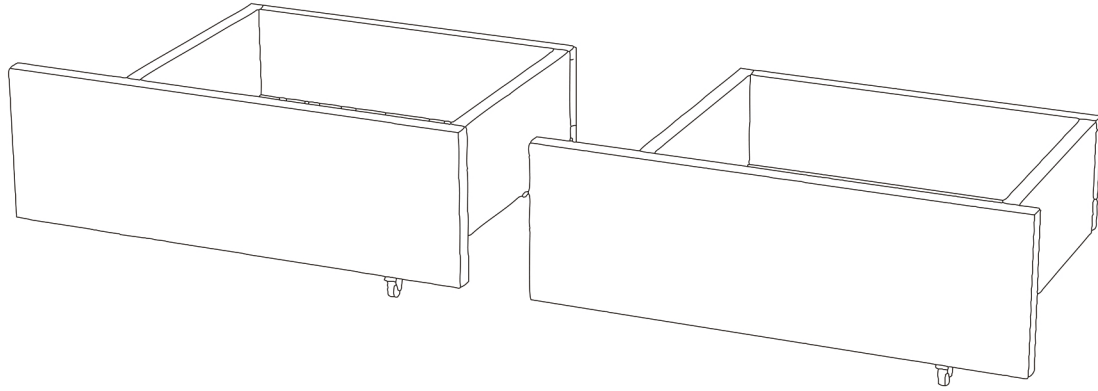


STEP12:



After assembled, you can use the parts (NN) to Stick on the holes for look better.

STEP13:



STEP14:

