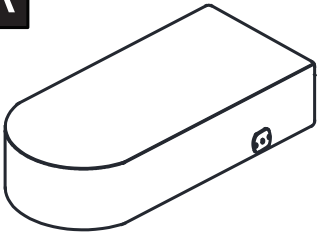


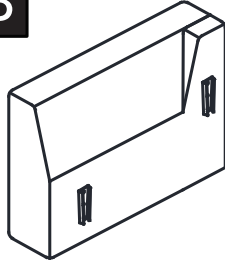
ASSEMBLY INSTRUCTION

A



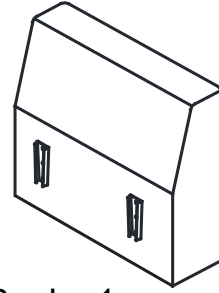
Seat x1pc

B



Arm x1pc (Left)

C



Back x1pc

D



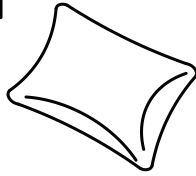
Leg x 8pcs

E



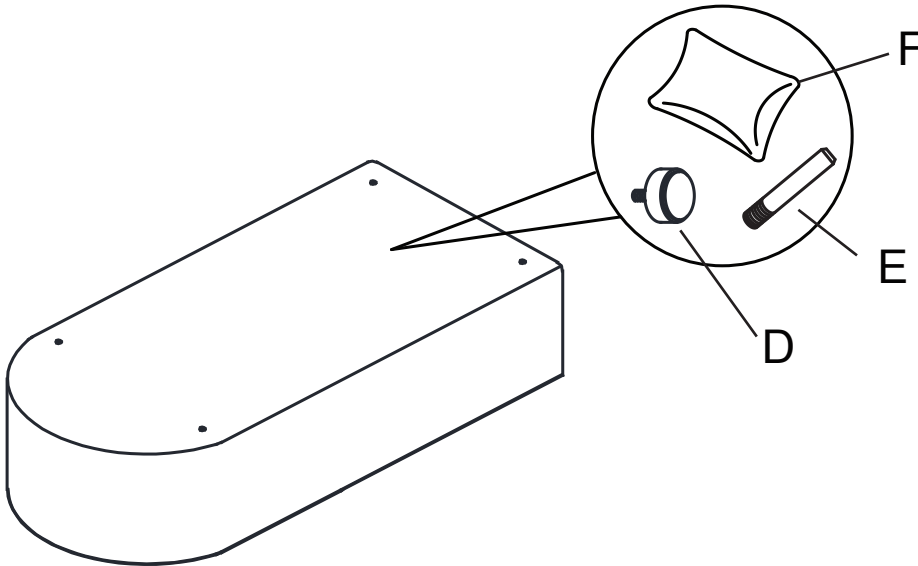
Bolt x 1pc

F

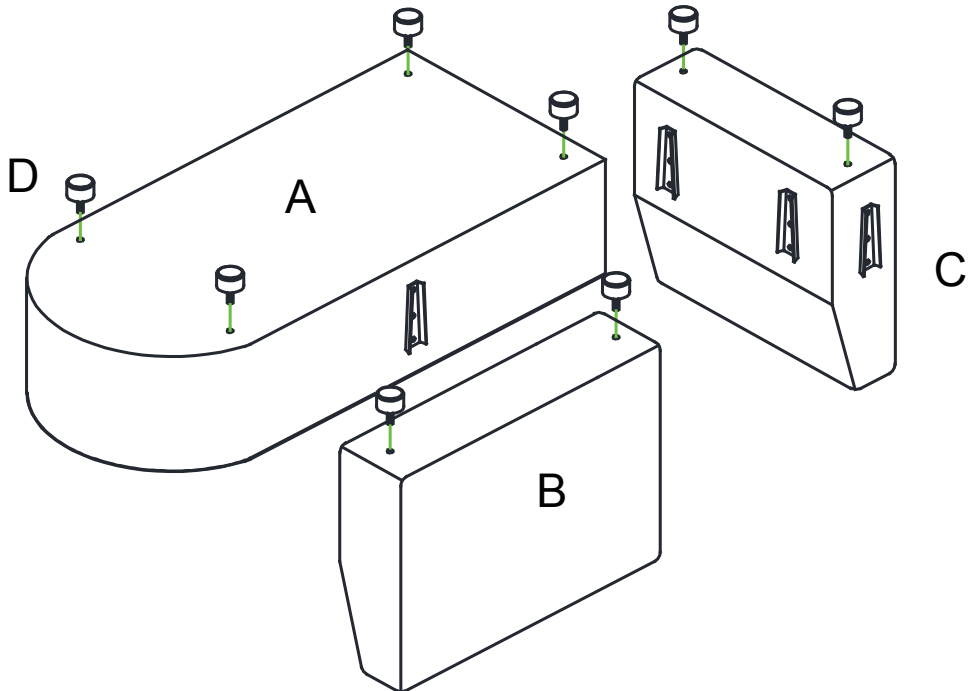


Pillow x1pc

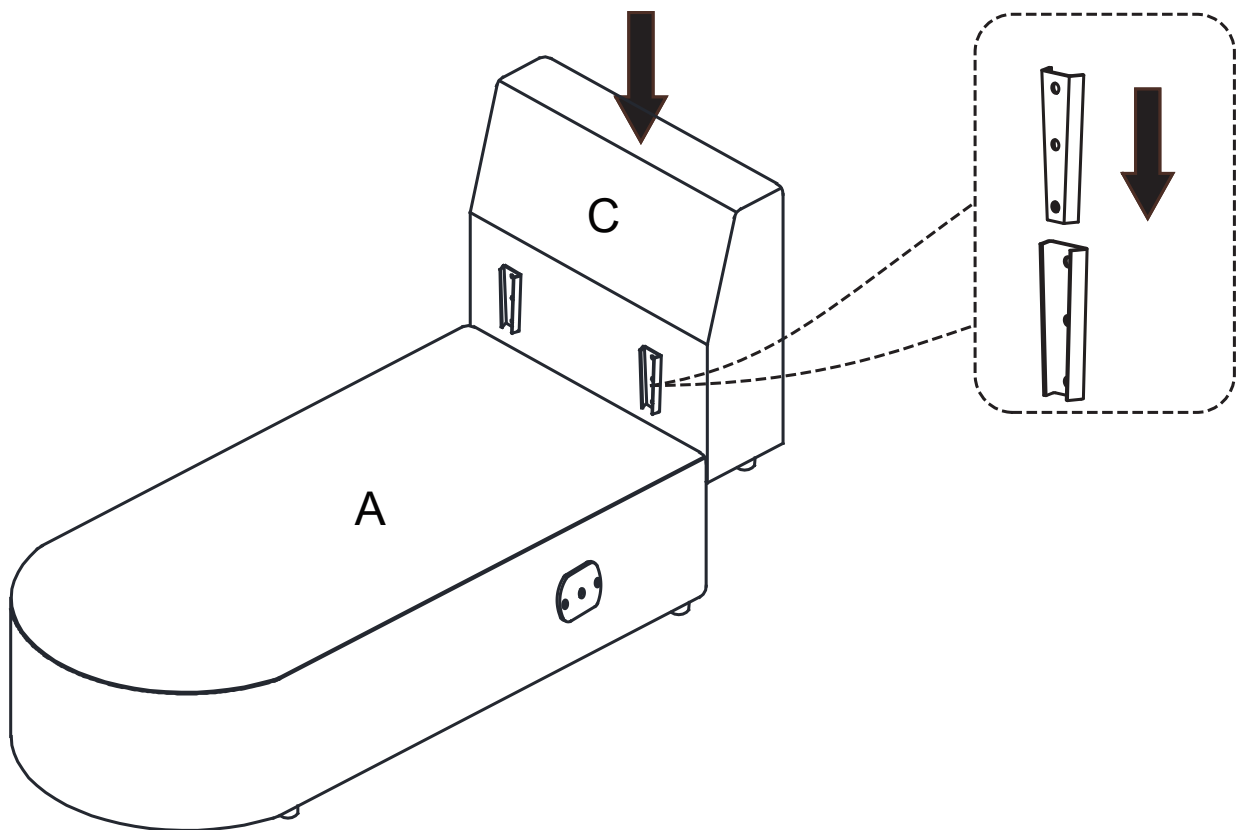
1



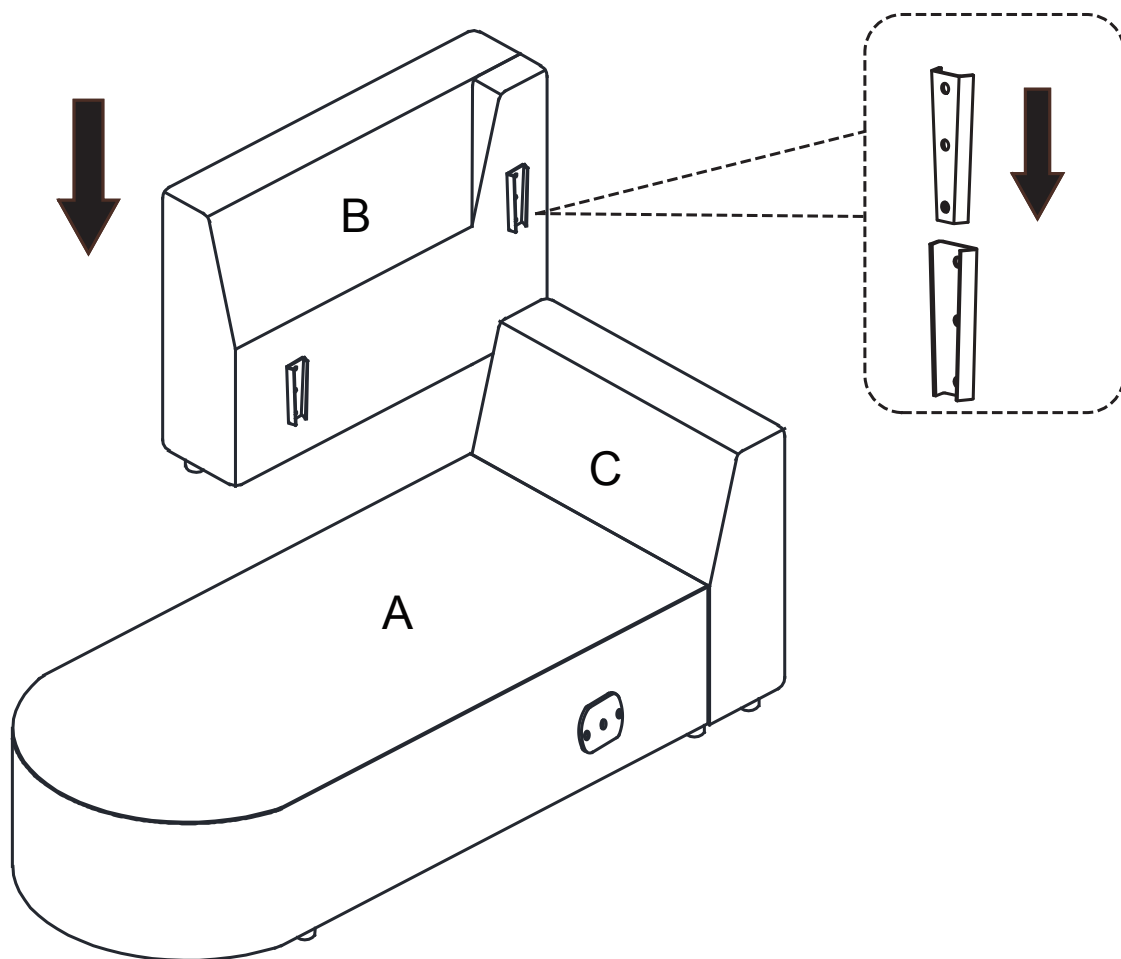
2



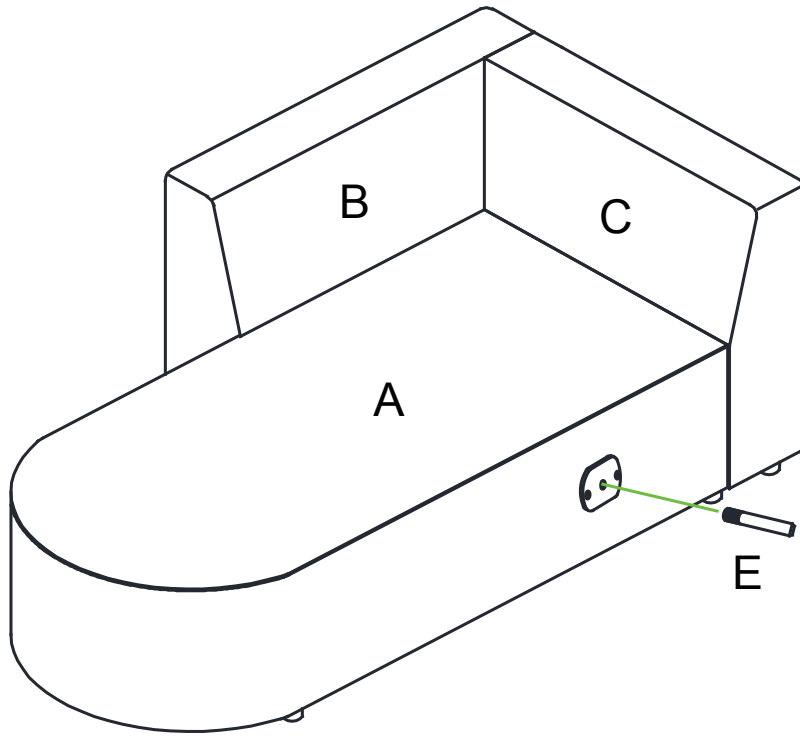
3



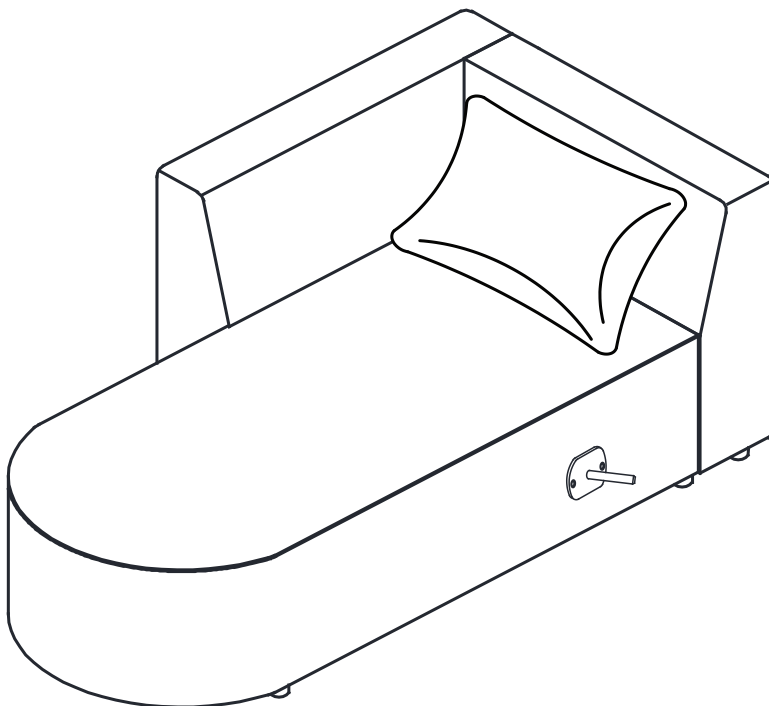
4



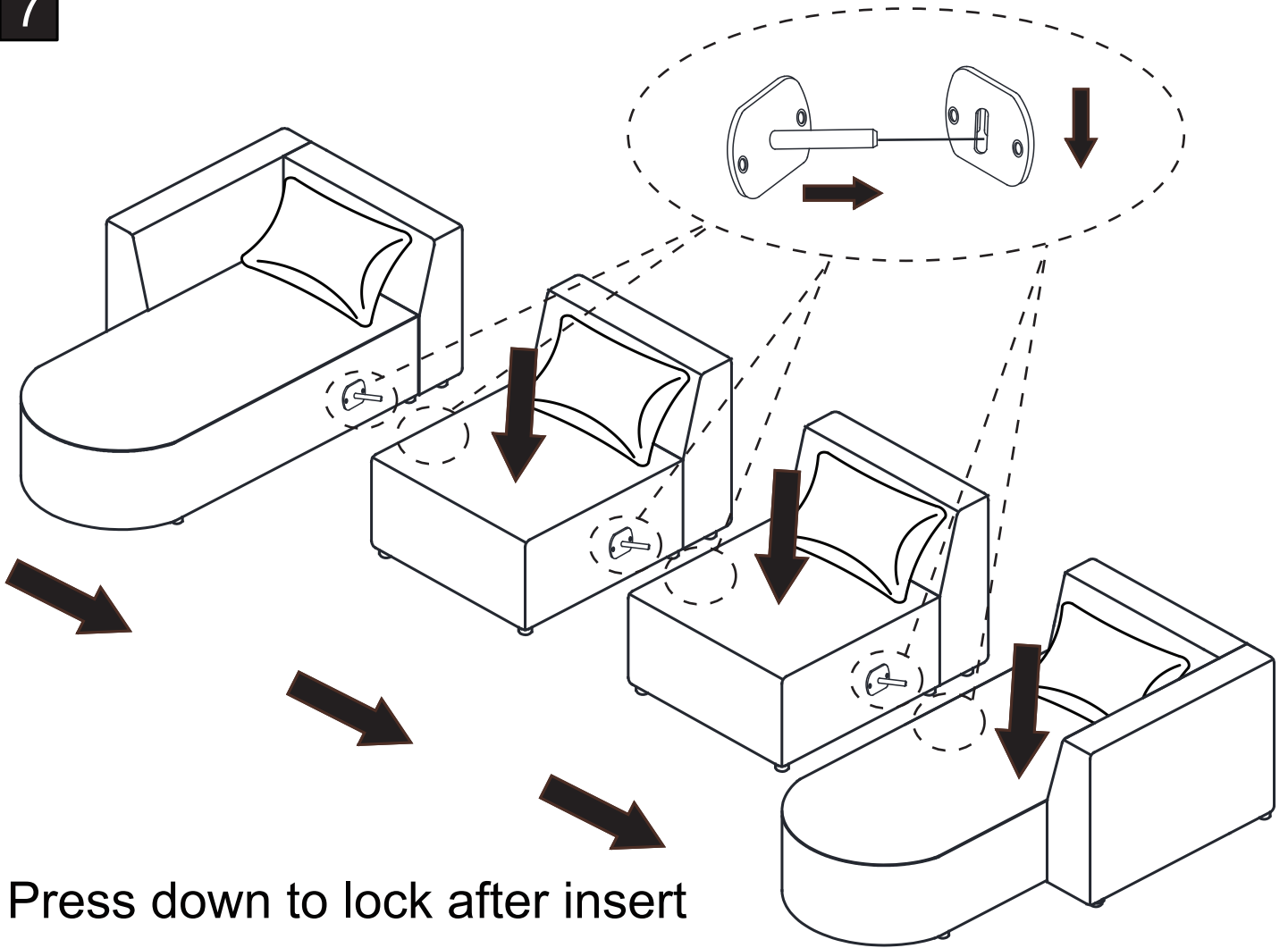
5



6



7



Press down to lock after insert

