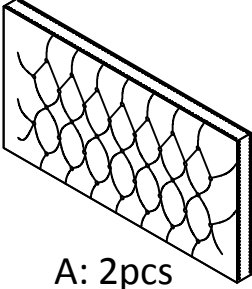
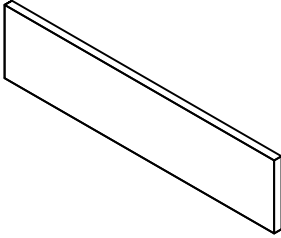
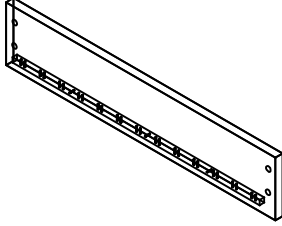
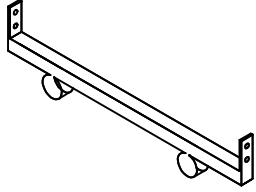
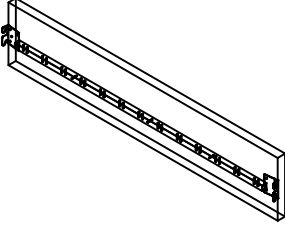
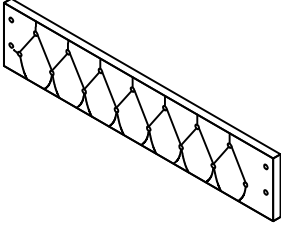
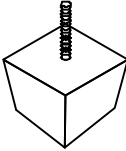
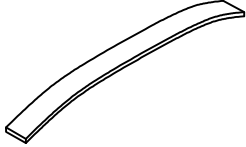
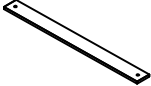
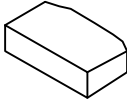
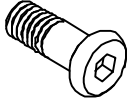
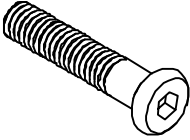
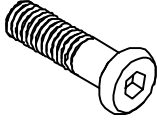


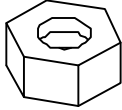


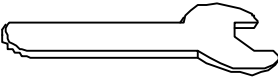


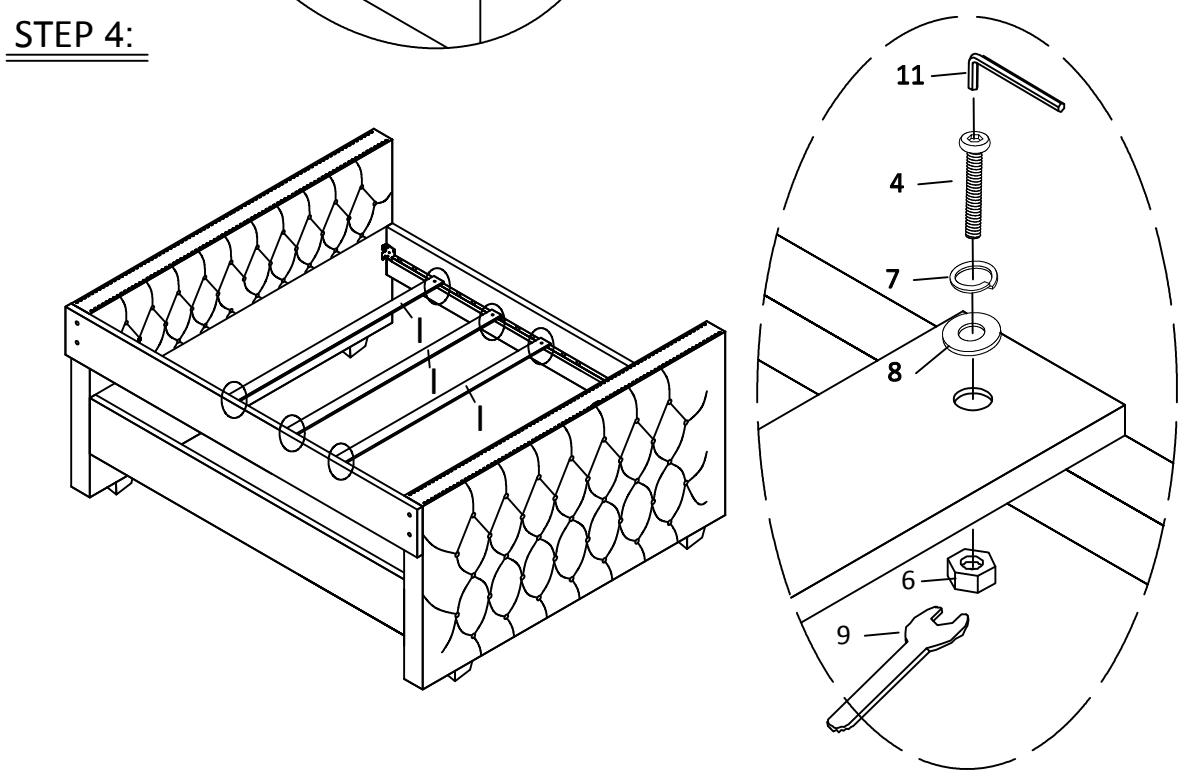
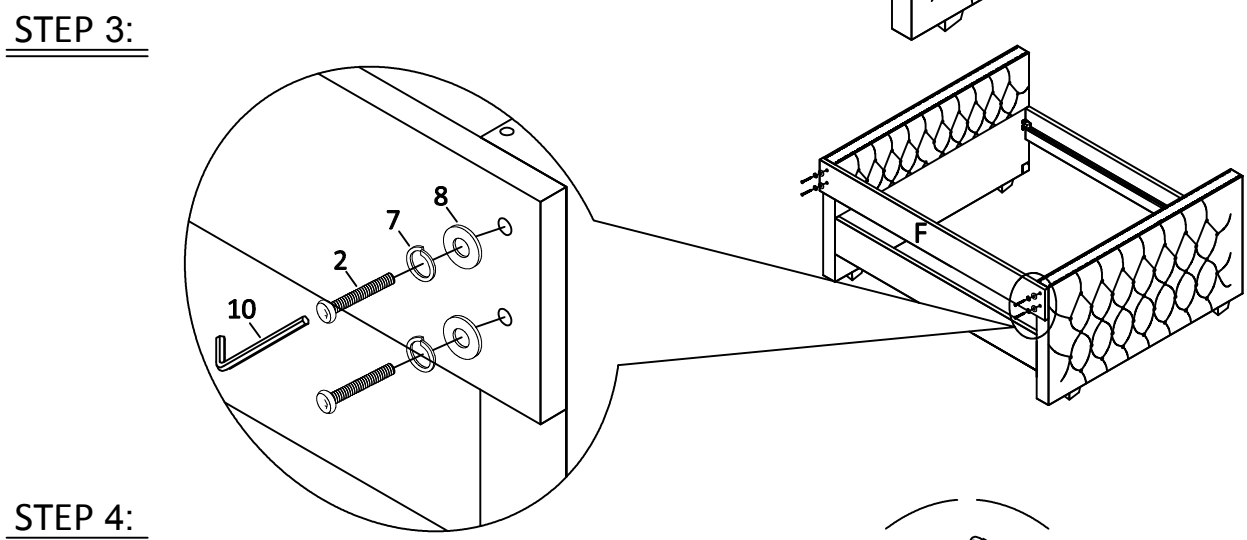
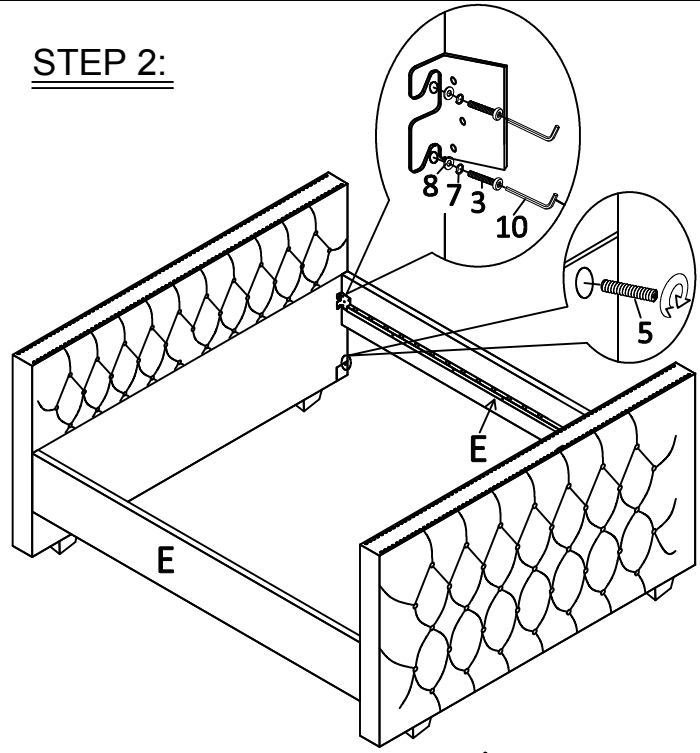
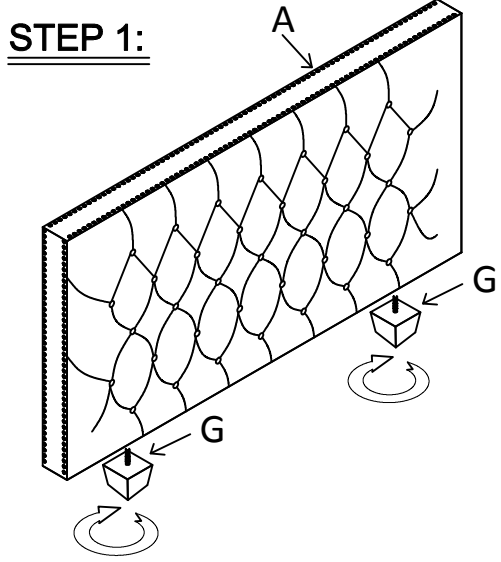


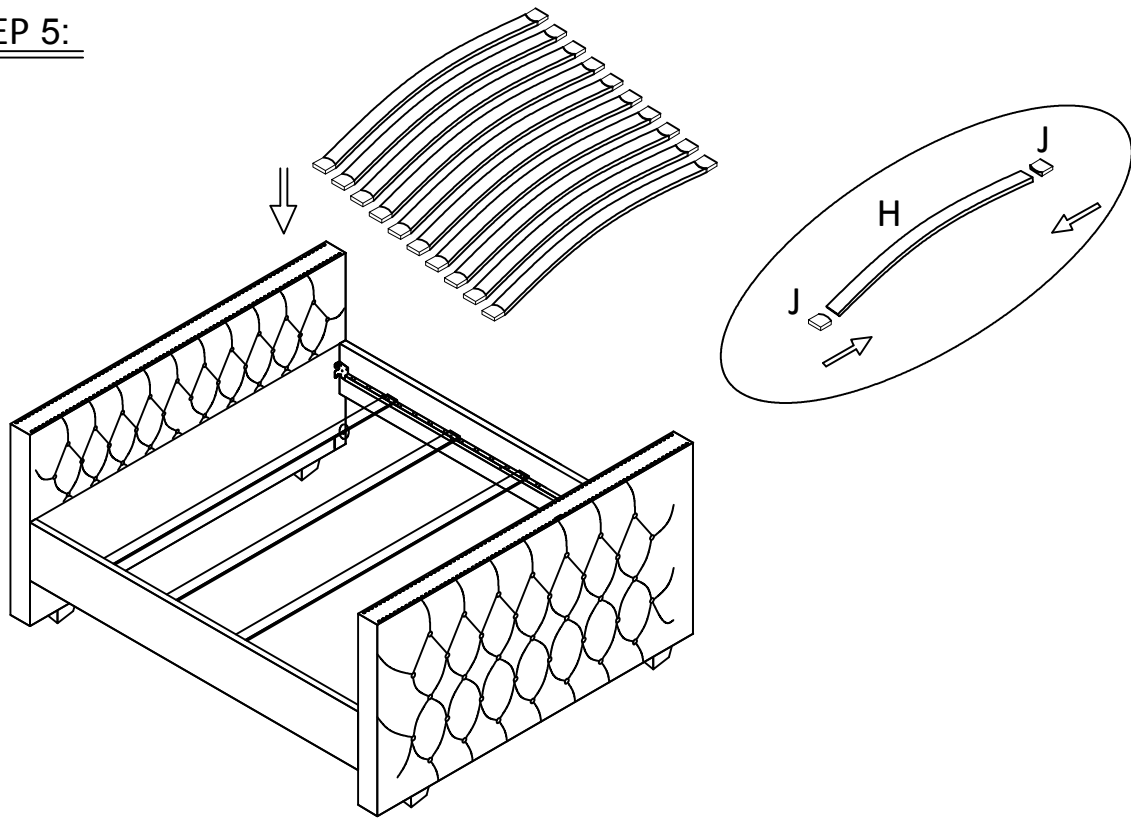
ASSEMBLY INSTRUCTION

 <p>A: 2pcs</p>	 <p>B: 1pc</p>	 <p>C: 1pc</p>	 <p>D: 2pcs</p>
 <p>E: 2pcs</p>	 <p>F: 1pc</p>	 <p>G: 4pcs</p>	 <p>H: 20pcs</p>
 <p>I: 6pcs</p>	 <p>J: 40pcs</p>		

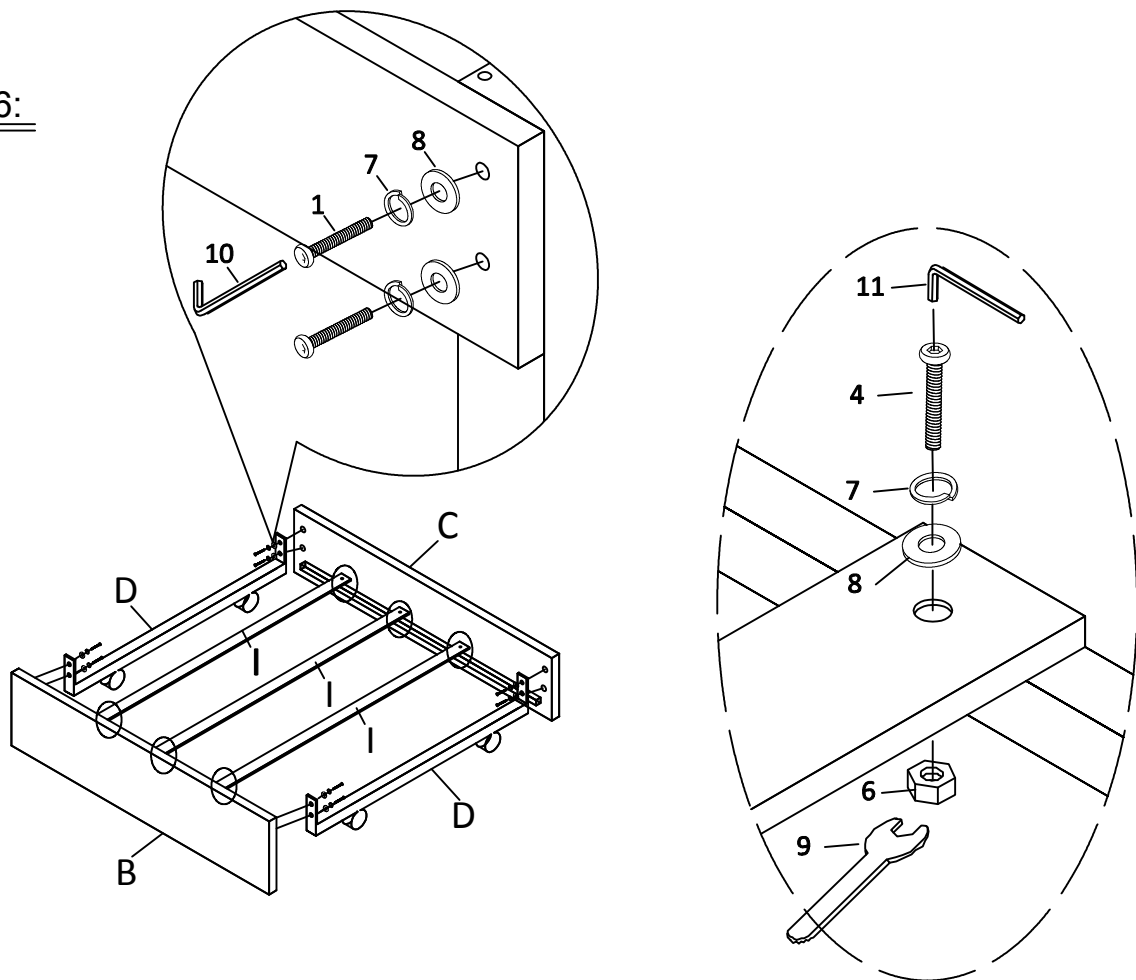
 <p>M8*20mm 1: 8pcs</p>	 <p>M8*60MM 2: 4pcs</p>	 <p>M8*35 3: 8pcs</p>	 <p>M6*50mm 4: 12pcs</p>
 <p>M8*50mm 5: 2pcs</p>	 <p>M6*50mm 6: 12pcs</p>	 <p>7: 32pc</p>	 <p>8: 32pc</p>
 <p>9: 1pc</p>	 <p>M8 10: 1pc</p>	 <p>M6 11: 1pc</p>	



STEP 5:



STEP 6:



STEP 7:

