

Before Starting

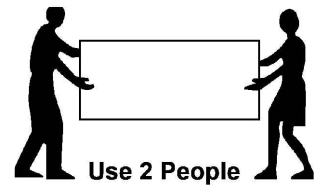
Please read the page carefully to identify the hardware and components included in the box. You can find the complete list on this page. During unpacking, please find a carpeted or padded area to place the unpacked hardware and components to prevent damage. Please follow the assembly instructions step by step as improper assembly may cause personal or property damage.

Cleaning and Care

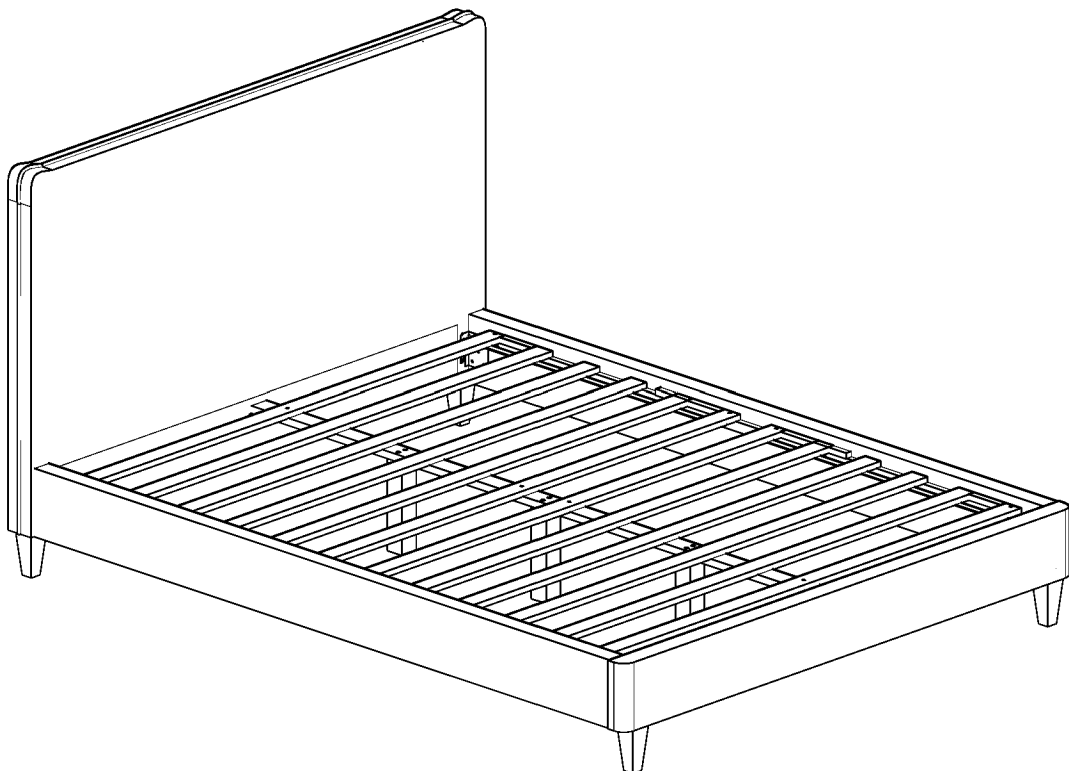
- Please clean surfaces with a dry soft cloth. Make sure the surface is dry before assembly. If necessary, spot clean with a damp cloth or sponge; gently remove excess water; air dry. If there are spills, remove spills immediately with a clean colorfast towel or sponge.
- Please do not use abrasive cleaners as the cleaners may damage the hardware surfaces and the finishes.
- Please keep the fabric out of direct sunlight to prevent fading
- Vacuum crevices for debris.



Note : Do not assemble using power tools. This can cause the bolts to be overtightened.

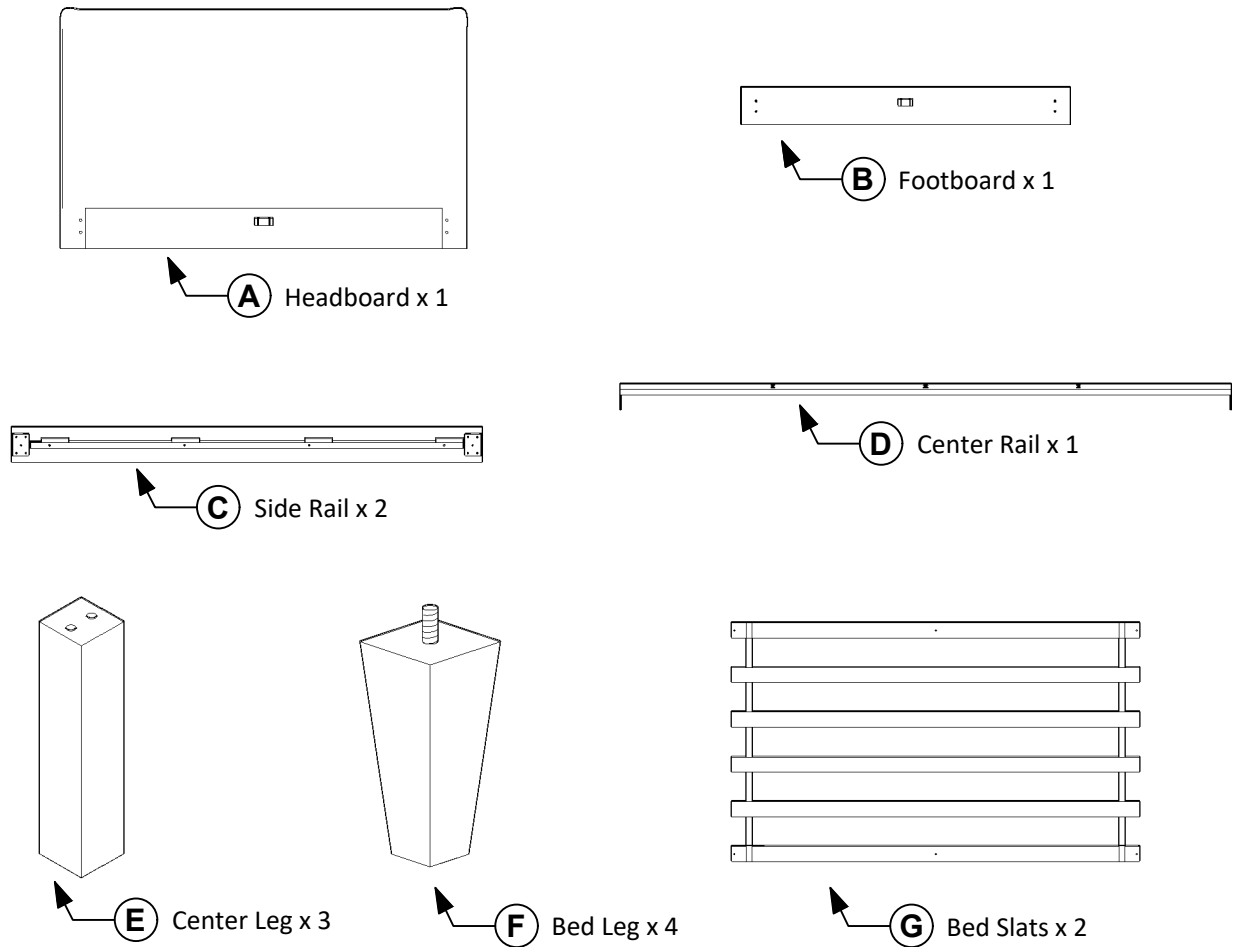


1 Assembled View



2 Parts List

Box A :



3 Hardware List



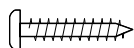
① M4 Allen Key x 1



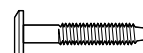
② M5 Allen Key x 1



③ Wood Screw (M4 x 20mm) x 2



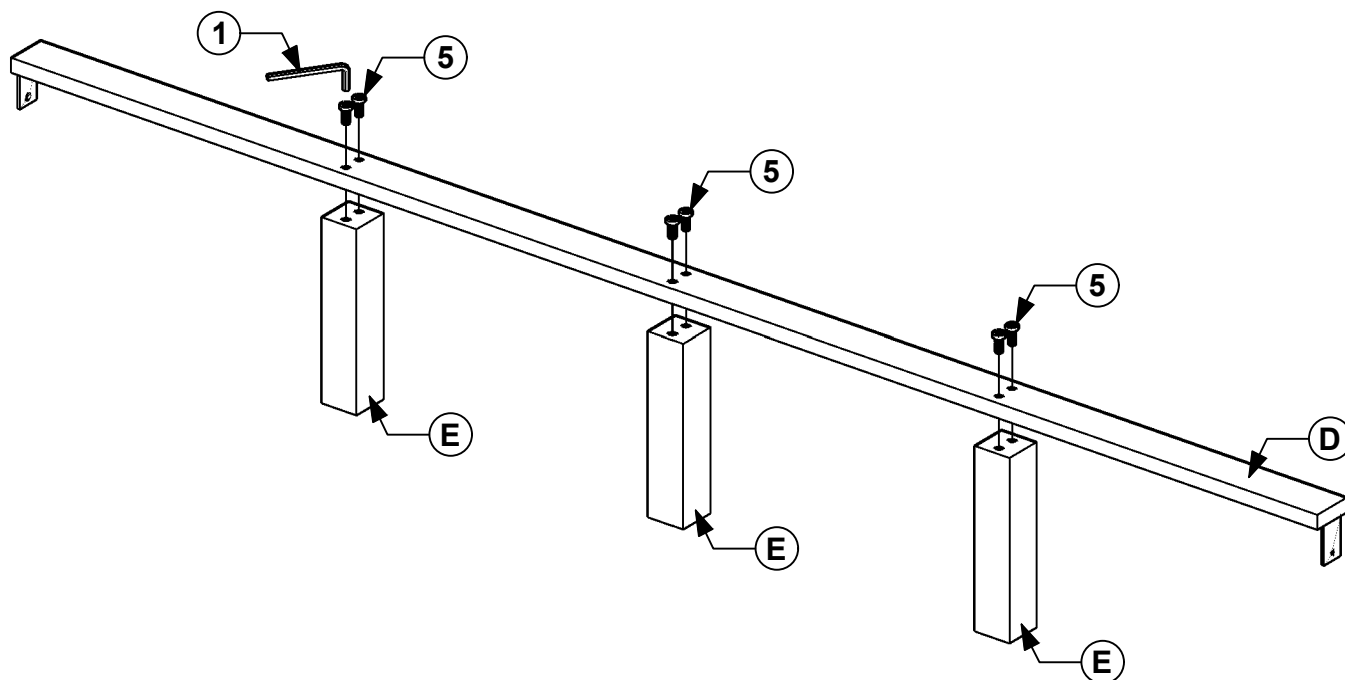
④ Wood Screw (M4 x 25mm) x 12



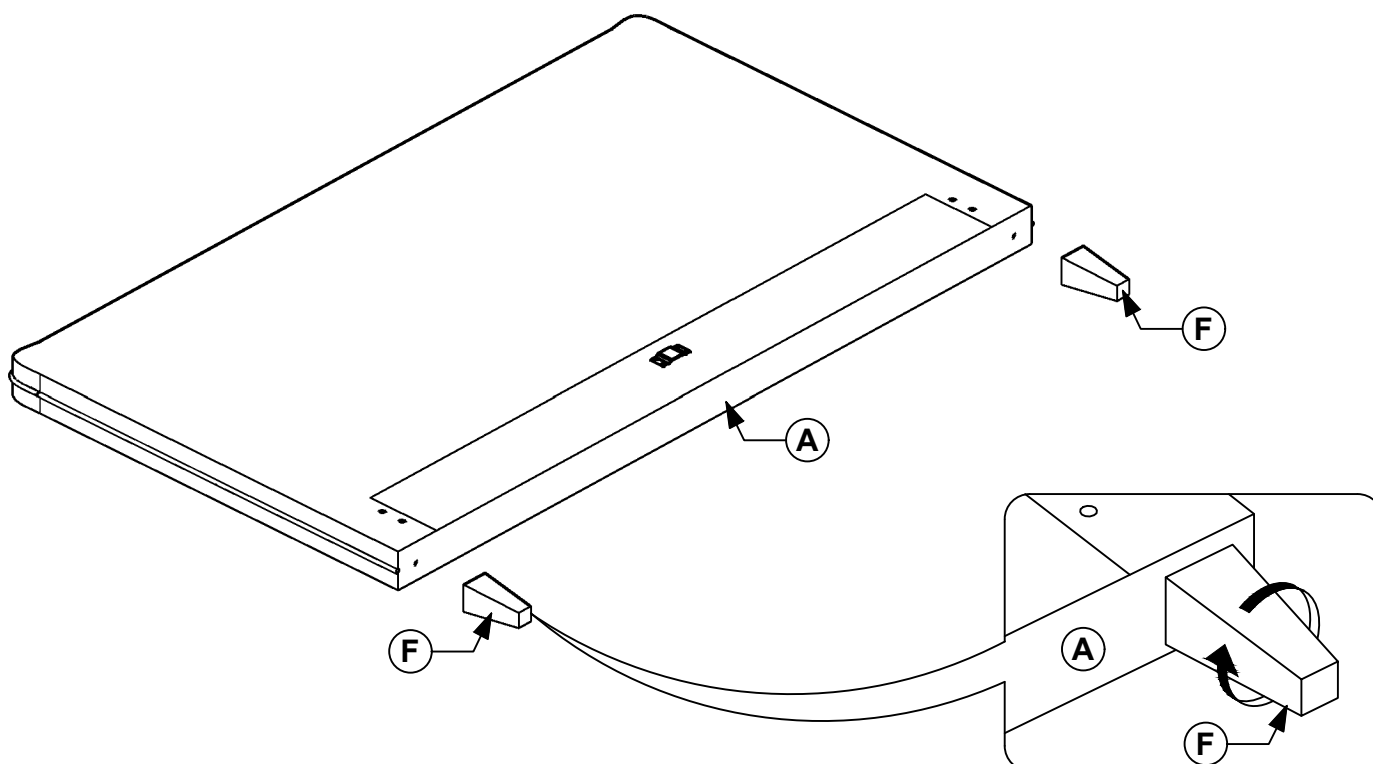
⑤ M6 x 40mm JCB x 6

SP 3, 4, 5 x1

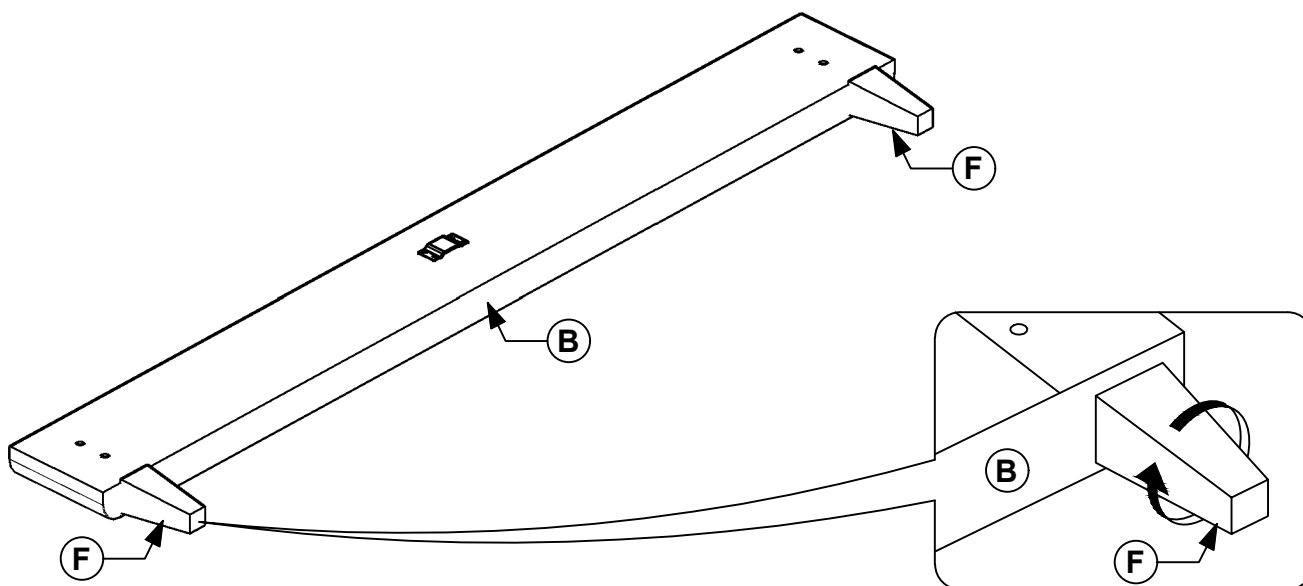
4 Assemble the Center Leg (E) to the Center Rail (D).



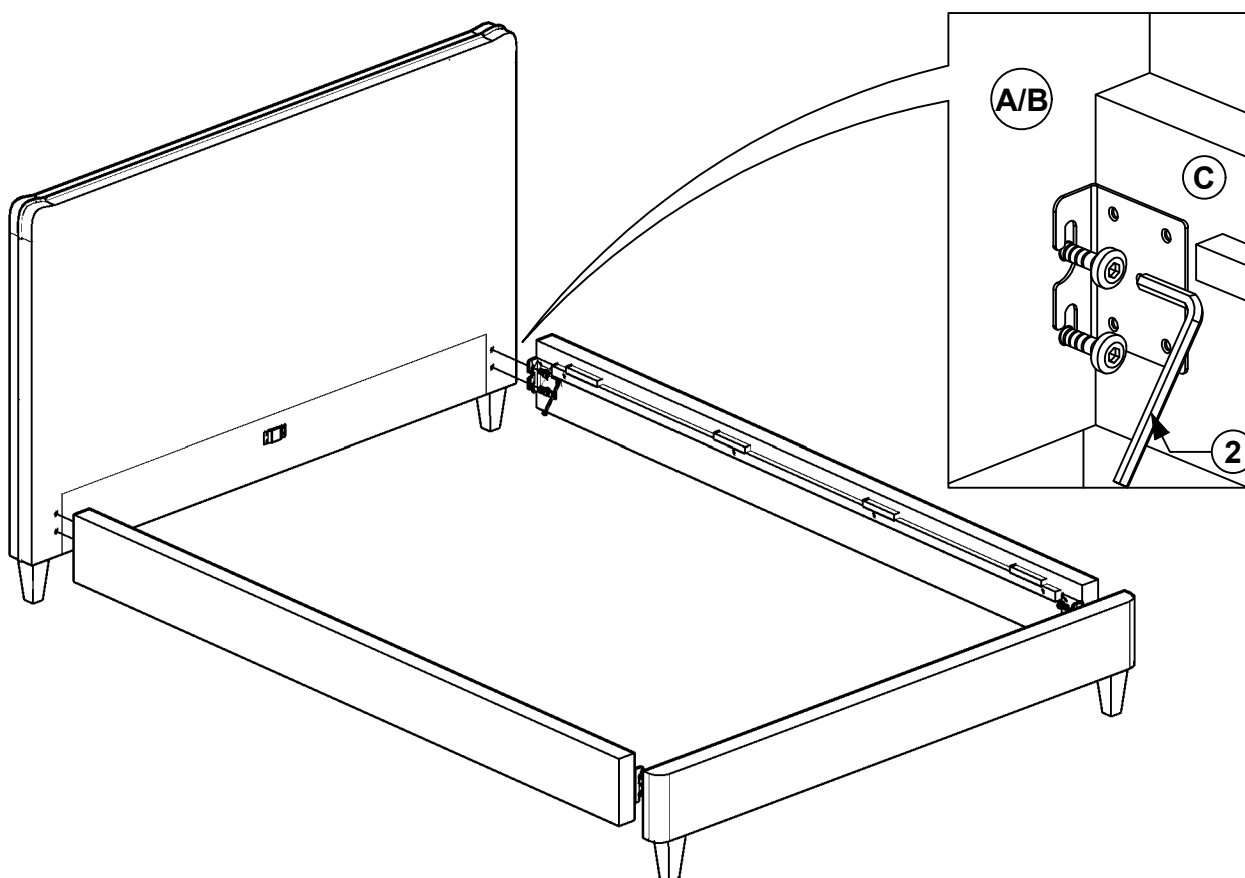
5 Attached the Bed Leg (F) to the Headboard (A).



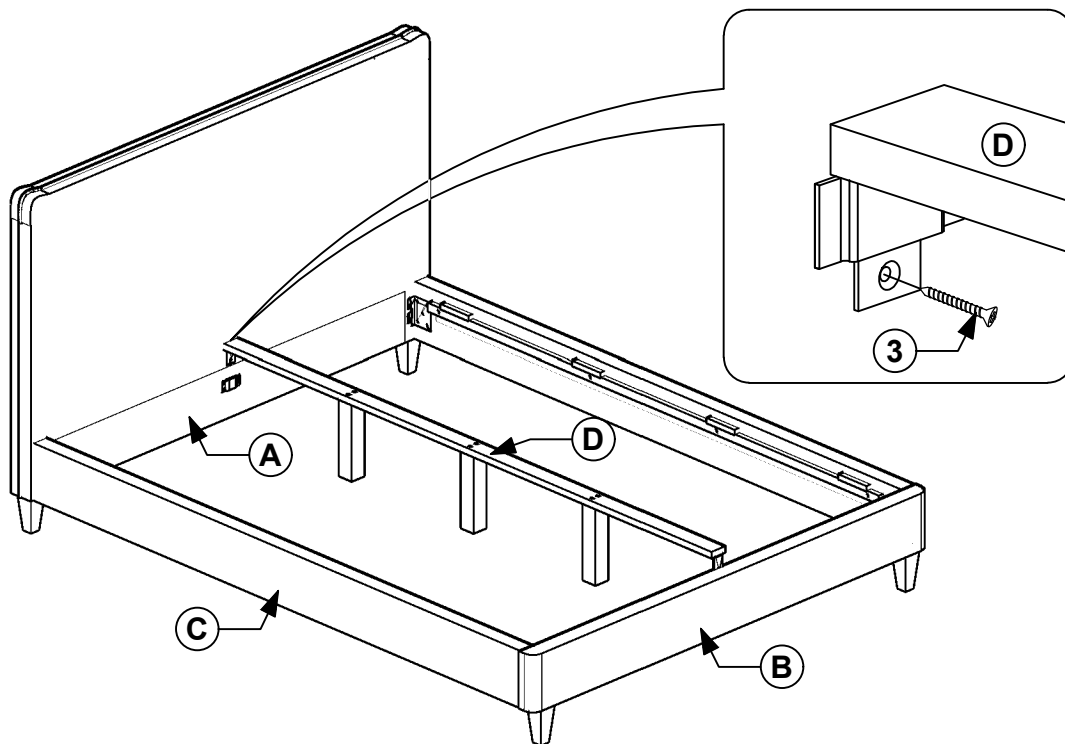
6 Attach the Bed Leg (F) to the Footboard (B).



7 Assemble the Side Rail (C) to the Headboard (A) & Footboard (B).



8 Attach and Screw the Center Rail (D) to the Headboard (A) & Footboard (B).



9 Screw the Bed Slats (G) to Side Rail (C).

