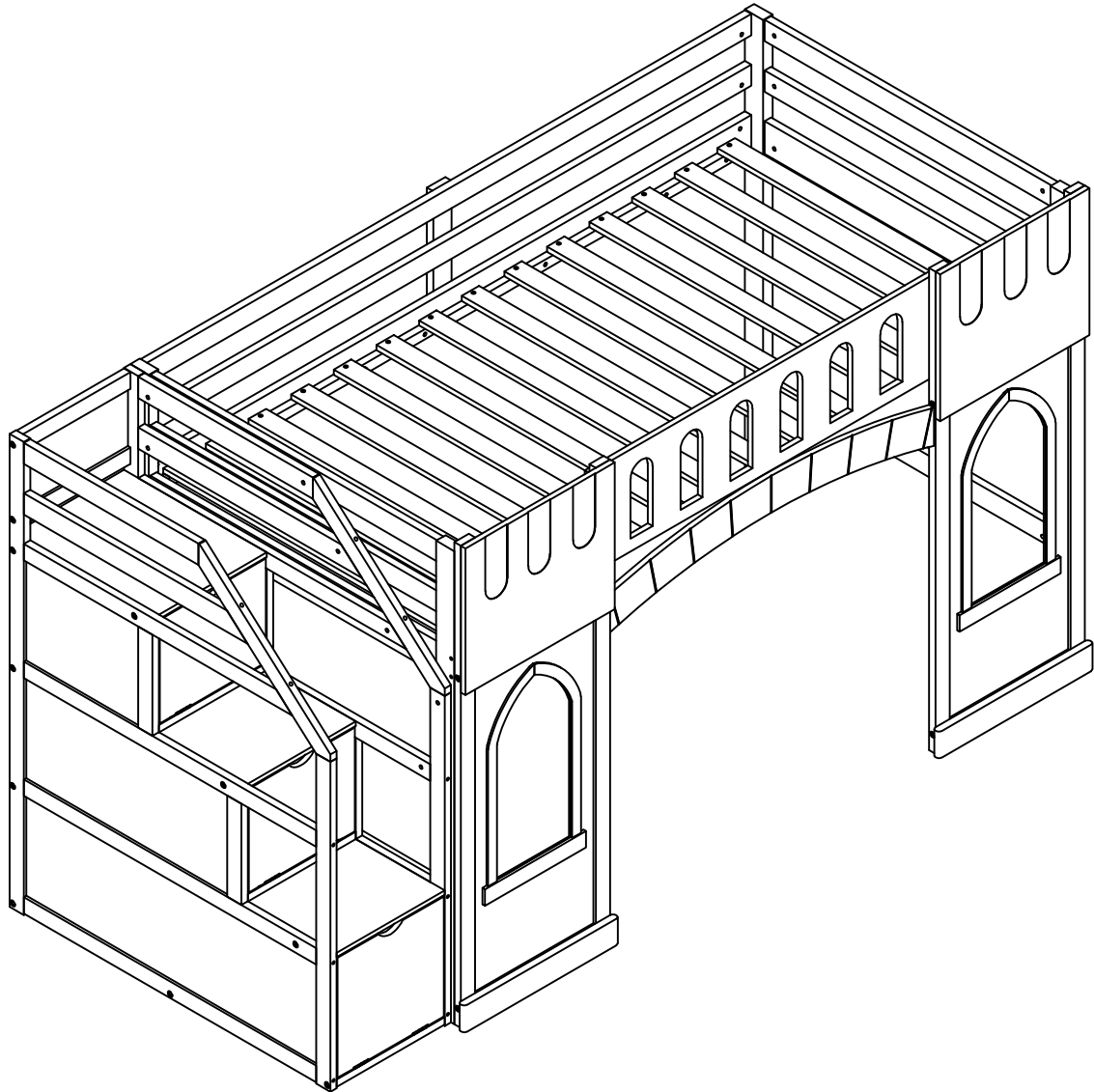


ASSEMBLY INSTRUCTIONS

TWIN SIZE LOFT BED WITH STAIRCASE



WF531250/WF531251

ASSEMBLY INSTRUCTIONS



SAFETY WARNINGS



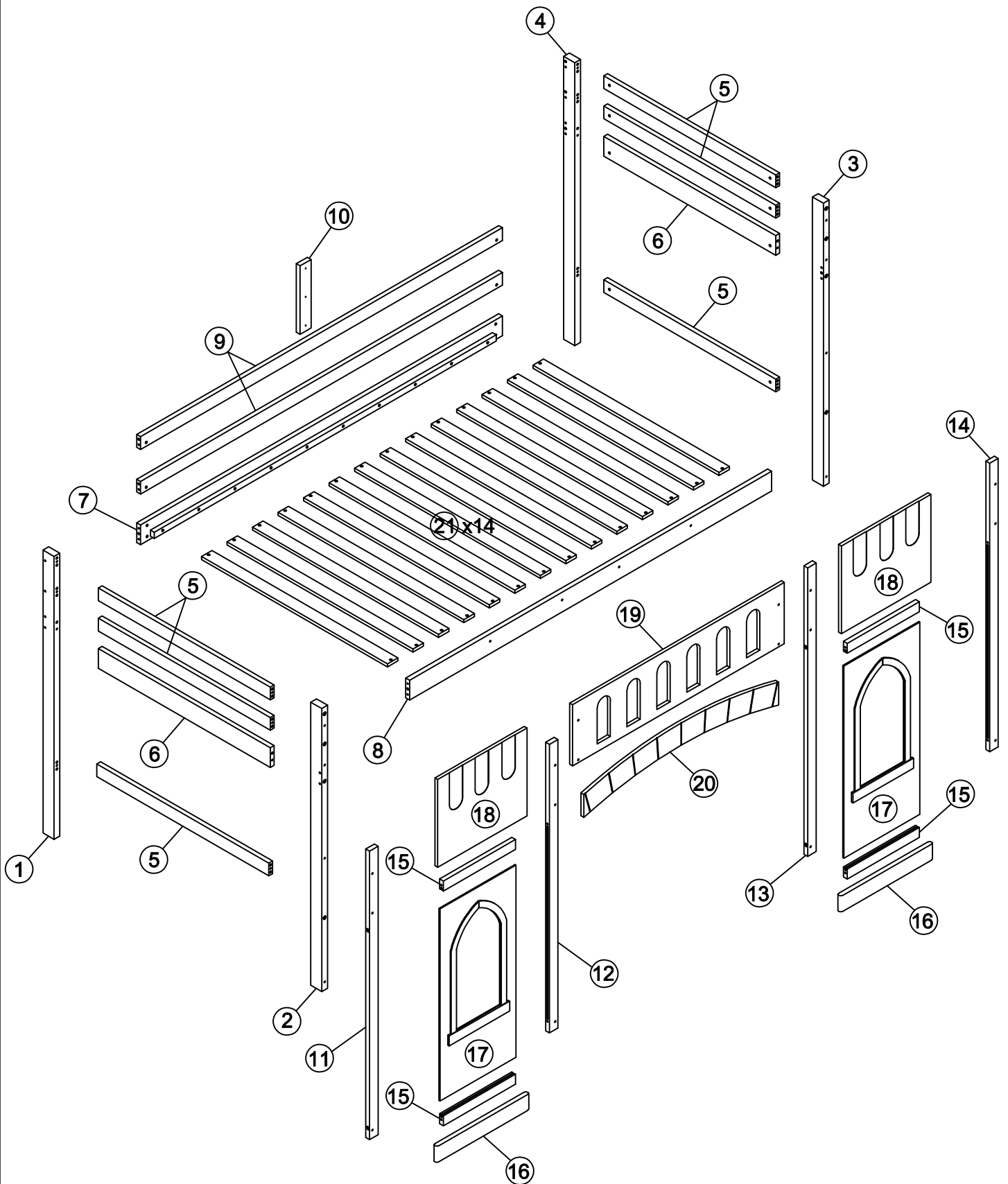
1. This bed is designed for use only mattress (es) meeting the following specifications on the upper bunk:

Upper bunk (bunk bed and tribed included)

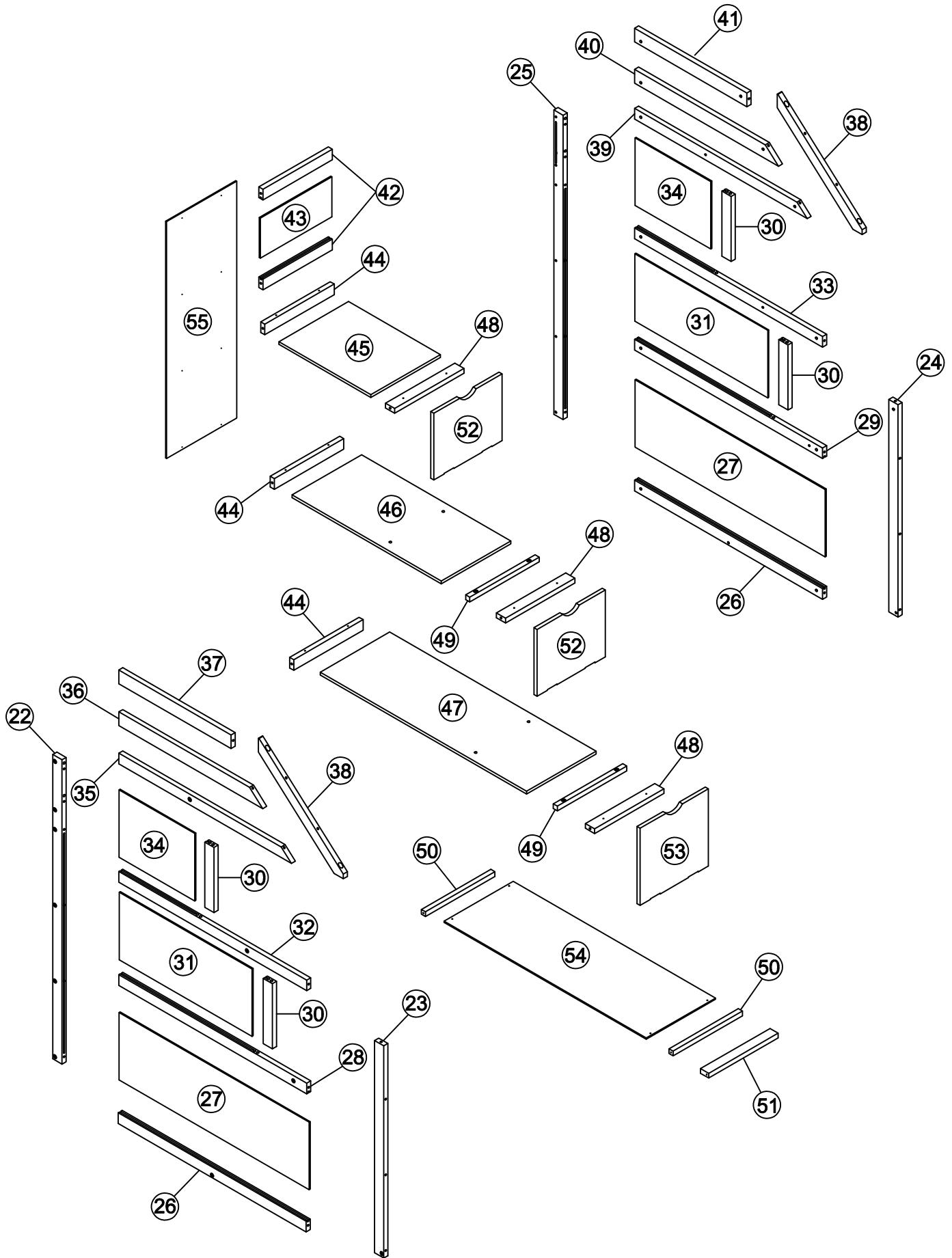
Bed Type	Length	Width	Thickness
Twin Standard	74" - 75"	37 $\frac{1}{2}$ " - 38 $\frac{1}{2}$ "	6" max

2. Replacement parts, including additional guardrails, maybe obtained from any of our (GIGACLOUD TECHNOLOGY (USA) INC. 18961 ARENTH AVENUE CITY OF INDUSTRY, CA, 91748) dealers
3. Follow the information on the warnings appearing on the upper bunk bed end structure and on the carton. Do not remove warning label from bed.
4. Always use the recommended size mattresses or mattress supports, or both, to help prevent the likelihood of entrapment or falls.
5. Surface of mattress must be at least 5" (127mm) below the upper edge of guardrails.
6. Do not allow children under 6 years of age to use the upper bunk.
7. Periodically check and ensure that the guardrail, ladder, and other components are in their proper position, free from damage, and that all connectors are tight.
8. Do not allow horseplay on or under the bed and prohibit jumping on the bed.
9. Always use the ladder for entering and leaving the upper bunk.
10. Do not use substitute part. Contact the manufacture or dealer for replacement part.
11. Use of a night light may provide added safety precaution for a child using the upper bunk.
12. Always use guardrails on both long sides of the upper bunk. If the bunk bed will be placed next to the wall, the guardrail that runs the full length of the bed should be placed against the wall to prevent entrapment between the bed and wall.
13. The use of water or sleep flotation mattresses is prohibited.
14. **STRANGULATION HAZARD** - Never attach or hang items to any part of the bunk bed that are not designed for use with the bed; for example, but not limited to, hook, belts and jump ropes.
15. Keep these instruction for future reference.
16. Prohibit more than one person on upper bunk
17. We recommend assembling your bunk bed on the shipping carton to protect your floor or carpet.
18. Be certain all staples are out of the box before beginning assembly on the shipping carton.

ASSEMBLY INSTRUCTIONS

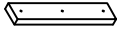
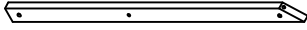
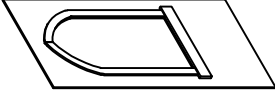
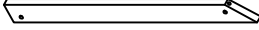
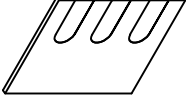
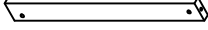

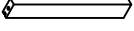
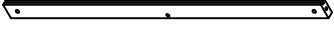


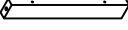


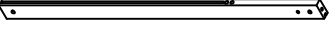

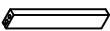


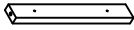
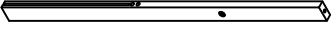


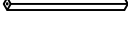
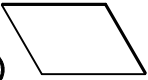

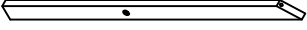

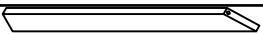
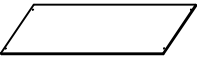
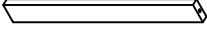
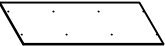
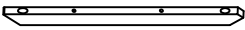


ASSEMBLY INSTRUCTIONS




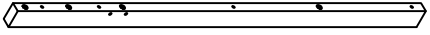

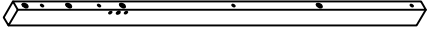

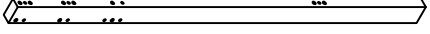
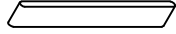

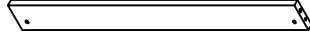
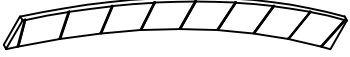
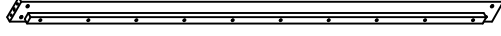

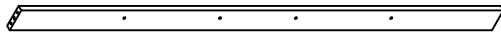
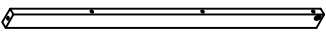
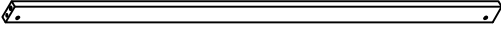
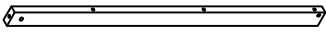

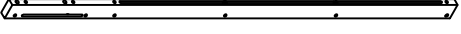

ASSEMBLY INSTRUCTIONS

WF531250

10	Support guard rails 	1pc	39	Cross bar fame (storage box) 	1pc
17	Bed frame 	2pcs	40	Cross bar fame (storage box) 	1pc
18	Bed frame 	2pcs	41	Cross bar fame (storage box) 	1pc
21	Slats 	14pcs	42	Back frames (storage box) 	2pcs
26	Cross bar frames (storage box) 	2pcs	43	Back frames (storage box) 	1pc
27	Side panels (storage box) 	2pcs	44	Storage box frame support 	3pcs
28	Cross bar frames (storage box) 	1pc	45	Planks on storage box 	1pc
29	Cross bar frames (storage box) 	1pc	46	Planks on storage box 	1pc
30	Side panels (storage box) 	4pcs	47	Planks on storage box 	1pc
31	Side panels (storage box) 	2pcs	48	Support storage box frame 	3pcs
32	Cross bar frames (storage box) 	1pc	49	Frames support (storage box) 	2pcs
33	Cross bar frames (storage box) 	1pc	50	Frames support (storage box) 	2pcs
34	Side panels (storage box) 	2pcs	52	Front panels (storage box) 	2pcs
35	Cross bar fame (storage box) 	1pc	53	Front panels (storage box) 	1pc
36	Cross bar fame (storage box) 	1pc	54	Planks on storage box 	1pc
37	Cross bar fame (storage box) 	1pc	55	Back panels (storage box) 	1pc
38	Cross bar fame (storage box) 	2pcs			











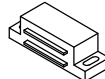


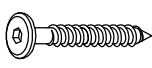



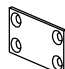

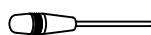

ASSEMBLY INSTRUCTIONS

WF531251 (Hardware in this SKU)

1	 Leg	1pc	13	 Leg (castle)	1pc
2	 Leg	1pc	14	 Leg (castle)	1pc
3	 Leg	1pc	15	 Back frames (castle)	4pcs
4	 Leg	1pc	16	 Crossbar (castle)	2pcs
5	 Headboard panel	6pcs	19	 Front panels (castle)	1pc
6	 Headboard panel	2pcs	20	 Front panels (castle)	1pc
7	 Side rails	1pc	22	 Back leg (storage box)	1pc
8	 Side rails	1pc	23	 Front leg (storage box)	1pc
9	 Back guard rails	2pcs	24	 Front leg (storage box)	1pc
11	 Leg (castle)	1pc	25	 Back leg (storage box)	1pc
12	 Leg (castle)	1pc	51	 Side panels (storage box)	1pc

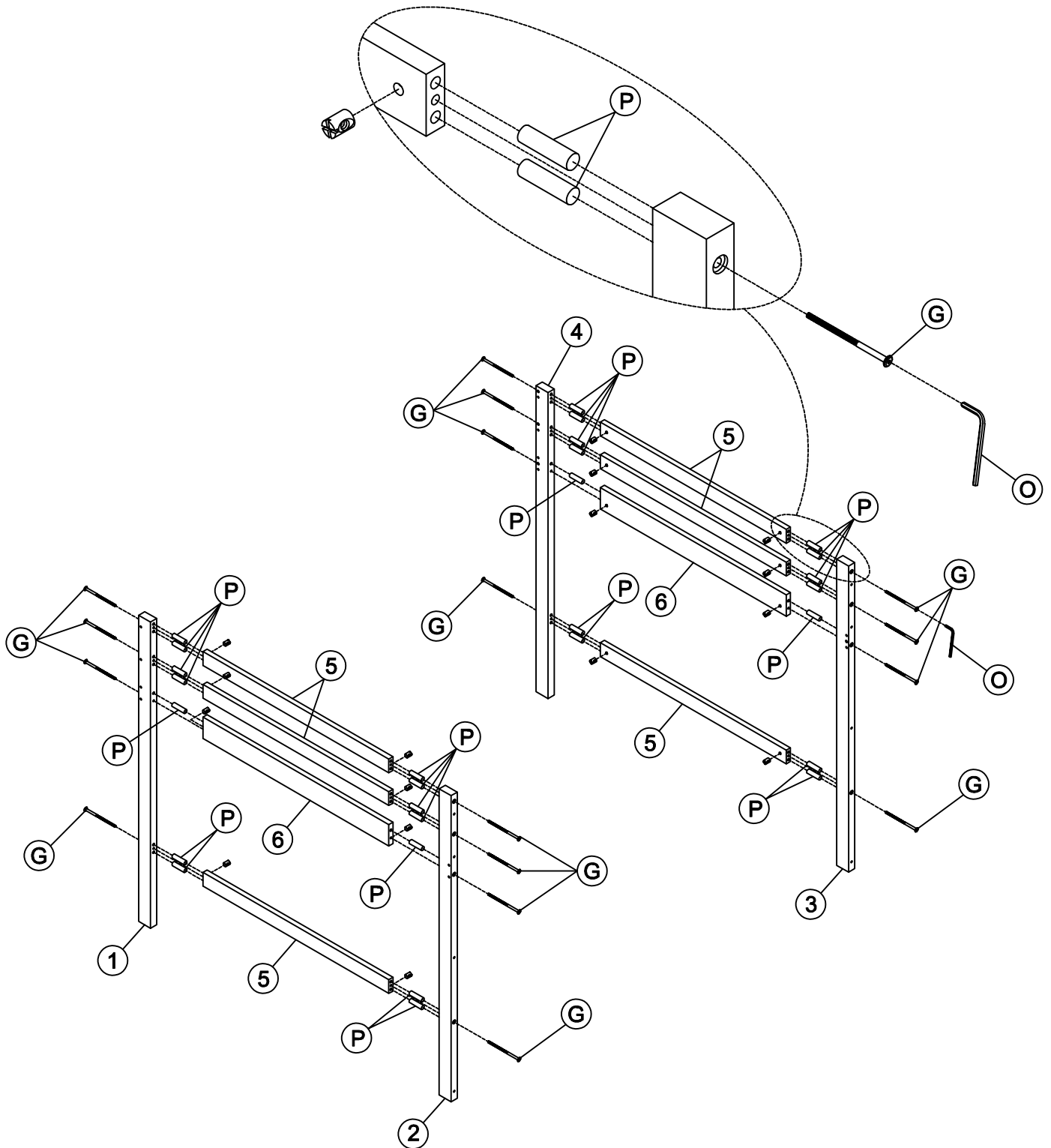
ASSEMBLY INSTRUCTIONS




WF531251 (Hardware in this SKU)

A	Ø4x30		31PCS		L	1/4x65		2PCS
B	Ø4x15		32PCS	M	1/4x45		4PCS	
C	Ø3.5x12		18PCS	N	1/4x30		6PCS	
D	Ø4x38		6PCS	O	4x58		1PC	
E	Ø4x25		6PCS	P	Ø10x40		56PCS	
F	44x17x14		3PCS	Q	1/4x25		4PCS	
G	1/4x100		16PCS	R	6.5x50		6PCS	
H	1/4x90		26PCS	S	15x15x2		2PCS	
I	1/4x75		18PCS	T	50x28x2		4PCS	
J	1/4x65		18PCS	Phillip head screw Not include				
K	1/4x90		6PCS					

ASSEMBLY INSTRUCTIONS

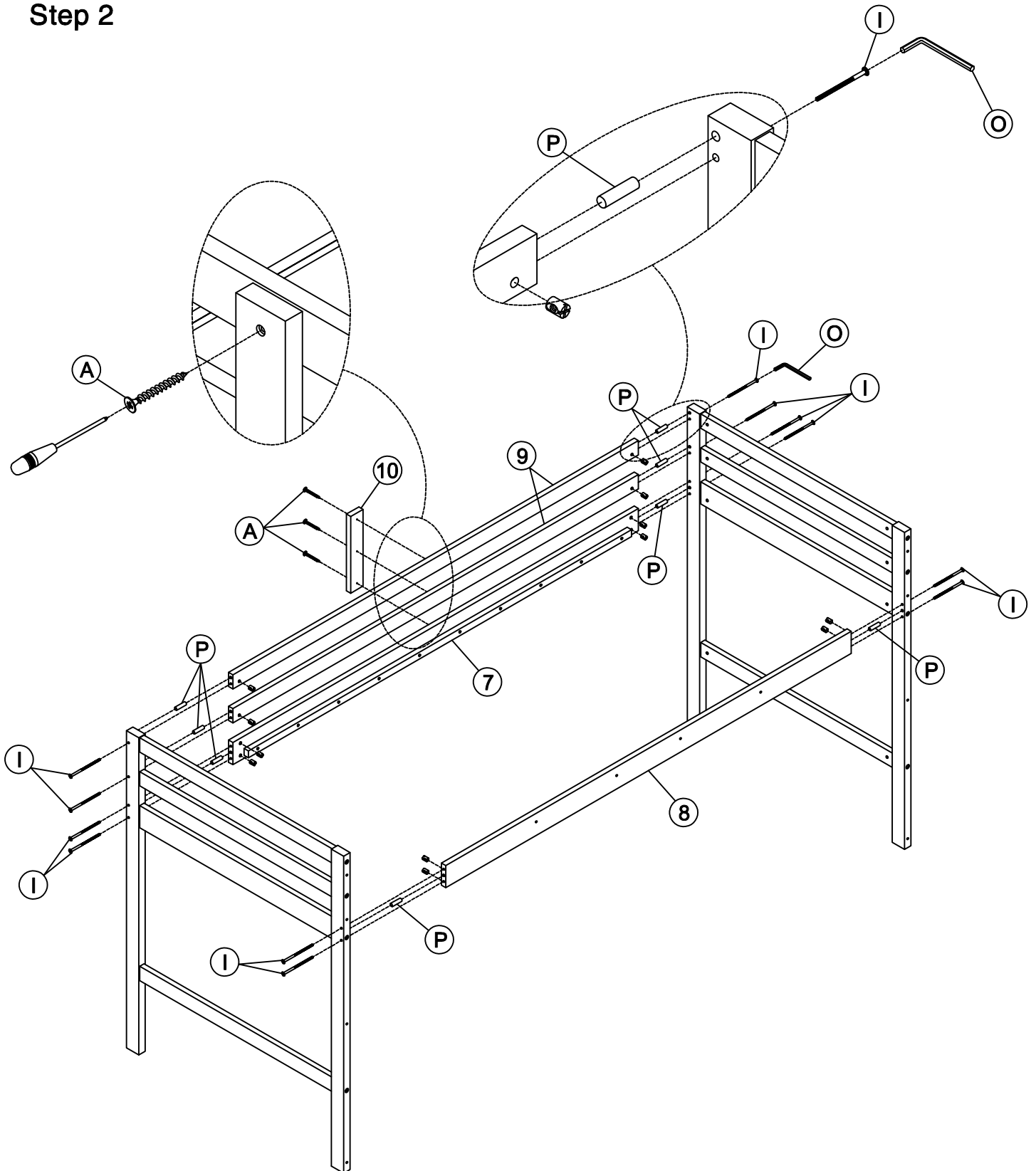
Step 1








O	4x58		1PC				
G	1/4x100		16PCS	P	Ø10x40		28PCS

ASSEMBLY INSTRUCTIONS

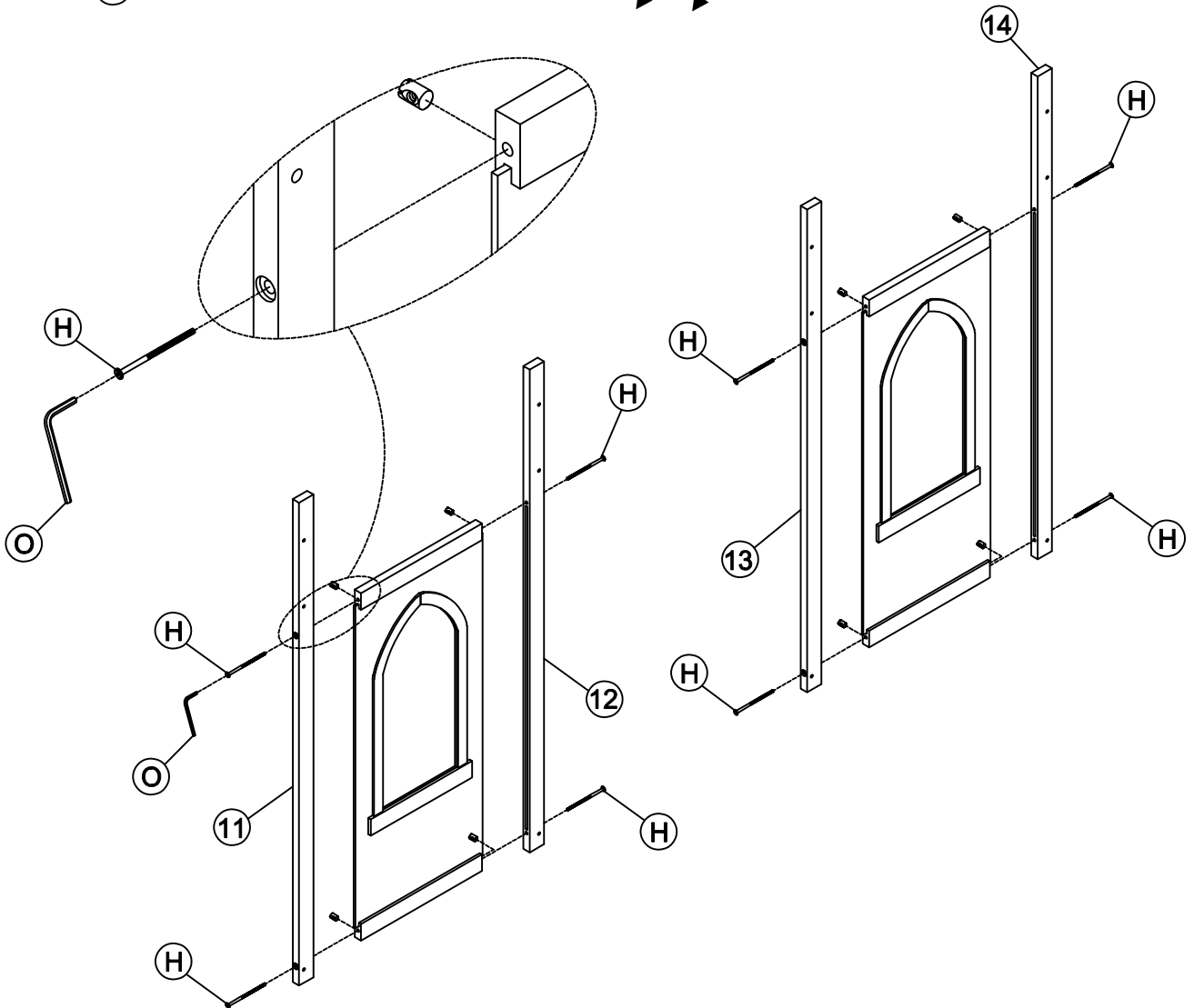
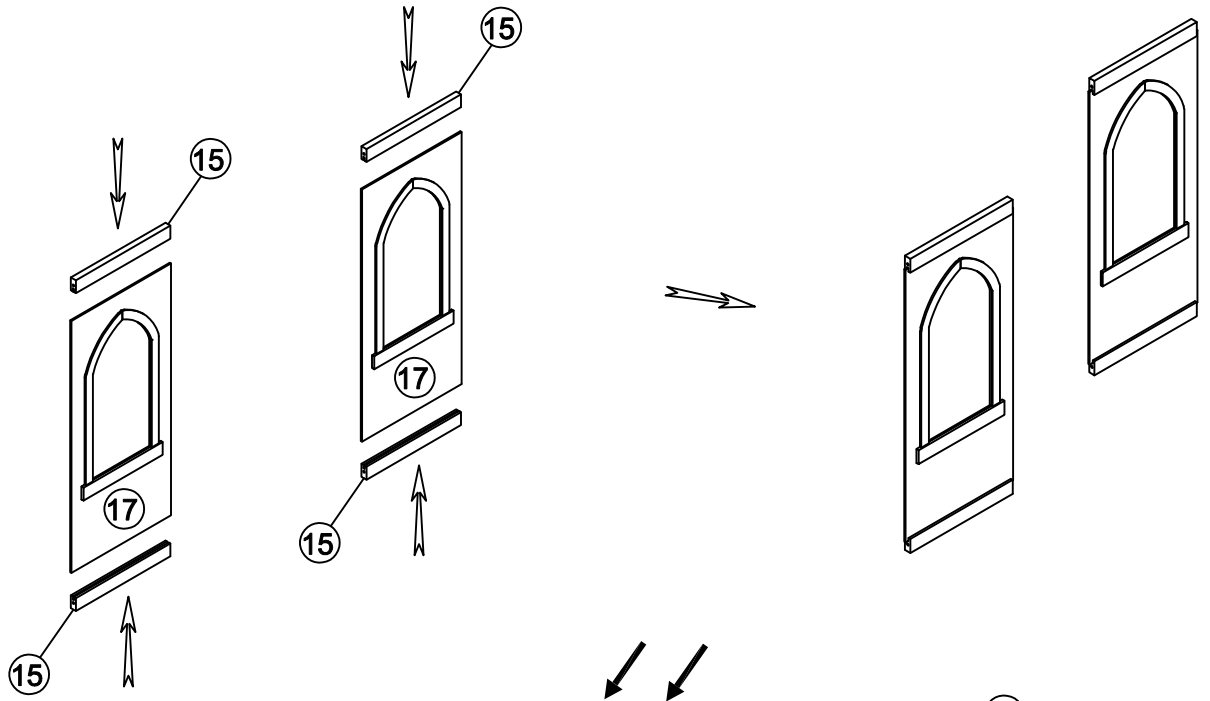
Step 2


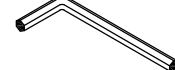


O	4x58		1PC	A	Ø4x30		3PCS
I	1/4x75	 	12PCS	P	Ø10x40		8PCS

ASSEMBLY INSTRUCTIONS

Step 3

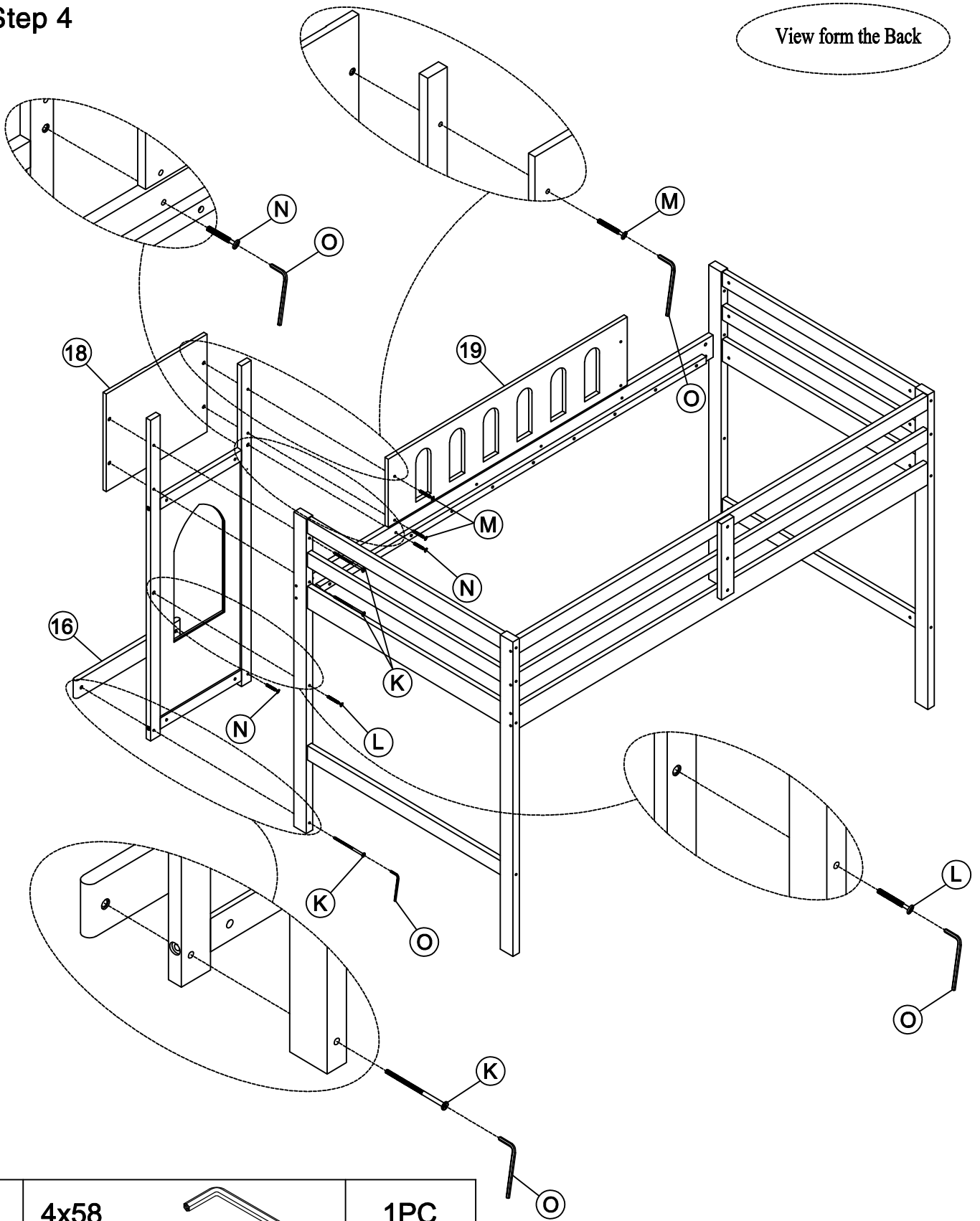







H	1/4x90		8PCS	O	4x58		1PC
----------	--------	---	------	----------	------	---	-----

ASSEMBLY INSTRUCTIONS

Step 4

View from the Back

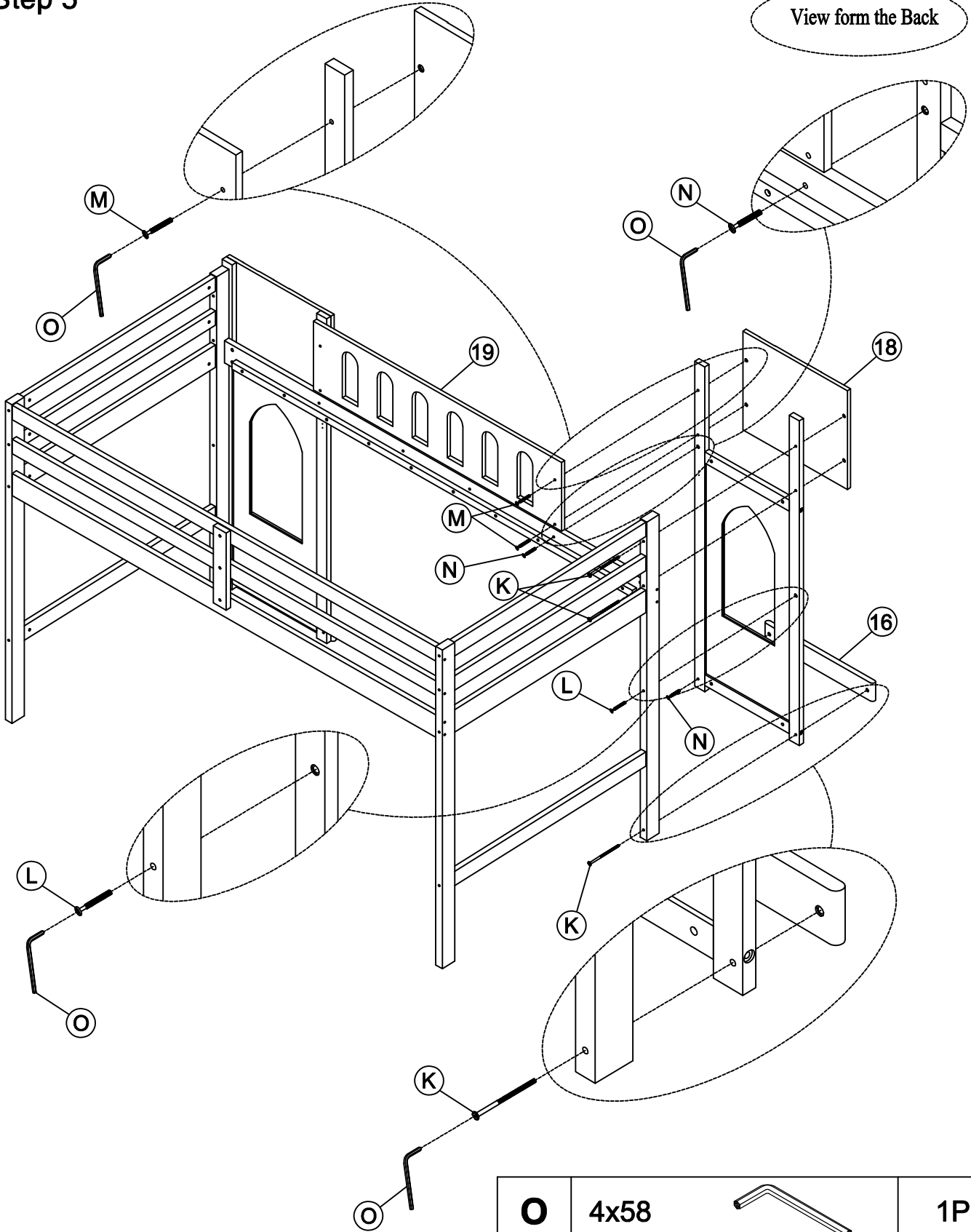







O	4x58		1PC				
K	1/4x90		3PCS	N	1/4x30		2PCS
M	1/4x45		2PCS	L	1/4x65		1PC

ASSEMBLY INSTRUCTIONS

Step 5

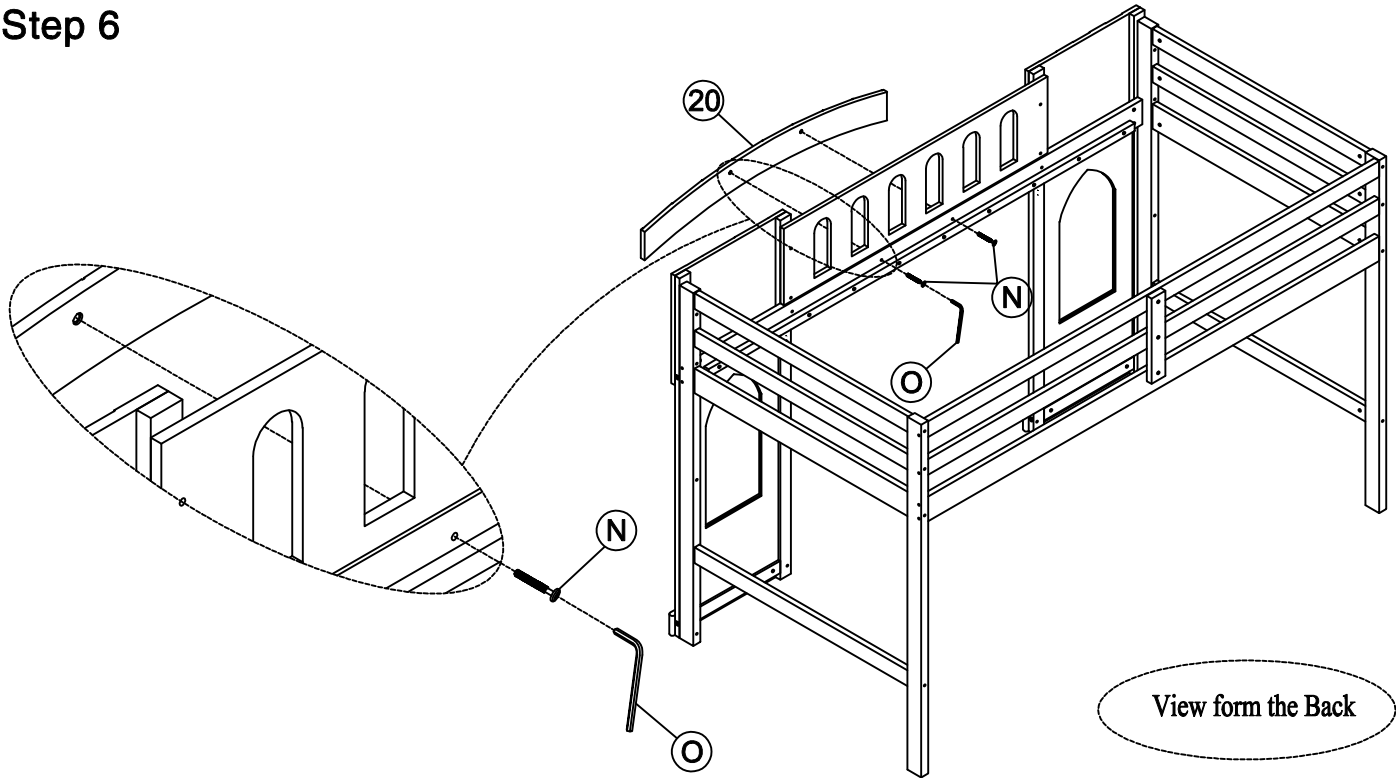
View from the Back





				O	4x58		1PC
K	1/4x90		3PCS	N	1/4x30		2PCS
M	1/4x45		2PCS	L	1/4x65		1PC

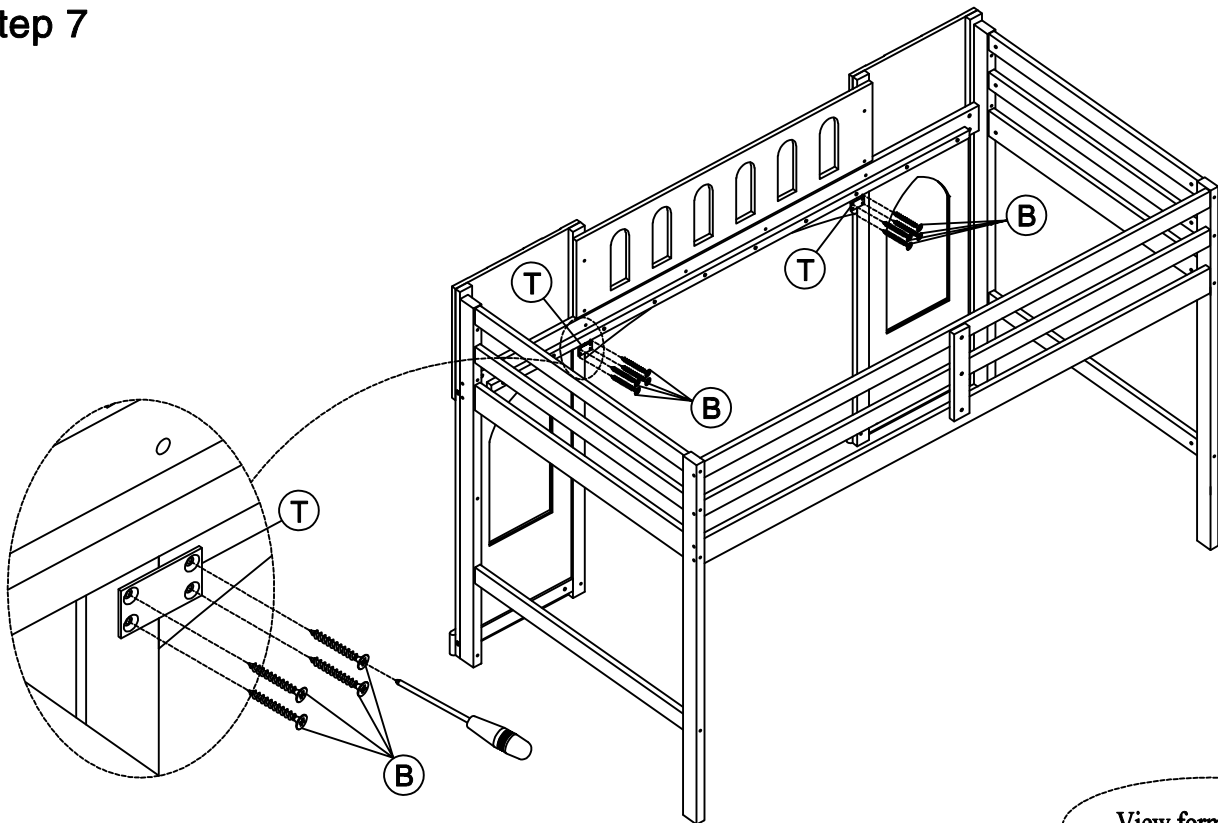
ASSEMBLY INSTRUCTIONS

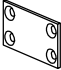

Step 6



O	4x58		1PC	N	1/4x30		2PCS
----------	------	--	-----	----------	--------	--	------

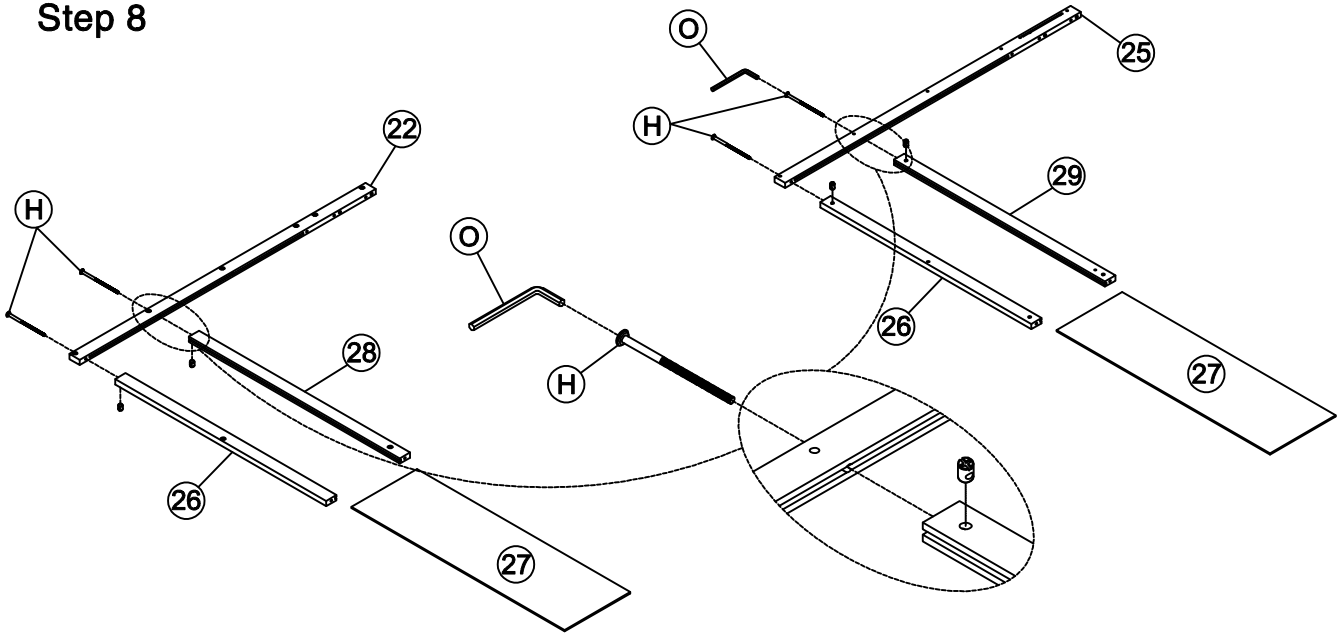
Step 7





T	50x28x2		2PCS	B	Ø4x15		8PCS
----------	---------	---	------	----------	-------	---	------

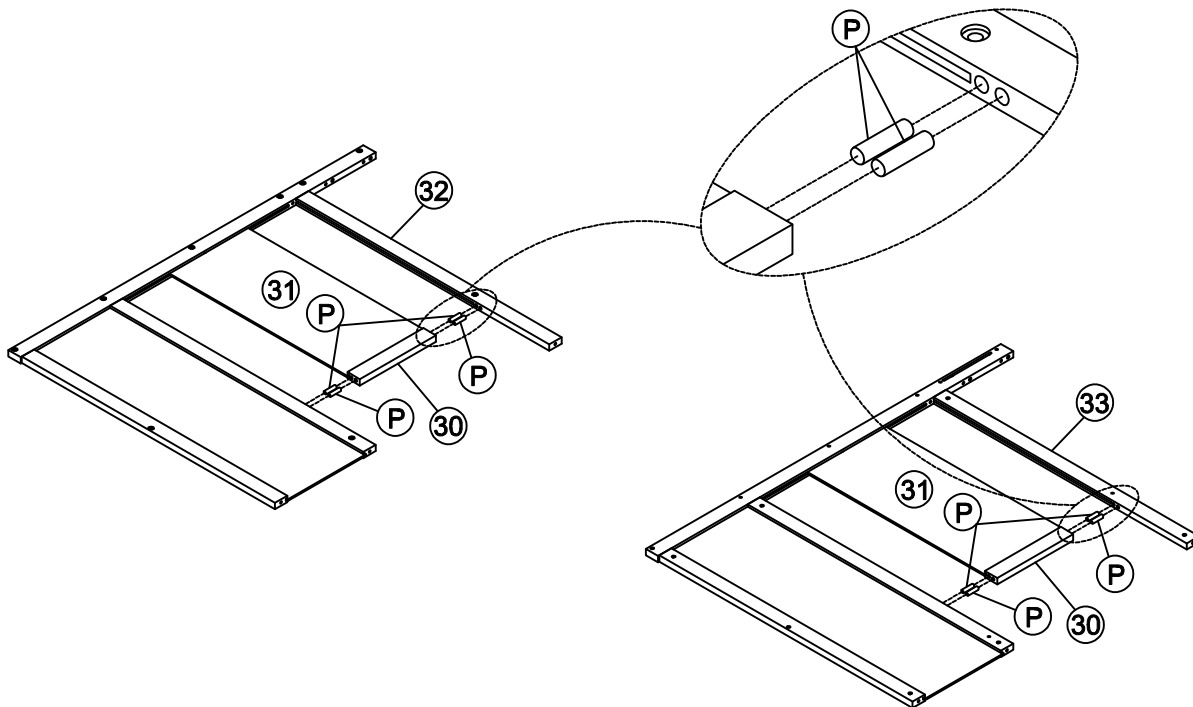
ASSEMBLY INSTRUCTIONS

Step 8



H	1/4x90		4PCS	O	4x58		1PC
----------	--------	---	------	----------	------	---	-----

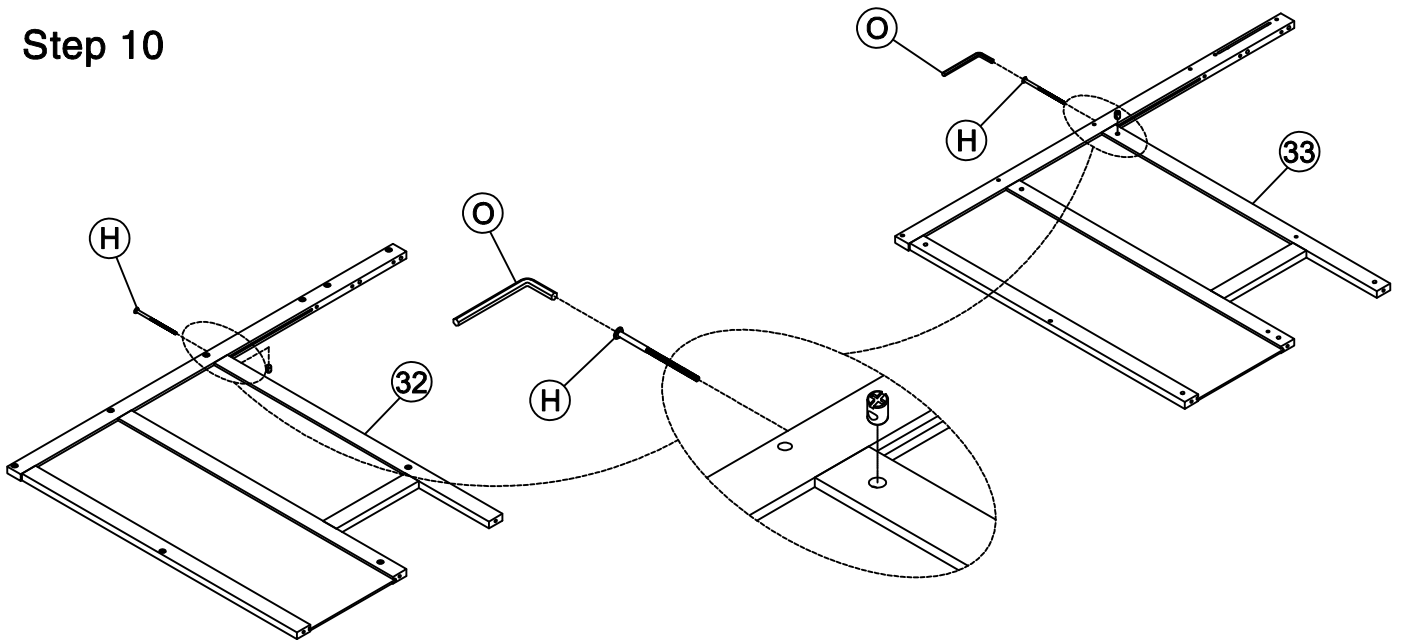
Step 9





P	Ø10x40		8PCS
----------	--------	---	------

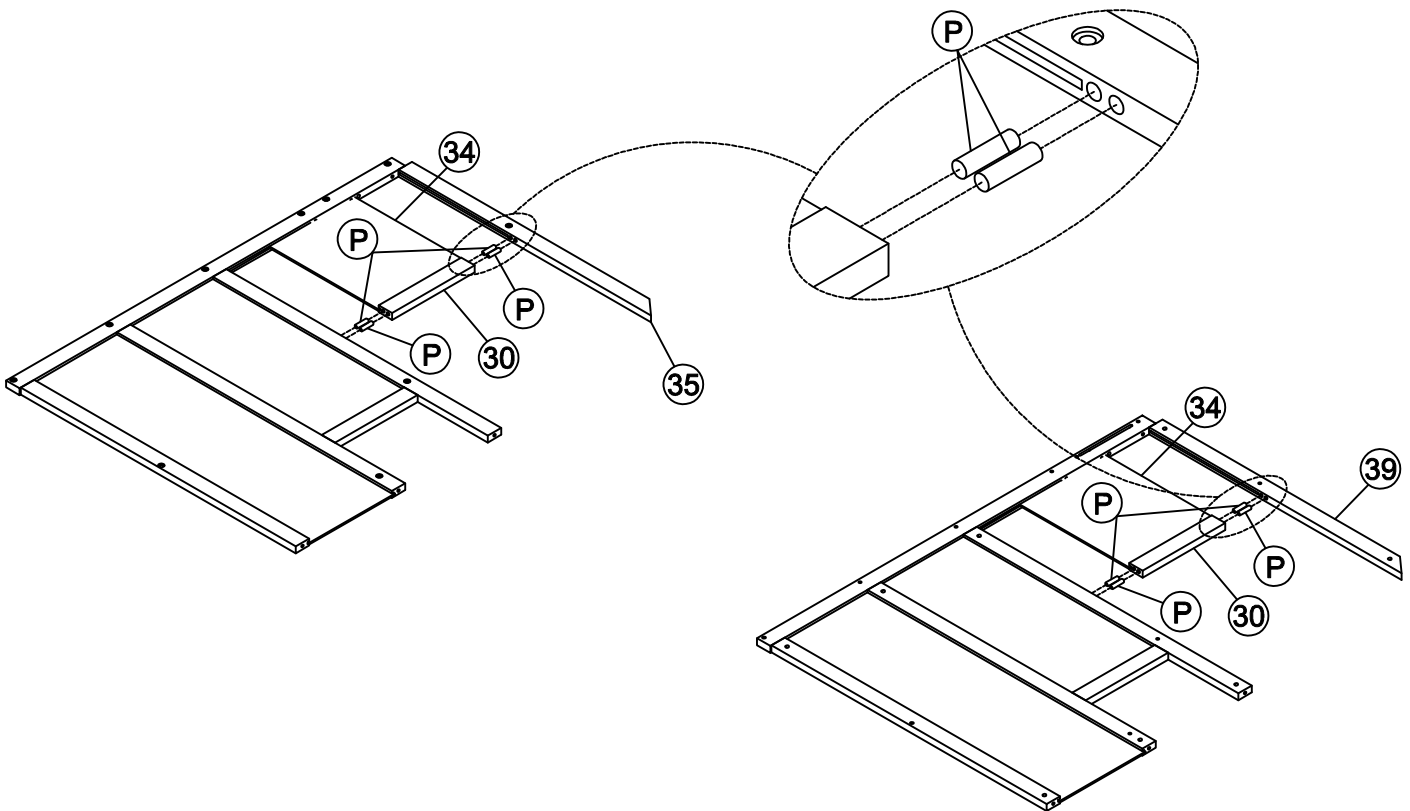
ASSEMBLY INSTRUCTIONS

Step 10



H	1/4x90		2PCS	O	4x58		1PC
----------	--------	---	------	----------	------	---	-----

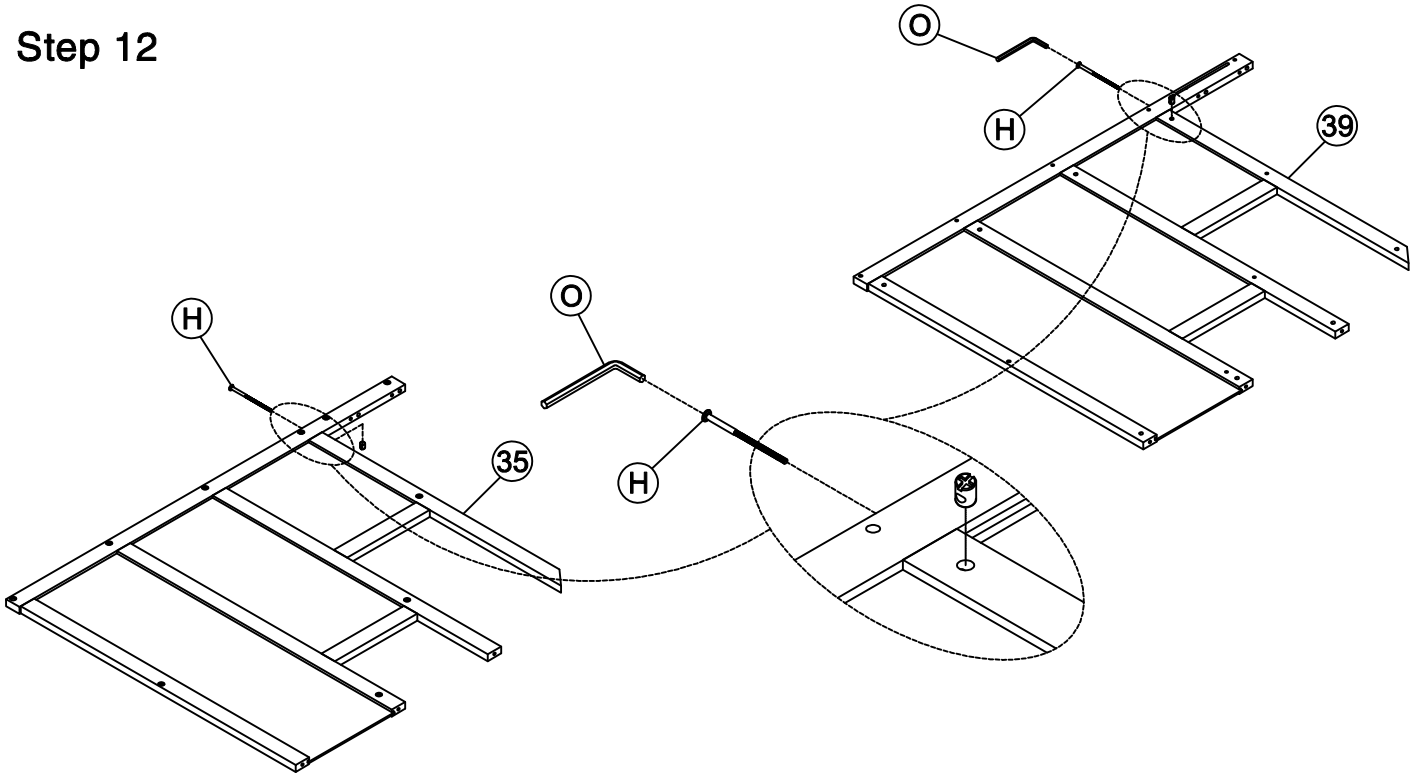
Step 11





P	Ø10x40		8PCS
----------	--------	---	------

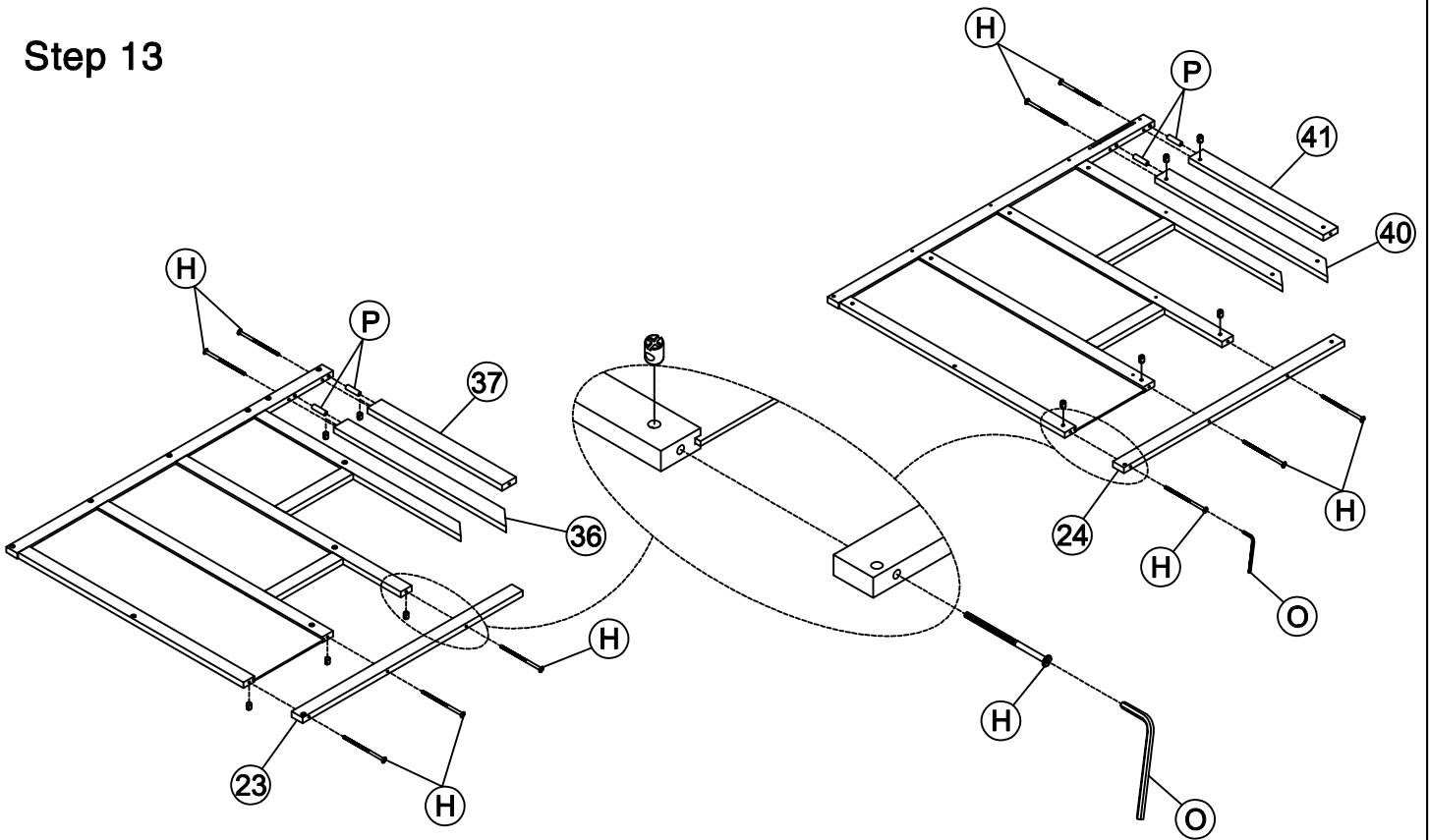
ASSEMBLY INSTRUCTIONS




Step 12



H	1/4x90		2PCS	O	4x58		1PC
----------	--------	--	------	----------	------	--	-----

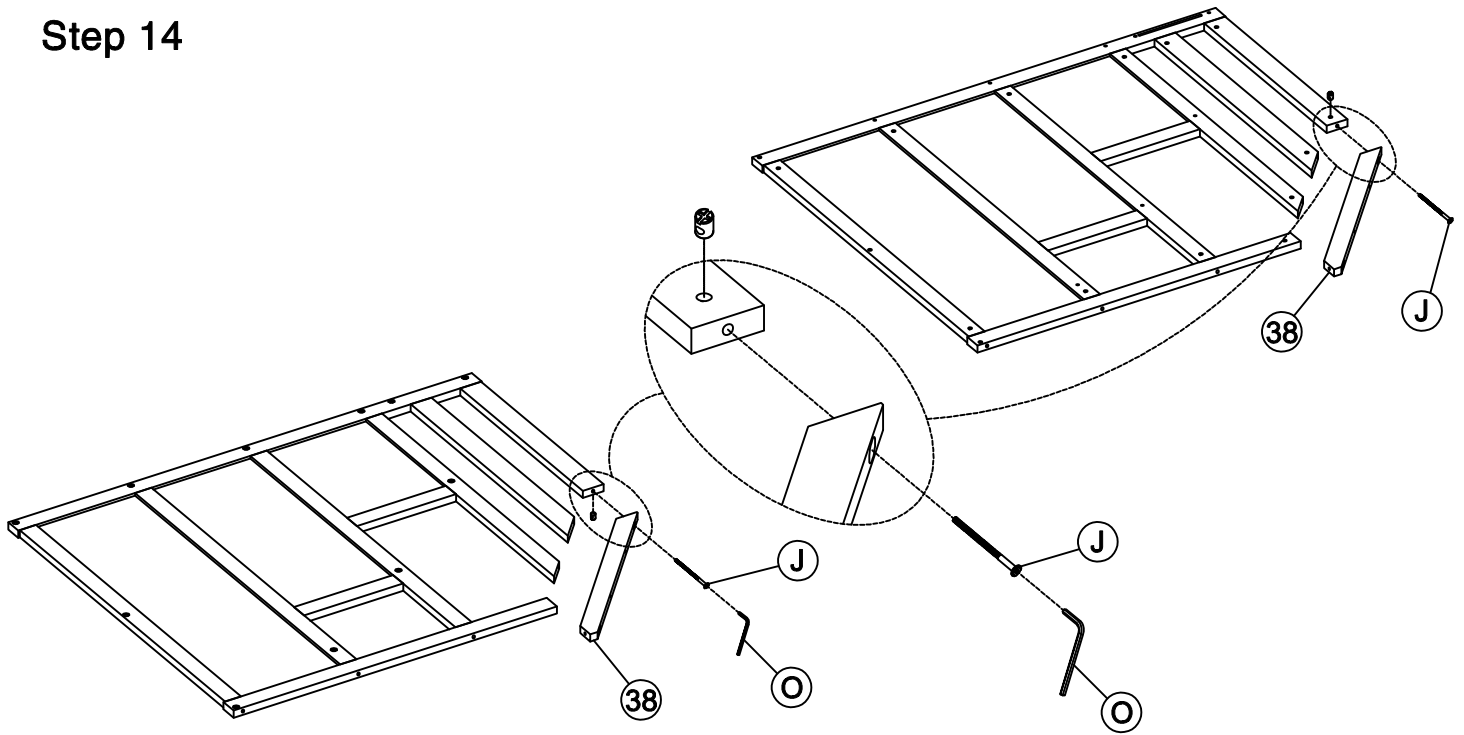
Step 13





P	Ø10x40		4PCS	H	1/4x90		10PCS	O	4x58		1PC
----------	--------	---	------	----------	--------	---	-------	----------	------	---	-----

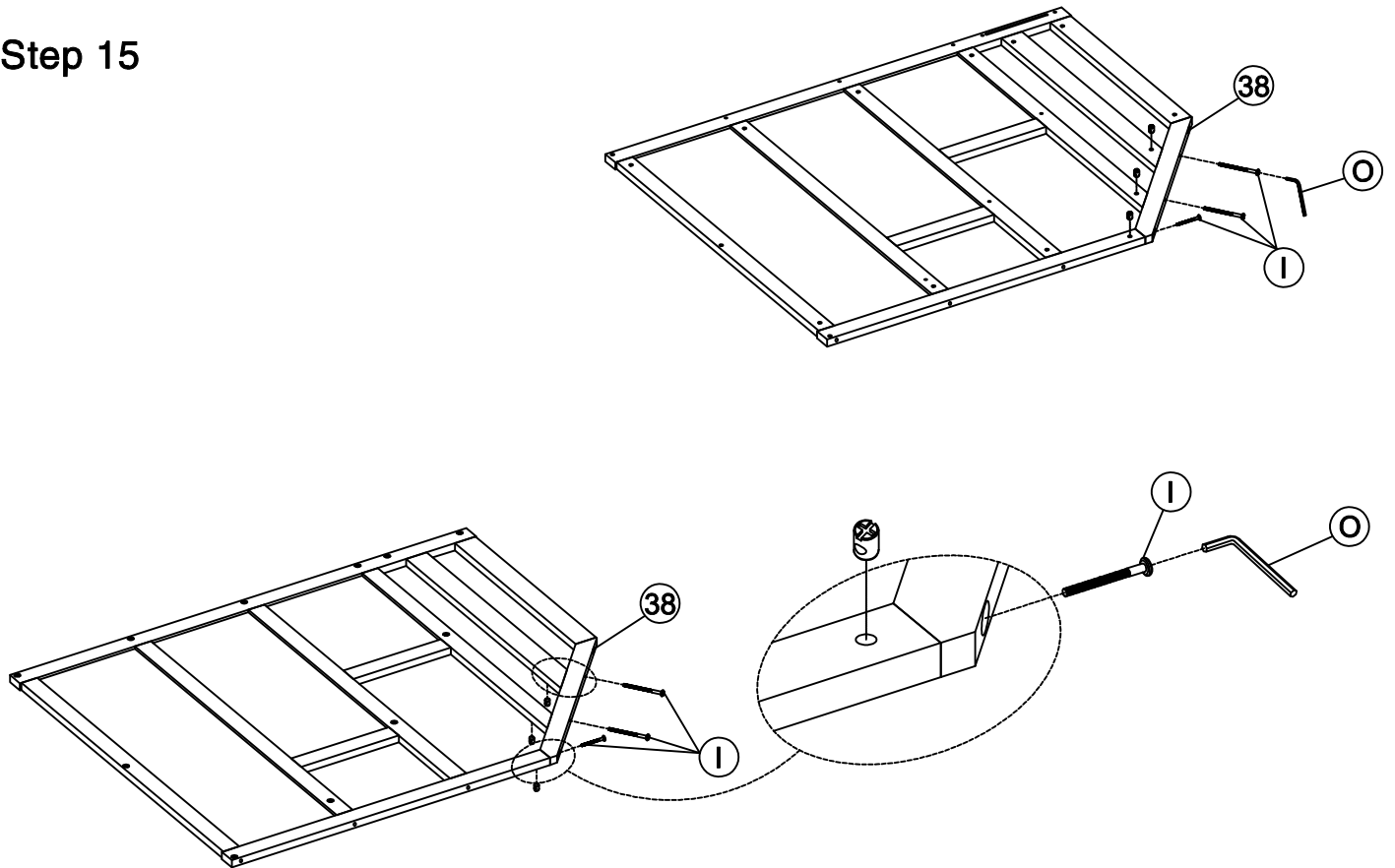
ASSEMBLY INSTRUCTIONS



Step 14



J	1/4x65		2PCS	O	4x58		1PC
----------	--------	--	------	----------	------	--	-----

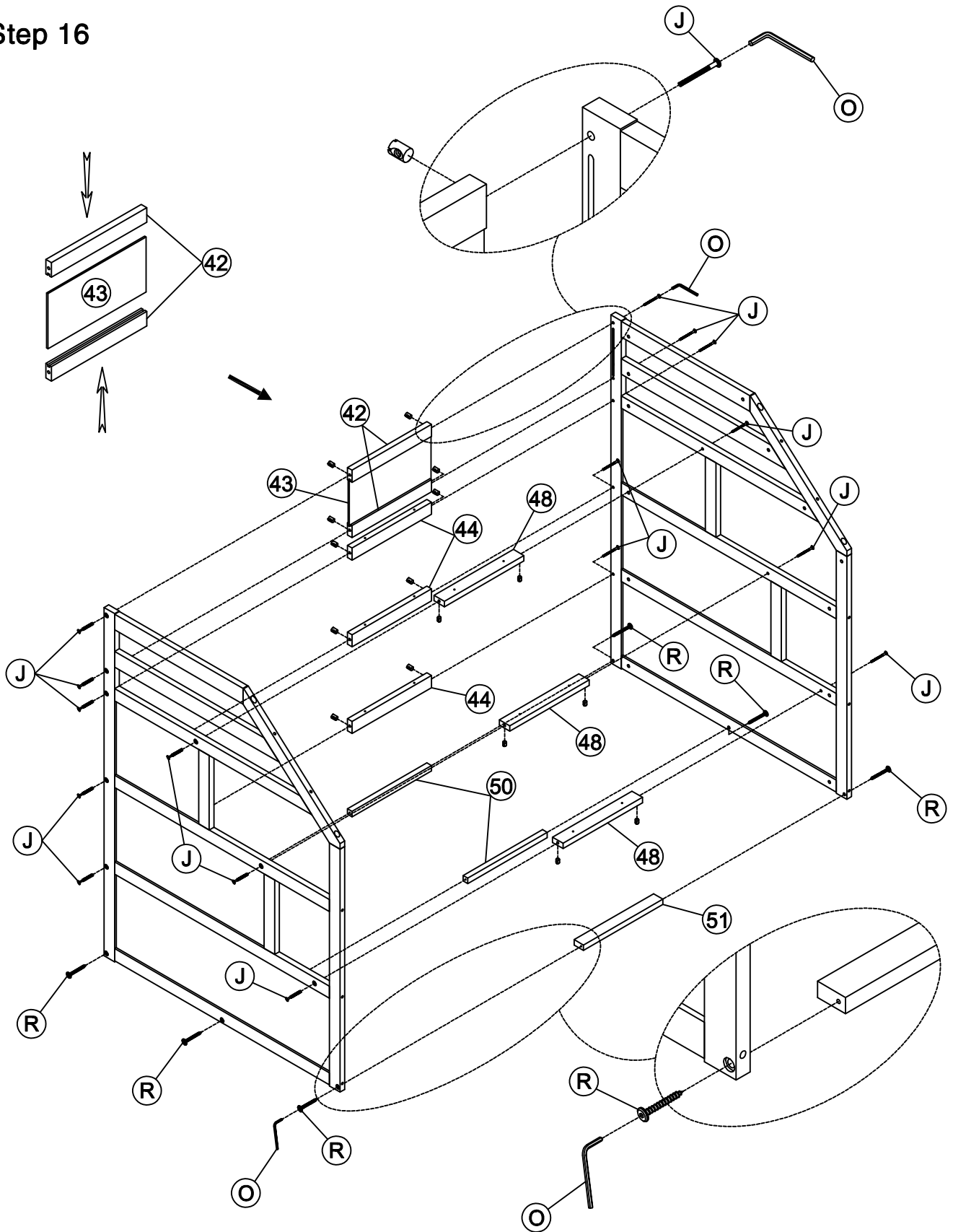
Step 15






I	1/4x75		6PCS	O	4x58		1PC
----------	--------	---	------	----------	------	---	-----

ASSEMBLY INSTRUCTIONS

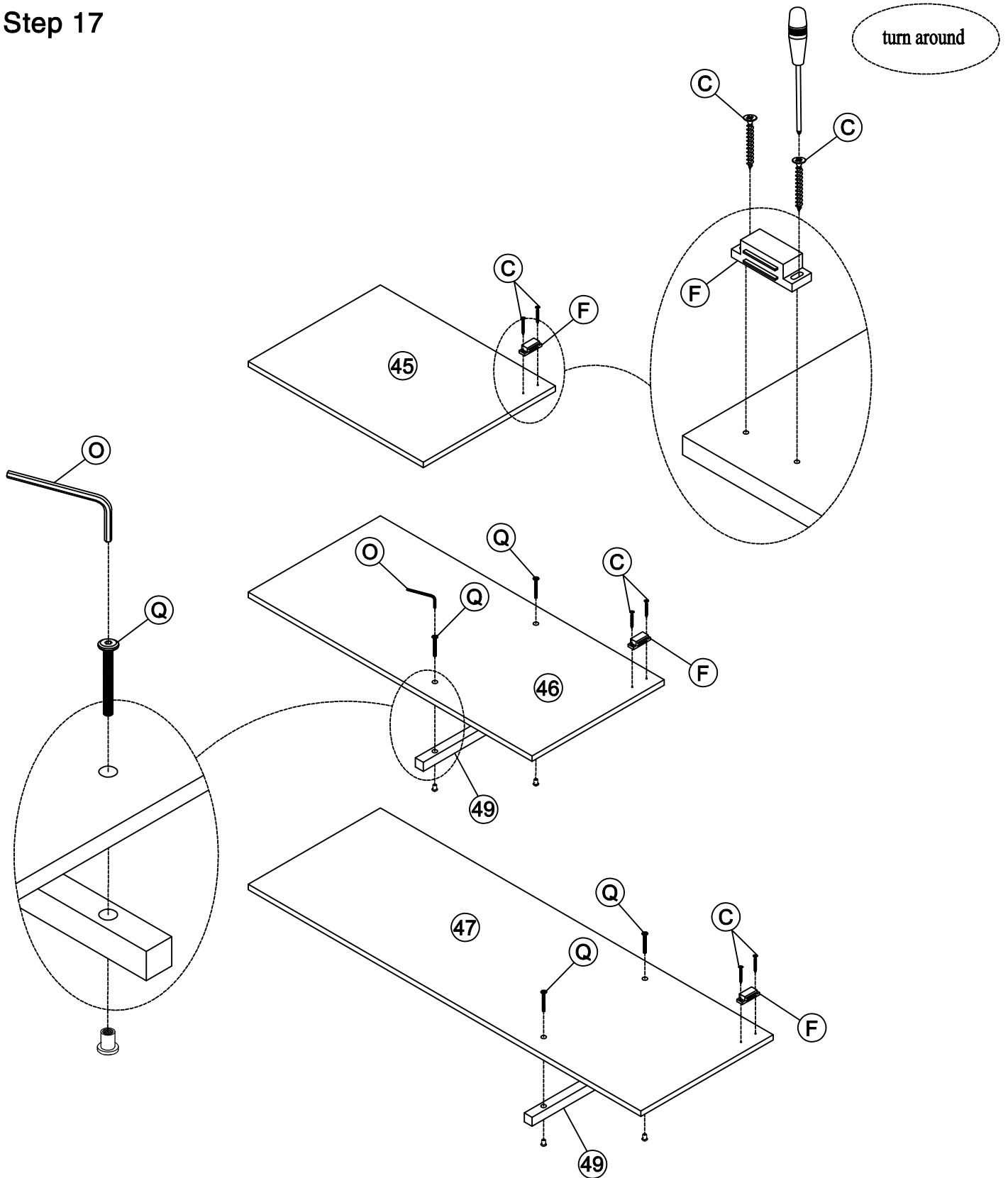
Step 16



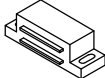



				O	4x58		1PC
R	6.5x50		6PCS	J	1/4x65		16PCS

ASSEMBLY INSTRUCTIONS

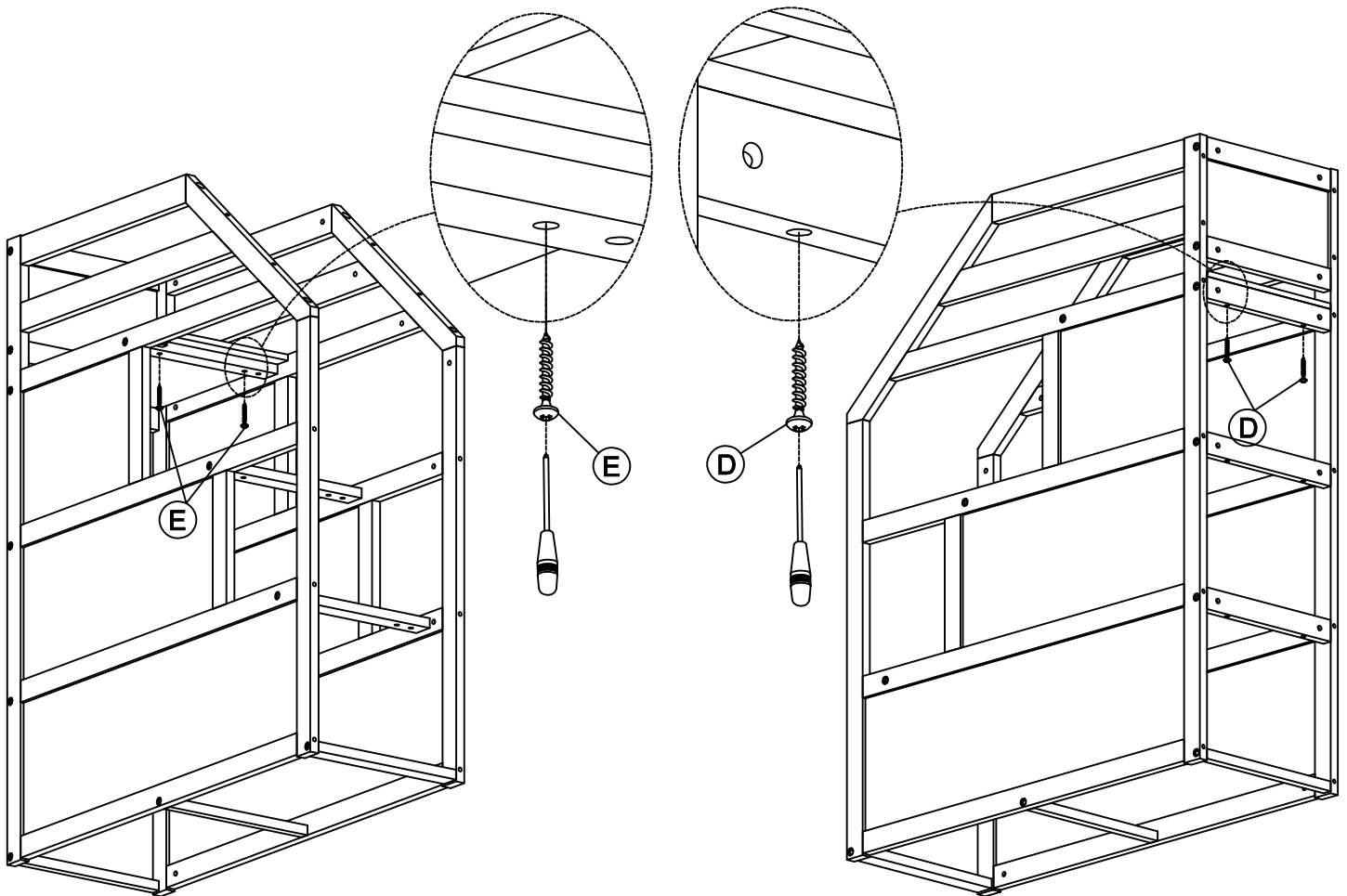
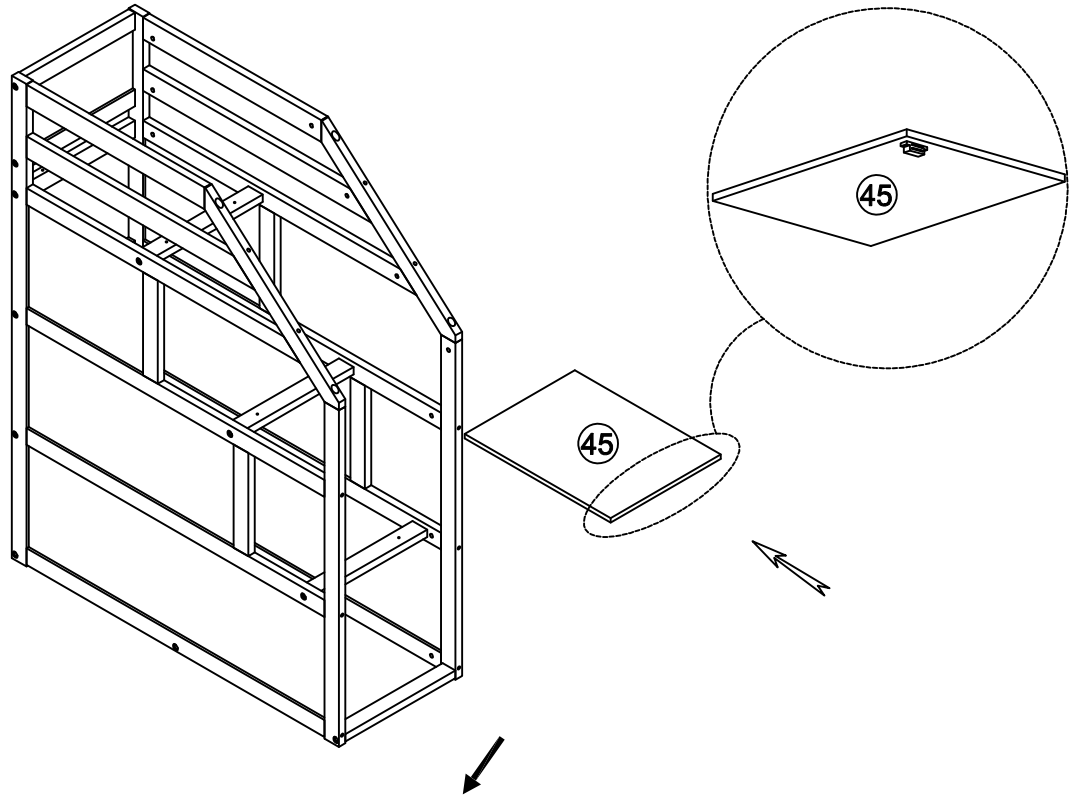
Step 17



O	4x58		1PC	Q	1/4x25		4PCS
F	44x17x14		3PCS	C	Ø3.5x12		6PCS

ASSEMBLY INSTRUCTIONS

Step 18



E Ø4x25



2PCS

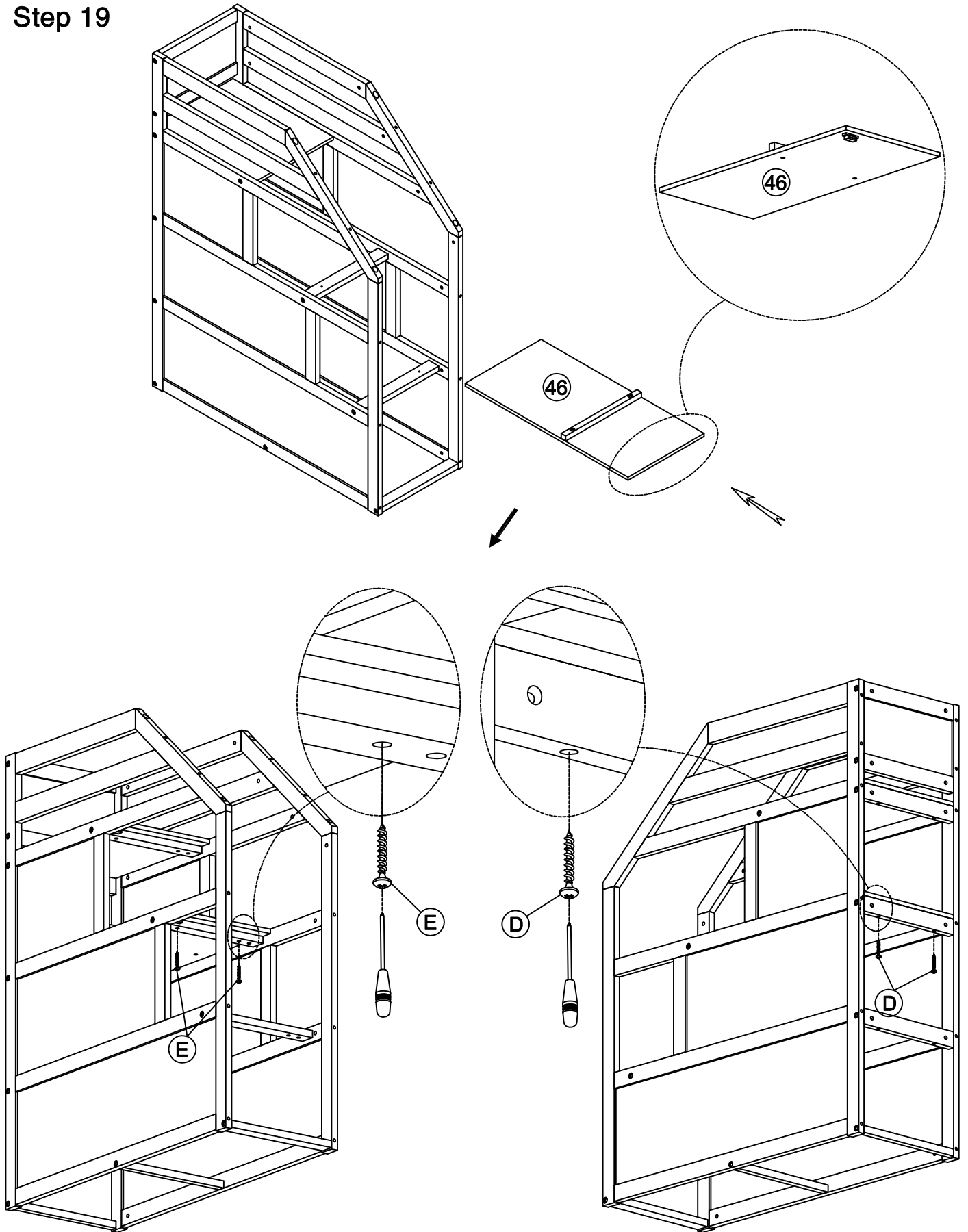
D Ø4x38


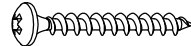


2PCS

ASSEMBLY INSTRUCTIONS

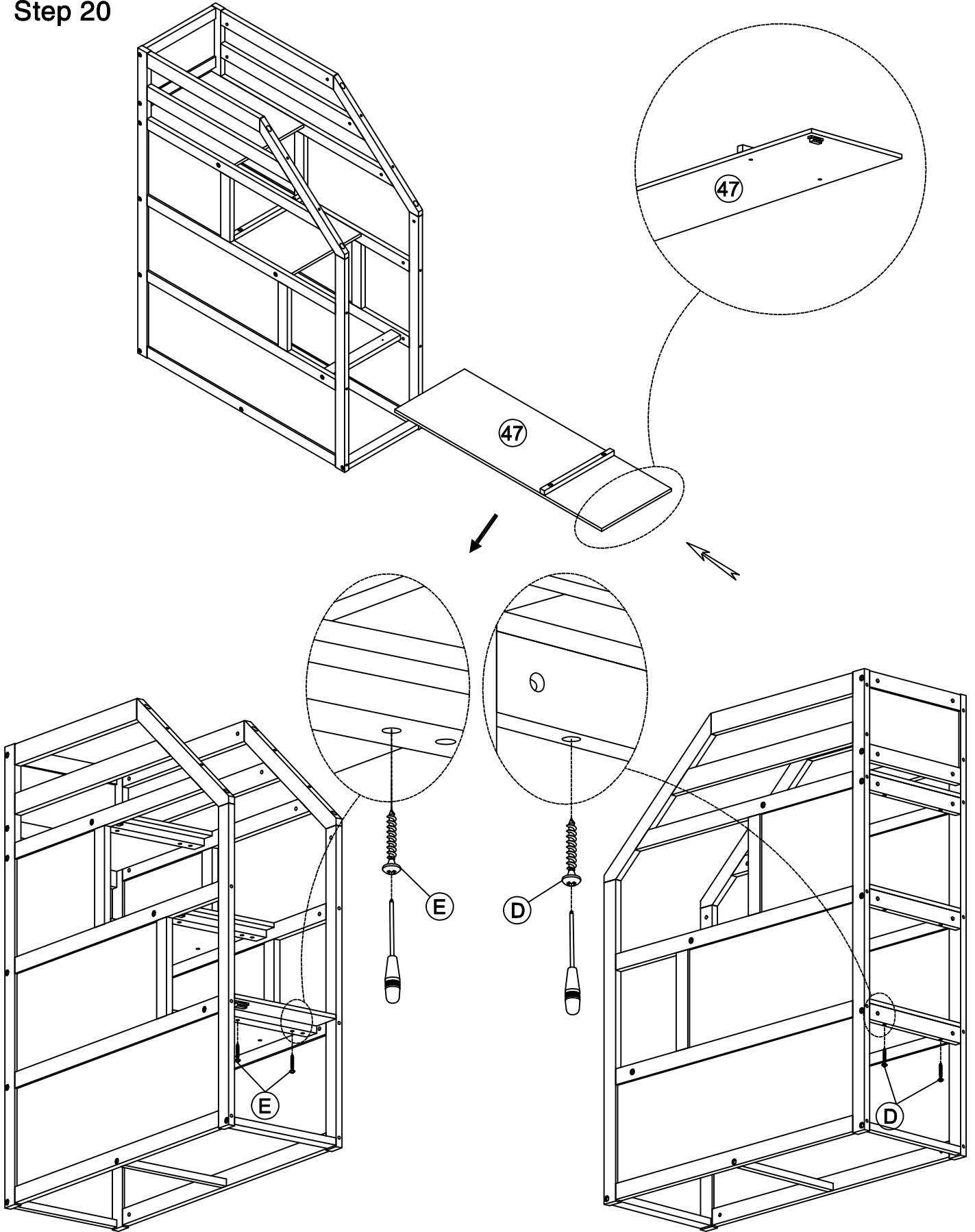
Step 19


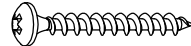


E	Ø4x25		2PCS	D	Ø4x38		2PCS
----------	-------	---	------	----------	-------	---	------

ASSEMBLY INSTRUCTIONS

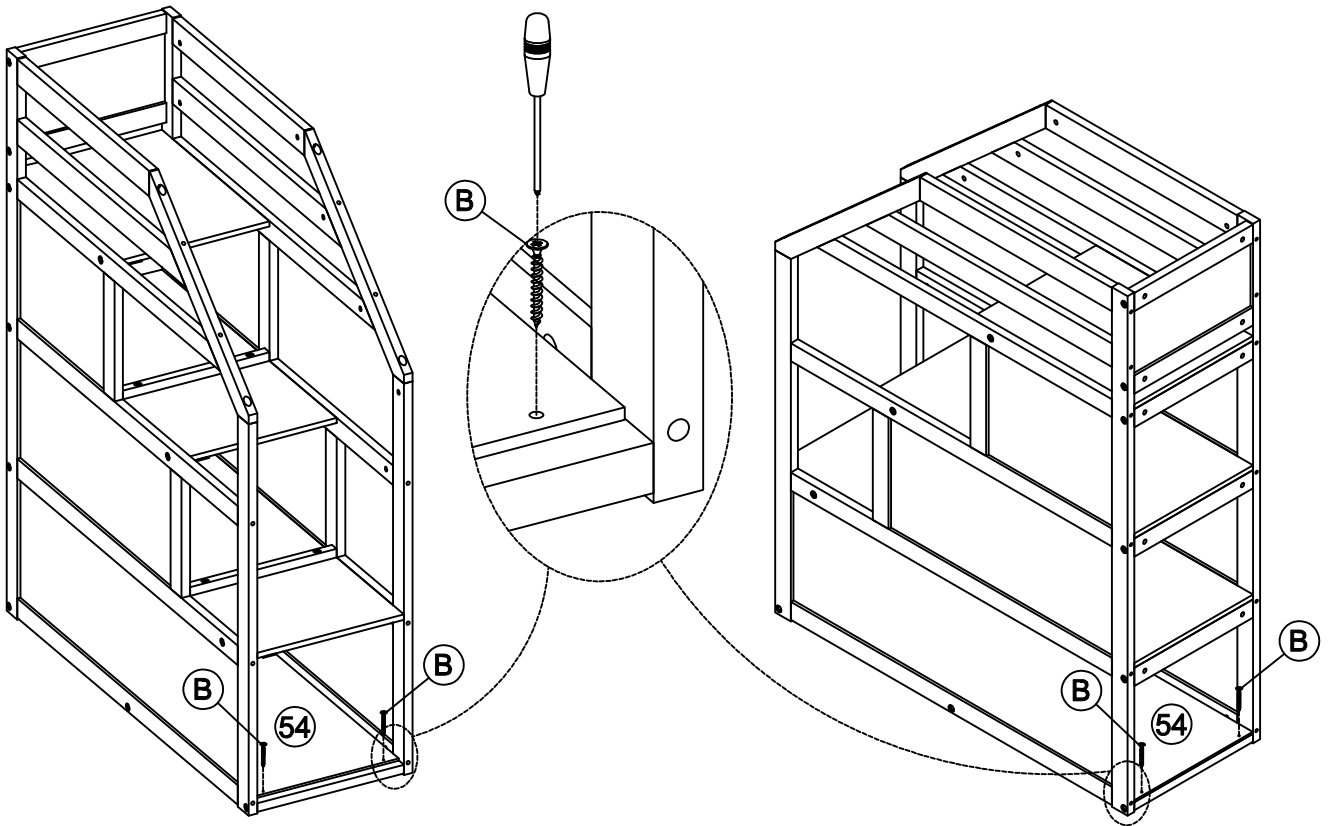
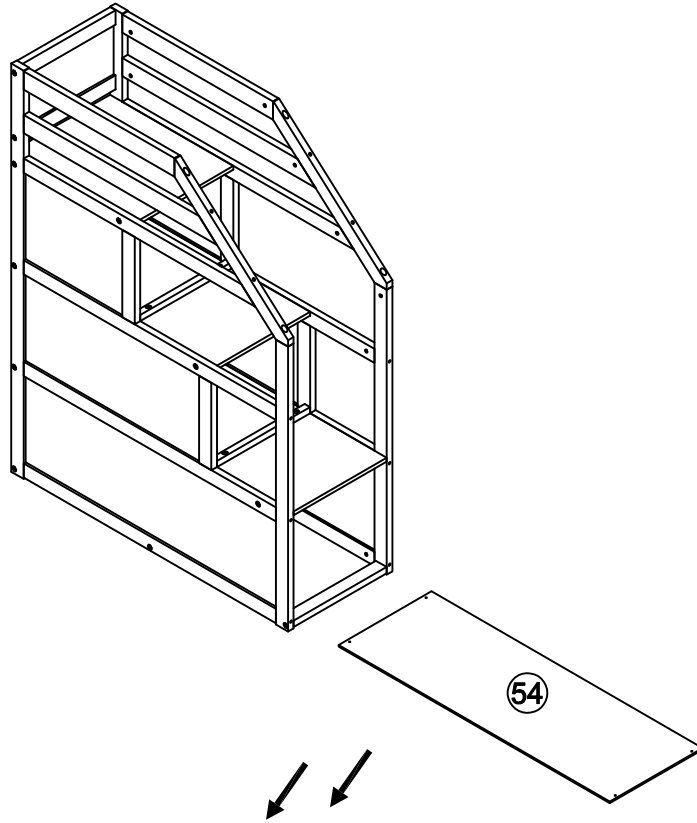
Step 20



E	Ø4x25		2PCS	D	Ø4x38		2PCS
----------	-------	---	------	----------	-------	---	------

ASSEMBLY INSTRUCTIONS

Step 21



B Ø4x15



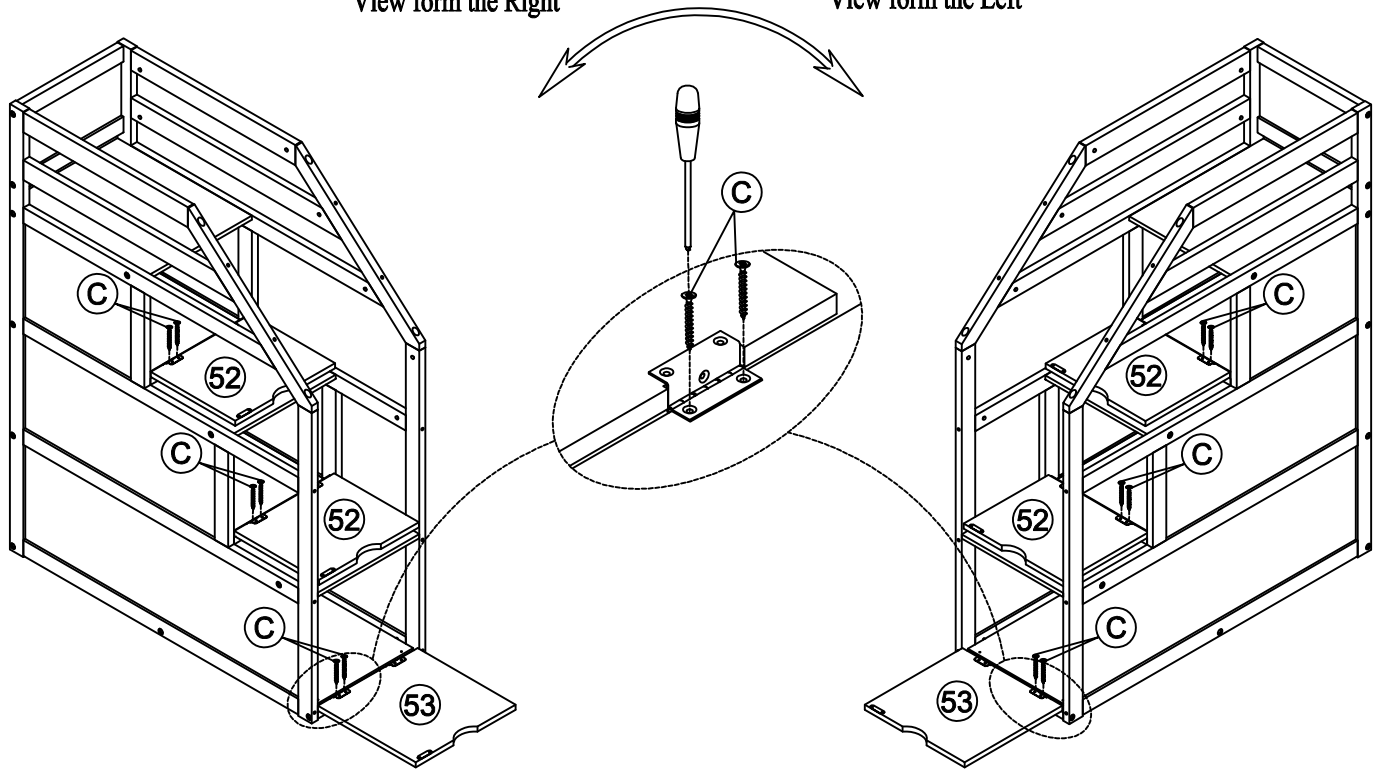
4PCS

ASSEMBLY INSTRUCTIONS

Step 22

View form the Right

View form the Left



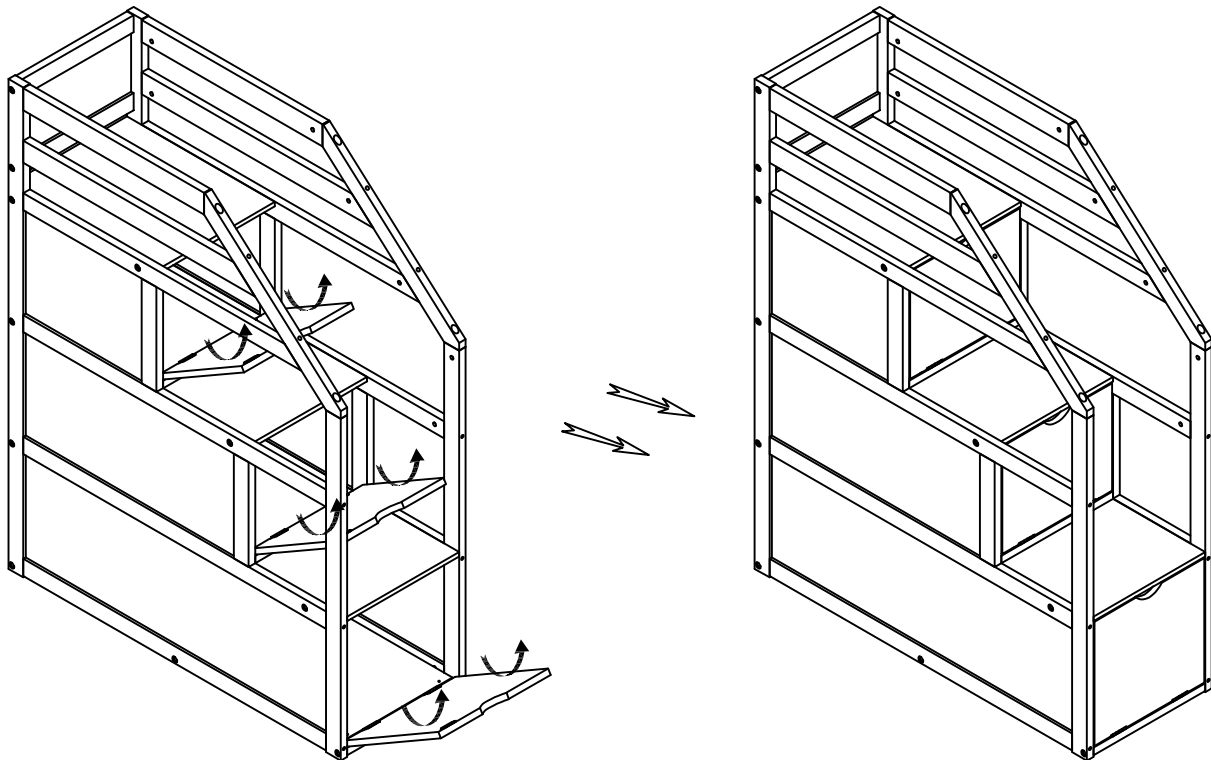
Board number (52) or (53) is screwed on board number (49) or (51)

C

Ø3.5x12



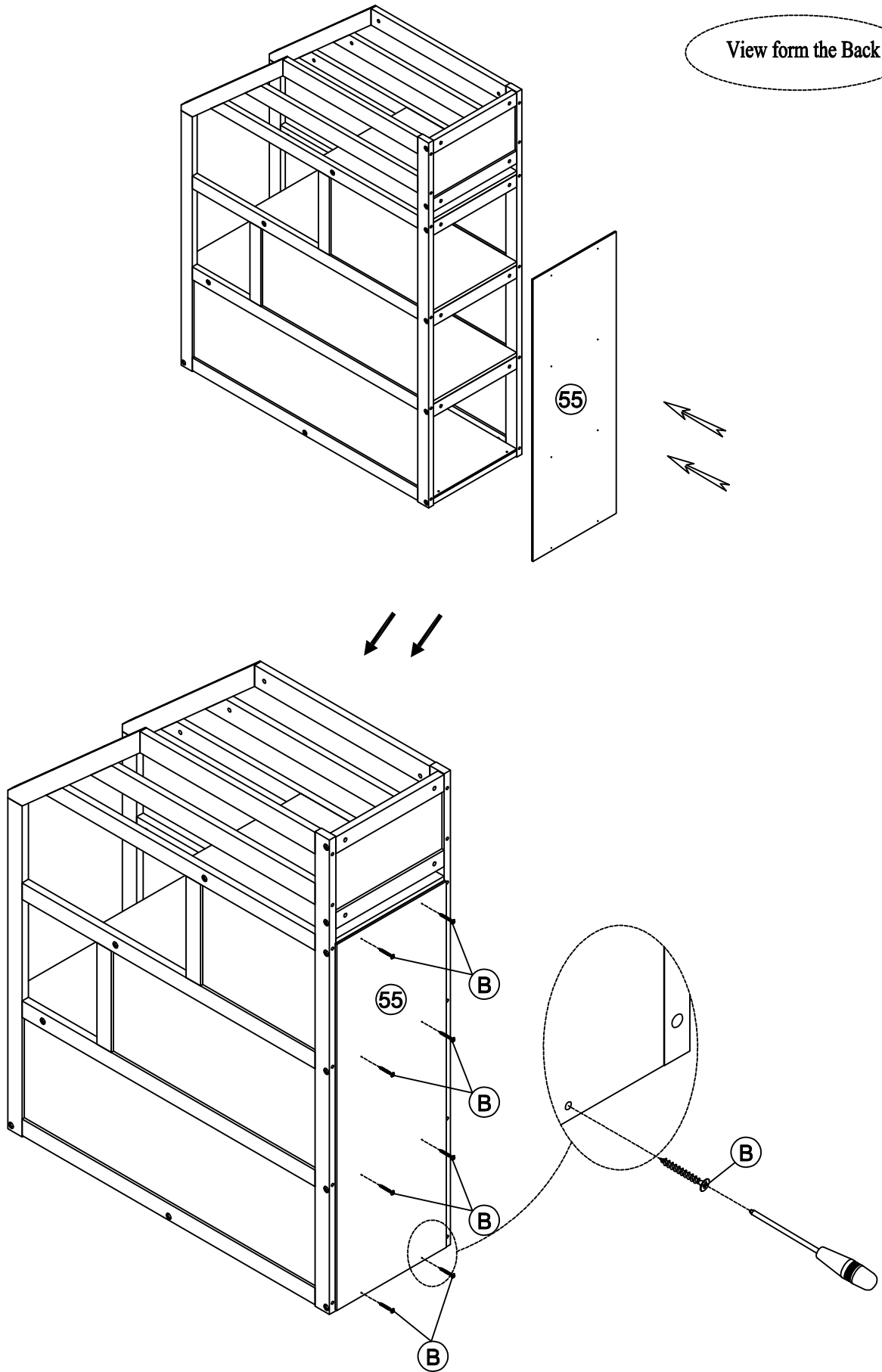
12PCS



ASSEMBLY INSTRUCTIONS

Step 23

View from the Back



B

Ø4x15

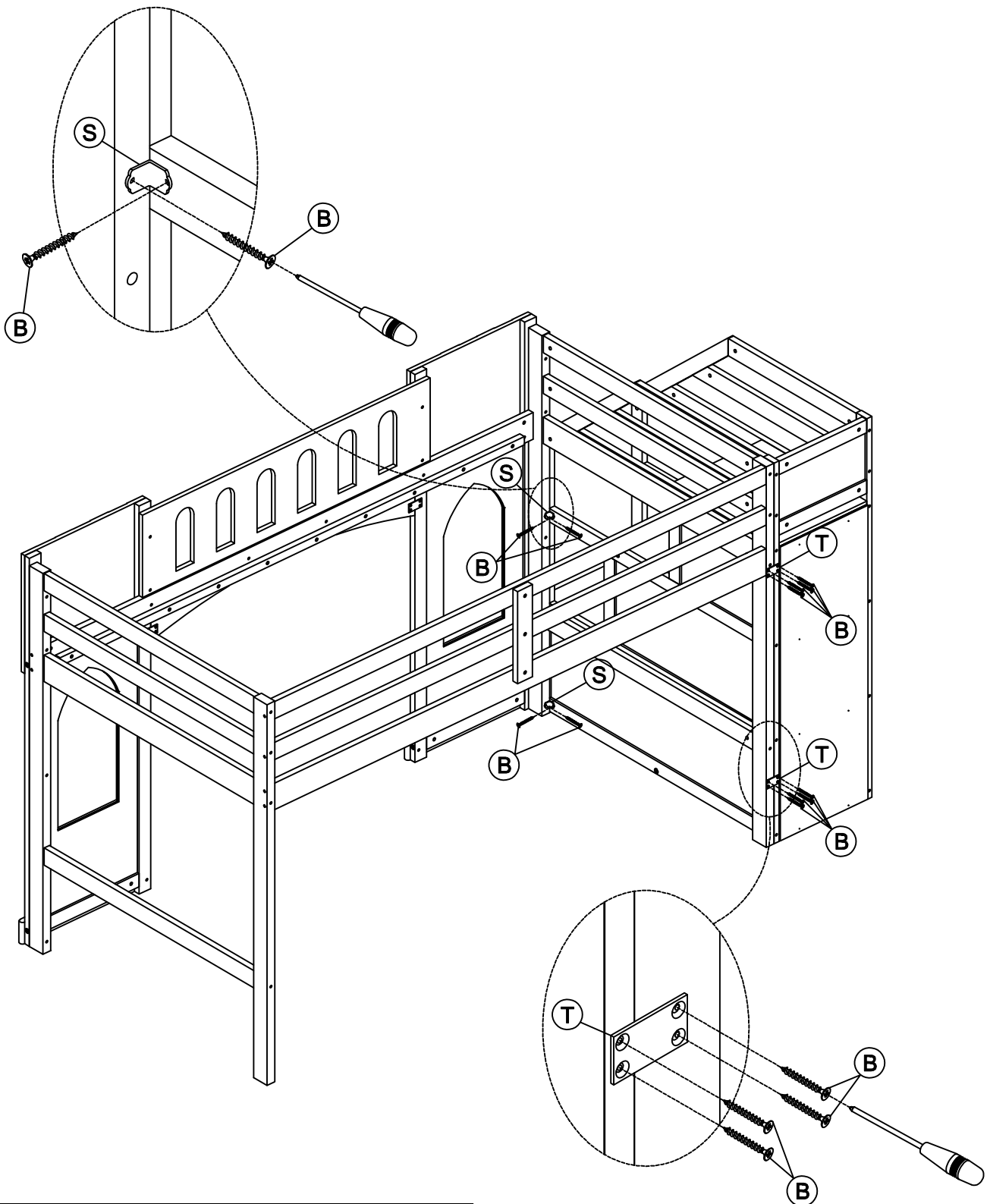


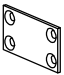


8PCS

ASSEMBLY INSTRUCTIONS

Step 24

View from the Back

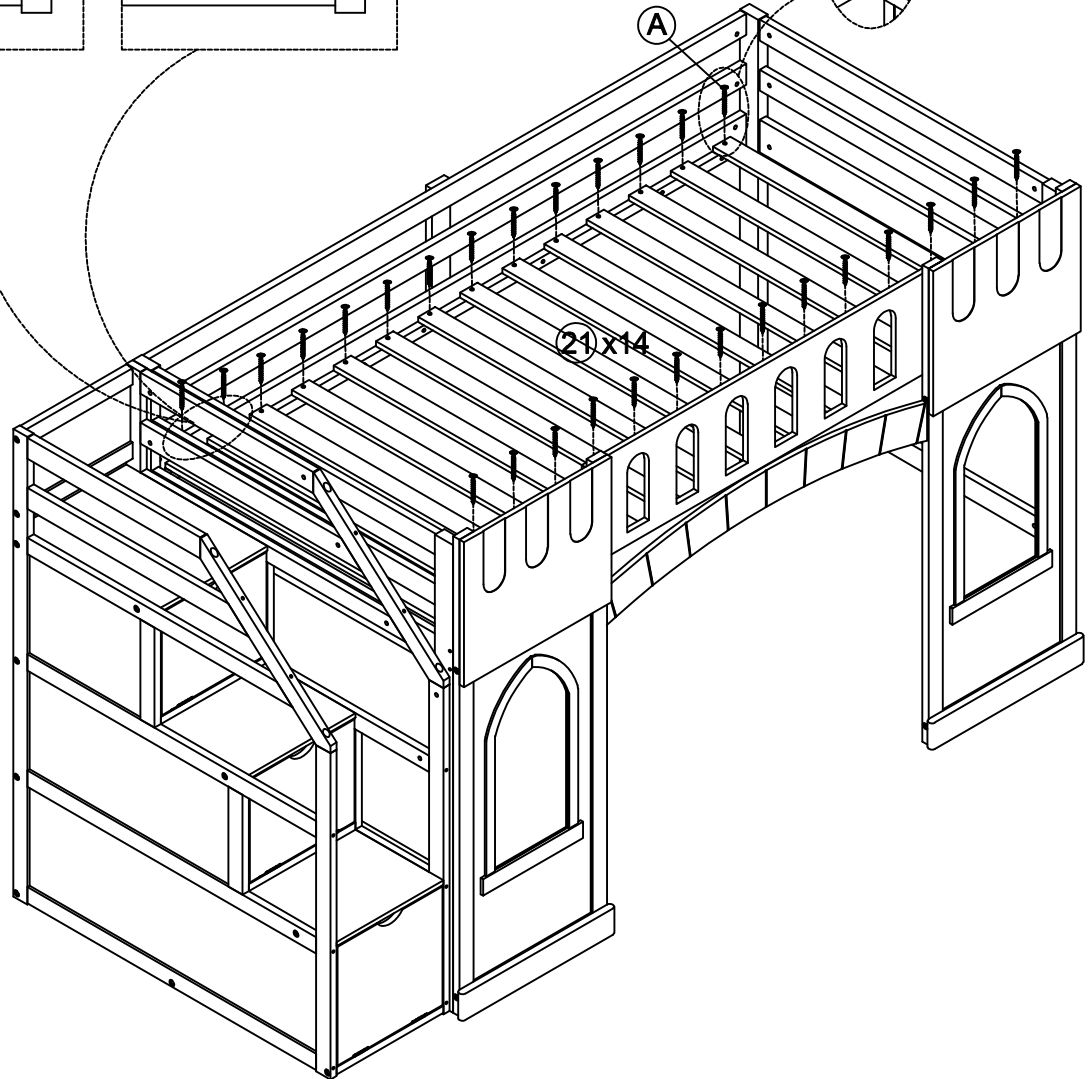
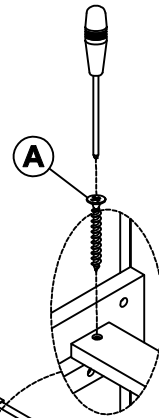
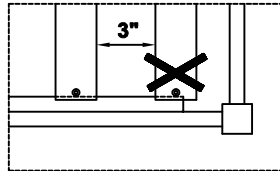
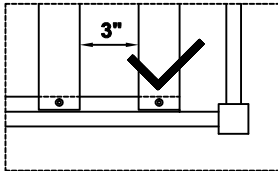


T	50x28x2		2PCS			
B	Ø4x15		12PCS	S	15x15x2	 2PCS

ASSEMBLY INSTRUCTIONS

Step 25

First attach 2 pcs part 21 to the front and end of the frame between headboard. Then attach the remaining part 21 equidistantly between headboard



A

Ø4x30



28PCS