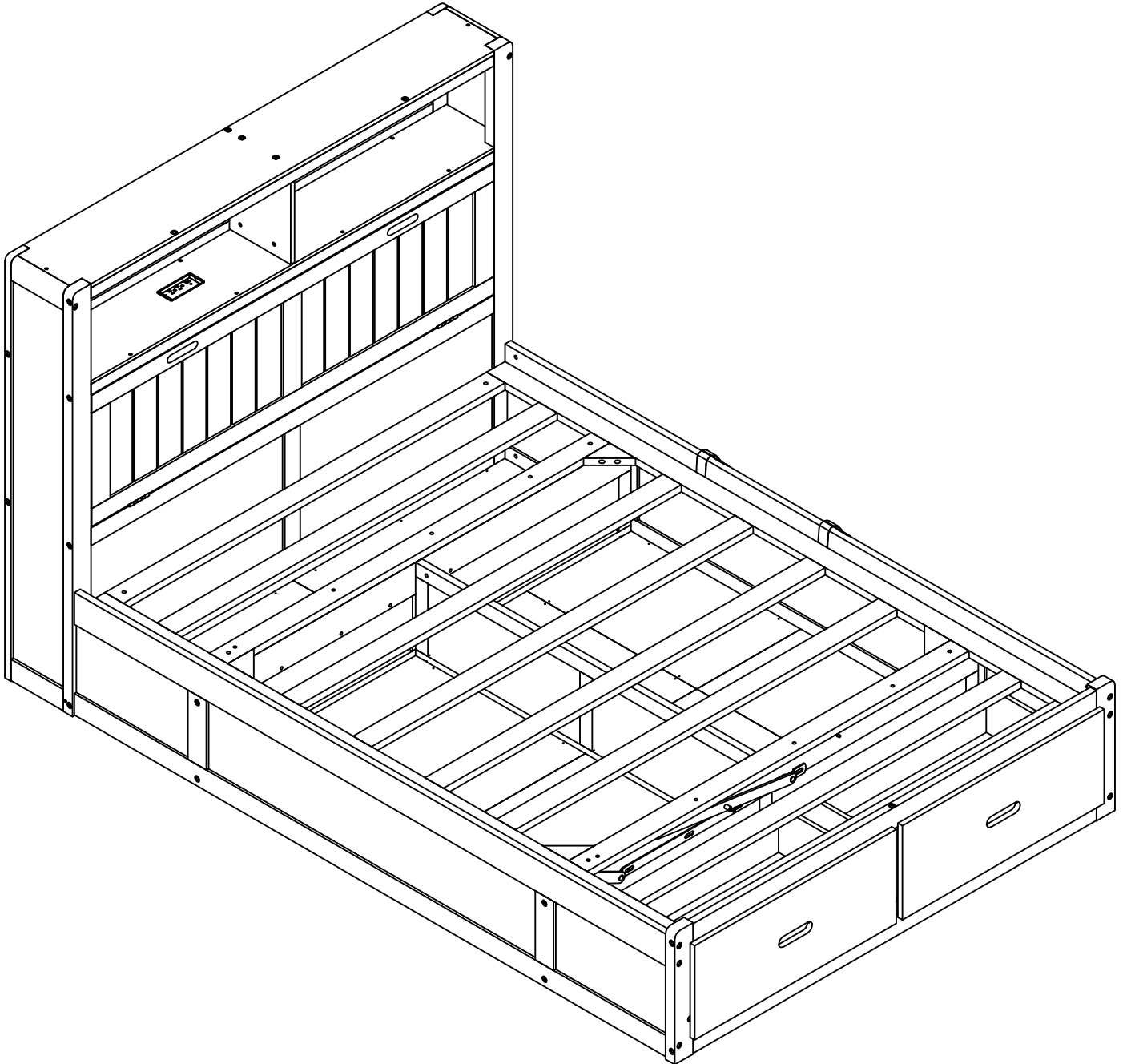
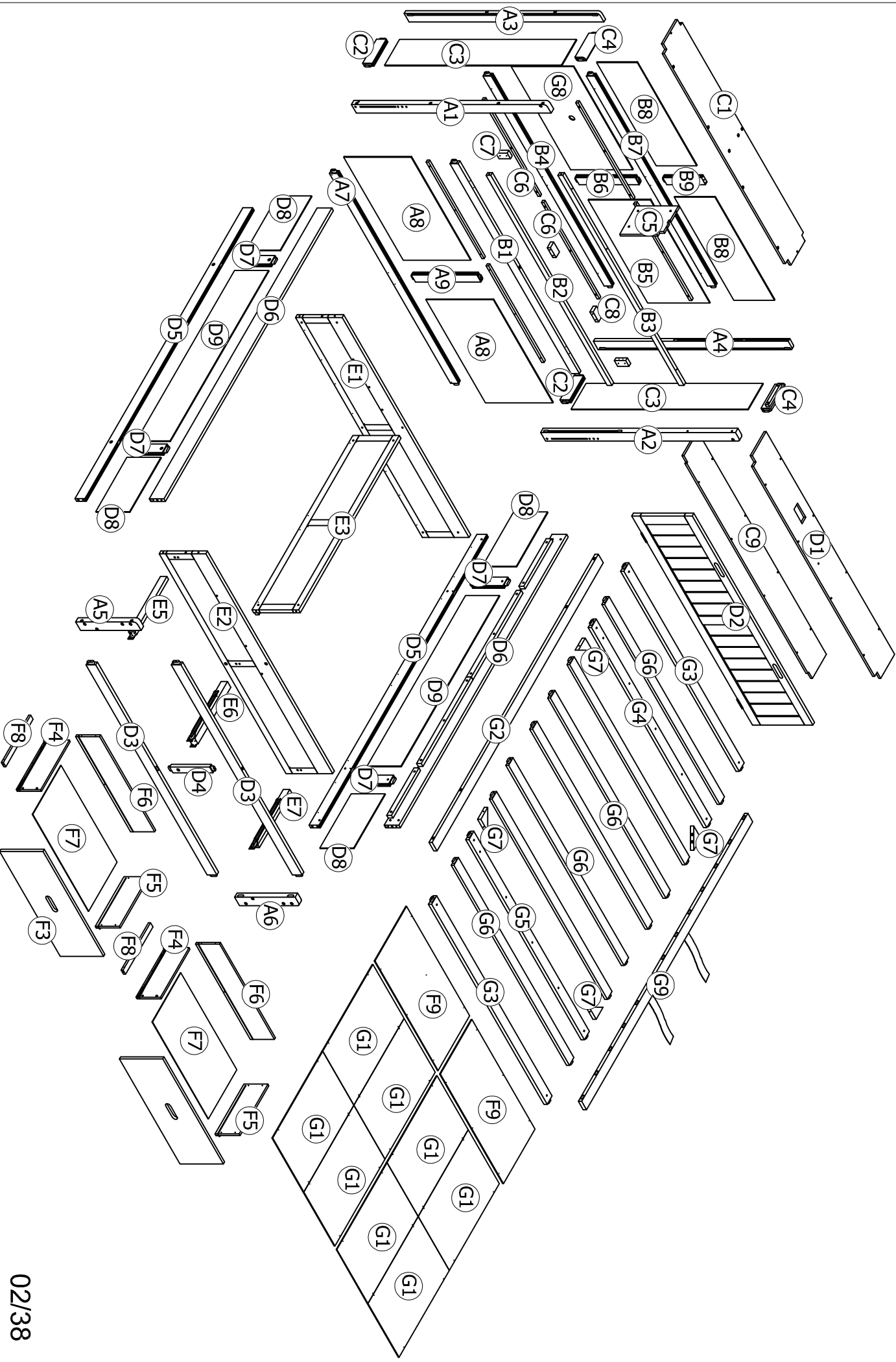






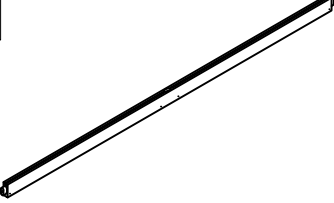
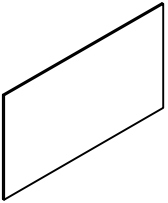
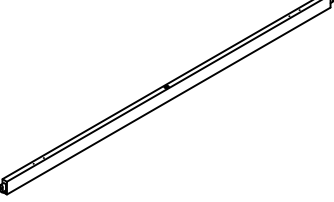
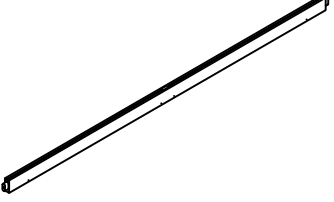
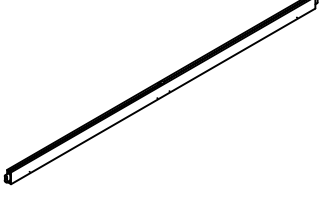
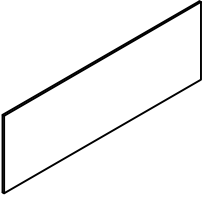
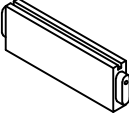

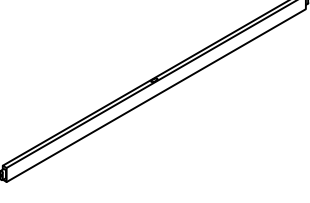
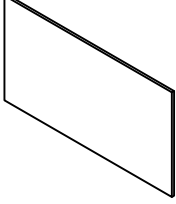
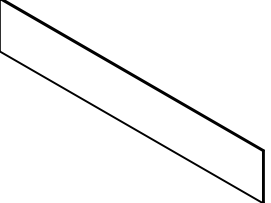
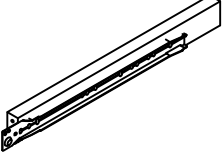
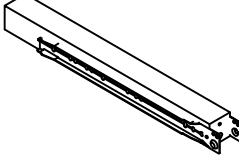
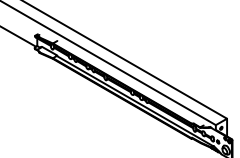
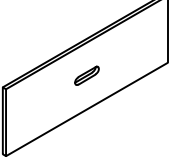
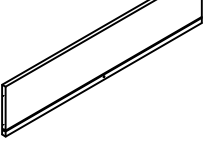
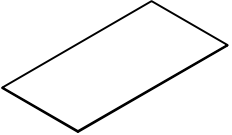
ASSEMBLY INSTRUCTION
SKU CODE: (WF318802-318803-318804)



ASSEMBLY INSTRUCTION

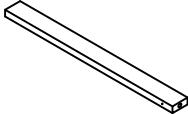


Part List (Box1-WF318802)

<p>A1</p>  <p>Leg-1pc</p>	<p>A2</p>  <p>Leg-1pc</p>	<p>A3</p>  <p>Leg-1pc</p>
<p>A4</p>  <p>Leg-1pc</p>	<p>A7</p>  <p>WoodBar-1pc</p>	<p>A8</p>  <p>Panel-2pcs</p>
<p>B1</p>  <p>WoodBar-1pc</p>	<p>B4</p>  <p>WoodBar-1pc</p>	<p>B7</p>  <p>WoodBar-1pc</p>
<p>B8</p>  <p>Panel-2pcs</p>	<p>C2</p>  <p>WoodBar-2pcs</p>	<p>C3</p>  <p>Panel-2pcs</p>
<p>D3</p>  <p>WoodBar-2pcs</p>	<p>D8</p>  <p>Panel-4pcs</p>	<p>D9</p>  <p>Panel-2pcs</p>
<p>E5</p>  <p>WoodBar-1pc</p>	<p>E6</p>  <p>WoodBar-1pc</p>	<p>E7</p>  <p>WoodBar-1pc</p>
<p>F3</p>  <p>Front Drawers-2pcs</p>	<p>F6</p>  <p>Back Drawers-2pcs</p>	<p>F7</p>  <p>Bottom Drawers-2pcs</p>

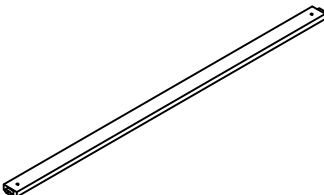
Part List (Box1-WF318802)

F8



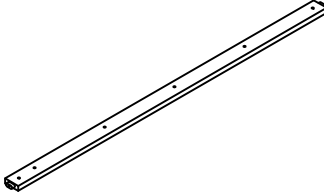
Support Drawers-2pcs

G3



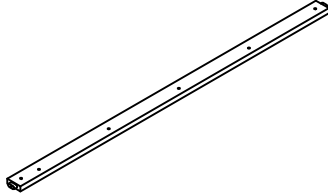
WoodBar-2pcs

G4



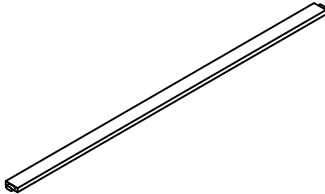
WoodBar-1pc

G5



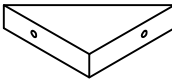
WoodBar-1pc

G6





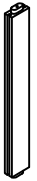
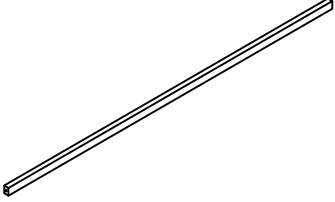
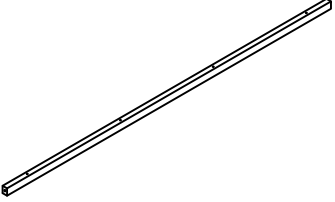
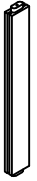

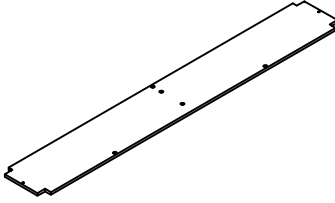
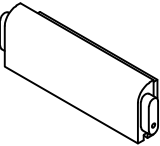
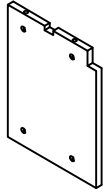
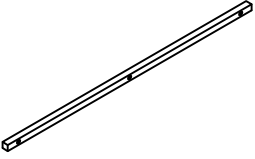
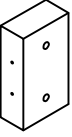
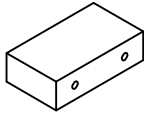
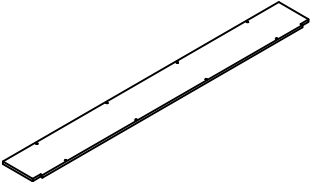
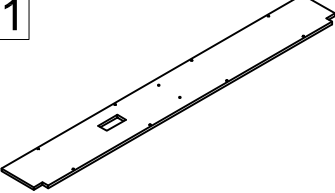

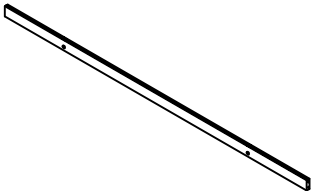
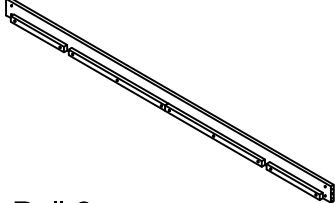
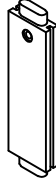
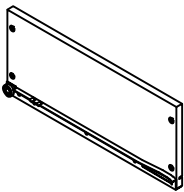
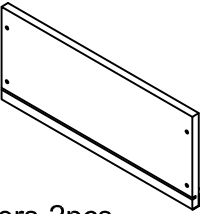
WoodBar-6pcs

G7



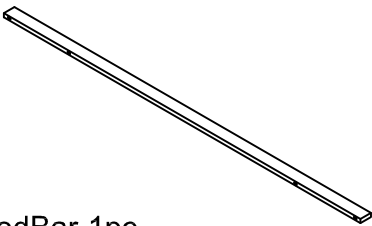
WoodBar-4pcs

Part List & Hardware List (Box2-WF318803)

<p>A5</p>  <p>Leg-1pc</p>	<p>A6</p>  <p>Leg-1pc</p>	<p>A9</p>  <p>WoodBar-1pc</p>
<p>B2</p>  <p>WoodBar-1pc</p>	<p>B3</p>  <p>WoodBar-1pc</p>	<p>B6</p>  <p>WoodBar-1pc</p>
<p>B9</p>  <p>WoodBar-1pc</p>	<p>C1</p>  <p>Panel-1pc</p>	<p>C4</p>  <p>WoodBar-2pcs</p>
<p>C5</p>  <p>Panel-1pc</p>	<p>C6</p>  <p>WoodBar-6pcs</p>	<p>C7</p>  <p>WoodBar-2pcs</p>
<p>C8</p>  <p>WoodBar-2pcs</p>	<p>C9</p>  <p>Panel-1pc</p>	<p>D1</p>  <p>Panel-1pc</p>
<p>D4</p>  <p>WoodBar-1pc</p>	<p>D5</p>  <p>WoodBar-2pcs</p>	<p>D6</p>  <p>Side Rail-2pcs</p>
<p>D7</p>  <p>WoodBar-4pcs</p>	<p>F4</p>  <p>Side Drawers-2pcs</p>	<p>F5</p>  <p>Side Drawers-2pcs</p>

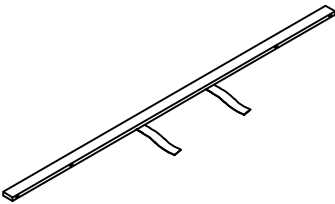
Part List & Hardware List (Box2-WF318803)

G2



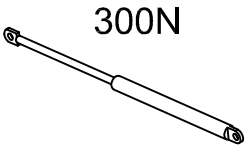
WoodBar-1pc

G9



WoodBar-1pc

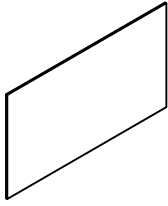
H3



Piston Steam-2pcs

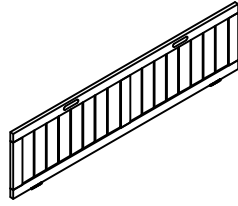
Part List (Box3-WF318804)

B5



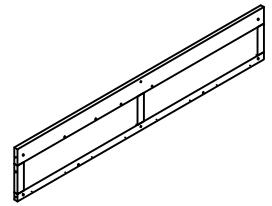
Panel-1pc

D2



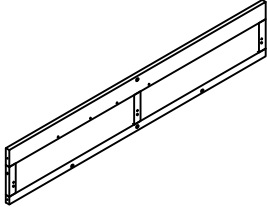
Panel-1pc

E1



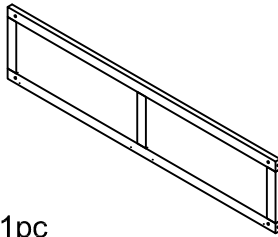
Panel-1pc

E2



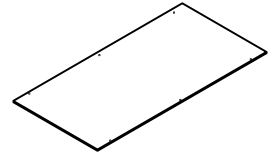
Panel-1pc

E3



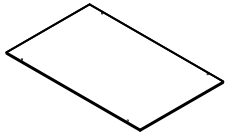
Panel-1pc

F9



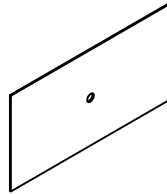
Panel-2pcs

G1



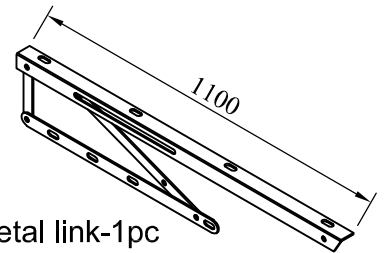
Panel-8pcs

G8



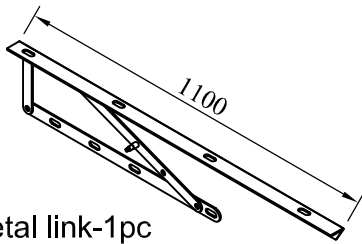
Panel-1pc

H1



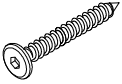
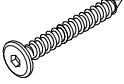
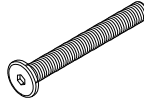
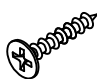
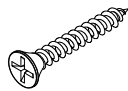
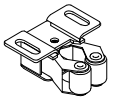
Metal link-1pc

H2



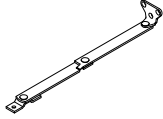
Metal link-1pc

Hardware List (Box 2-WF318803)

<p>1</p>  <p>Screws 1/4" x30 3pcs</p>	<p>2</p>  <p>Screws 1/4" x40 10pcs</p>	<p>3</p>  <p>Screws 1/4" x60 5pcs</p>
<p>4</p>  <p>Screws 1/4" x70 2pcs</p>	<p>5</p>  <p>Ø1/4" x 20 mm Hex-Head bolts 16pcs</p>	<p>6</p>  <p>Ø1/4" x 50 mm Hex-Head bolts 4pcs</p>
<p>7</p>  <p>Ø1/4" x 60 mm Hex-Head bolts 18pcs</p>	<p>8</p>  <p>Ø1/4" x 80 mm Hex-Head bolts 6pcs</p>	<p>9</p>  <p>Ø1/4" x 100 mm Hex-Head bolts 24pcs</p>
<p>10</p>  <p>Ø1/4" x 13 mm Horizontal-Hole bolts 52pcs</p>	<p>11</p>  <p>Ø6 x 30 mm Wood dowel 2pcs</p>	<p>12</p>  <p>Ø10 x 40 mm Wood dowel 18pcs</p>
<p>13</p>  <p>M3.5 x 15 mm Wood Screws 30pcs</p>	<p>14</p>  <p>M4 x 25 mm Wood Screws 20pcs</p>	<p>15</p>  <p>M4 x 30 mm Wood Screws 48pcs</p>
<p>16</p>  <p>M4 x 50 mm Wood Screws 4pcs</p>	<p>17</p>  <p>Allen Key 1pc</p>	<p>18</p>  <p>Steel Bracket 2pcs</p>
<p>19</p>  <p>Door Catcher 2pcs</p>	<p>20</p>  <p>Door Catcher 2pcs</p>	<p>21</p>  <p>Nut 4pcs</p>

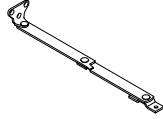
Hardware List (Box 2-WF318803)

22



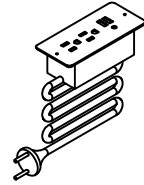
Left door strut 1pc

23



Right door strut 1pc

24



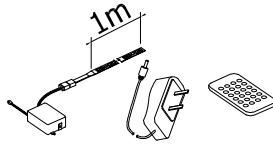
USB 1PC

25



M3.5 x 12 mm
Wood Screws 6pcs

26

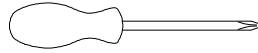


LED Light 1set

27

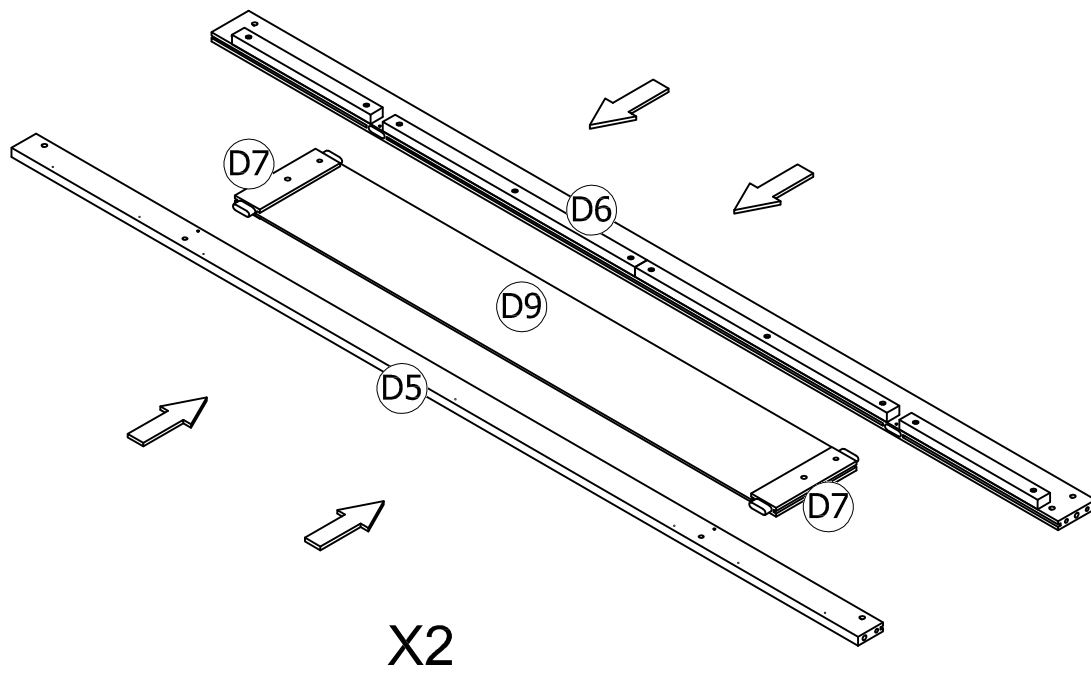


M3 x 10 mm
Wood Screws 2pcs

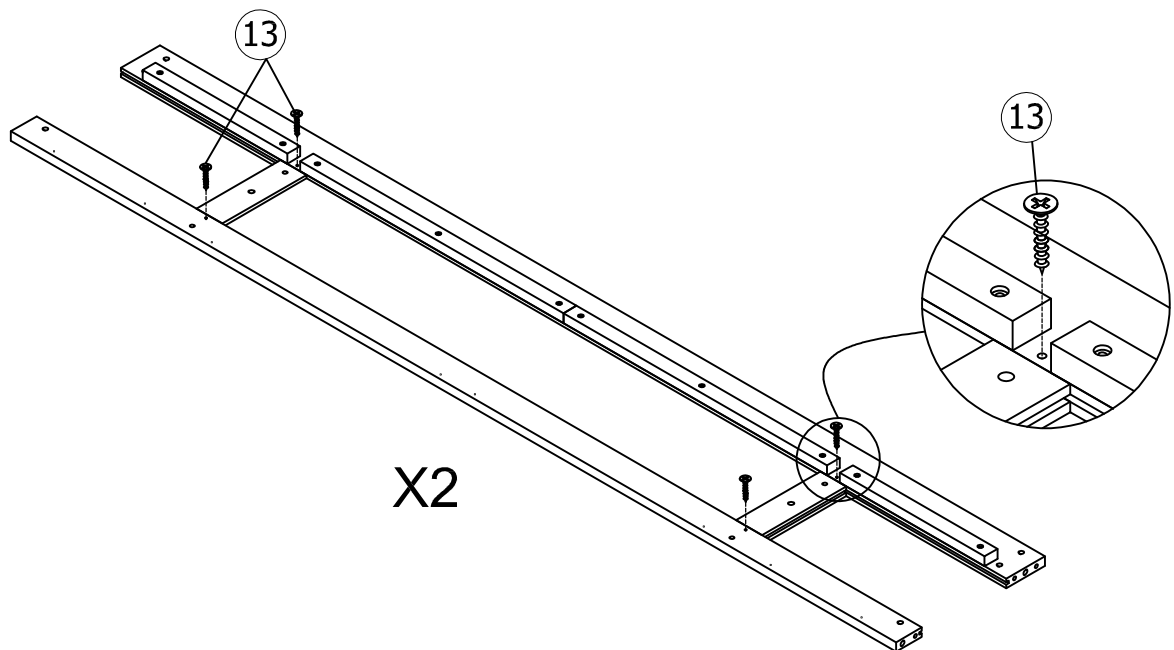


Assembly Tools Required (Not Included)

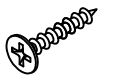
STEP1: Following below illustration.



STEP2: Following below illustration.

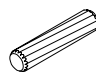
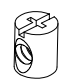
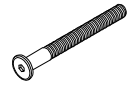


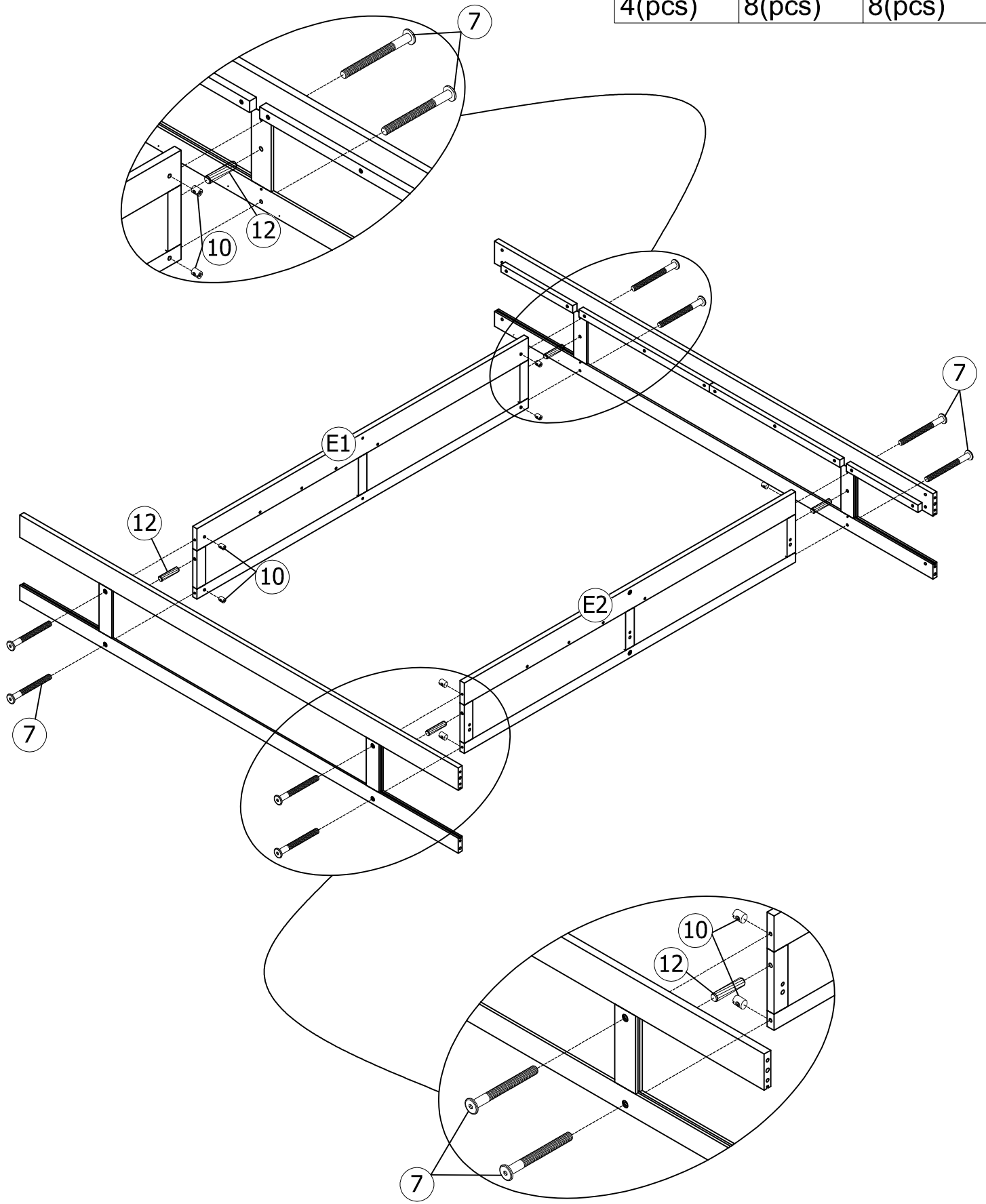
13



8(pcs)

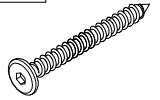
STEP3: Following below illustration.

12	10	7
		
4(pcs)	8(pcs)	8(pcs)

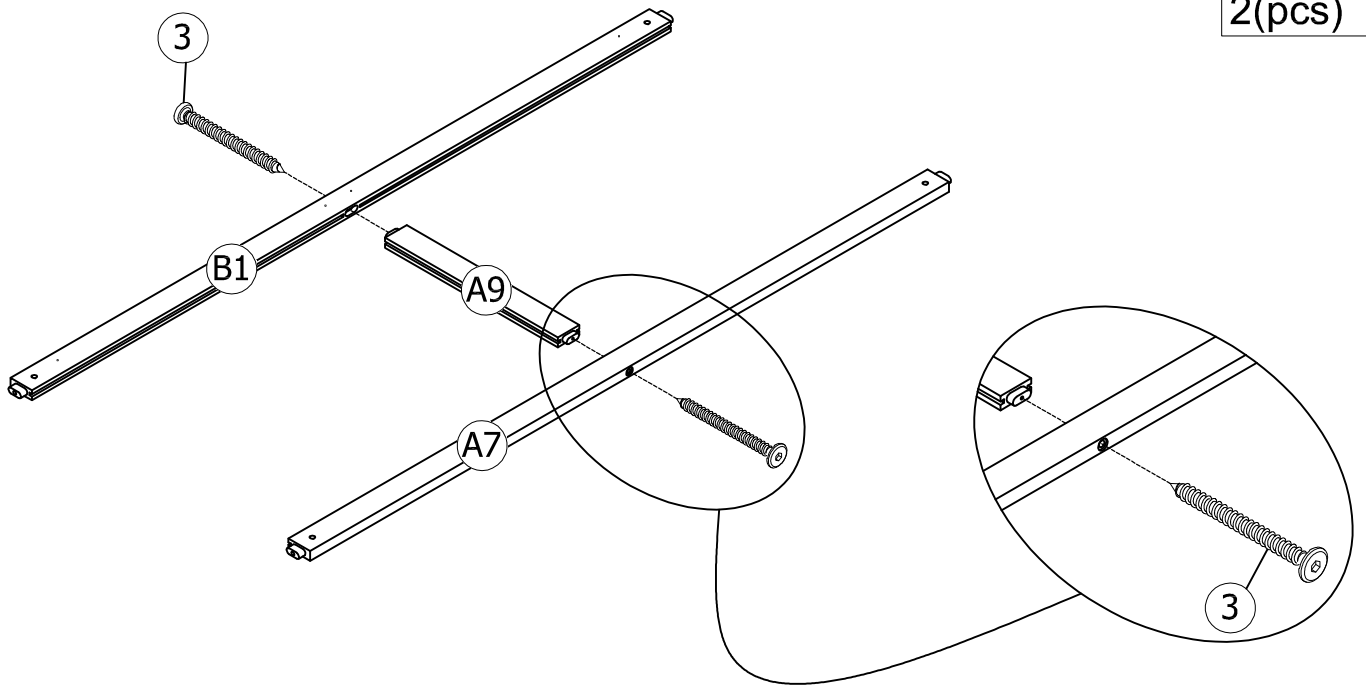


STEP4: Following below illustration.

3



2(pcs)



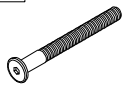
STEP5: Following below illustration.

10

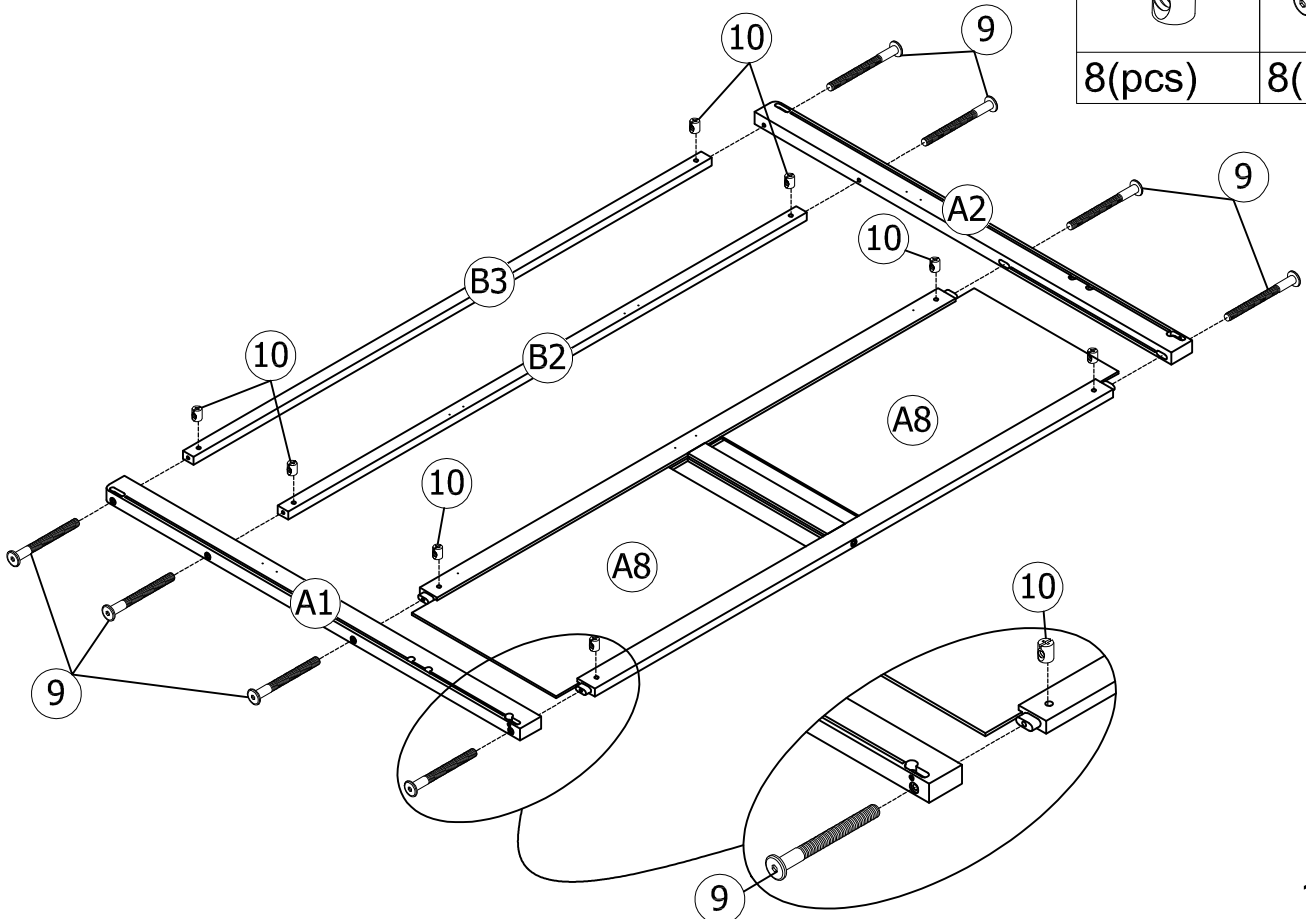


8(pcs)

9

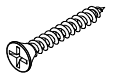


8(pcs)

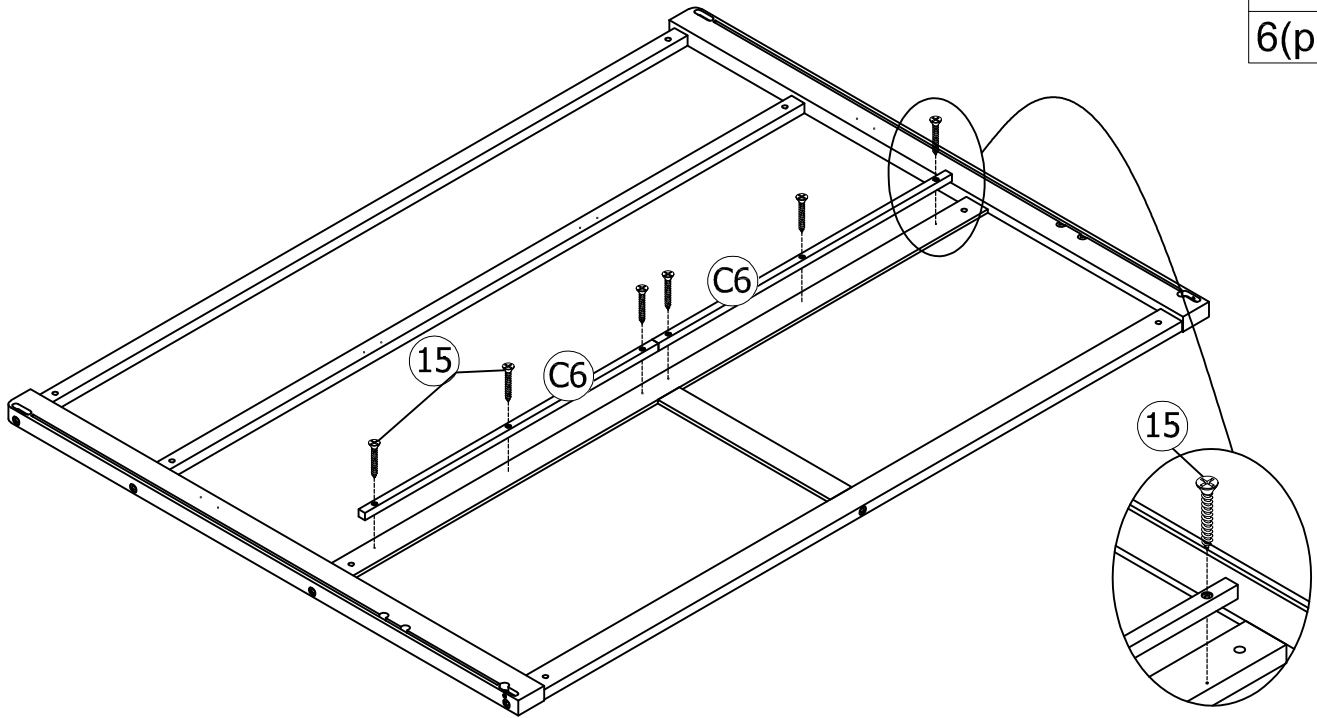


STEP6: Following below illustration.

15

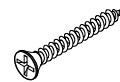


6(pcs)



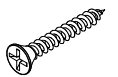
STEP7: Following below illustration.

16

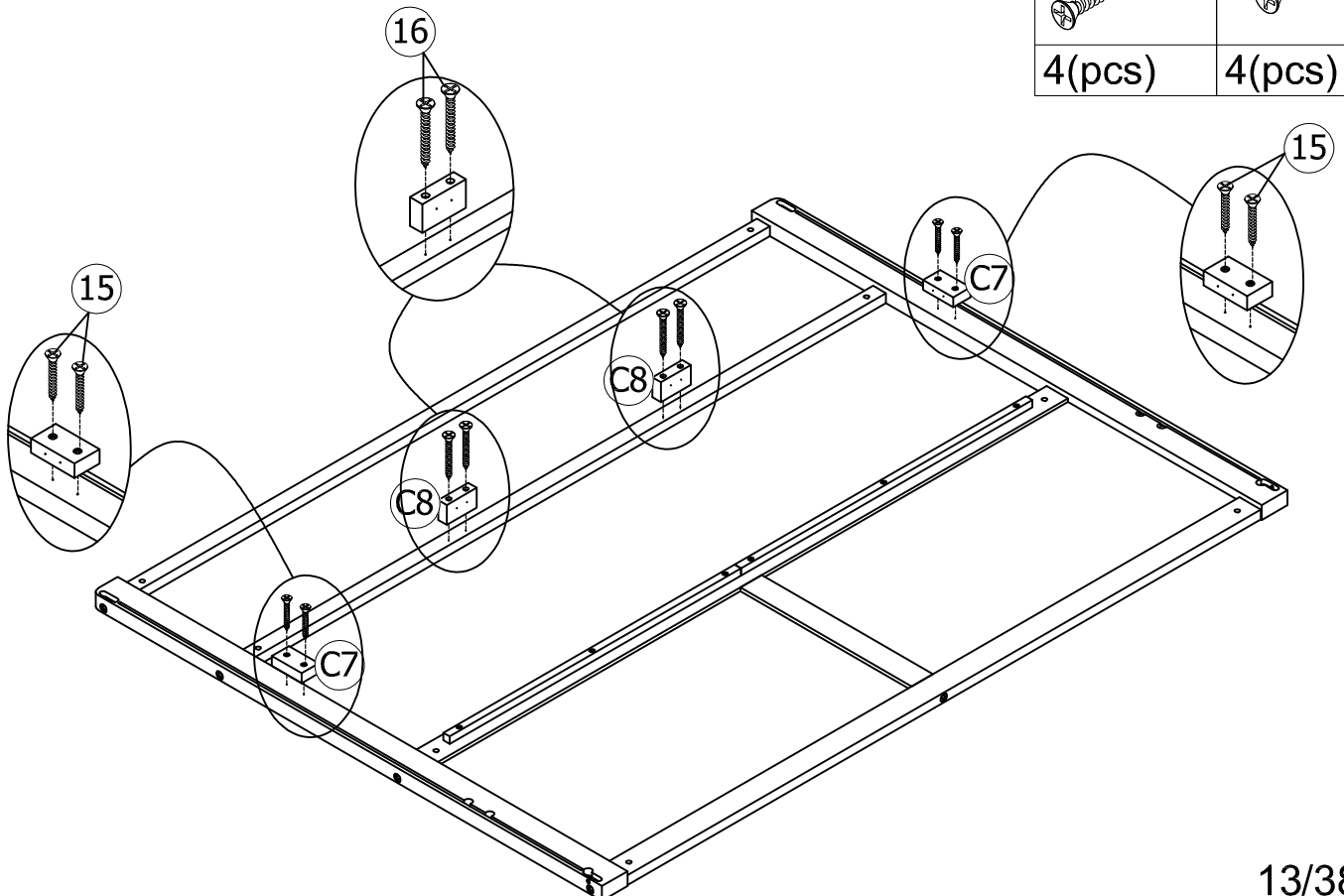


4(pcs)

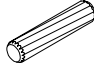


15

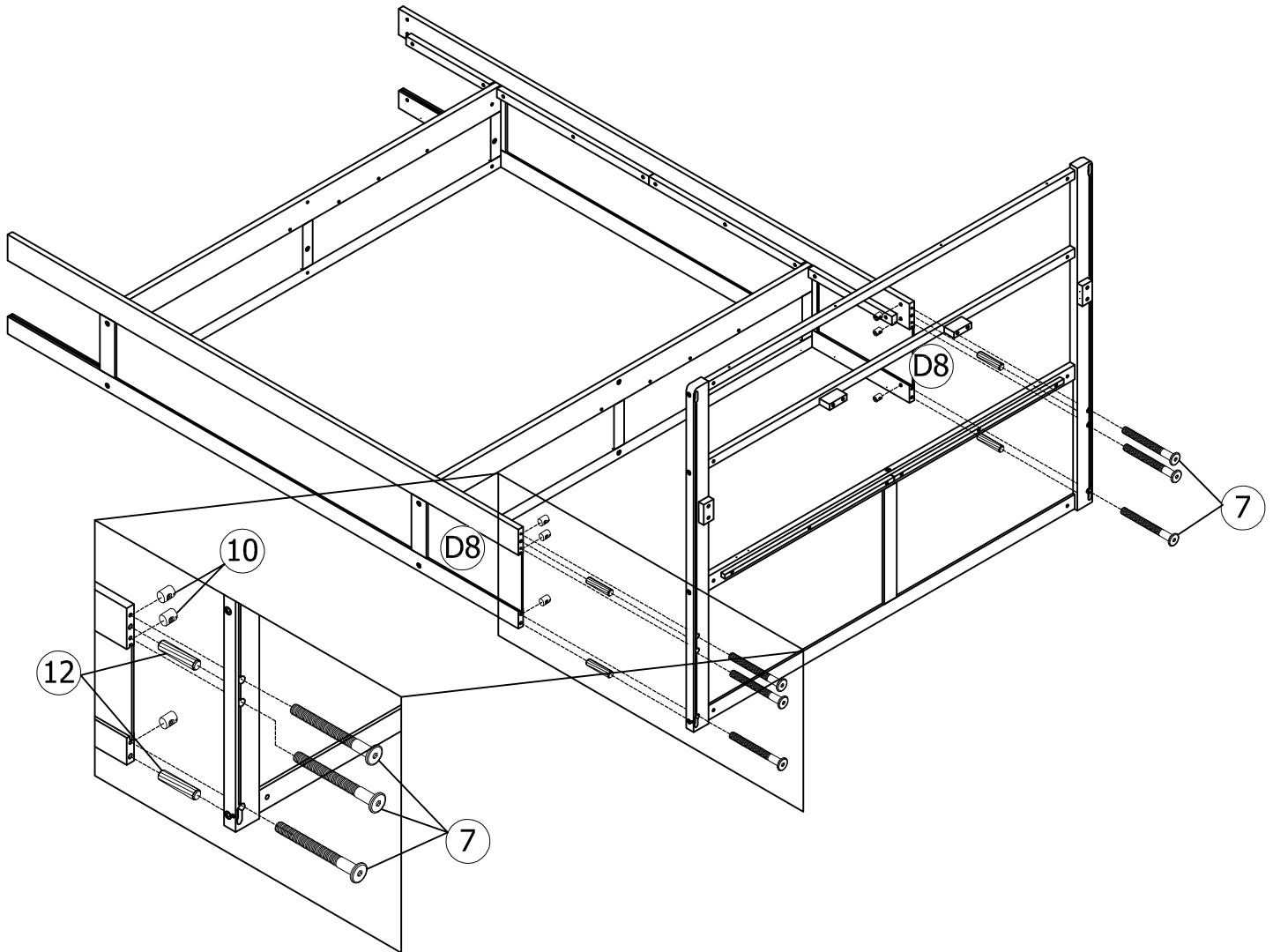


4(pcs)



STEP8: Following below illustration.

12	10	7
		
4(pcs)	6(pcs)	6(pcs)

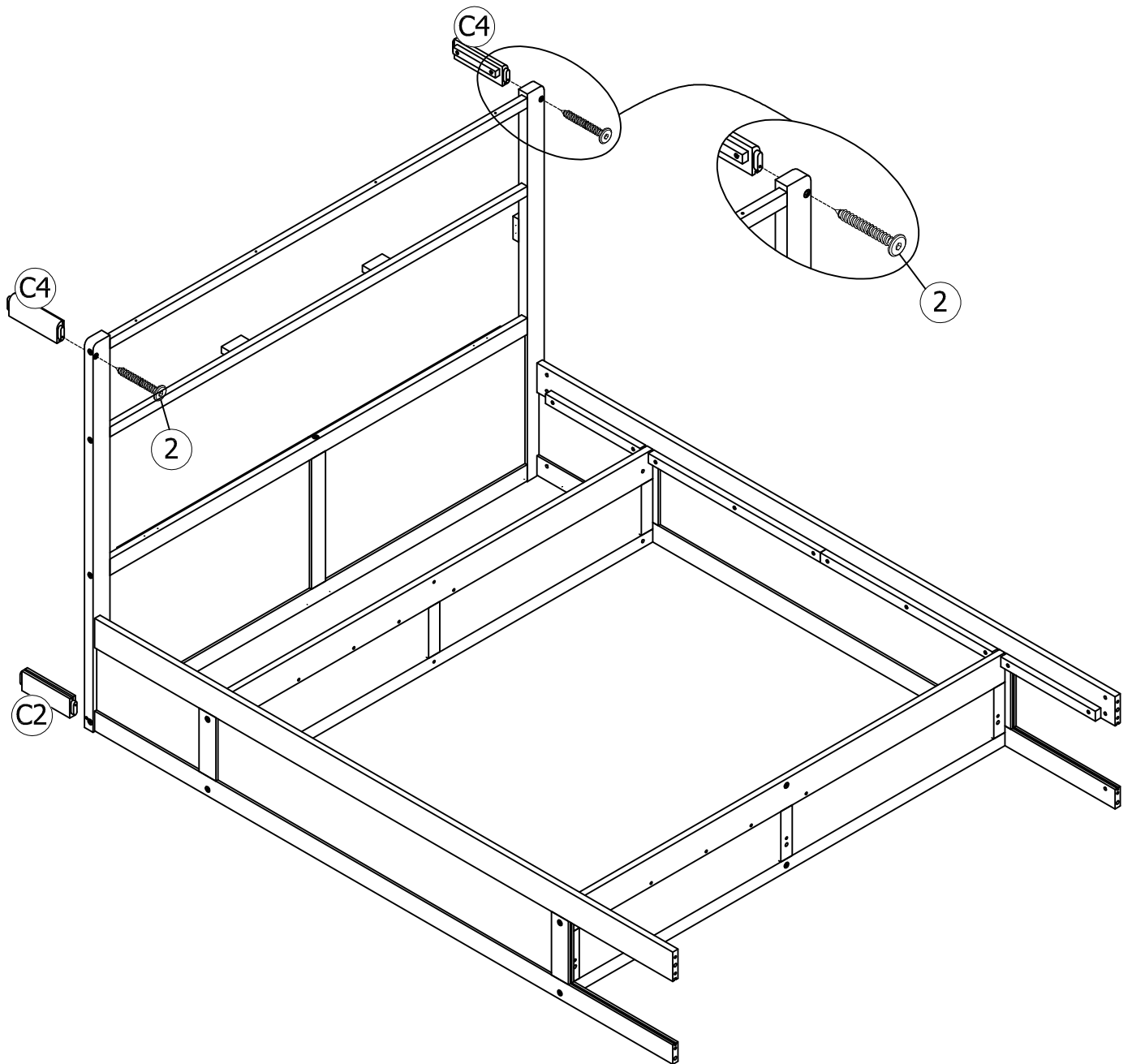


STEP9: Following below illustration.

2

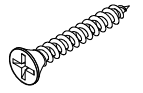


2(pcs)

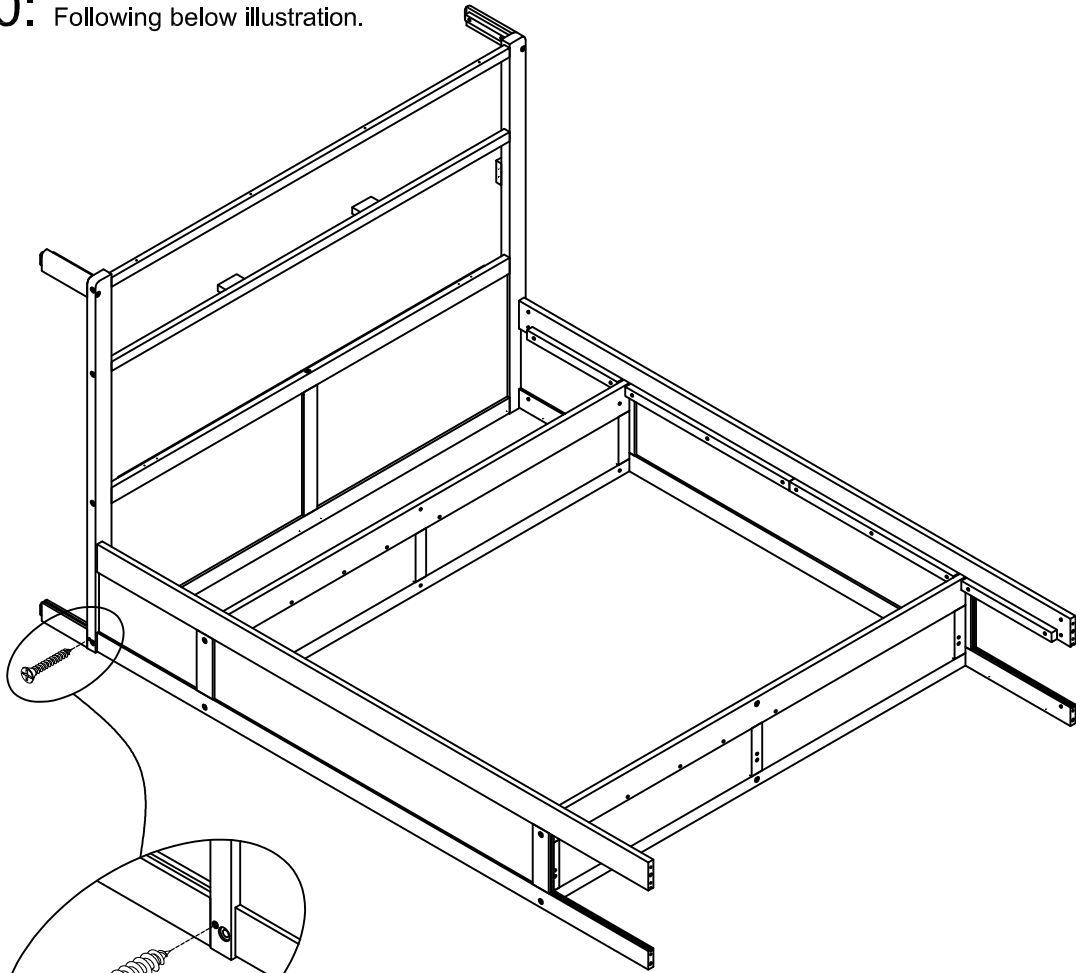


STEP10: Following below illustration.

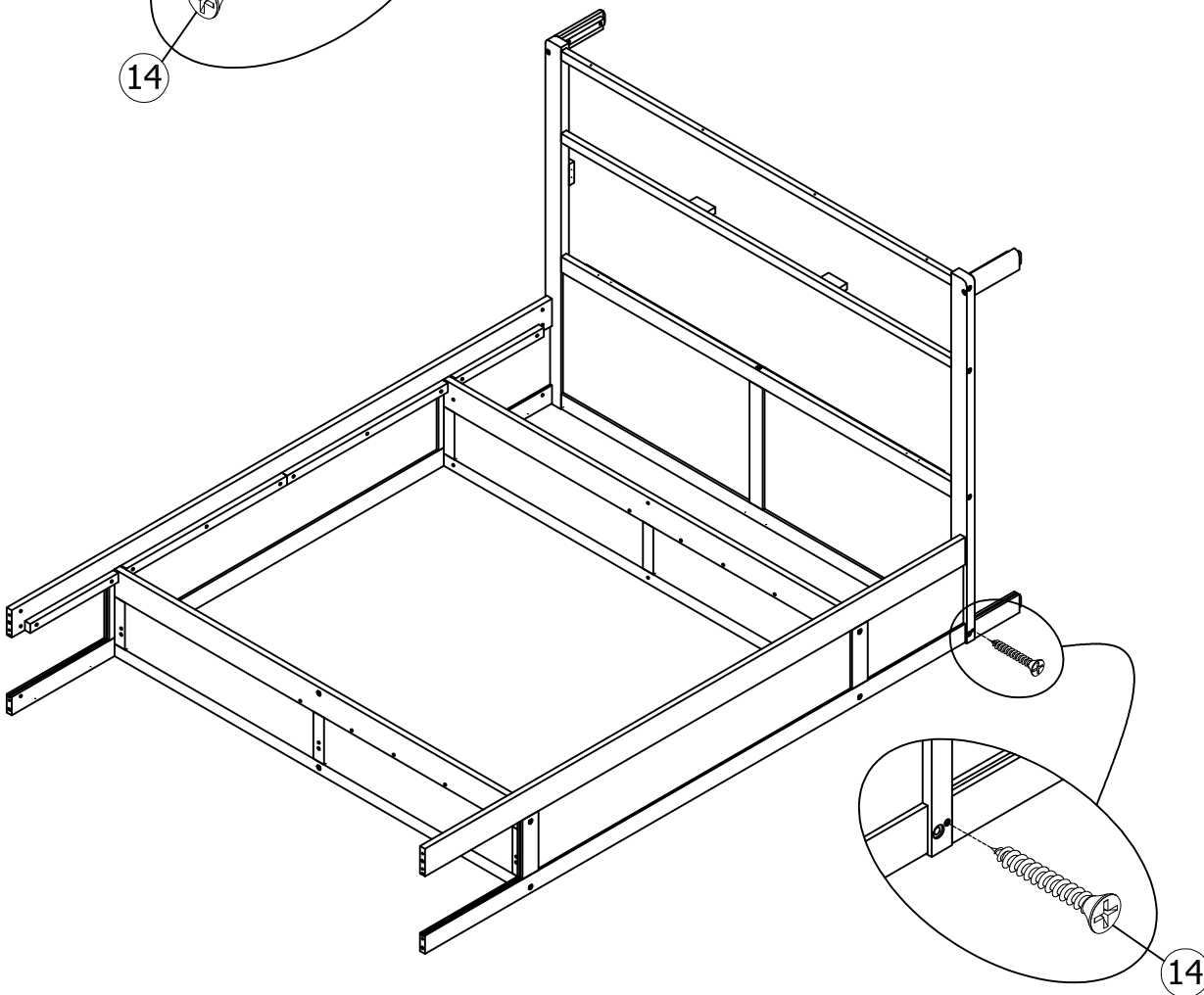
14



2(pcs)

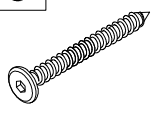


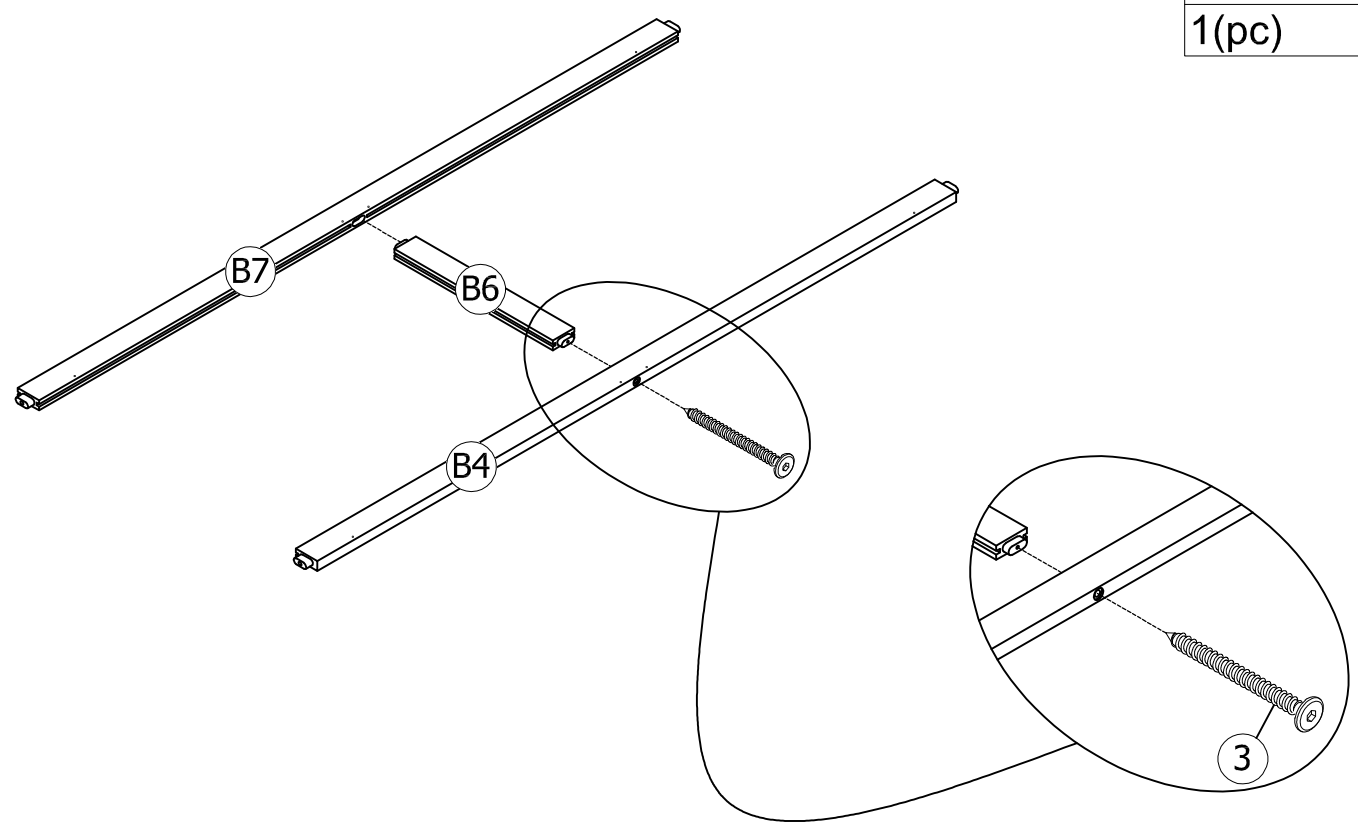
14




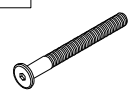
14

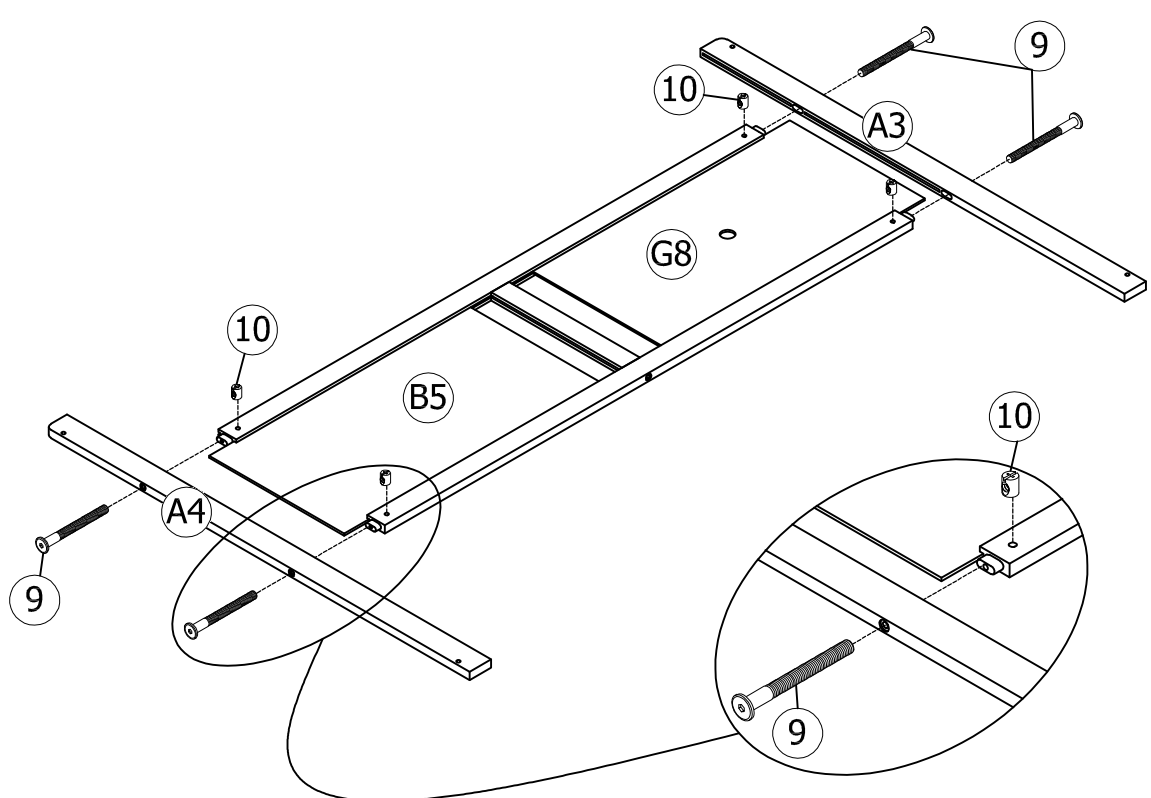
STEP11: Following below illustration.

3

1(pc)



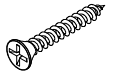
STEP12: Following below illustration.

10	9
	
4(pcs)	4(pcs)

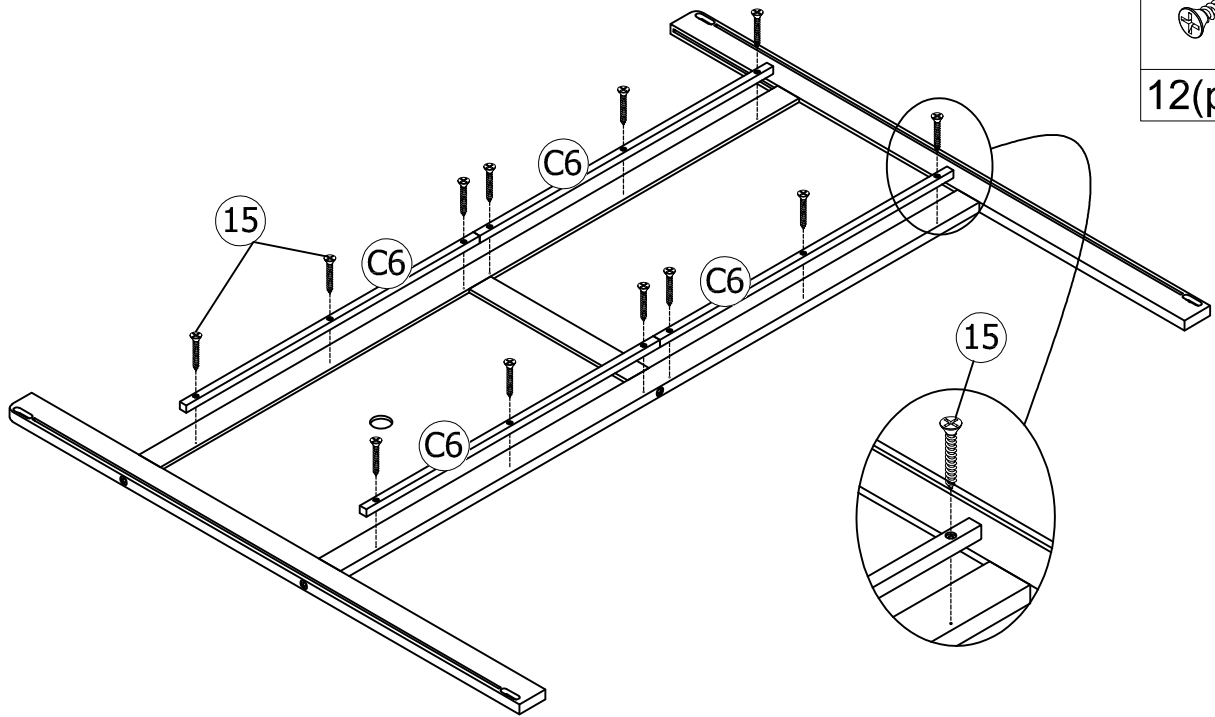


STEP13: Following below illustration.

15



12(pcs)

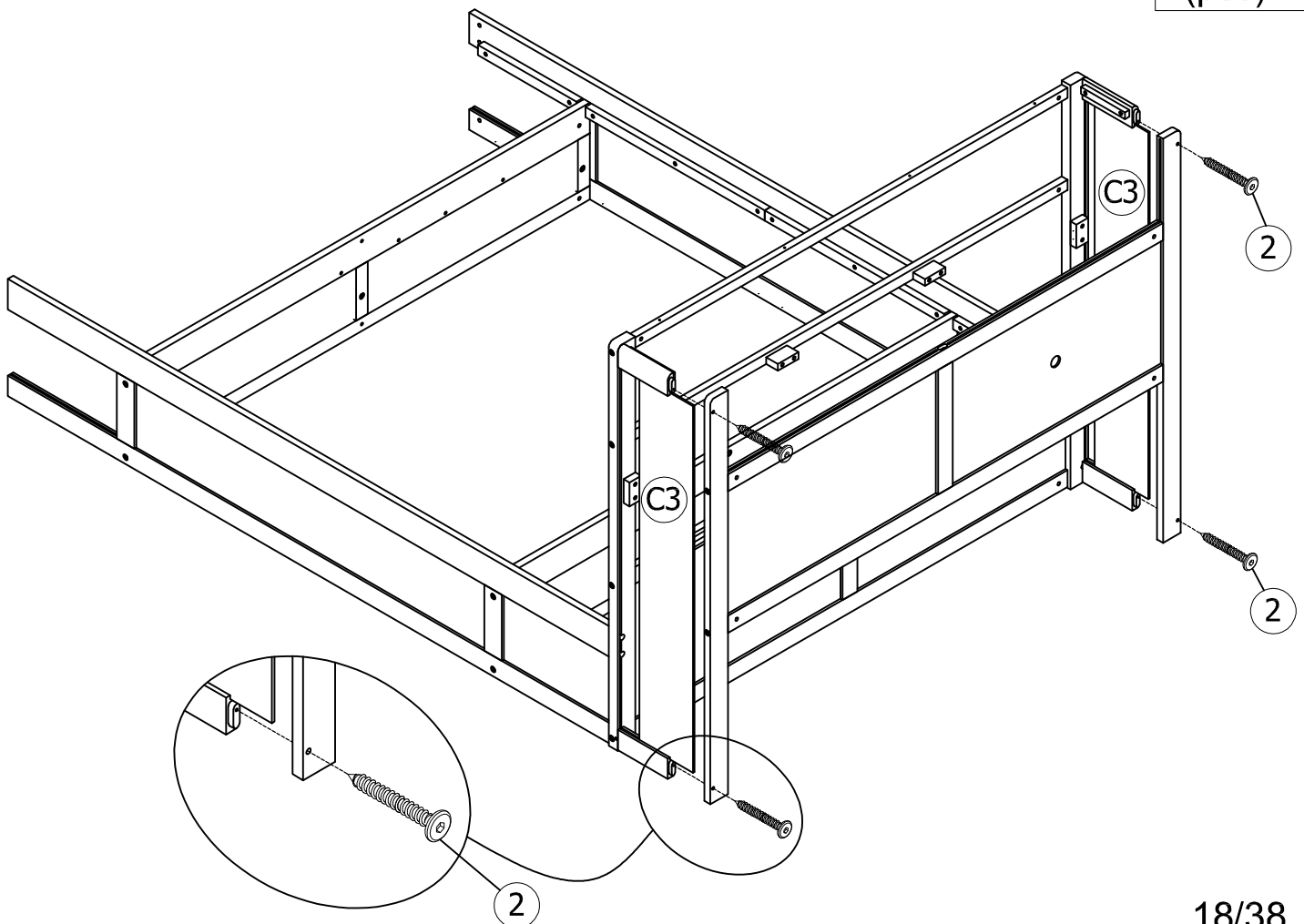


STEP14: Following below illustration.

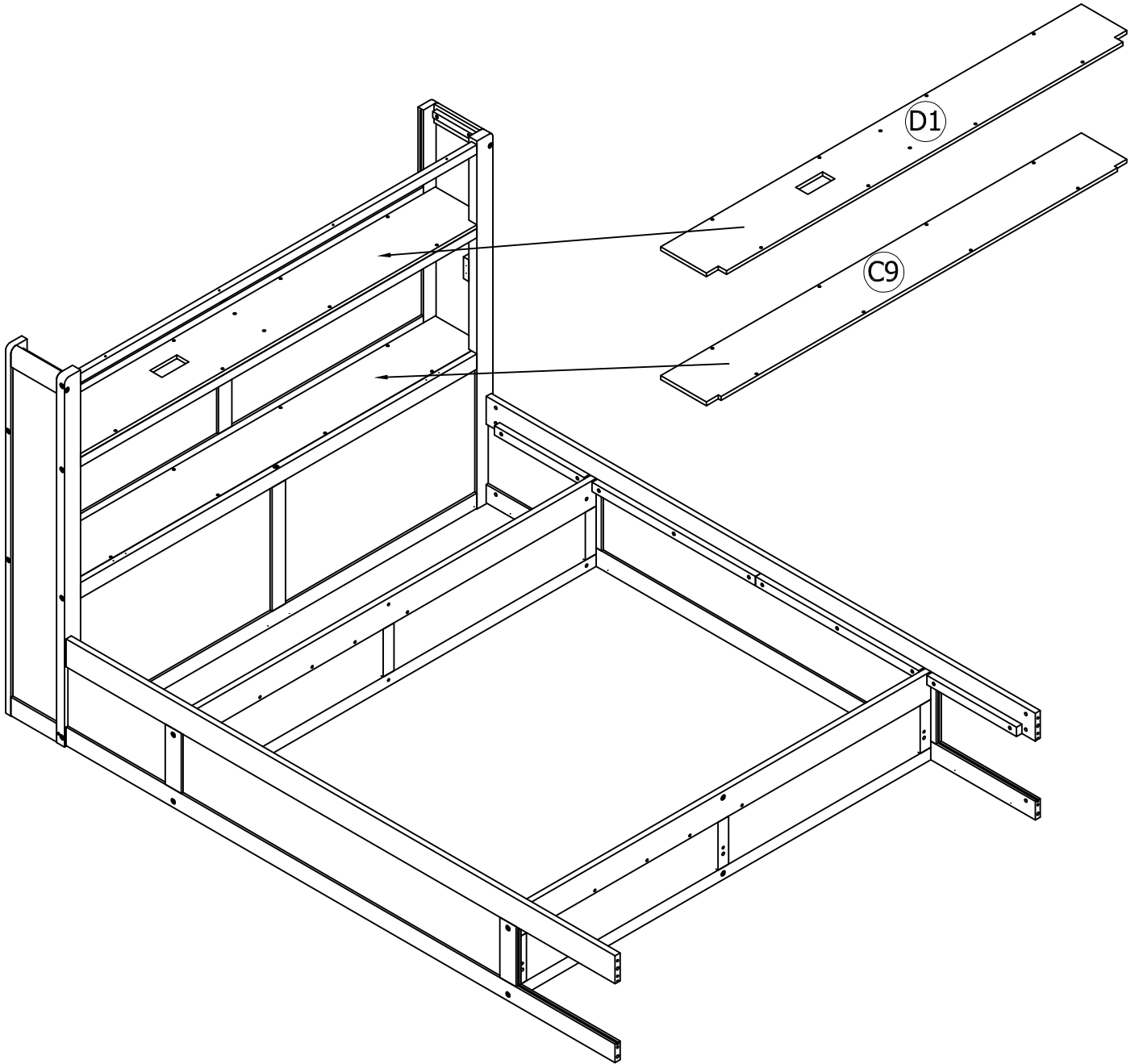
2



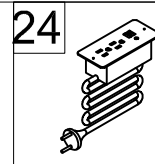
4(pcs)



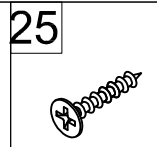
STEP15: Following below illustration.



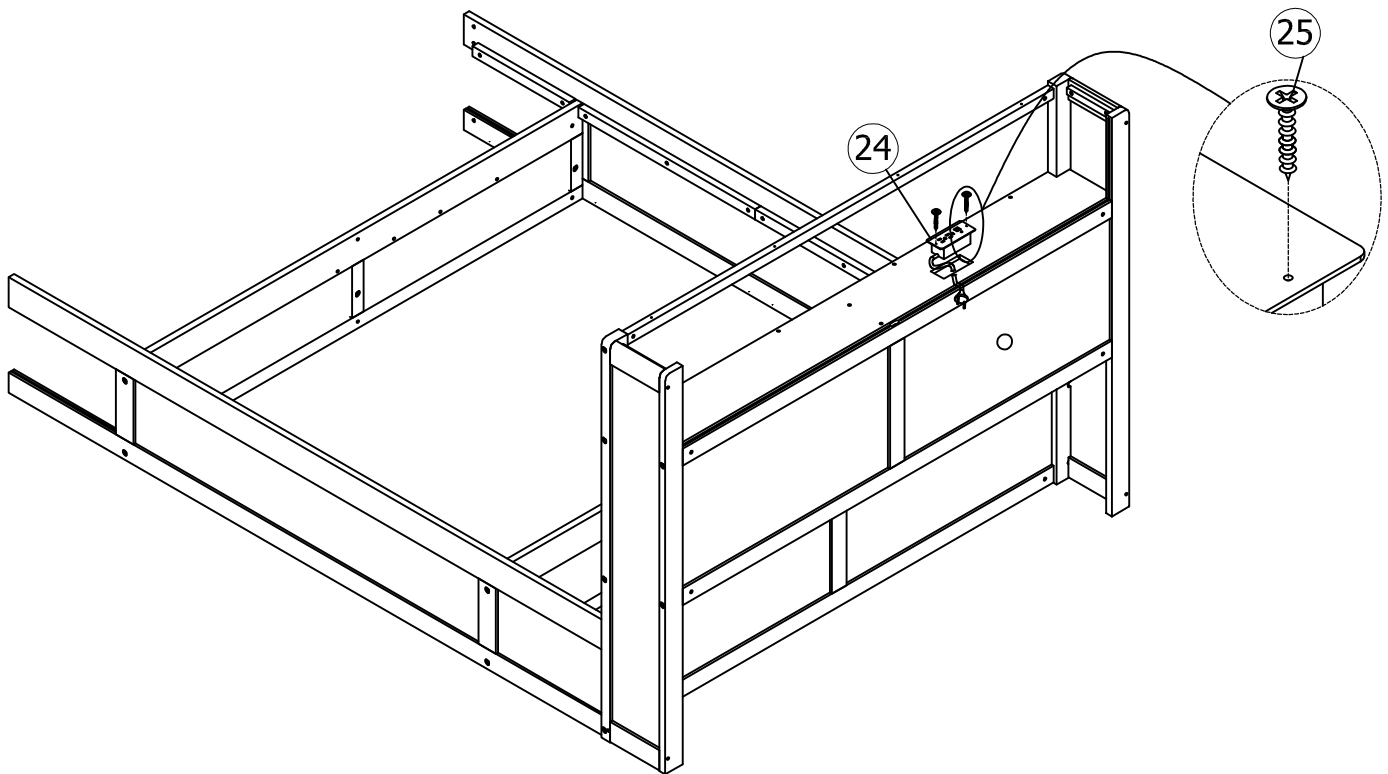
STEP16: Following below illustration.



1(pc)

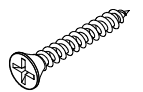


2(pcs)

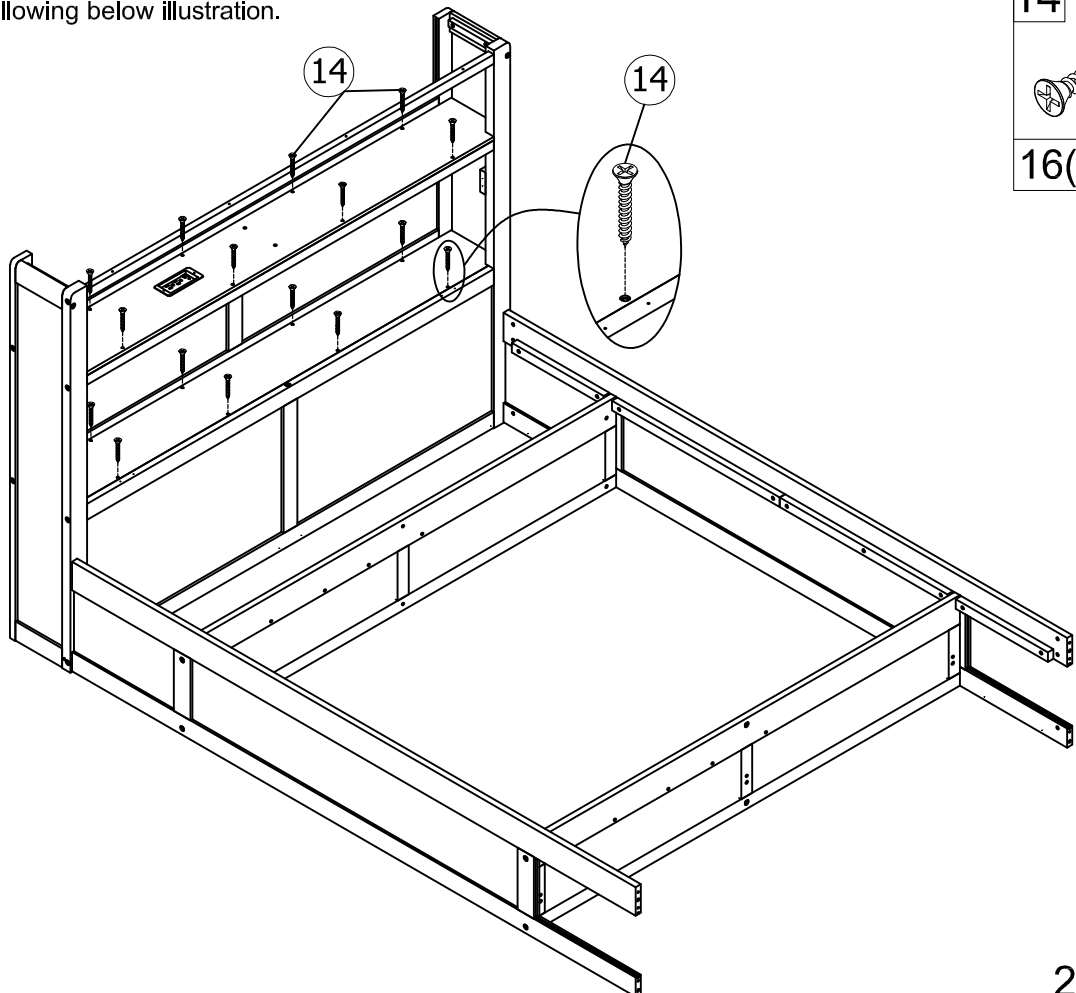


STEP17: Following below illustration.

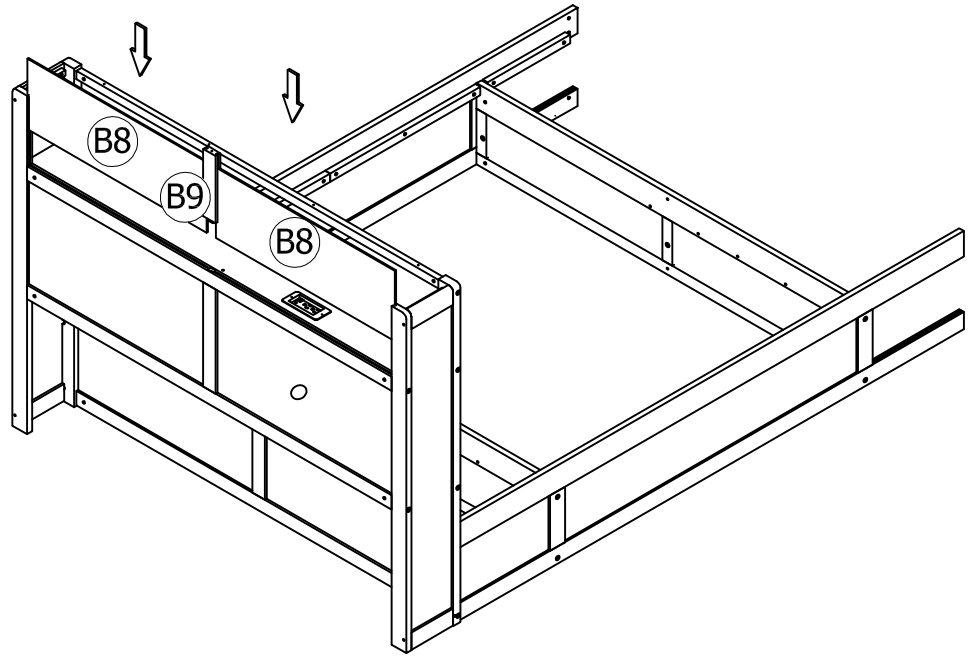
14



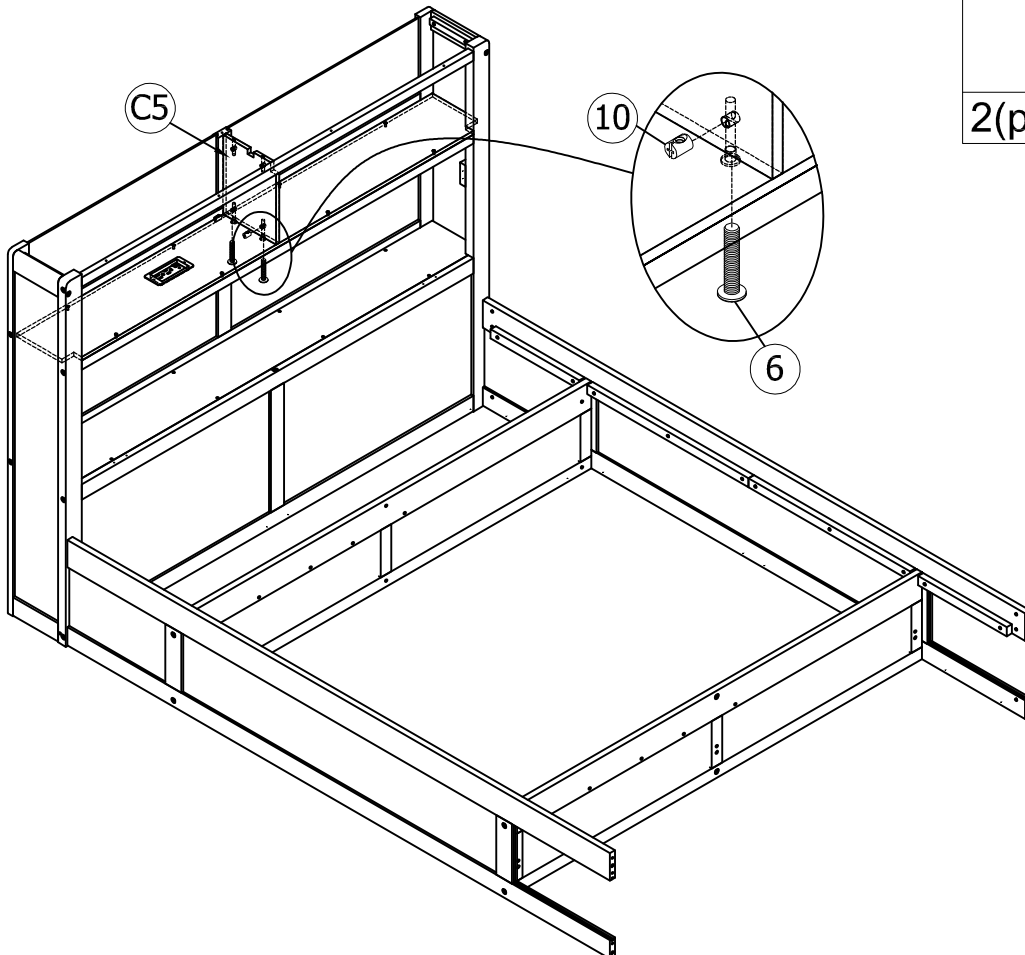
16(pcs)


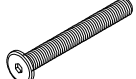


STEP18: Following below illustration.

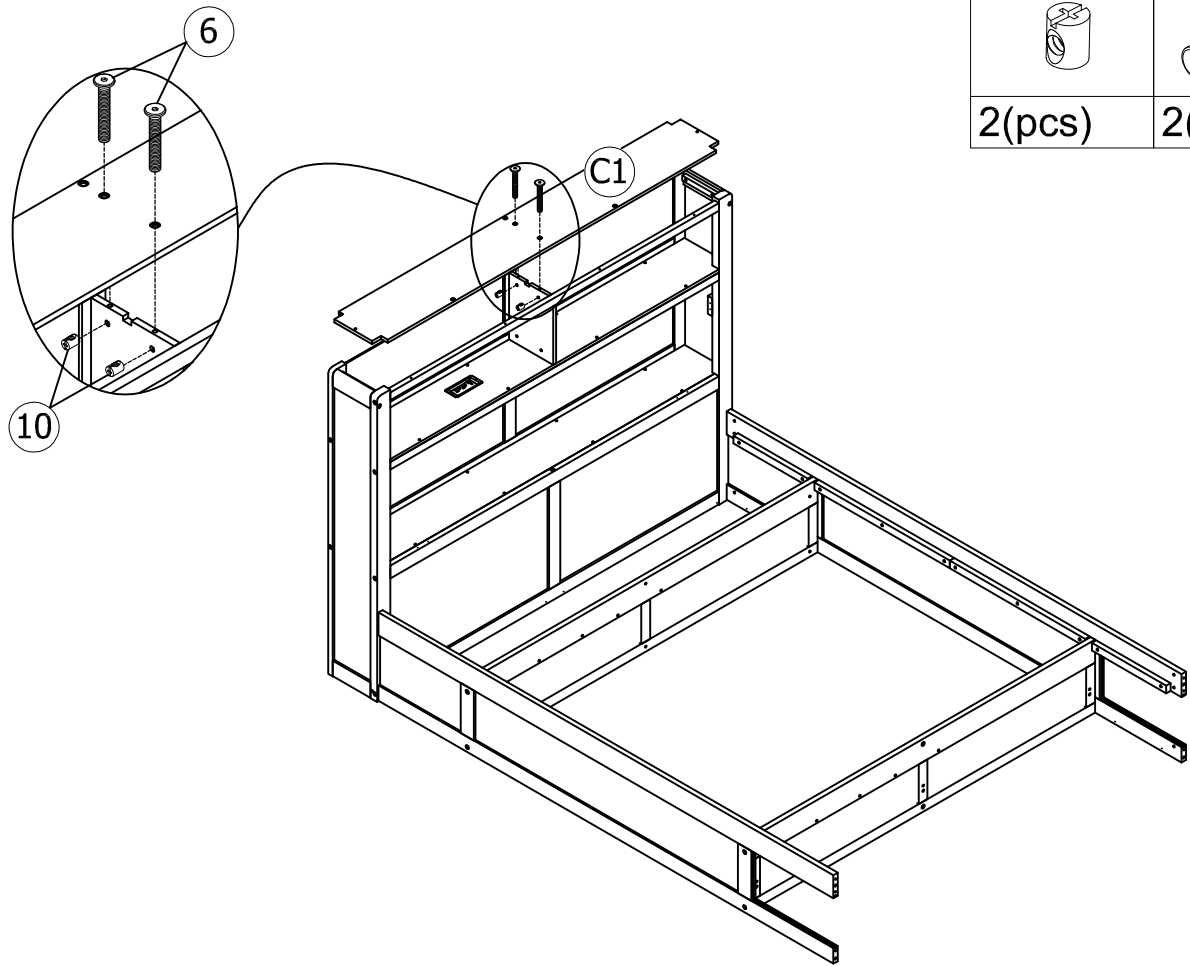



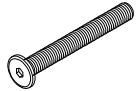
STEP19: Following below illustration.



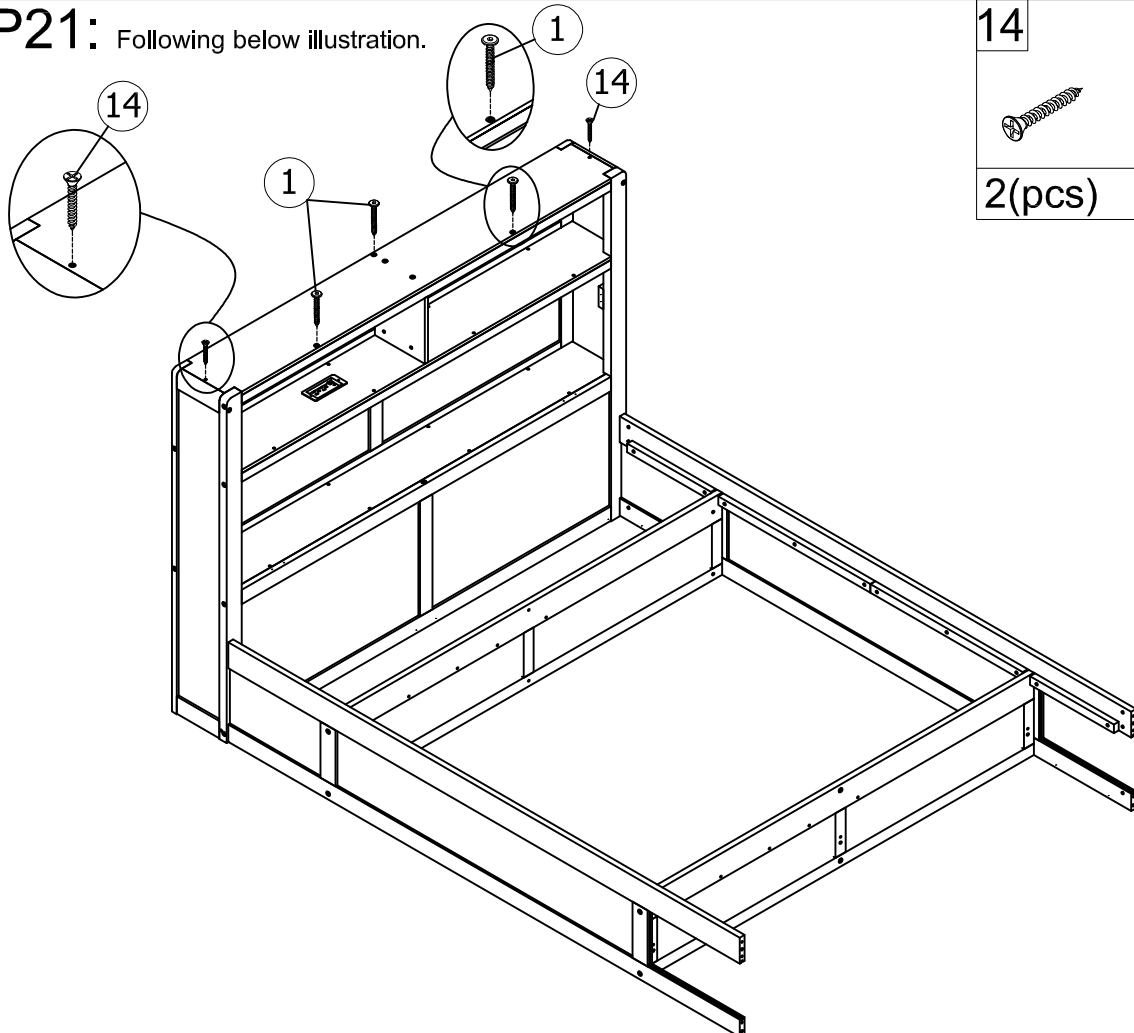
10	6
	
2(pcs)	2(pcs)

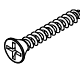
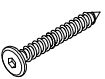
STEP20: Following below illustration.



10	6
	
2(pcs)	2(pcs)

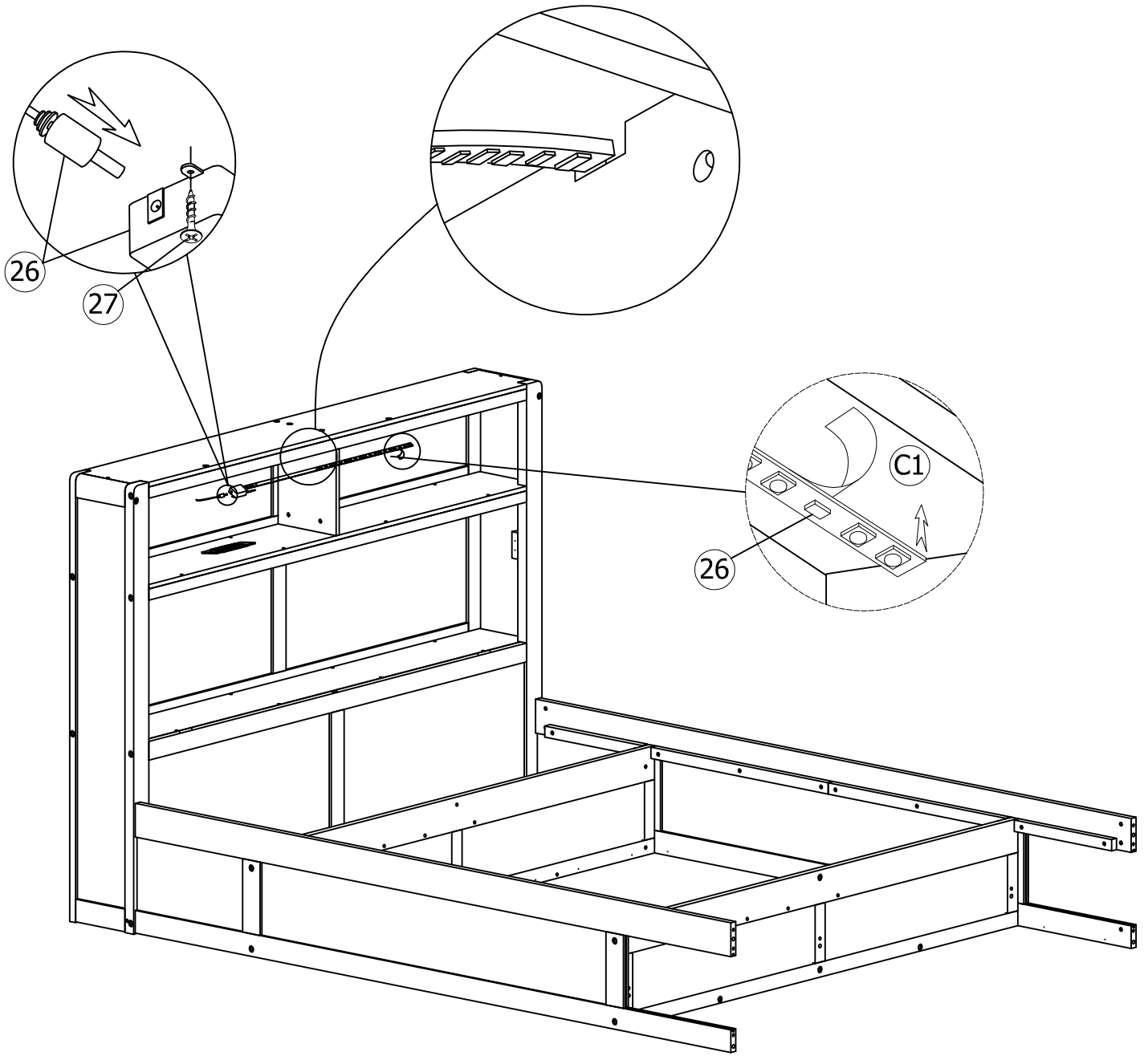
STEP21: Following below illustration.



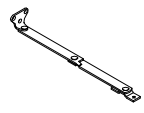
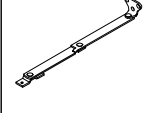

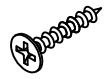
14	1
	
2(pcs)	3(pcs)

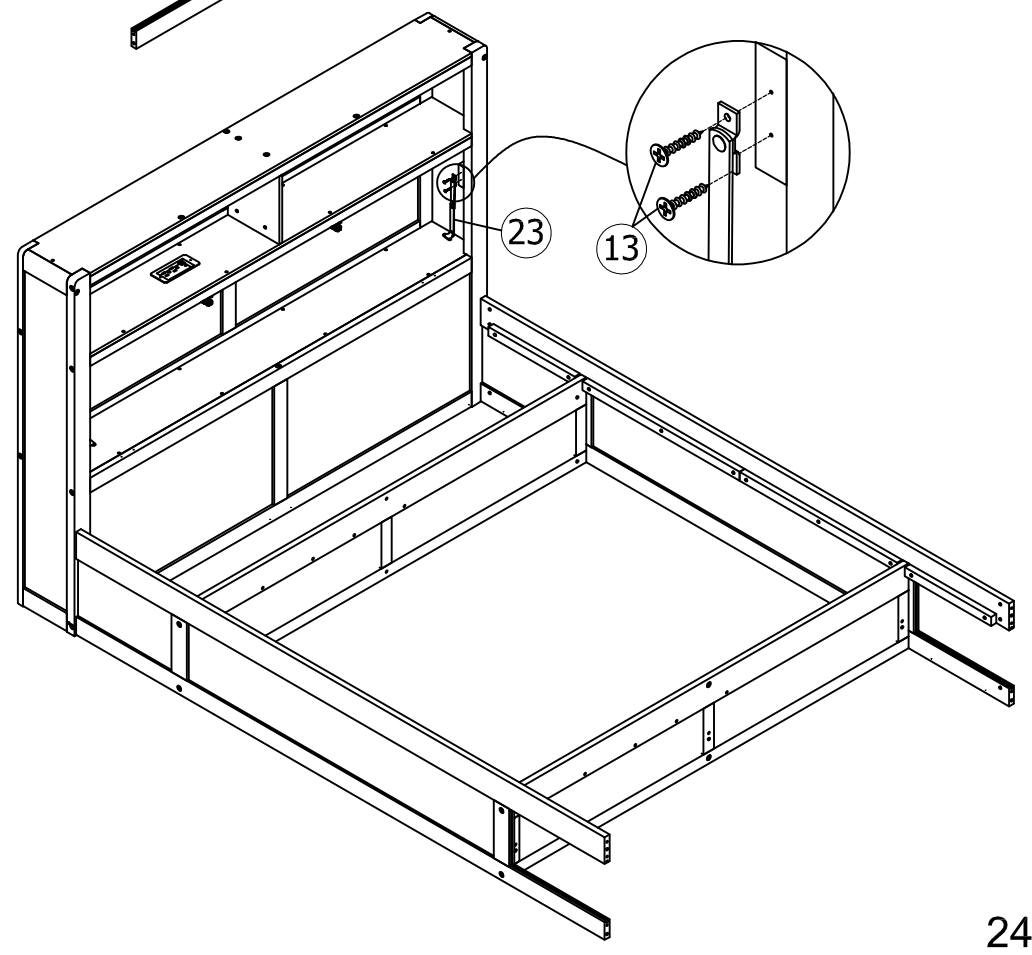
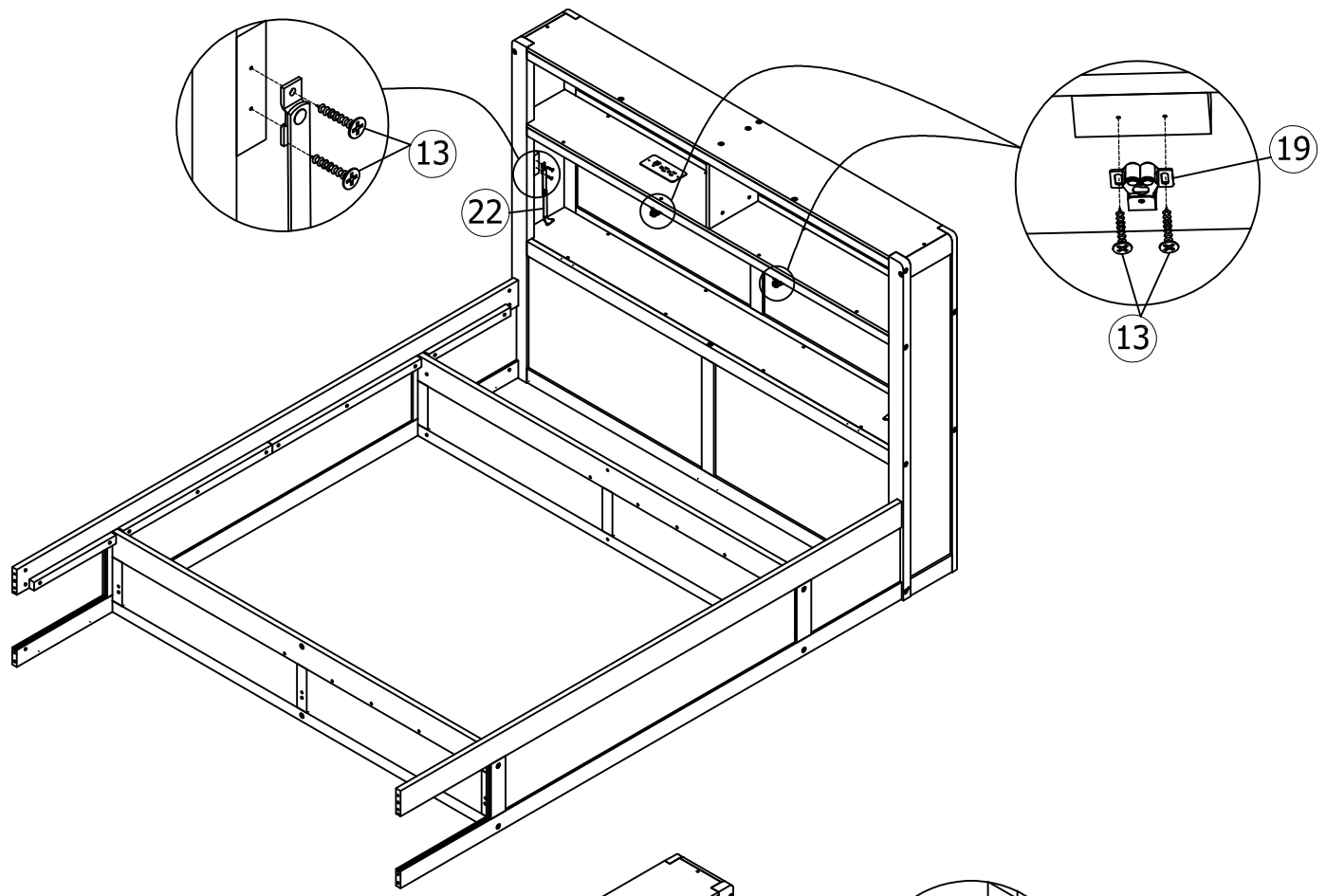
STEP22: Following below illustration.

26	27
1(Set)	2(pcs)

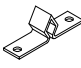
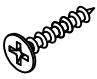


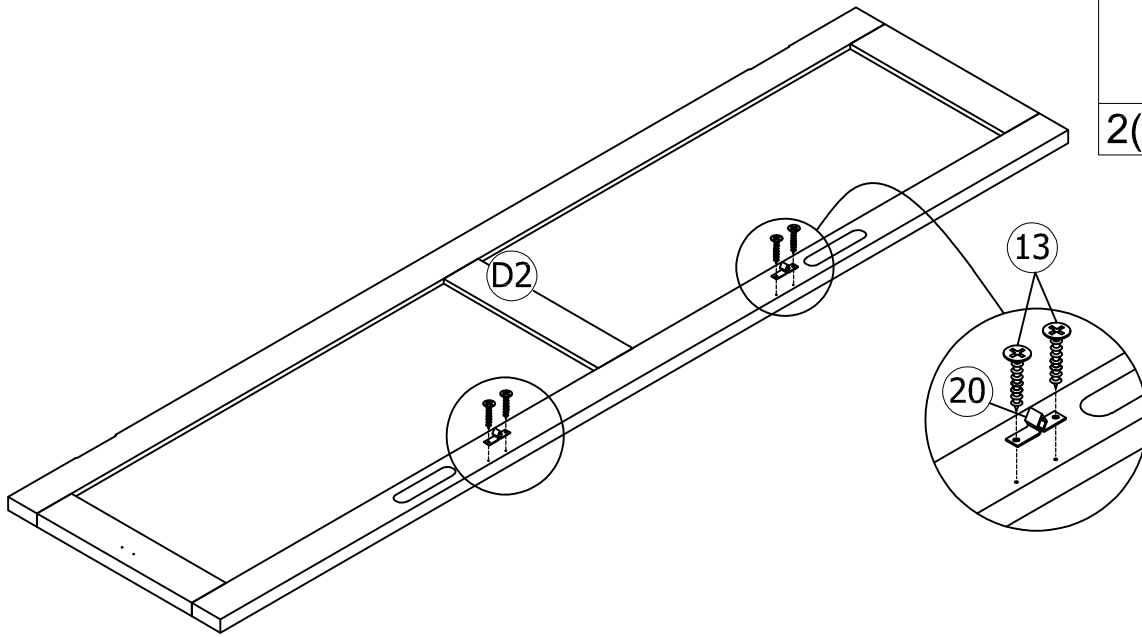
STEP23: Following below illustration.

23	22	19	13
			
1(pc)	1(pc)	2(pcs)	8(pcs)

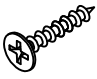


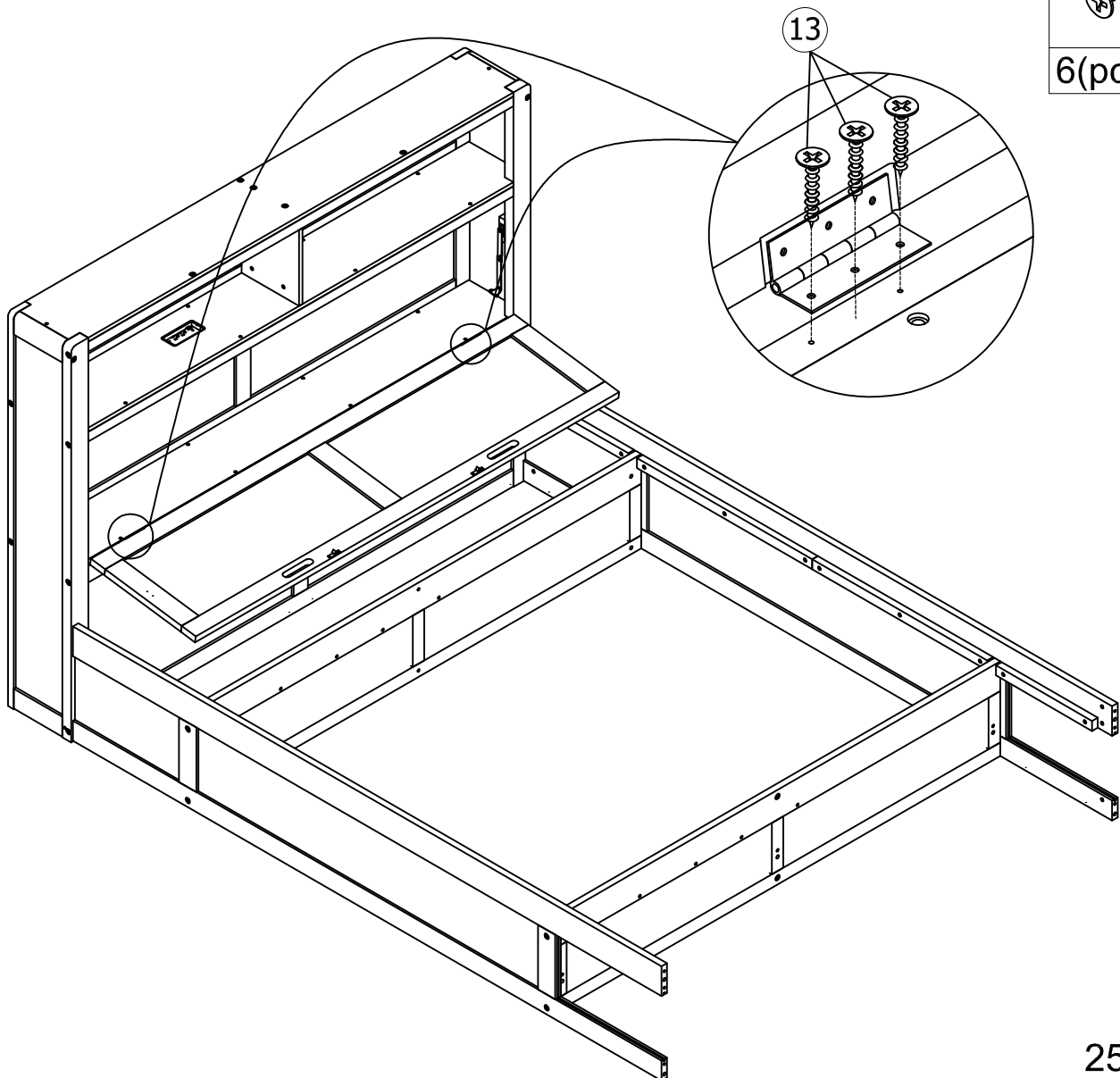
STEP24: Following below illustration.

20	13
	
2(pcs)	4(pcs)



STEP25: Following below illustration.

13

6(pcs)

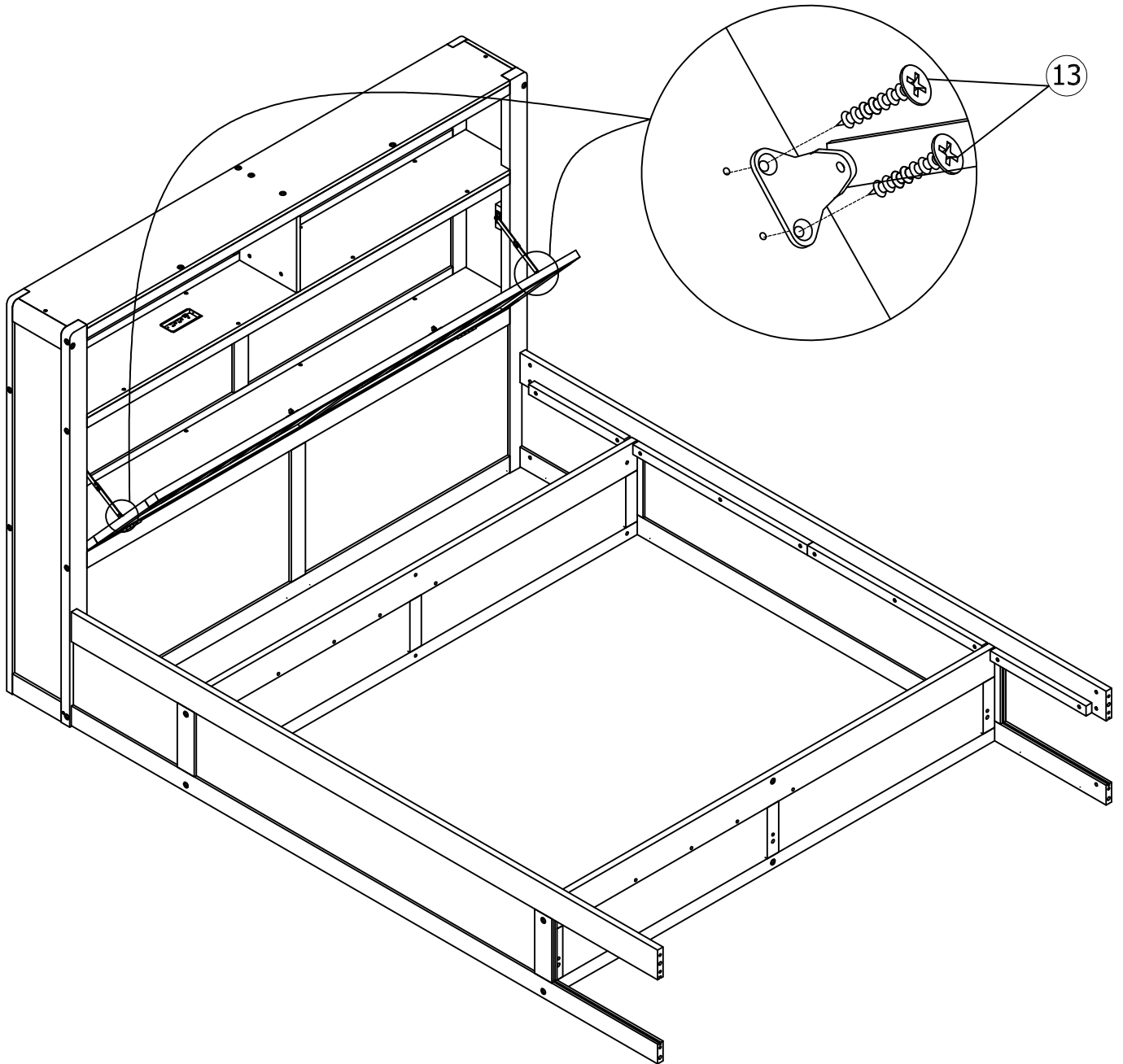


STEP26: Following below illustration.

13



4(pcs)



STEP27: Following below illustration.

12

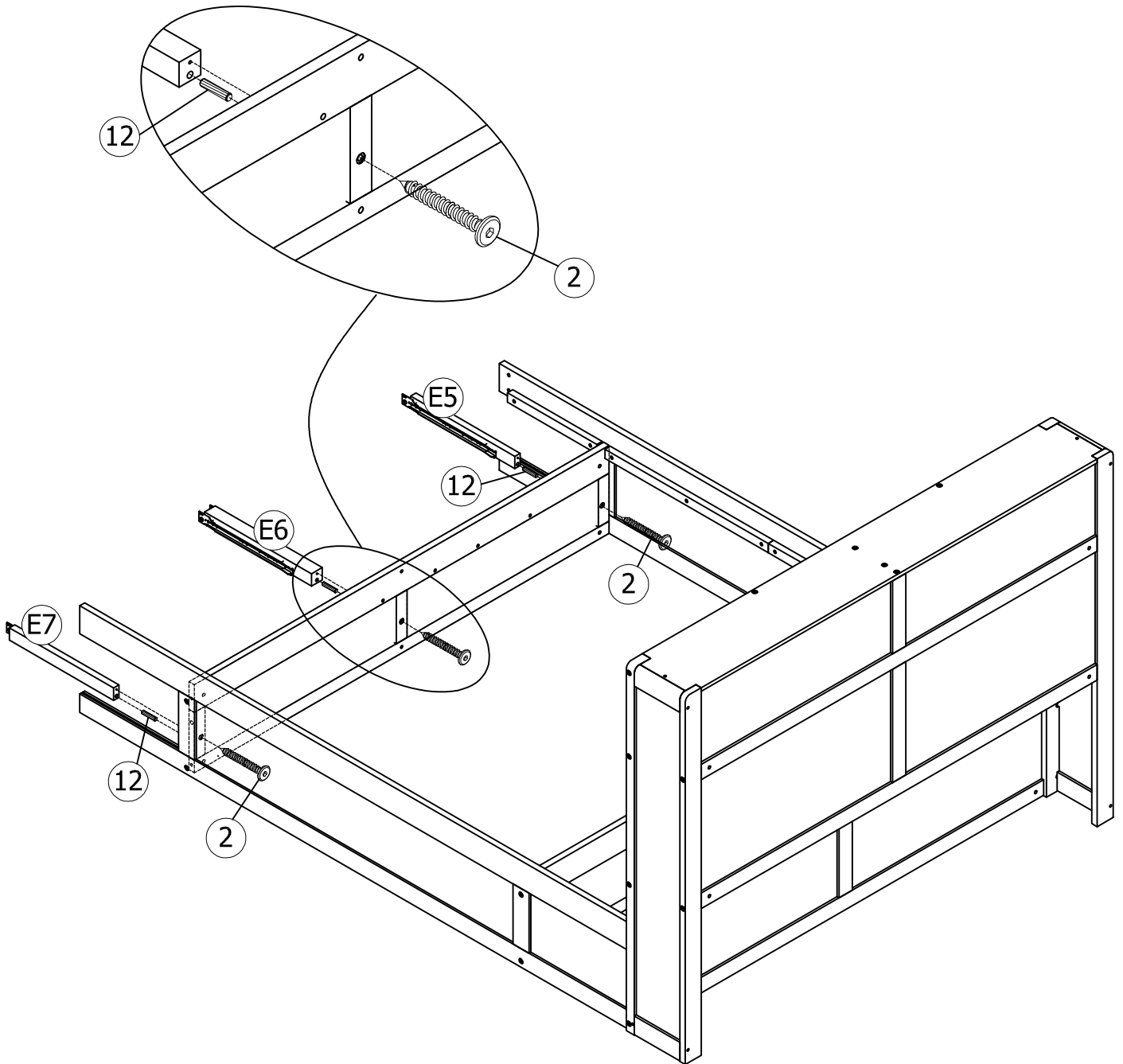


3(pcs)

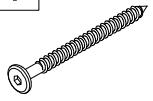
2

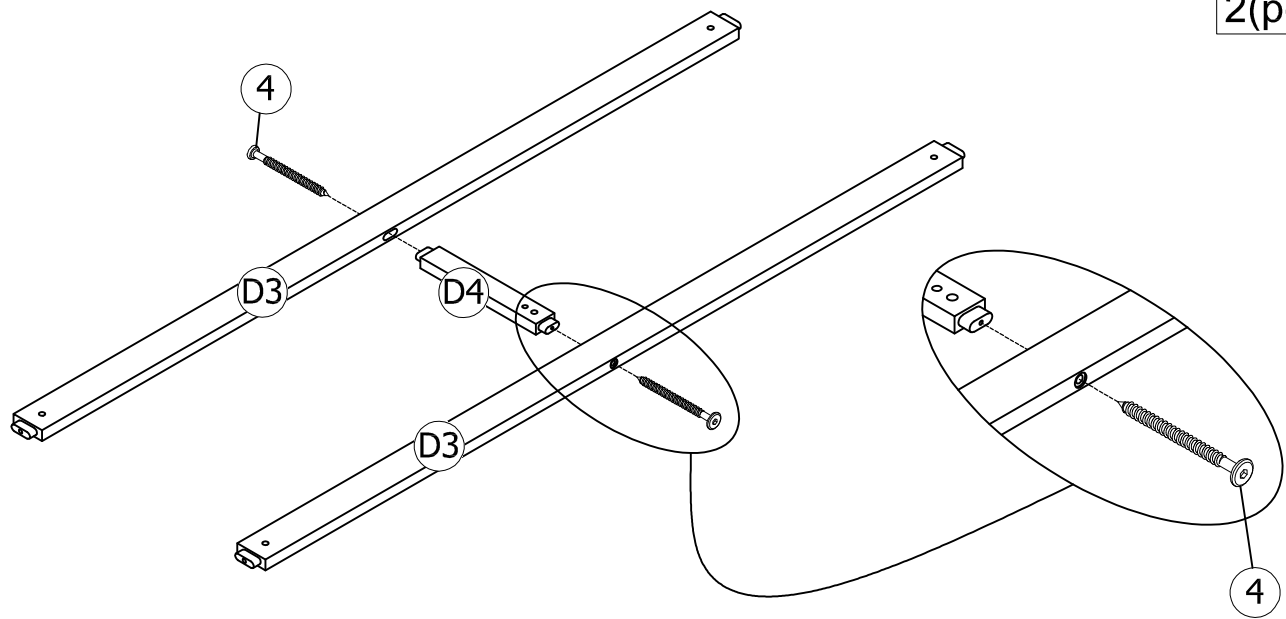


3(pcs)





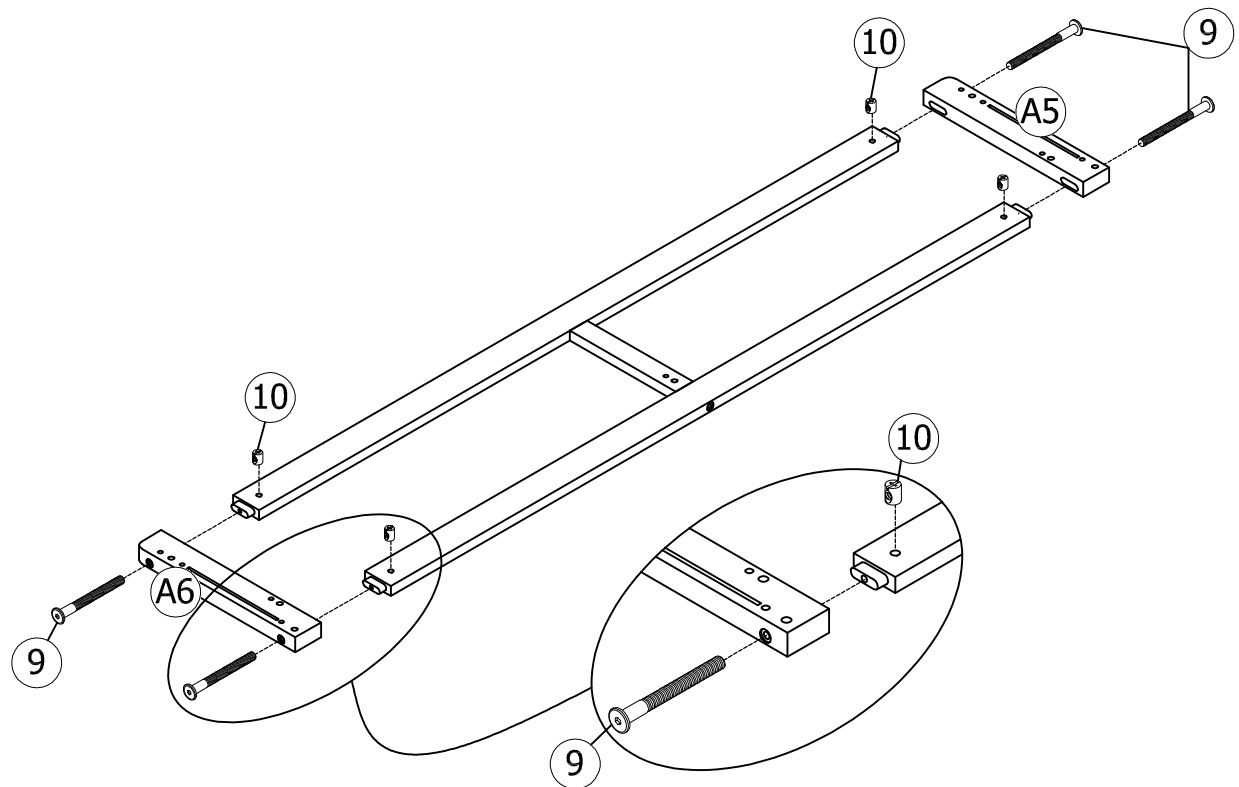
STEP28: Following below illustration.

4

2(pcs)

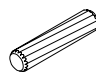
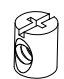
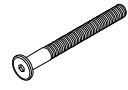
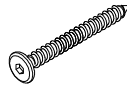
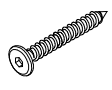


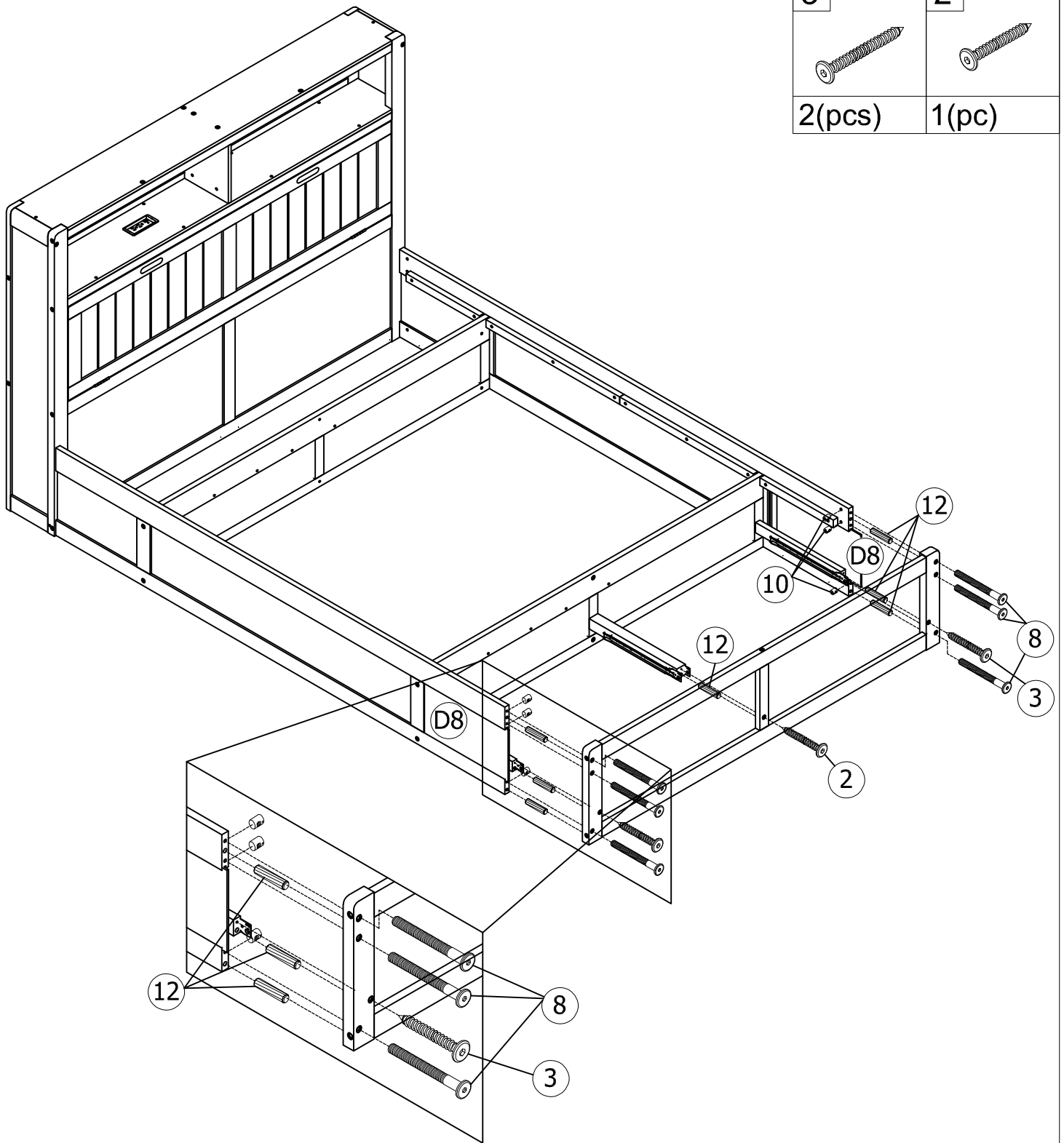
STEP29: Following below illustration.

10	9
	
4(pcs)	4(pcs)


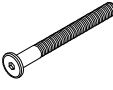


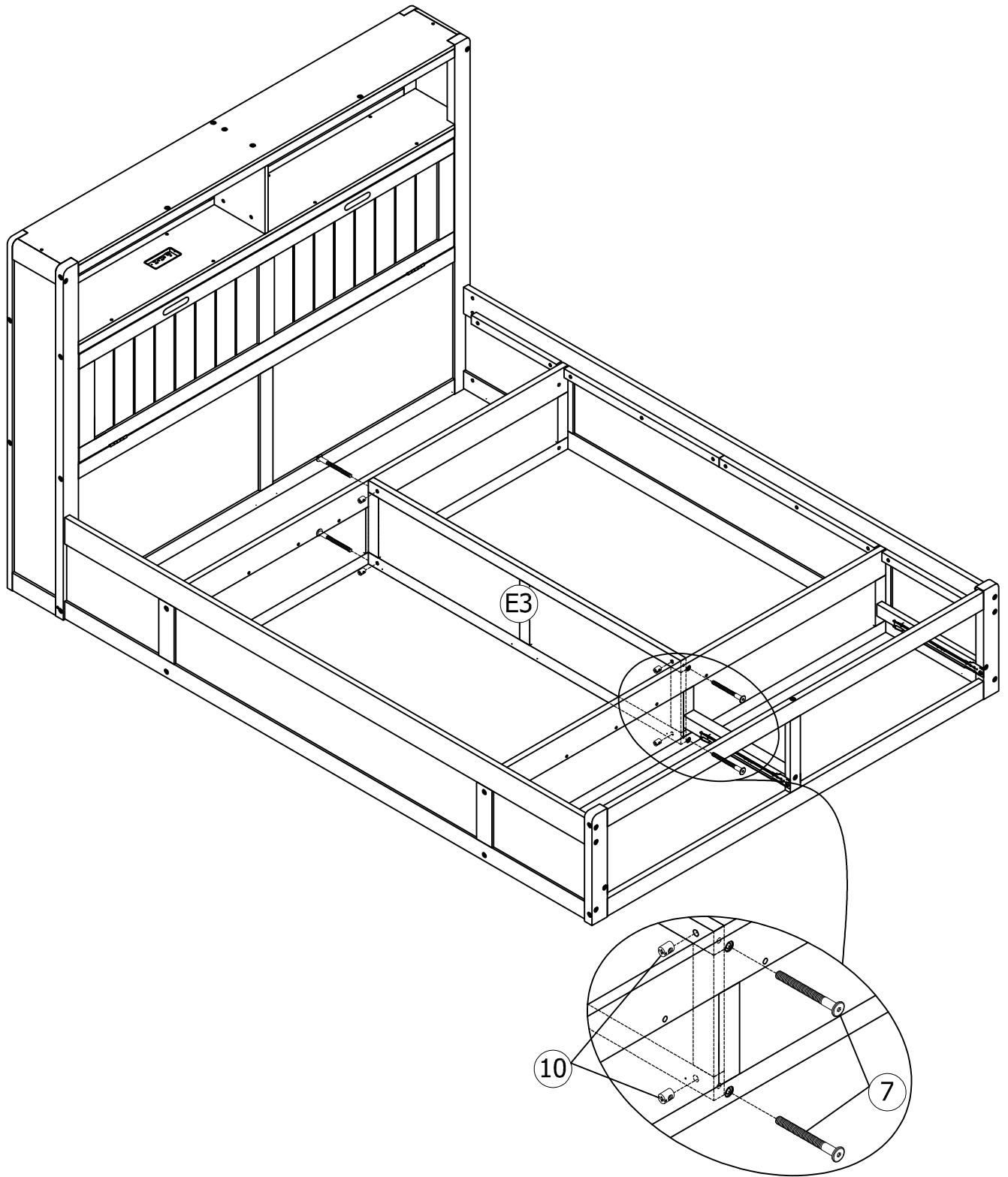
STEP30: Following below illustration.

12	10	8
		
7(pcs)	6(pcs)	6(pcs)
	3	2
		
	2(pcs)	1(pc)

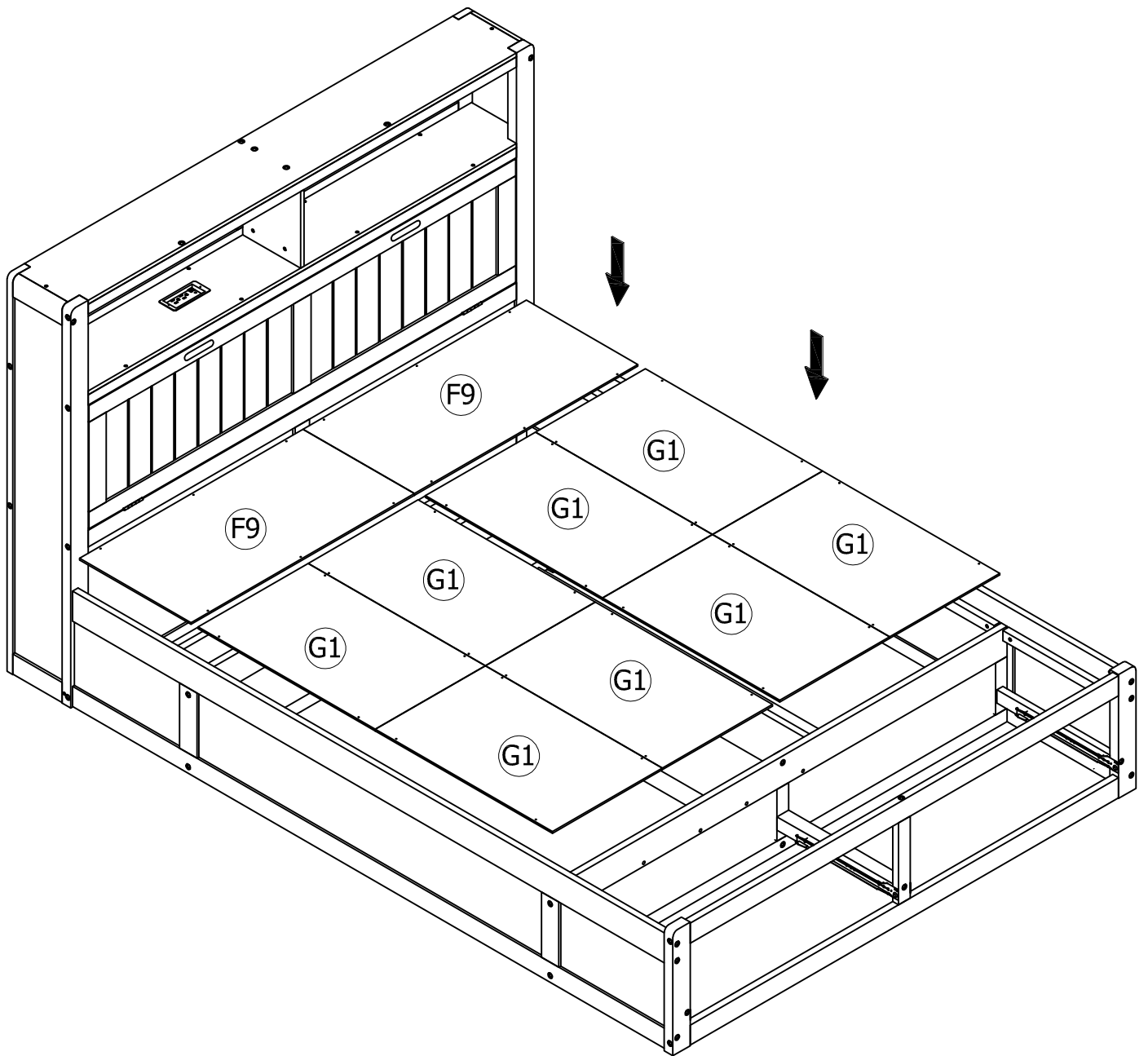


STEP31: Following below illustration.

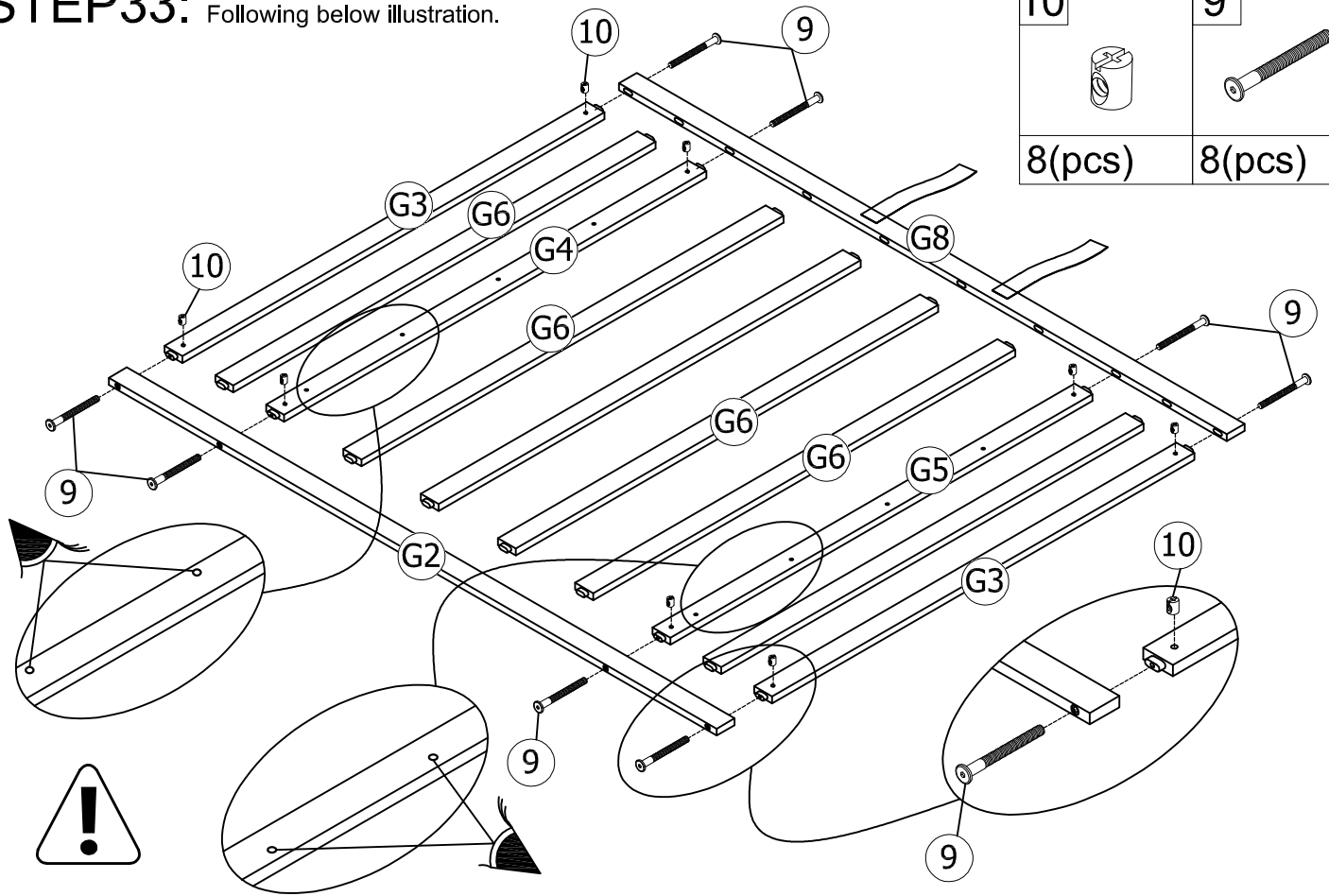
10	7
	
4(pcs)	4(pcs)



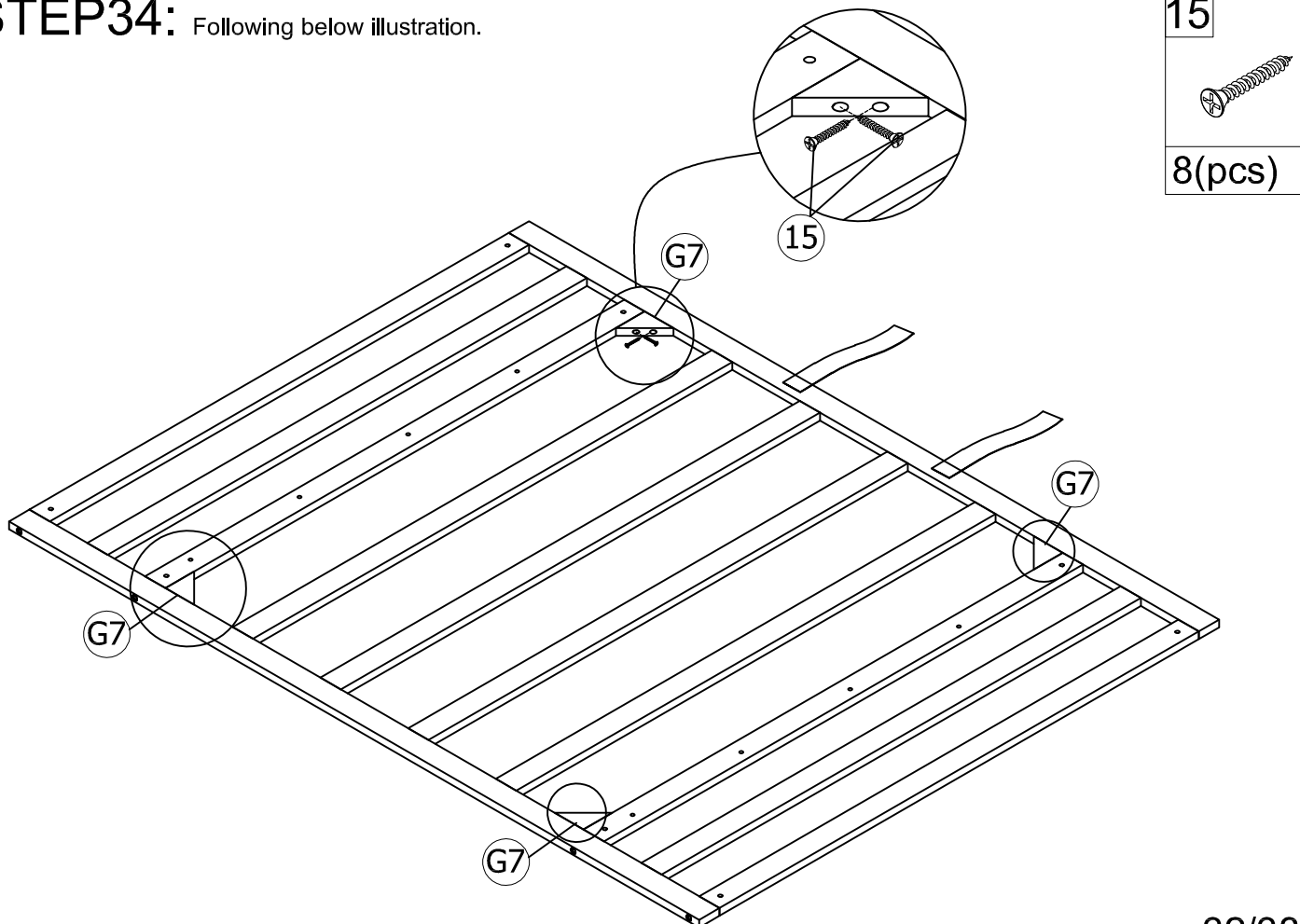
STEP32: Following below illustration.



STEP33: Following below illustration.

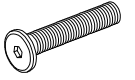


STEP34: Following below illustration.

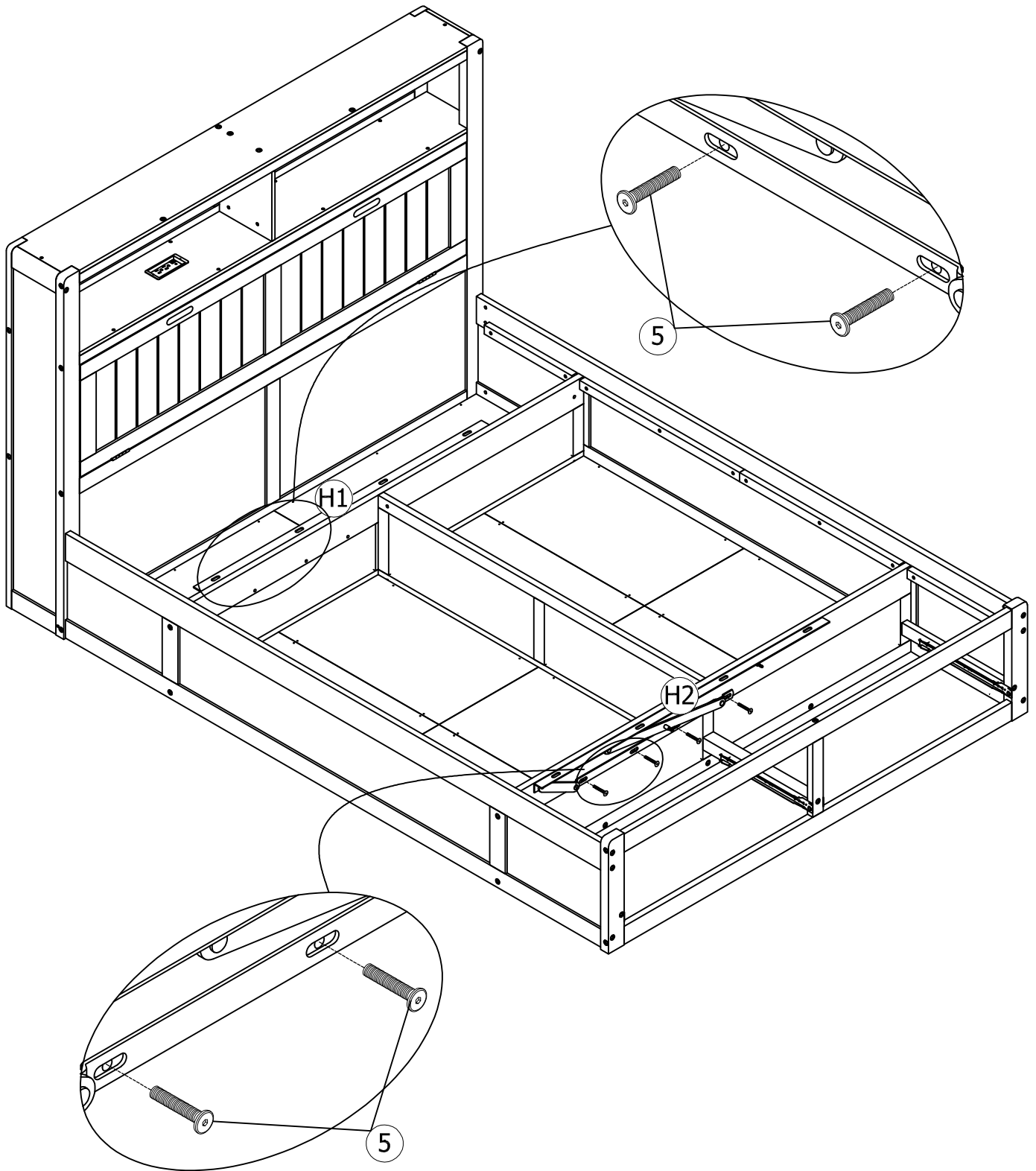


STEP35: Following below illustration.

5

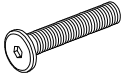


8(pcs)

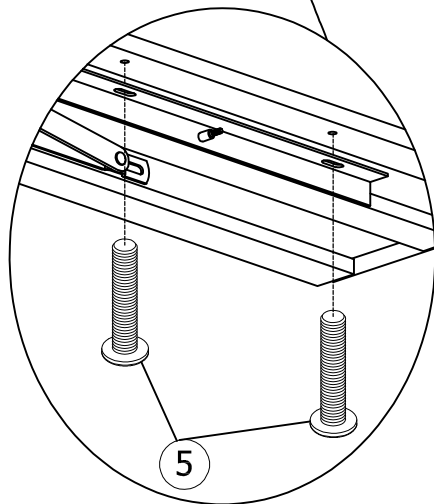
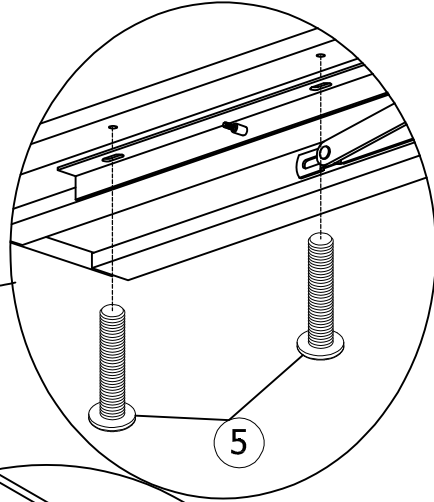
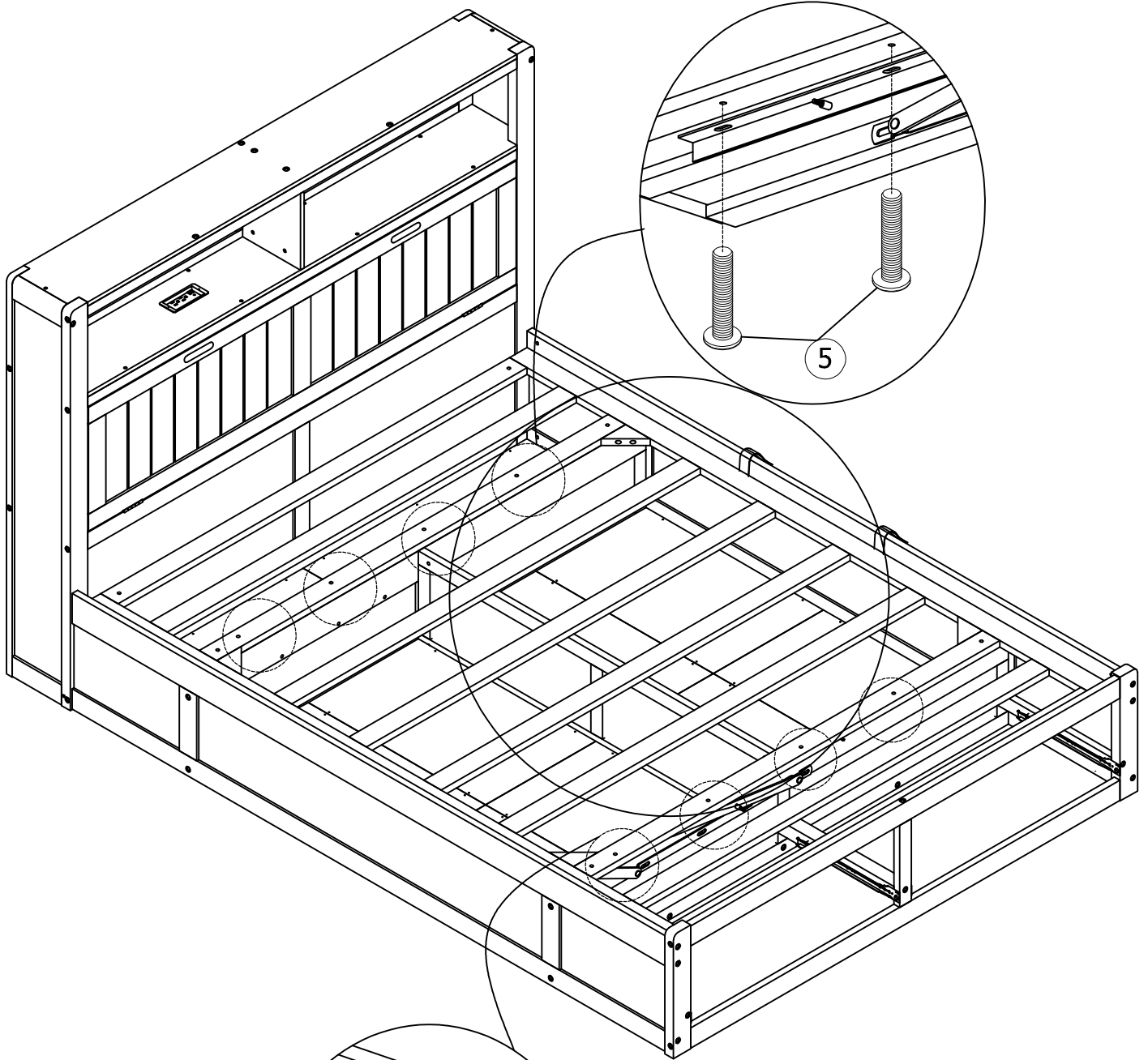


STEP36: Following below illustration.

5



8(pcs)

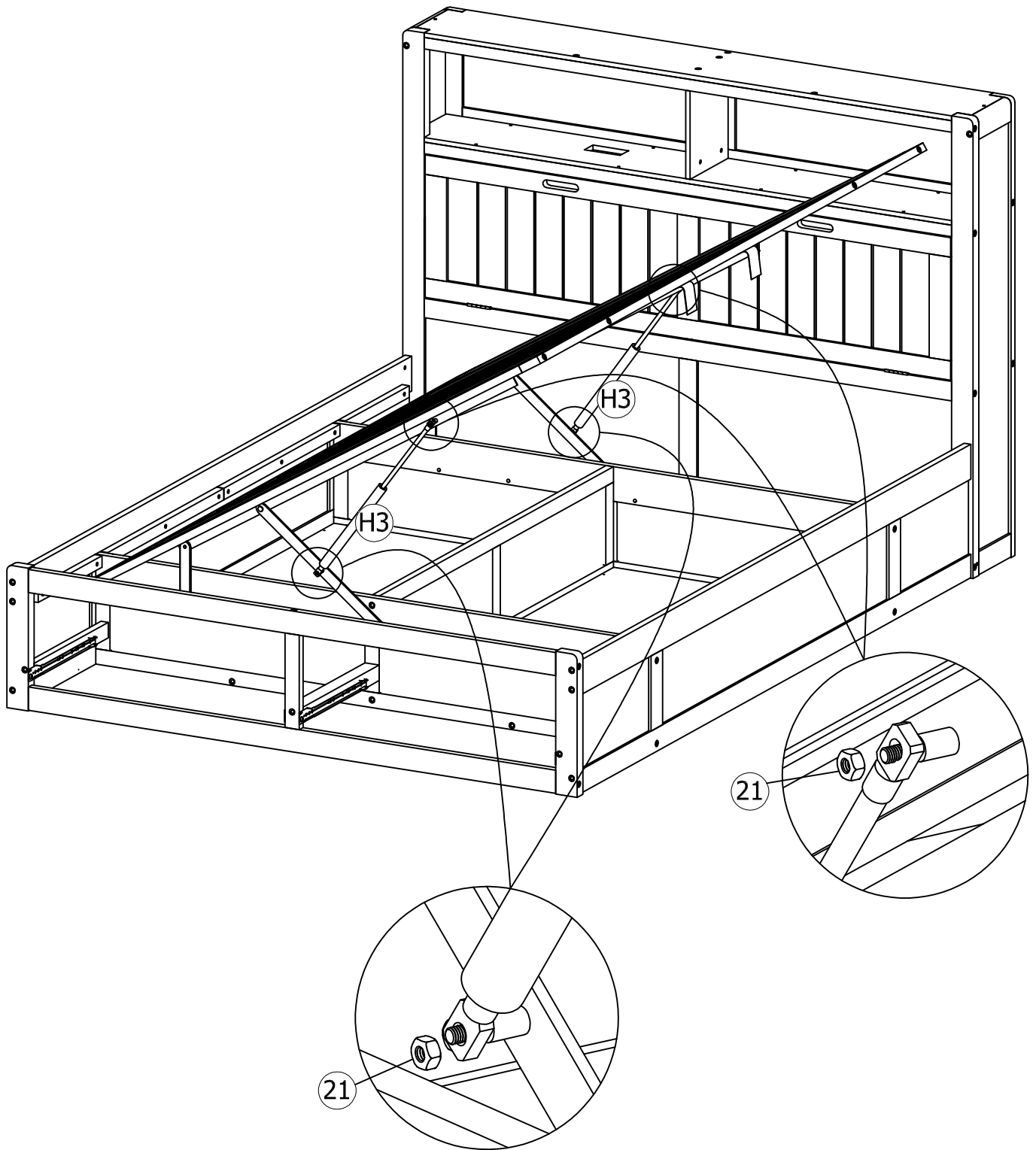


STEP37: Following below illustration.

21

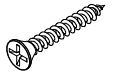


4(pcs)

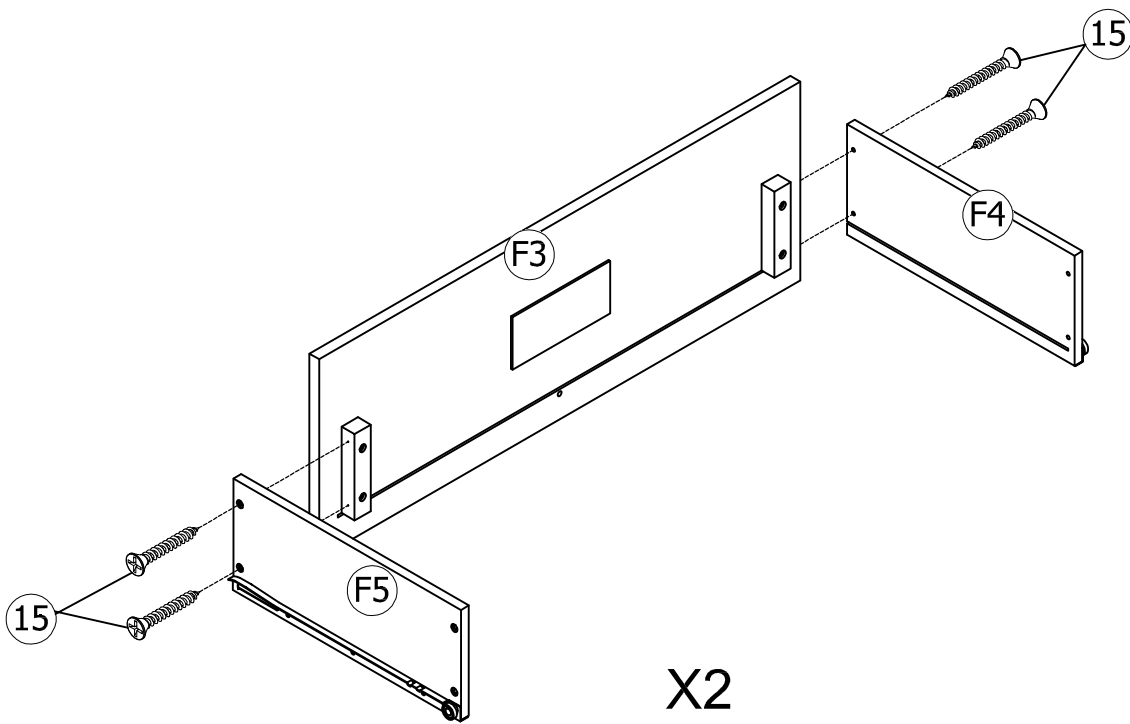


STEP38: Following below illustration.

15

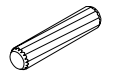


8(pcs)

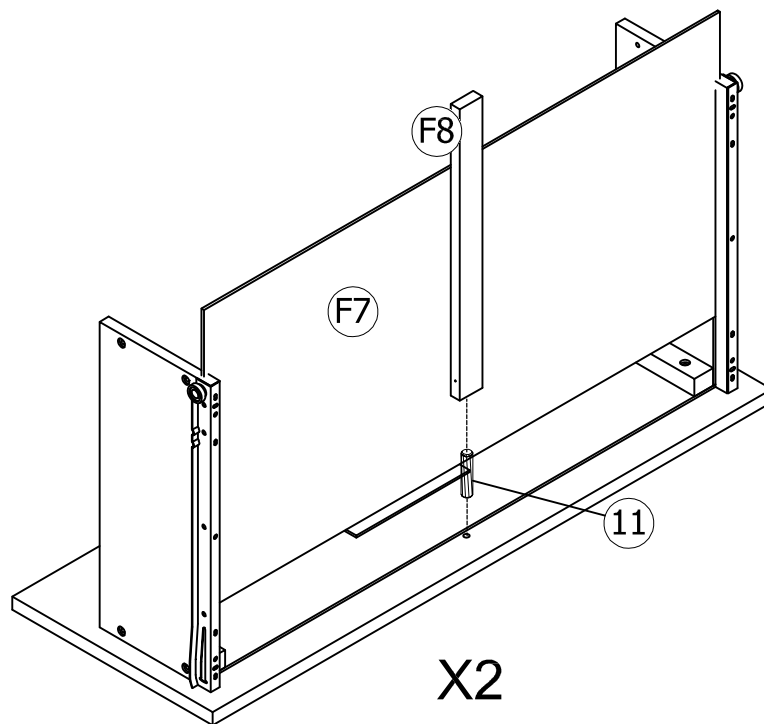


STEP39: Following below illustration.

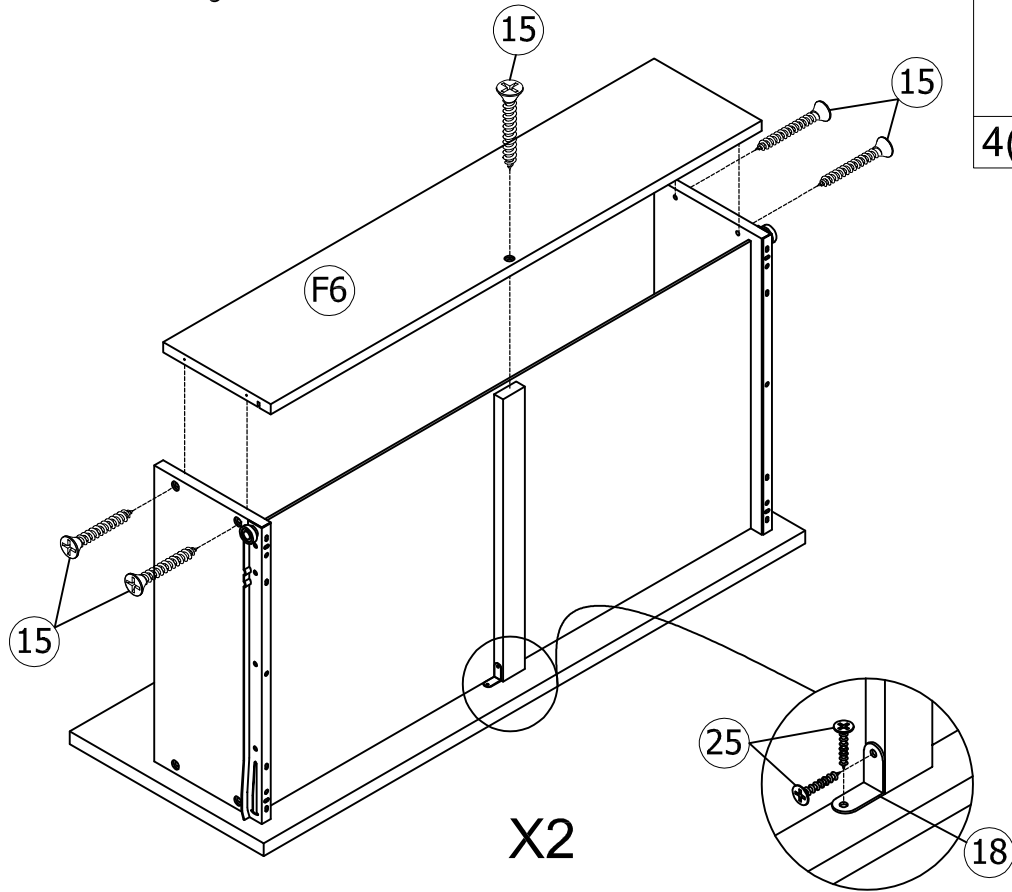
11

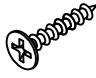
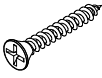
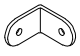


2(pcs)

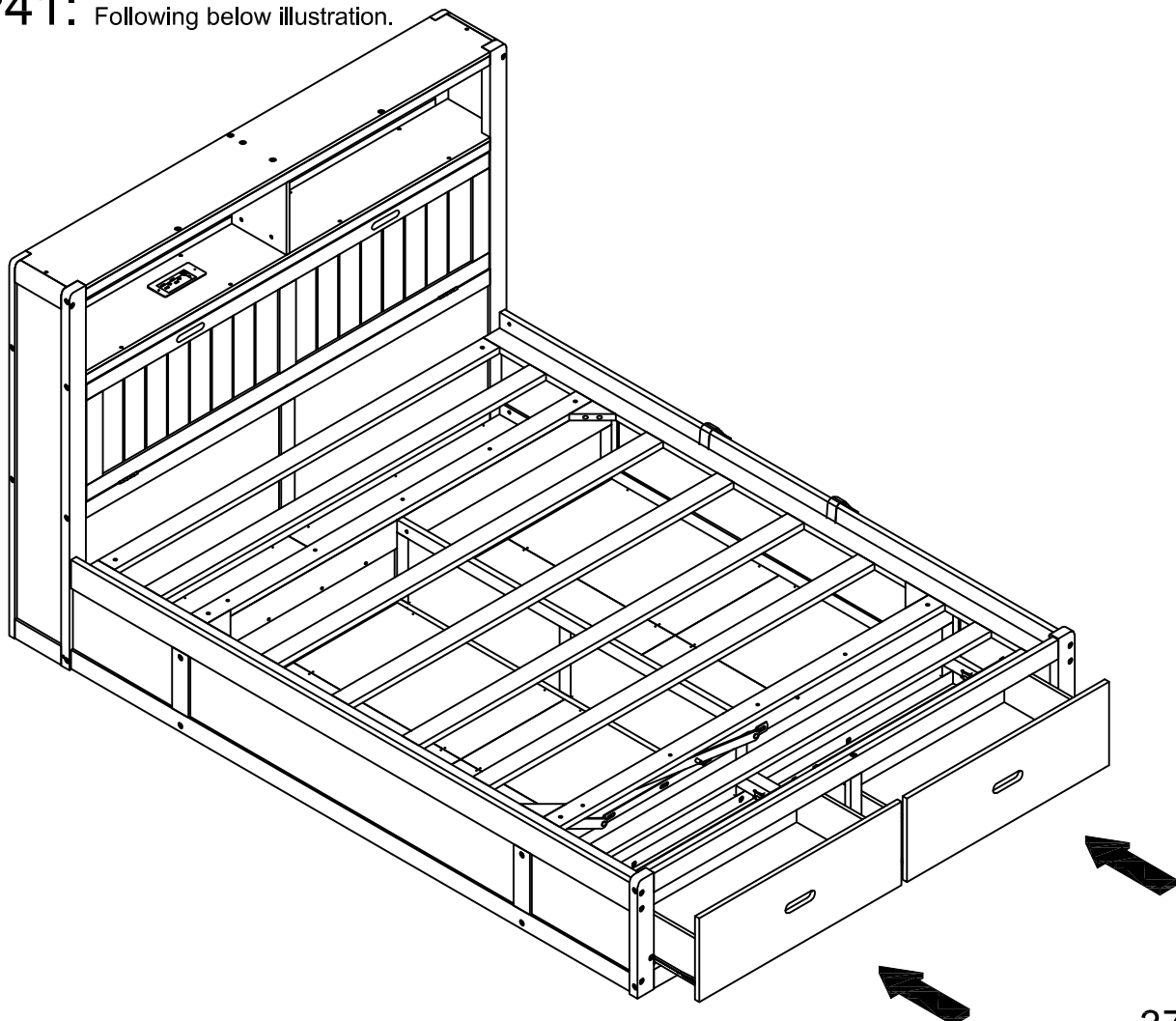


STEP40: Following below illustration.



25	15
	
4(pcs)	10(pcs)
	18
	
	2(pcs)

STEP41: Following below illustration.



FINISH

