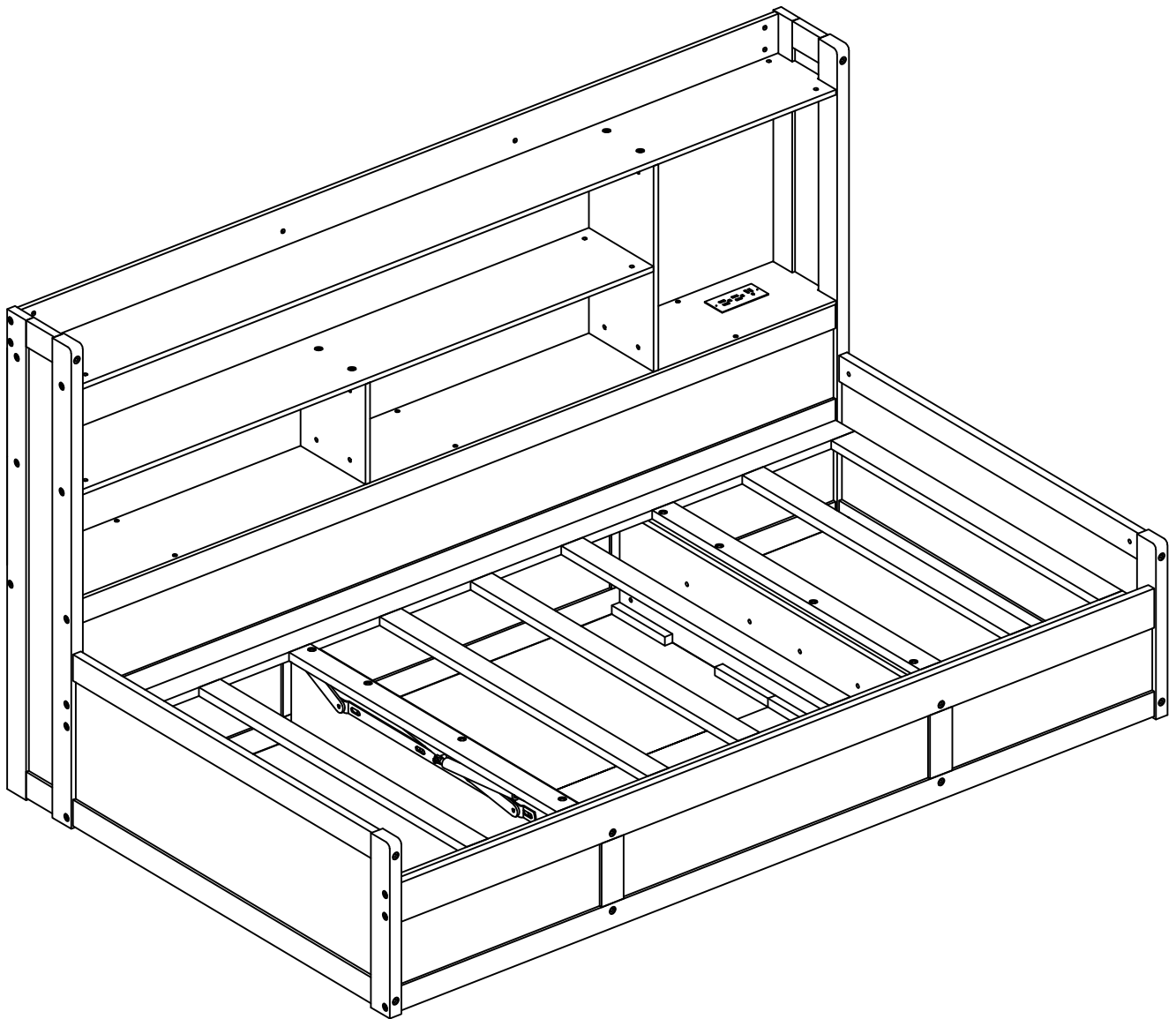


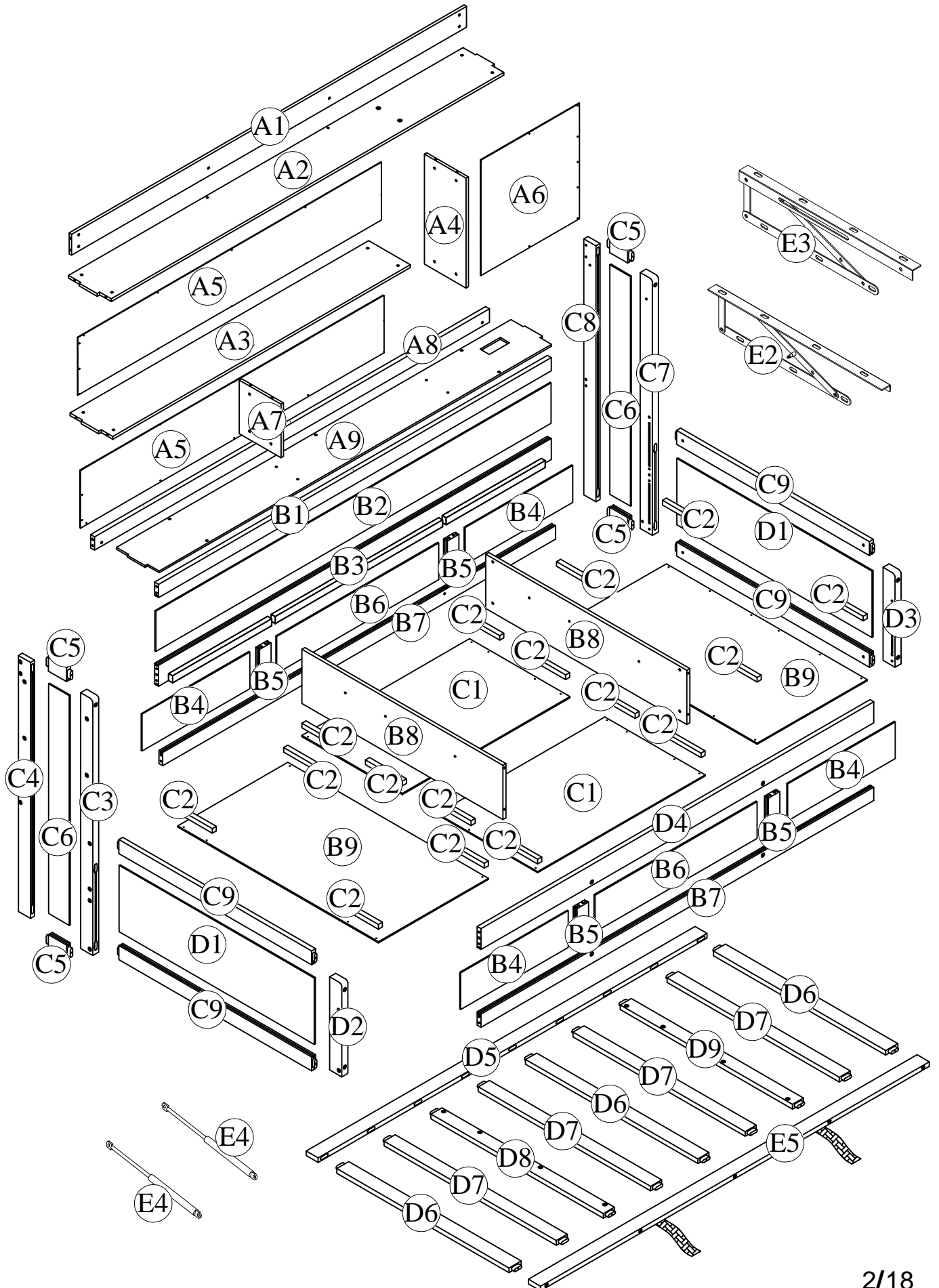
ASSEMBLY INSTRUCTION

SKU CODE: (WF322401-WF322402)

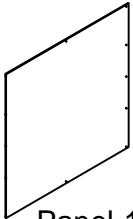
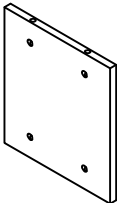

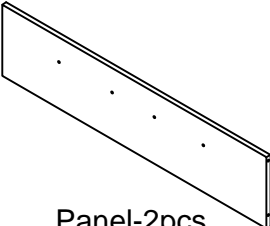
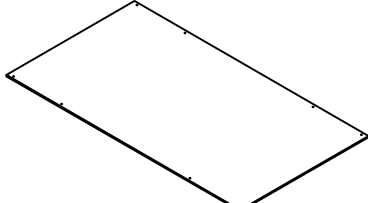
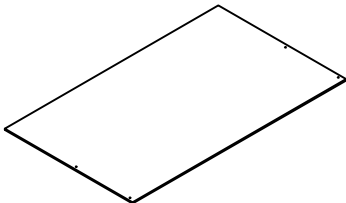
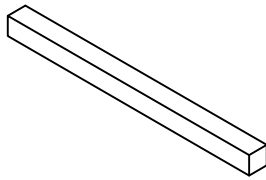


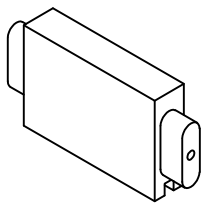



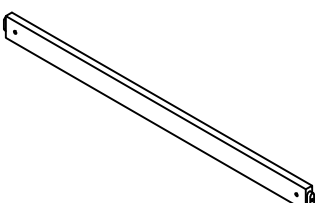
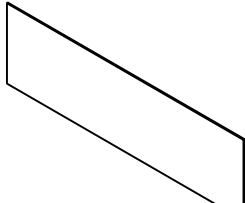


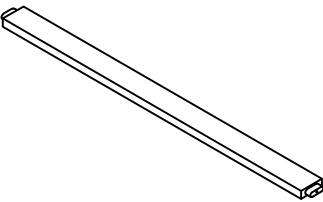


Note: This bed must be equipped with a mattress equivalent to 33 lb

ASSEMBLY INSTRUCTION

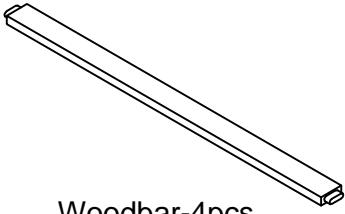


Part List & Hardware List (Box 1-WF322401)

<p>A6</p>  <p>Panel-1pc</p>	<p>A7</p>  <p>Panel-1pc</p>	<p>B5</p>  <p>Woodbar-4pcs</p>
<p>B8</p>  <p>Panel-2pcs</p>	<p>B9</p>  <p>Panel-2pcs</p>	<p>C1</p>  <p>Panel-2pcs</p>
<p>C2</p>  <p>Woodbar-16pcs</p>	<p>C3</p>  <p>Woodleg-1pc</p>	<p>C4</p>  <p>Woodleg-1pc</p>
<p>C5</p>  <p>Woodbar-4pcs</p>	<p>C6</p>  <p>Panel-2pcs</p>	<p>C7</p>  <p>Woodleg-1pc</p>
<p>C8</p>  <p>Woodleg-1pc</p>	<p>C9</p>  <p>Woodbar-4pcs</p>	<p>D1</p>  <p>Panel-2pcs</p>
<p>D2</p>  <p>Woodleg-1pc</p>	<p>D3</p>  <p>Woodleg-1pc</p>	<p>D6</p>  <p>Woodbar-3pcs</p>

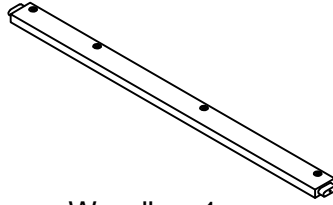
Part List & Hardware List (Box 1-WF322401)

D7



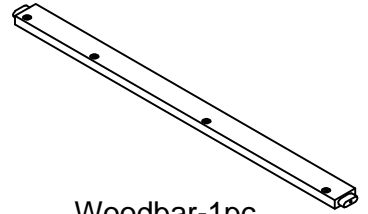
Woodbar-4pcs

D8



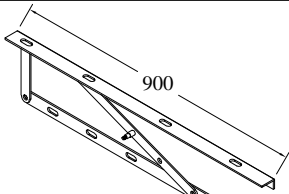
Woodbar-1pc

D9



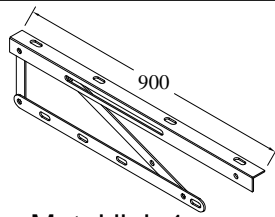
Woodbar-1pc

E2



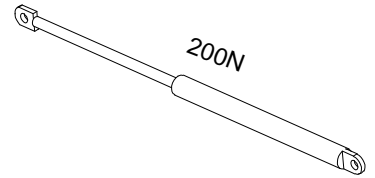
Metal link-1pc

E3



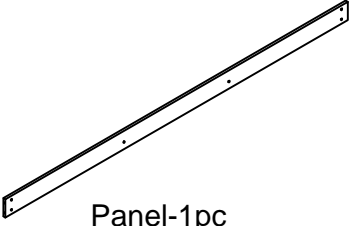
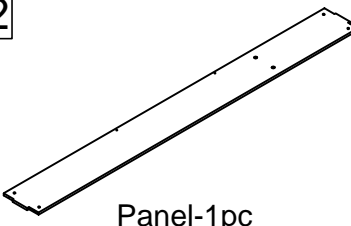
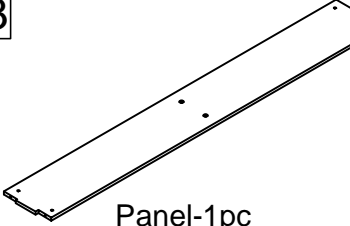
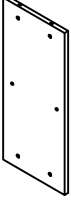
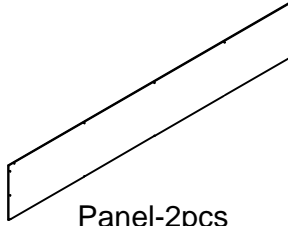
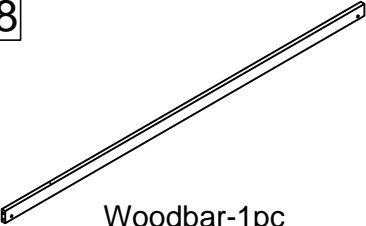
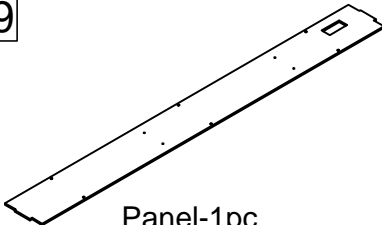
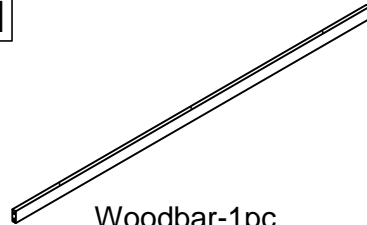
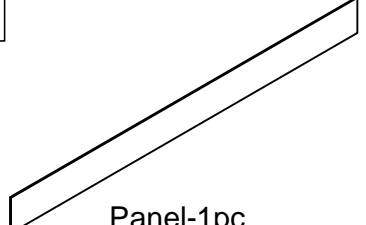
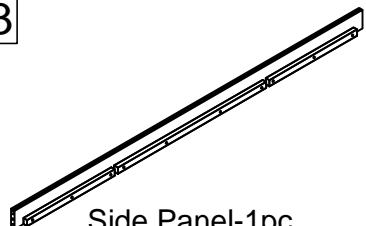
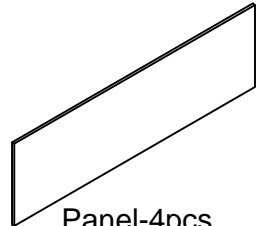
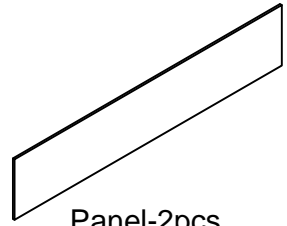
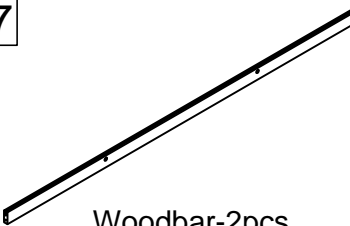
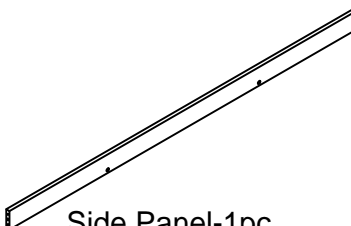
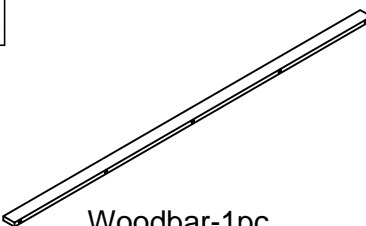
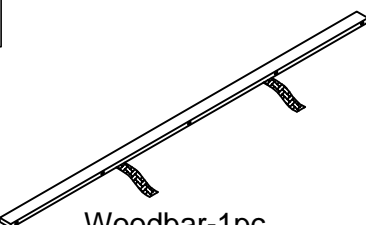
Metal link-1pc

E4

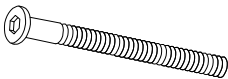

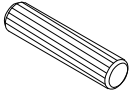
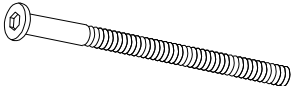

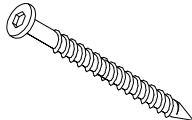

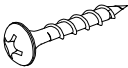

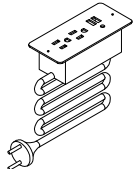

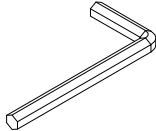
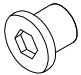

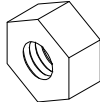


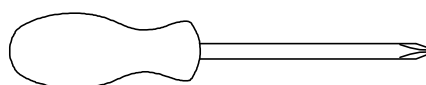
Piston Steam-2pcs

Part List (Box 2-WF322402)

<p>A1</p>  <p>Panel-1pc</p>	<p>A2</p>  <p>Panel-1pc</p>	<p>A3</p>  <p>Panel-1pc</p>
<p>A4</p>  <p>Panel-1pc</p>	<p>A5</p>  <p>Panel-2pcs</p>	<p>A8</p>  <p>Woodbar-1pc</p>
<p>A9</p>  <p>Panel-1pc</p>	<p>B1</p>  <p>Woodbar-1pc</p>	<p>B2</p>  <p>Panel-1pc</p>
<p>B3</p>  <p>Side Panel-1pc</p>	<p>B4</p>  <p>Panel-4pcs</p>	<p>B6</p>  <p>Panel-2pcs</p>
<p>B7</p>  <p>Woodbar-2pcs</p>	<p>D4</p>  <p>Side Panel-1pc</p>	<p>D5</p>  <p>Woodbar-1pc</p>
<p>E5</p>  <p>Woodbar-1pc</p>		

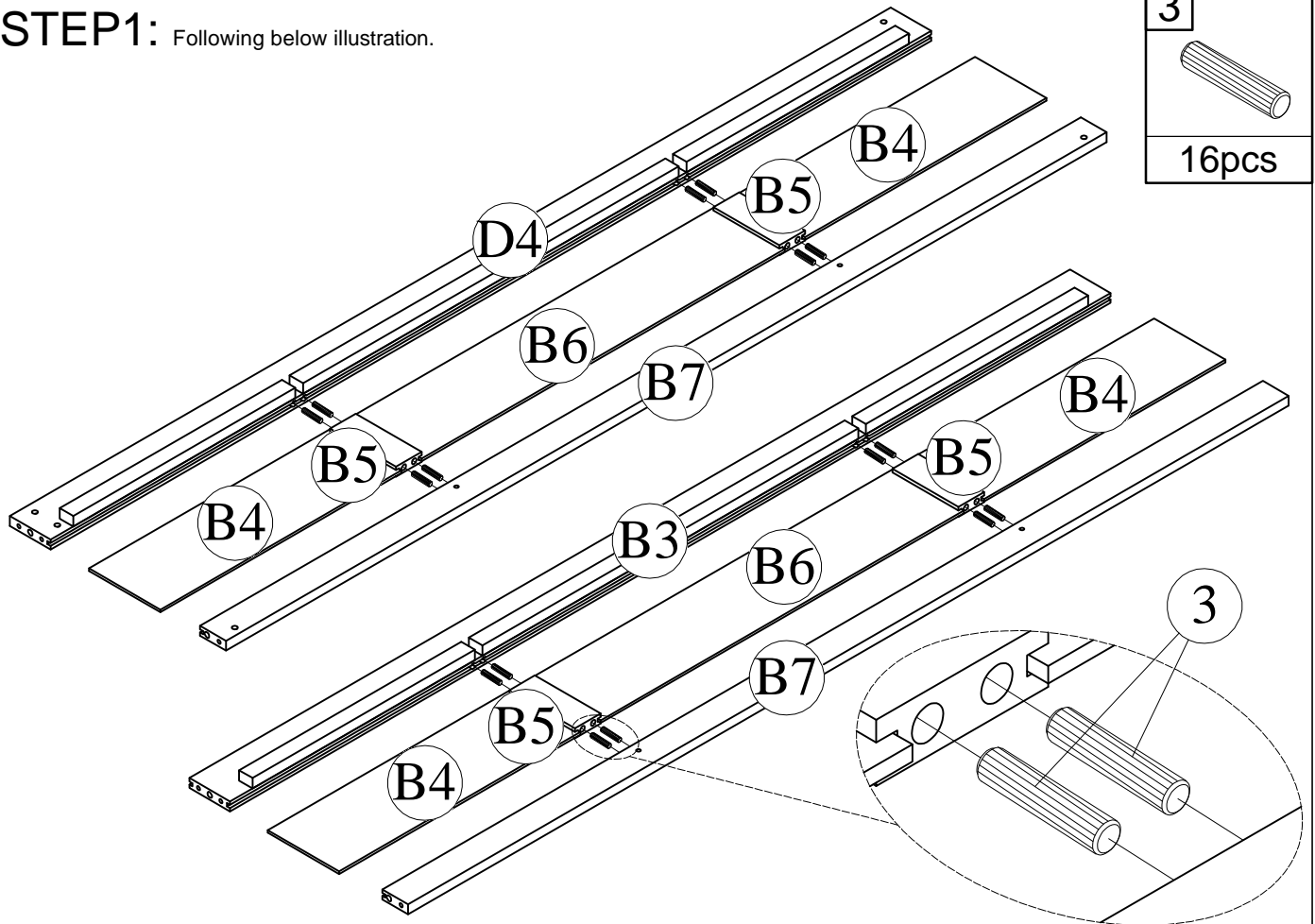
Hardware List (Box 1-WF322401)

<p>1</p>  <p>Ø1/4" x 70 mm Hex-Head bolts 20pcs</p>	<p>2</p>  <p>Ø1/4" x 12 mm Horizontal-Hole bolts 64pcs</p>	<p>3</p>  <p>Ø10 x 40 mm Wood dowel 28pcs</p>
<p>4</p>  <p>Ø1/4" x 100 mm Hex-Head bolts 18pcs</p>	<p>5</p>  <p>Ø1/4" x 80 mm Hex-Head bolts 14pcs</p>	<p>6</p>  <p>Screws 1/4" x70 6pcs</p>
<p>7</p>  <p>M4 x 20 mm Wood Screws 8pcs</p>	<p>8</p>  <p>M4 x 15 mm Wood Screws 58pcs</p>	<p>9</p>  <p>Ø1/4" x 60 mm Hex-Head bolts 12pcs</p>
<p>10</p>  <p>USB 1pc</p>	<p>11</p>  <p>M3 x 12 mm Wood Screws 2pcs</p>	<p>12</p>  <p>Allen Key 1pc</p>
<p>13</p>  <p>Ø1/4" x 15 mm T-nut 16pcs</p>	<p>14</p>  <p>Ø1/4" x 15 mm Hex-Head bolts 16pcs</p>	<p>15</p>  <p>Nuts 4pcs</p>

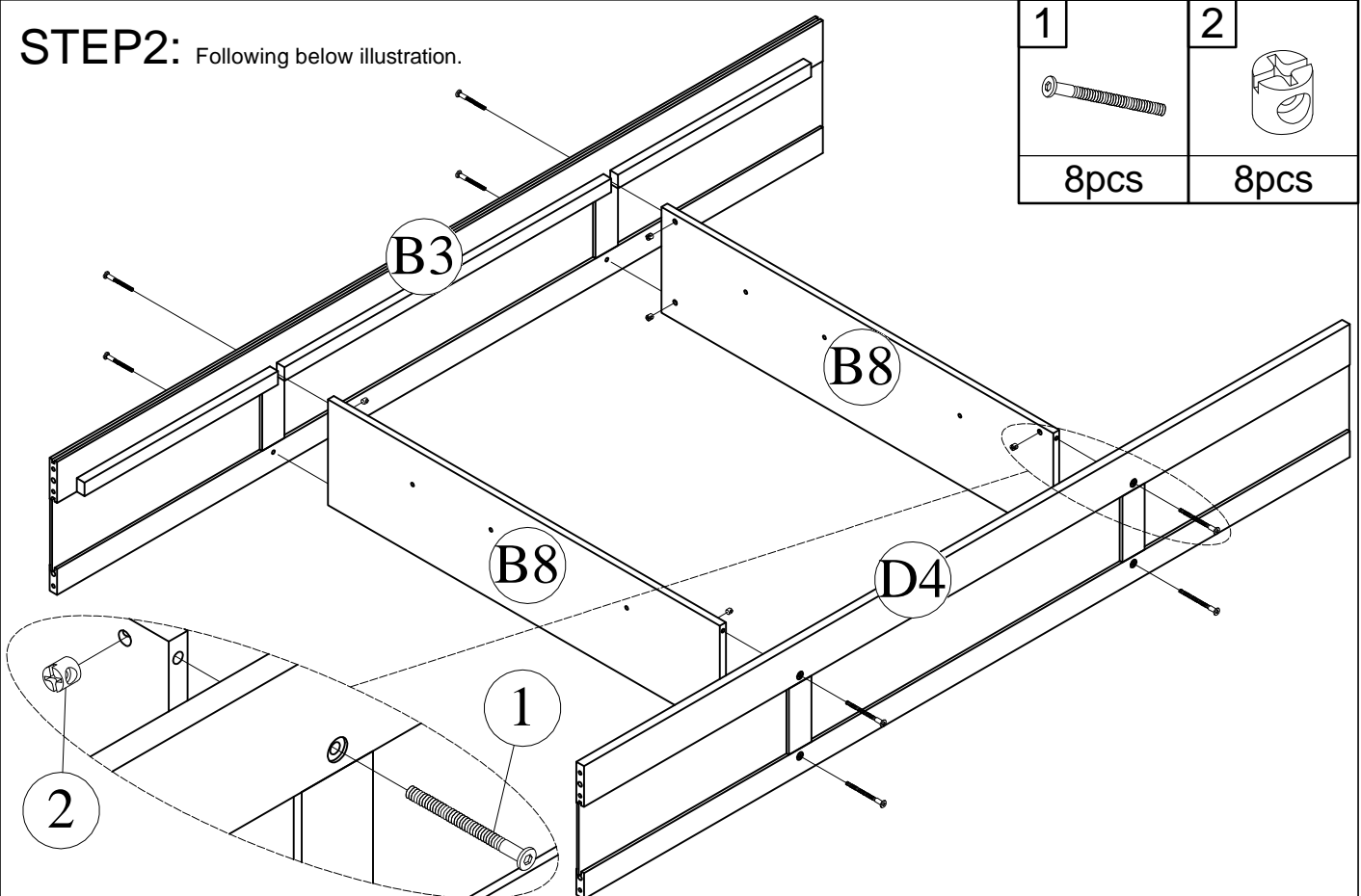


Assembly Tools Required (Not Included)

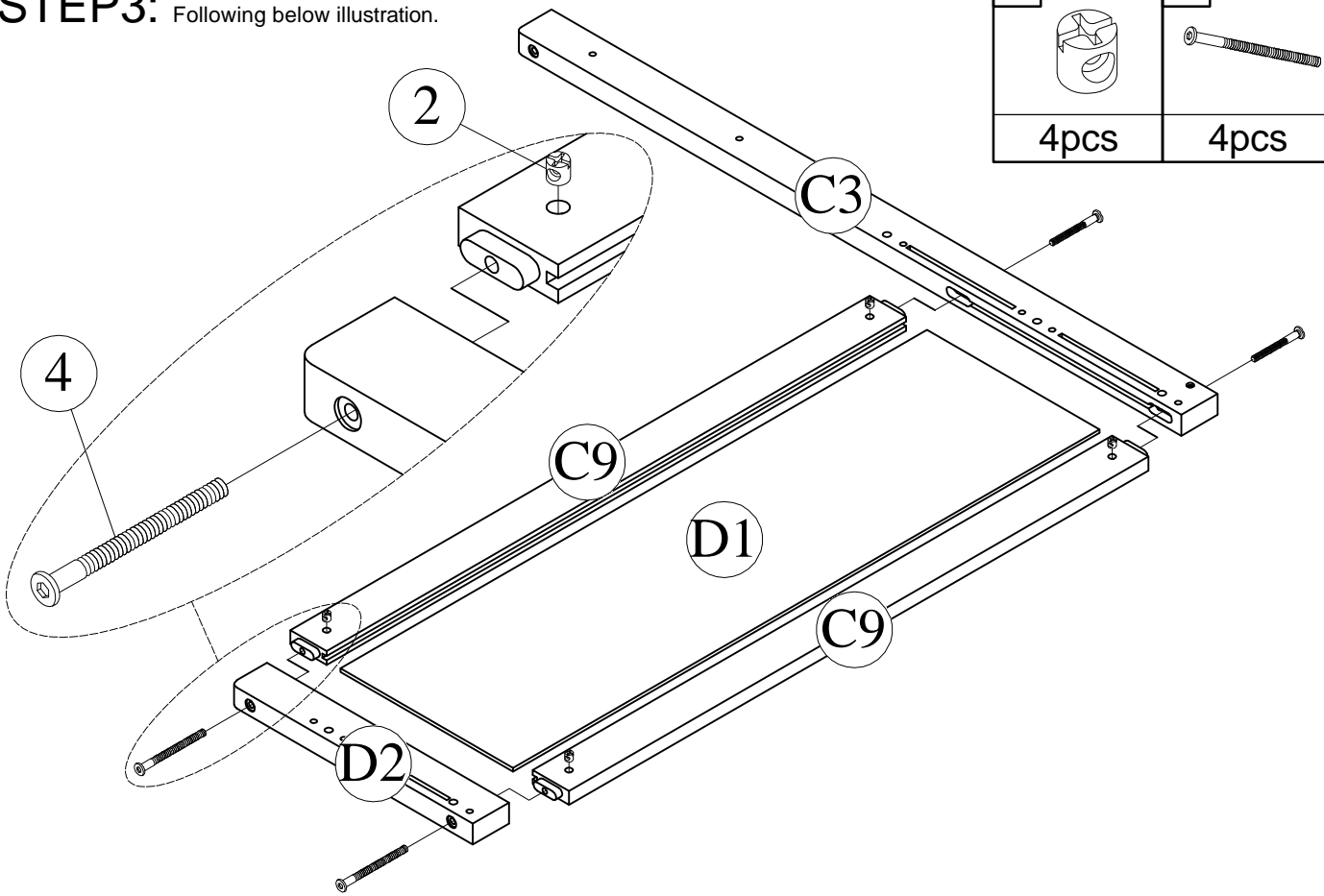
STEP1: Following below illustration.



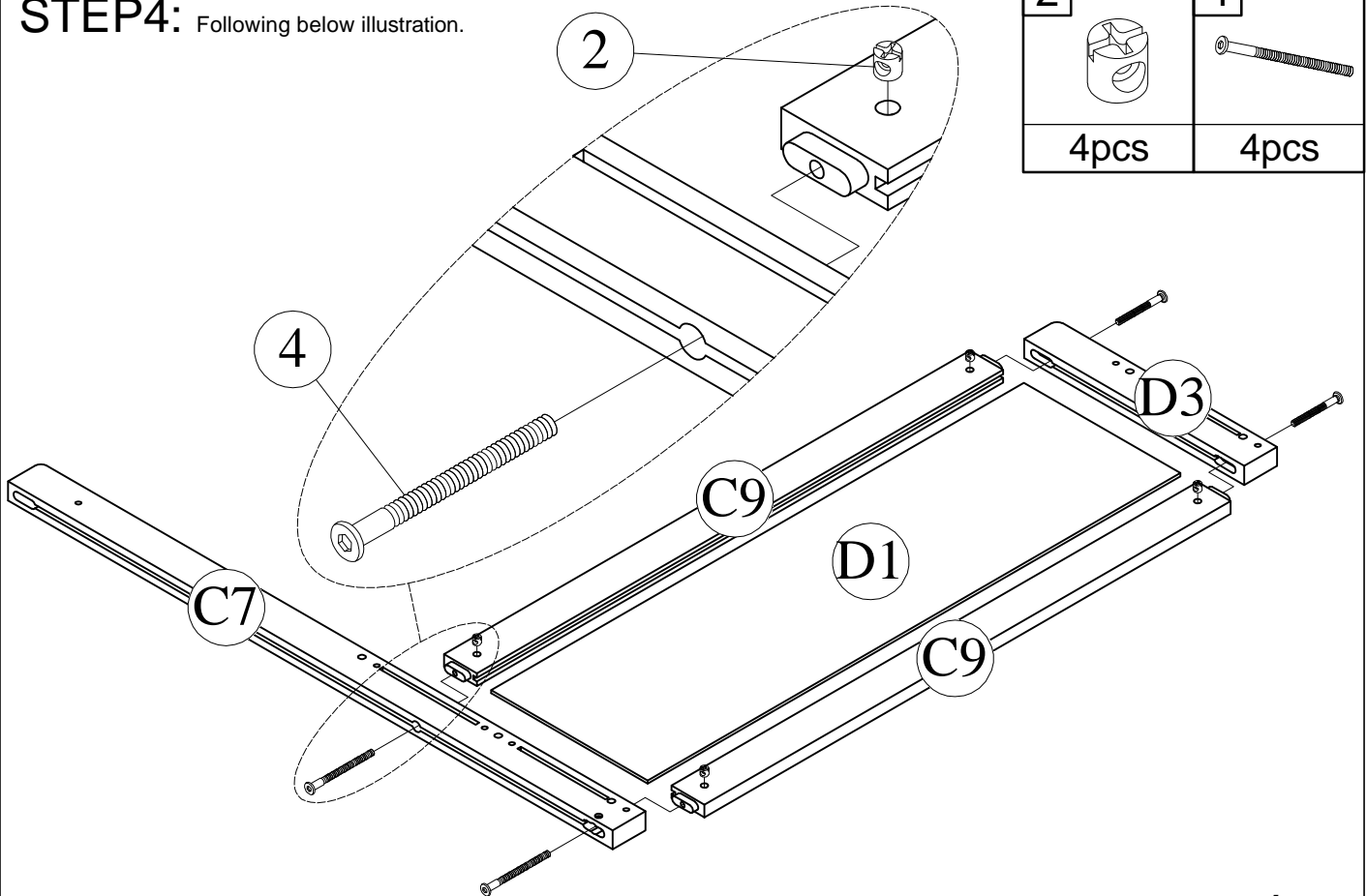
STEP2: Following below illustration.



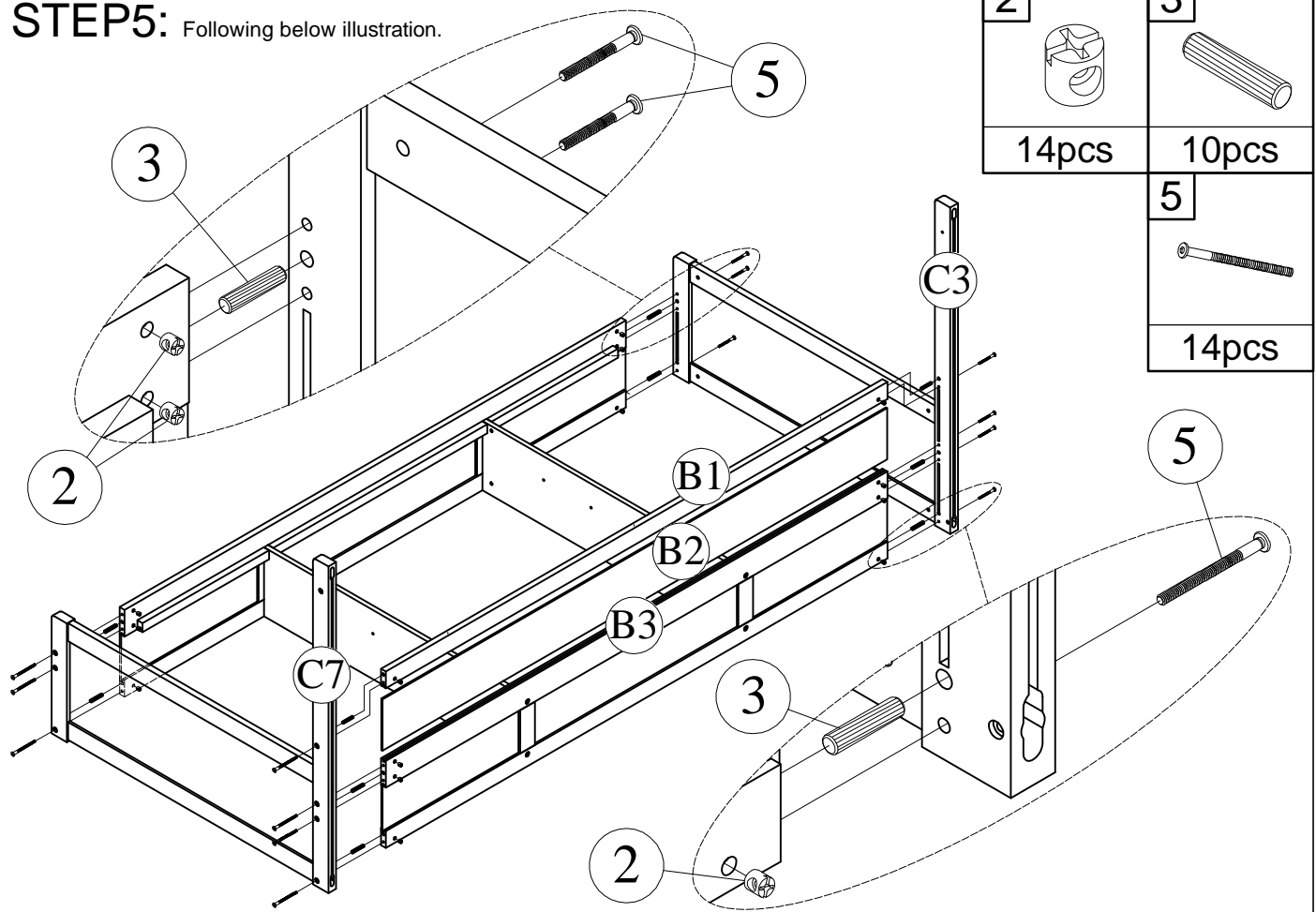
STEP3: Following below illustration.



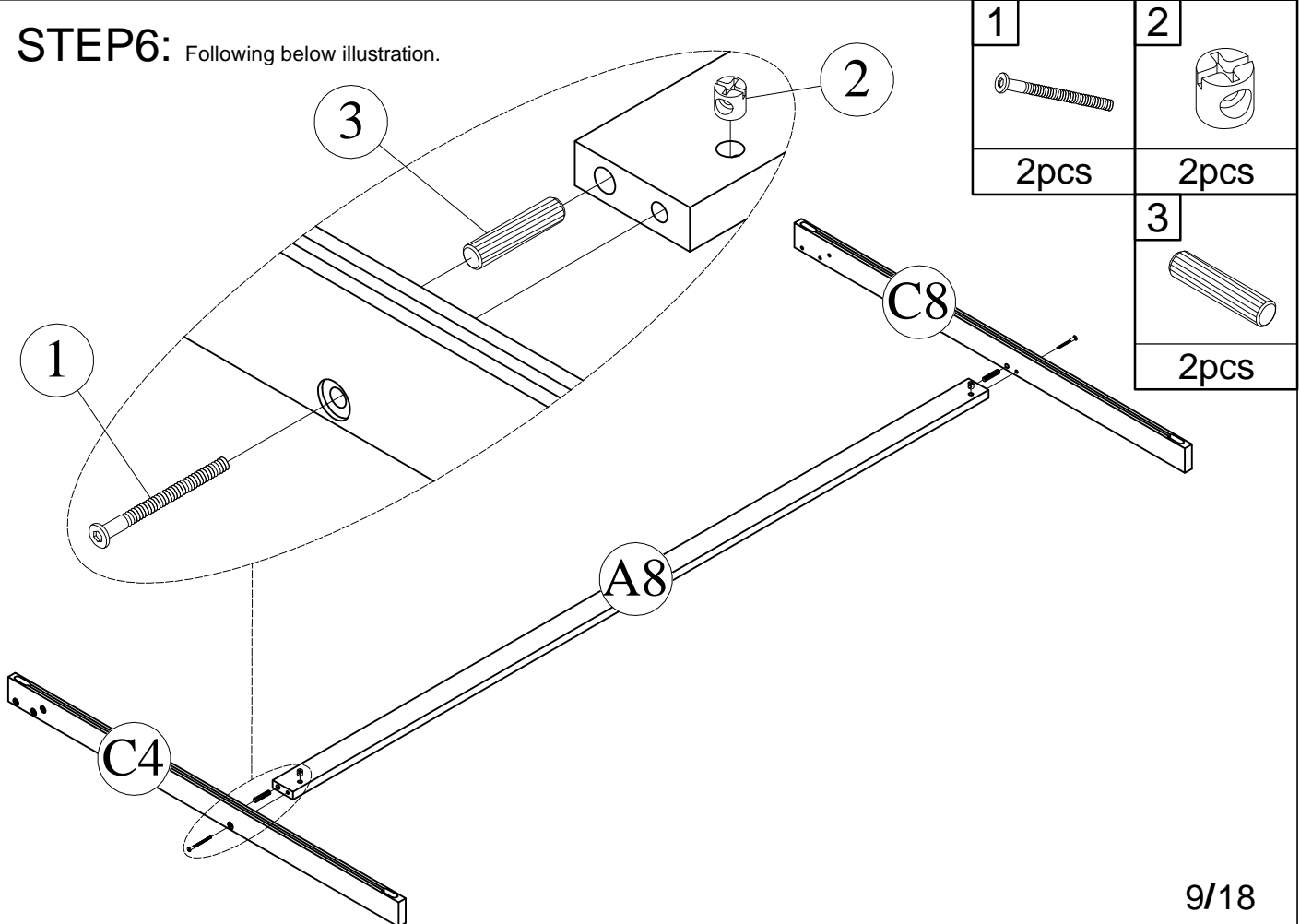
STEP4: Following below illustration.



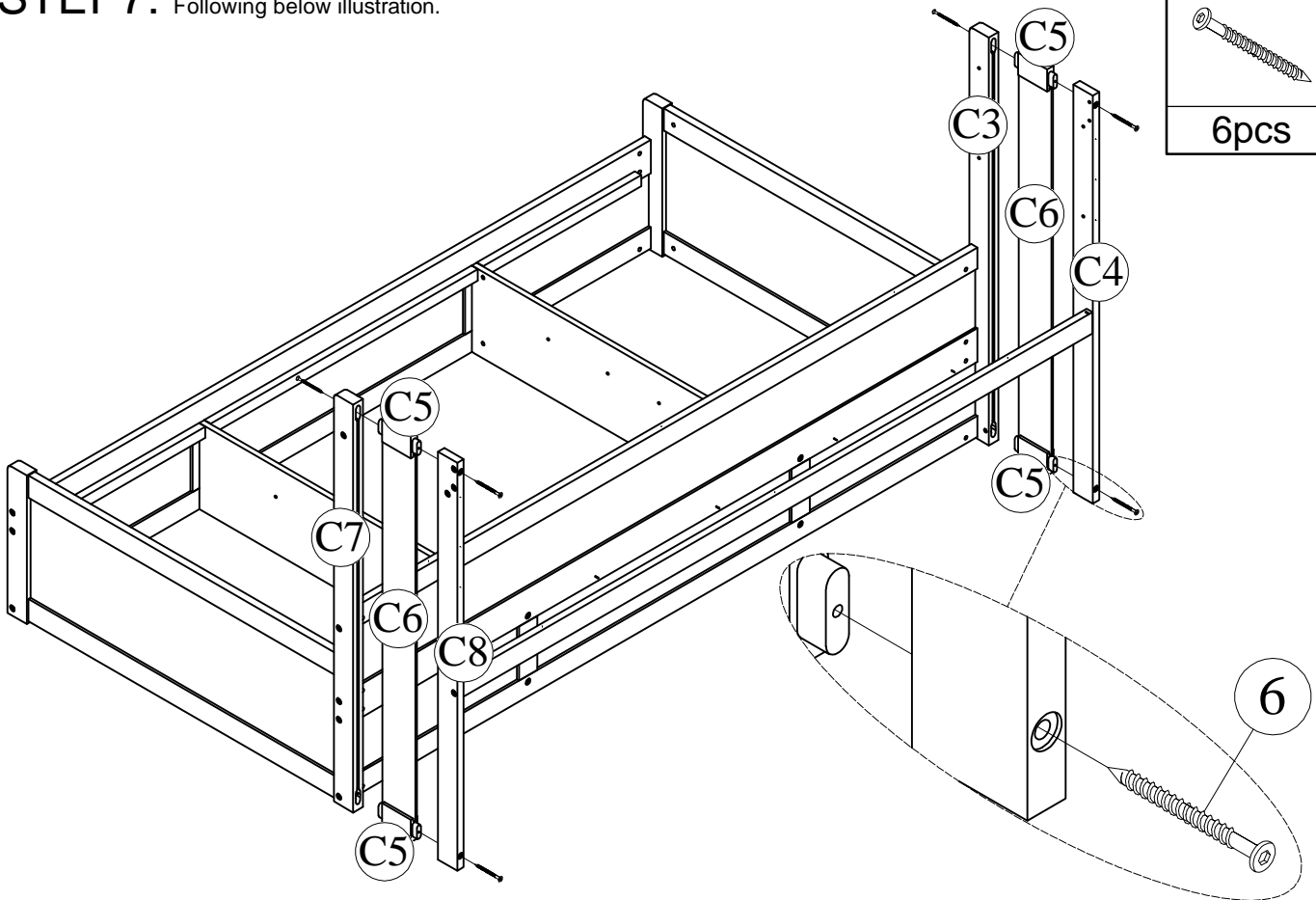
STEP5: Following below illustration.



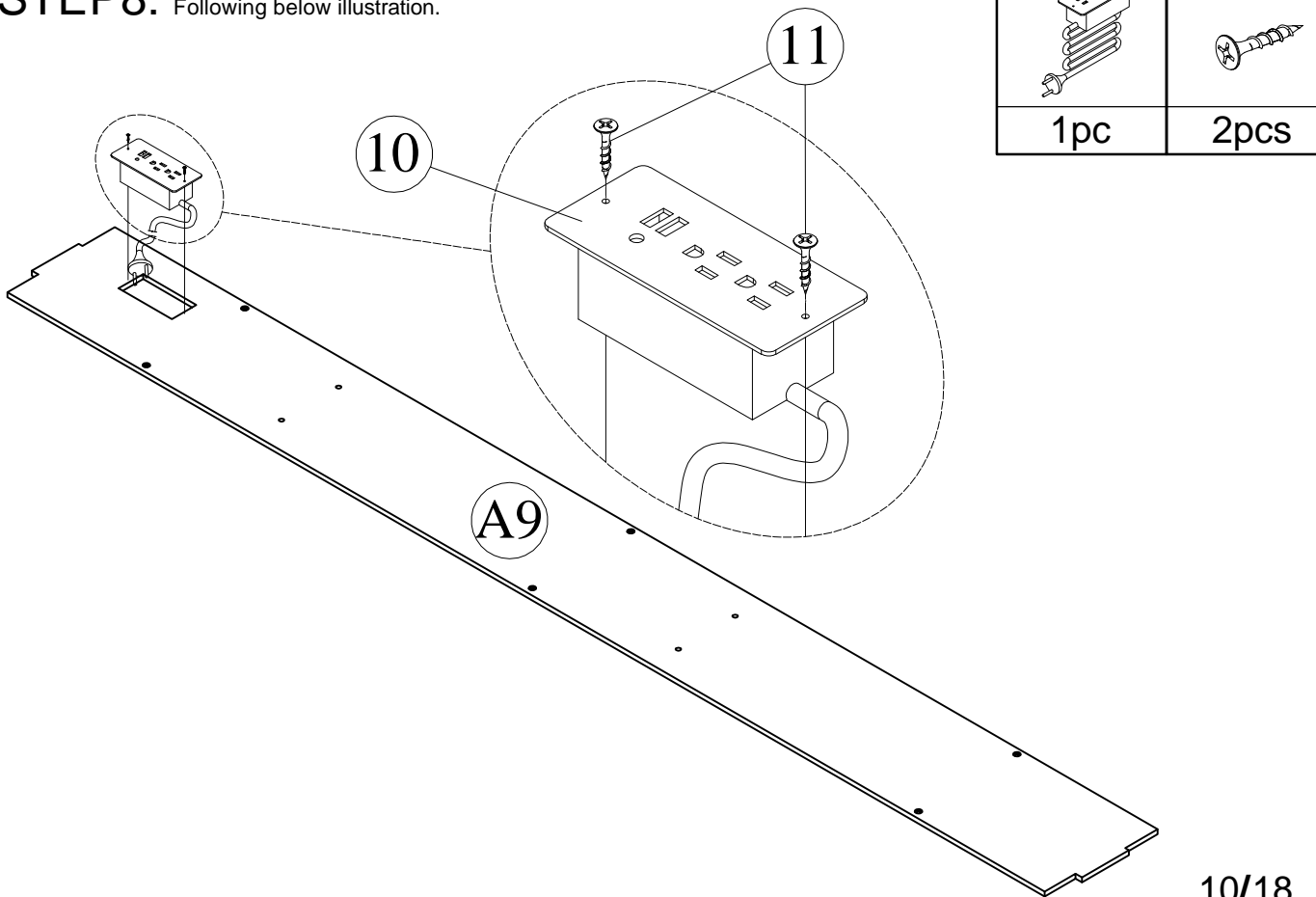
STEP6: Following below illustration.



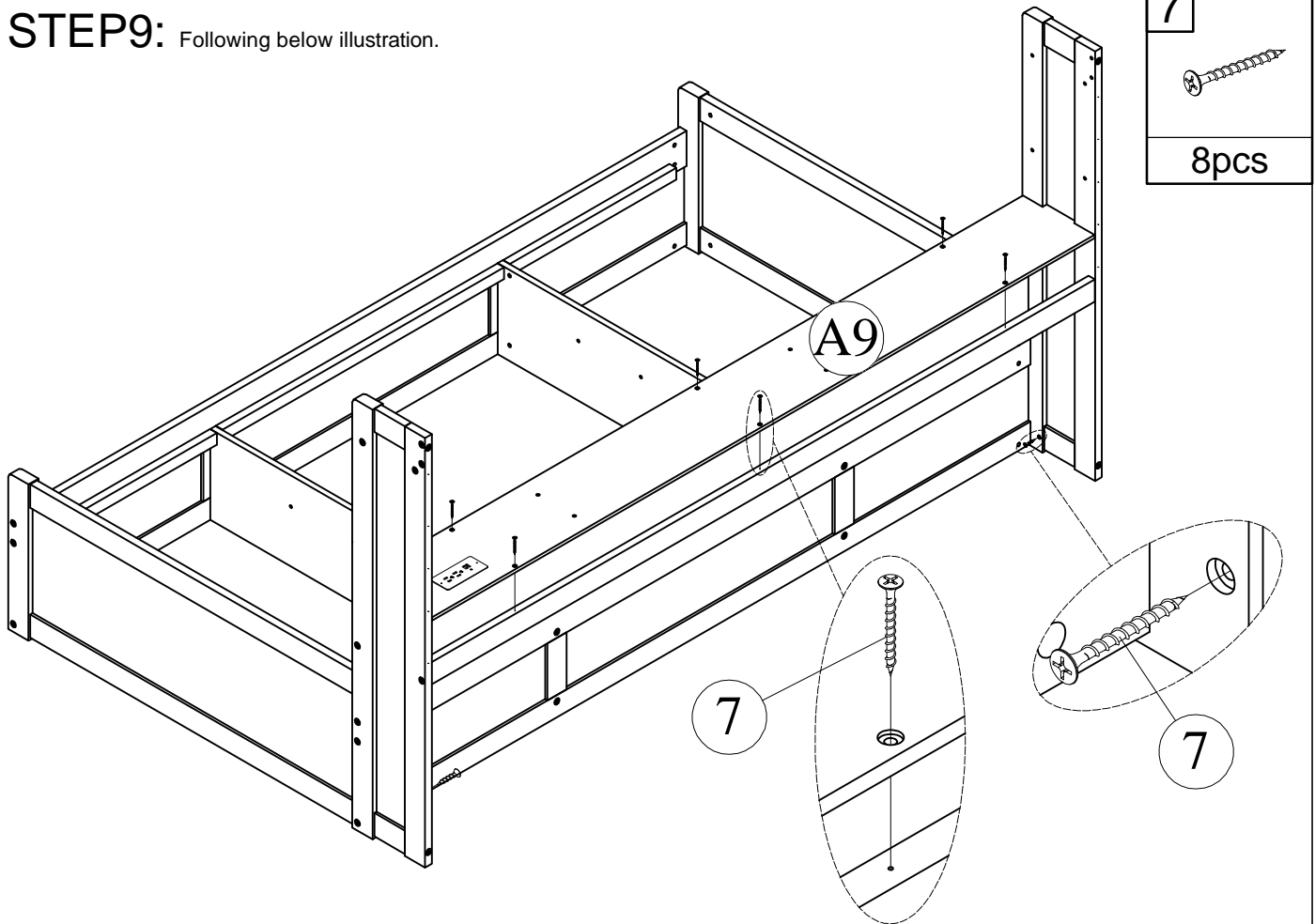
STEP7: Following below illustration.



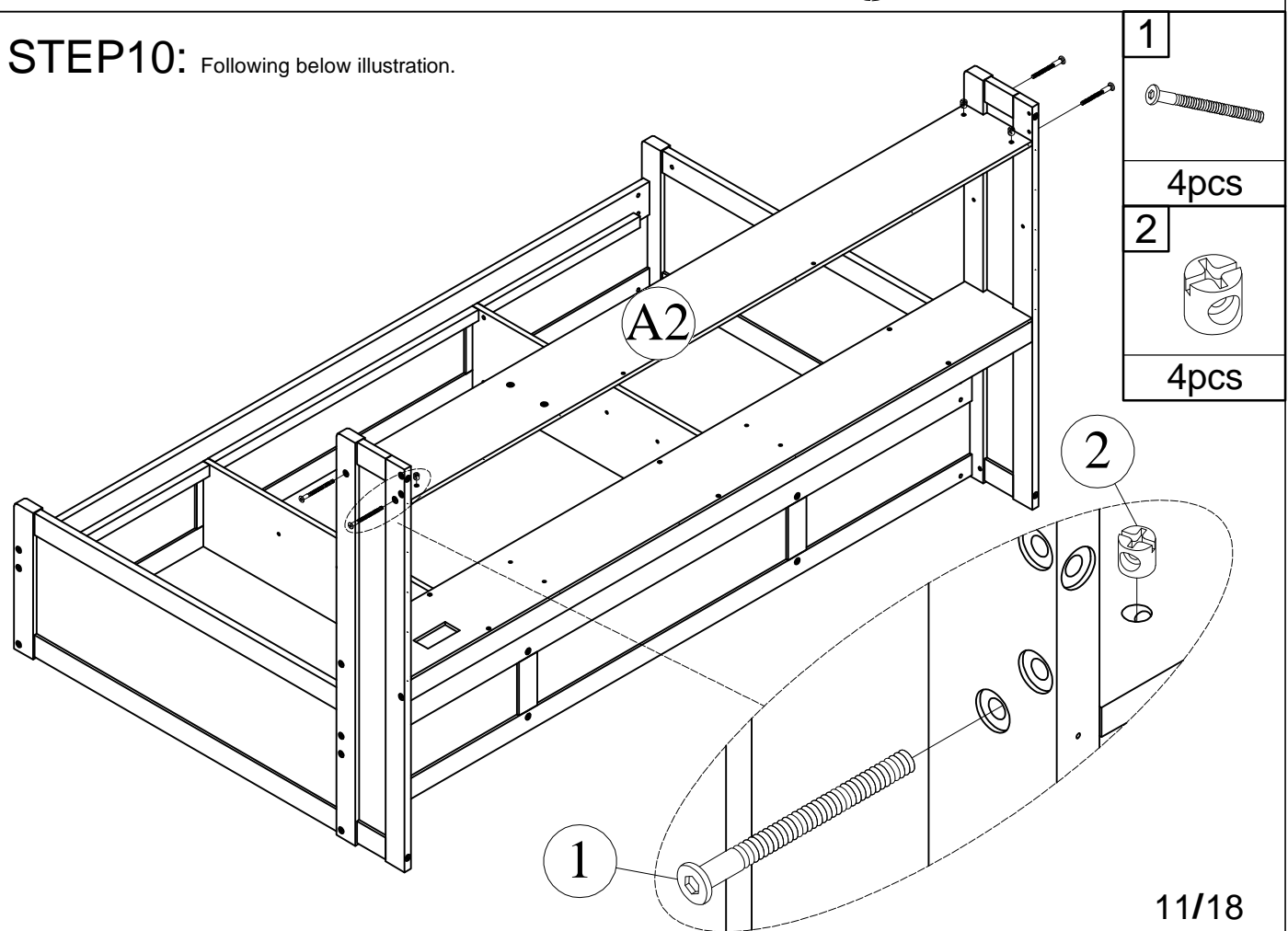
STEP8: Following below illustration.



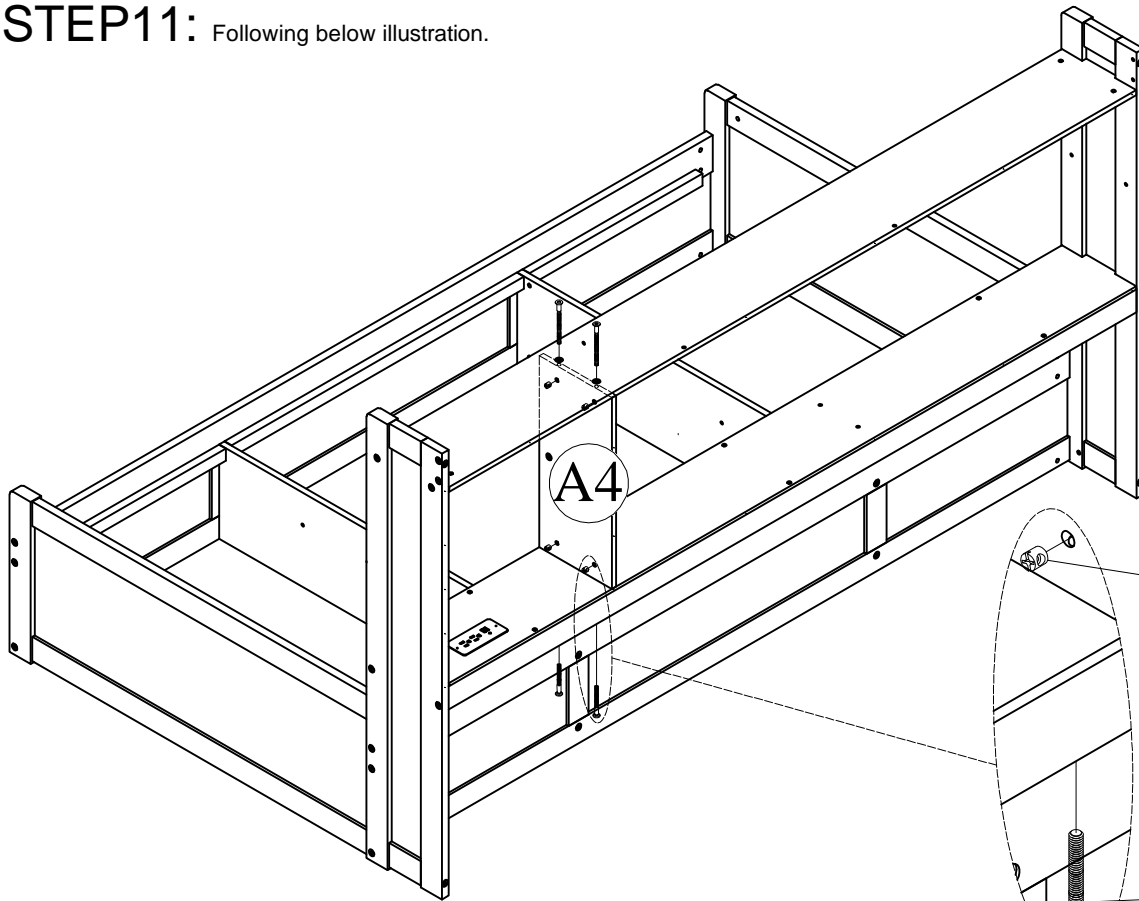
STEP9: Following below illustration.





STEP10: Following below illustration.



STEP11: Following below illustration.

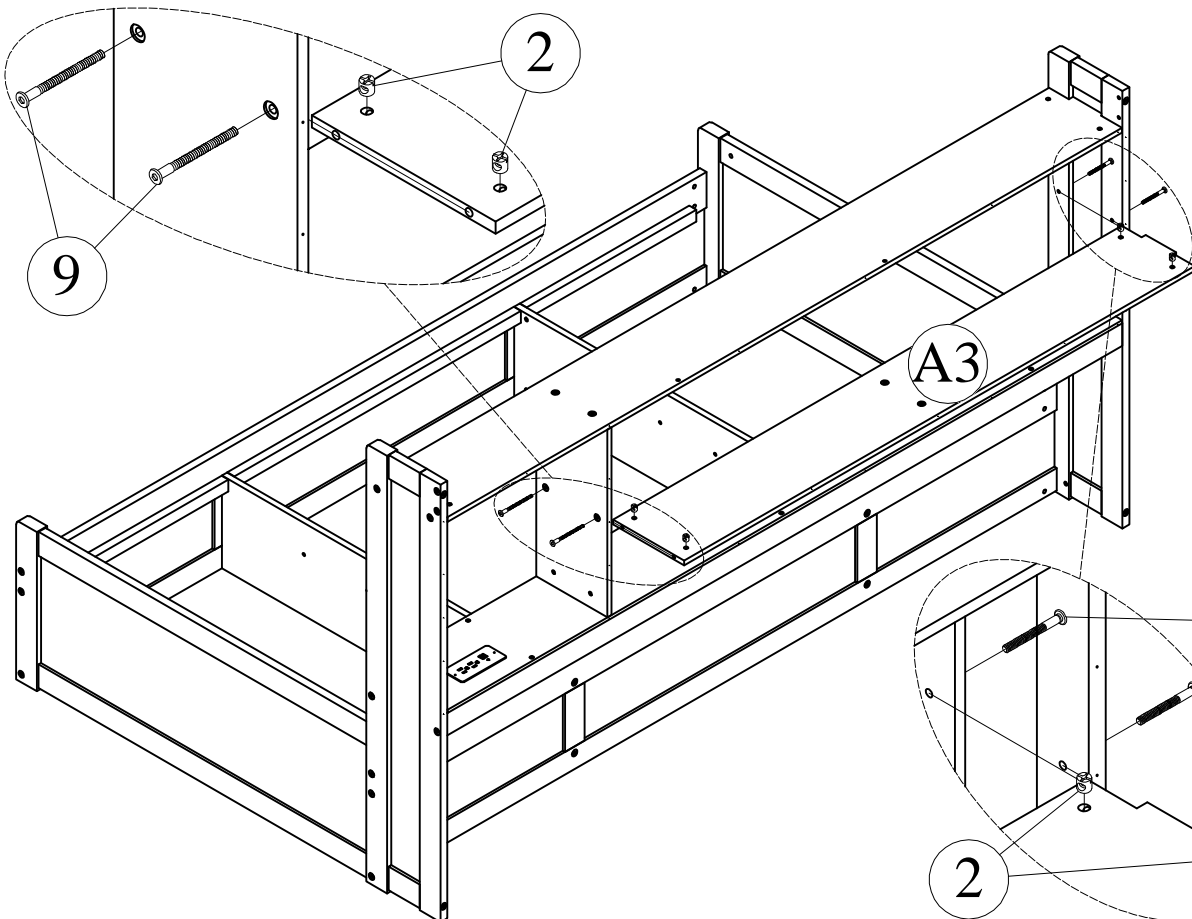





- | | |
|------|---|
| 2 |  |
| 4pcs | |
| 9 |  |
| 4pcs | |

2

9

STEP12: Following below illustration.

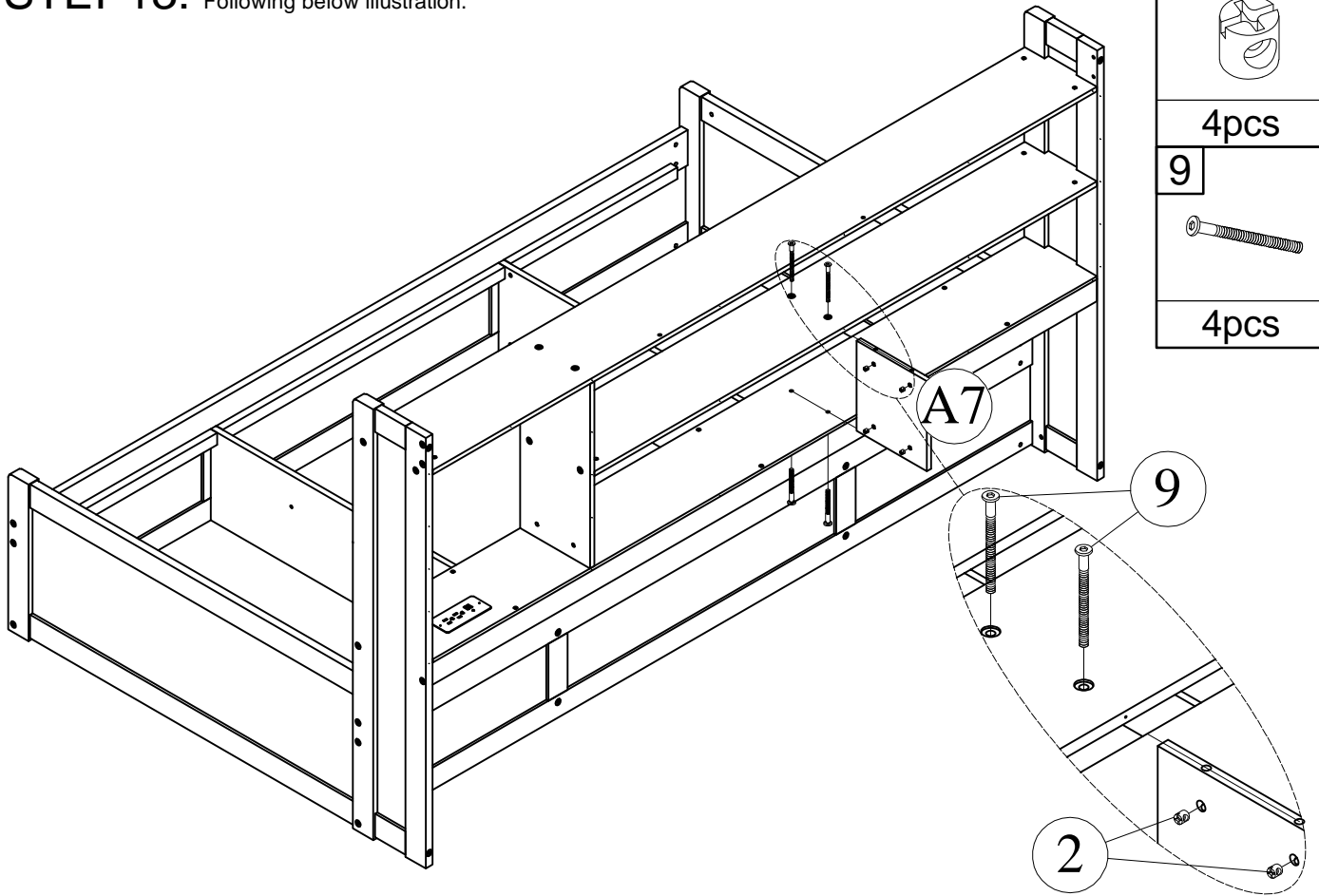


- | | |
|------|---|
| 1 |  |
| 2pcs | |
| 2 |  |
| 4pcs | |
| 9 |  |
| 2pcs | |

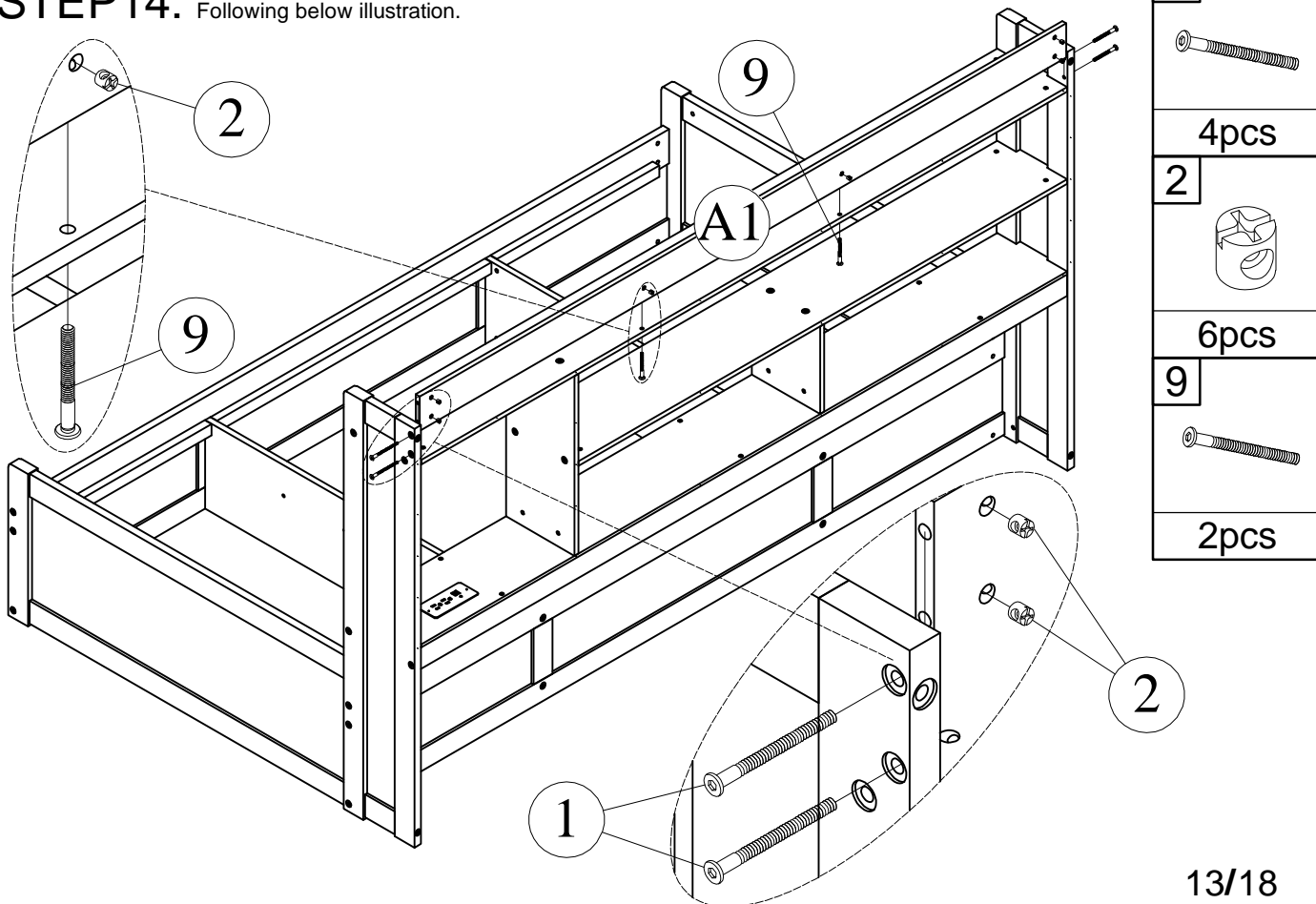
1

2

STEP13: Following below illustration.

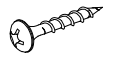


STEP14: Following below illustration.

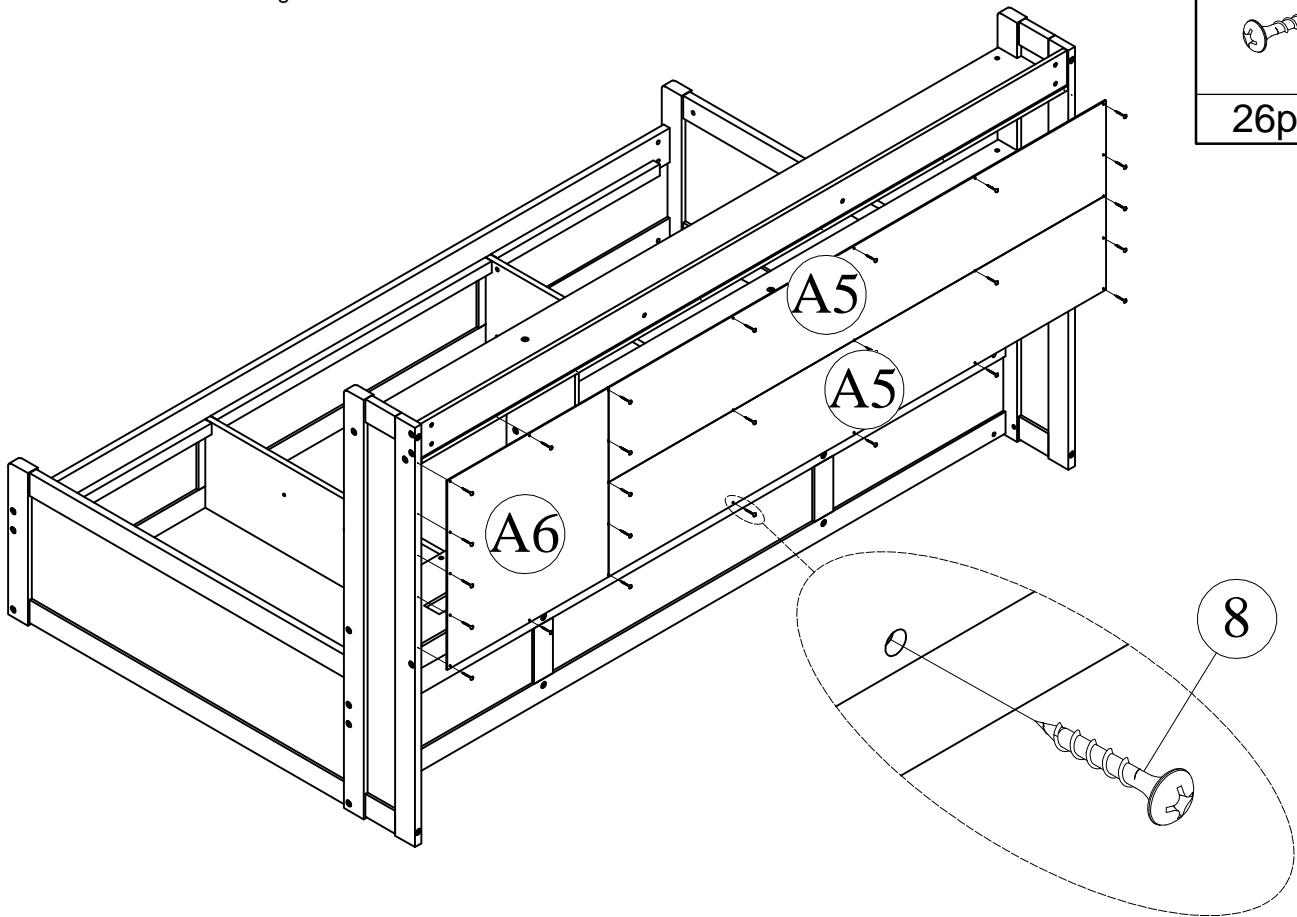


STEP15: Following below illustration.

8

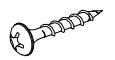


26pcs

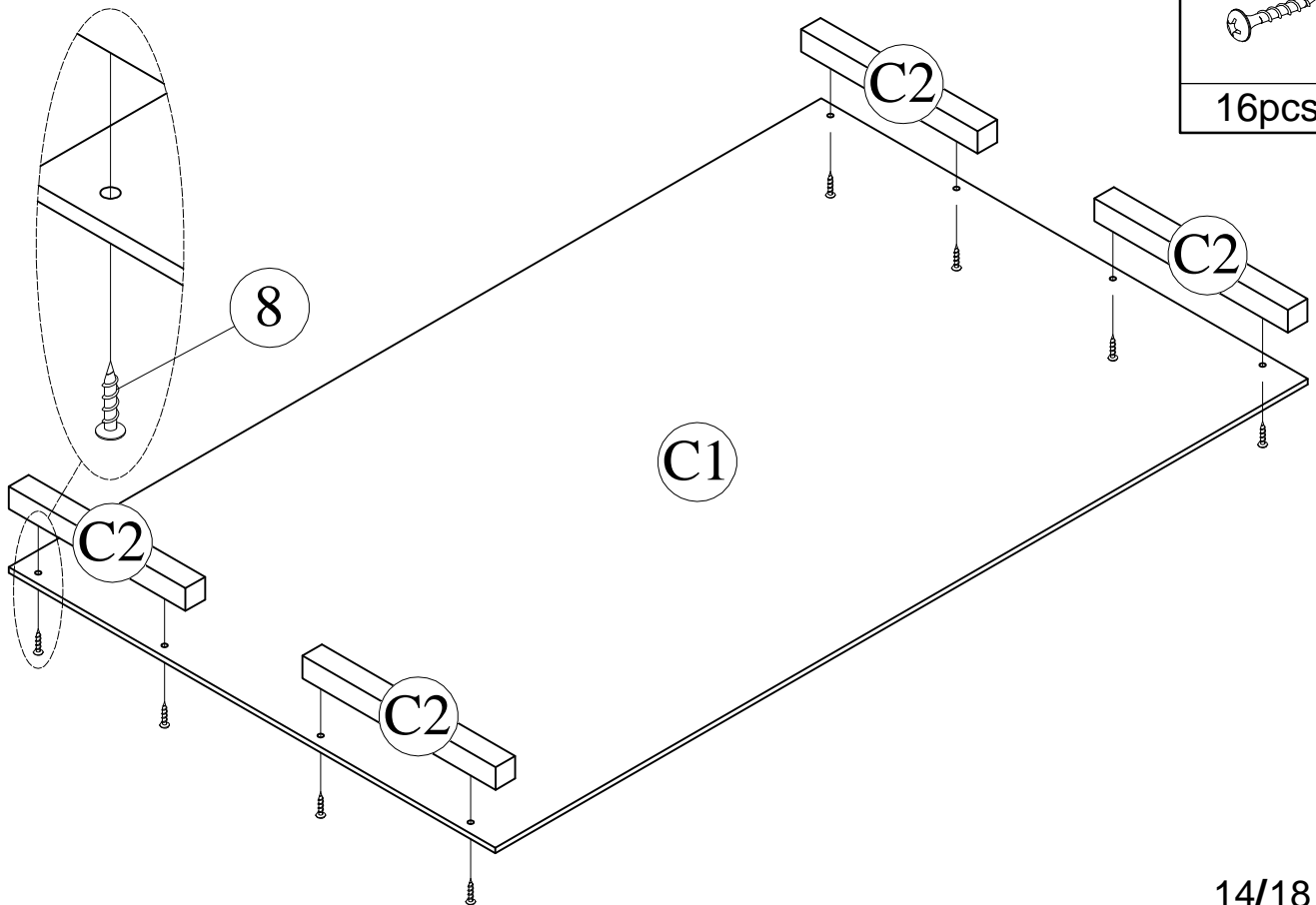


STEP16:x2 Following below illustration.

8

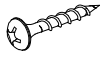


16pcs

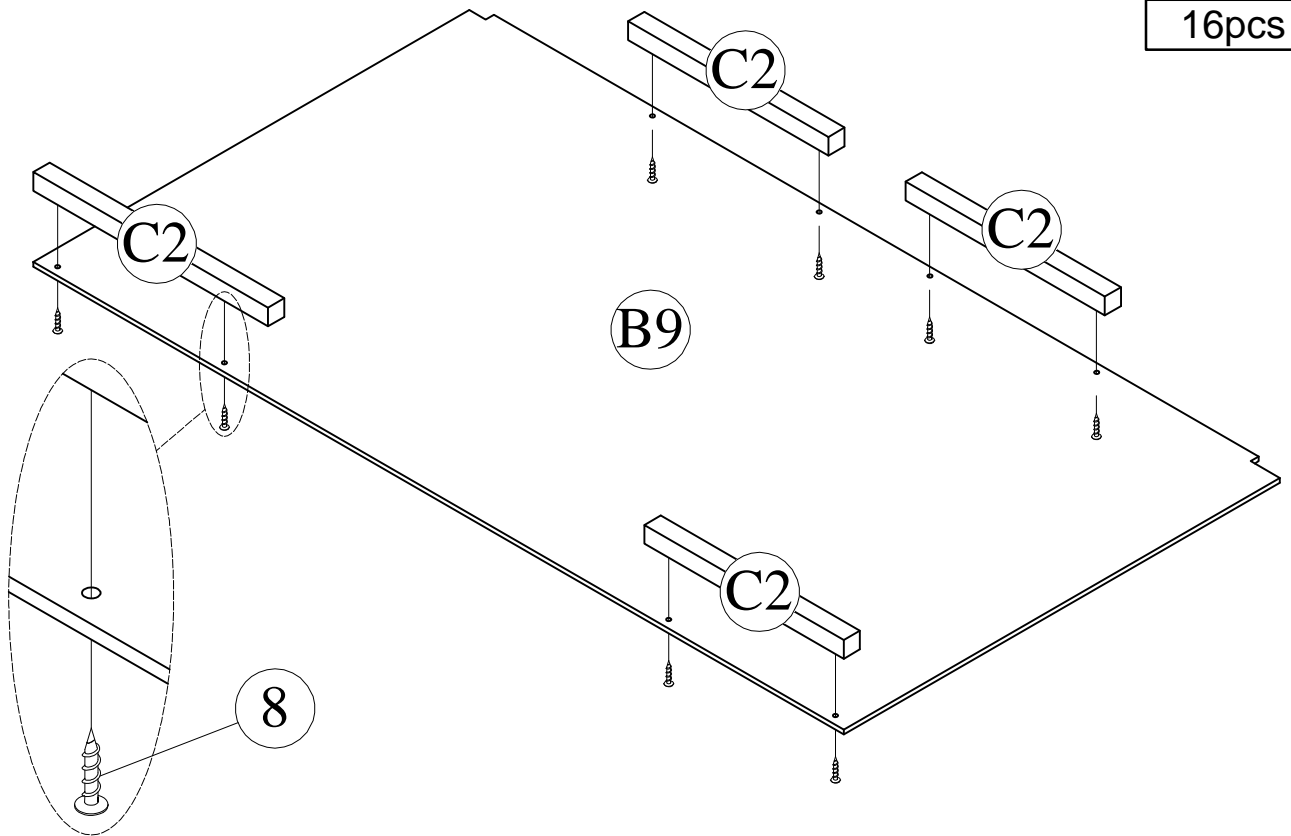


STEP17:x2 Following below illustration.

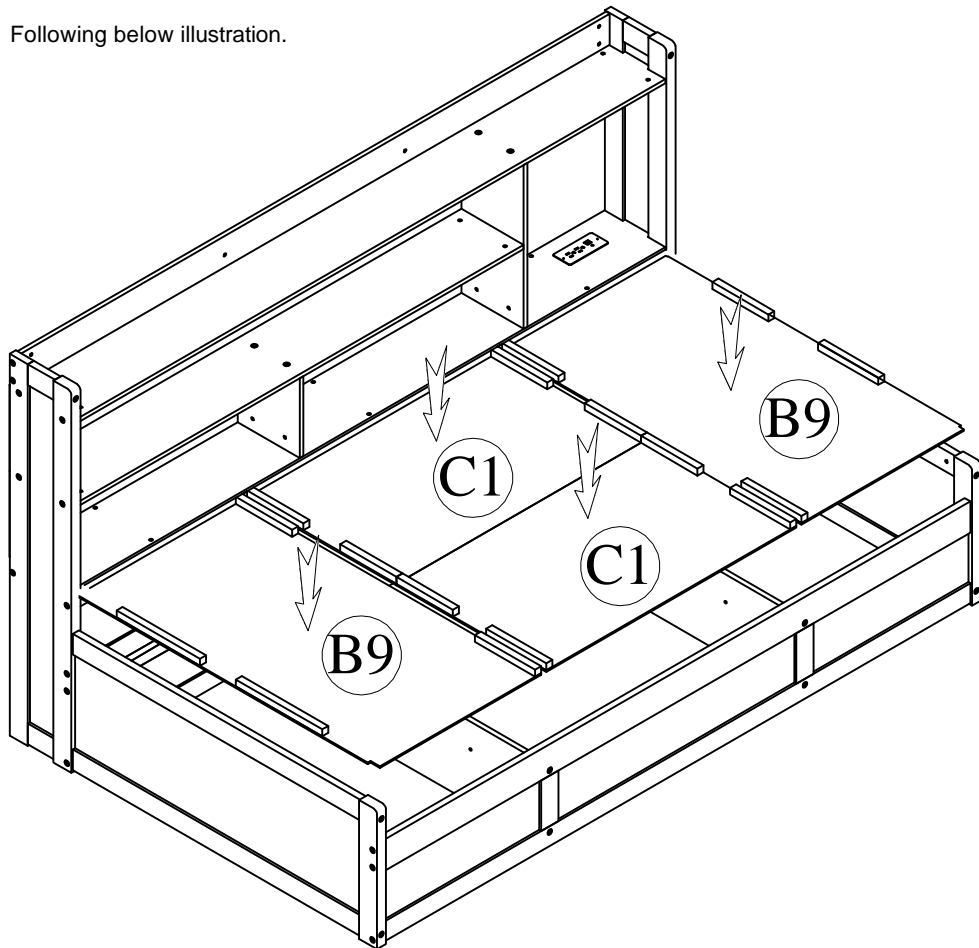
8





16pcs

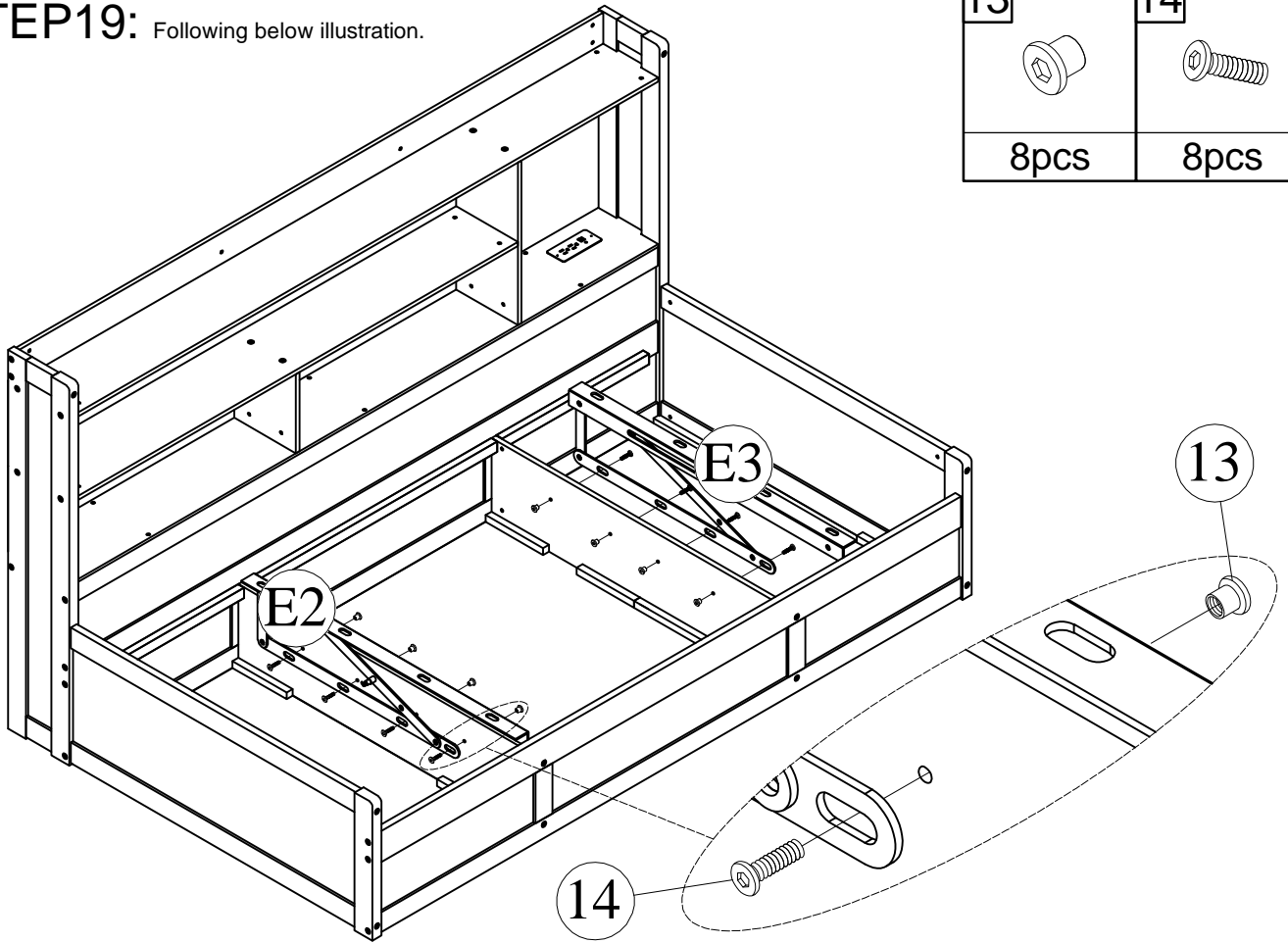


STEP18: Following below illustration.





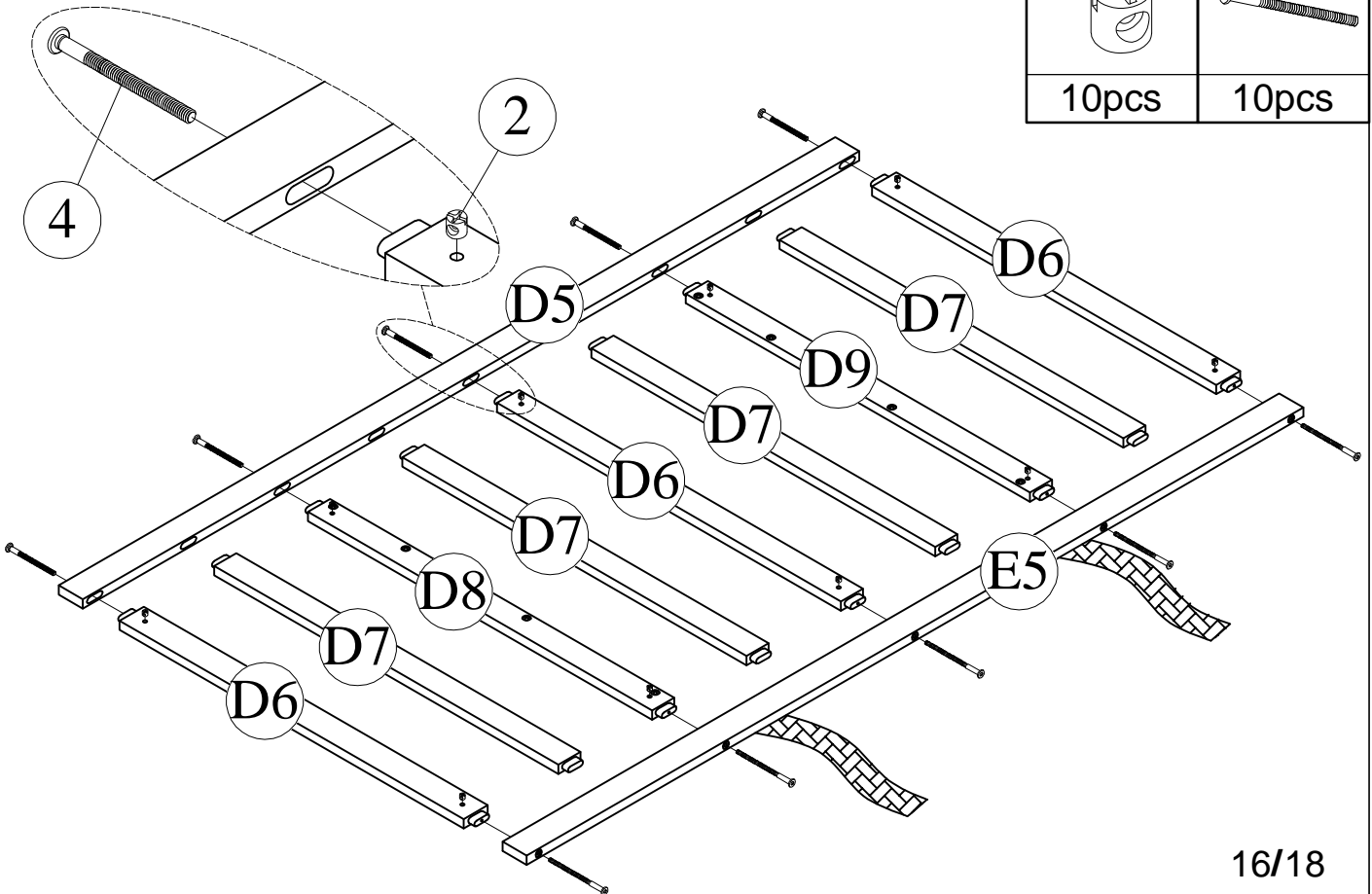
STEP19: Following below illustration.

13	14
	
8pcs	8pcs





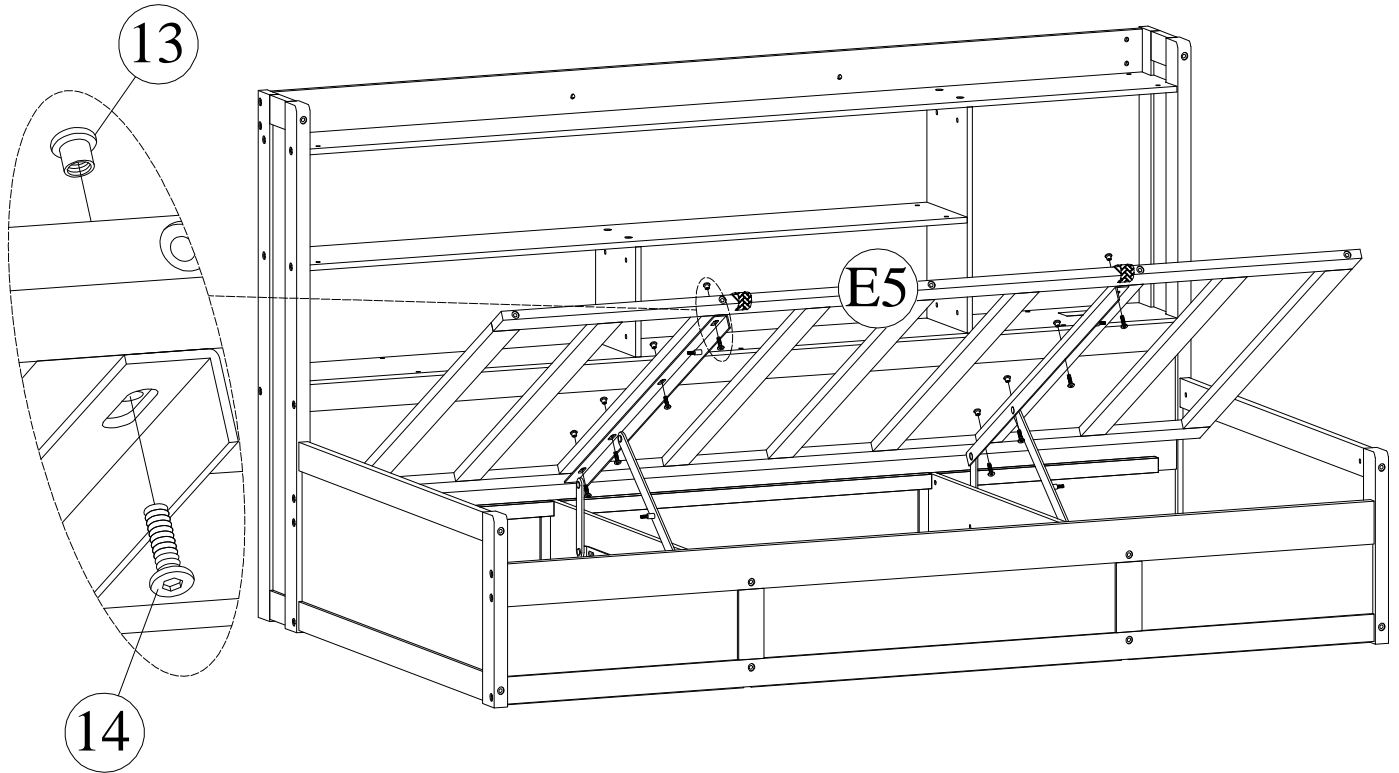
STEP20: Following below illustration.

2	4
	
10pcs	10pcs

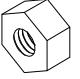


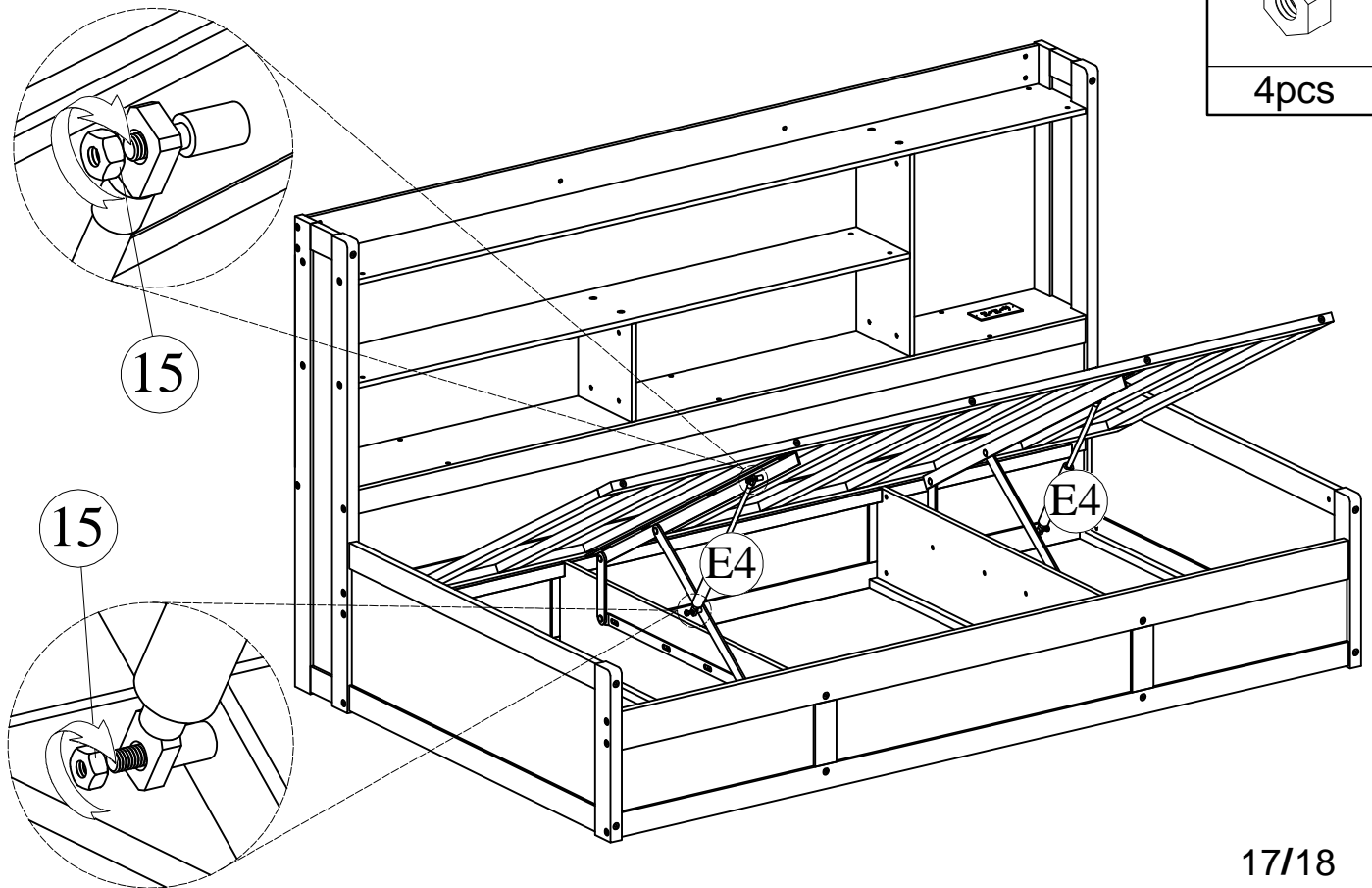
STEP21: Following below illustration.

13	14
	
8pcs	8pcs

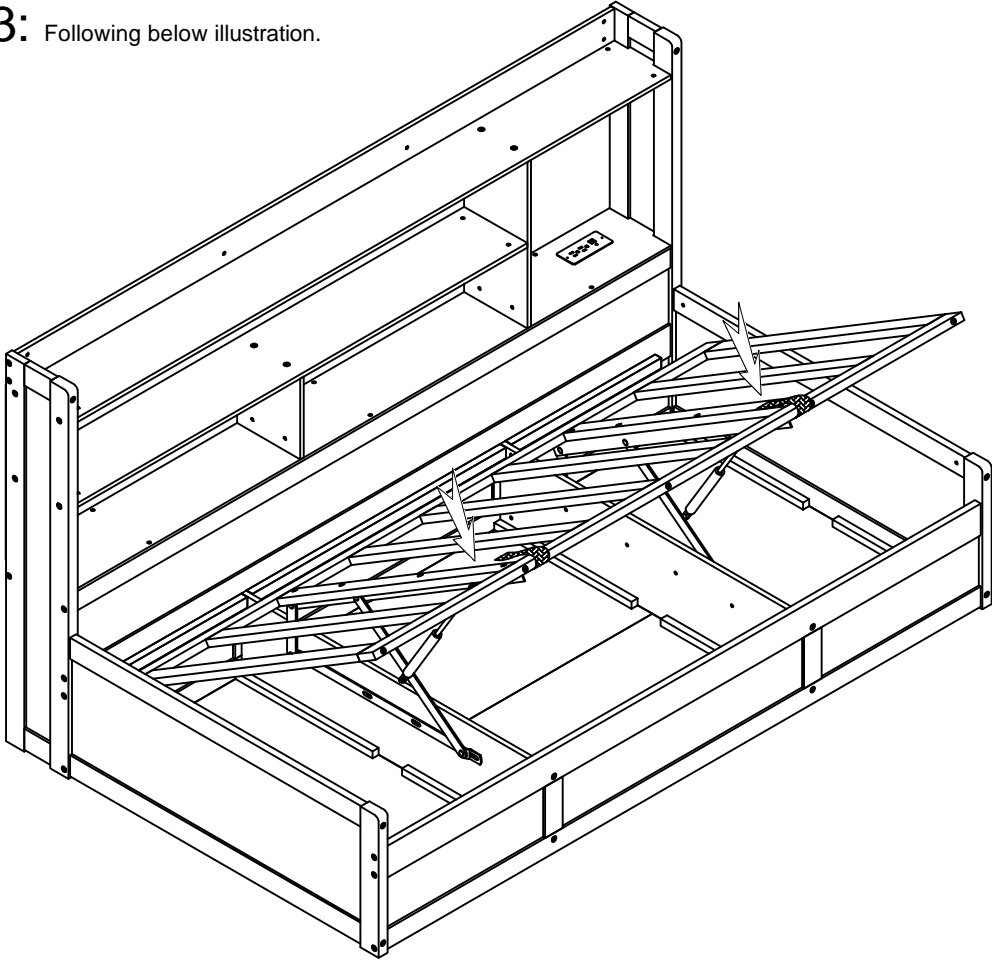


STEP22: Following below illustration.

15

4pcs



STEP23: Following below illustration.



FINISH:

