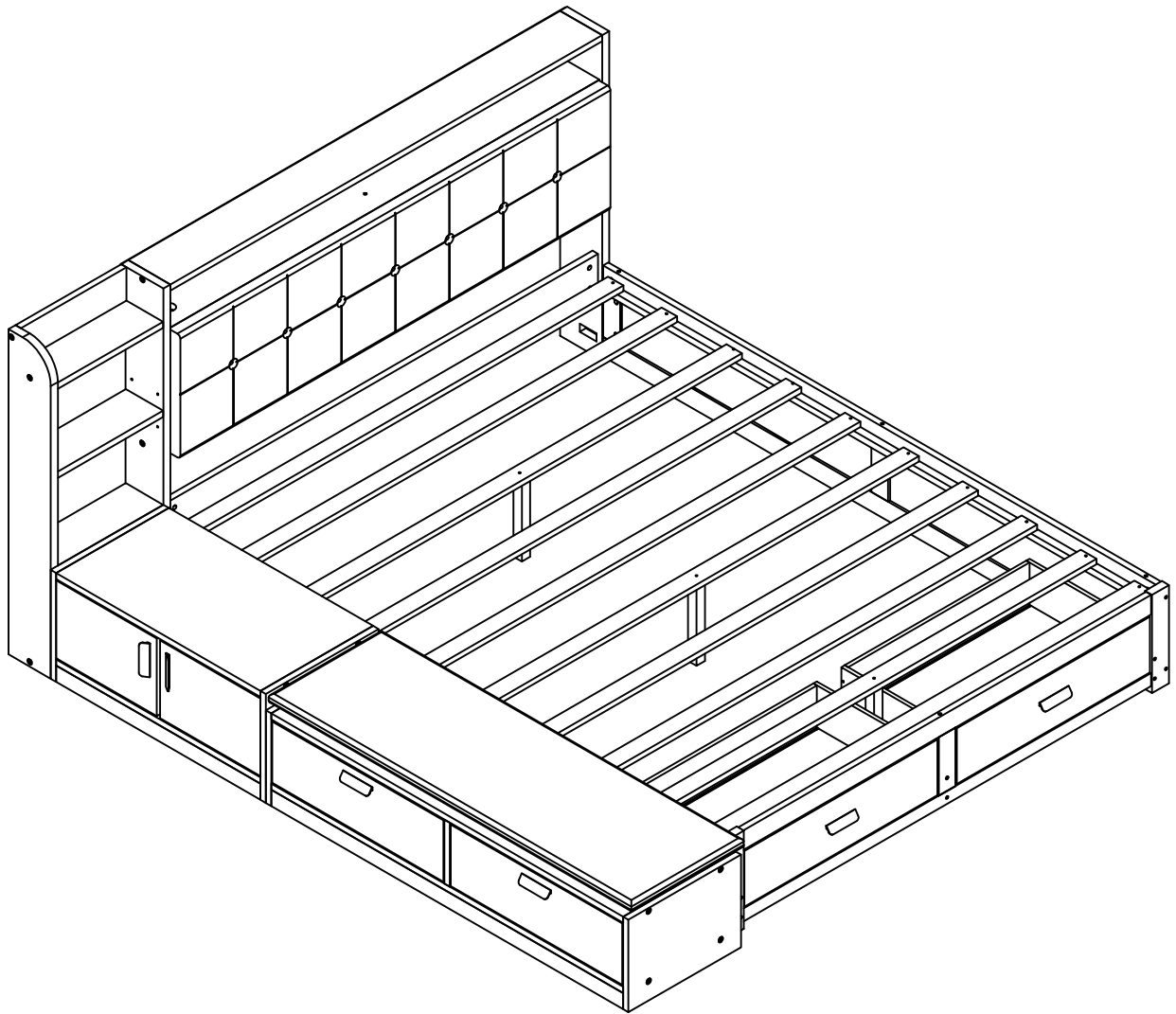
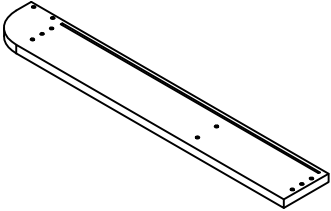
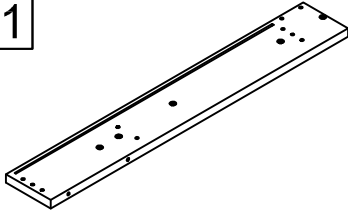
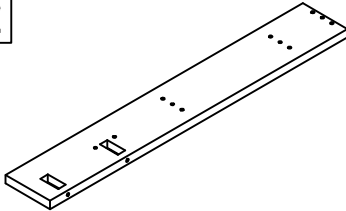
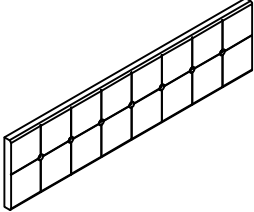


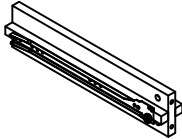
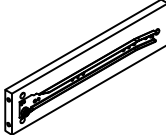
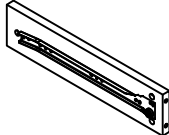

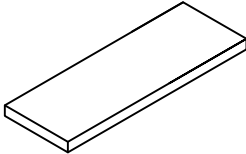
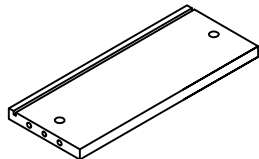
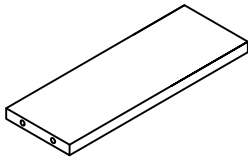
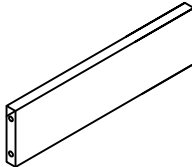
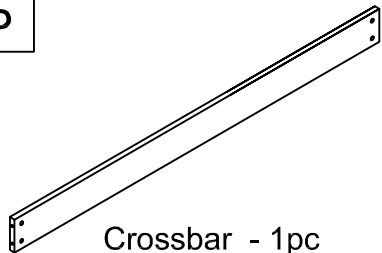
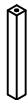
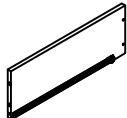
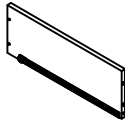
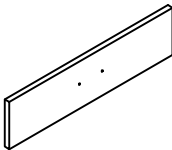
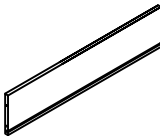
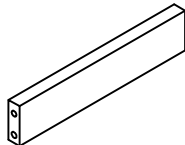


ASSEMBLY INSTRUCTION

SKU CODE:(WF316013-WF316014-WF316015)

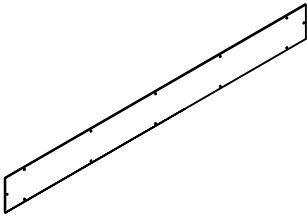


Part List (WF316013)

<p>A</p>  <p>Leg (HB Font) - 1pc</p>	<p>A1</p>  <p>Leg (HB Font) - 1pc</p>	<p>A2</p>  <p>Leg (HB Font) - 1pc</p>
<p>B</p>  <p>HB Frames - 1pc</p>	<p>C</p>  <p>Standing Plate - 1pc</p>	<p>D5</p>  <p>Standing Plate - 2pcs</p>
<p>D6</p>  <p>Bar Drawers - 1pc</p>	<p>D7</p>  <p>Bar Drawers - 1pc</p>	<p>D8</p>  <p>Bar Drawers - 1pc</p>
<p>K</p>  <p>Standing Plate - 1pc</p>	<p>M</p>  <p>Crossbar - 1pc</p>	<p>M1</p>  <p>Crossbar - 2pcs</p>
<p>M2</p>  <p>Crossbar - 1pc</p>	<p>N</p>  <p>Standing Plate - 1pc</p>	<p>P</p>  <p>Crossbar - 1pc</p>
<p>H</p>  <p>Support Leg - 3pcs</p>	<p>S1</p>  <p>Draws - Side Panels - 2pcs</p>	<p>S2</p>  <p>Draws - Side Panels - 2pcs</p>
<p>X</p>  <p>Draws - Side Panels - 2pcs</p>	<p>X2</p>  <p>Draws - Back Panels - 2pcs</p>	<p>E</p>  <p>Bar - 1pc</p>

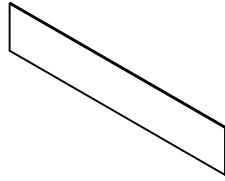
Part List (WF316014)

B2



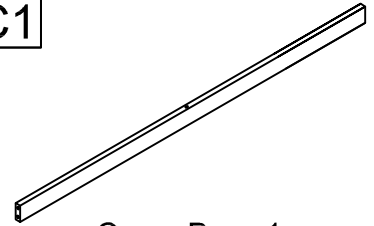
Sheets -1pc

B3



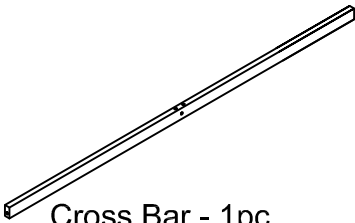
Sheets - 4pcs

C1



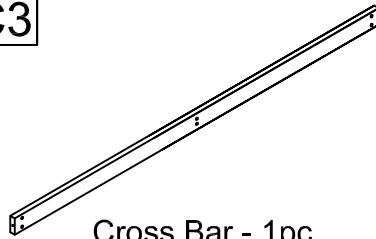
Cross Bar - 1pc

C2



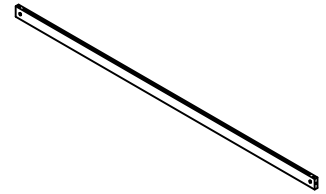
Cross Bar - 1pc

C3



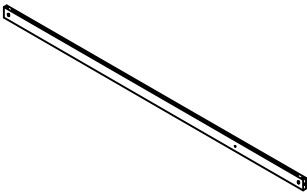
Cross Bar - 1pc

D



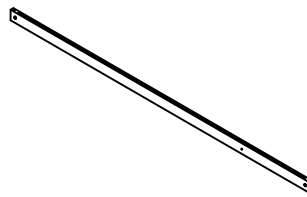
Side Rails - 2pcs

D1



Cross Bar - 1pc

D2



Cross Bar - 1pc

D3



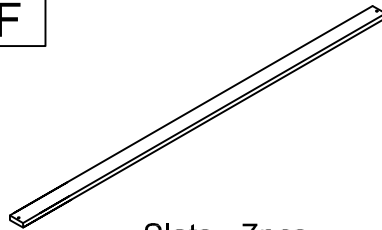
Standing Plate - 2pcs

D4



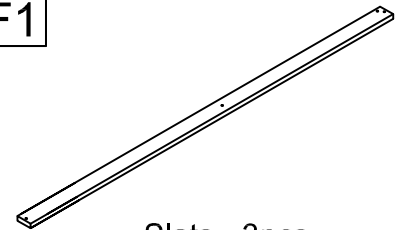
Standing Plate - 2pcs

F



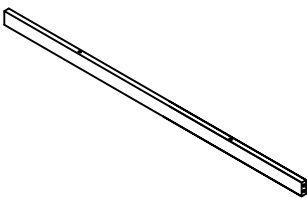
Slats - 7pcs

F1



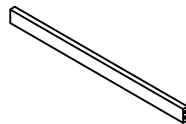
Slats - 3pcs

Q



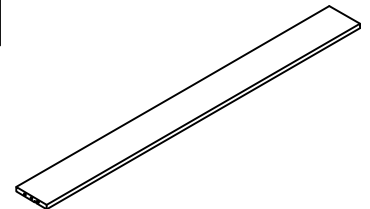
Cabinet Legs - 2pcs

Q3



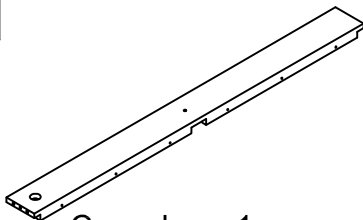
Cabinet Legs - 2pcs

L



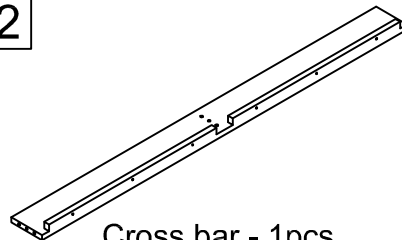
Cross bar - 1pcs

L1



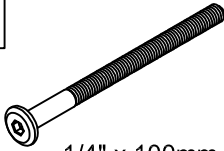
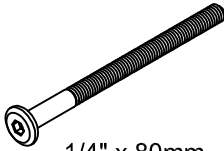
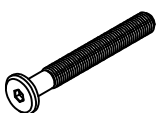
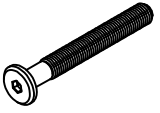
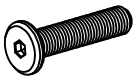
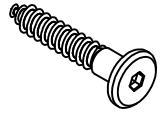


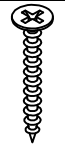

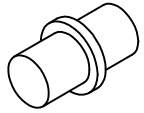
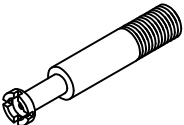
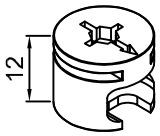
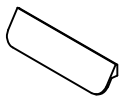


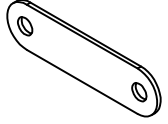
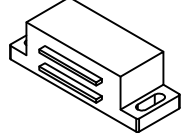
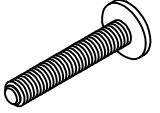

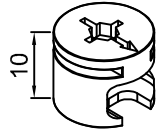
Cross bar - 1pcs

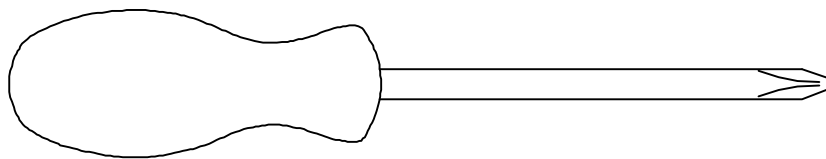
L2



Cross bar - 1pcs

Hardware List (WF316014)

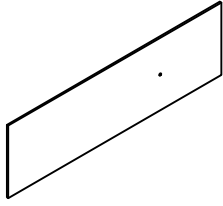
<p>1</p>  <p>1/4" x 100mm Hex-Head bolts 17pcs</p>	<p>2</p>  <p>1/4" x 80mm Hex-Head bolts 1pc</p>	<p>3</p>  <p>1/4" x 60mm Hex-Head bolts 28pcs</p>	<p>4</p>  <p>1/4" x 50mm Hex-Head bolts 23pcs</p>
<p>5</p>  <p>1/4" x 30mm Hex-Head bolts 3pcs</p>	<p>6</p>  <p>1/4" x 50mm Wood Screws 2pcs</p>	<p>7</p>  <p>Ø8 x 30mm Wood Dowel 97pcs</p>	<p>8</p>  <p>1/4" x 15mm Horizontal +Hole bolts 69pcs</p>
<p>9</p>  <p>M4 x 15 mm Wood Screws 12pcs</p>	<p>10</p>  <p>M4 x 30 mm Wood Screws 40pcs</p>	<p>11</p>  <p>M3.5 x 15 mm Wood Screws 16pcs</p>	<p>12</p>  <p>Support Pin 12pcs</p>
<p>13</p>  <p>Link 1 - 16 pcs</p>	<p>14</p>  <p>Link 2 - 8 pcs</p>	<p>15</p>  <p>Handle Steel 6pcs</p>	<p>16</p>  <p>USB Power Socket /Prise d'Alimentation USB 1pc</p>
<p>17</p>  <p>Led/dirigé 1pc</p>	<p>18</p>  <p>Blocking door 1-4pcs</p>	<p>19</p>  <p>Blocking door 2-4pcs</p>	<p>20</p>  <p>M4 x 25 mm Hex-Head bolts 12pcs</p>
<p>21</p>  <p>Allen Key 1pc</p>	<p>22</p>  <p>Link 2 - 8 pcs</p>		



Assembly Tools Required (Not Included)

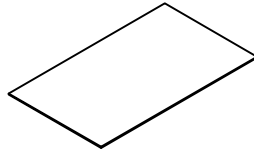
Part List (WF316015)

B1



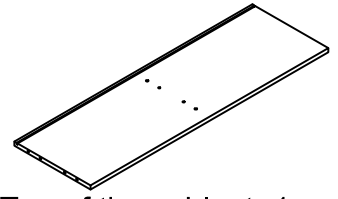
Sheets - 1pc

B4



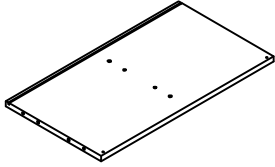
Sheets - 2pcs

Q1



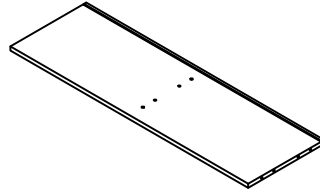
Top of the cabinet- 1pc

Q2



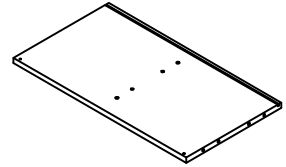
Top of the cabinet- 1pc

I1



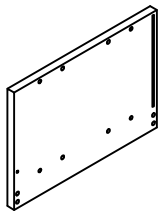
Bottom of the cabinet- 1pc

I2



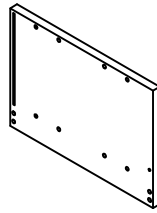
Bottom of the cabinet- 1pc

U1



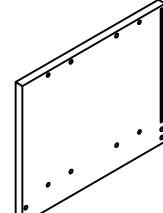
Cabinet side- 1pc

U2



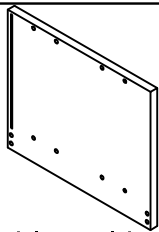
Cabinet side- 1pc

U3



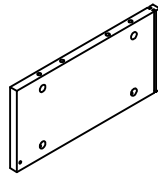
Cabinet side- 1pc

U4



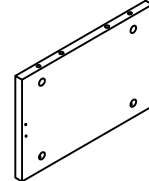
Cabinet side- 1pc

R1



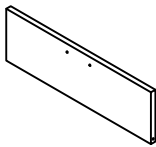
Cabinet Walls- 1pc

R2



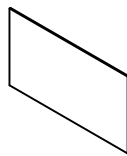
Cabinet Walls- 1pc

V



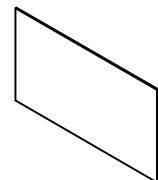
Cabinet doors- 2pcs

V1



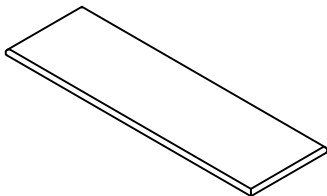
Sheets - 2pcs

V2



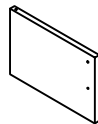
Sheets - 1pc

V3



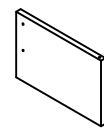
Sheets - 1pc

T1



Door - 1pc

T2



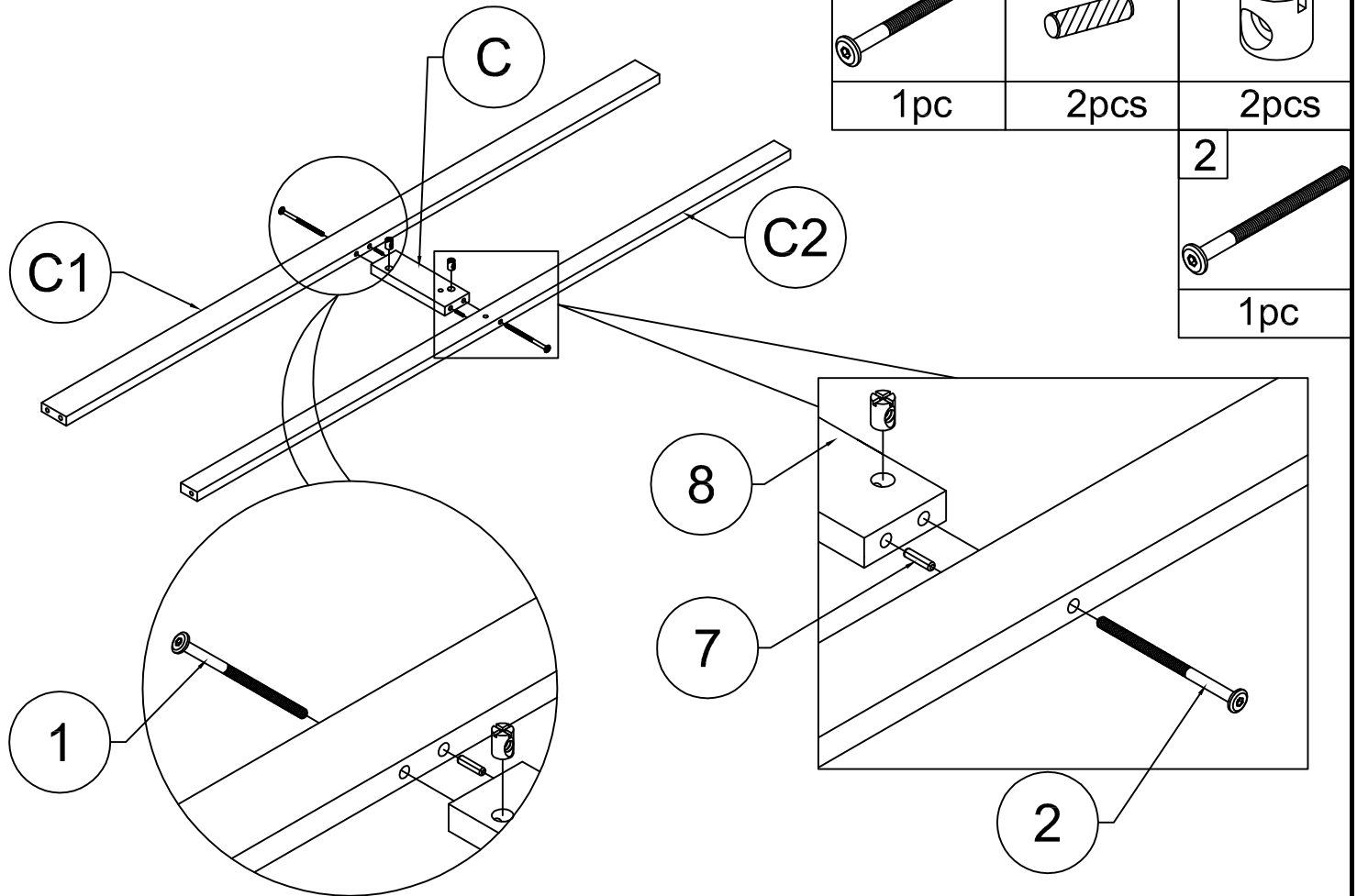
Door - 1pc

K1

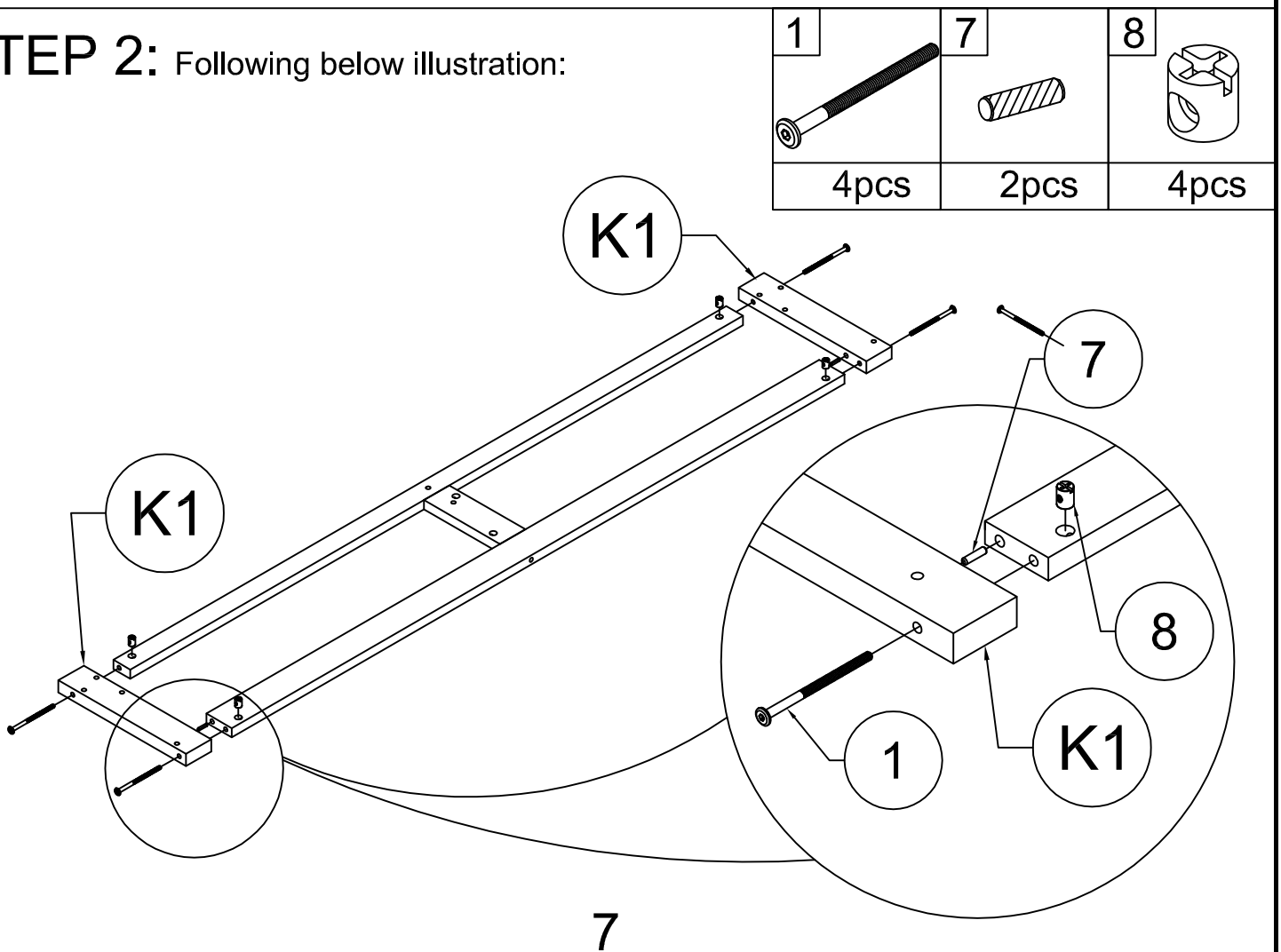


Legs FB - 2pcs

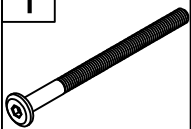
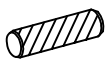

STEP 1: Following below illustration:

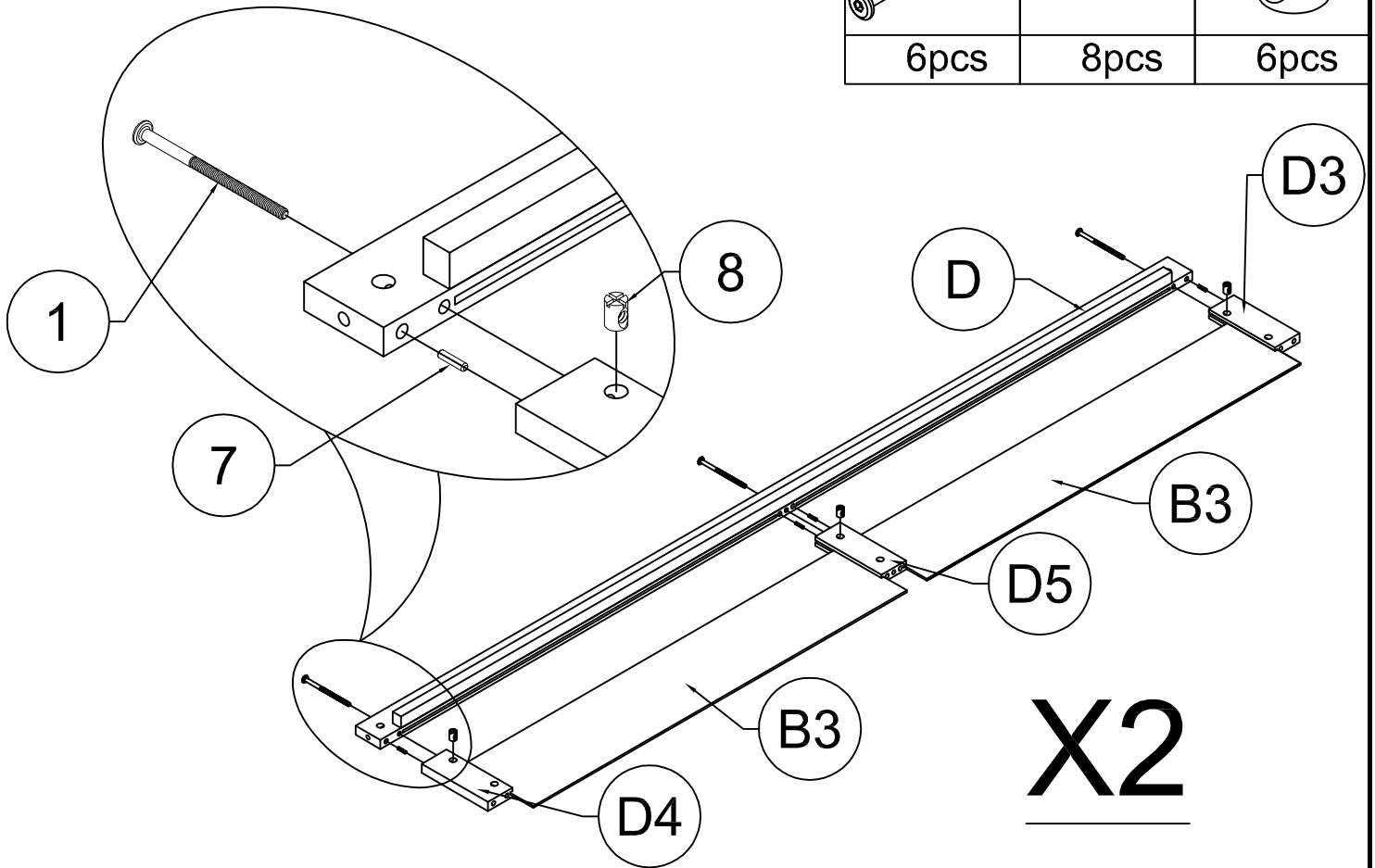


STEP 2: Following below illustration:

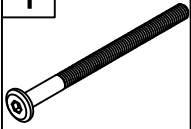
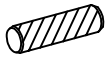



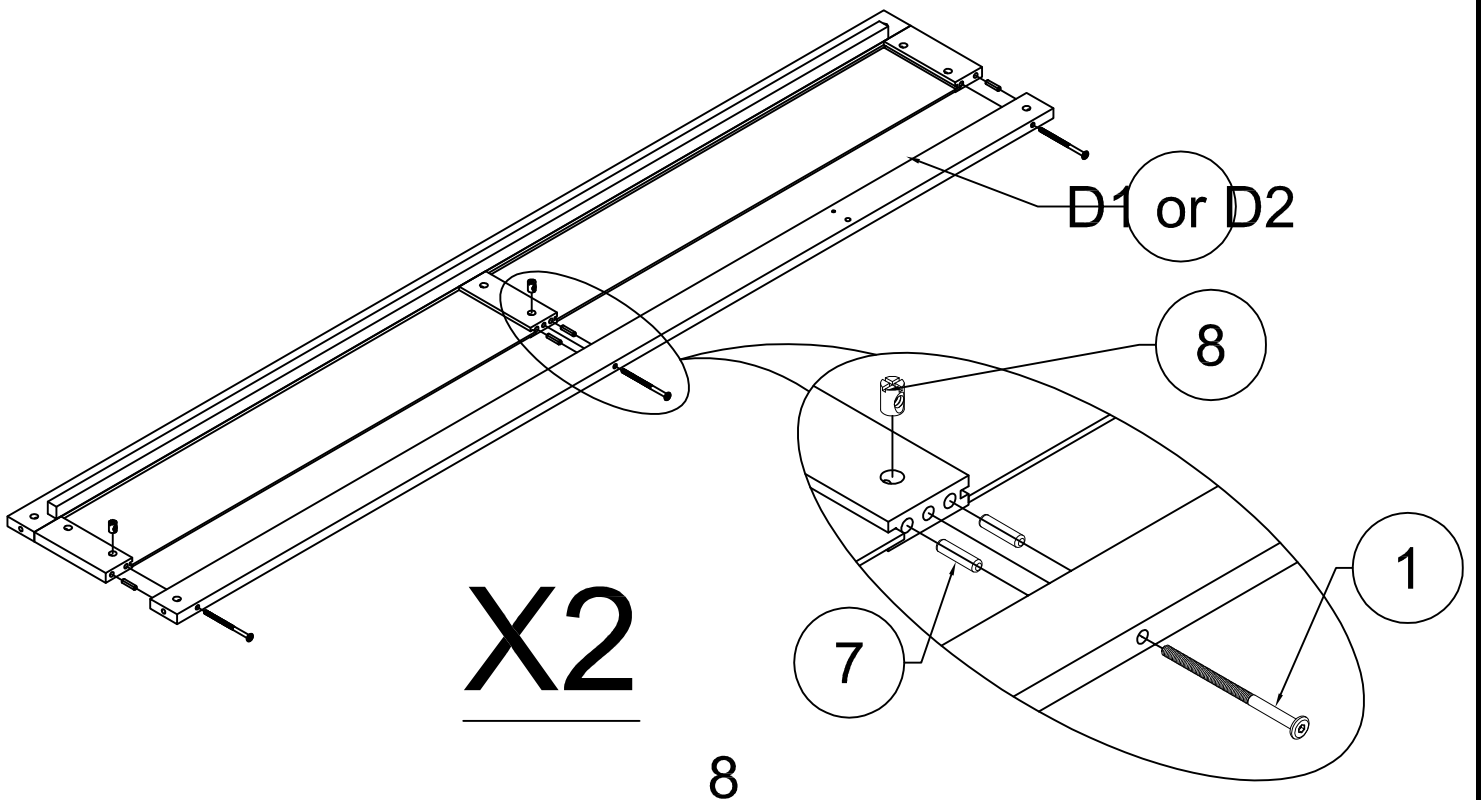
STEP 3-1: Following below illustration:

1	7	8
		
6pcs	8pcs	6pcs

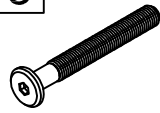
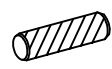
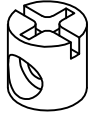


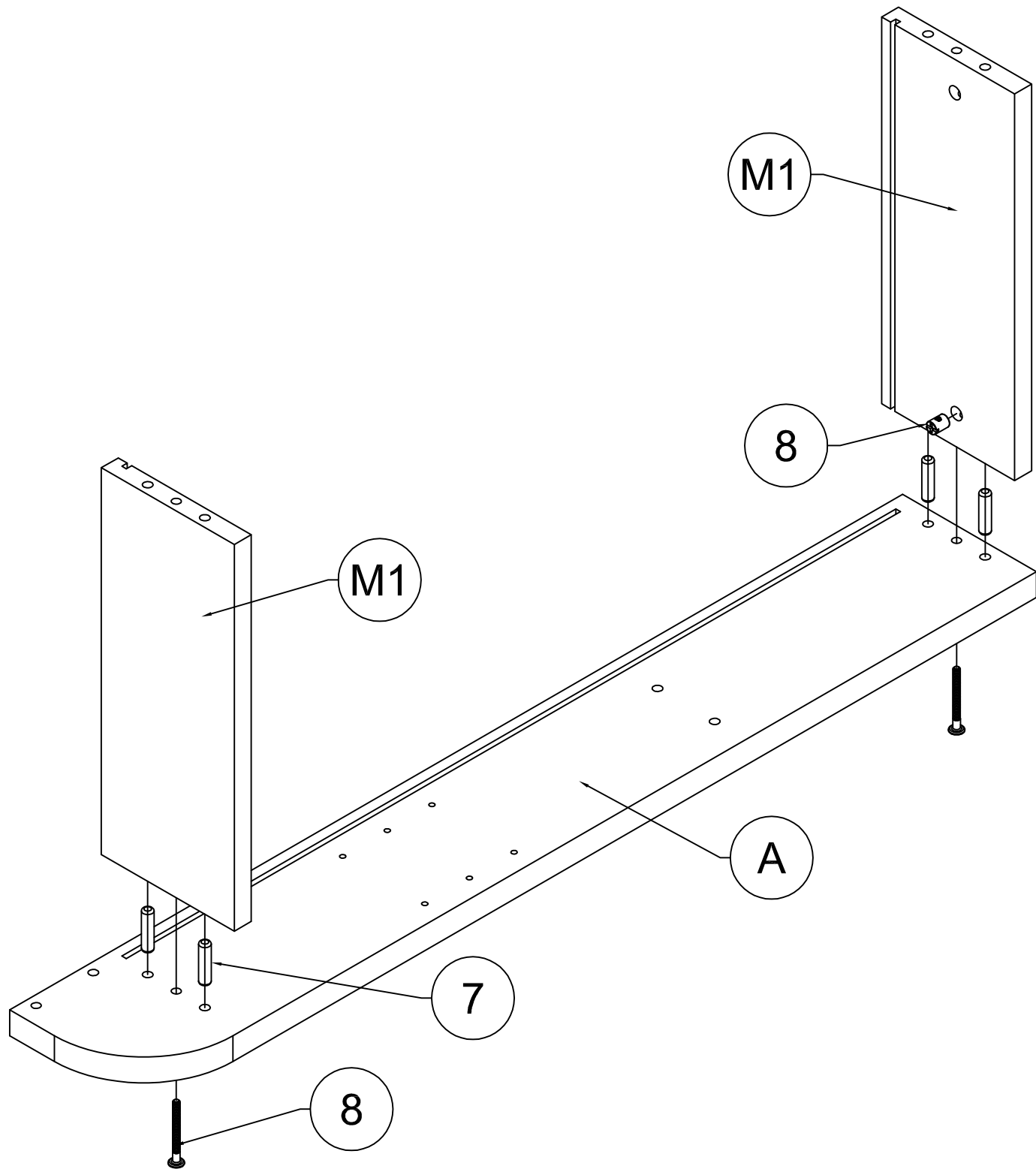
STEP 3-2: Following below illustration:

1	7	8
		
6pcs	8pcs	6pcs

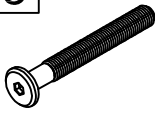
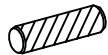



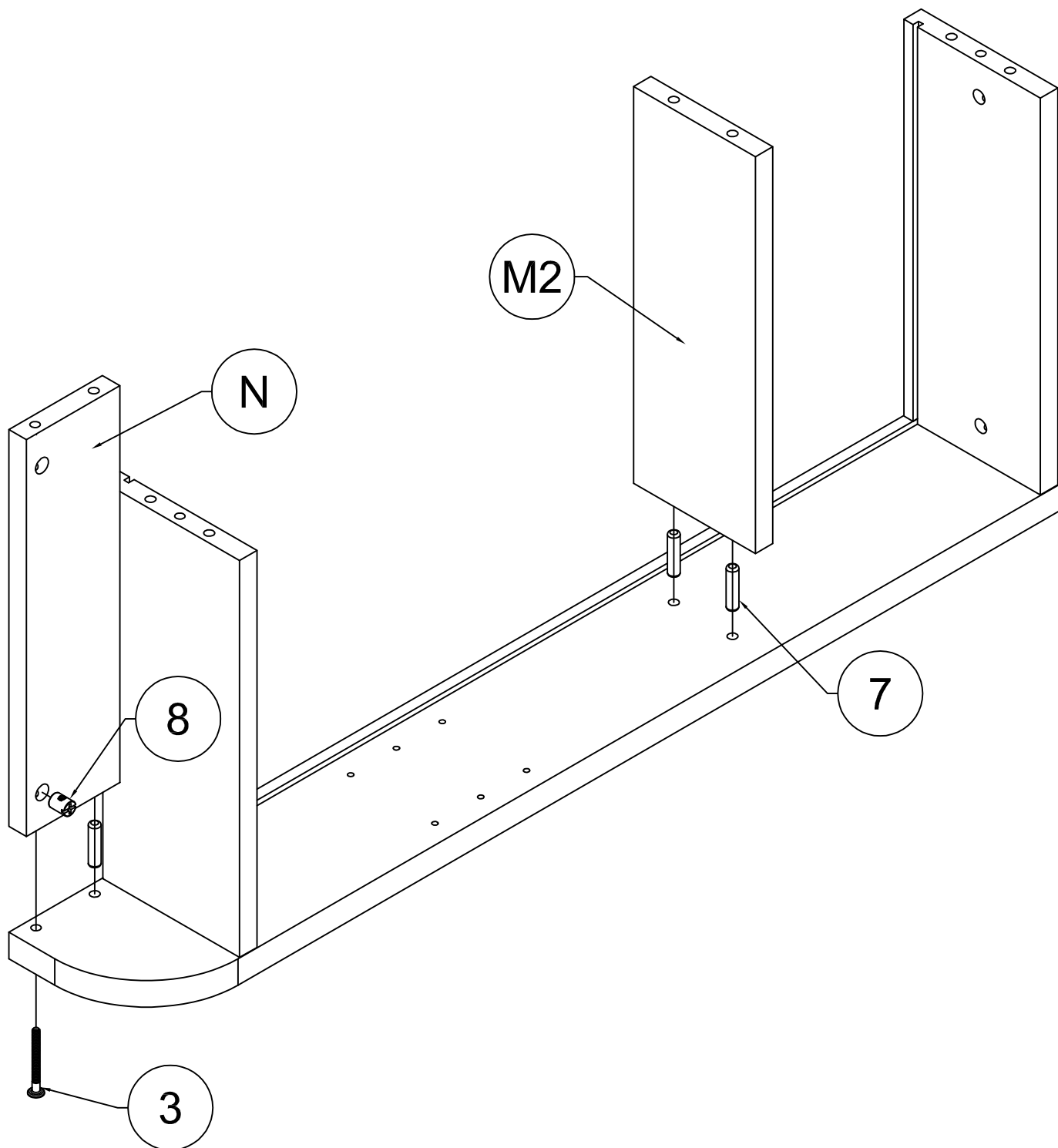
STEP 4: Following below illustration:

3	7	8
		
2pcs	4pcs	2pcs



STEP 5: Following below illustration:

3	7	8
		
1pc	3pcs	1pc



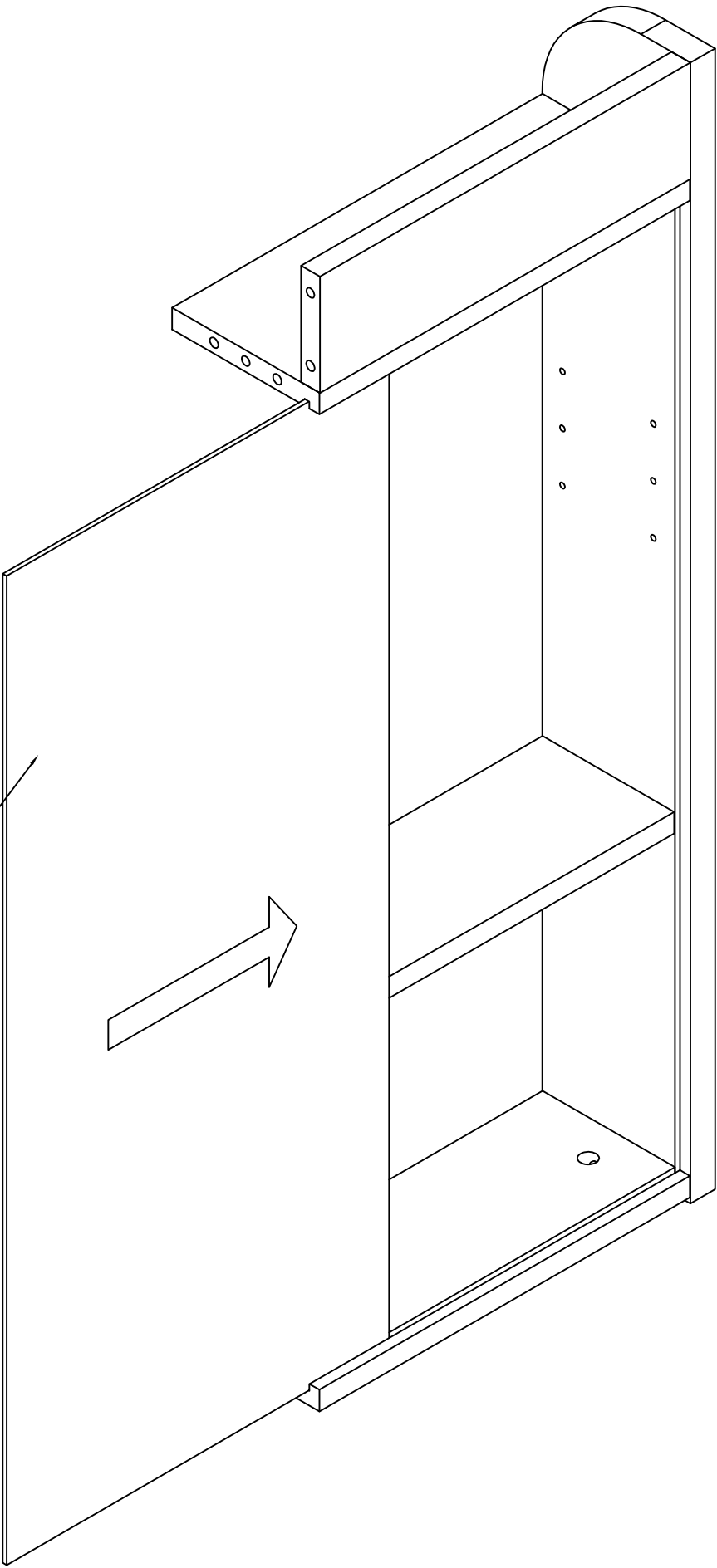
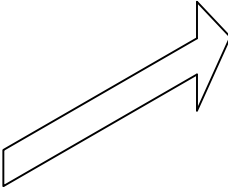
STEP 6: Following below illustration:

9

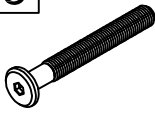
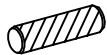



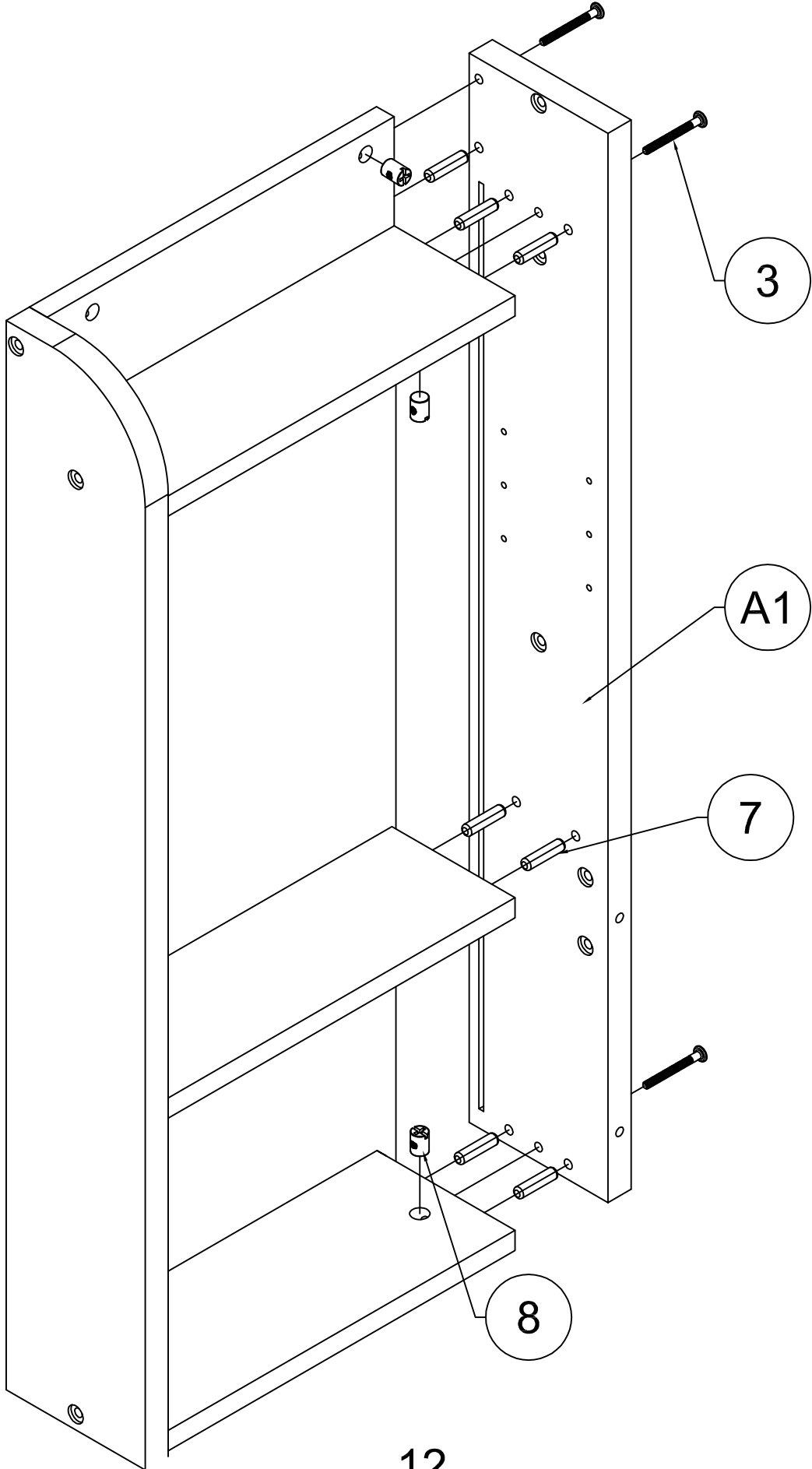
12pcs

B1

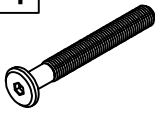
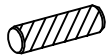



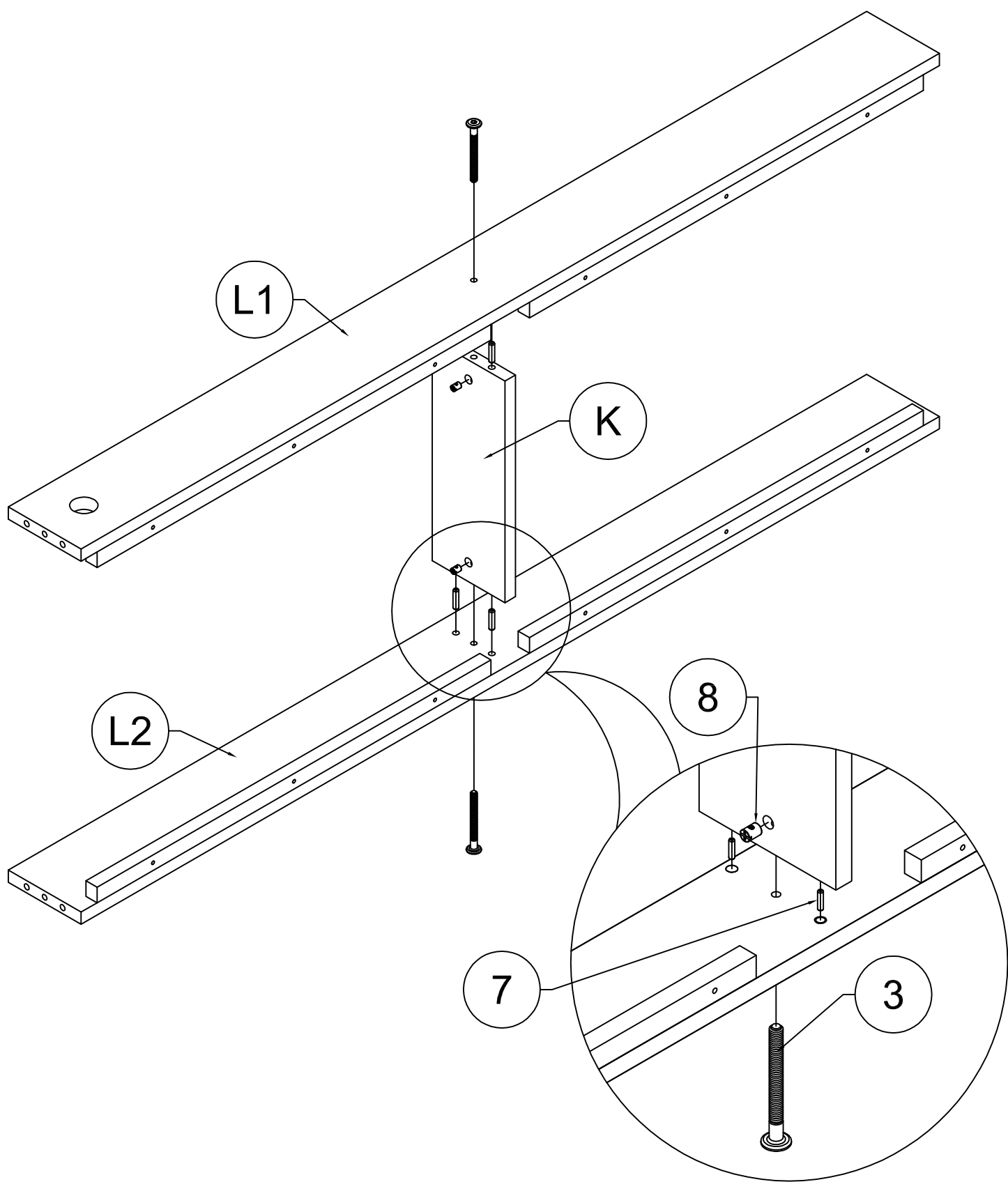
STEP 7: Following below illustration:

3	7	8
		
3pcs	7pcs	3pcs

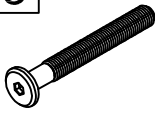
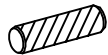



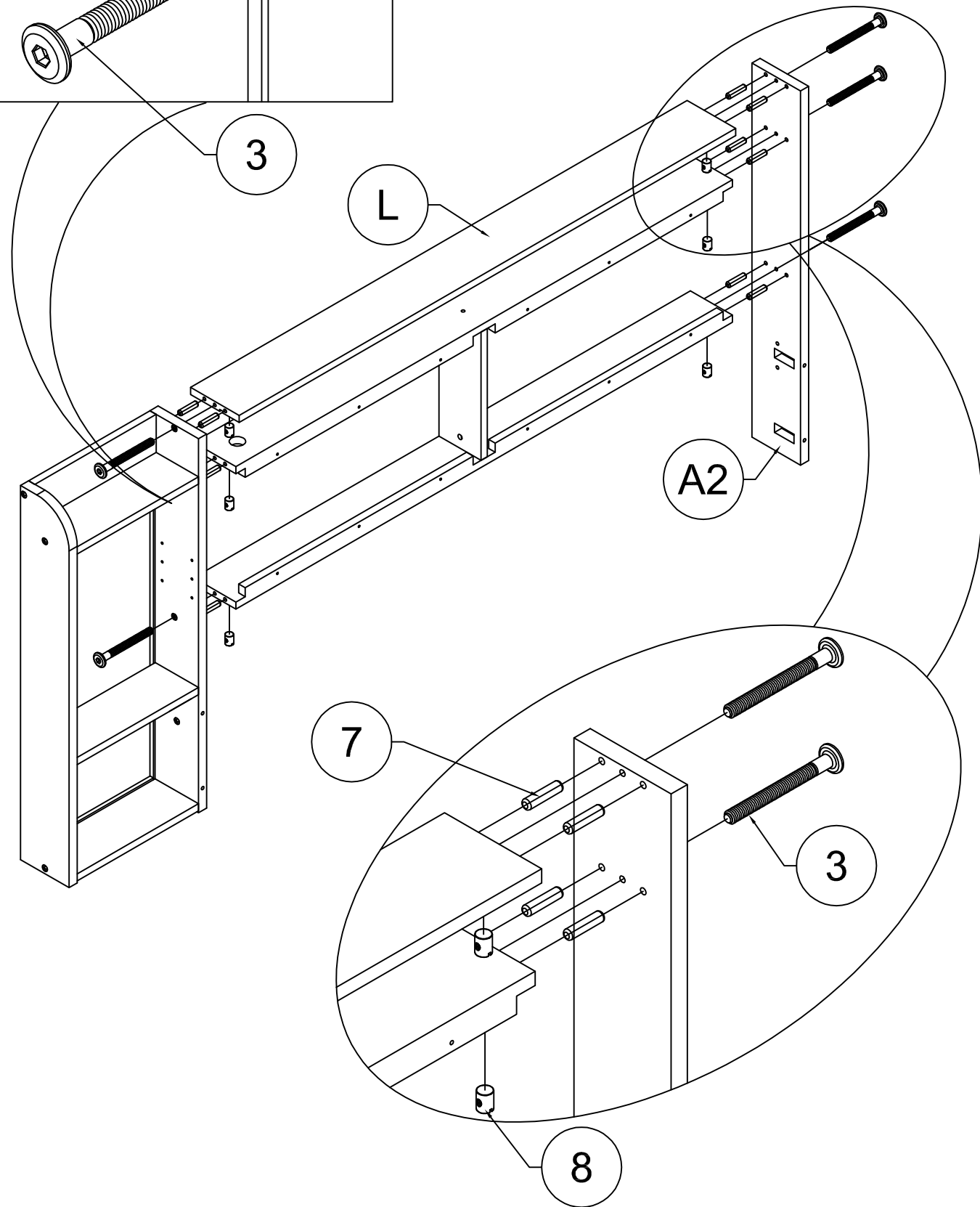
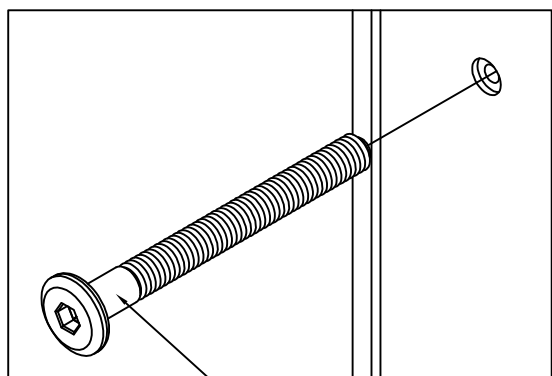
STEP 8: Following below illustration:

4	7	8
		
2pcs	4pcs	2pcs


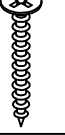


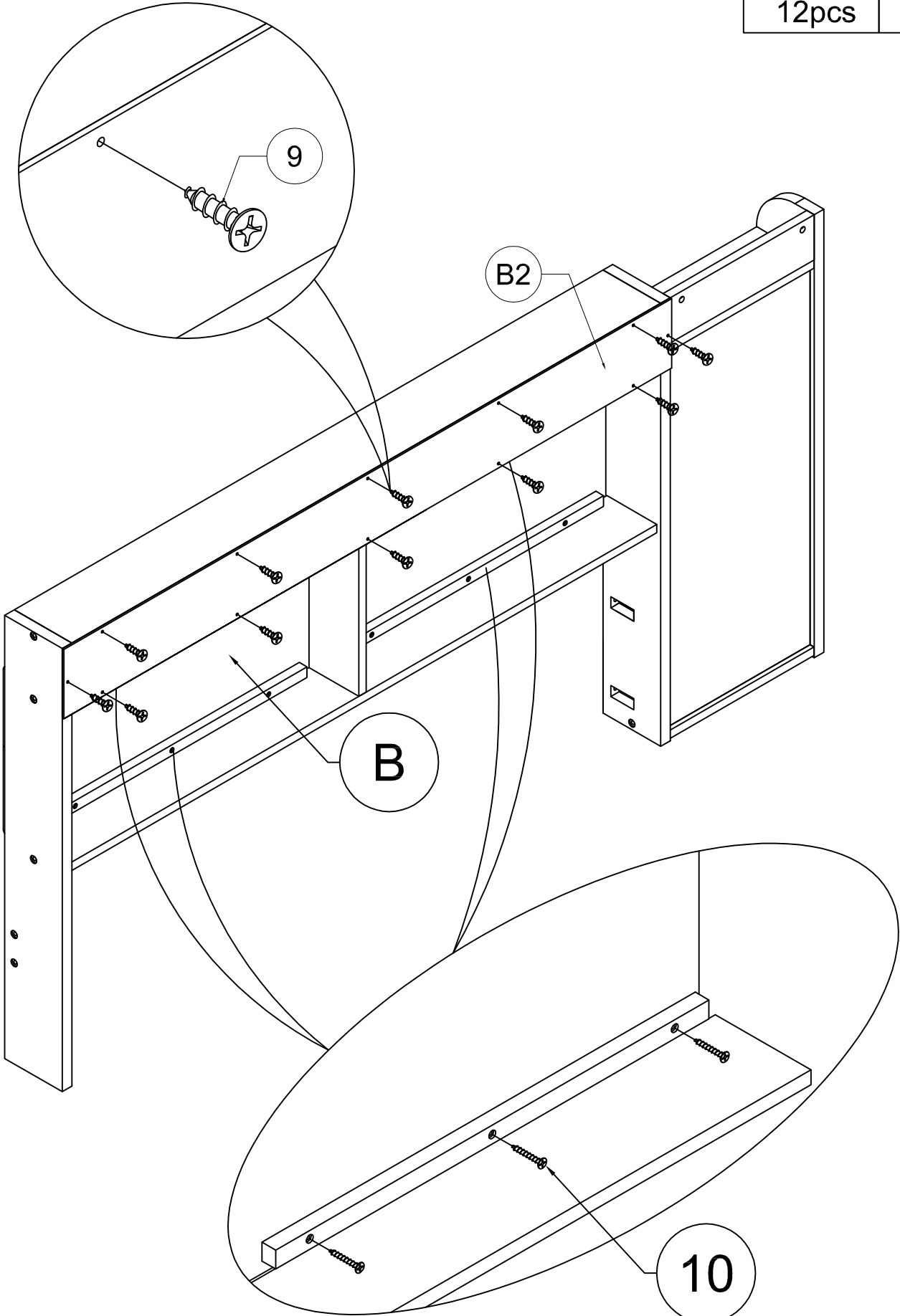
STEP 9: Following below illustration:

3	7	8
		
6pcs	12pcs	6pcs

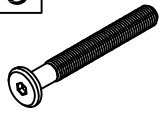
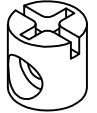


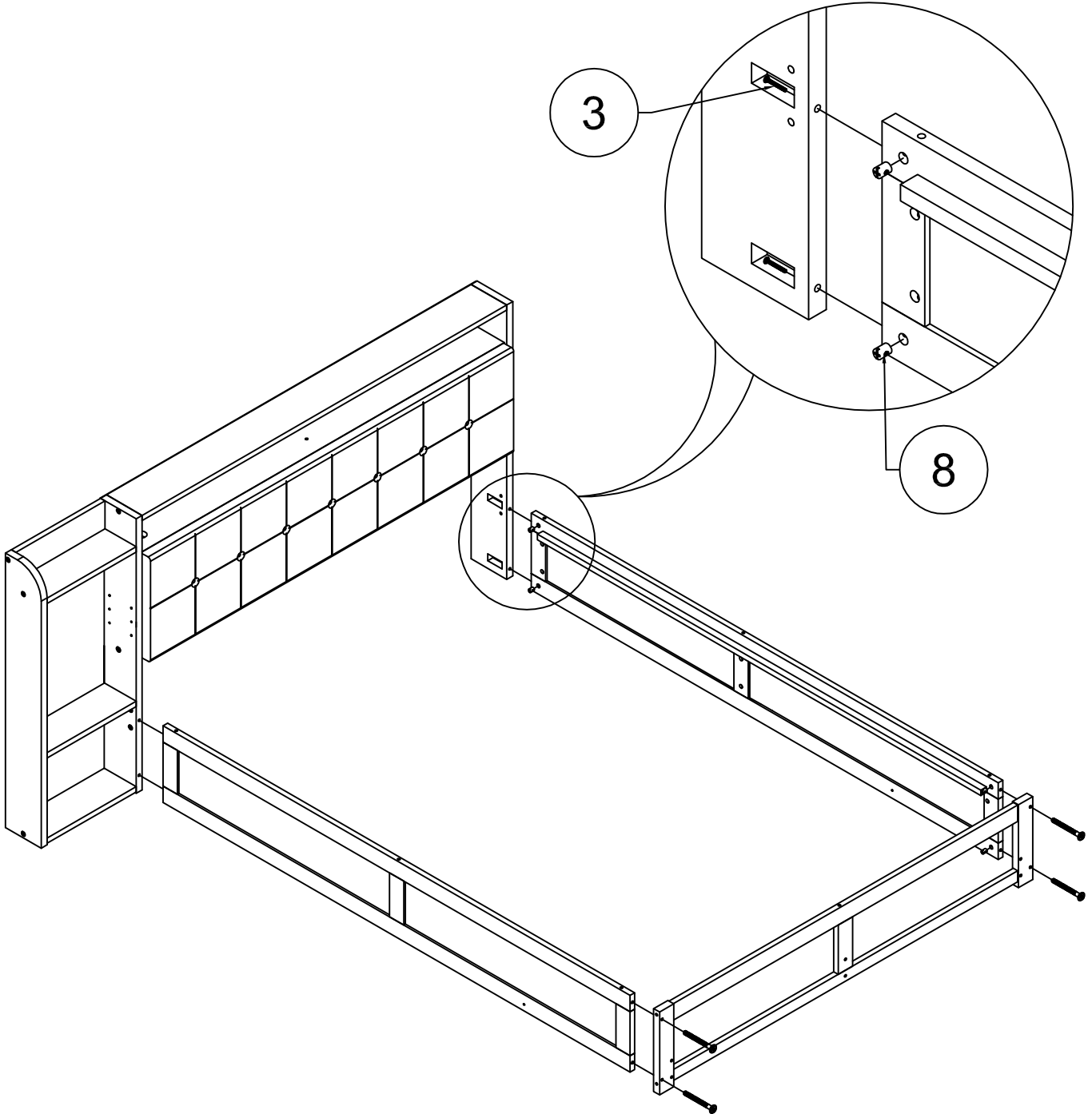
STEP 10: Following below illustration:

9		10	
12pcs		12pcs	

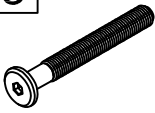



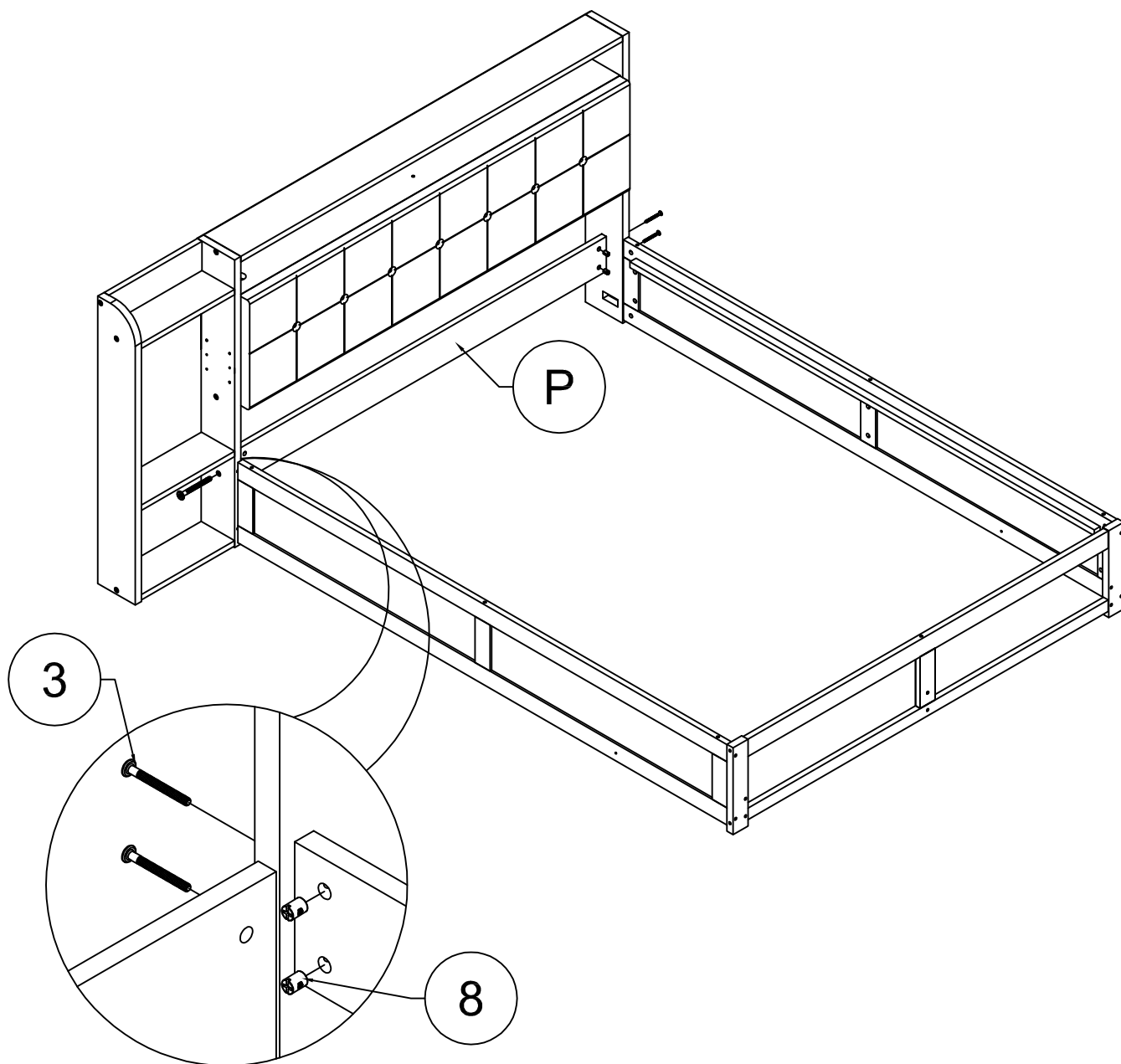
STEP 11: Following below illustration:

3 	8 
8pcs	8pcs

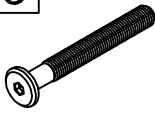
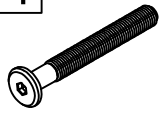



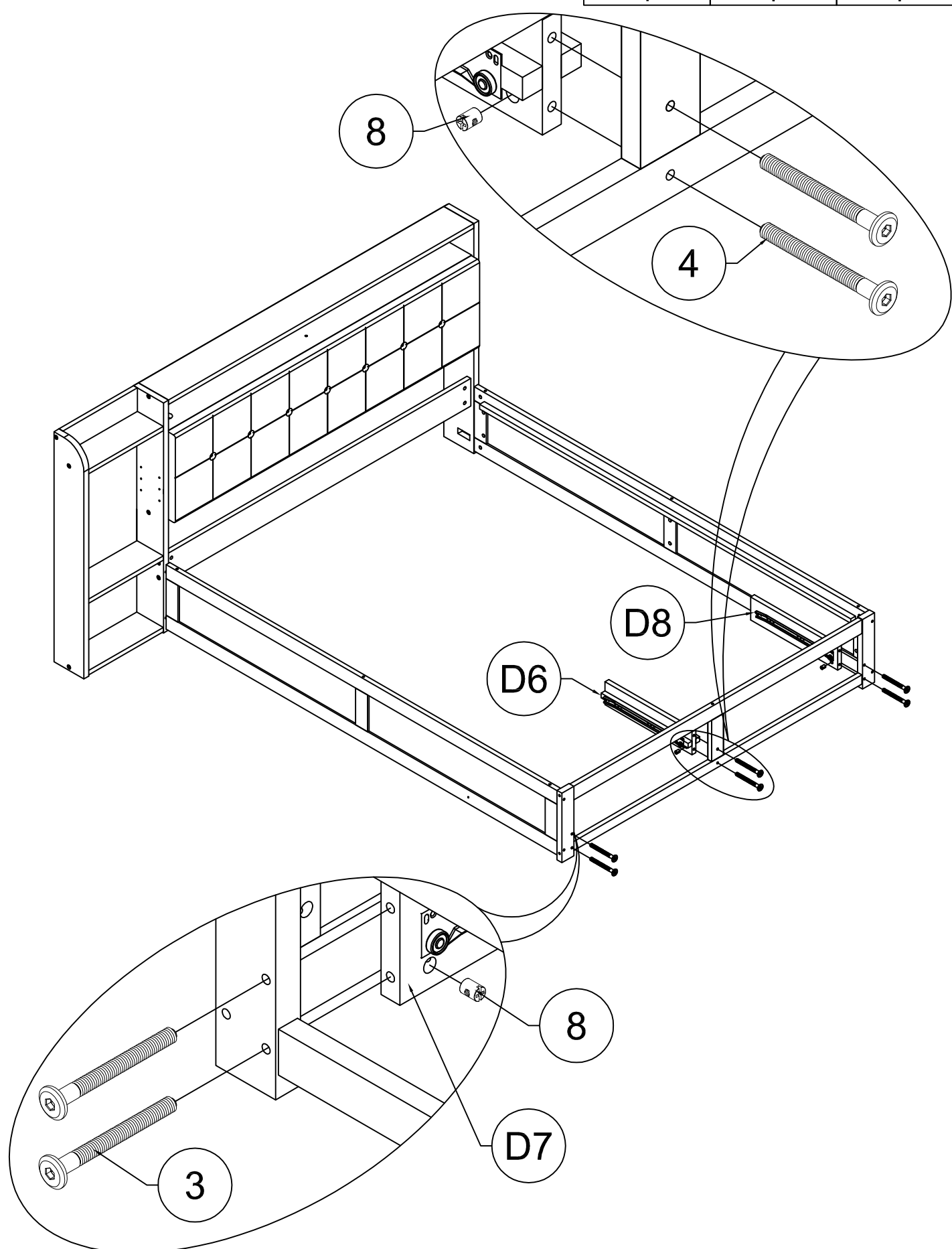
STEP 12: Following below illustration:

3	8
	
4pcs	4pcs

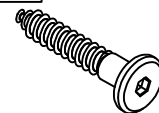
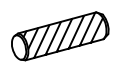
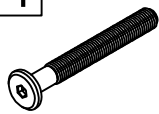



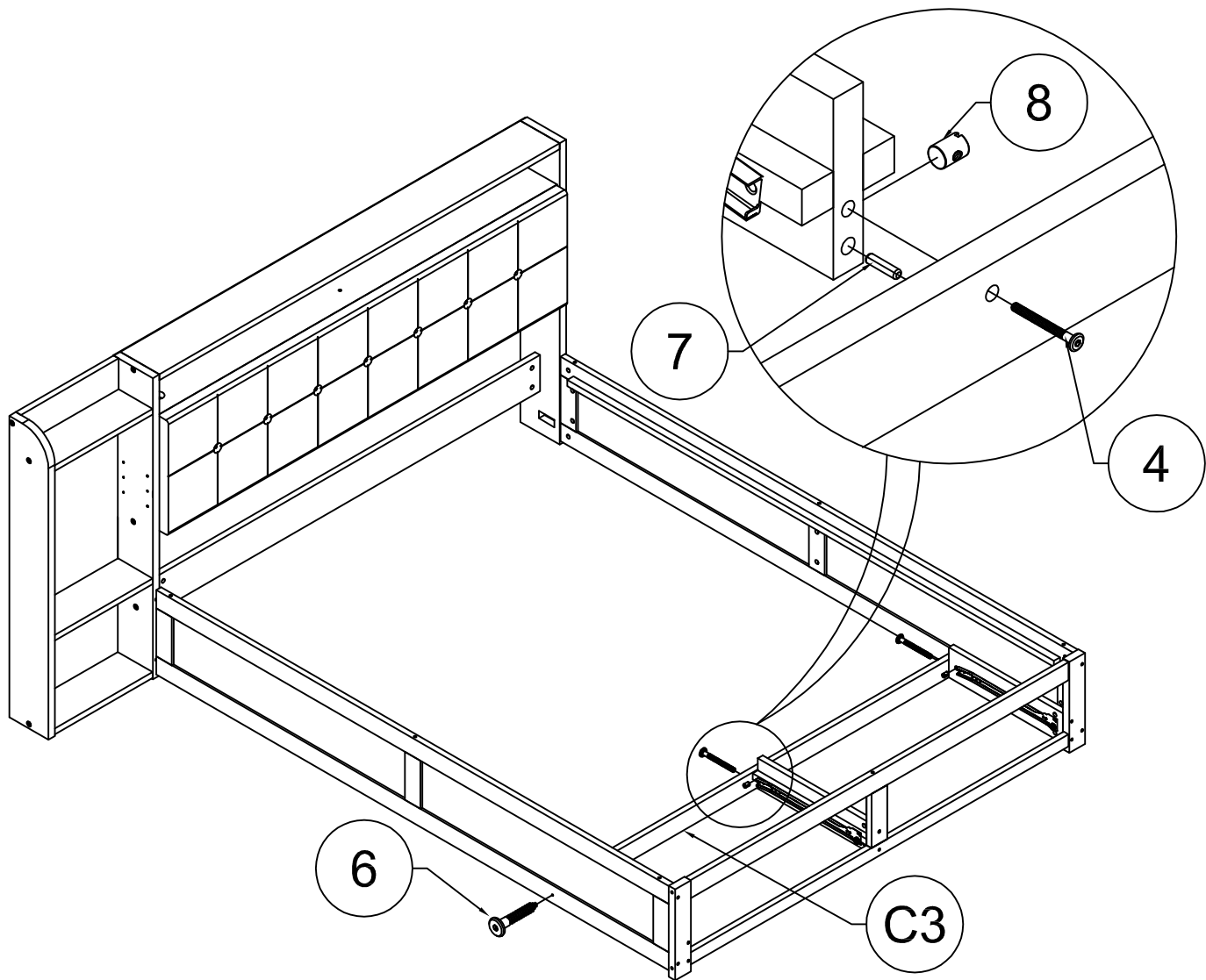
STEP 13: Following below illustration:

3	4	8
		
4pcs	2pcs	6pcs





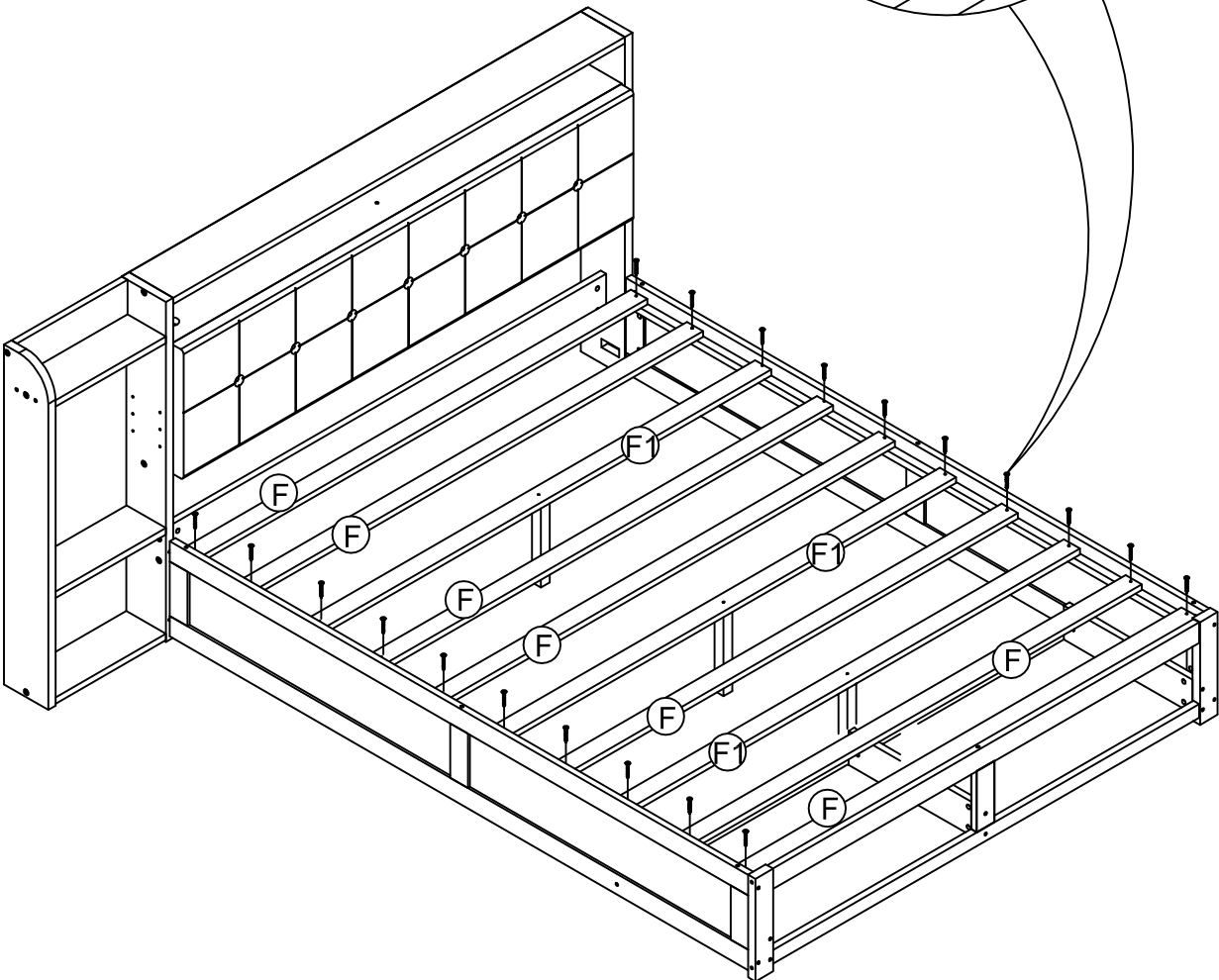
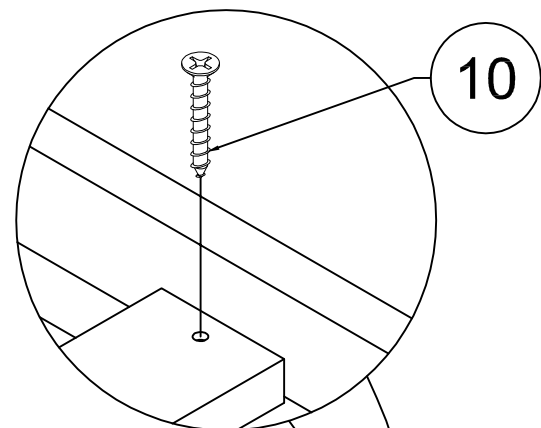
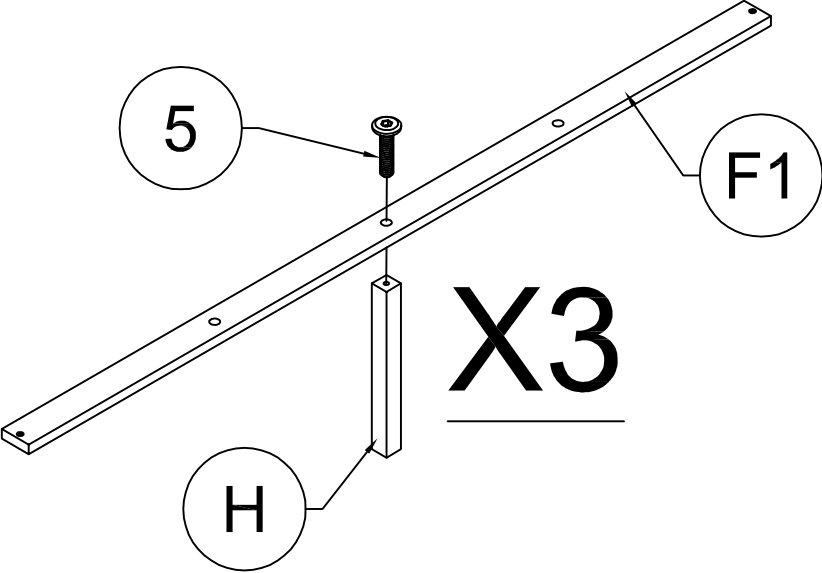
STEP 14: Following below illustration:

6	7
	
2pcs	3pcs
4	8
	
3pcs	3pcs





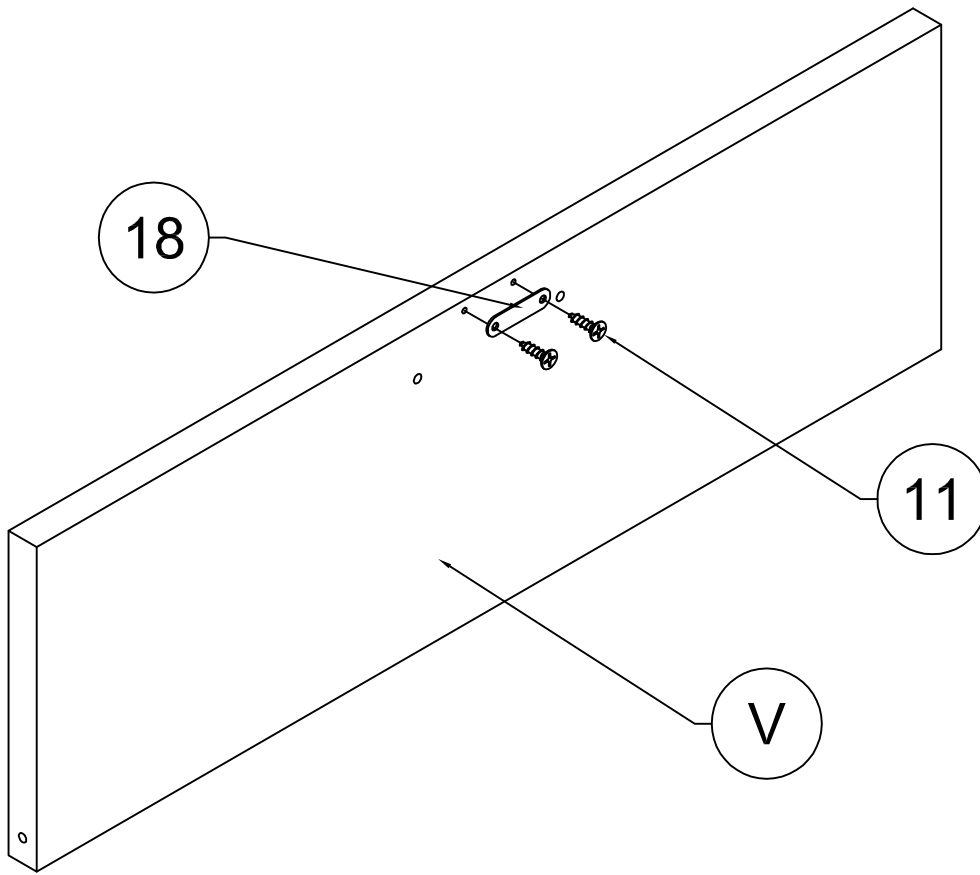
STEP 15: Following below illustration:

5	10
	
3pcs	20pcs




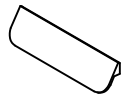
STEP 16: Following below illustration:

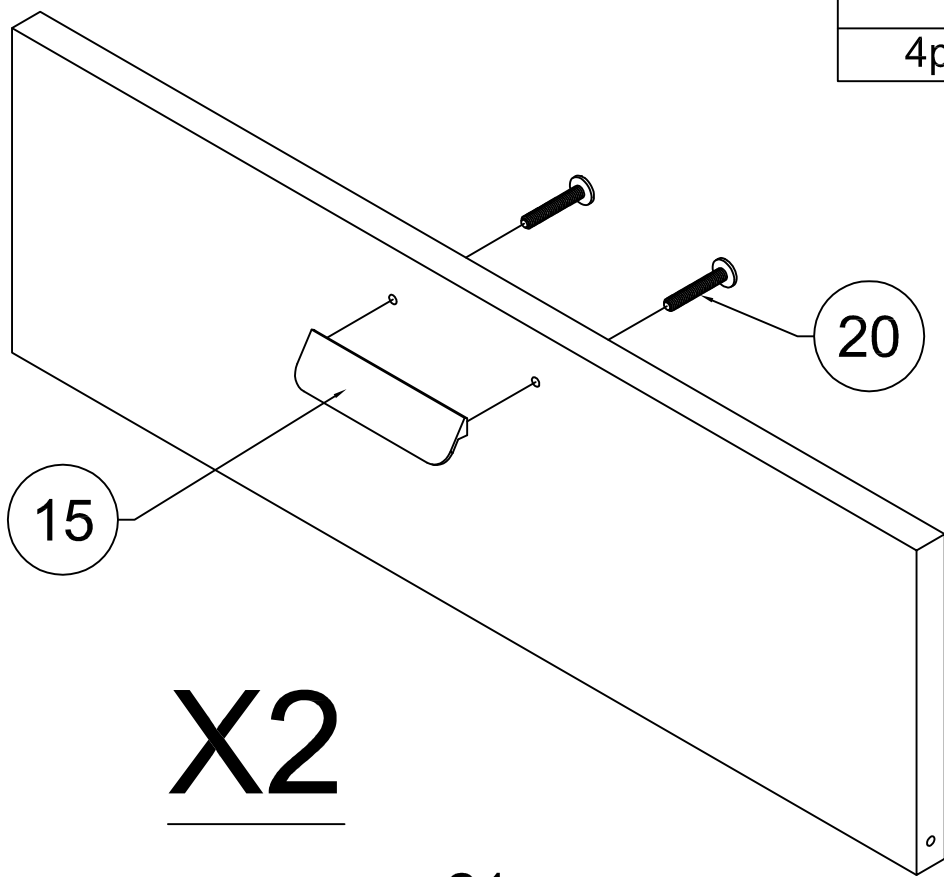
11	18
	
4pcs	2pcs



X2


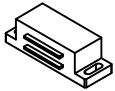
STEP 17: Following below illustration:

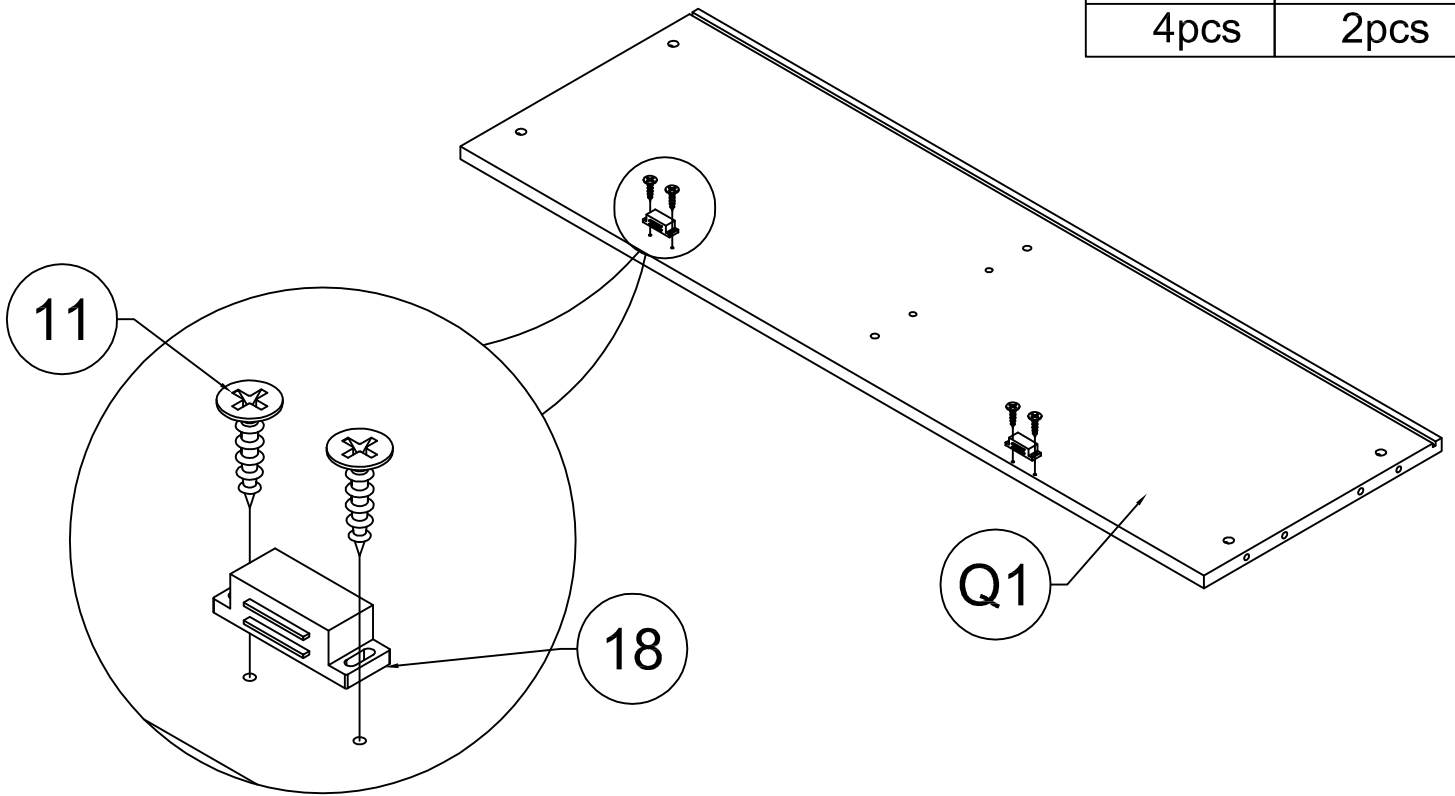
20	15
	
4pcs	2pcs



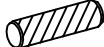
X2

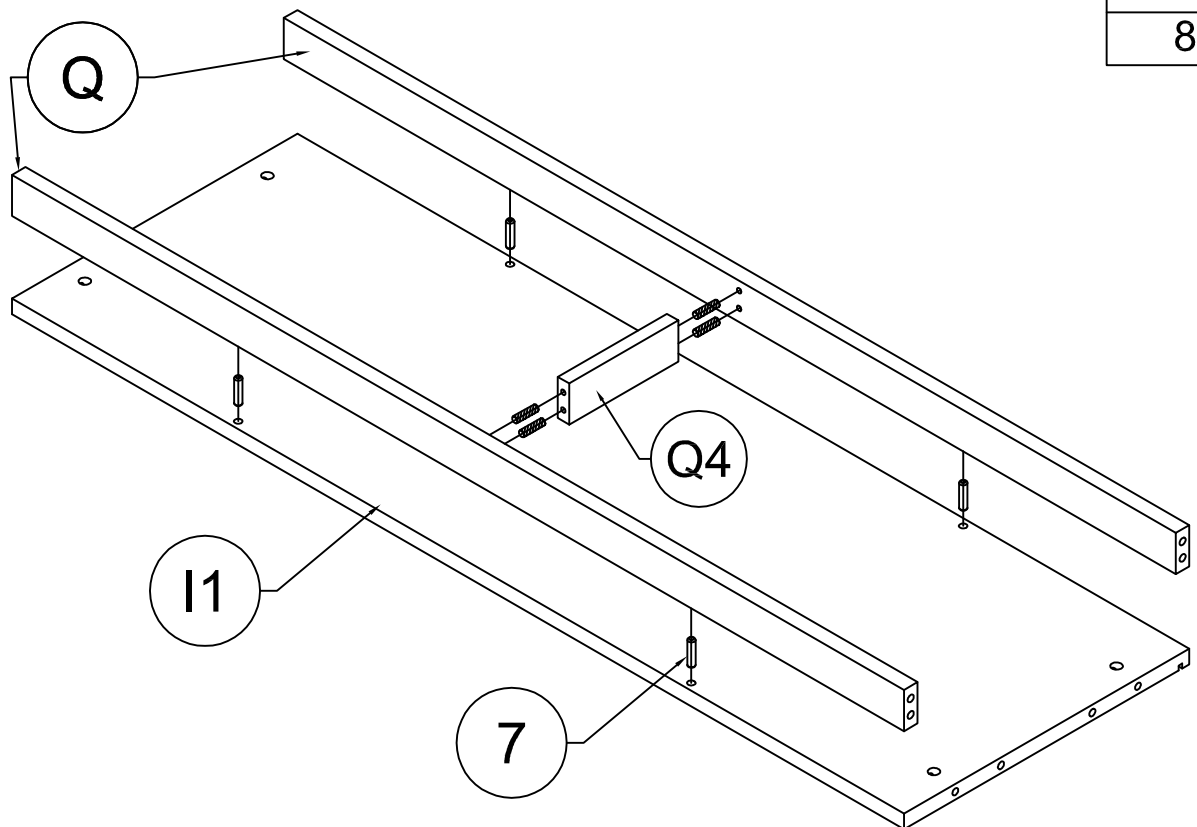
STEP 18: Following below illustration:

11		19	
4pcs		2pcs	

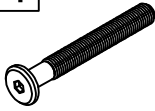
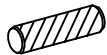



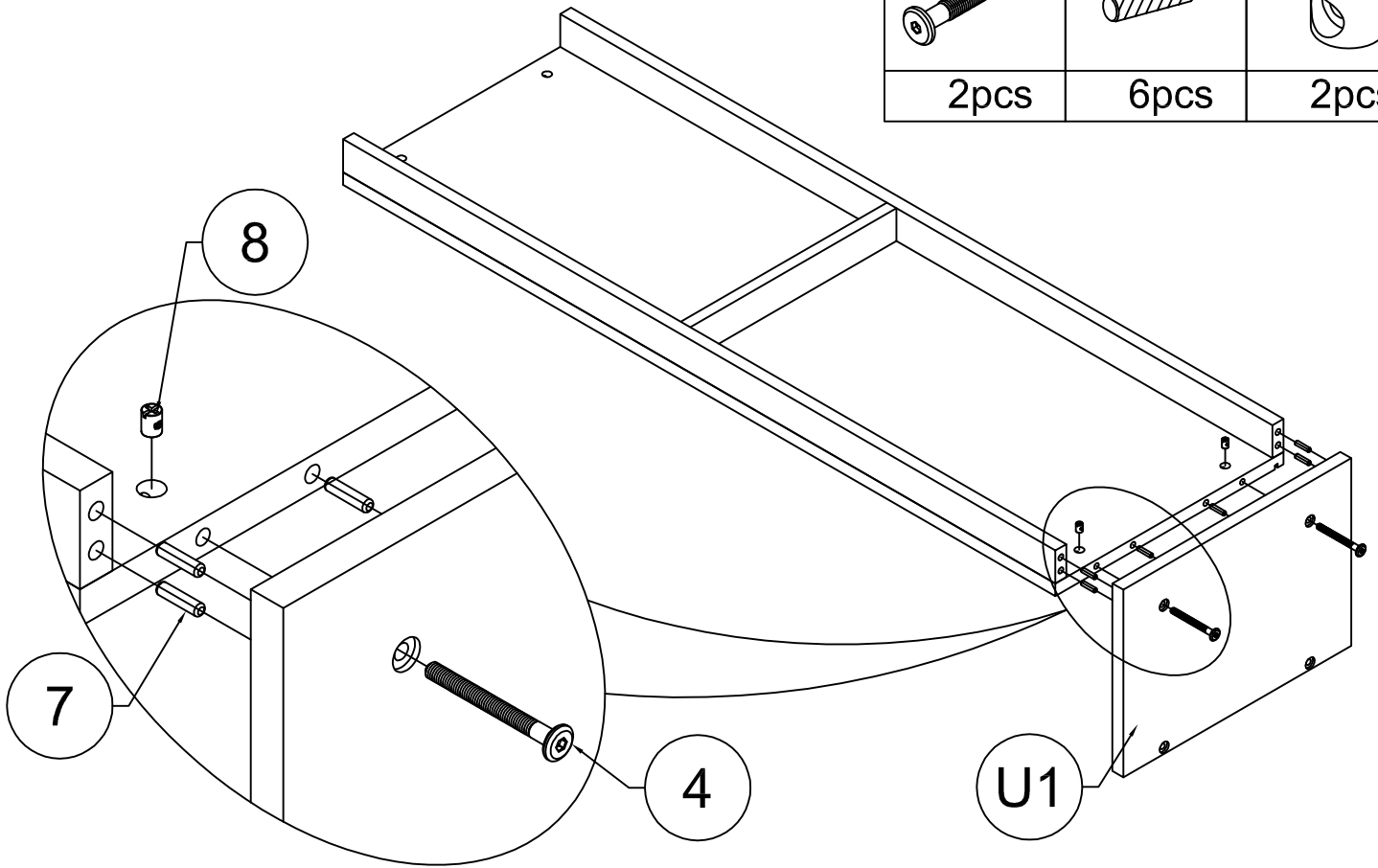
STEP 19: Following below illustration:

7	
8pcs	




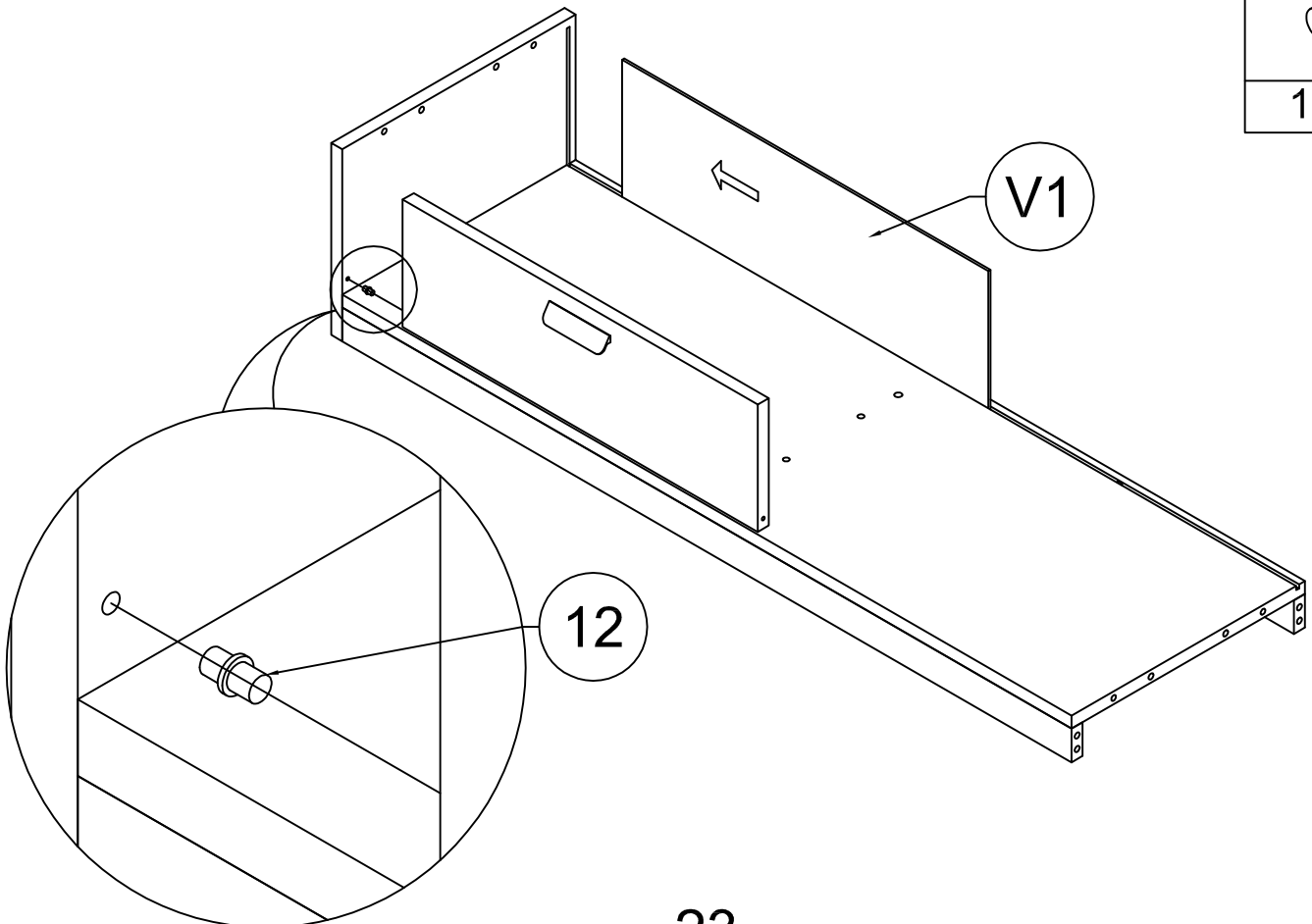
STEP 20: Following below illustration:

4	7	8
		
2pcs	6pcs	2pcs

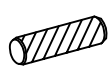
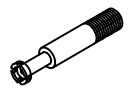



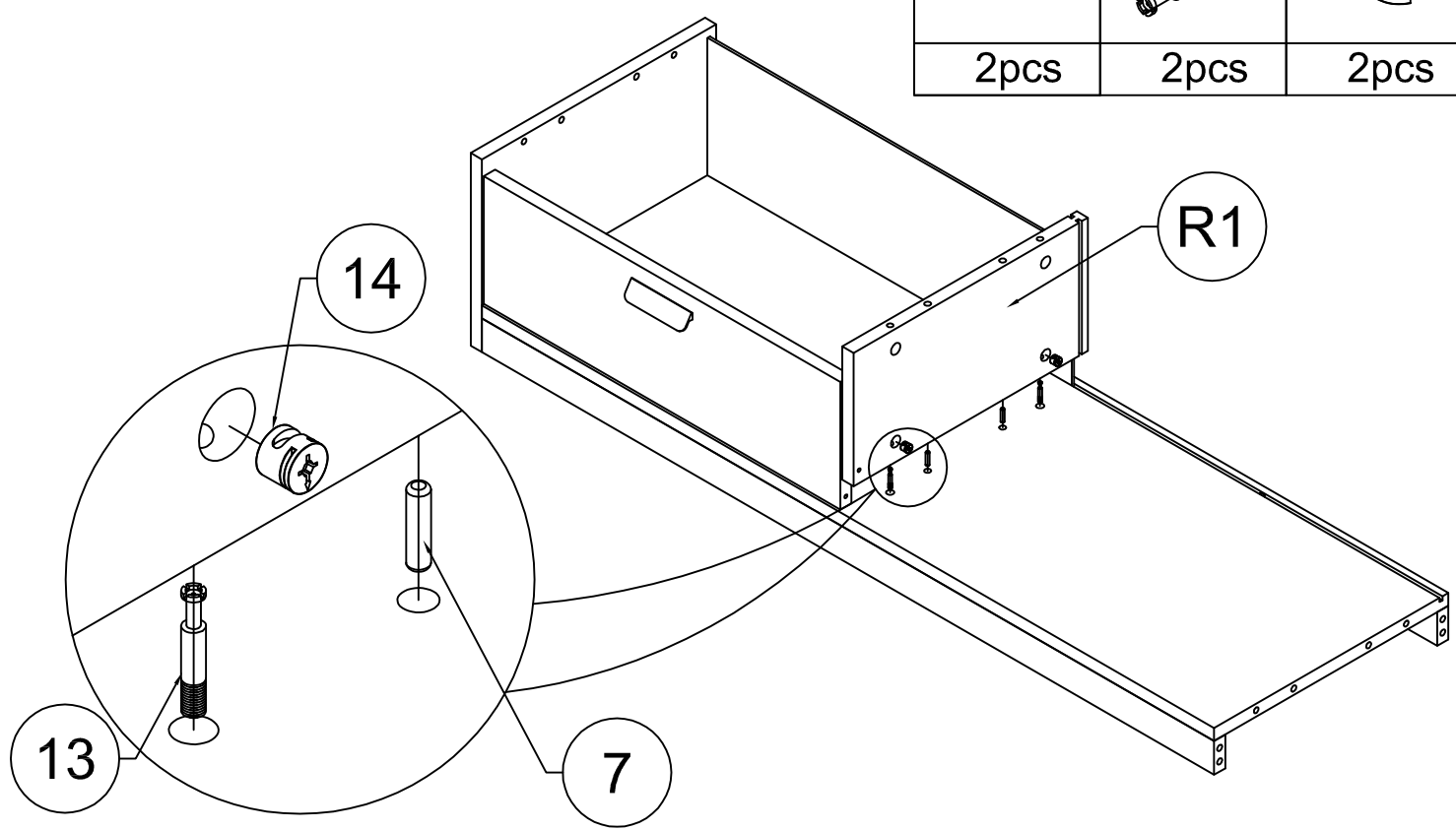
STEP 21: Following below illustration:

12

1pc




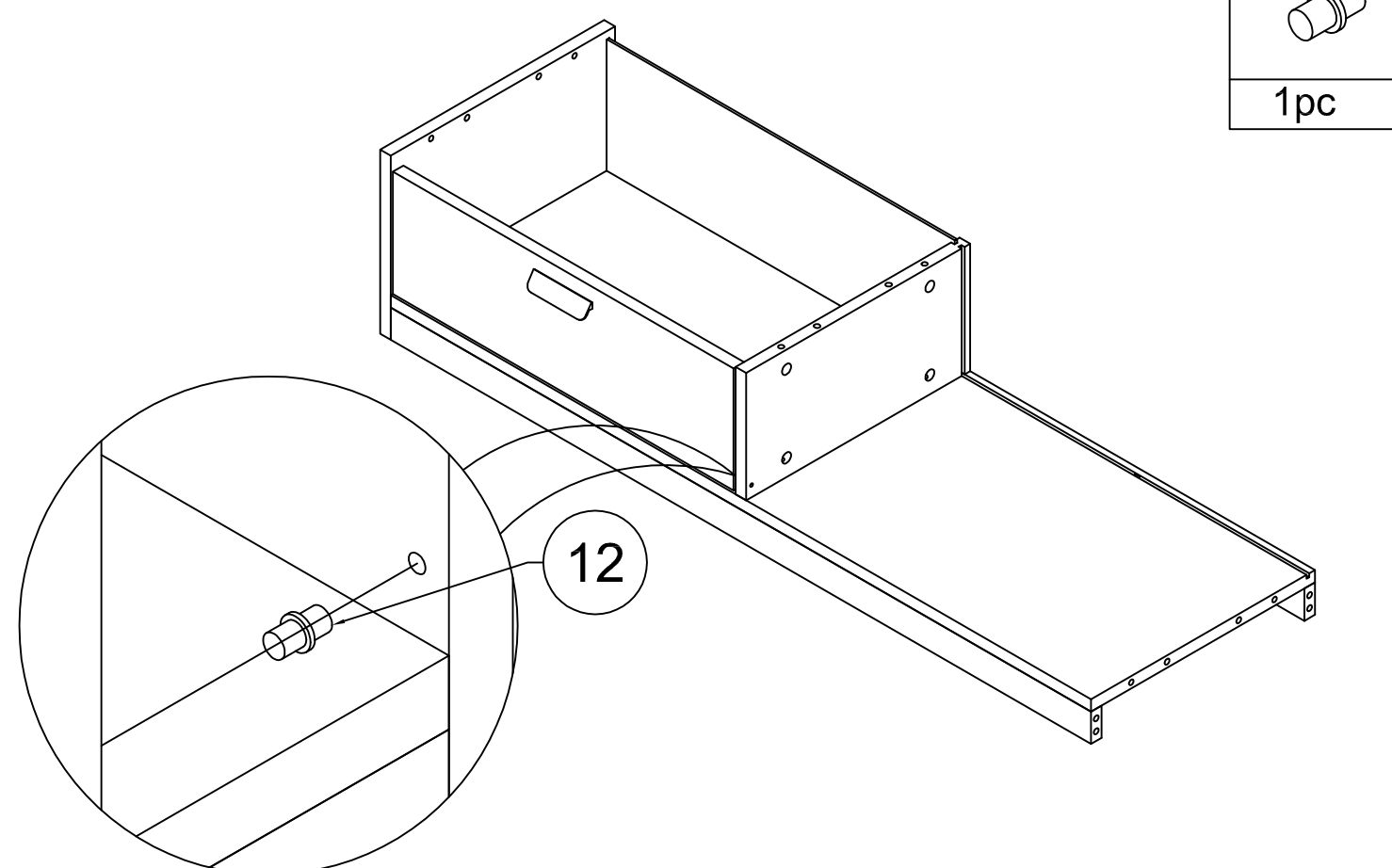
STEP 22-1: Following below illustration:

7	13	14
		
2pcs	2pcs	2pcs



STEP 22-2: Following below illustration:

12

1pc

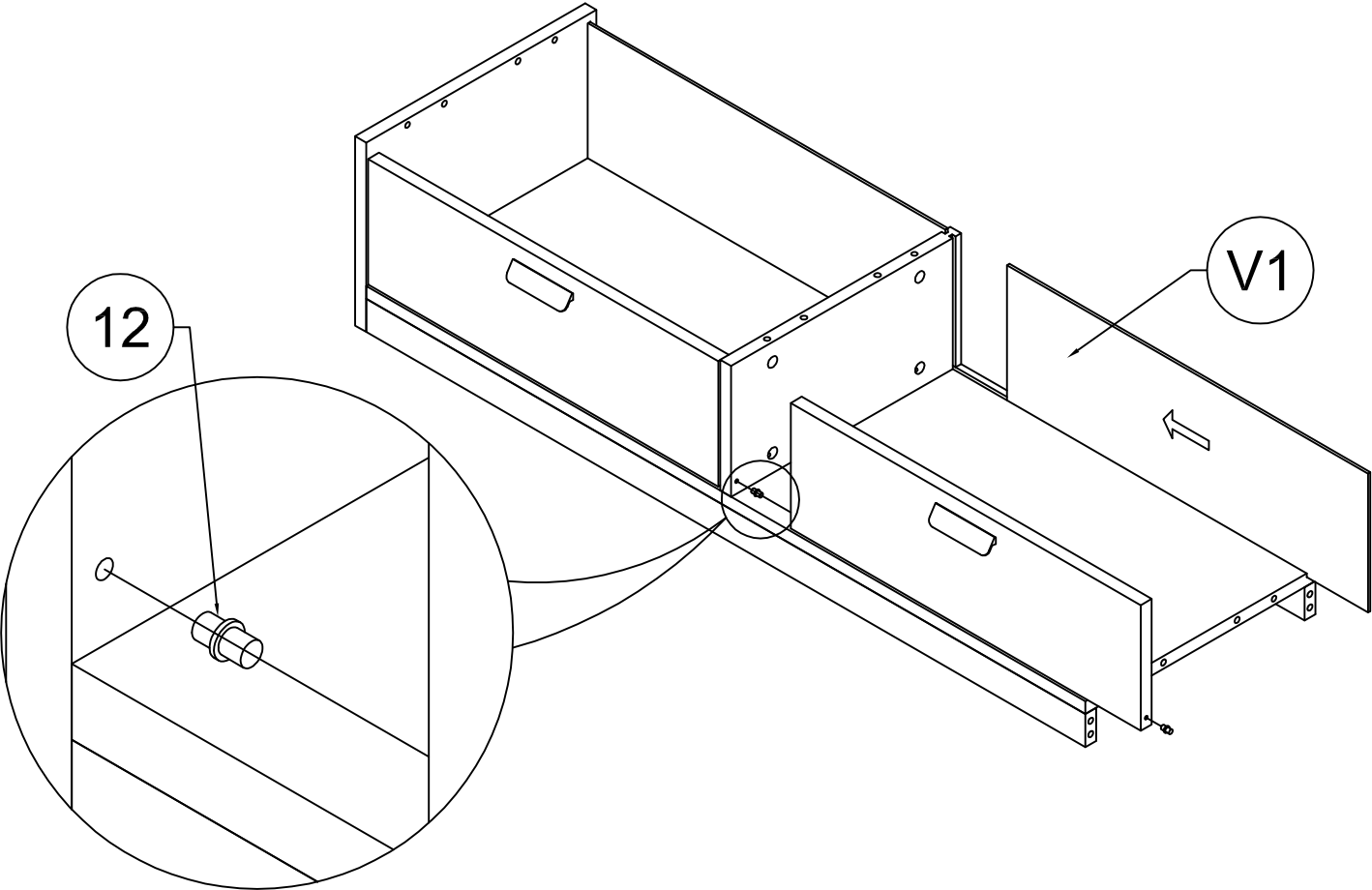


STEP 23: Following below illustration:

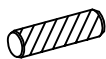
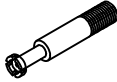

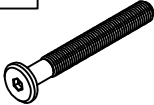

12

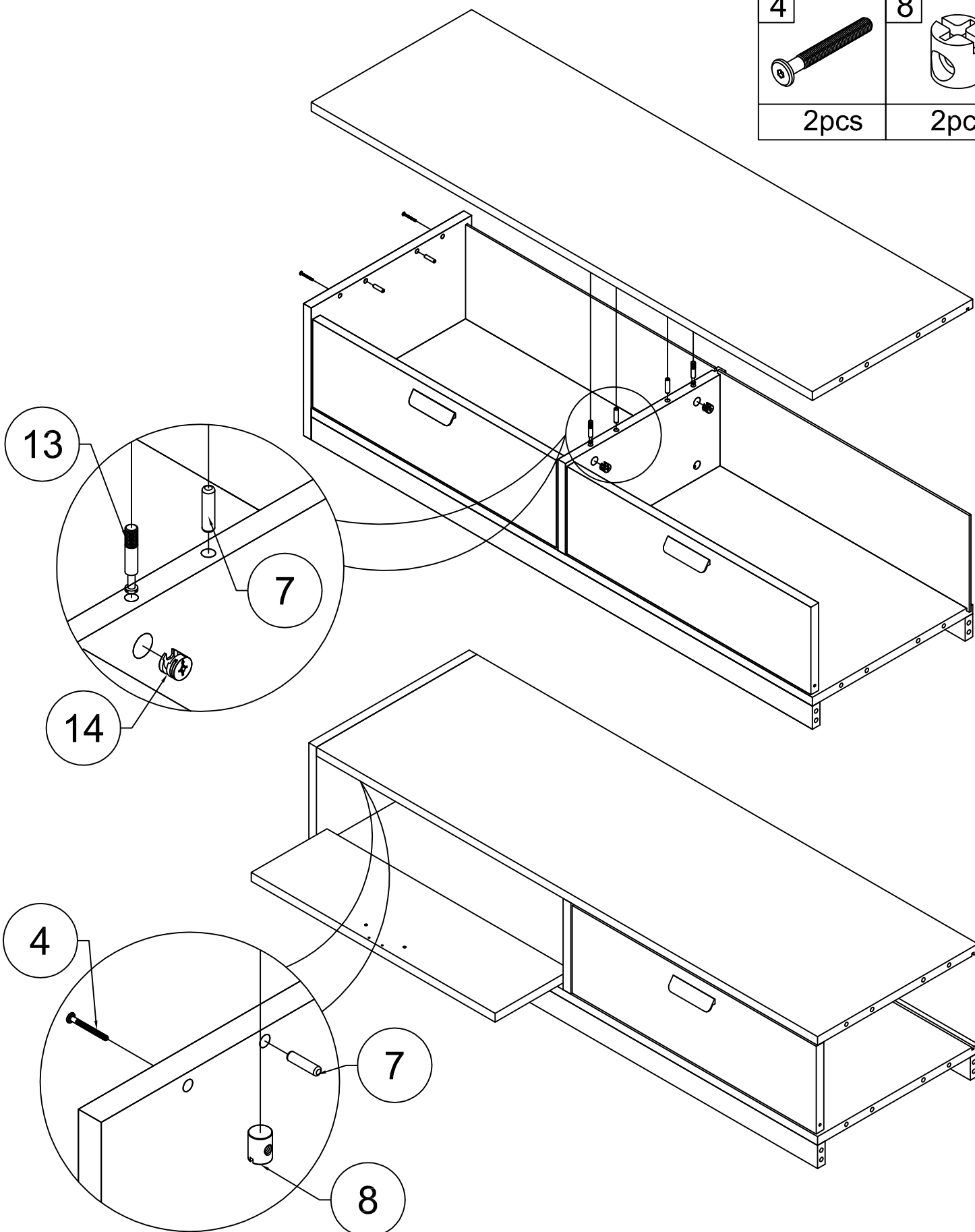


2pcs

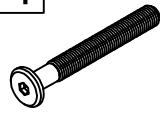
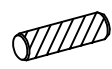
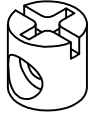


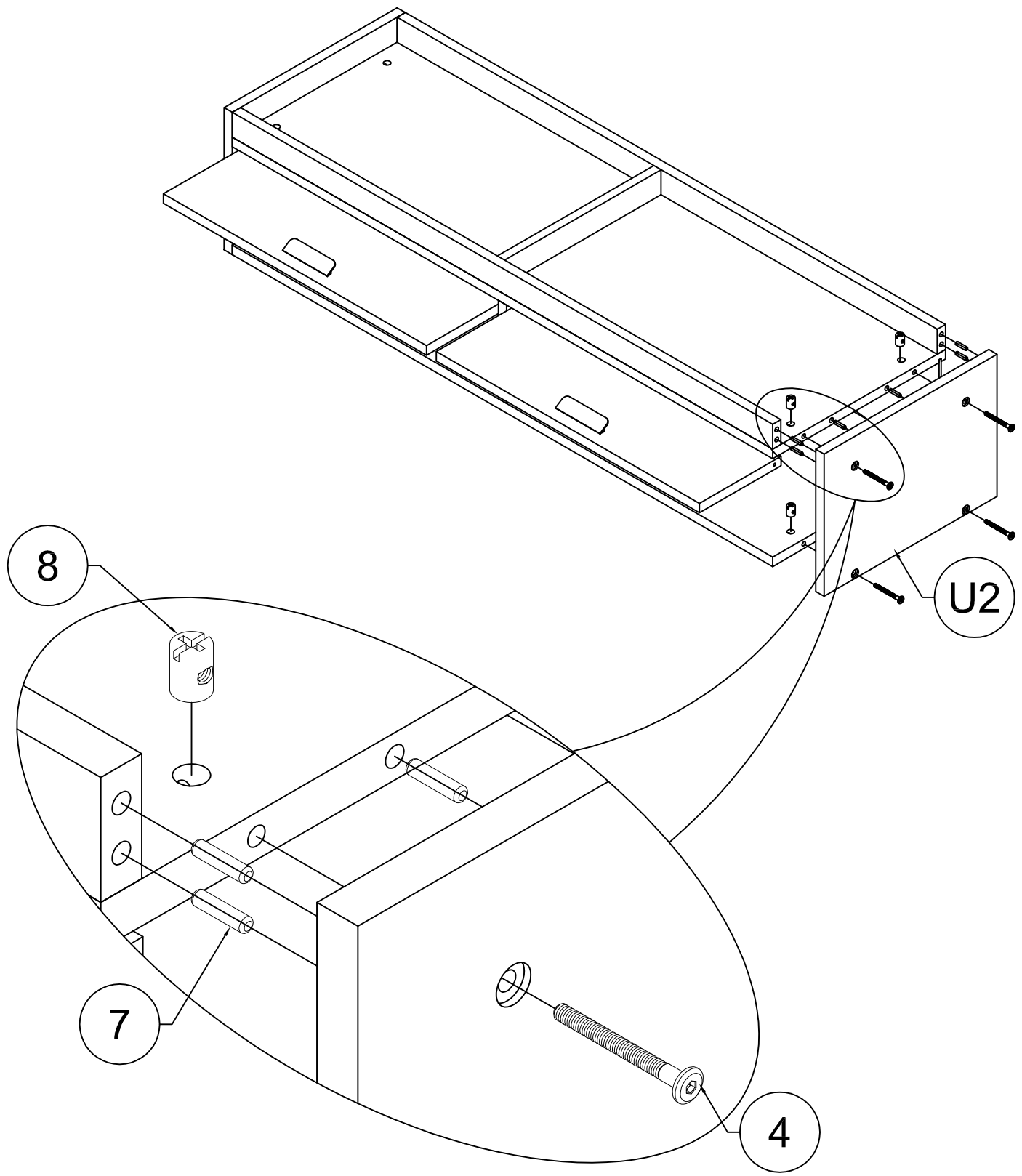
STEP 24: Following below illustration:

7	13	14
		
4pcs	2pcs	2pcs
	4	8
		
	2pcs	2pcs





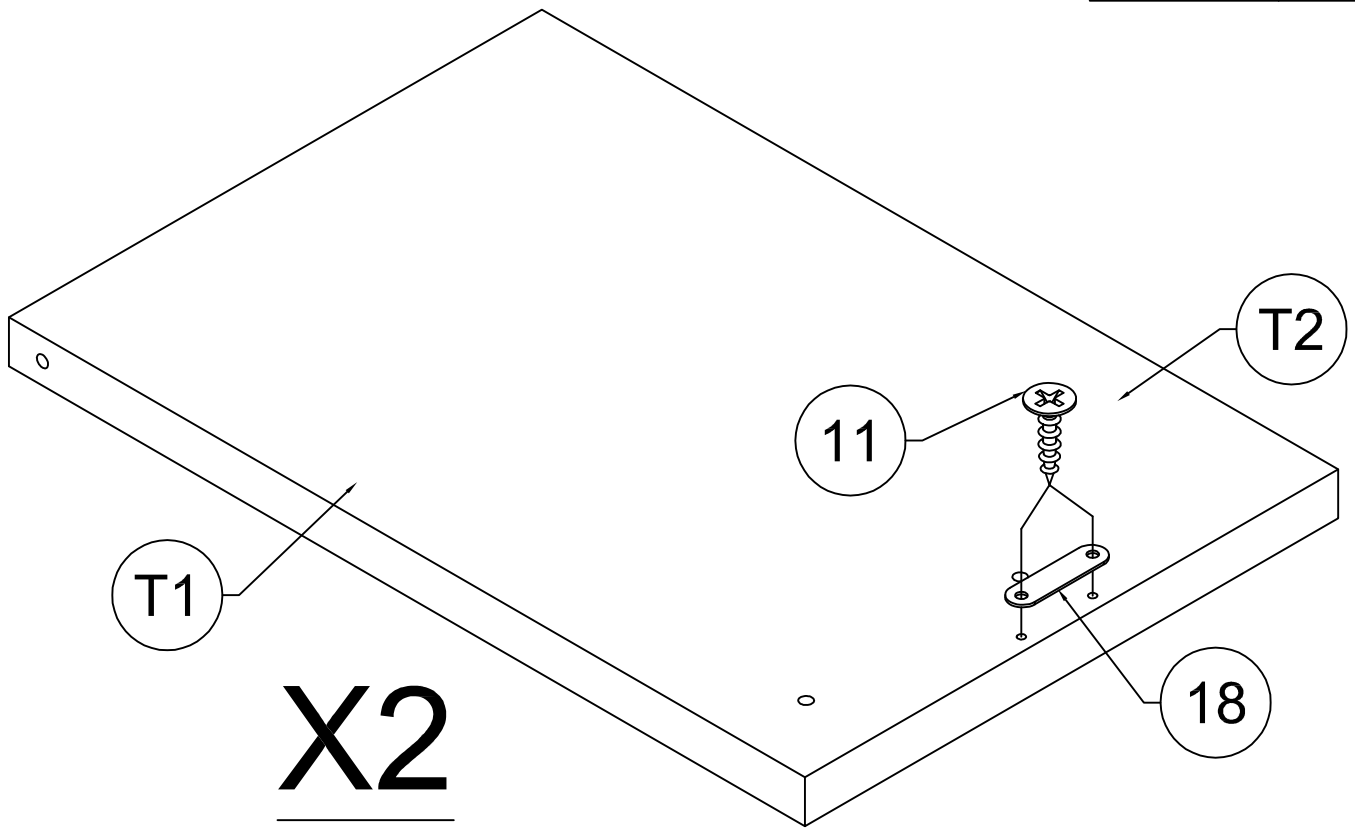
STEP 25: Following below illustration:

4	7	8
		
4pcs	8pcs	4pcs





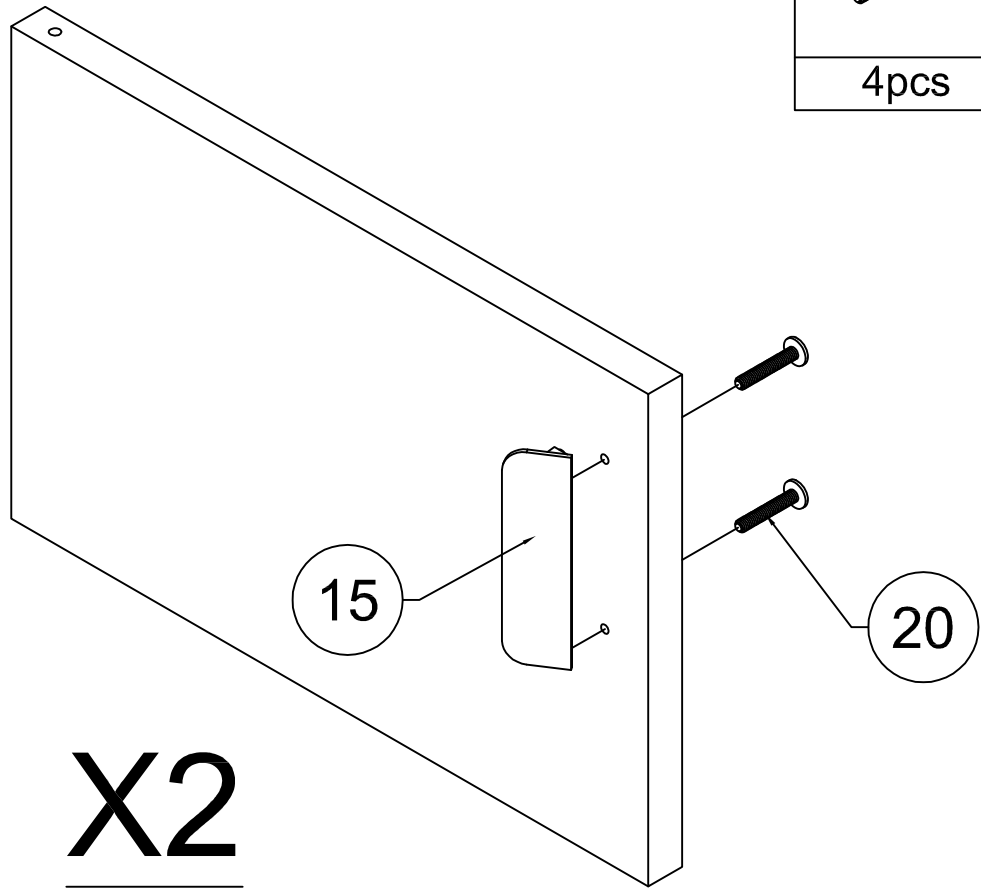
STEP 26-1: Following below illustration:

11		18	
4pcs		2pcs	


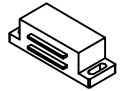


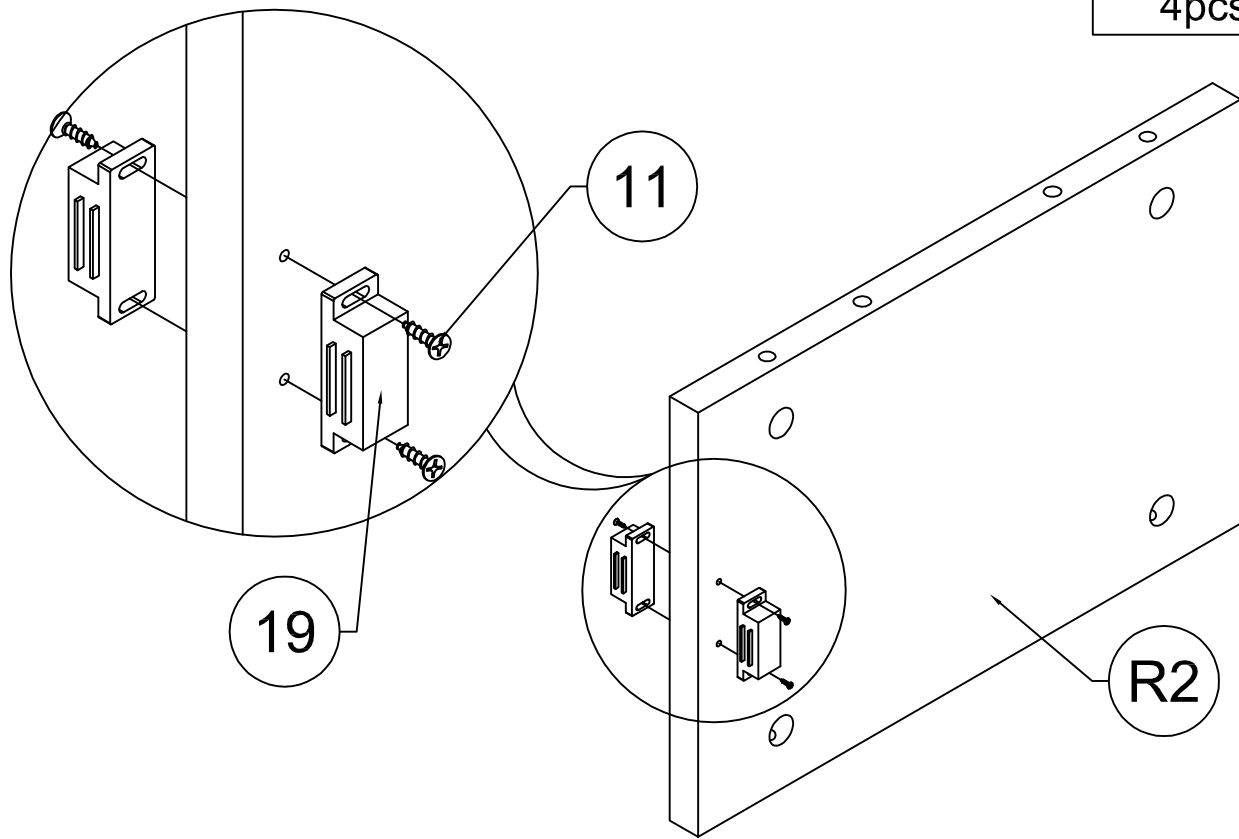
STEP 26-2: Following below illustration:

20		15	
4pcs		2pcs	

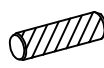




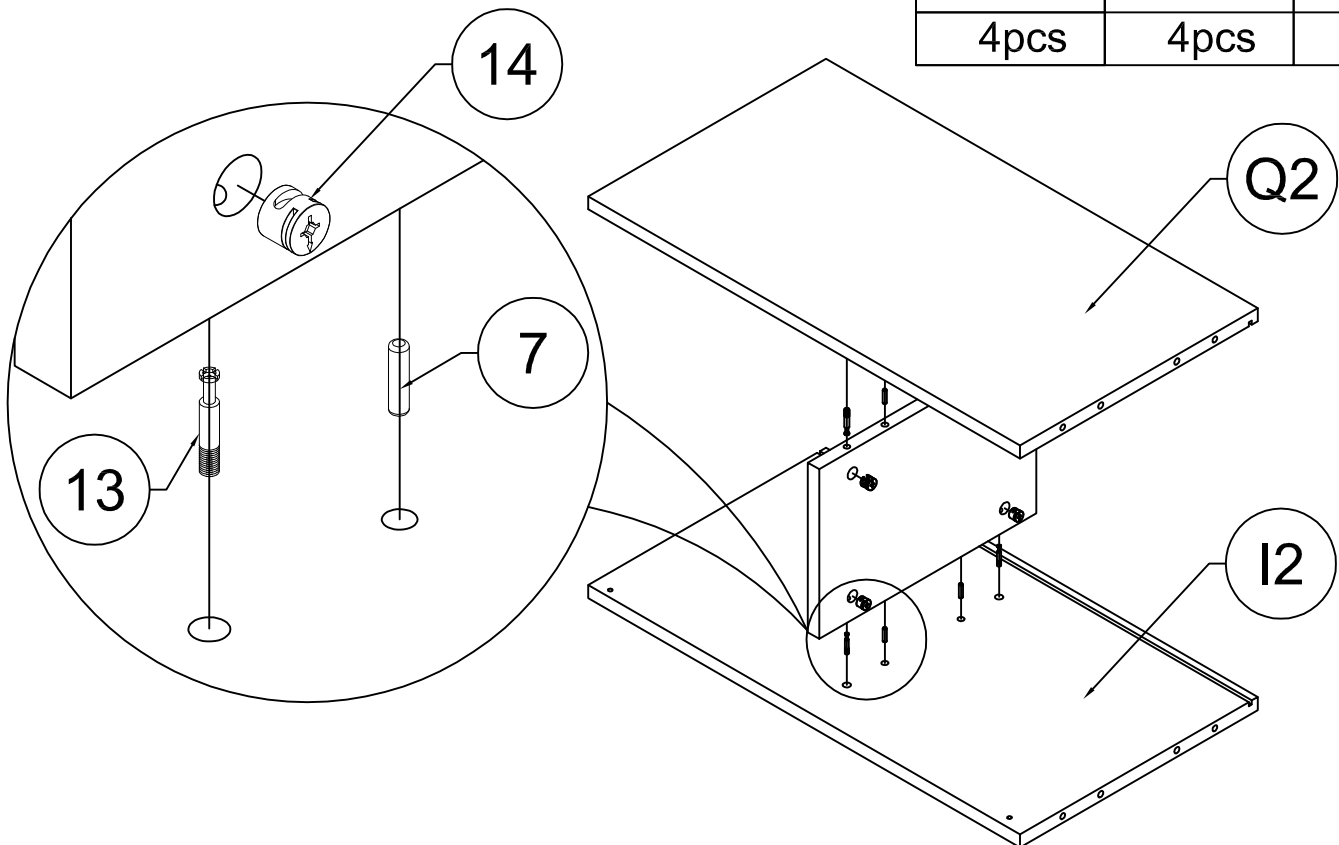
STEP 27: Following below illustration:

11		19	
	4pcs		2pcs

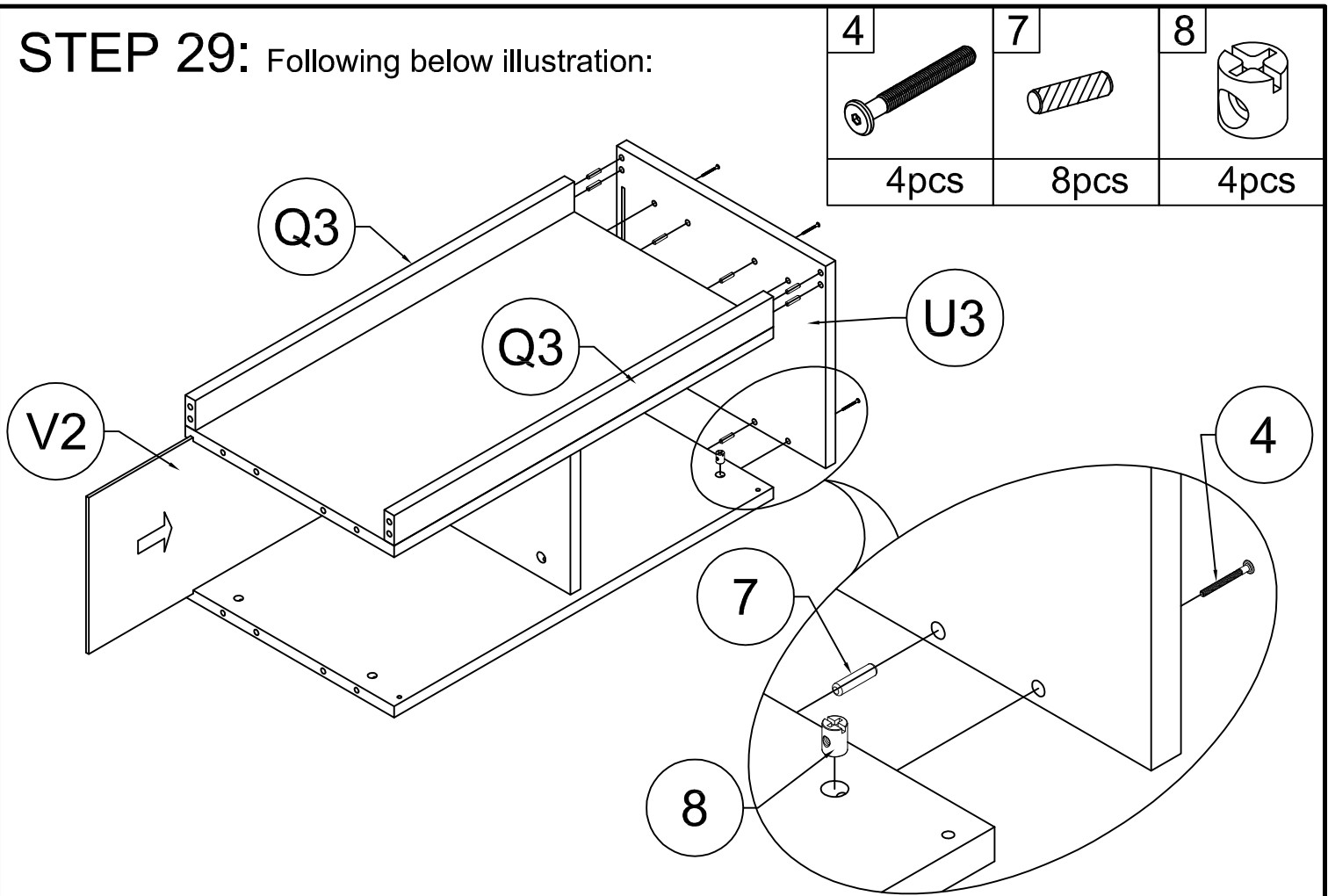


STEP 28: Following below illustration:

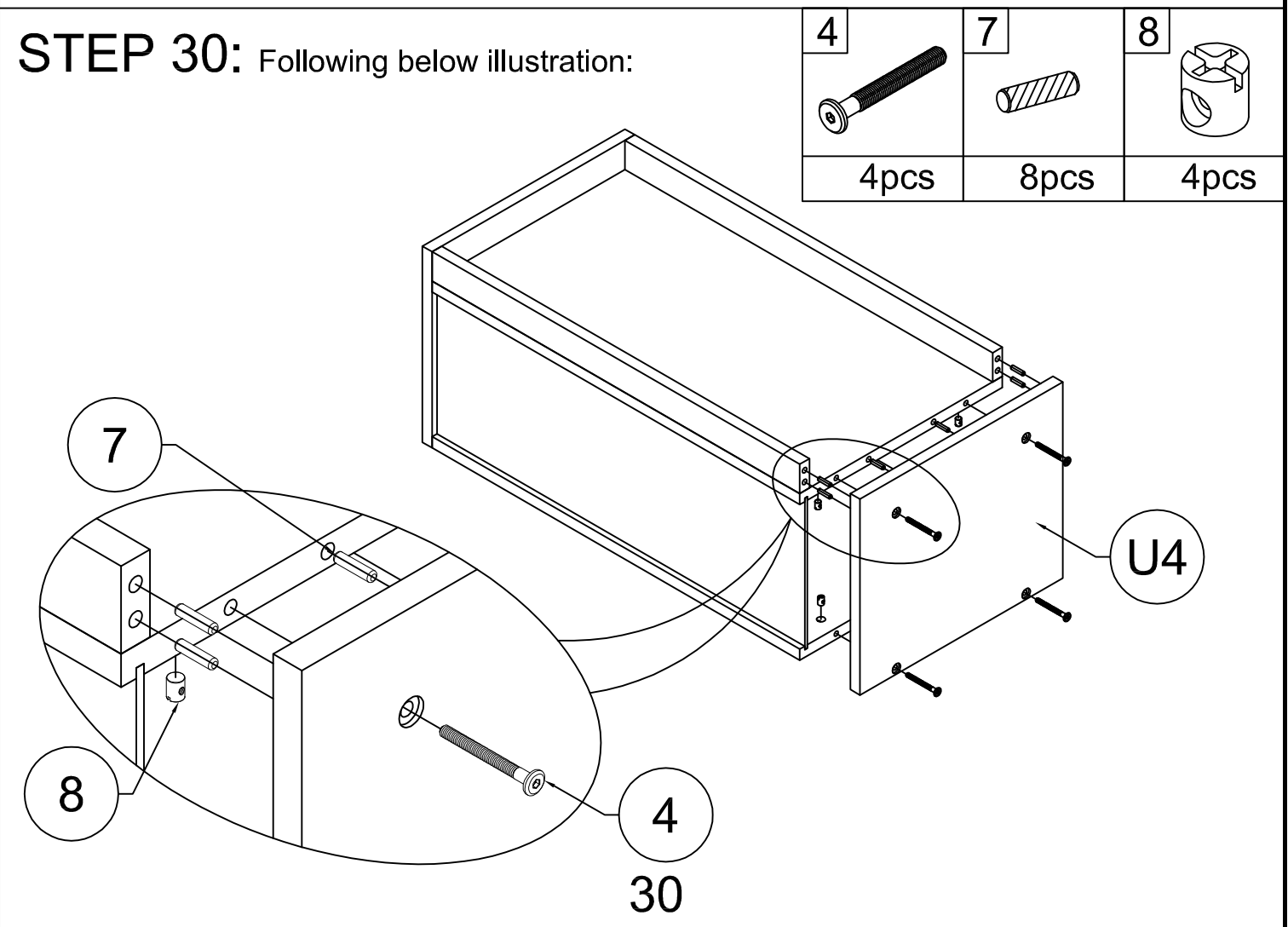
7		13		14	
	4pcs		4pcs		4pcs



STEP 29: Following below illustration:



STEP 30: Following below illustration:

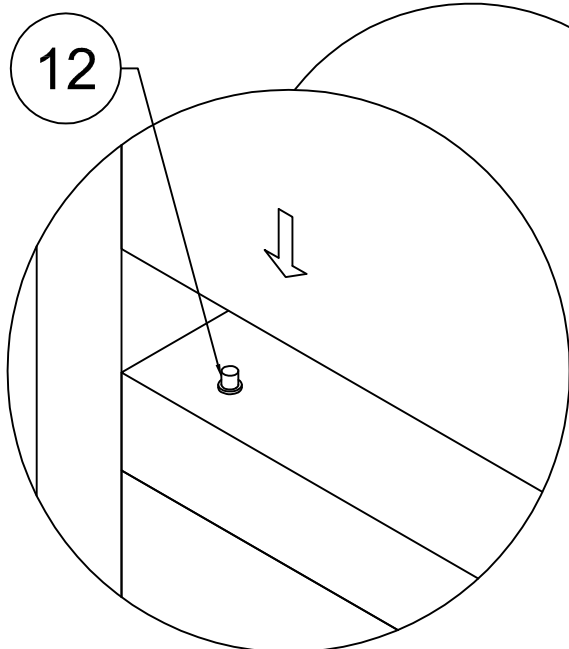
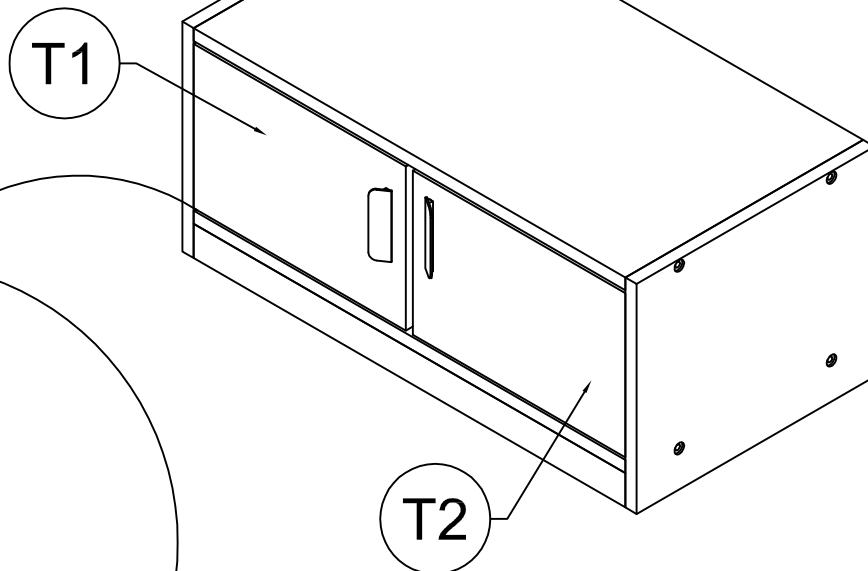
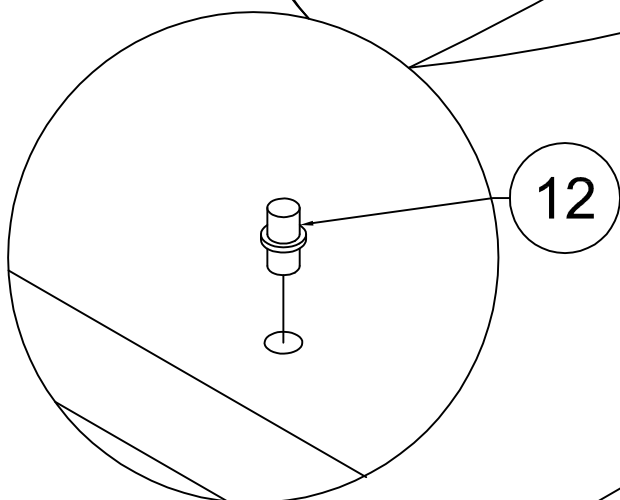
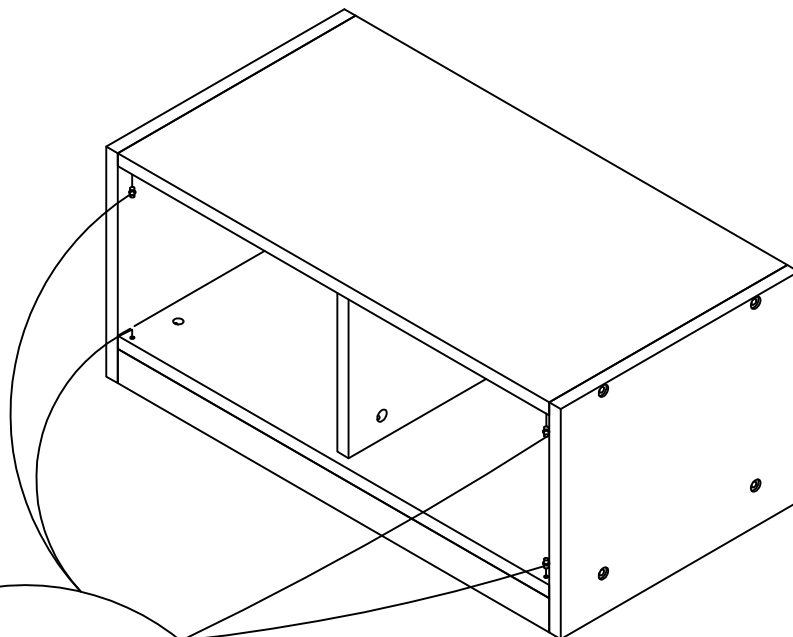


STEP 31: Following below illustration:

12



4pcs

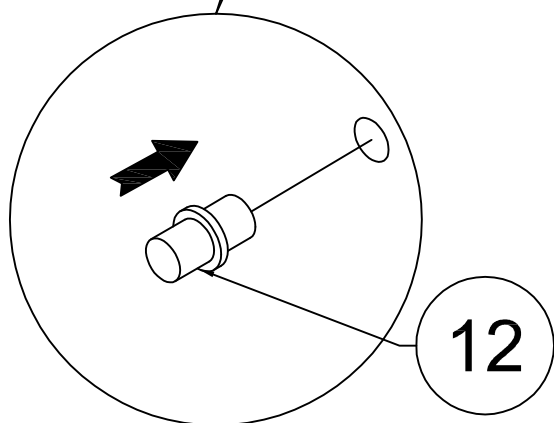
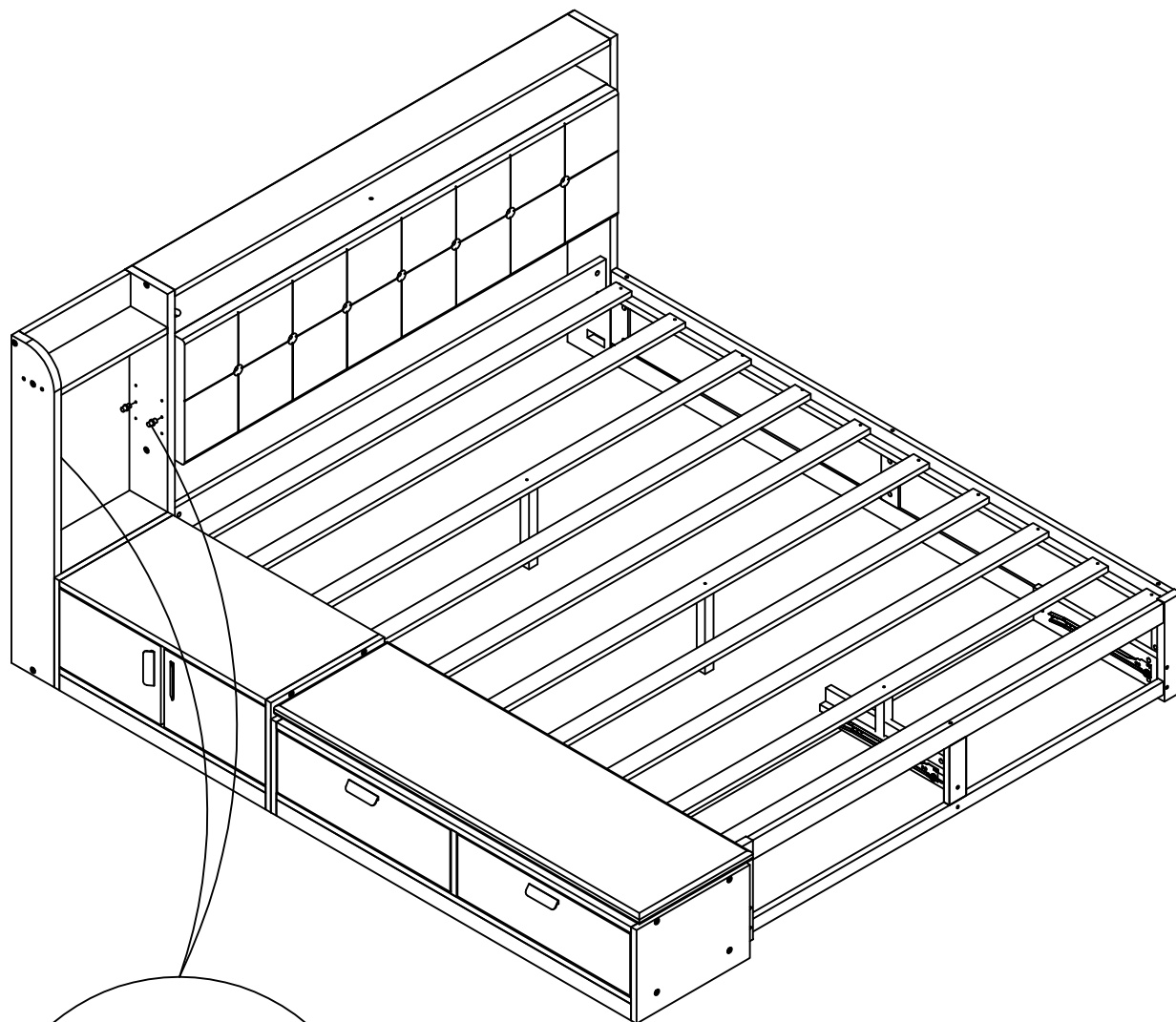


STEP 32: Following below illustration:

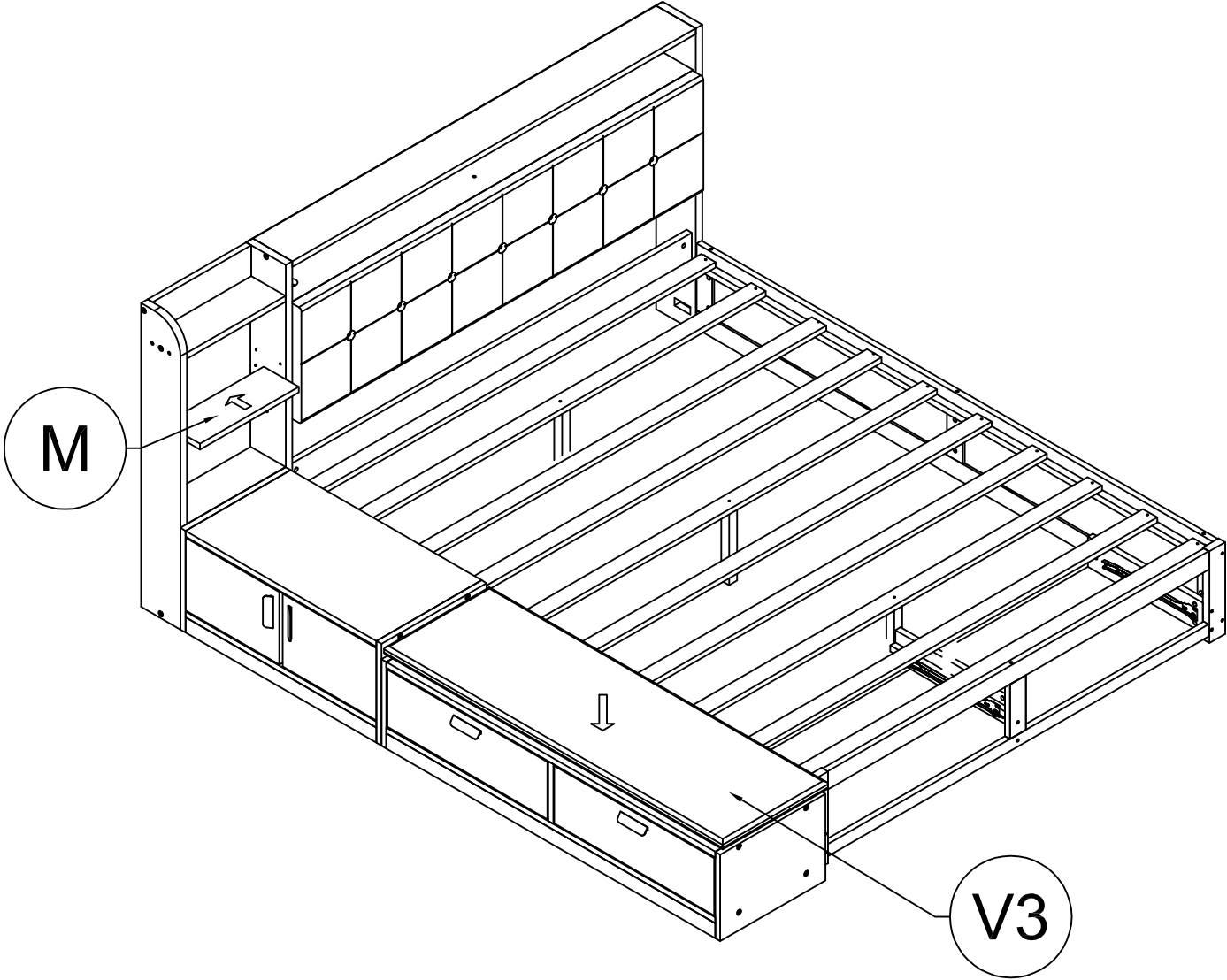
12



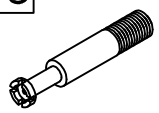
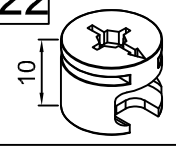
4pcs

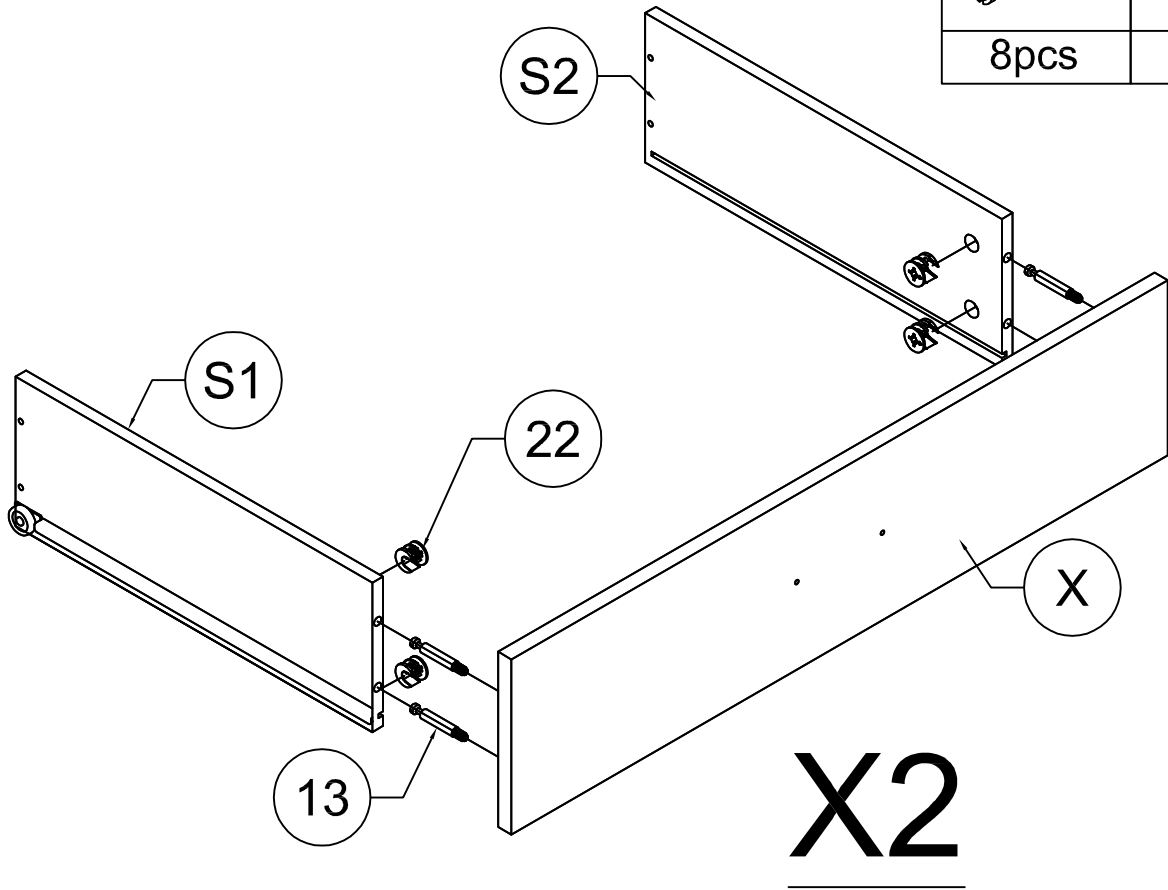


STEP 33: Following below illustration:

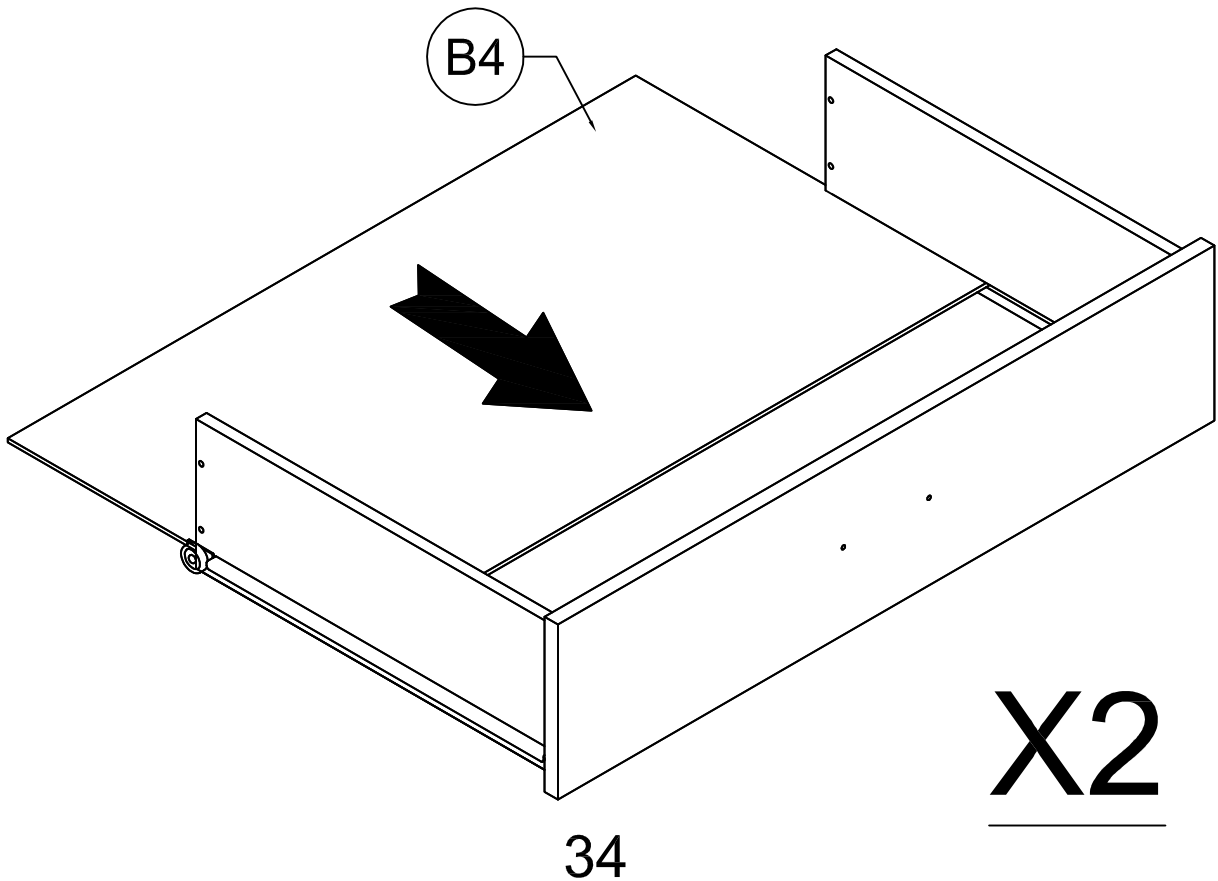


STEP 34-1: Following below illustration:

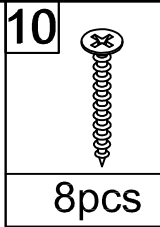
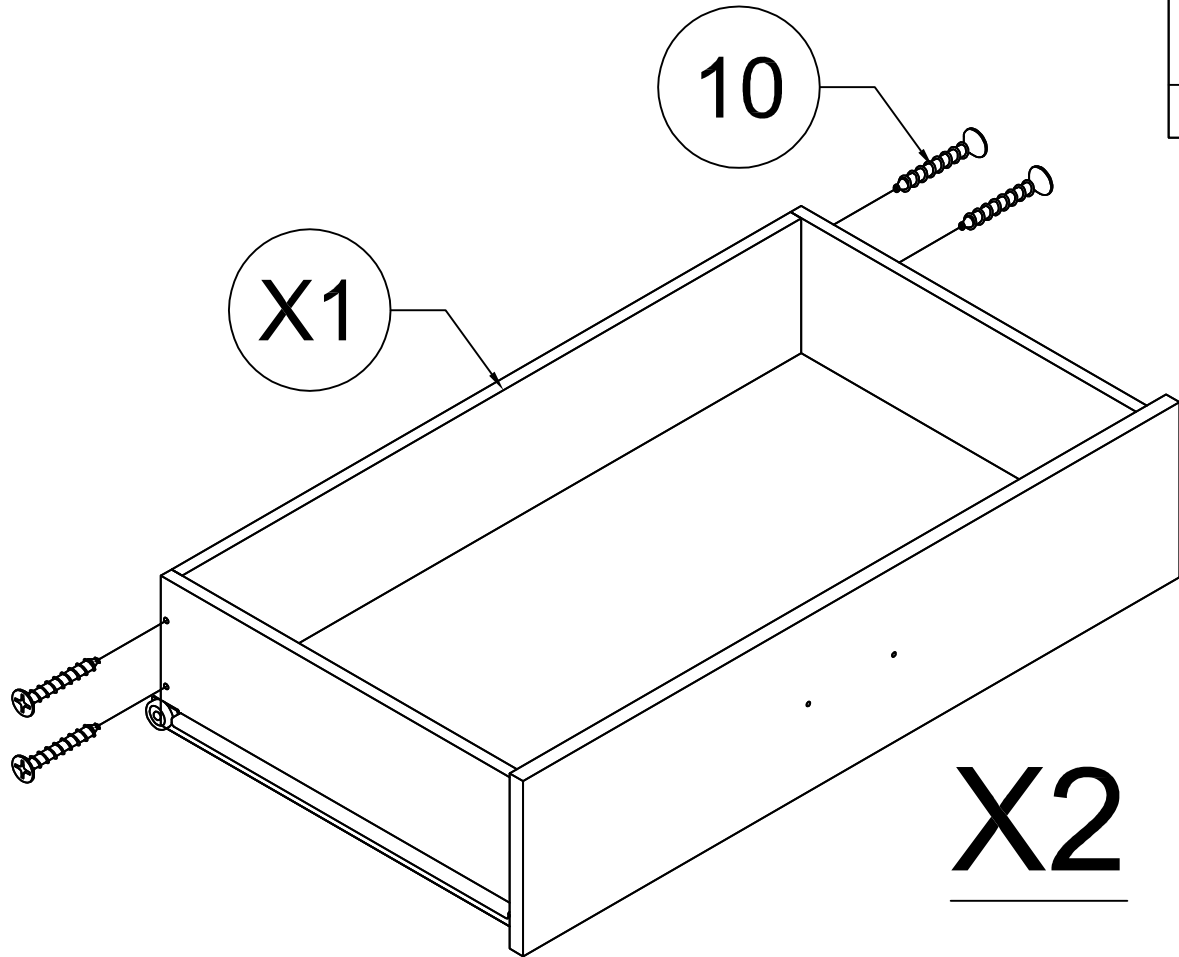
13	22
	
8pcs	8pcs



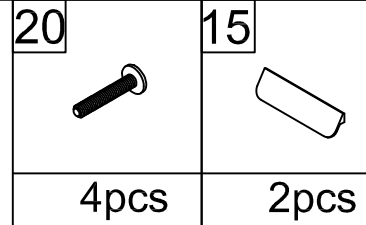
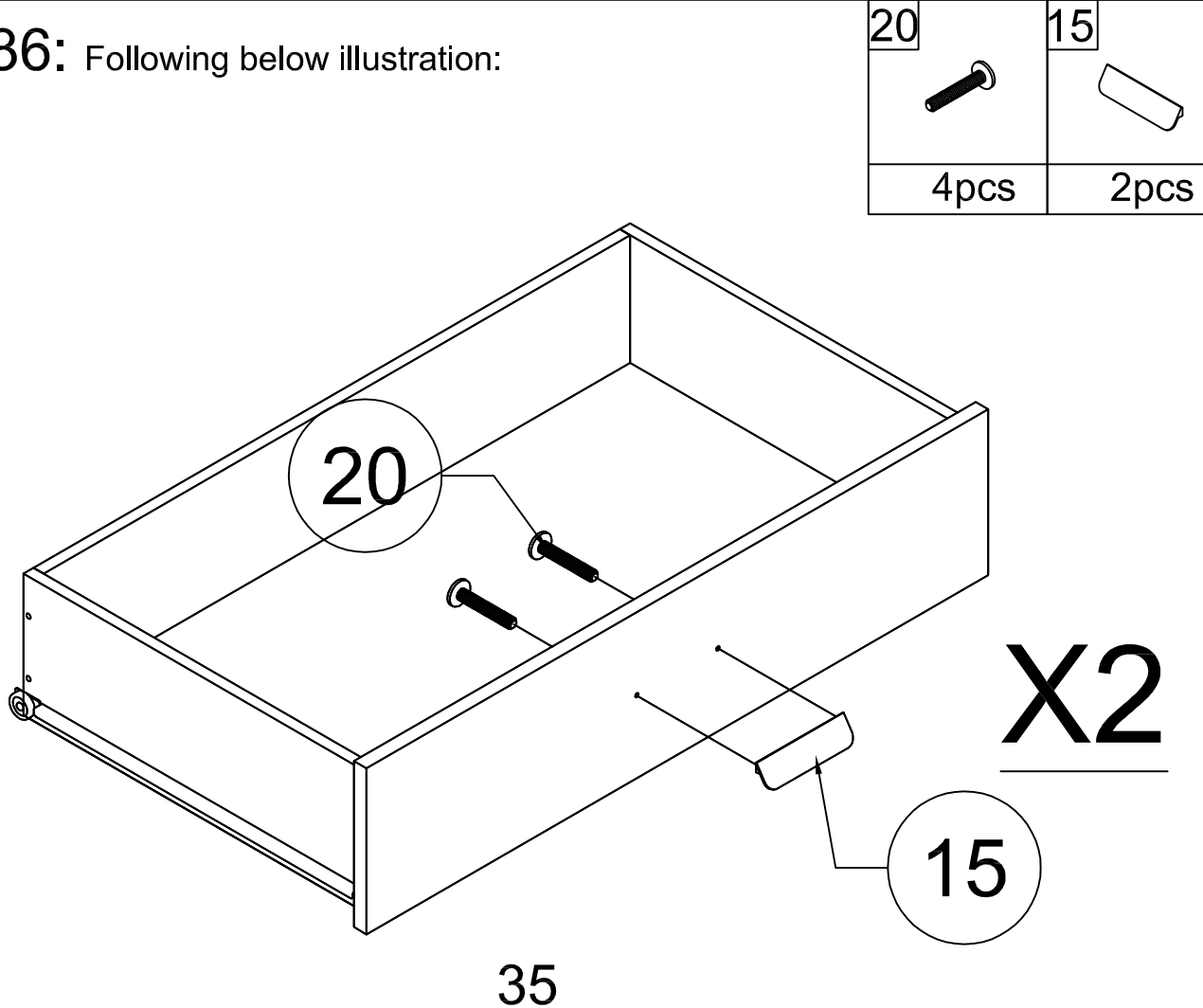
STEP 34-2: Following below illustration:



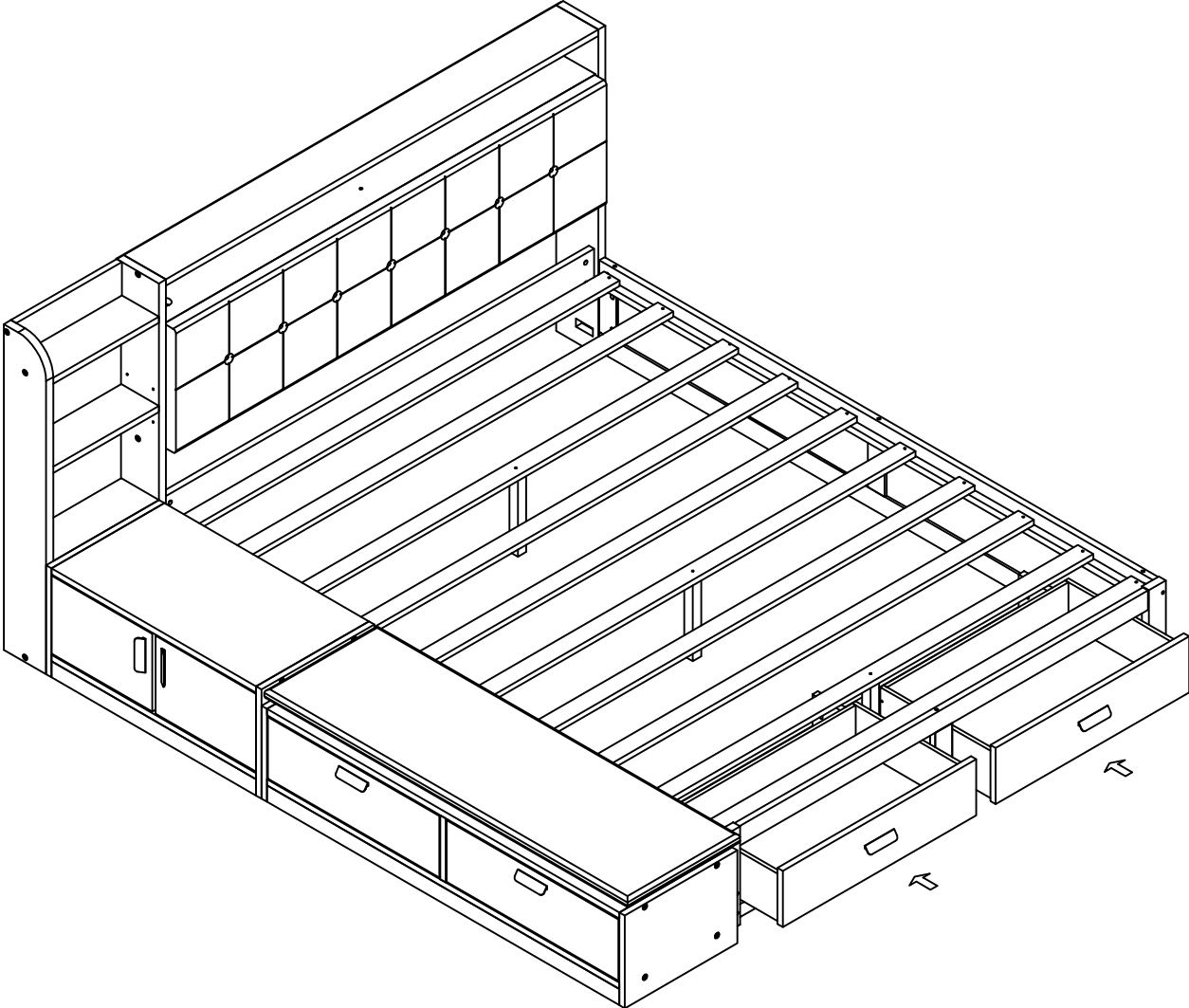
STEP 35: Following below illustration:



STEP 36: Following below illustration:

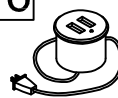


STEP 37: Following below illustration:



STEP 38: Following below illustration:

16

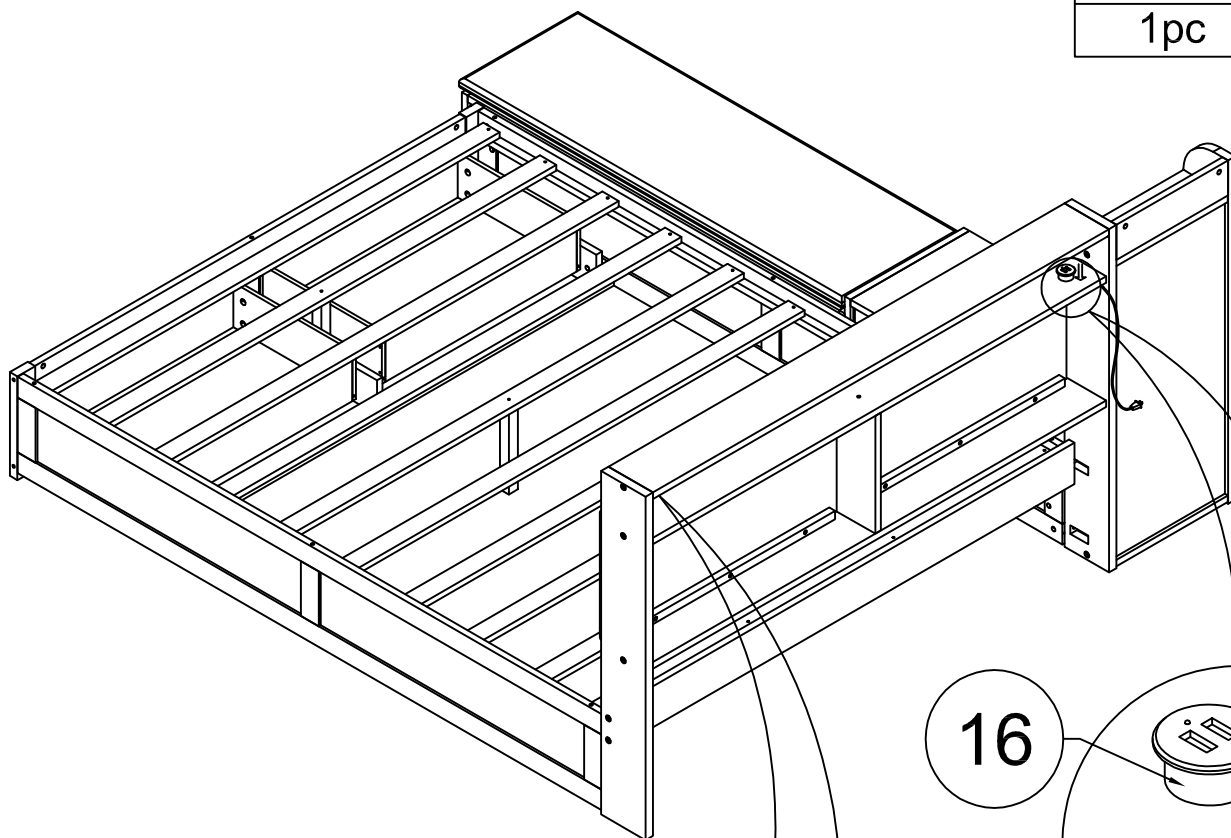


1pc

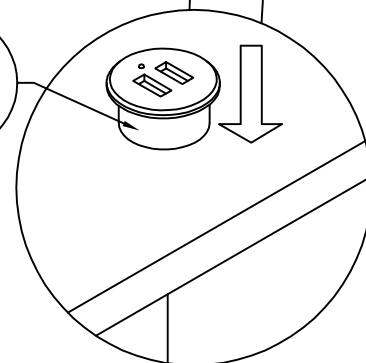
17



1pc

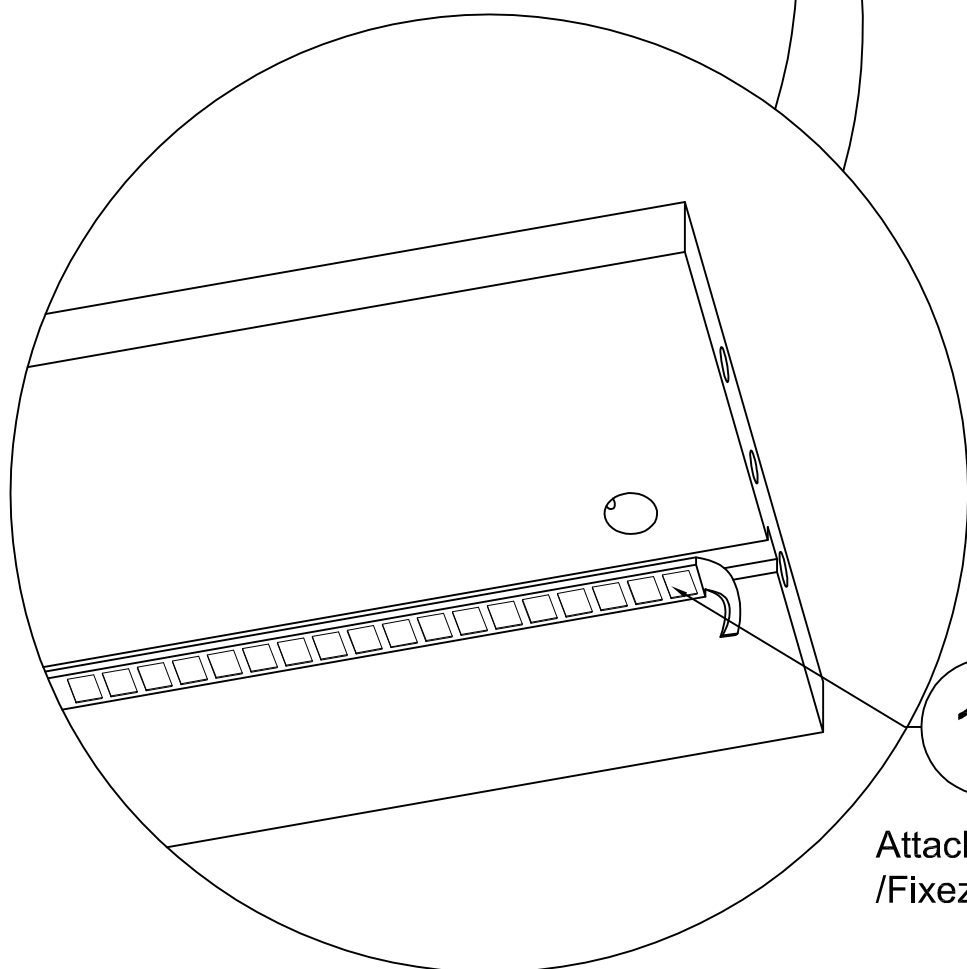


16



Attach USB Power Socket
/Connectez la prise
d'alimentation USB

17



Attach the led wire
/Fixez le fil LED

FINISH

