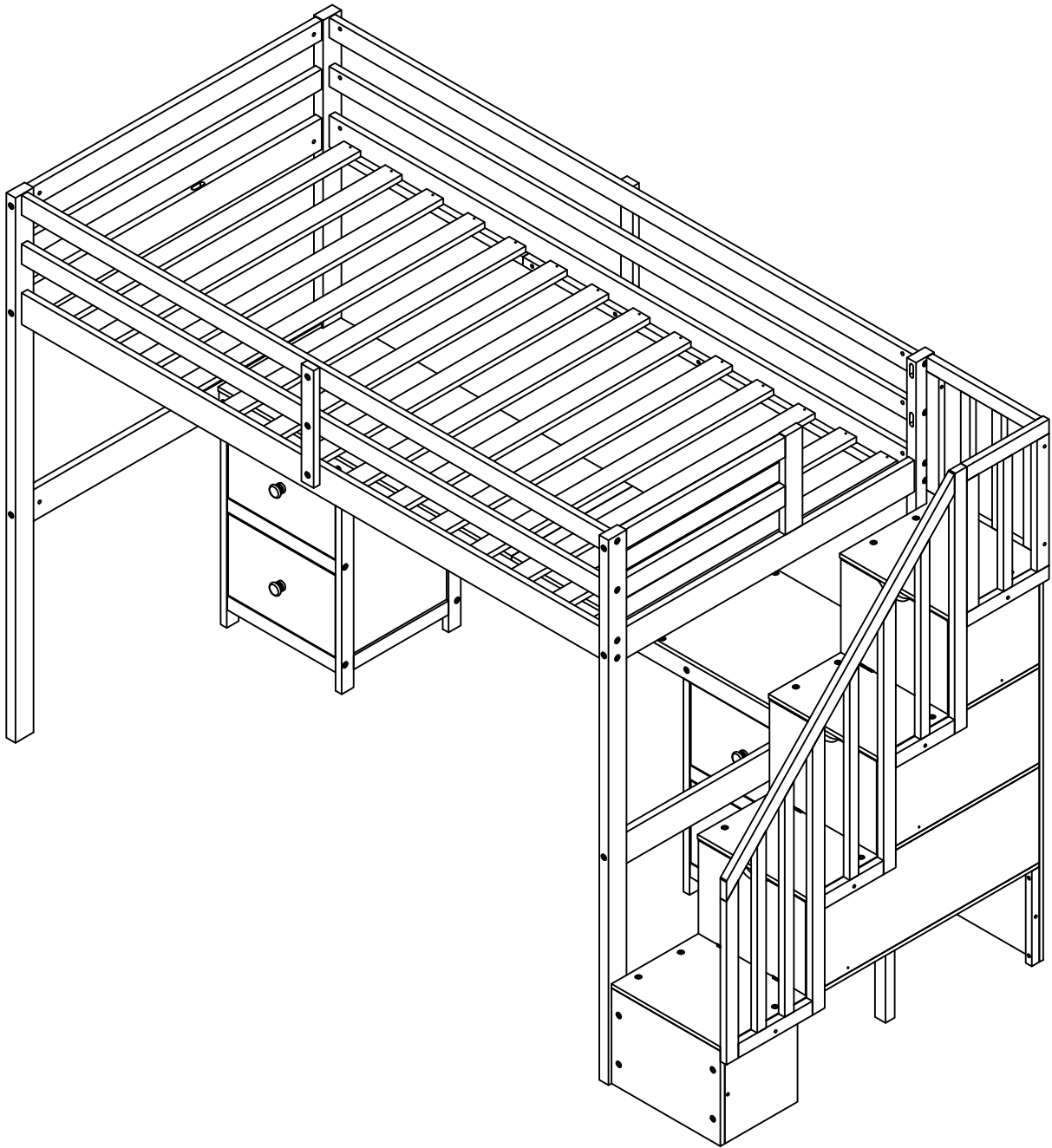


ASSEMBLY INSTRUCTION
SKU CODE: (WF321911-WF321912-WF321913)



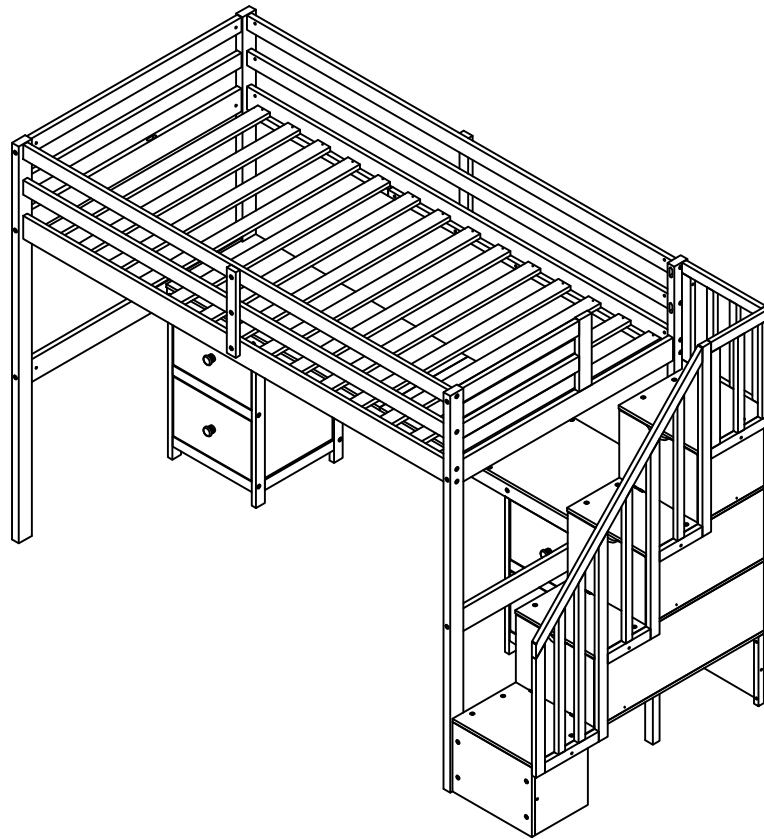
! SAFETY WARNINGS !

1. This bed is designed for use only mattress (es) meeting the following specifications on the upper bunk.

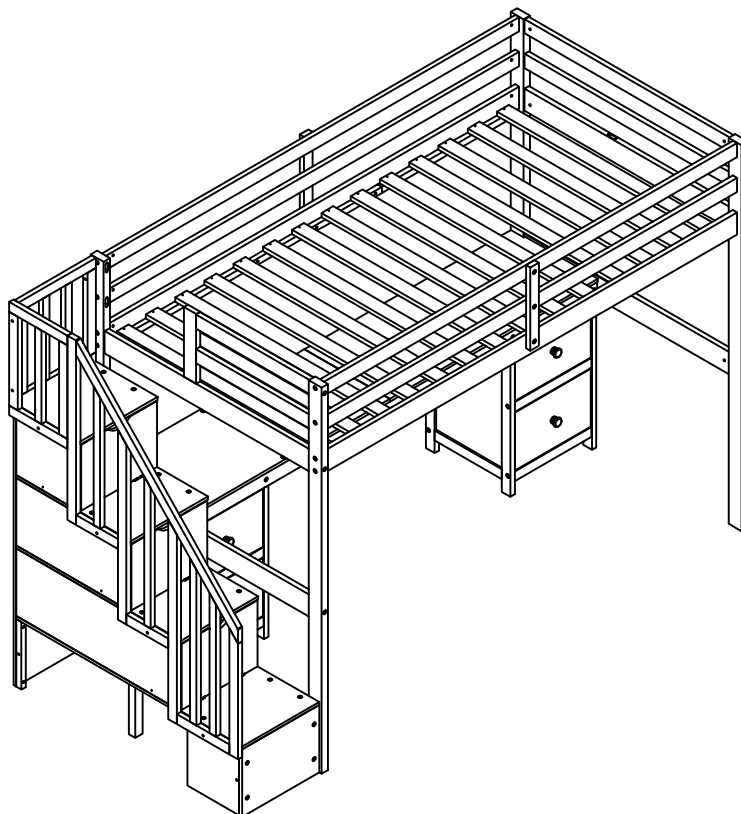
Upper bed Bed Type	Length	Width	Thickness
<i>Twin Standard</i>	<i>74" - 75"</i>	<i>38 1/2"</i>	<i>6" max</i>

2. Replacement parts, including additional guardrails, maybe obtained from any of our (GIGACLOUD TECHNOLOGY (USA) INC. 18961 ARENTH AVENUE CITY OF INDUSTRY, CA, 91748) dealers
3. Follow the information on the warnings appearing on the upper bunk bed end structure and on the carton. Do not remove warning label from bed
4. Always use the recommended size mattresses or mattress supports, or both, to help prevent the likelihood of entrapment or falls.
5. Surface of mattress must be at least 5" (127mm) below the upper edge of guardrails
6. Do not allow children under 6 years of age to use the upper bunk.
7. Periodically check and ensure that the guardrail, ladder, and other components are in their proper position, free from damage, and that all connectors are tight.
8. Do not allow horseplay on or under the bed and prohibit jumping on the bed.
9. Always use the ladder for entering and leaving the upper bunk.
10. Do not use substitute part. Contact the manufacture or dealer for replacement part
11. Use of a night light may provide added safety precaution for a child using the upper bunk..
12. Always use guardrails on both long sides of the upper bunk. If the bunk bed will be placed next to the wall, the guardrail that runs the full length of the bed should be placed against the wall to prevent entrapment between the bed and wall.
13. The use of water or sleep flotation mattresses is prohibited
14. STRANGULATION HAZARD - Never attach or hang items to any part of the bunk bed that are not designed for use with the bed; for example, but not limited to, hook, belts and jump ropes
15. Keep these instruction for future reference
16. Prohibit more than one person on upper bunk
17. We recommend assembling your bunk bed on the shipping carton to protect your floor or carpet
18. Be certain all staples are out of the box before beginning assembly on the shipping carton.

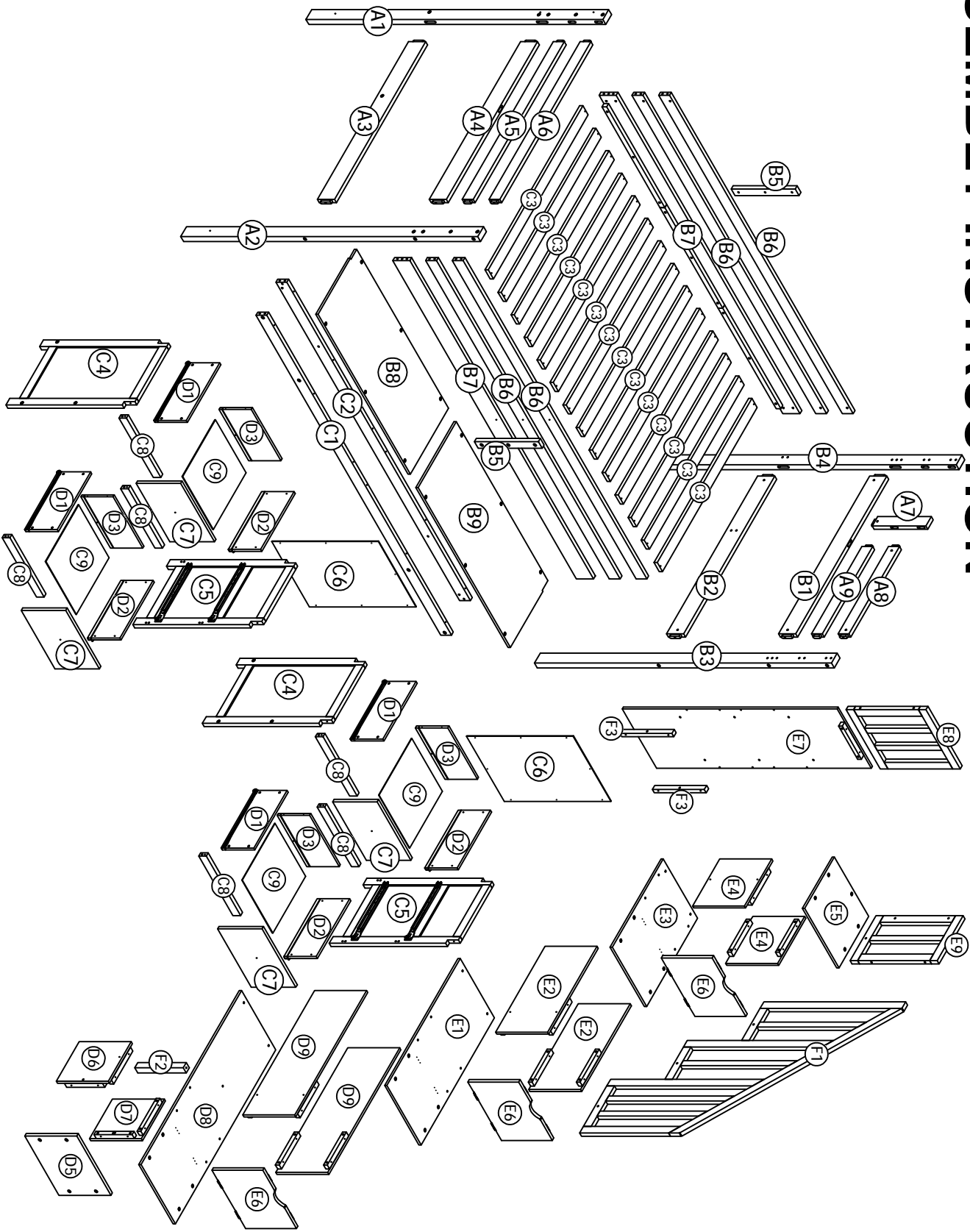
OPTION 1: STAIR IN RIGHT



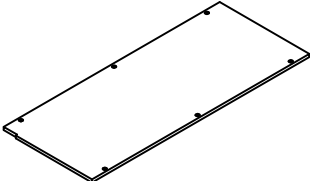
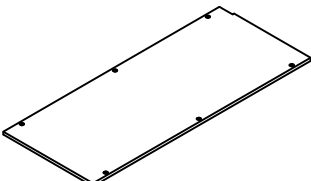
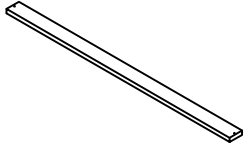
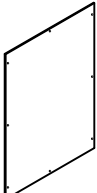
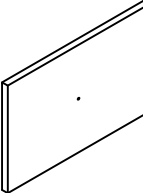
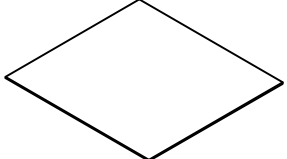
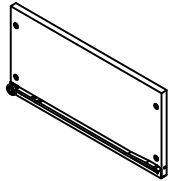
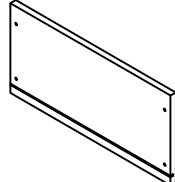
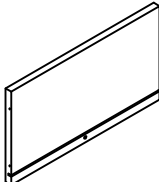
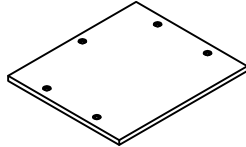
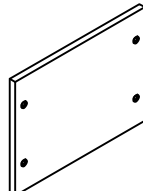
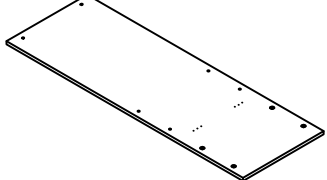
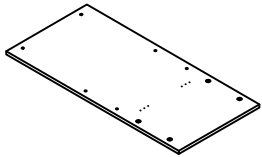
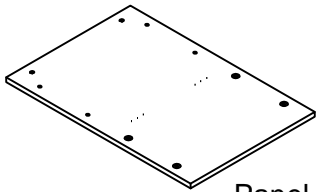
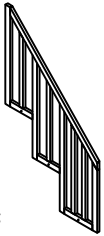
OPTION 2: STAIR IN LEFT





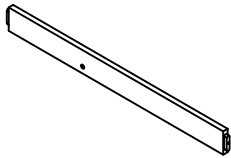
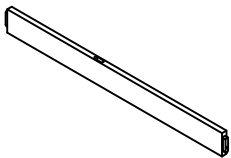
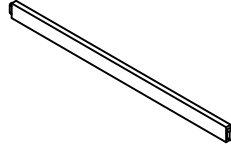
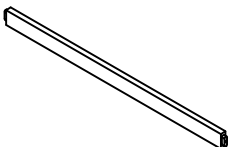

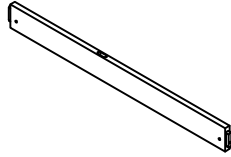
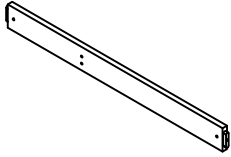



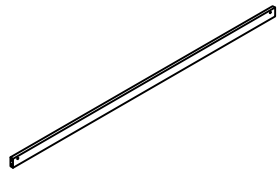
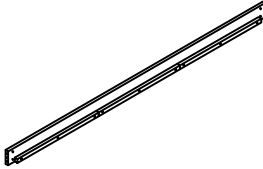
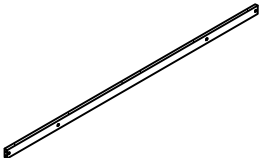
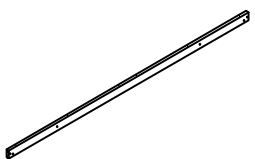
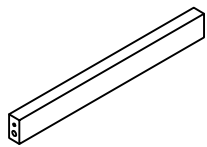
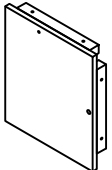
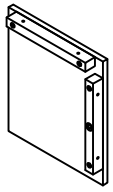
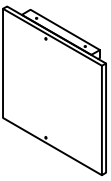
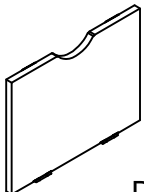

ASSEMBLY INSTRUCTION



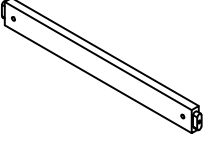
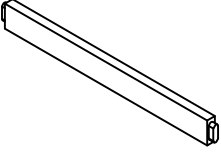
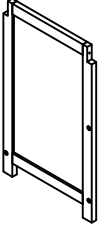
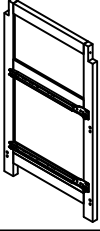
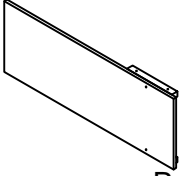
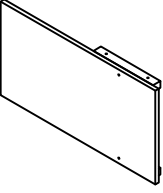

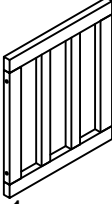
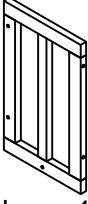

Part List (Box 1- WF321911)

B8  Panel-1pc	B9  Panel-1pc	C3  Slat-14pcs
C6  Panel-2pcs	C7  Panel-4pcs	C9  Panel-4pcs
D1  Panel-4pcs	D2  Panel-4pcs	D3  Panel-4pcs
E5  Panel-1pc	D5  Panel-1pc	D8  Panel-1pc
E1  Panel-1pc	E3  Panel-1pc	F1  Stair railing below-1pc

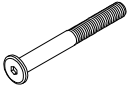
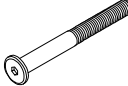
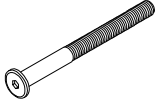
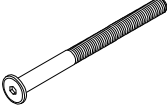
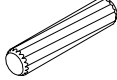
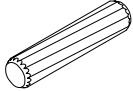
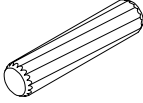
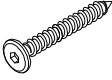
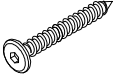
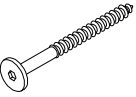
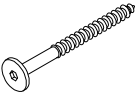

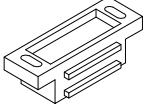
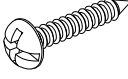
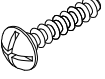
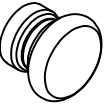
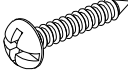
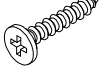
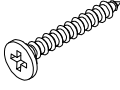
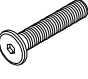
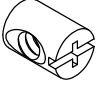
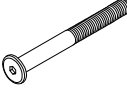
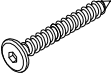
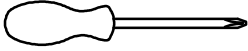
Part List & Hardware List (Box 2- WF321912)

<p>A1</p>  <p>WoodBar-1pc</p>	<p>A2</p>  <p>WoodBar-1pc</p>	<p>A3</p>  <p>WoodBar-1pc</p>
<p>A4</p>  <p>WoodBar-1pc</p>	<p>A5</p>  <p>WoodBar-1pc</p>	<p>A6</p>  <p>WoodBar-1pc</p>
<p>A7</p>  <p>WoodBar-1pc</p>	<p>B1</p>  <p>WoodBar-1pc</p>	<p>B2</p>  <p>WoodBar-1pc</p>
<p>B3</p>  <p>WoodBar-1pc</p>	<p>B4</p>  <p>WoodBar-1pc</p>	<p>B5</p>  <p>WoodBar-2pcs</p>
<p>B6</p>  <p>WoodBar-4pcs</p>	<p>B7</p>  <p>Side rail-2pcs</p>	<p>C1</p>  <p>WoodBar-1pc</p>
<p>C2</p>  <p>WoodBar-1pc</p>	<p>C8</p>  <p>WoodBar-6pcs</p>	<p>D6</p>  <p>Panel-1pc</p>
<p>D7</p>  <p>Panel-1pc</p>	<p>E4</p>  <p>Panel-2pcs</p>	<p>E6</p>  <p>Door-3pcs</p>
<p>F2</p>  <p>WoodBar-1pc</p>		

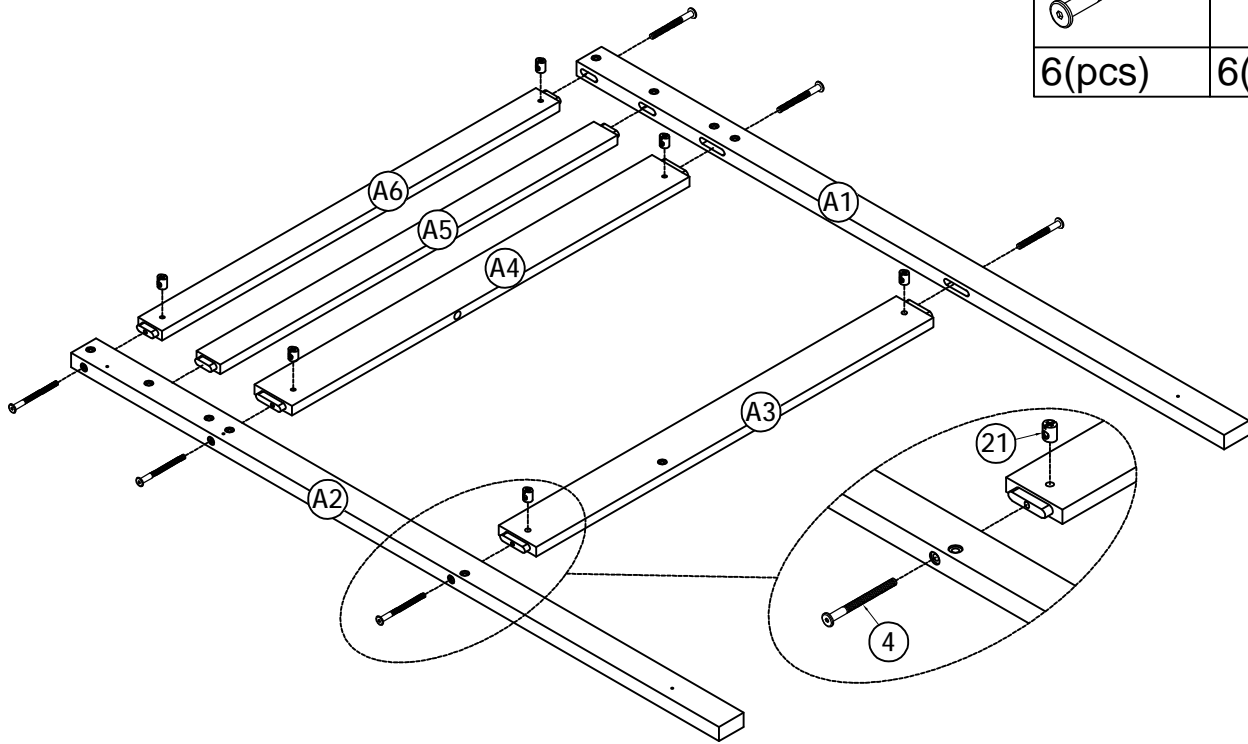
Part List (Box 3- WF321913)

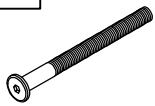

<p>A8</p>  <p>WoodBar-1pc</p>	<p>A9</p>  <p>WoodBar-1pc</p>	<p>C4</p>  <p>Panel-2pcs</p>
<p>C5</p>  <p>Panel-2pcs</p>	<p>D9</p>  <p>Panel-2pcs</p>	<p>E2</p>  <p>Panel-2pcs</p>
<p>E7</p>  <p>Panel-1pc</p>	<p>E8</p>  <p>Stair railing above-1pc</p>	<p>E9</p>  <p>Stair railing above-1pc</p>
<p>F3</p>  <p>WoodBar-2pcs</p>		

Hardware List (Box 2- WF321912)

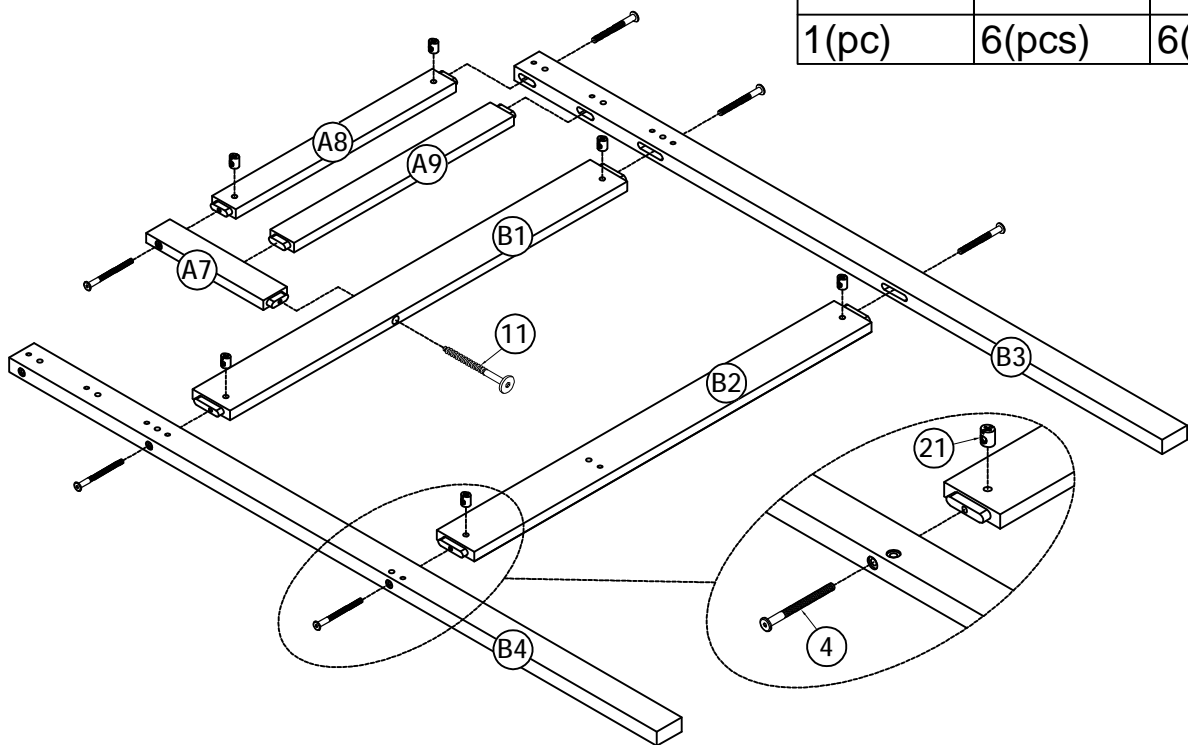
<p>1</p>  <p>Ø1/4" x 50 mm Hex-Head bolts 6pcs</p>	<p>2</p>  <p>Ø1/4" x 70 mm Hex-Head bolts 2pcs</p>	<p>3</p>  <p>Ø1/4" x 80 mm Hex-Head bolts 18pcs</p>
<p>4</p>  <p>Ø1/4" x 100 mm Hex-Head bolts 12pcs</p>	<p>5</p>  <p>Ø6 x 30 mm Wood dowel 8pcs</p>	<p>6</p>  <p>Ø8 x 30 mm Wood dowel 12pcs</p>
<p>7</p>  <p>Ø10 x 40 mm Wood dowel 16pcs</p>	<p>8</p>  <p>Screws 1/4" x 30mm 51pcs</p>	<p>9</p>  <p>Screws 1/4" x 40mm 14pcs</p>
<p>10</p>  <p>Screws 1/4" x 60mm 5pcs</p>	<p>11</p>  <p>Screws 1/4" x 100mm 1pc</p>	<p>12</p>  <p>Allen Key 1pc</p>
<p>13</p>  <p>Magnet Door Catcher 6pcs</p>	<p>14</p>  <p>M3.5 x 12 mm Wood Screws 12pcs</p>	<p>15</p>  <p>M4 x 25 mm Wood Screws 4pcs</p>
<p>16</p>  <p>Handle Wood 4pcs</p>	<p>17</p>  <p>M4 x 15 mm Wood Screws 16pcs</p>	<p>18</p>  <p>M3 x 12 mm Wood Screws 18pcs</p>
<p>19</p>  <p>M4 x 30mm Wood Screws 60pcs</p>	<p>20</p>  <p>Ø1/4" x 30 mm Hex-Head bolts 1pc</p>	<p>21</p>  <p>Ø1/4" x 13 mm Horizontal-Hole bolts 50pcs</p>
<p>22</p>  <p>Ø1/4" x 60 mm Hex-Head bolts 12pcs</p>	<p>23</p>  <p>Screws 1/4" x 50mm 5pcs</p>	 <p>Assembly Tools Required (Not Included)</p>

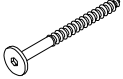


STEP1: Following below illustration.



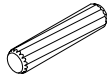
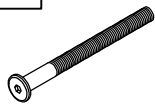

4	21
	
6(pcs)	6(pcs)

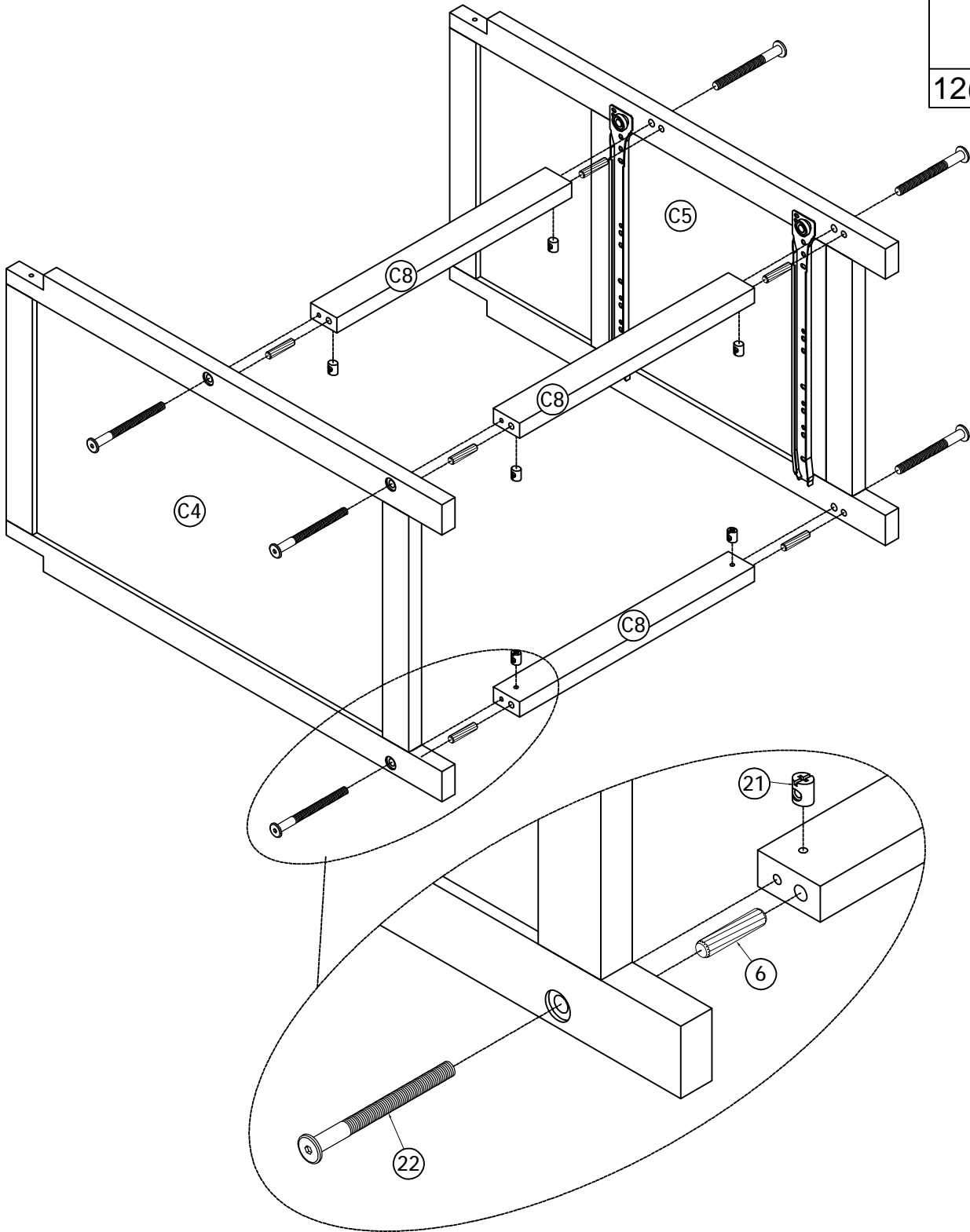
STEP2: Following below illustration.



11	4	21
		
1(pc)	6(pcs)	6(pcs)

STEP3 x 2: Following below illustration.

6	22
	
12(pcs)	12(pcs)
	21
	
	12(pcs)

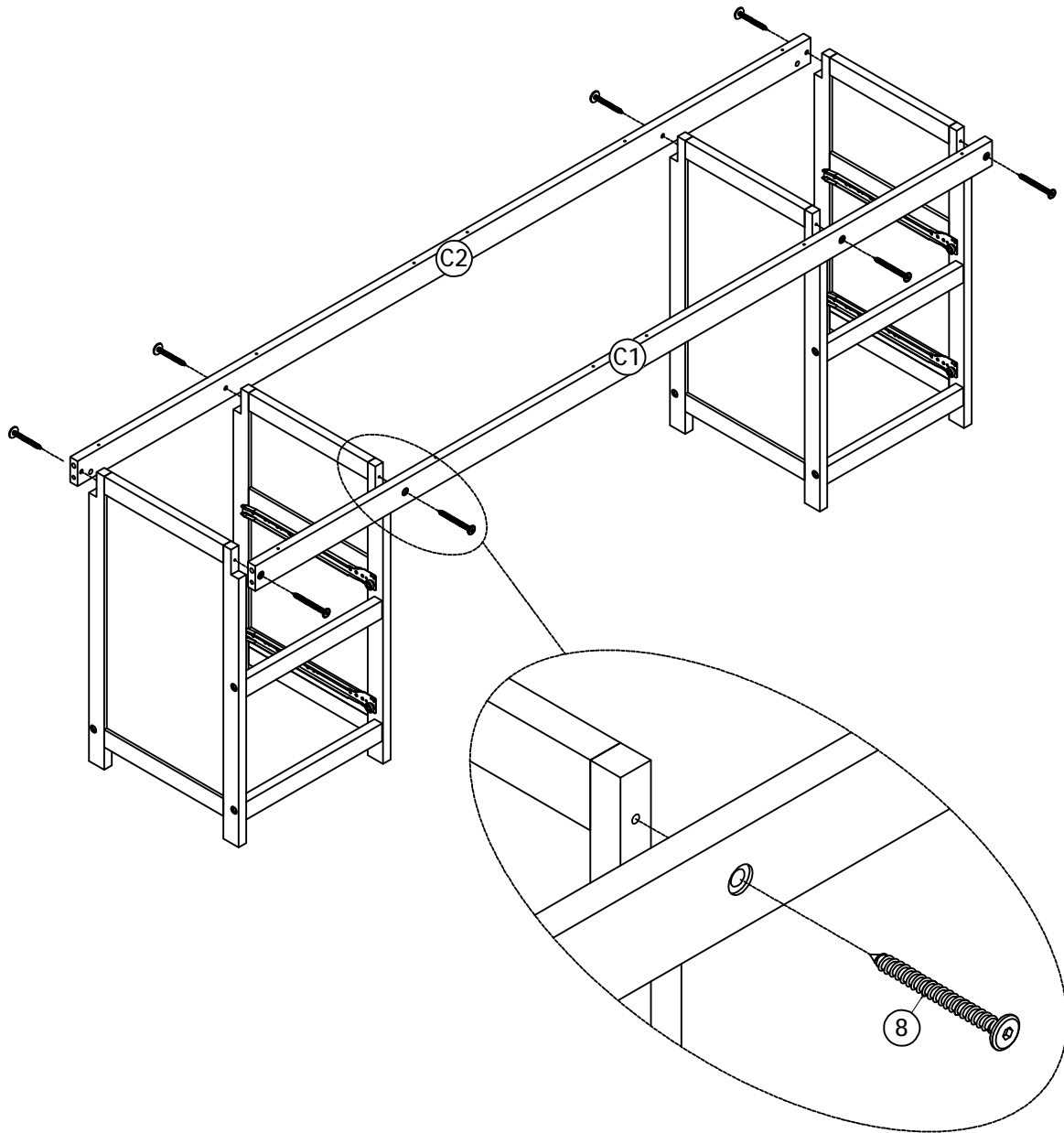


STEP4: Following below illustration.

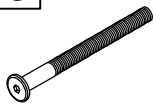

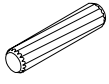
9

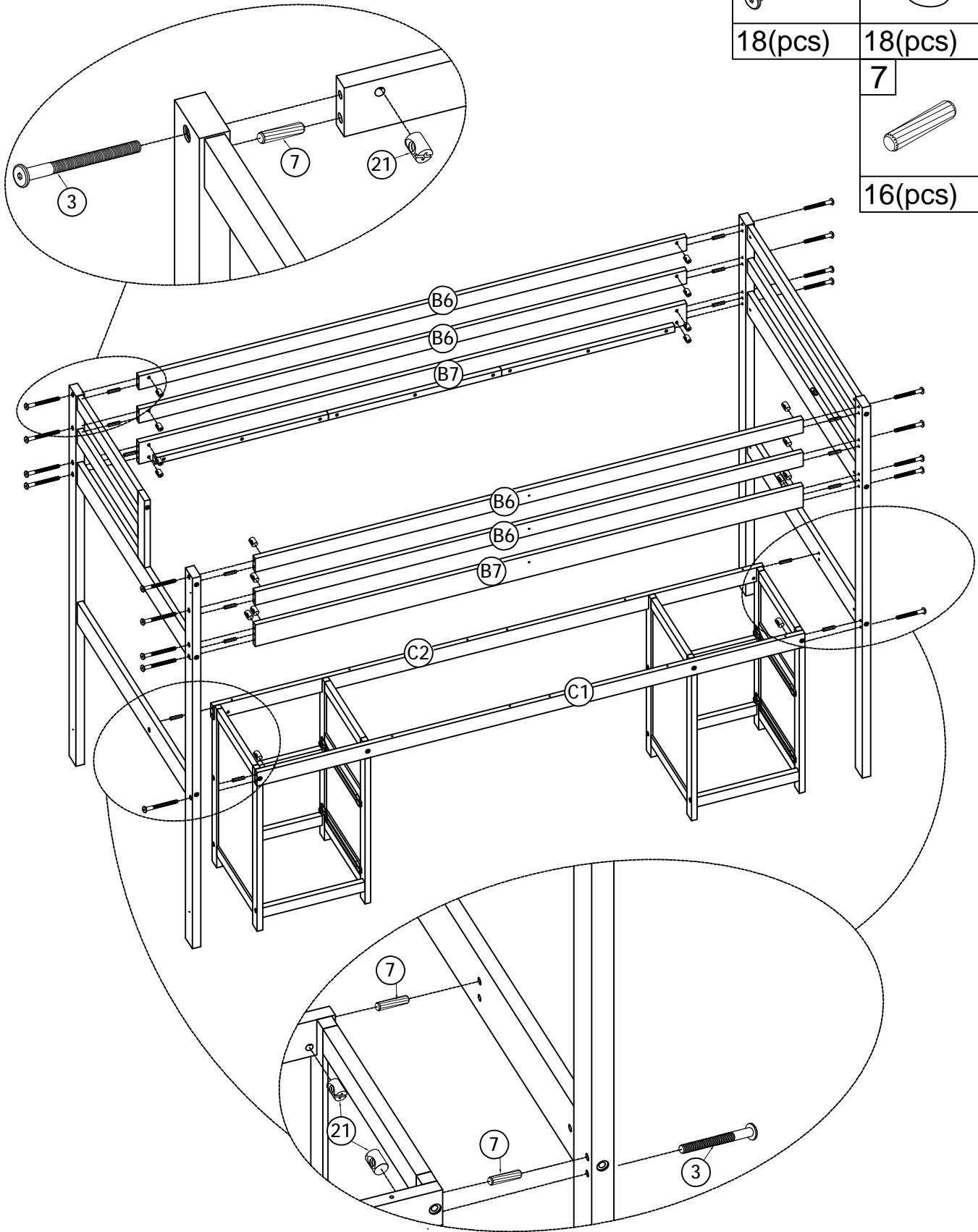


8(pcs)


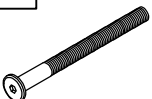


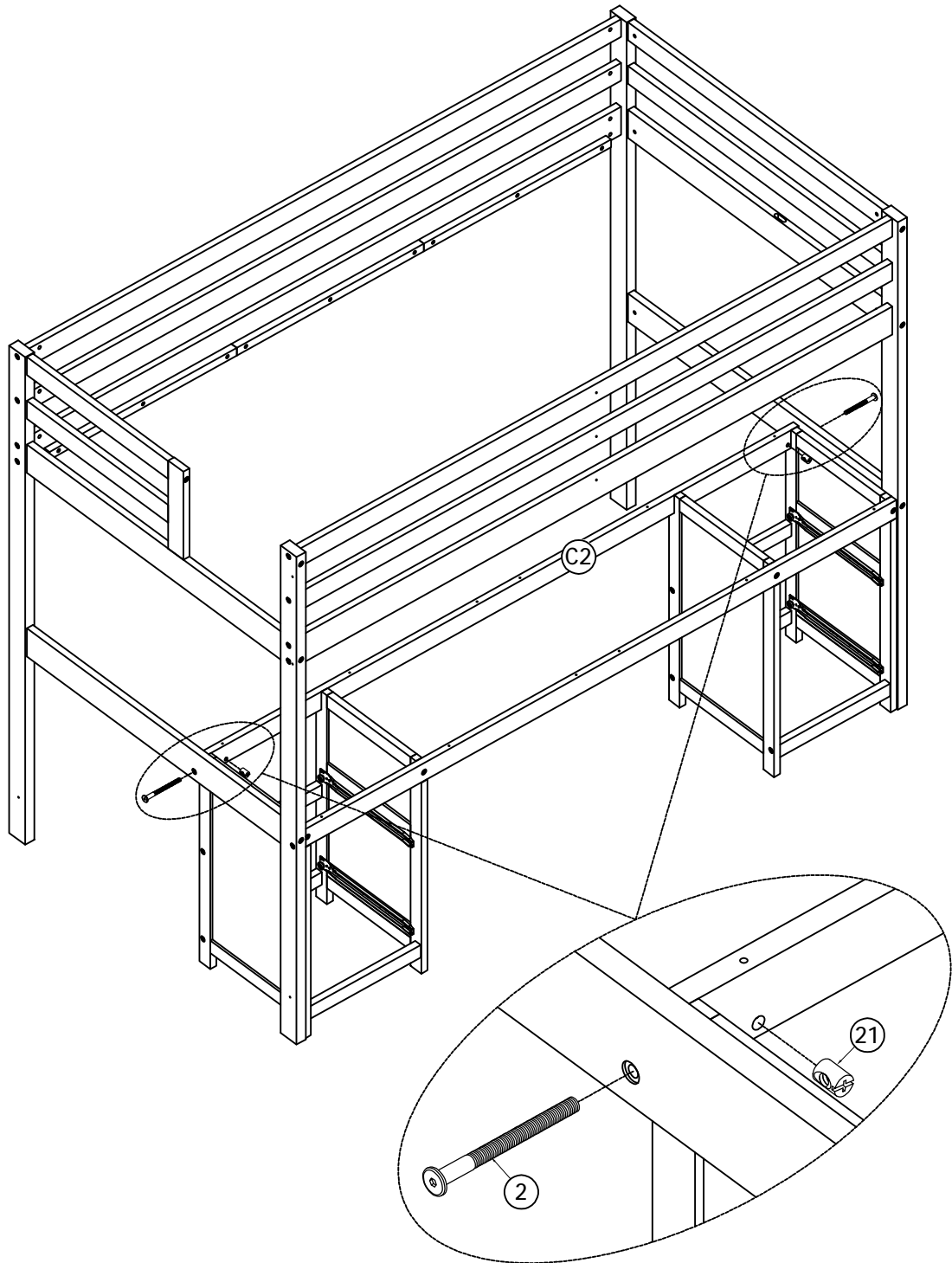
STEP5: Following below illustration.

3	21
	
18(pcs)	18(pcs)
	7
	
	16(pcs)



STEP6: Following below illustration.

21		2	
2(pcs)		2(pcs)	

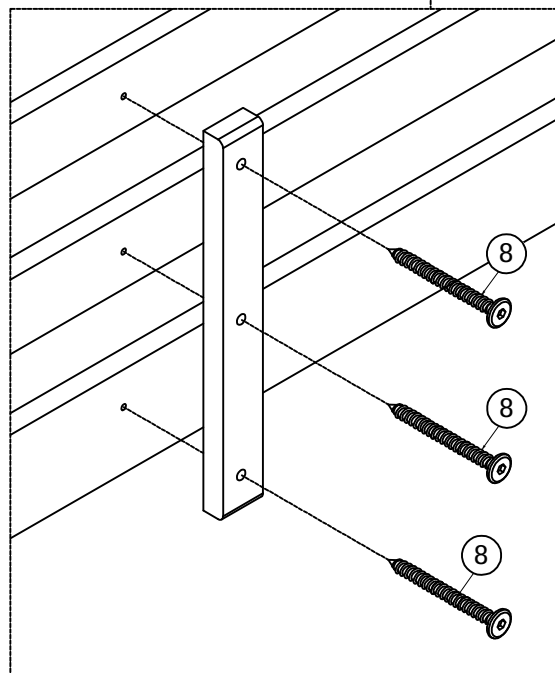
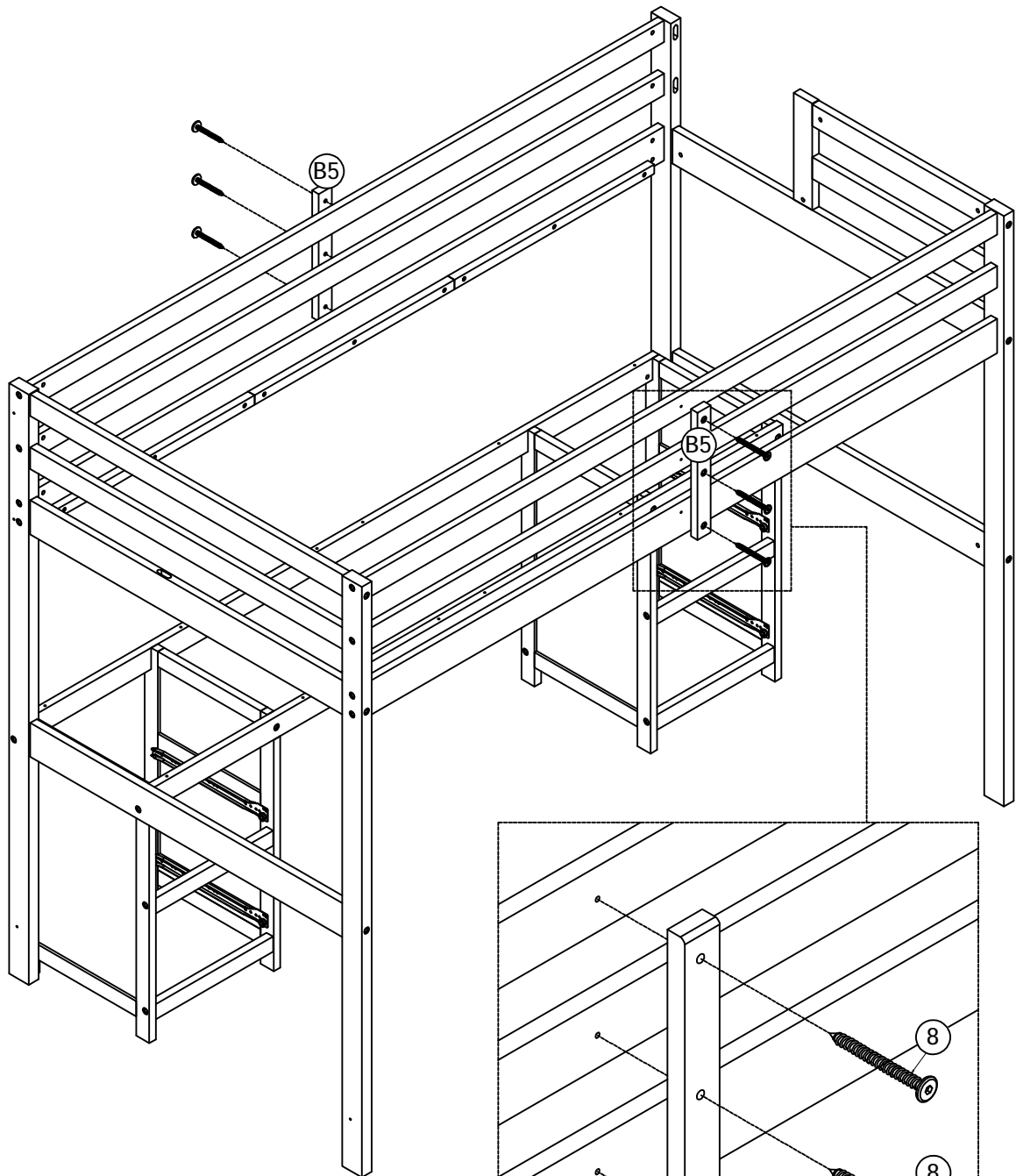


STEP 7: Following below illustration.



8

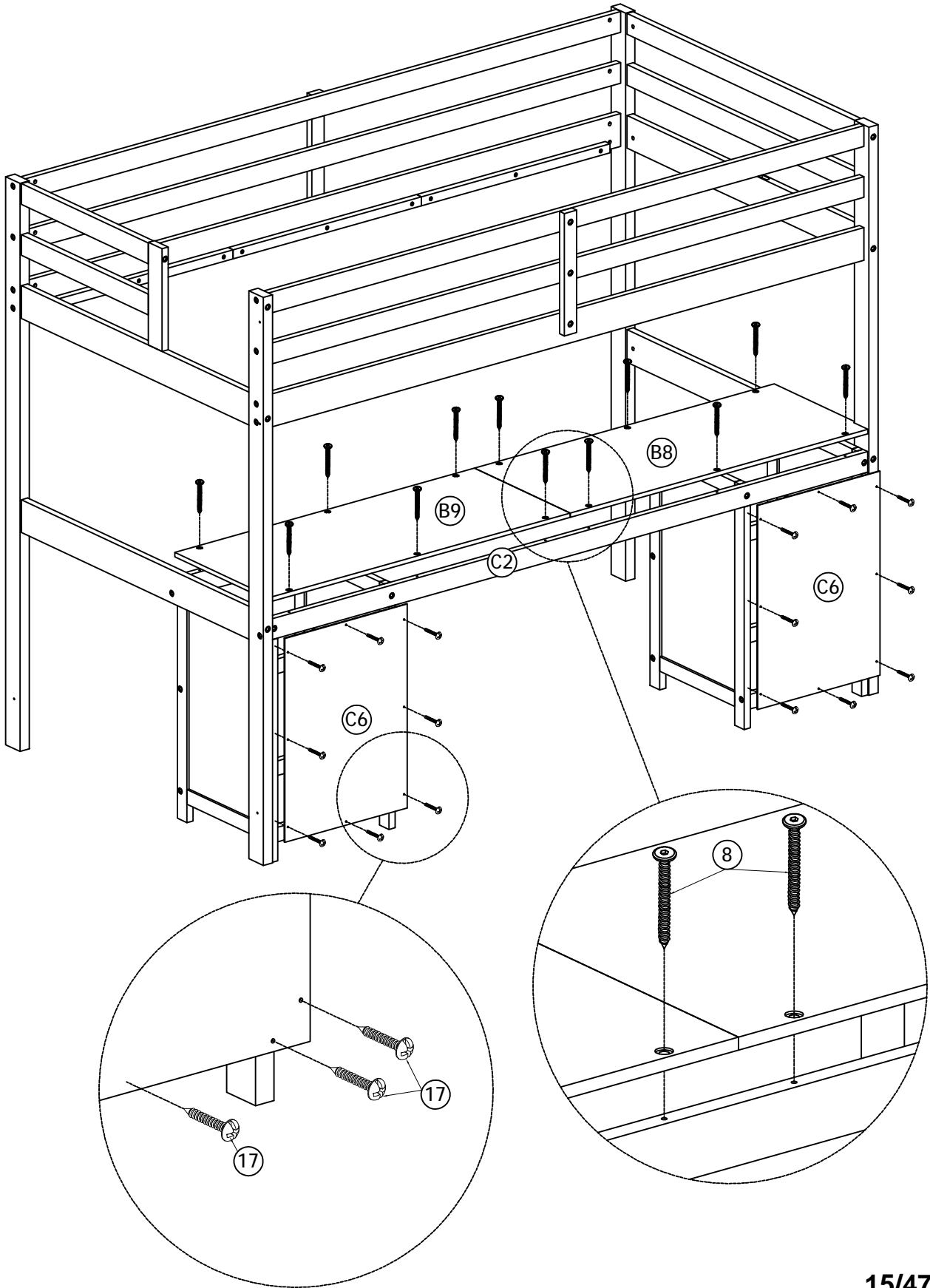


6(pcs)



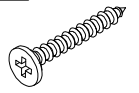
STEP8: Following below illustration.

17	8
	
16(pcs)	12(pcs)

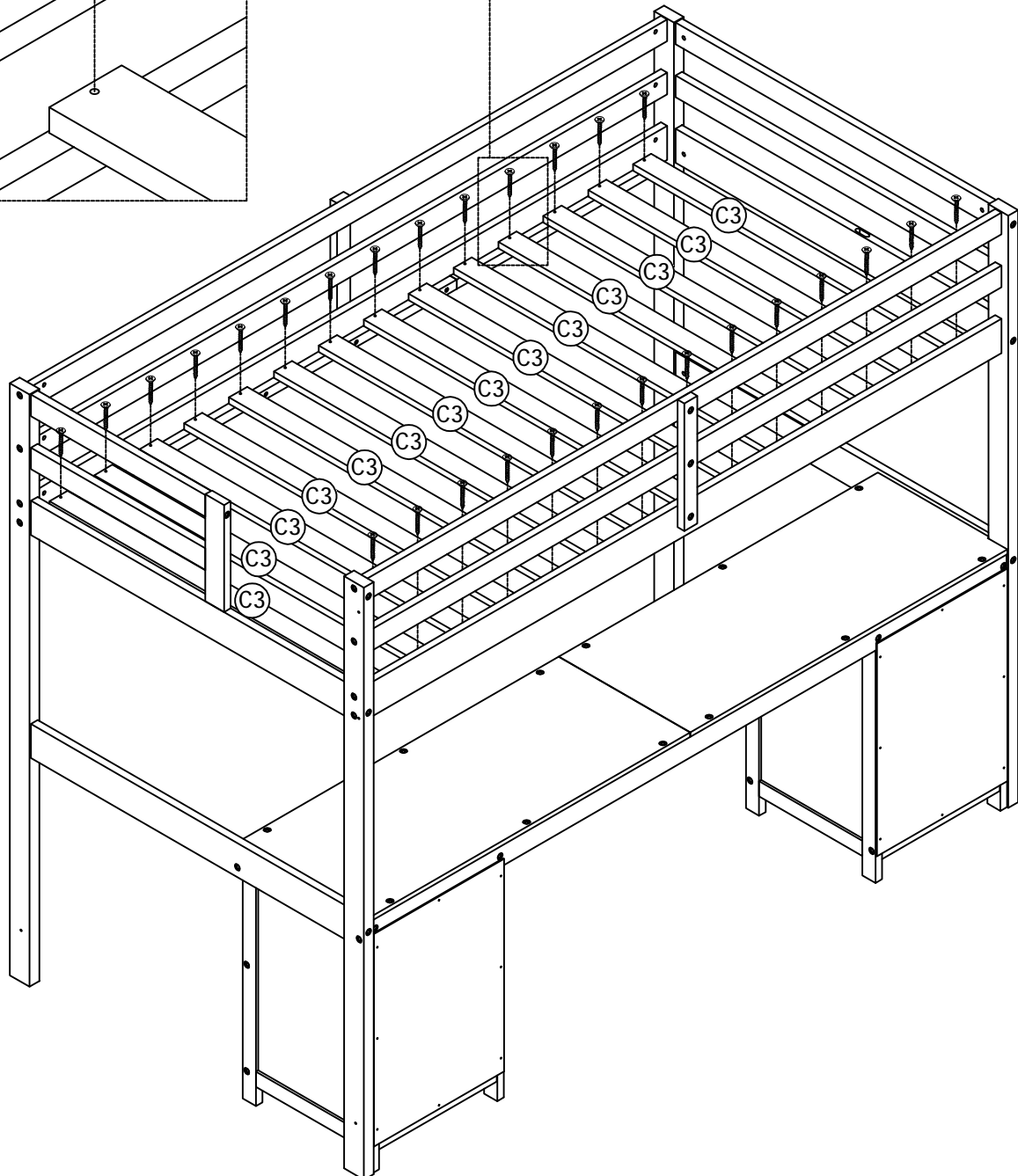
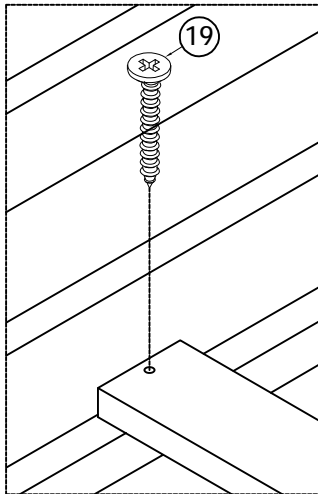


STEP9: Following below illustration.

19

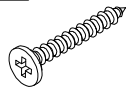


28(pcs)

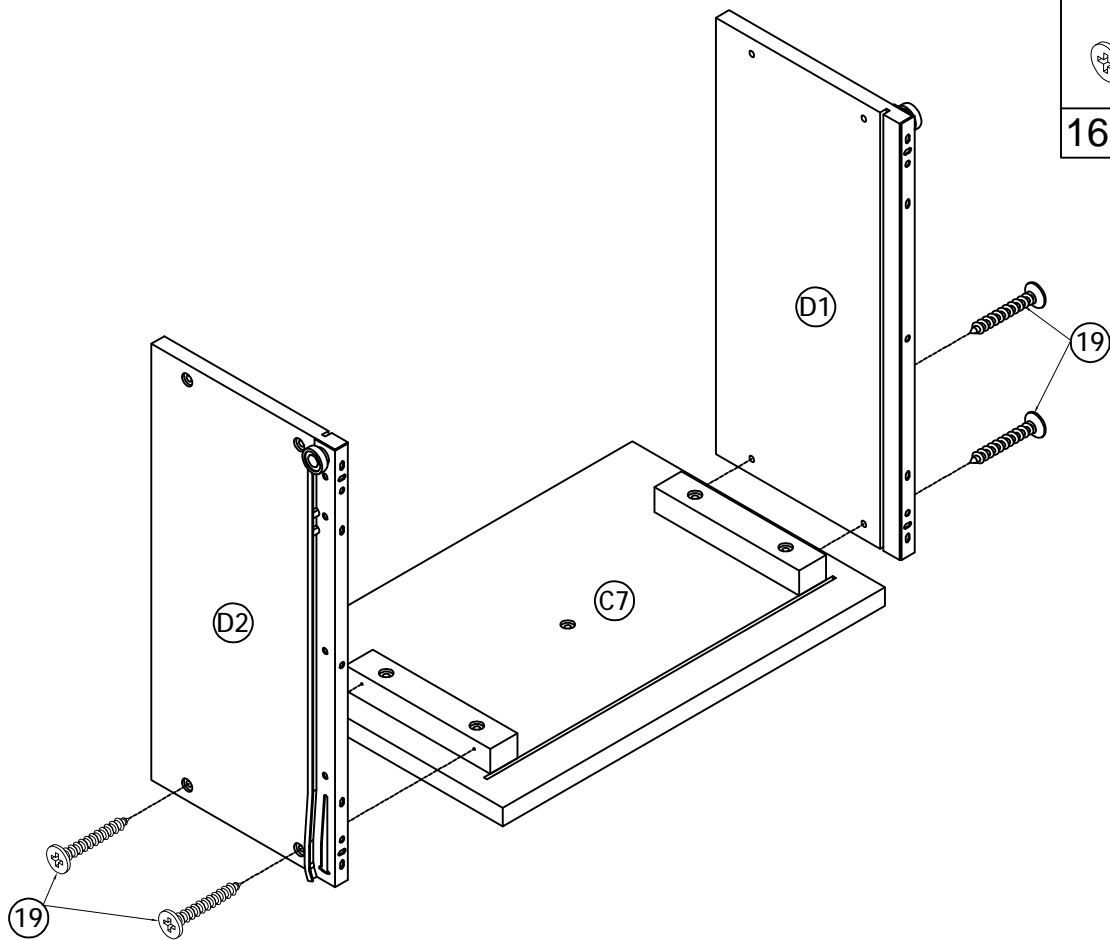


STEP10 x 4: Following below illustration.

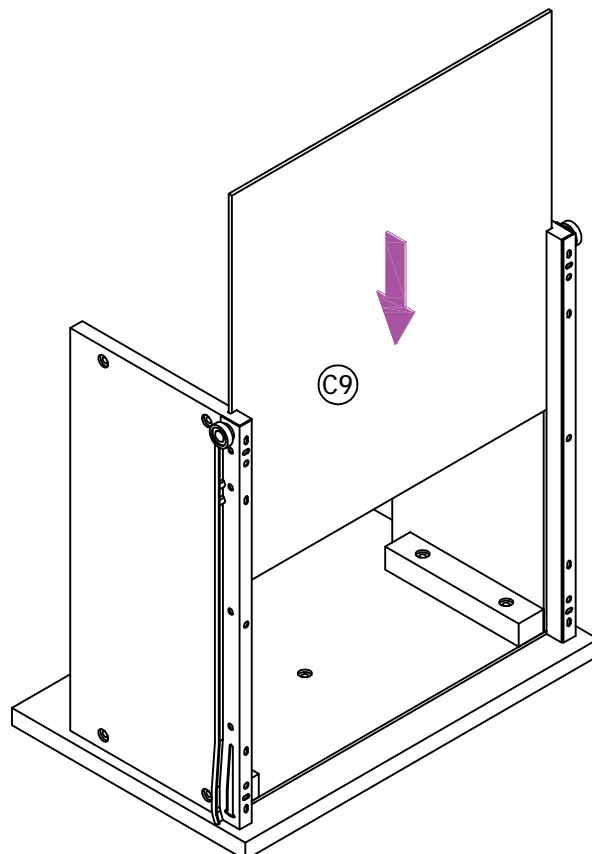
19



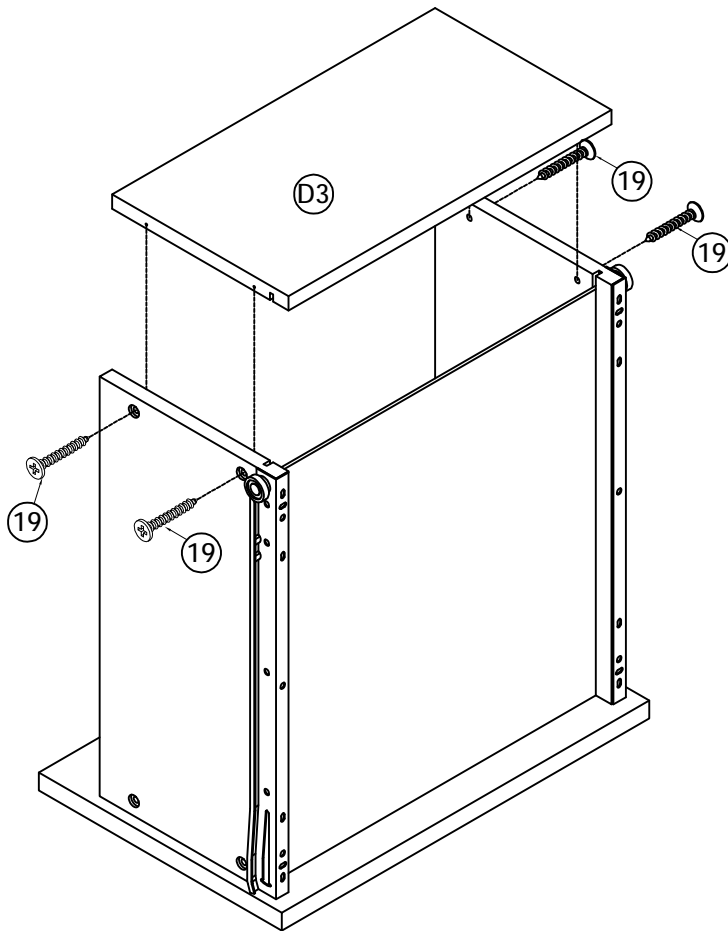
16(pcs)



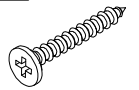
STEP11 x 4: Following below illustration.



STEP12 x 4: Following below illustration.

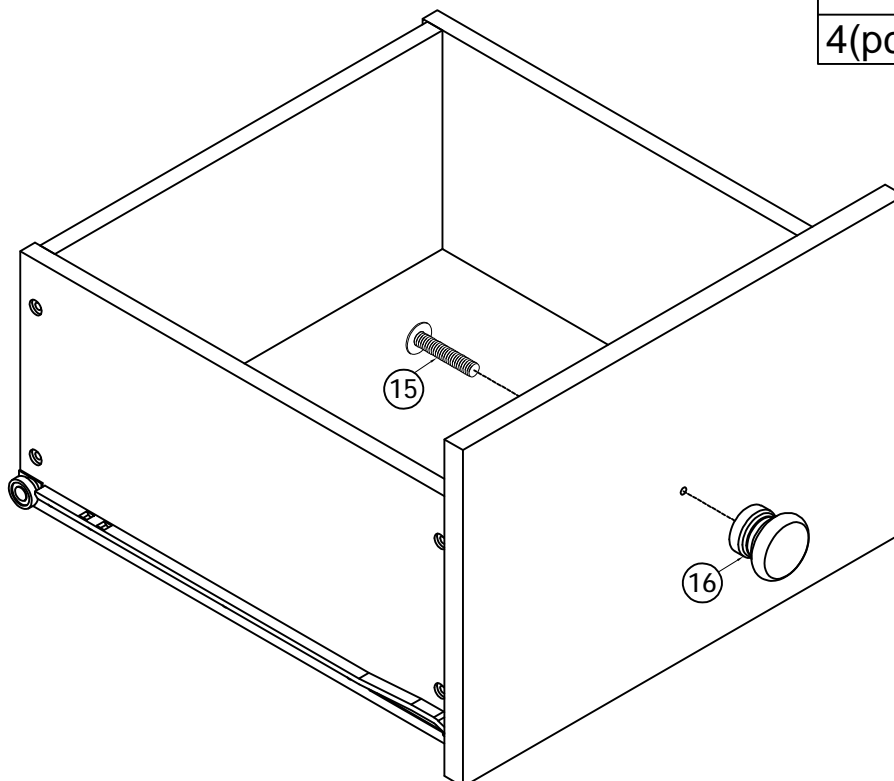


19

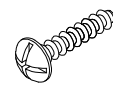


16(pcs)

STEP13 x 4: Following below illustration.



15



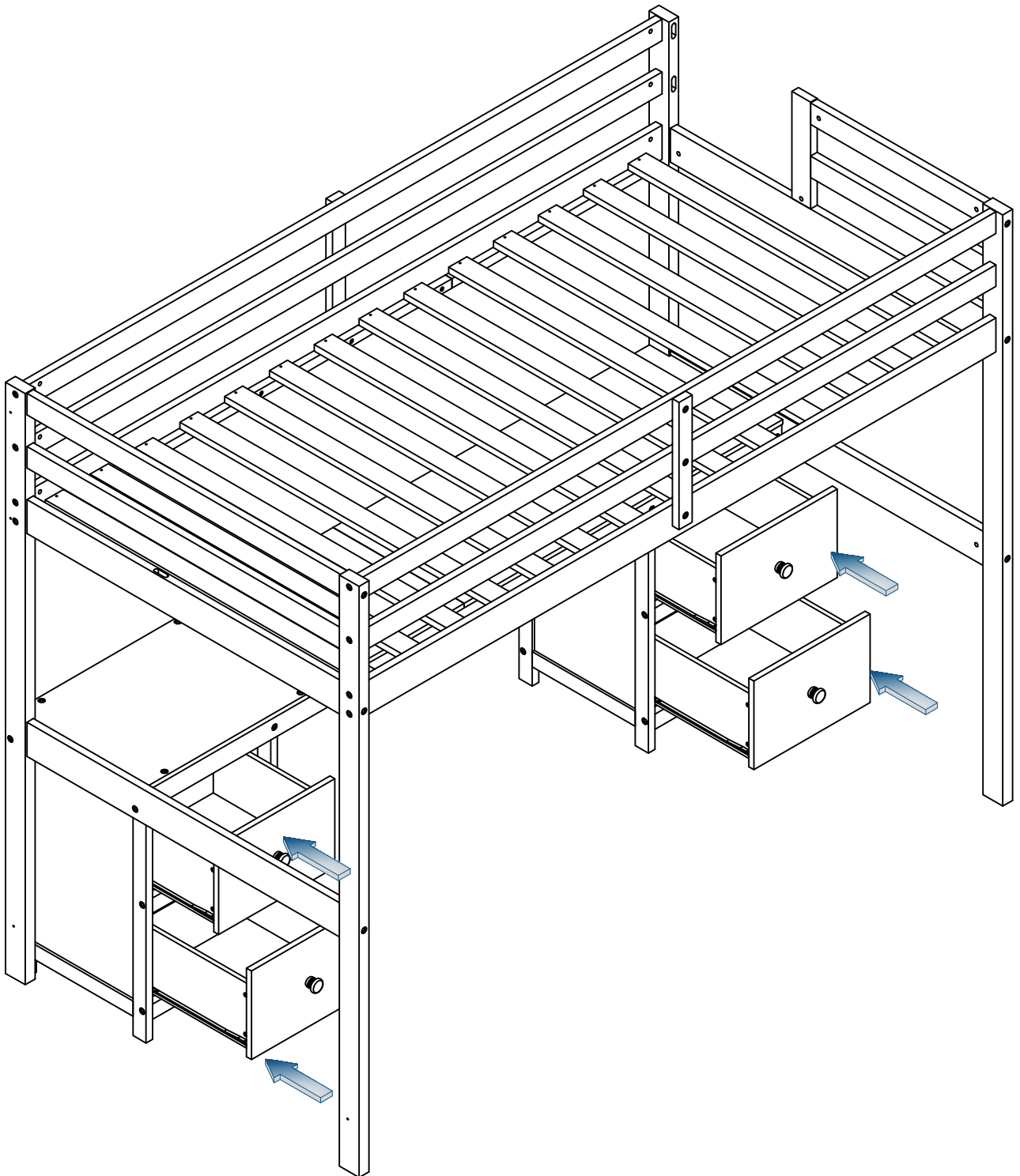
4(pcs)

16

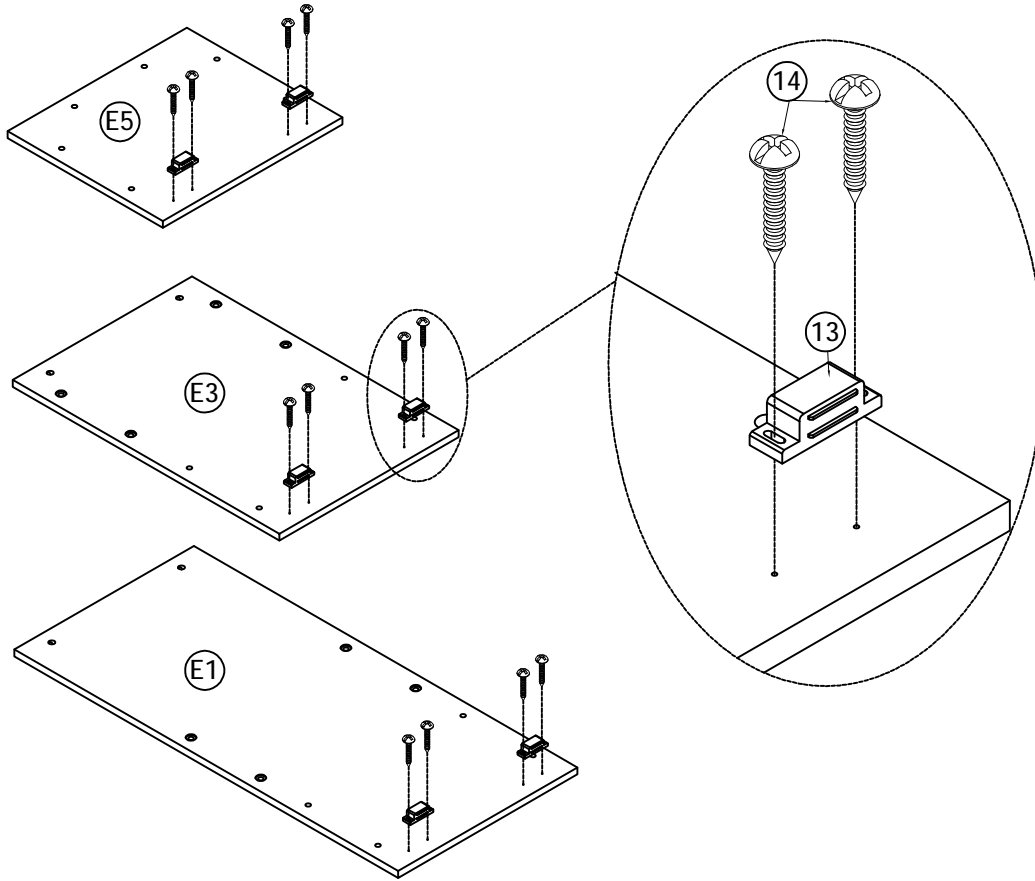


4(pcs)

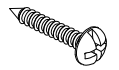
STEP14: Following below illustration.



STEP15: Following below illustration.

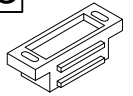


14



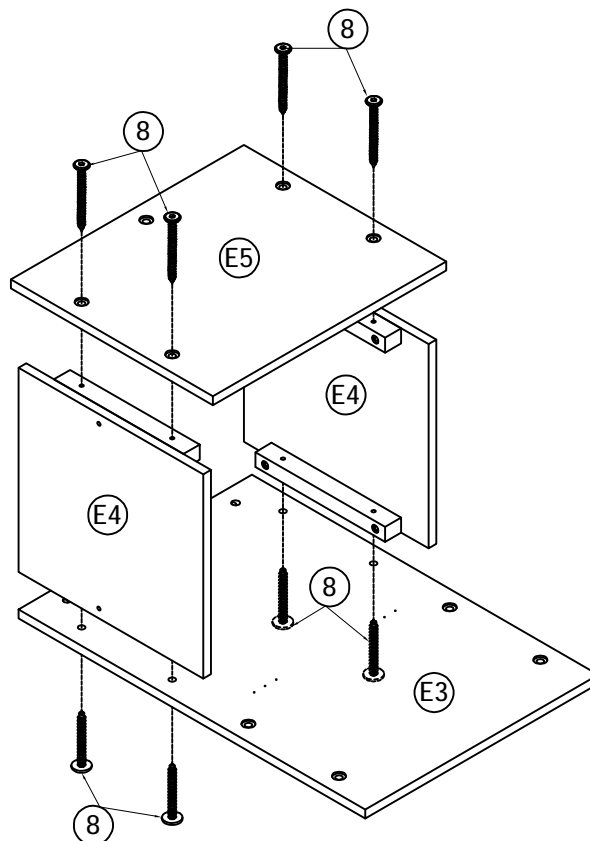
12(pcs)

13



6(pcs)

STEP16: Following below illustration.

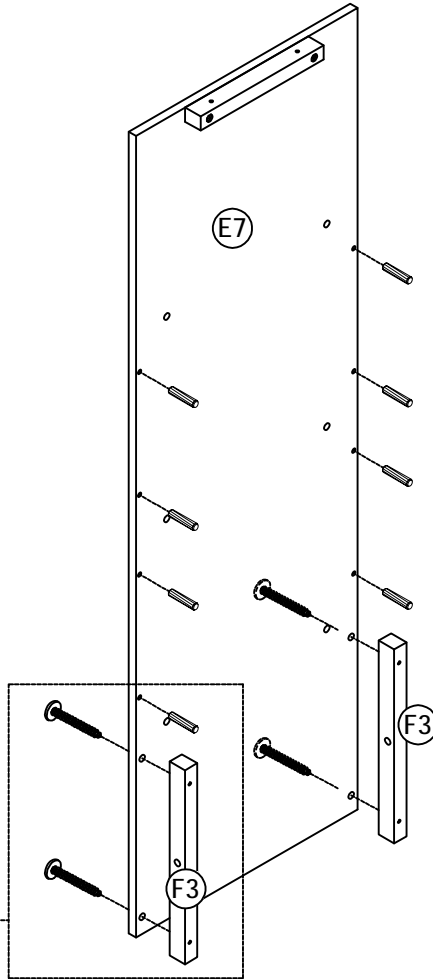
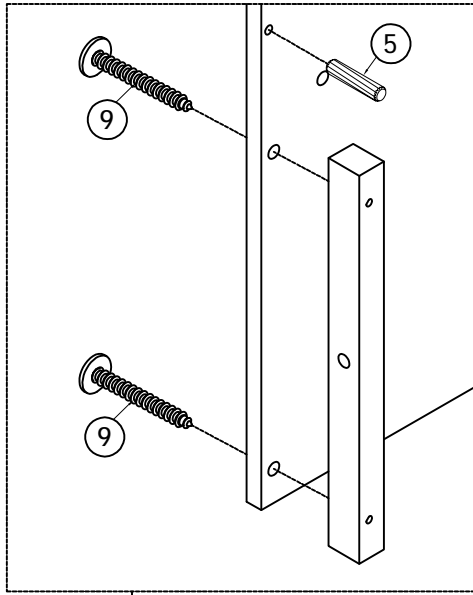



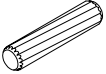
8



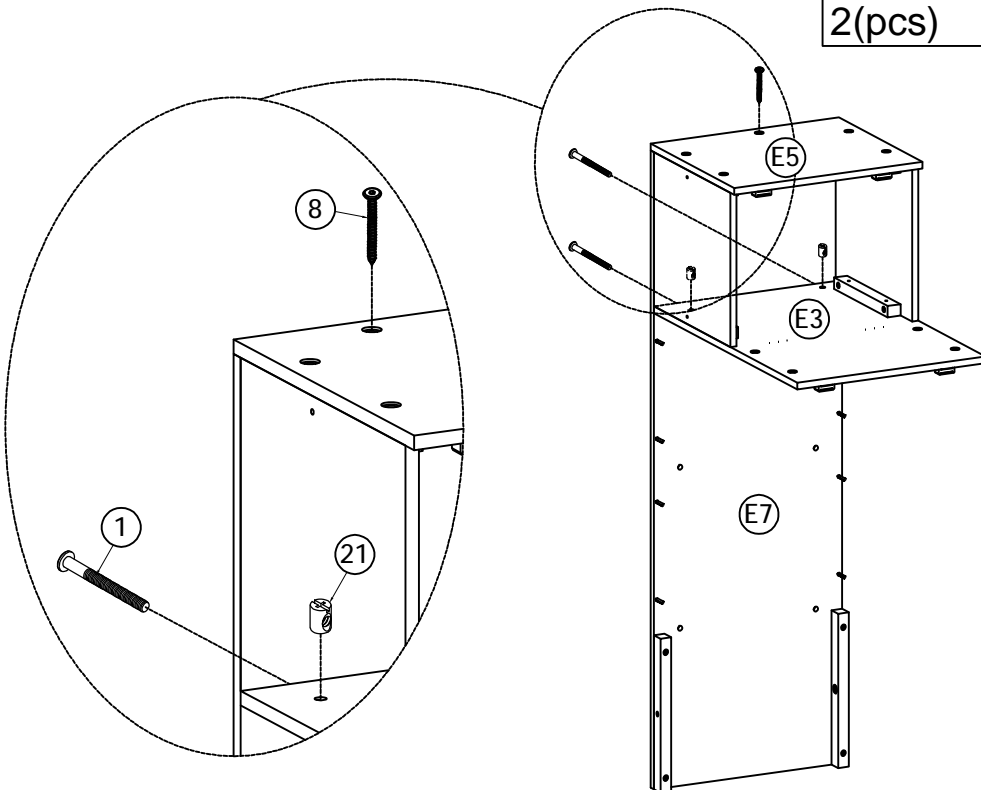
8(pcs)


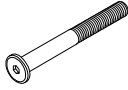

STEP17: Following below illustration.



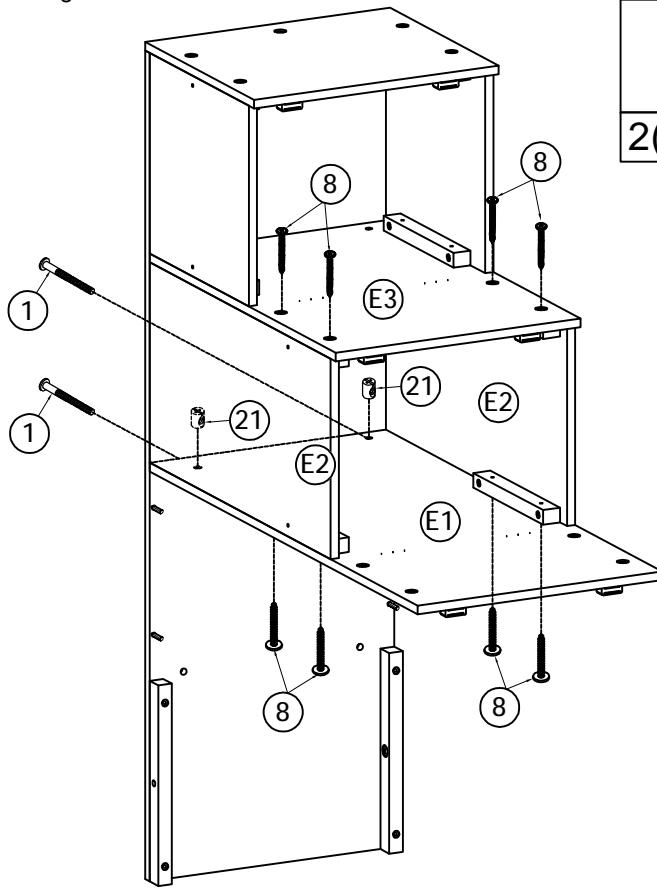
9	5
	
4(pcs)	8(pcs)

STEP18: Following below illustration.



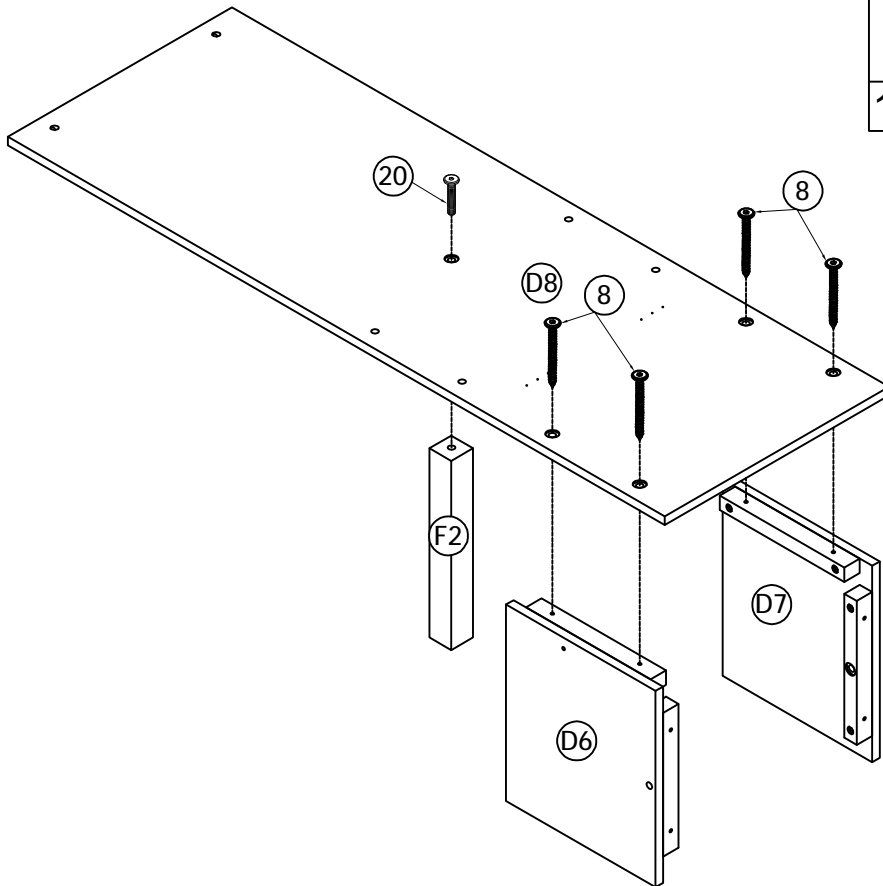
21	1	8
		
2(pcs)	2(pcs)	1(pc)

STEP19: Following below illustration.



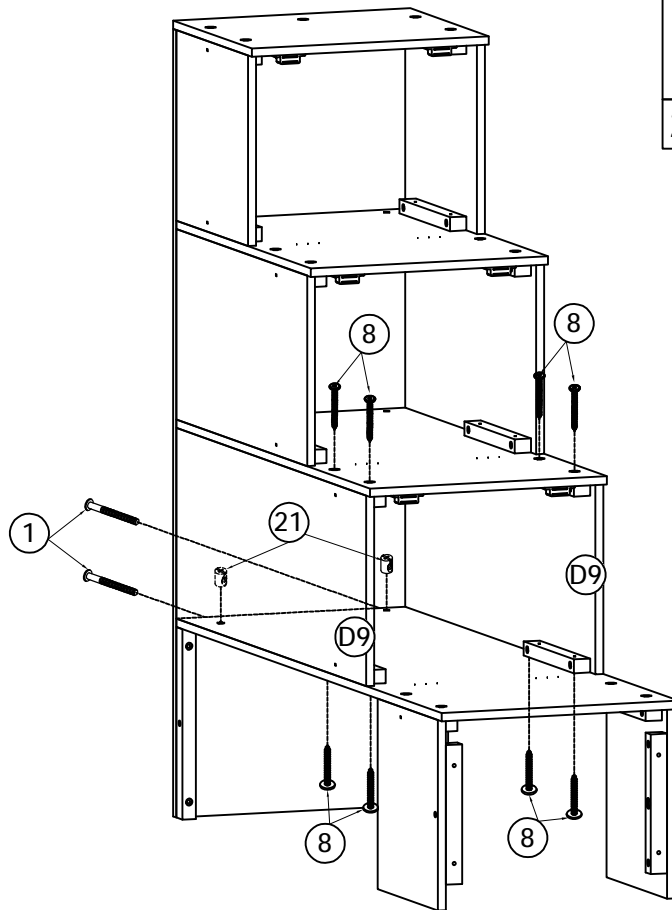
21	1	8
2(pcs)	2(pcs)	8(pcs)


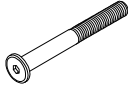

STEP20: Following below illustration.



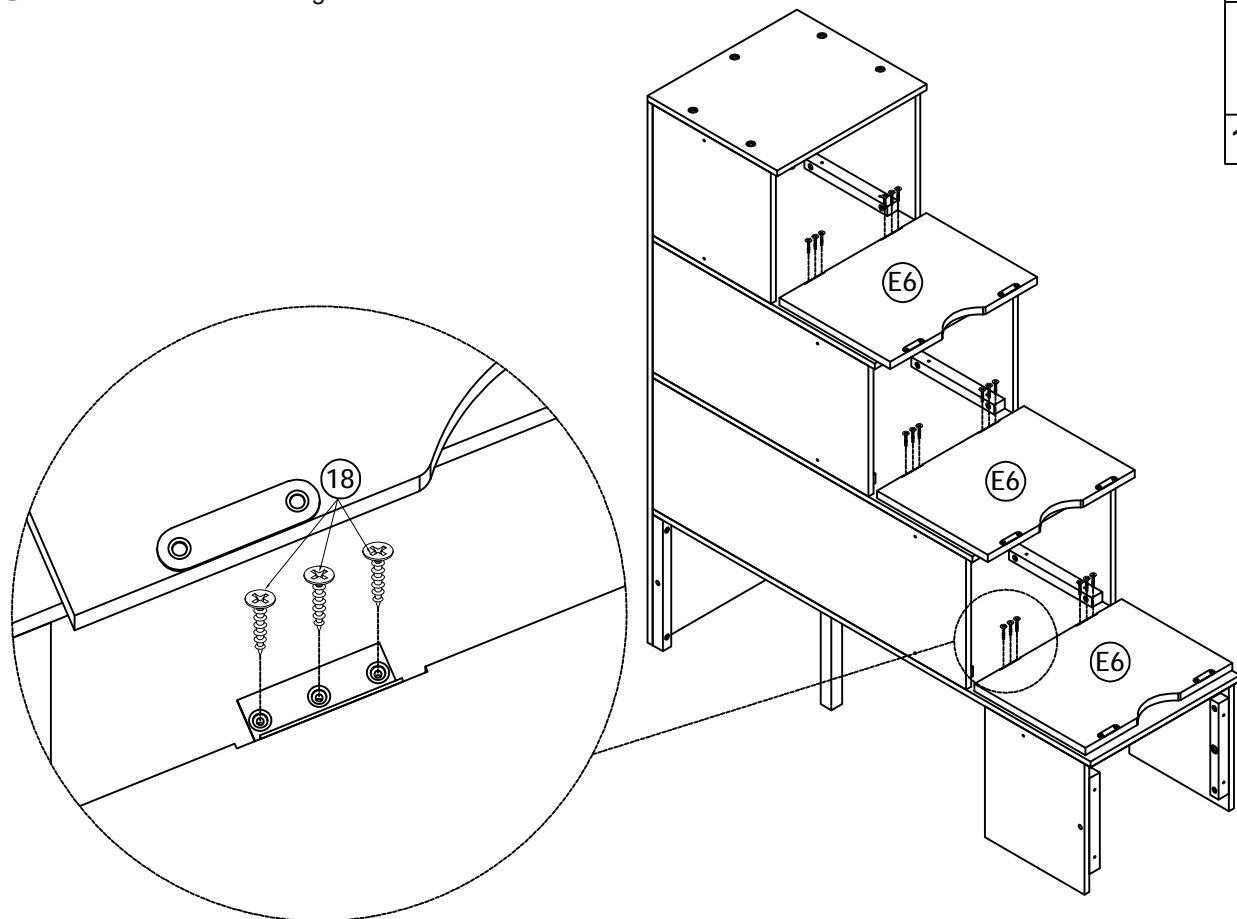
20	8
1(pc)	4(pcs)


STEP21: Following below illustration.





21		1		8	
2(pcs)		2(pcs)		8(pcs)	

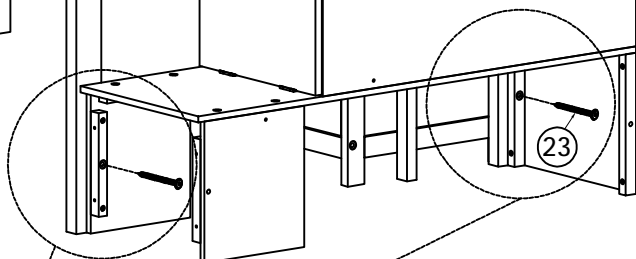
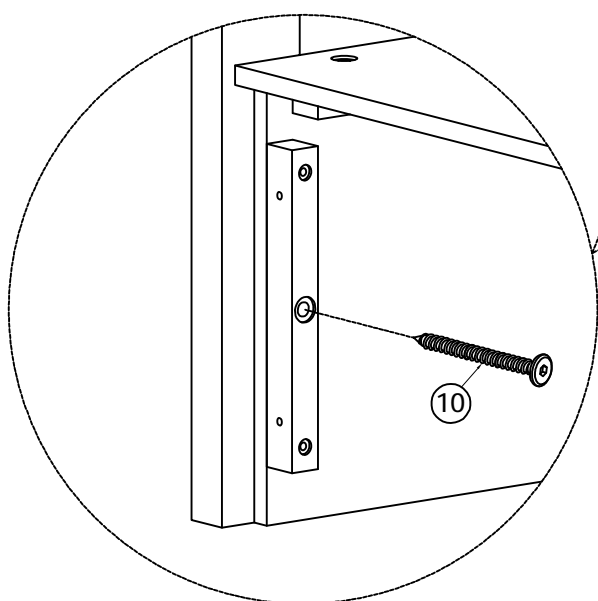
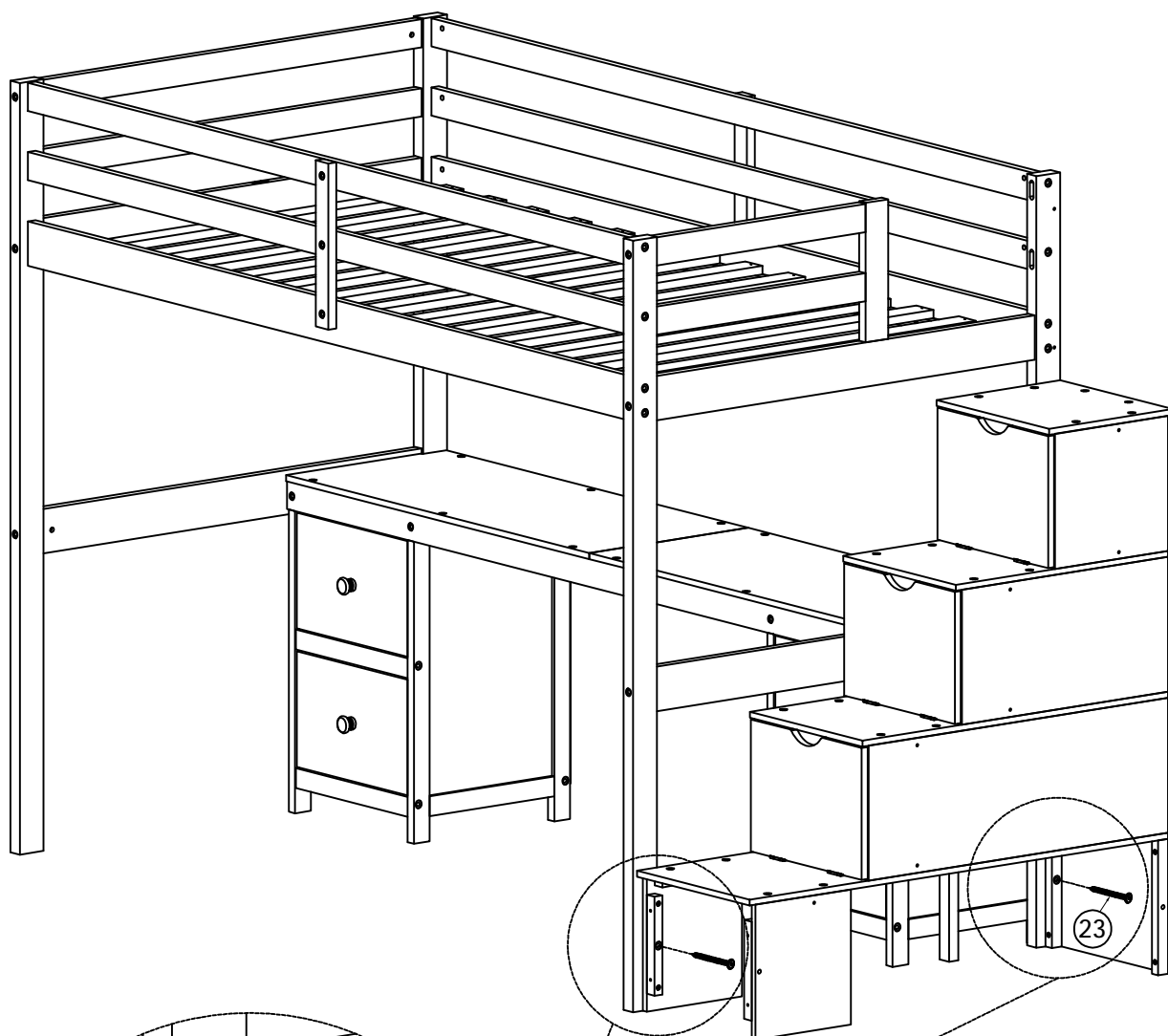
STEP22: Following below illustration.





18	
18(pcs)	

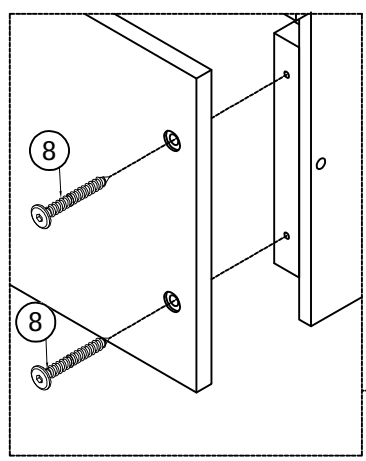
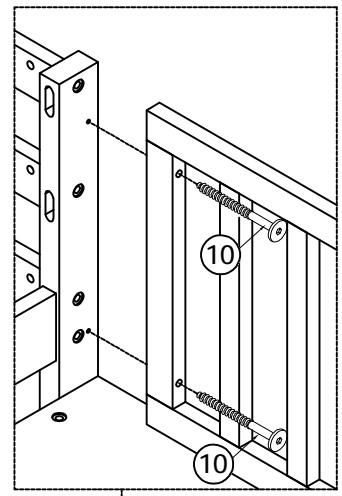
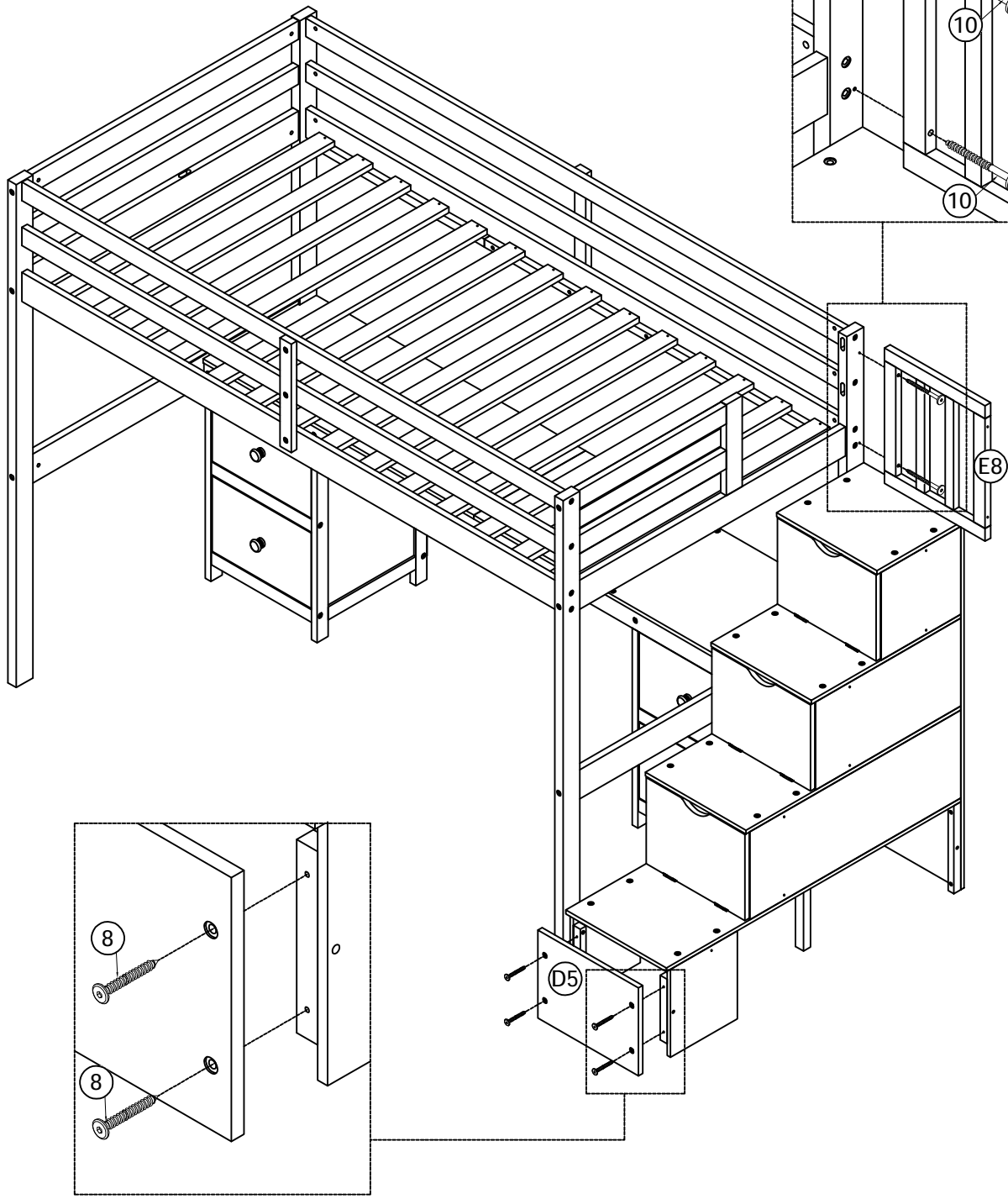
STEP23: Following below illustration.

23	10
	
1(pc)	1(pc)



STEP24: Following below illustration.

10	8
	
2(pcs)	4(pcs)

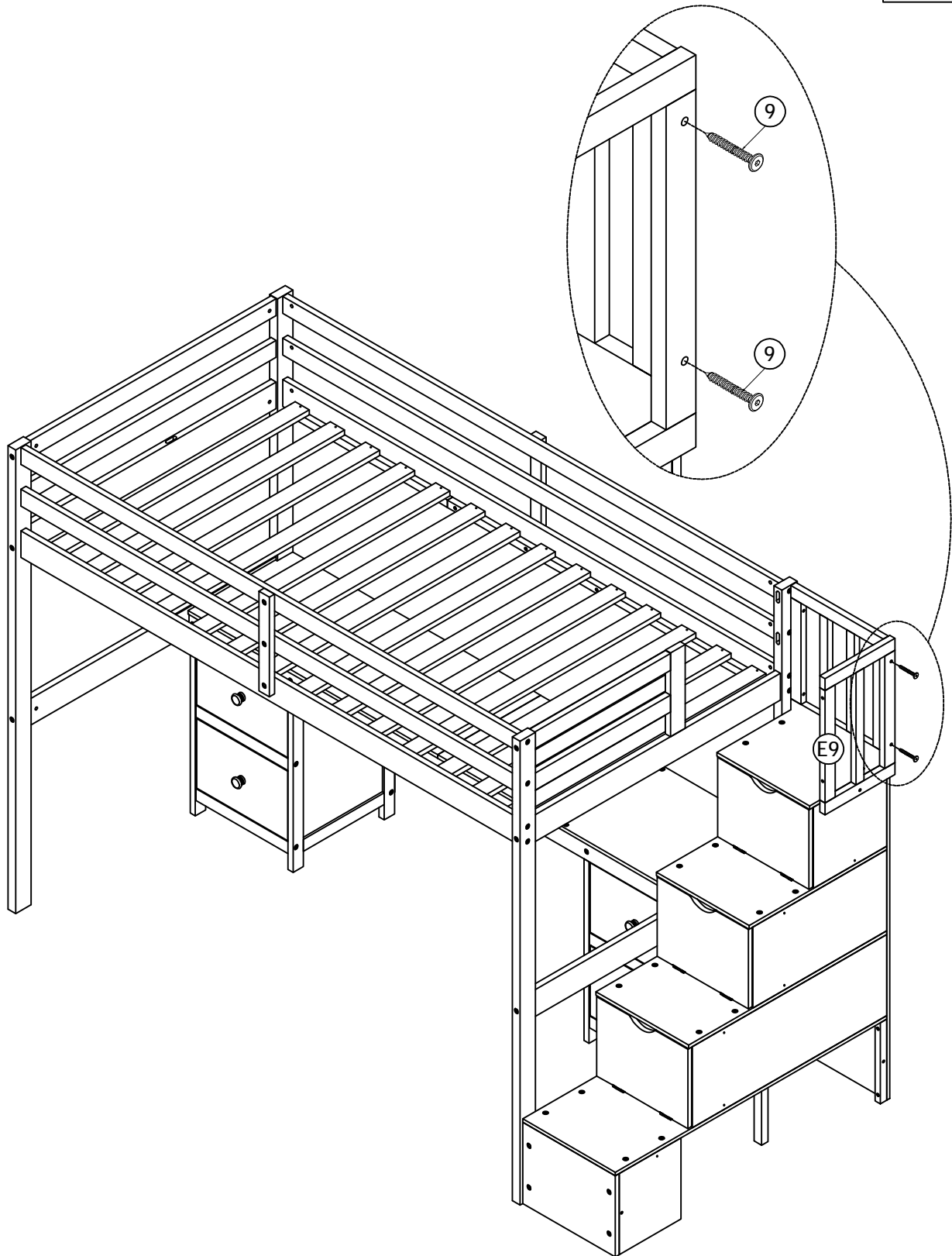


STEP25: Following below illustration.



9

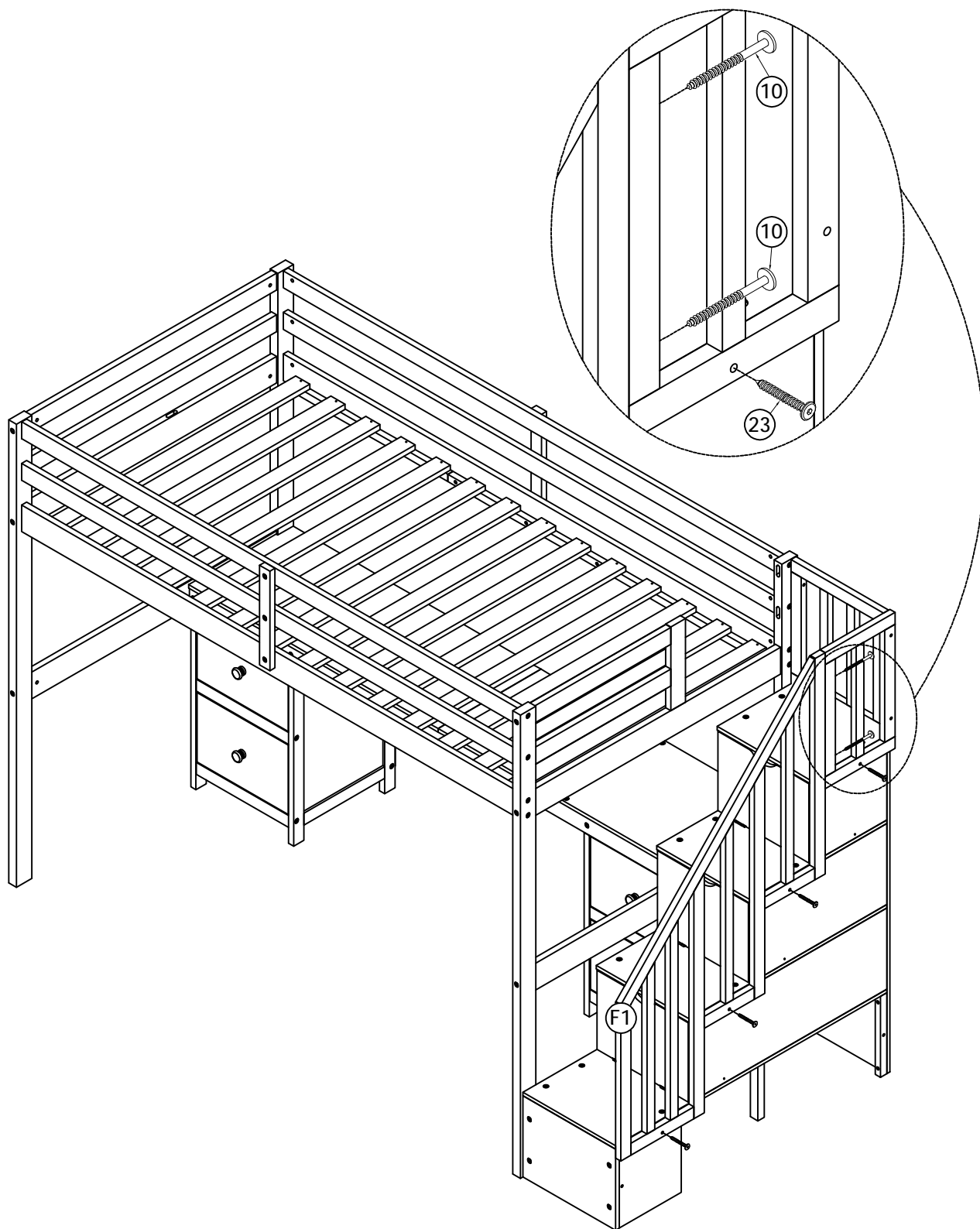


2(pcs)

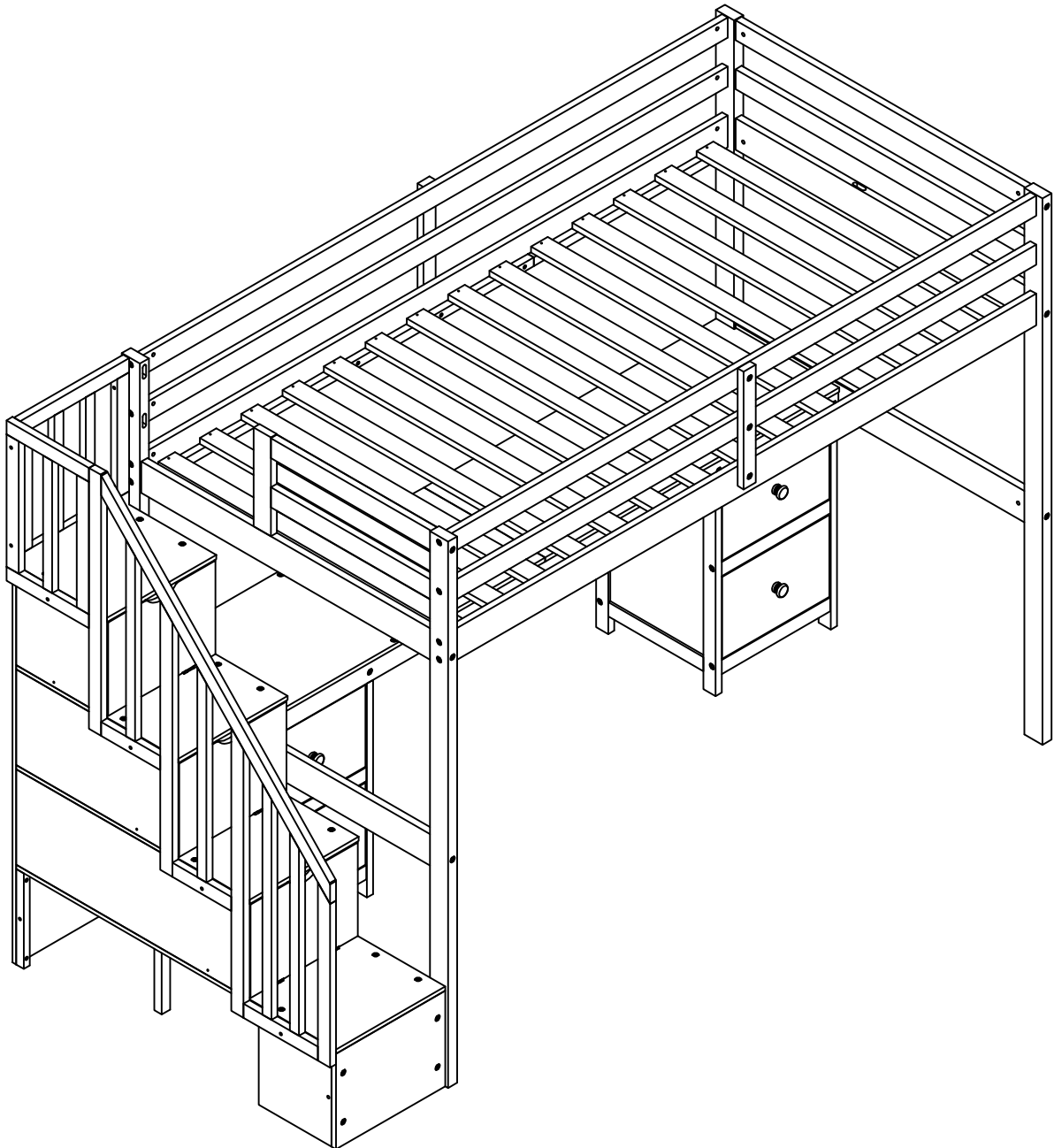


STEP26: Following below illustration.

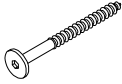


10 	23 
2(pcs)	4(pcs)

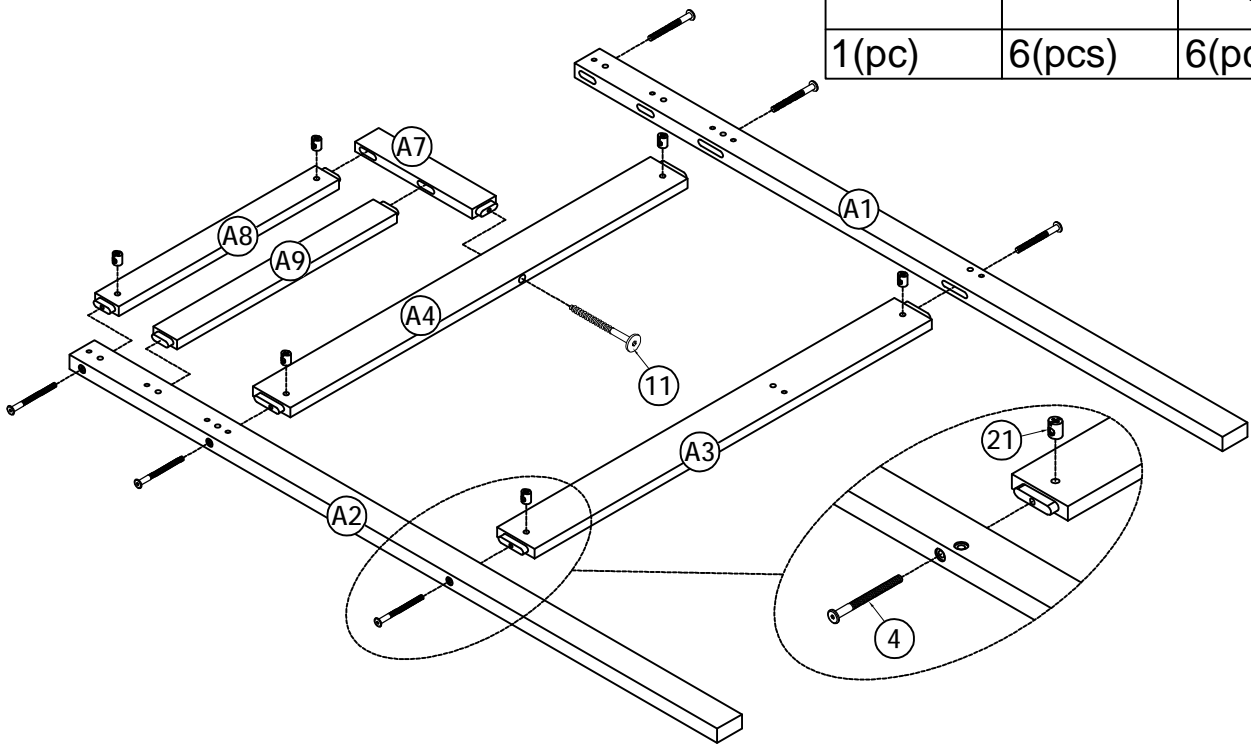


OPTION 2: STAIR IN LEFT

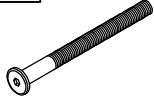



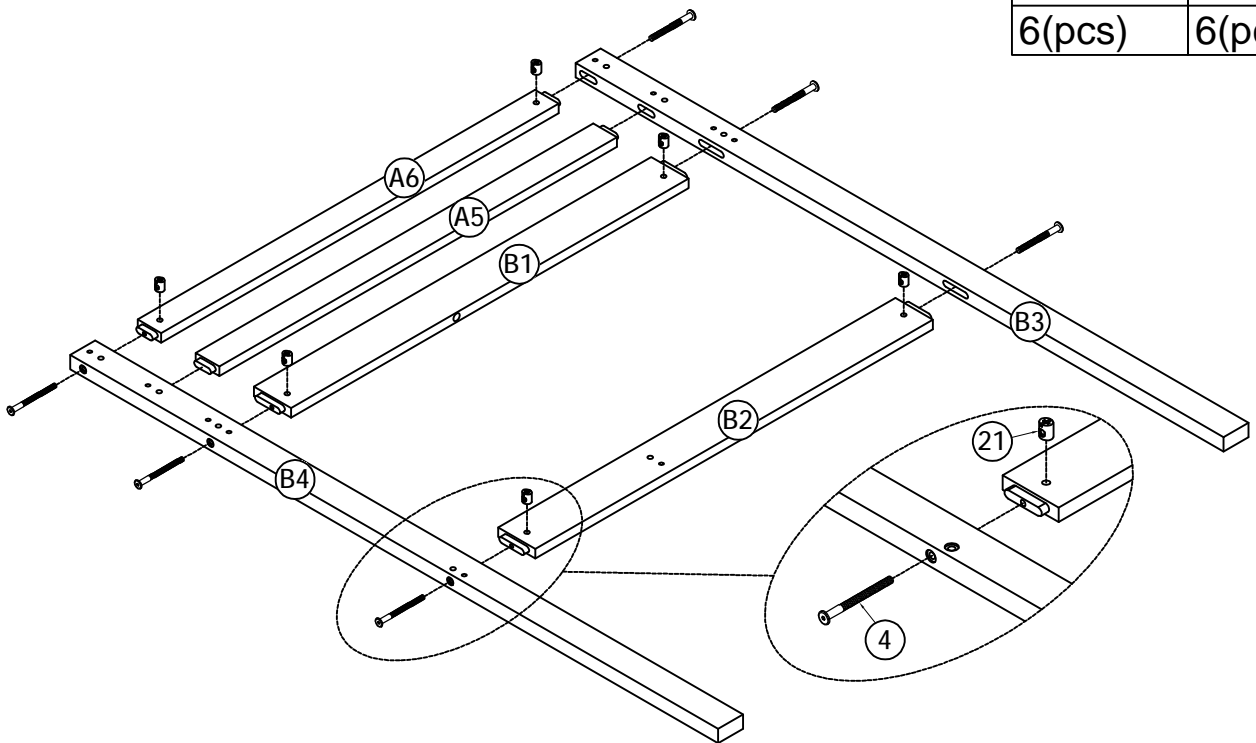
STEP1: Following below illustration.

11	4	21
		
1(pc)	6(pcs)	6(pcs)

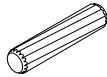
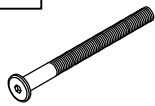



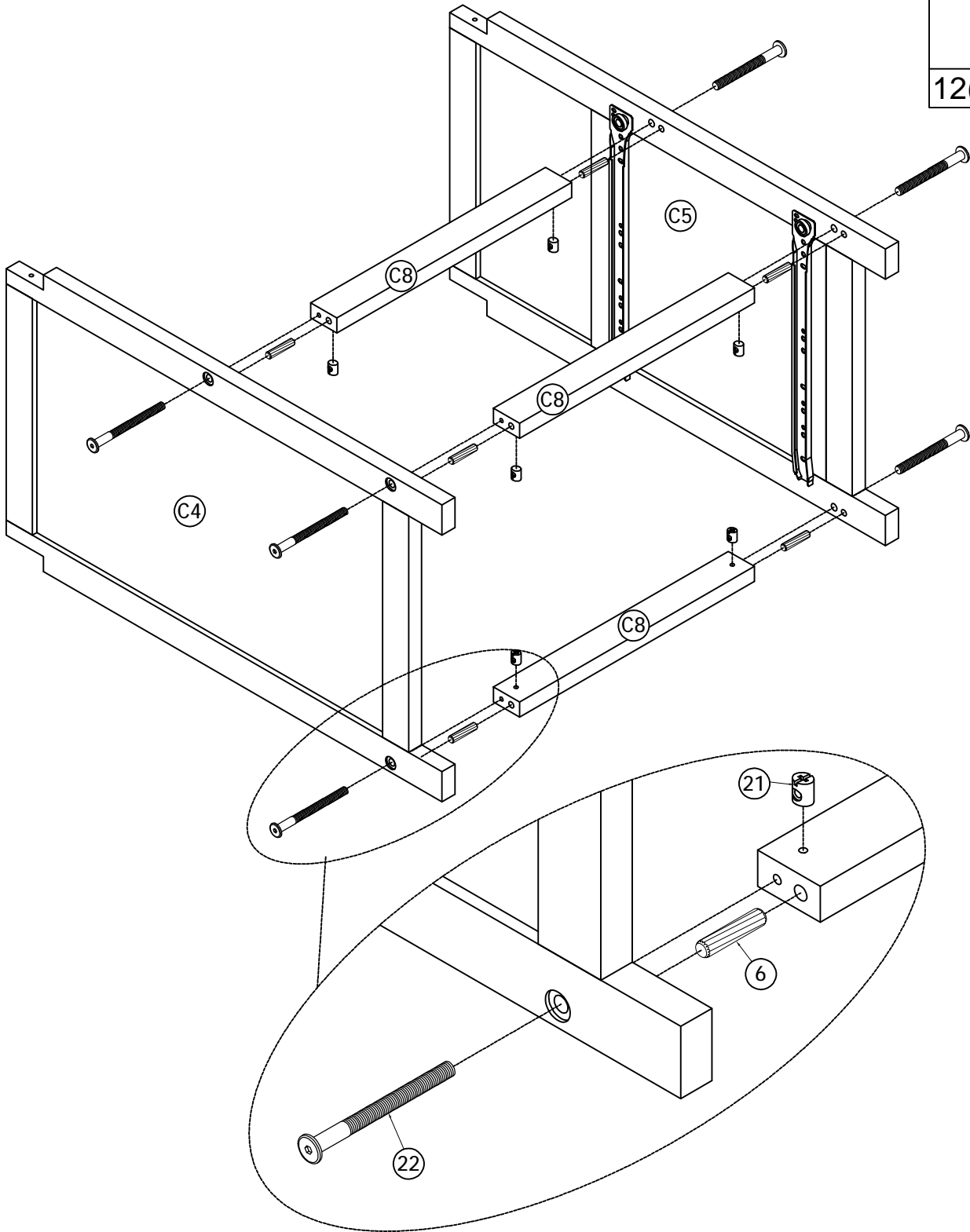
STEP2: Following below illustration.

4	21
	
6(pcs)	6(pcs)



STEP3 x 2: Following below illustration.

6	22
	
12(pcs)	12(pcs)
	21
	
	12(pcs)

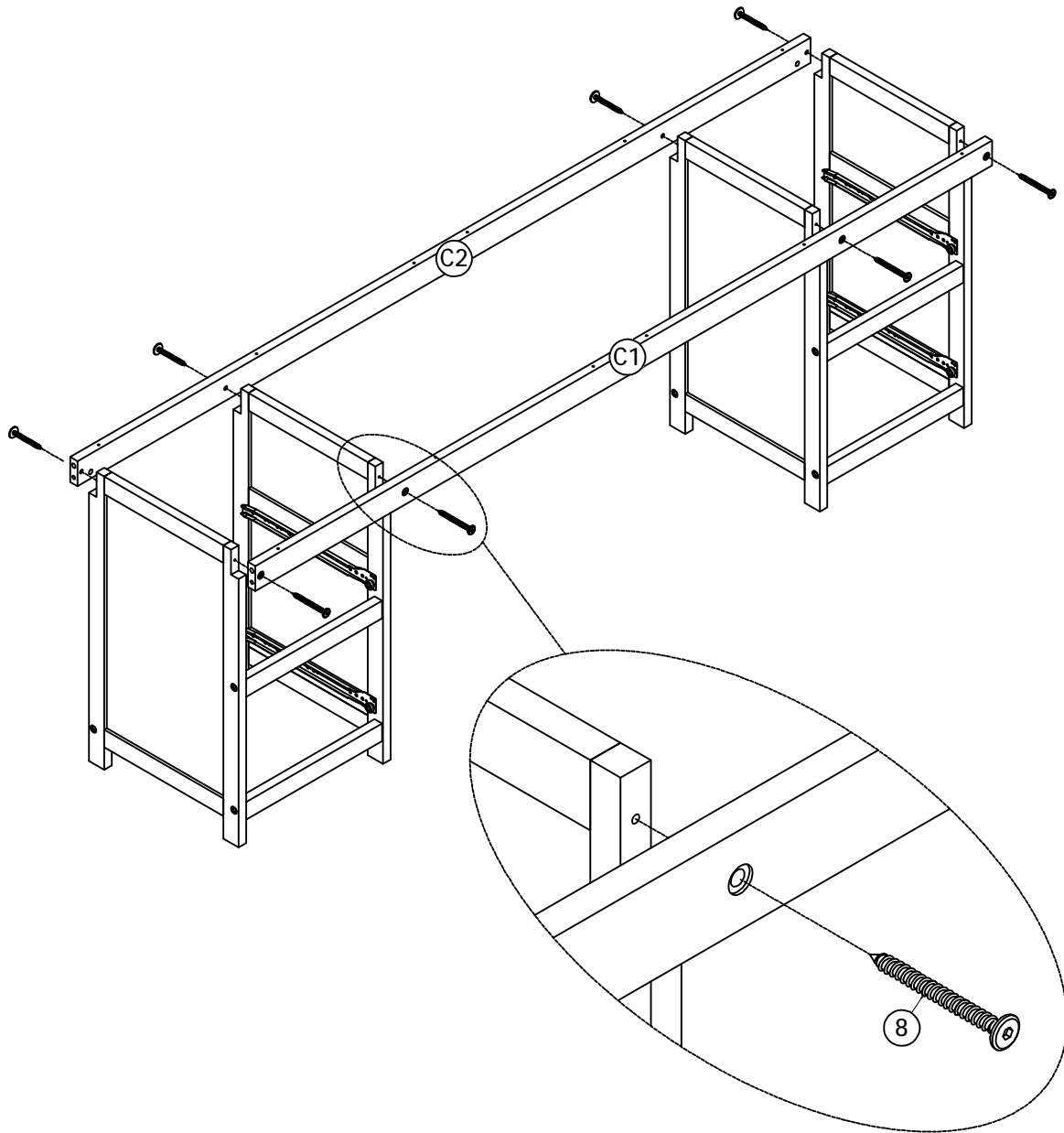


STEP4: Following below illustration.

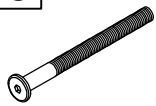

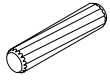
9

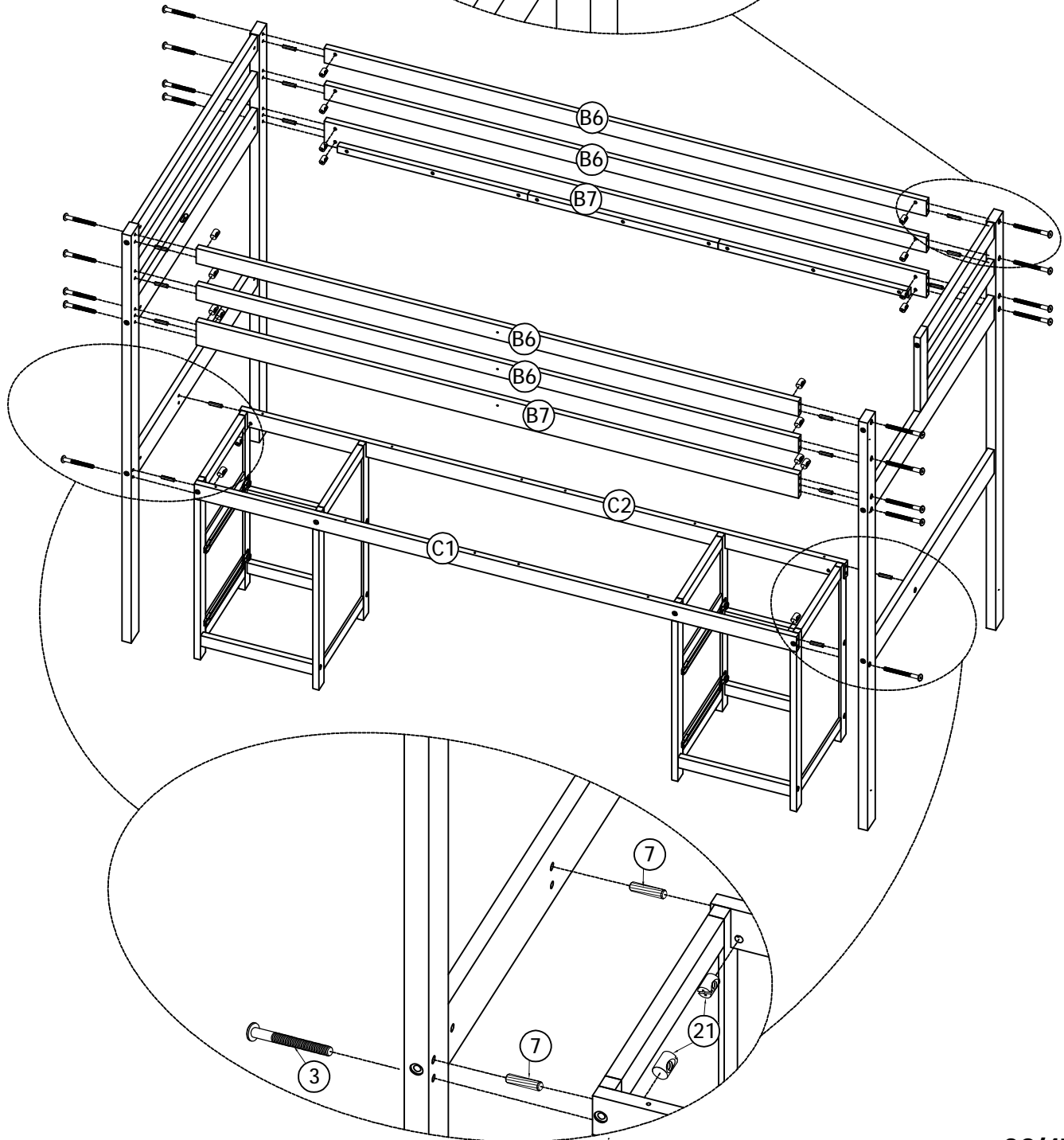
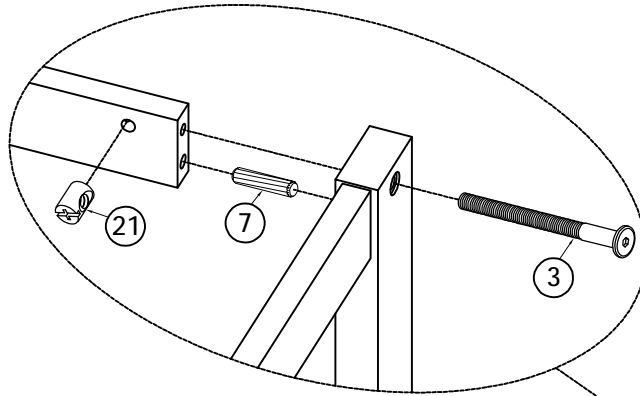


8(pcs)


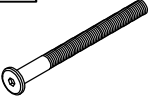


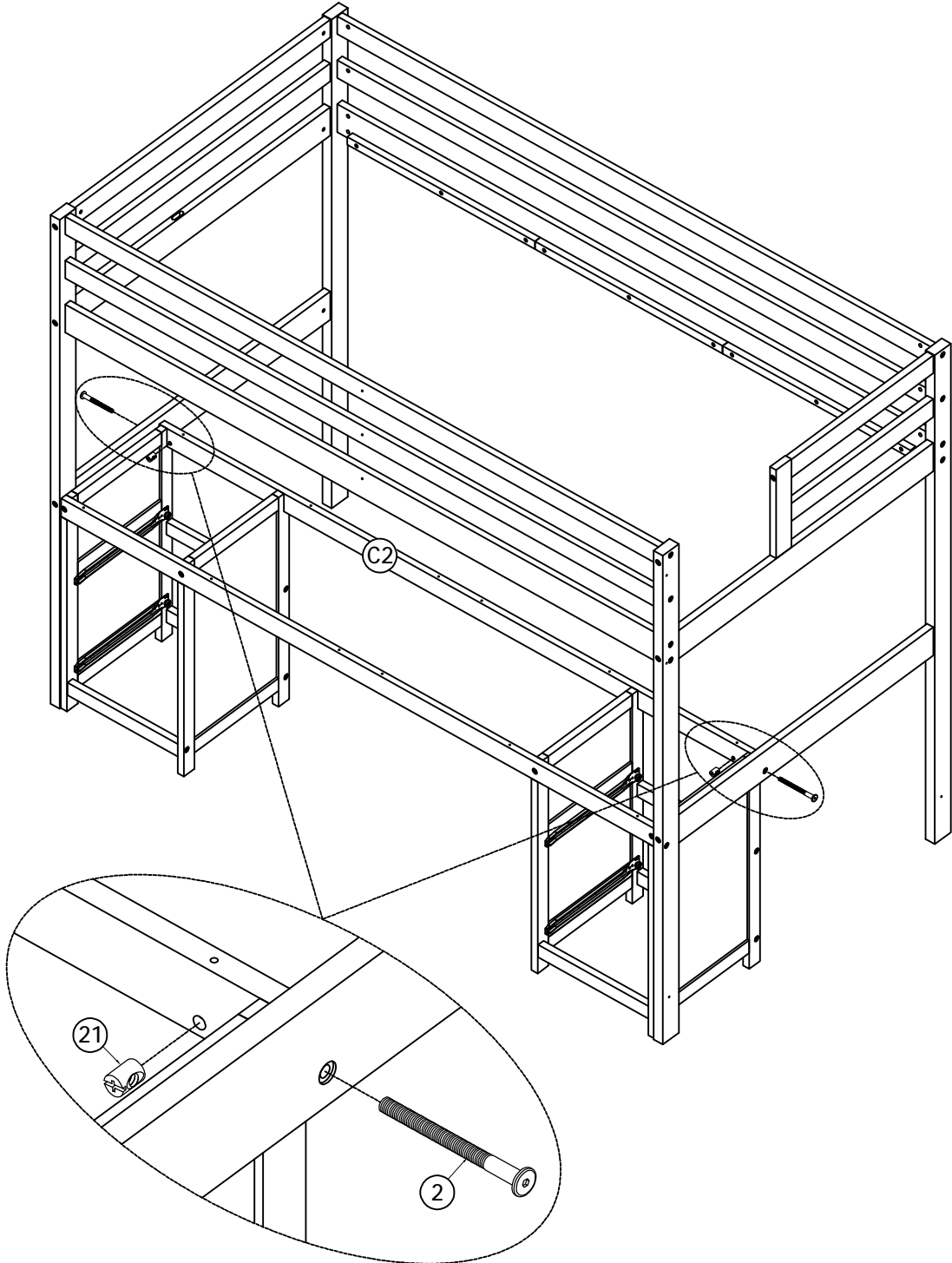
STEP5 : Following below illustration.

3		21	
18(pcs)		18(pcs)	
		7	
		16(pcs)	



STEP6: Following below illustration.

21		2	
2(pcs)		2(pcs)	

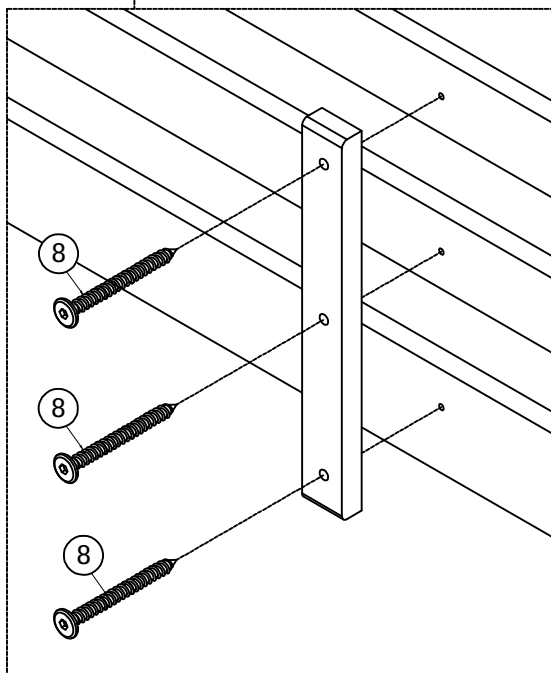
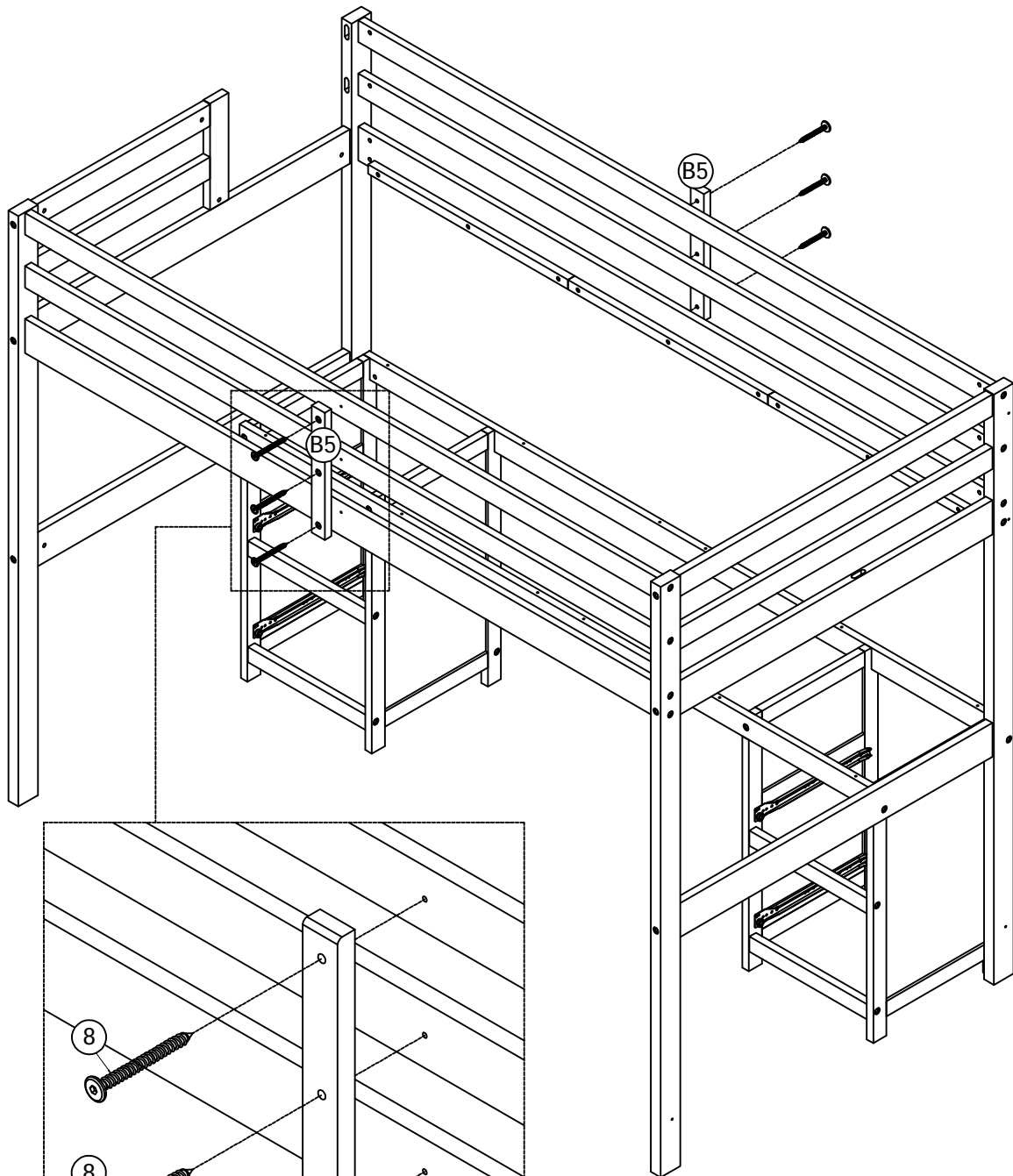


STEP 7: Following below illustration.

8





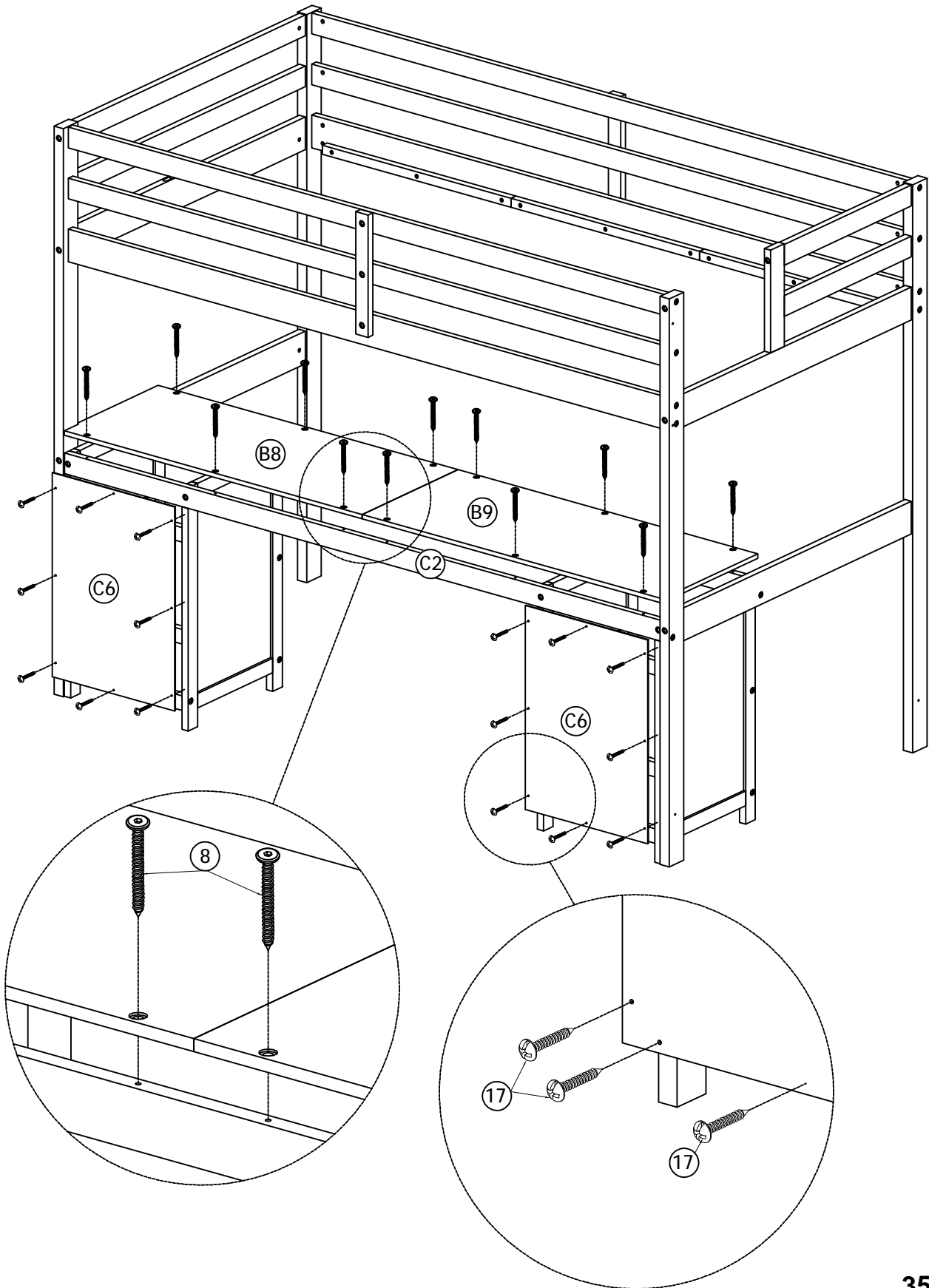
6(pcs)



STEP8

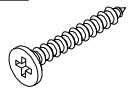
Following below illustration.

17	8
	
16(pcs)	12(pcs)

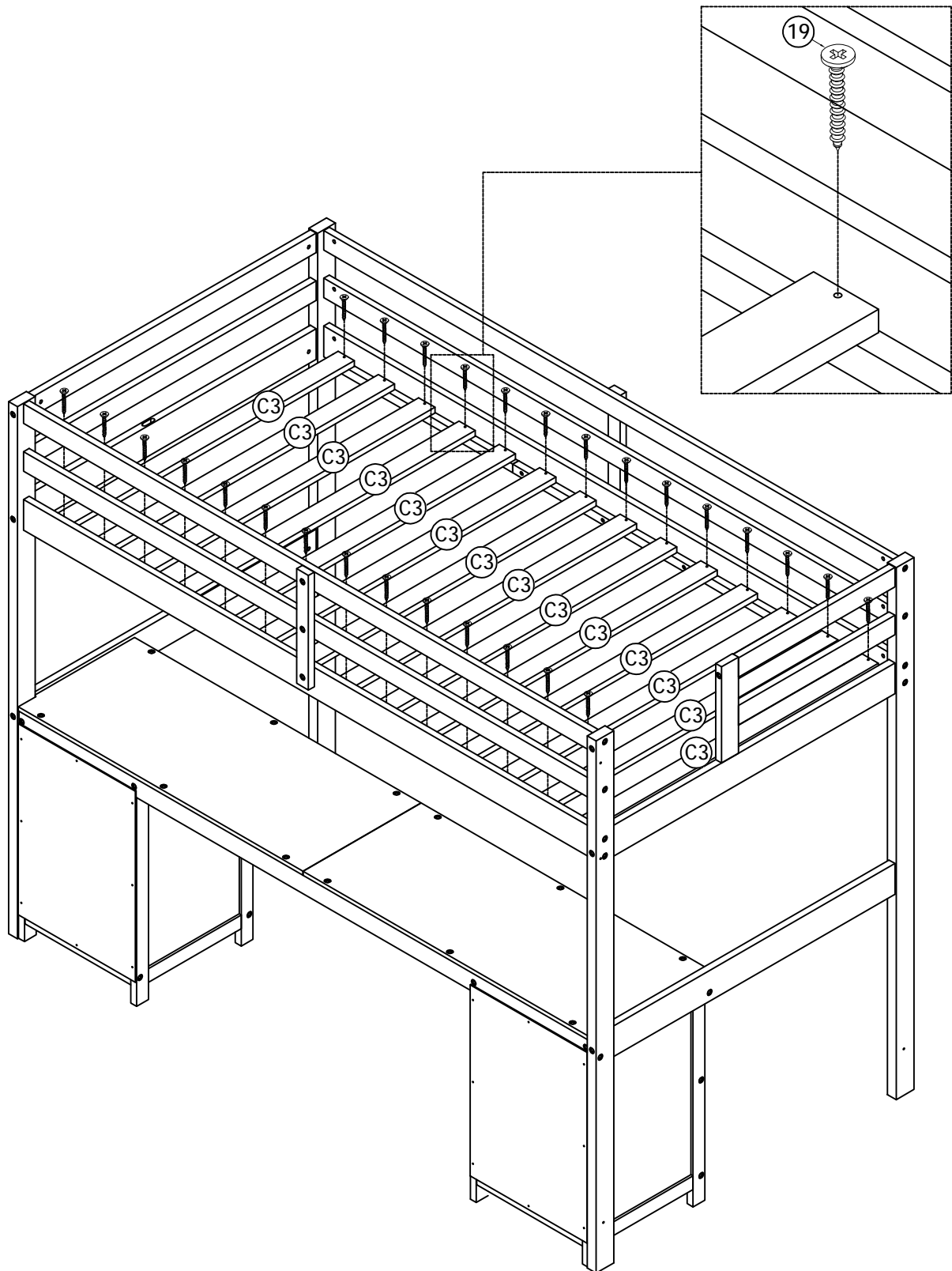


STEP9: Following below illustration.

19

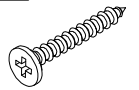


28(pcs)

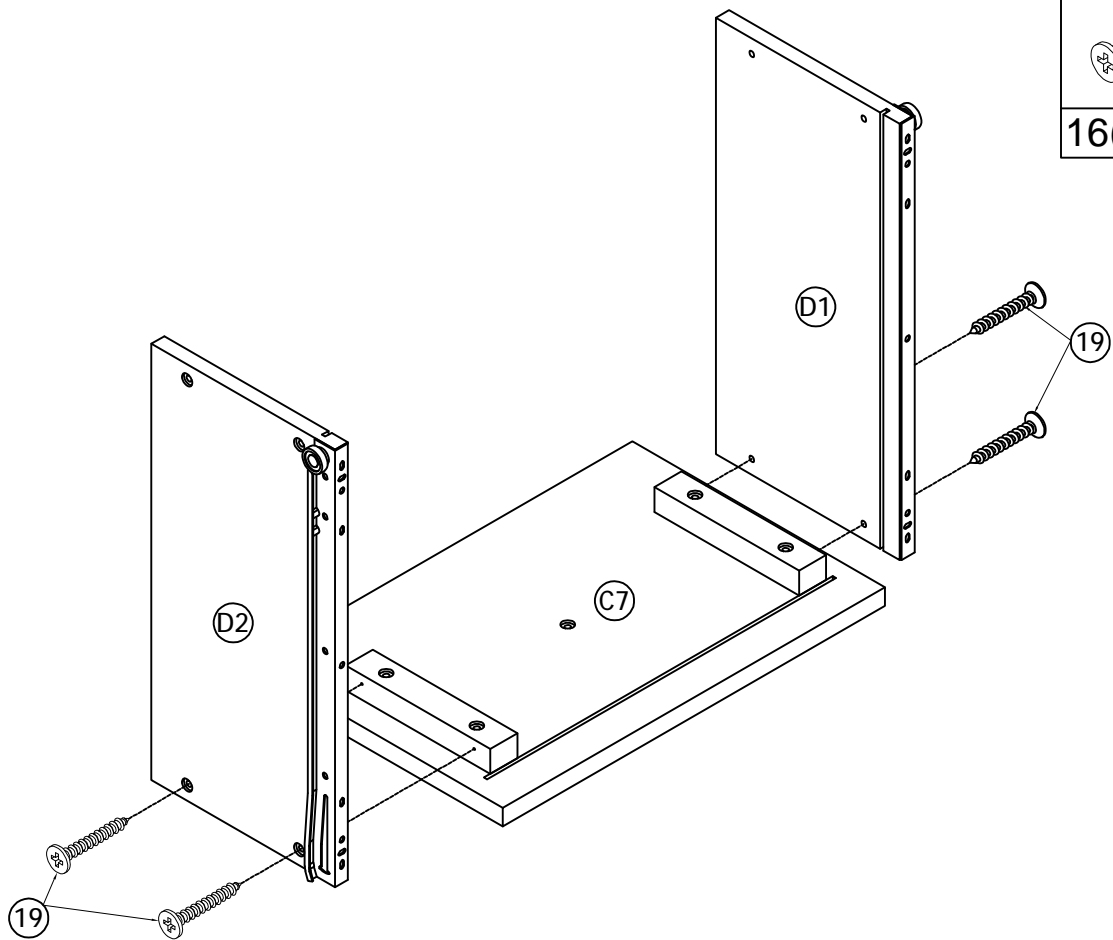


STEP10 x 4: Following below illustration.

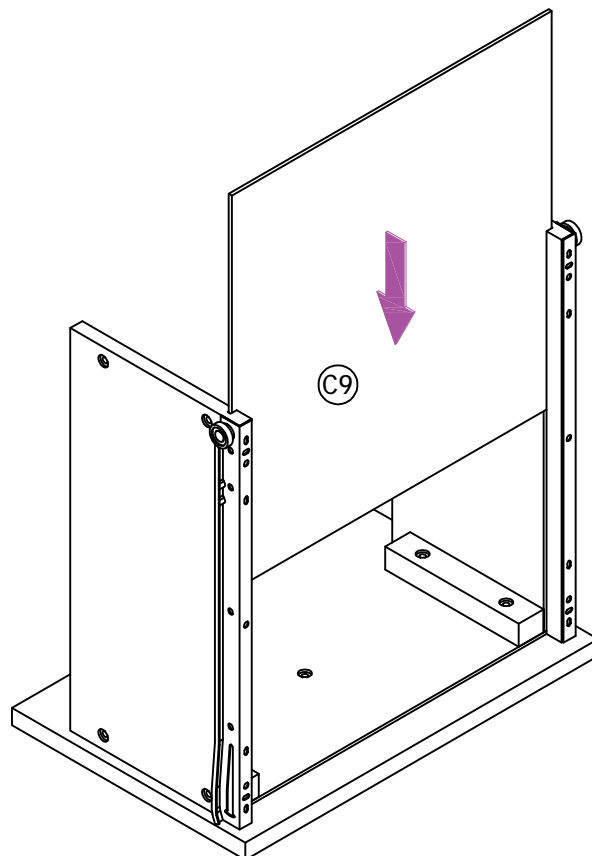
19



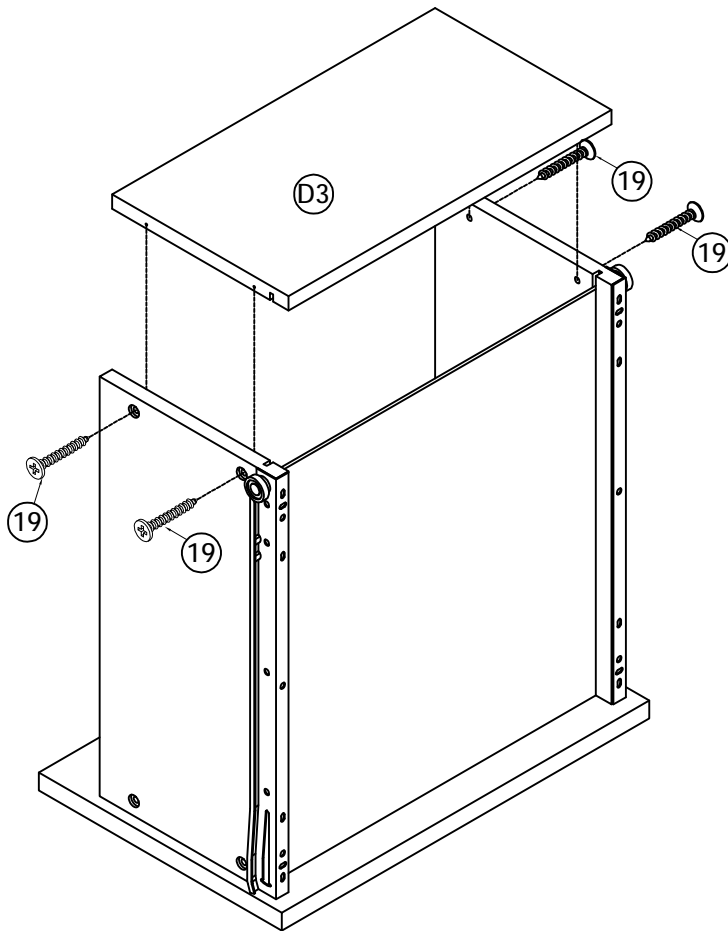
16(pcs)



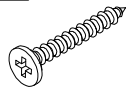
STEP11 x 4: Following below illustration.



STEP12 x 4: Following below illustration.

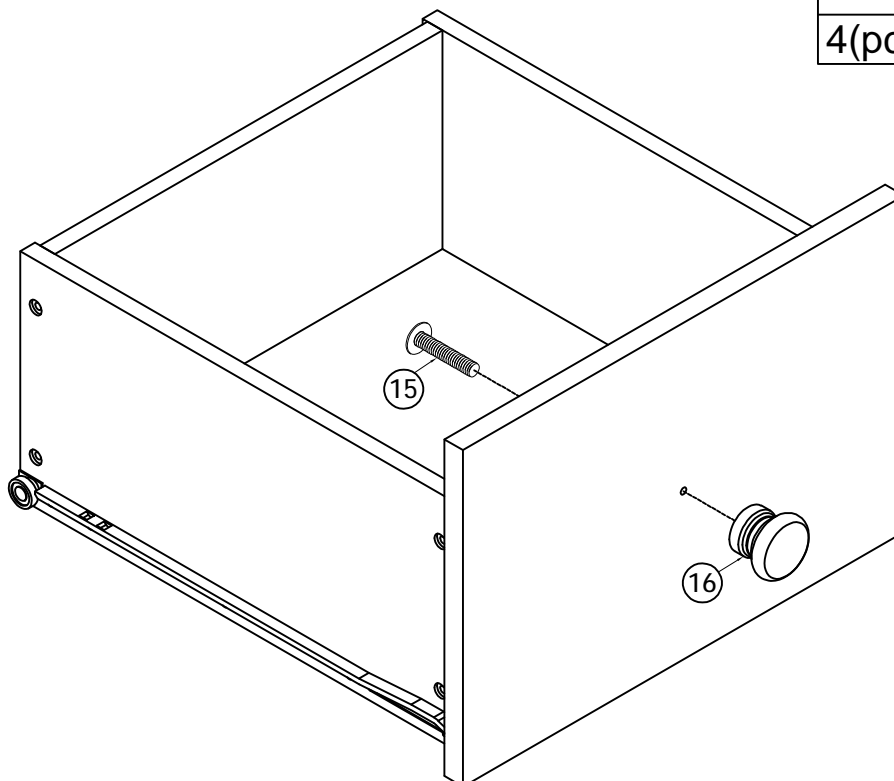


19

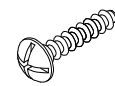


20(pcs)

STEP13 x 4: Following below illustration.



15



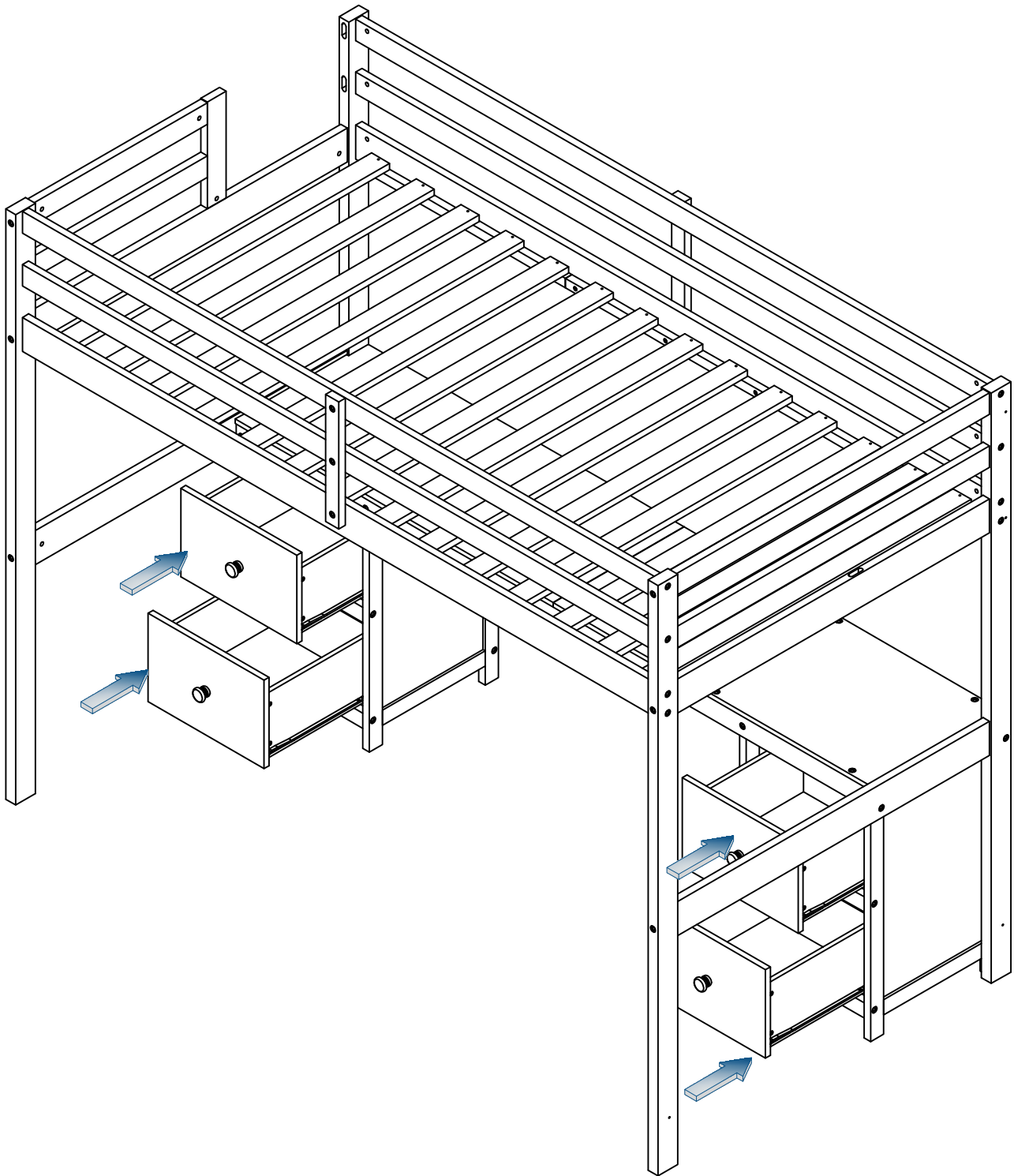
4(pcs)

16

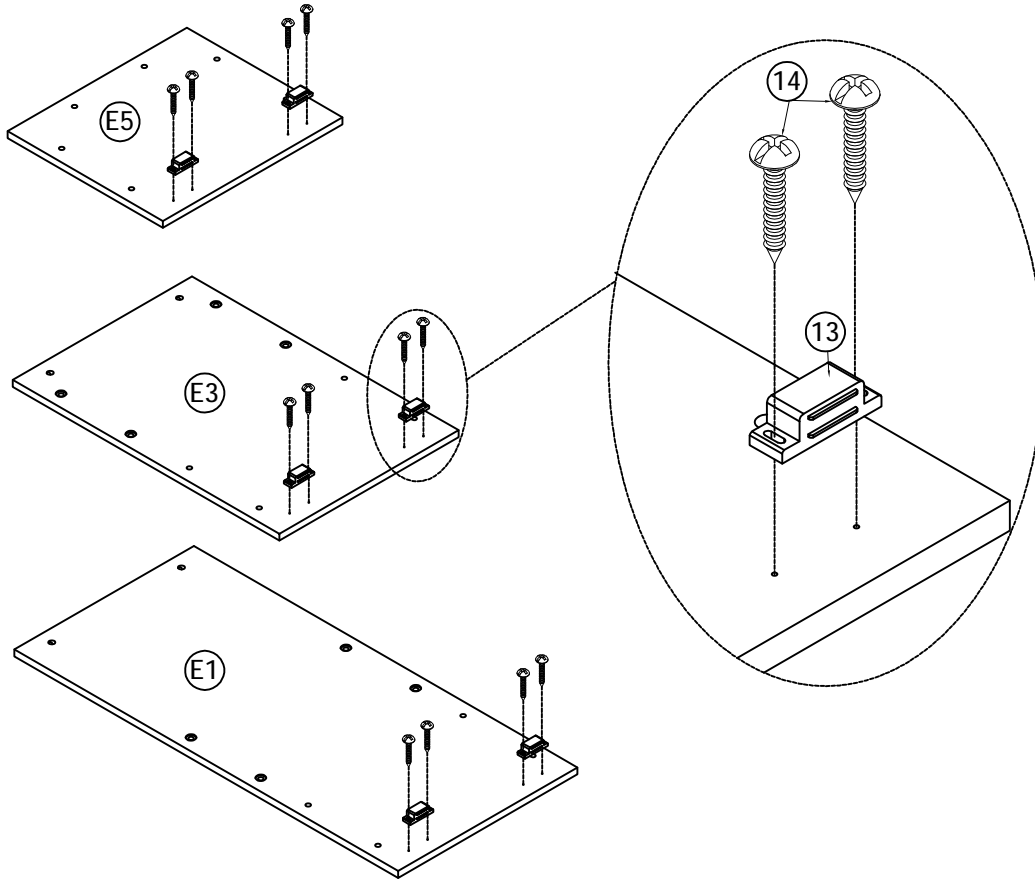


4(pcs)

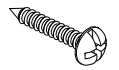
STEP14: Following below illustration.



STEP15: Following below illustration.

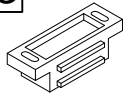


14



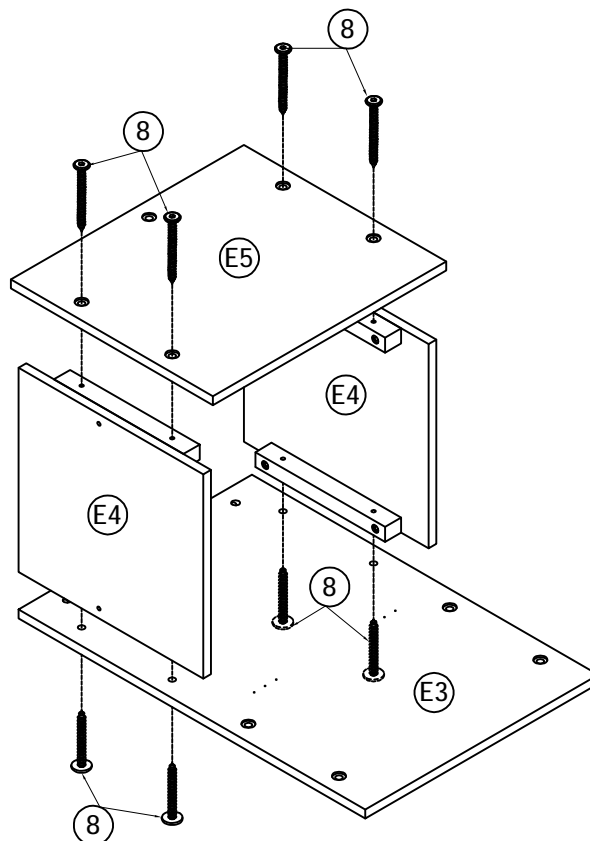
12(pcs)

13



6(pcs)

STEP16: Following below illustration.

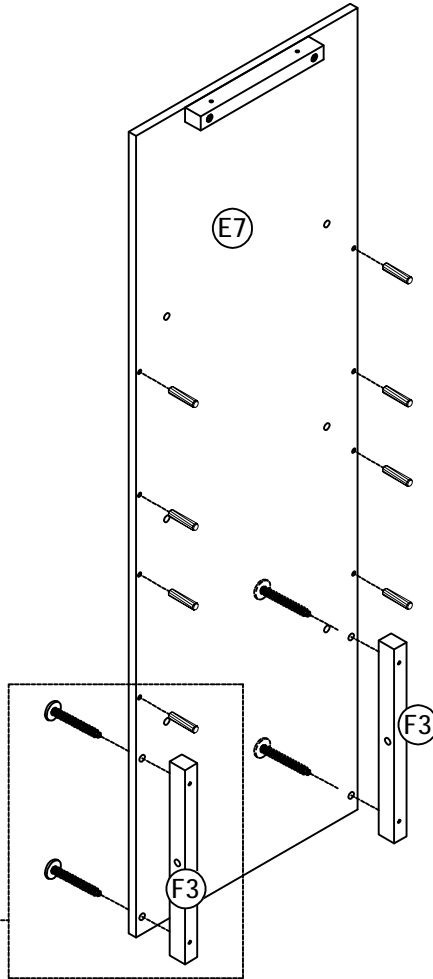
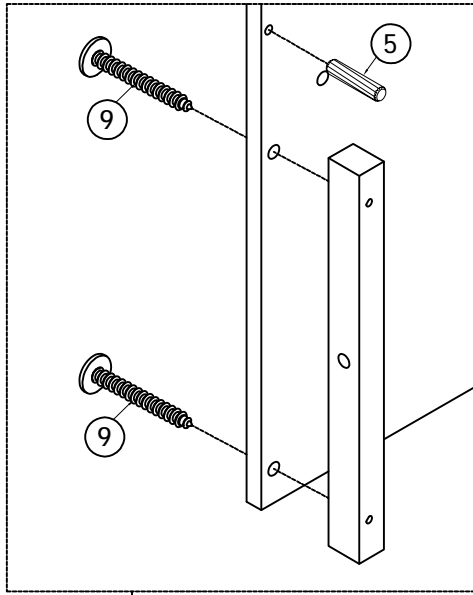



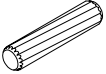
8



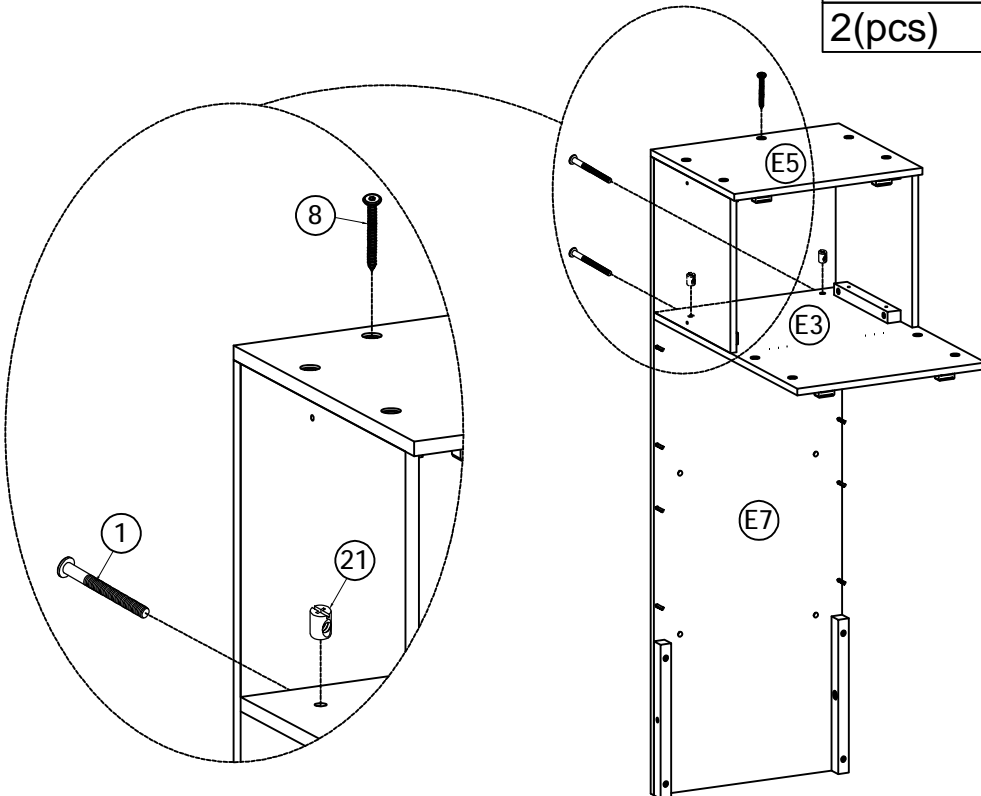
8(pcs)


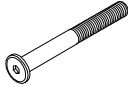

STEP17: Following below illustration.



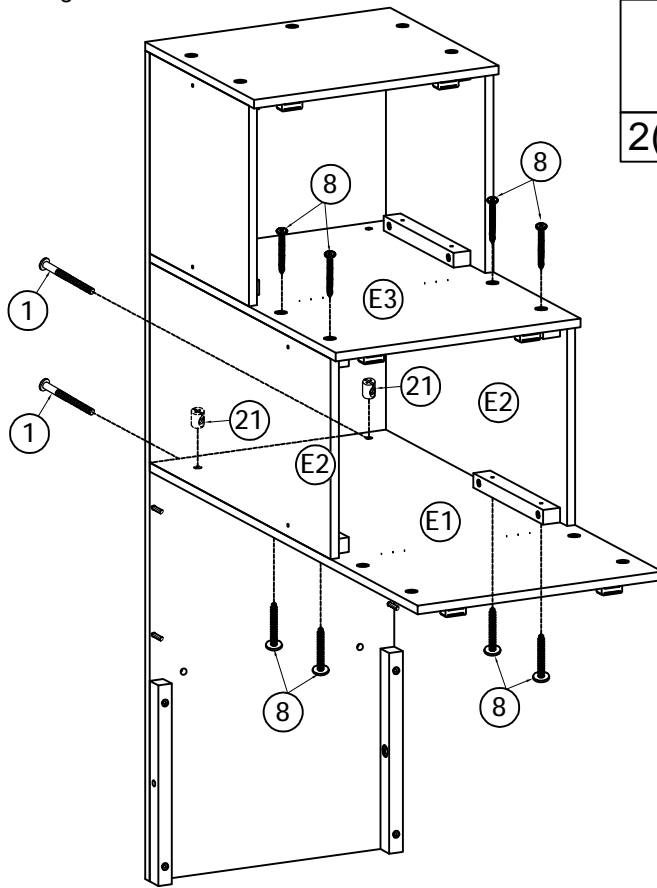
9	5
	
4(pcs)	8(pcs)

STEP18: Following below illustration.



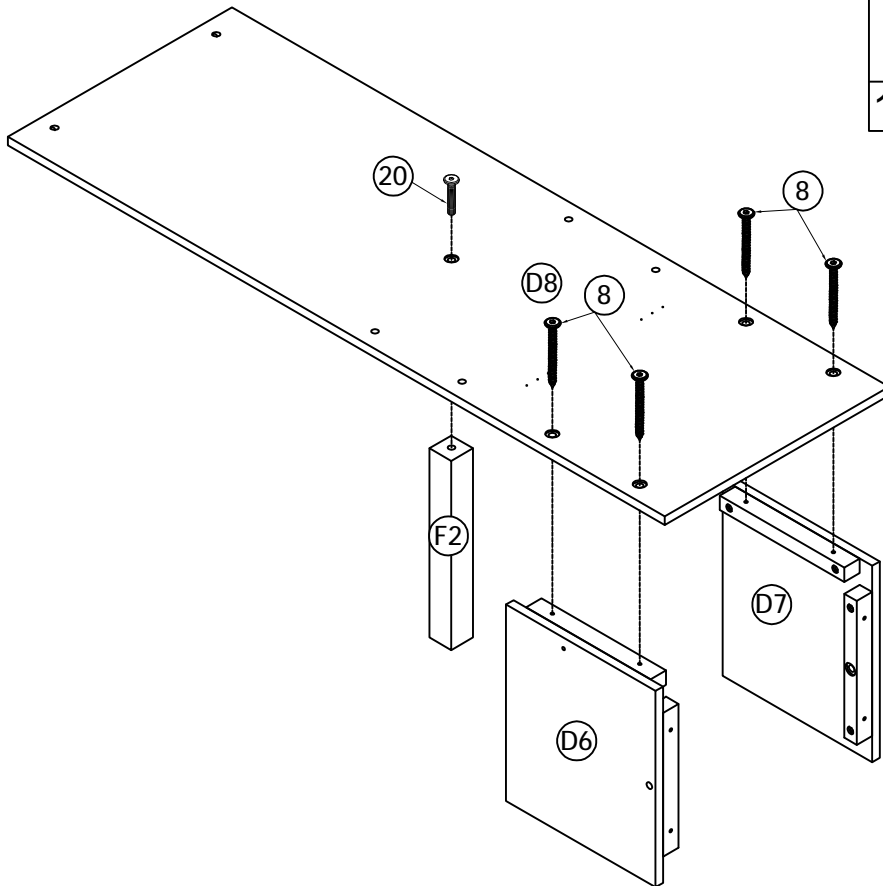
21	1	8
		
2(pcs)	2(pcs)	1(pc)

STEP19: Following below illustration.



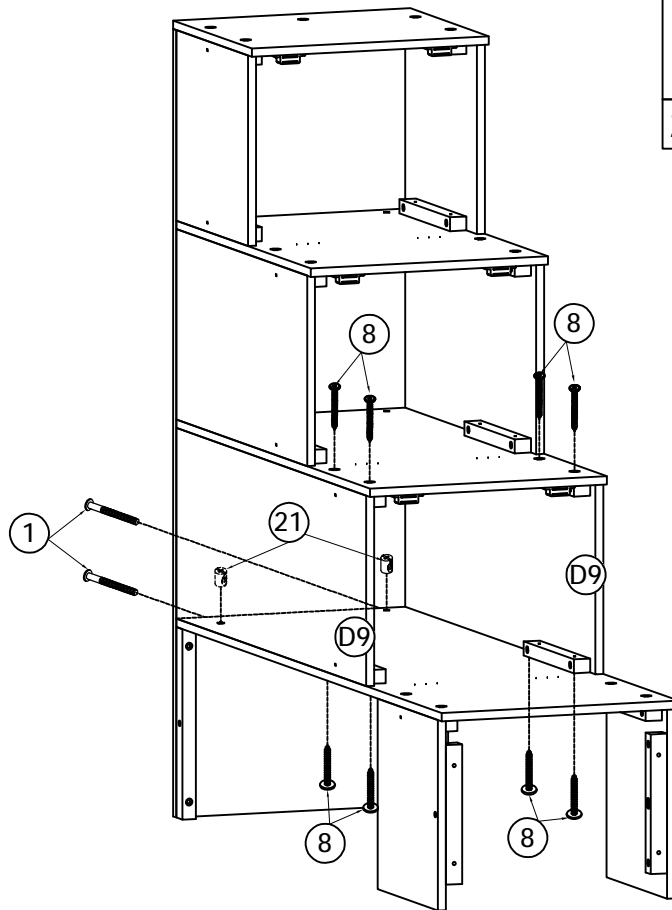
21	1	8
2(pcs)	2(pcs)	8(pcs)


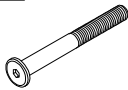

STEP20: Following below illustration.



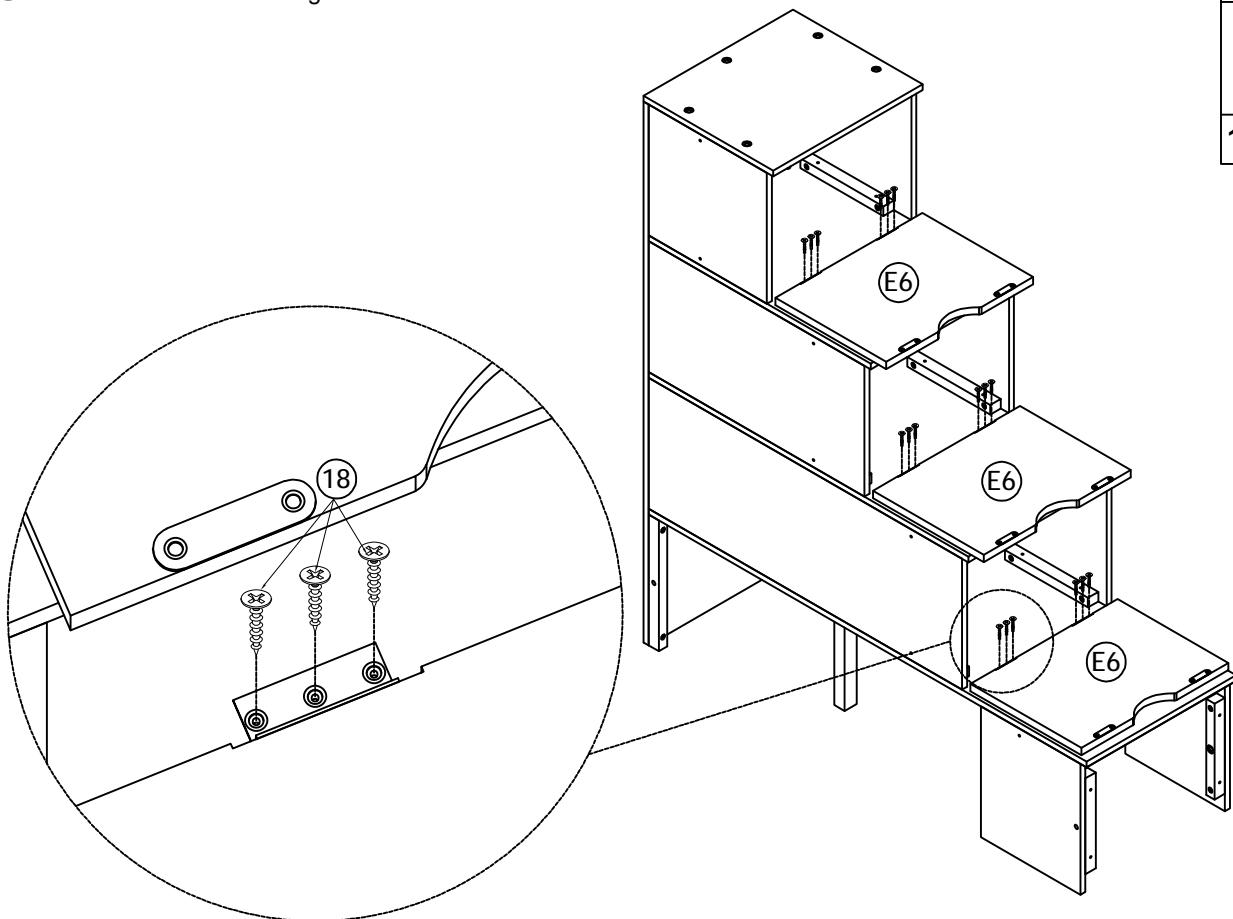
20	8
1(pc)	4(pcs)


STEP21: Following below illustration.





21		1		8	
	2(pcs)		2(pcs)		8(pcs)

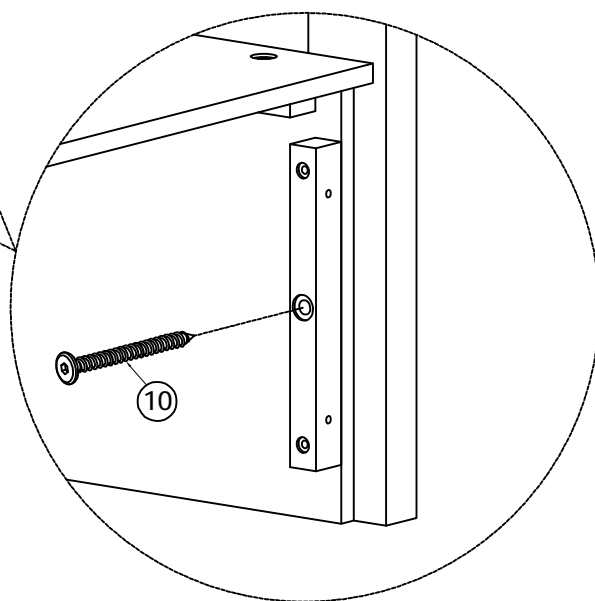
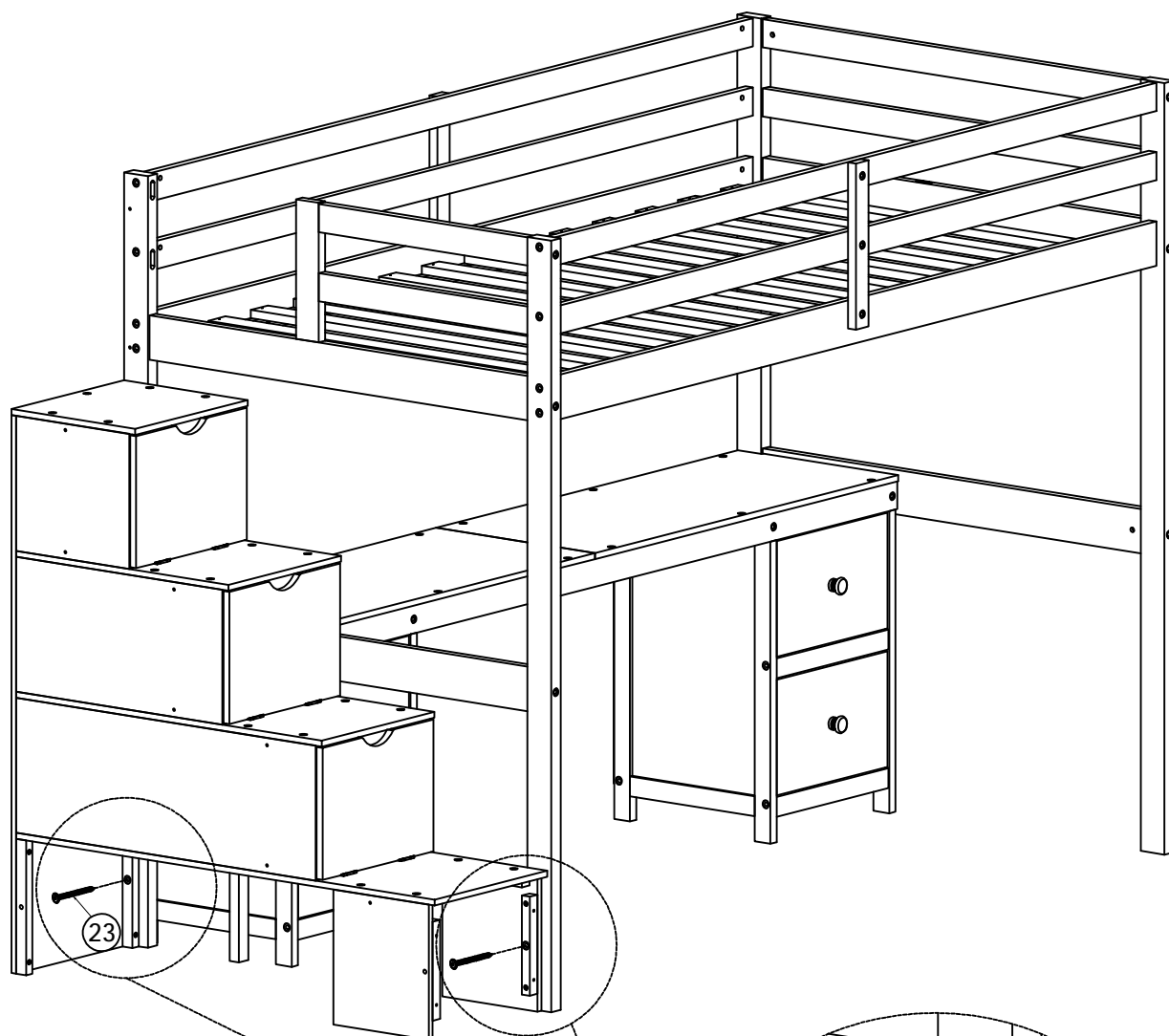
STEP22: Following below illustration.





18	
	18(pcs)

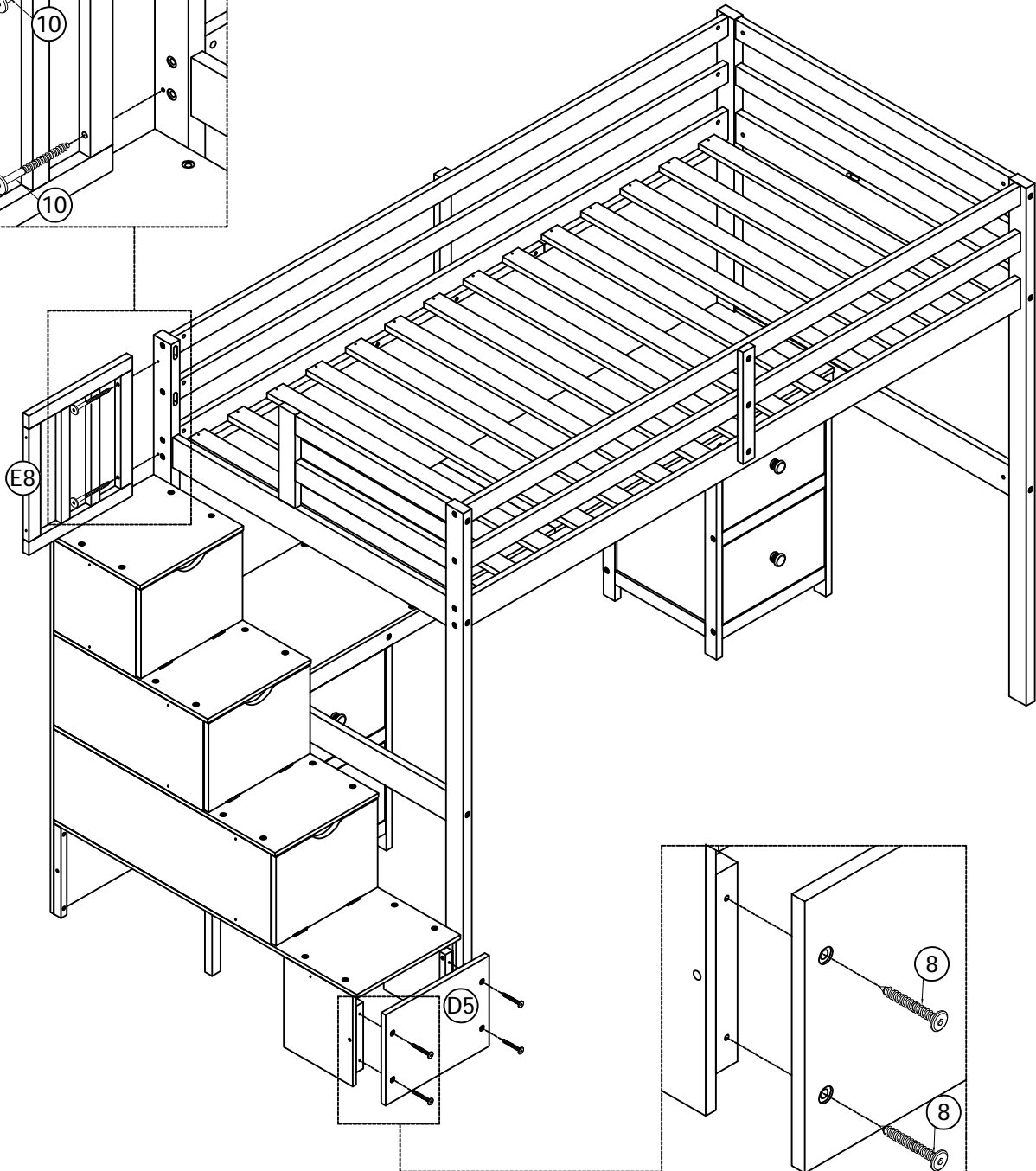
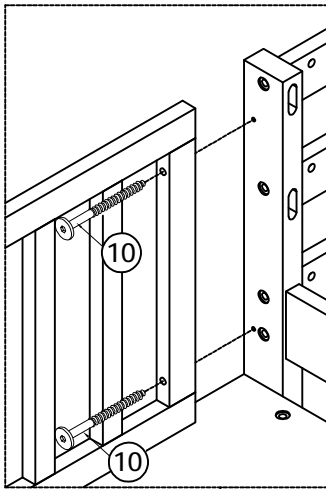
STEP23: Following below illustration.

23	10
	
1(pc)	1(pc)



STEP24: Following below illustration.

10	8
	
2(pcs)	4(pcs)

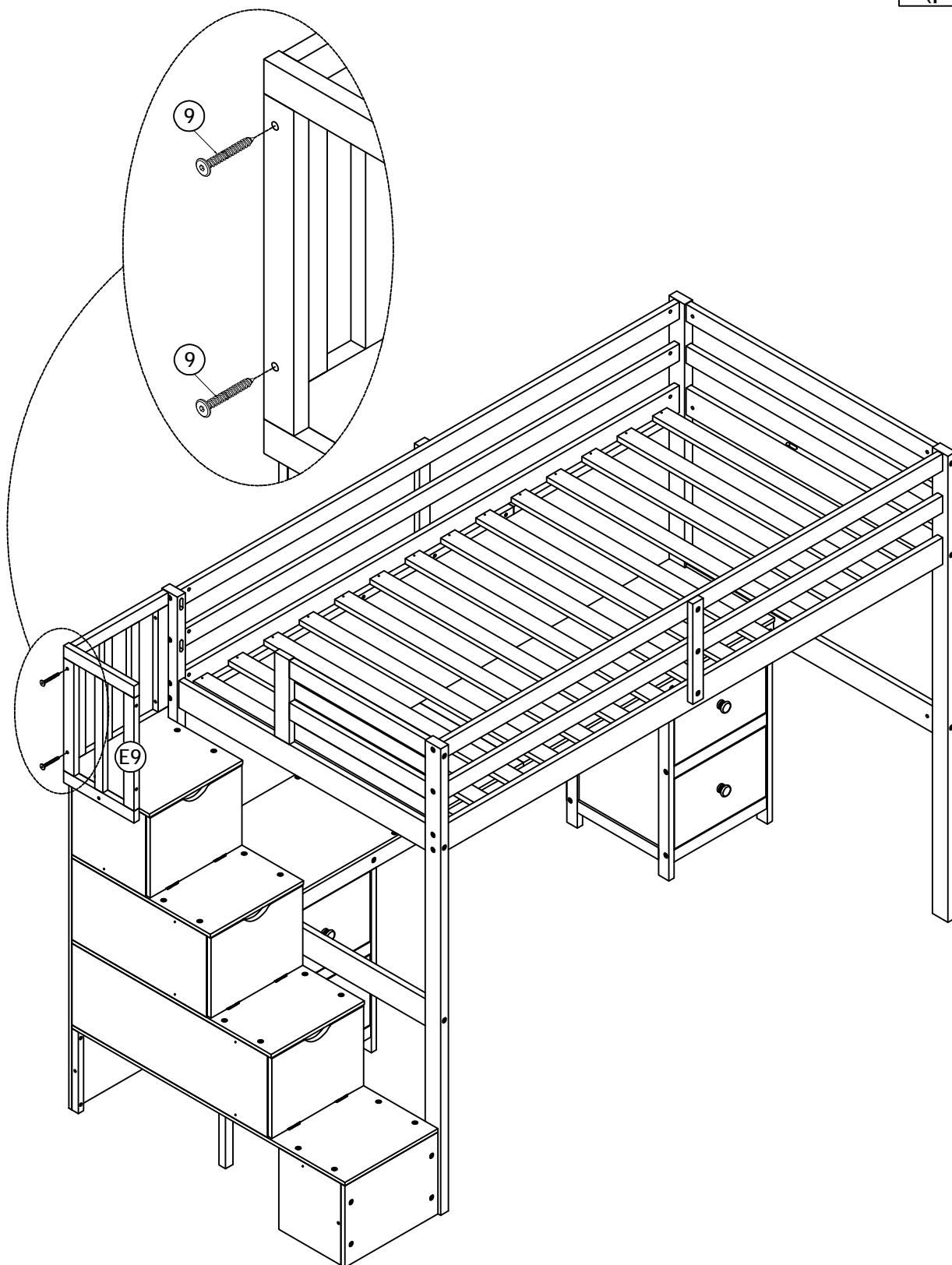


STEP25: Following below illustration.



9



2(pcs)



STEP26: Following below illustration.

10	23
	
2(pcs)	4(pcs)

