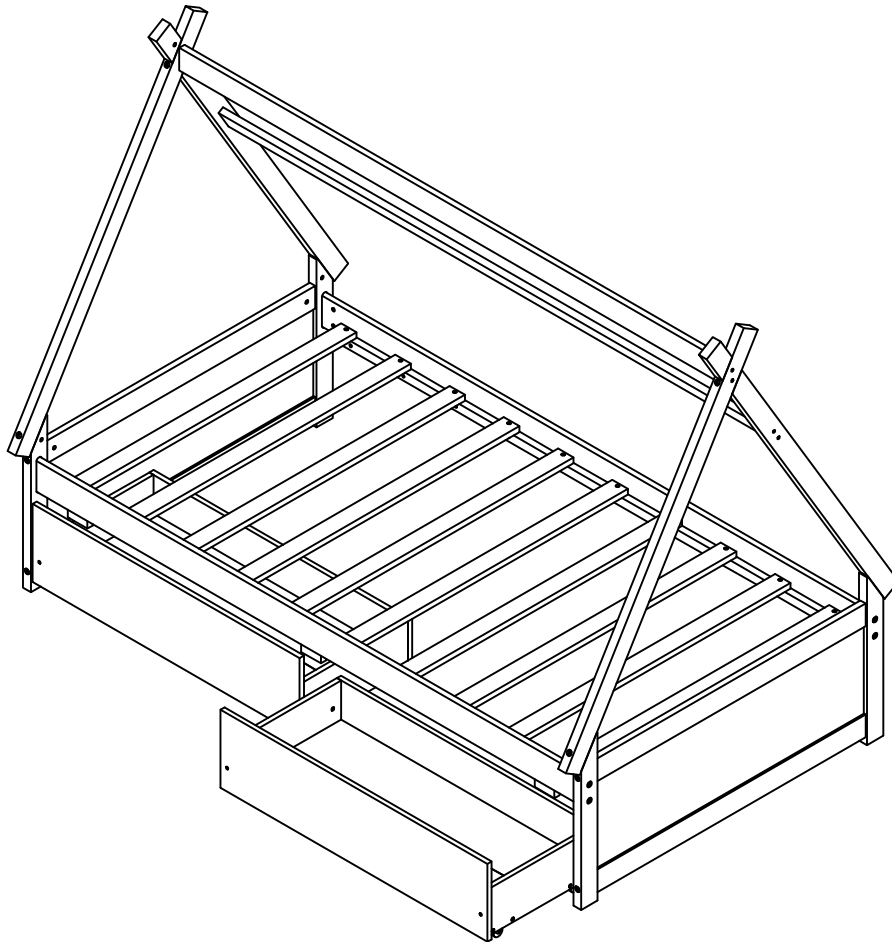


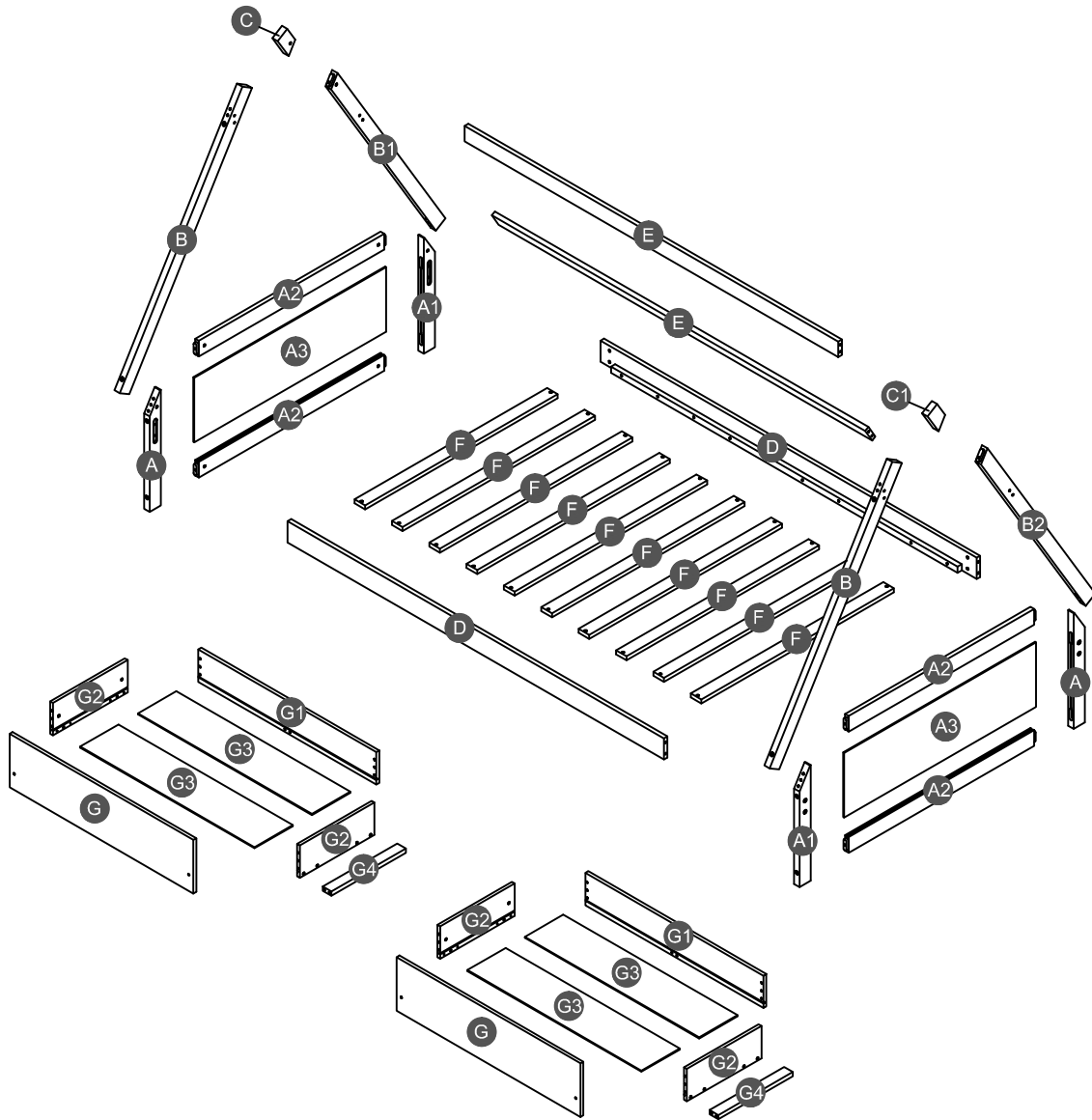
ASSEMBLY INSTRUCTIONS

TWIN HOUSE BED WITH 2 DRAWERS

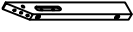

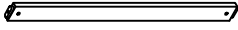

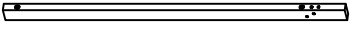

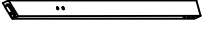



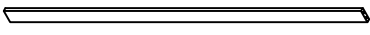
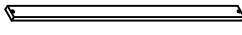


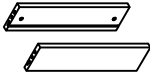
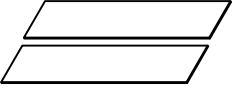
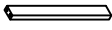


WF322502

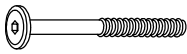
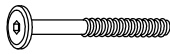
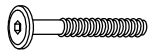


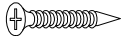
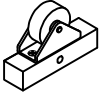
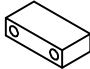


Detail View



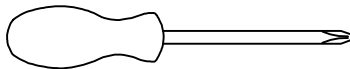
Part List

<p>A</p>  <p>Leg (Left Front/Right Back) - 2pcs</p>	<p>A1</p>  <p>Leg (Left Back/Right Front) - 2pcs</p>	<p>A2</p>  <p>Horizontal bar HB/FB - 4pcs</p>
<p>A3</p>  <p>Side panel HB/FB - 2pcs</p>	<p>B</p>  <p>Horizontal bar (Front) - 2pcs</p>	<p>B1</p>  <p>Horizontal bar (Left Back) - 1pc</p>
<p>B2</p>  <p>Horizontal bar (Right Back) - 1pc</p>	<p>C</p>  <p>Block (Left) - 1pc</p>	<p>C1</p>  <p>Block (Right) - 1pc</p>
<p>D</p>  <p>Side rail - 2pcs</p>	<p>E</p>  <p>Upper horizontal bar - 2pcs</p>	<p>F</p>  <p>Slats - 10pcs</p>
<p>G</p>  <p>Front drawer panel - 2pcs</p>	<p>G1</p>  <p>Back drawer panel - 2pcs</p>	<p>G2</p>  <p>Left / right drawer panel - 4pcs</p>
<p>G3</p>  <p>Drawer bottom - 4pcs</p>	<p>G4</p>  <p>Support drawer - 2pcs</p>	

Hardware List

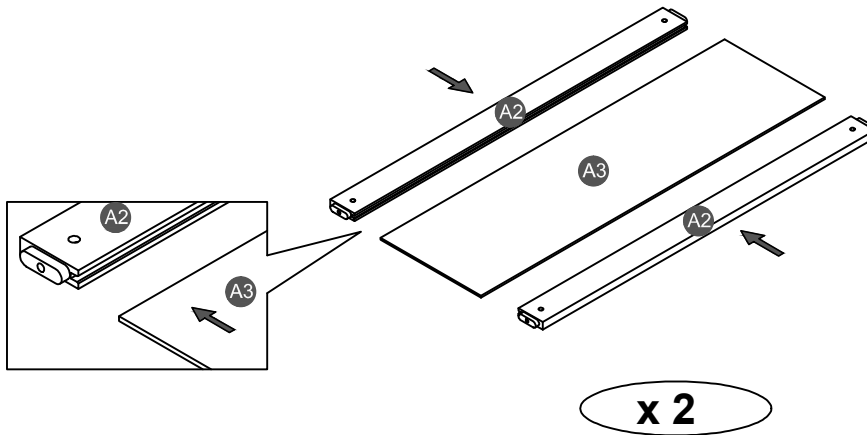
1  (Ø15)1/4"*100mm	2  (Ø15)1/4"*80mm	3  (Ø12)1/4"*60mm
Hex-Head bolts (8pcs)	Hex-Head bolts (24pcs)	Hex-Head bolts (8pcs)
4  (1/4")4.5*58mm	5  1/4"*15 (9.5mm)	6  Ø4*30mm
Allen key (1pc)	Horizontal-Hole bolts(40pcs)	Wood screws (42pcs)
7  100*54*20 mm	8  70*35*19 mm	9  Ø8*30mm
Wheels (8pcs)	Drawer stopper (3pcs)	Wood dowel (34pcs)
10  Ø10*20mm Wood dowel (8pcs)		

ASSEMBLY TOOLS REQUIRED (NOT INCLUDED)





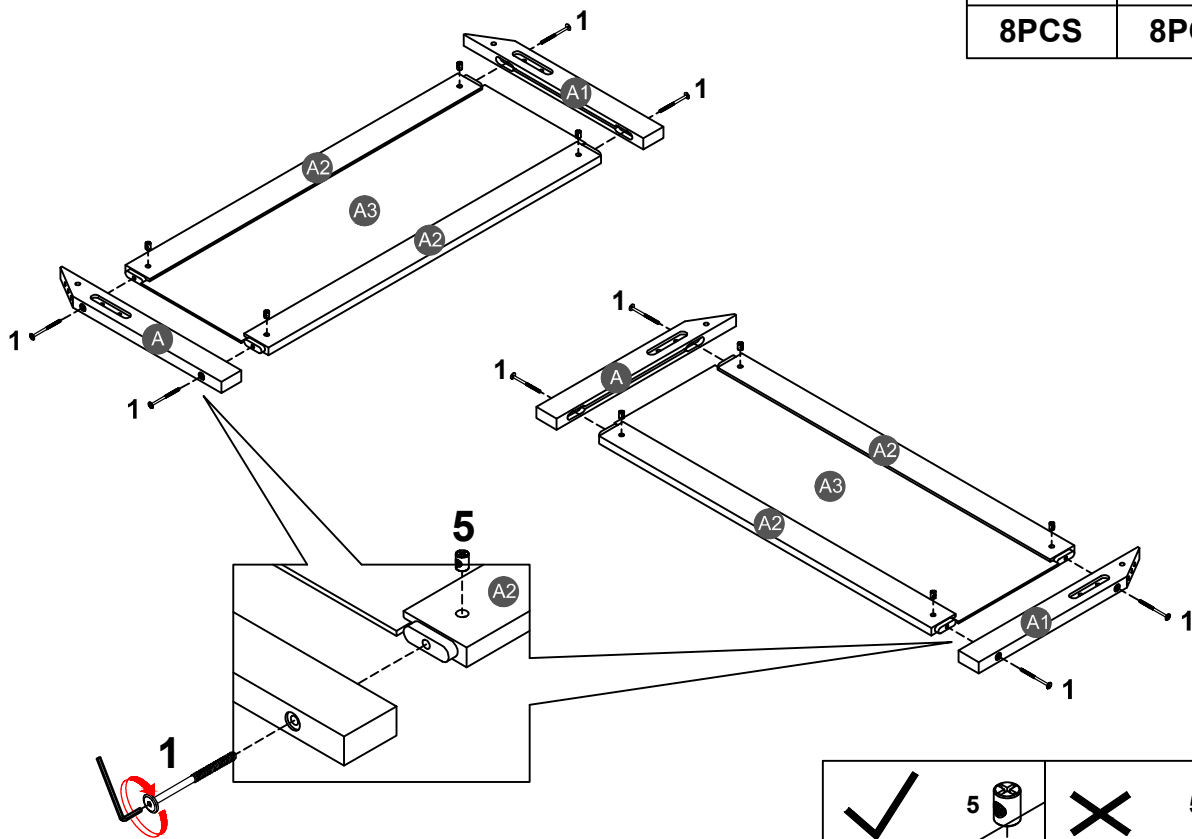
PLEASE BE CAREFUL DO NOT DAMAGE THE HOLE POSITION WHEN YOU USE POWER TOOLS !

STEP 1:

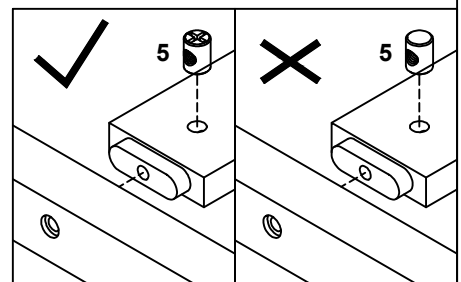


STEP 2:

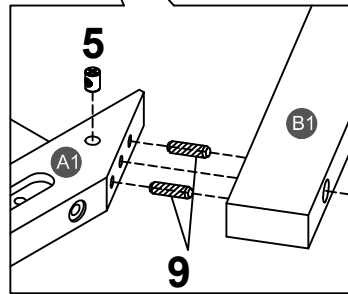
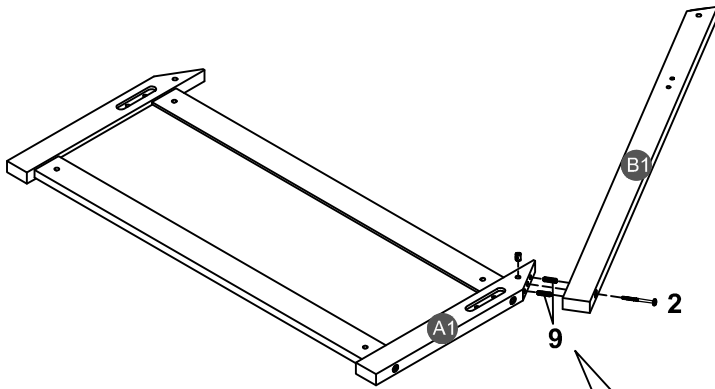
1	5
	
8PCS	8PCS






Note: Part 5 will face up with the "x" mark on it, otherwise it cannot be tightened

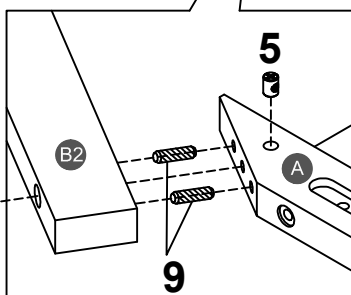
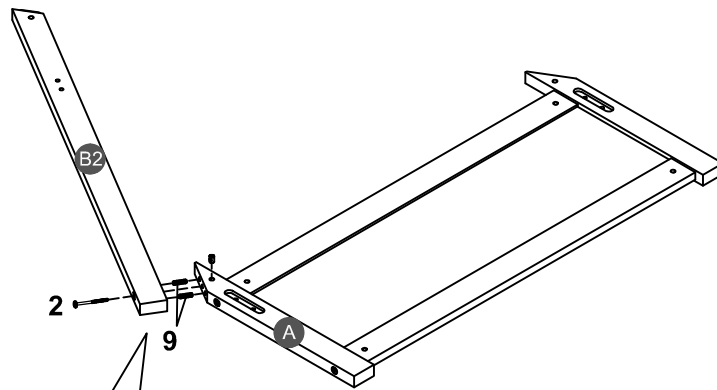





STEP 3:






2		5	
1PC		1PC	
		9	
		2PCS	

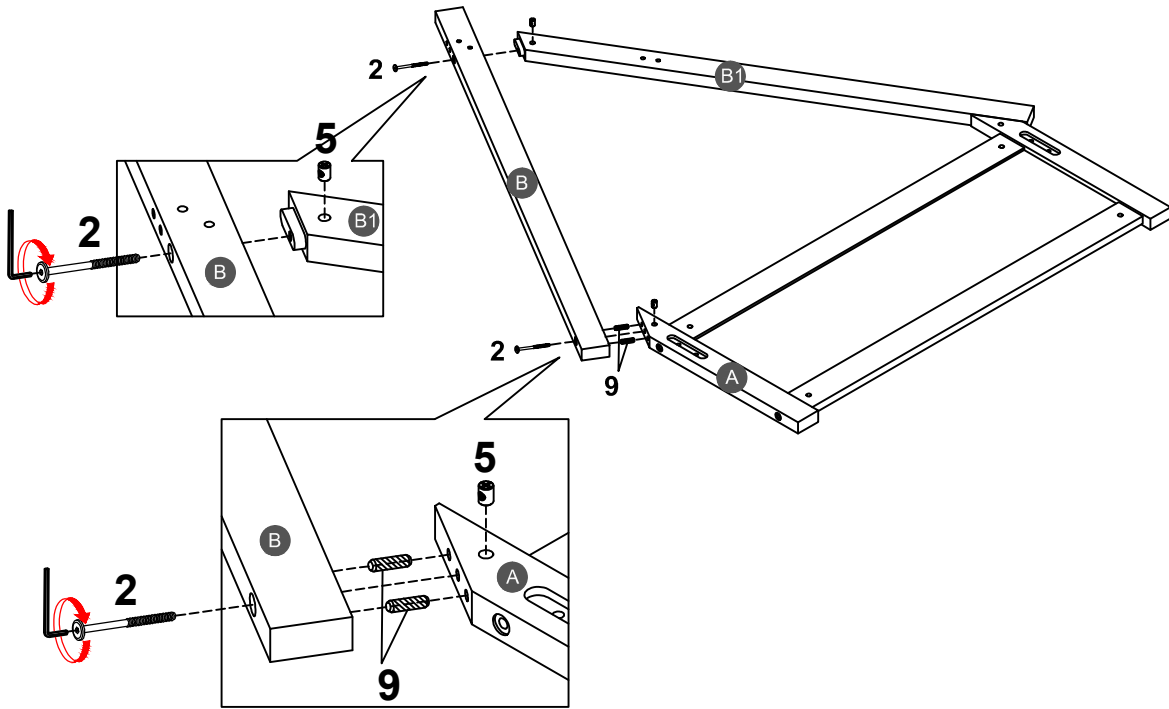
STEP 4:






2		5	
1PC		1PC	
		9	
		2PCS	

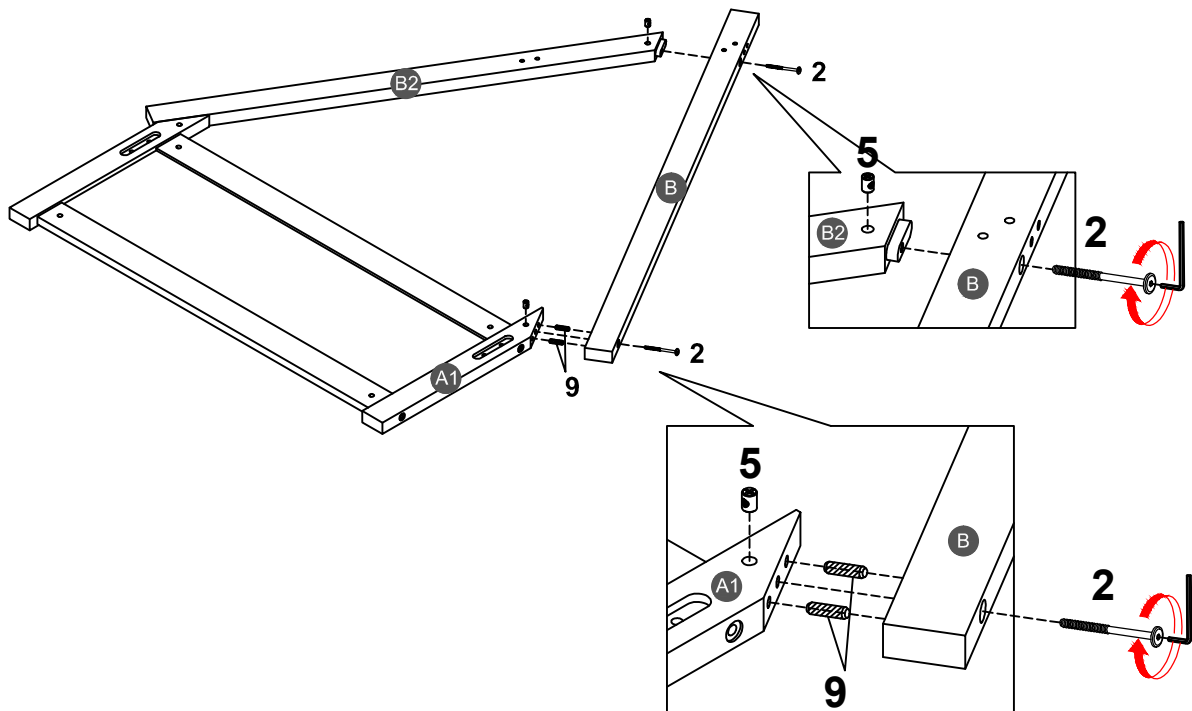
STEP 5:

2		5		9	
2PCS		2PCS		2PCS	






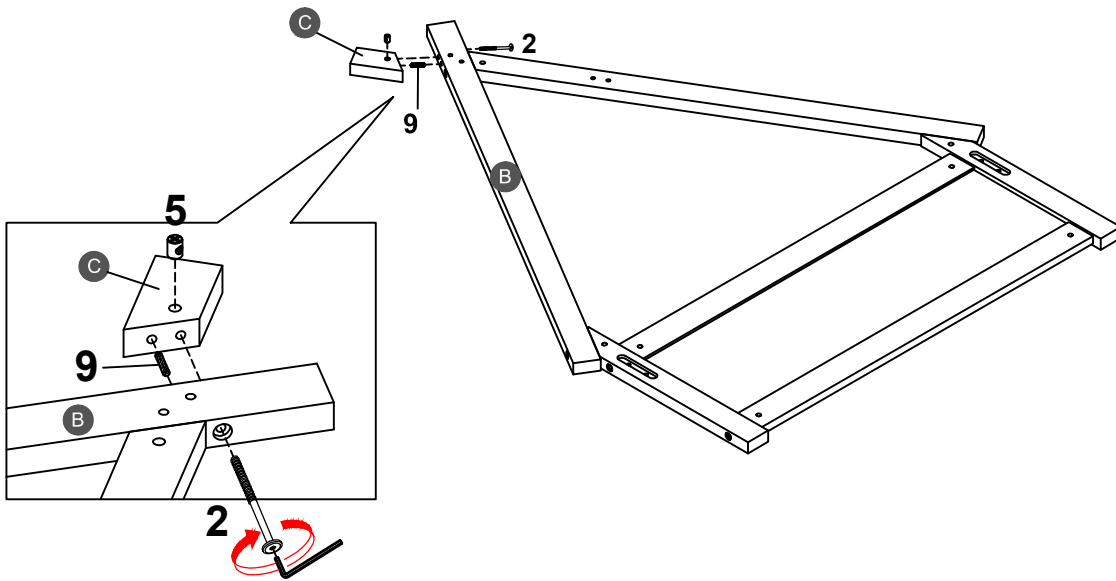
STEP 6:

2		5		9	
2PCS		2PCS		2PCS	






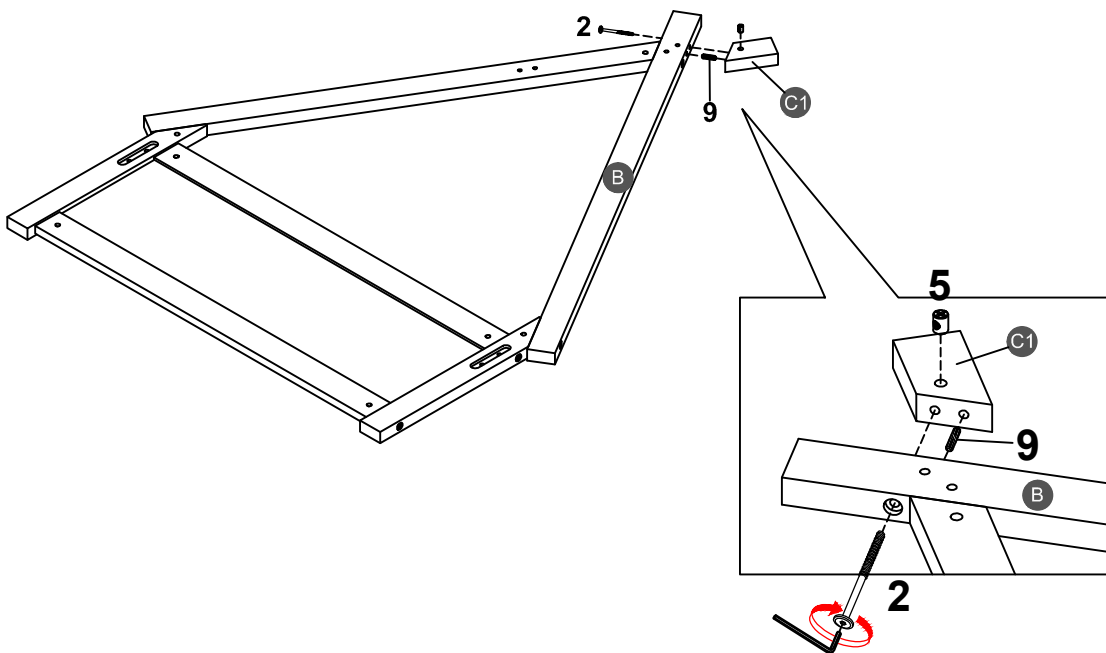
STEP 7:

2		5		9	
1PC		1PC		1PC	





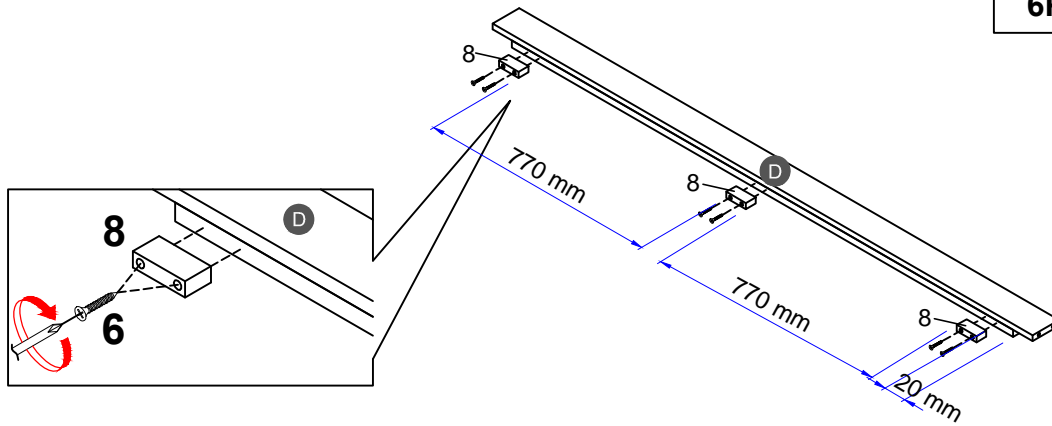
STEP 8:

2		5		9	
1PC		1PC		1PC	



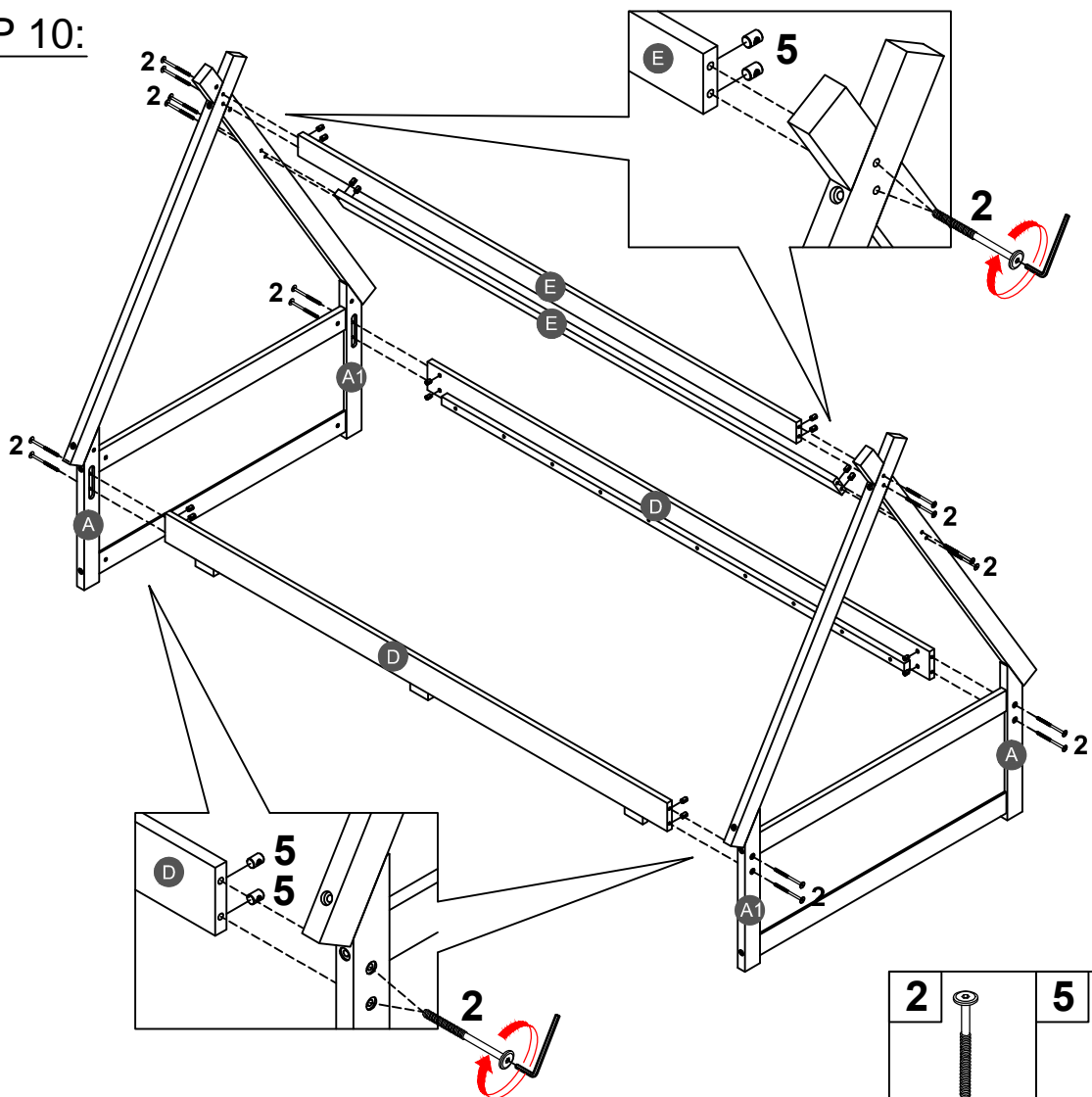
STEP 9:



6		8	
6PCS		3PCS	



Drawer stopper (8) with lower side rail front (D) by using screw (6).

STEP 10:



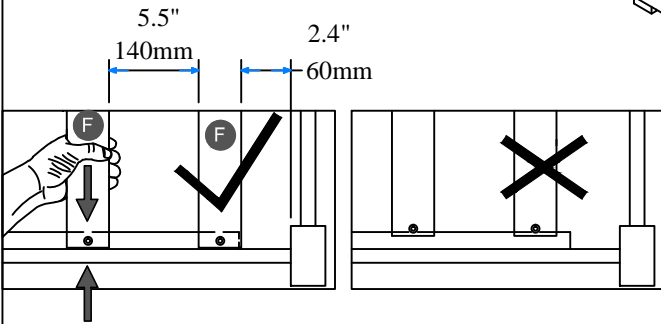
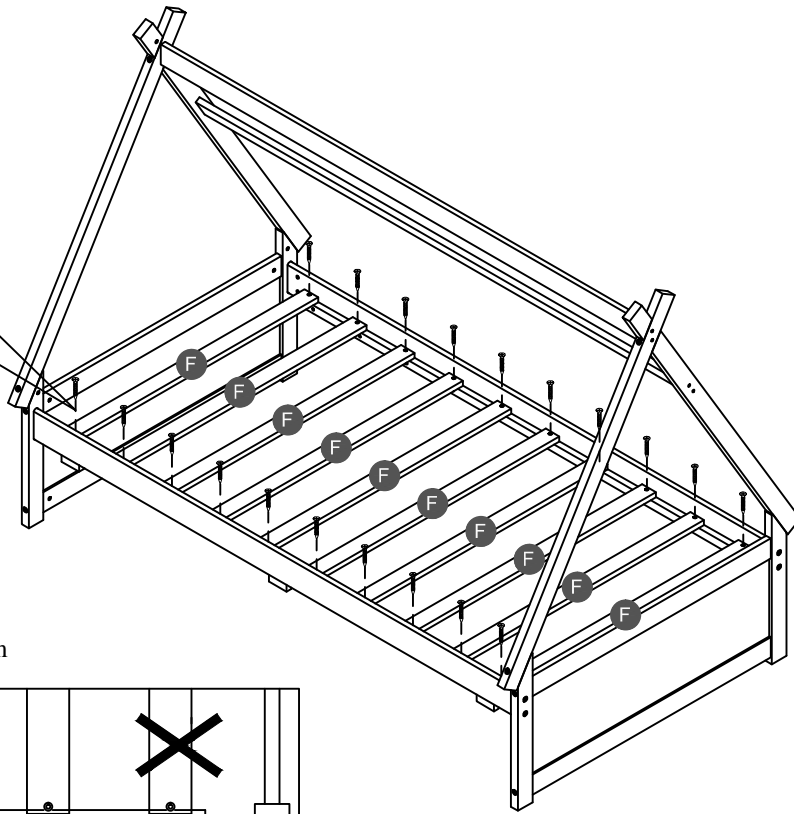
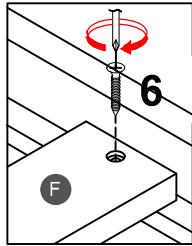
2		5	
16PCS		16PCS	

STEP 11:

6



20PCS



NOTE: Please make sure the bed slats close to the side rail before locking the screws to avoid breakage. This step is required for both the left and right sides. Moreover, please do not lock the screws of the bed slats at the outermost edge to avoid damaging.

STEP 12:

3



4PCS

5

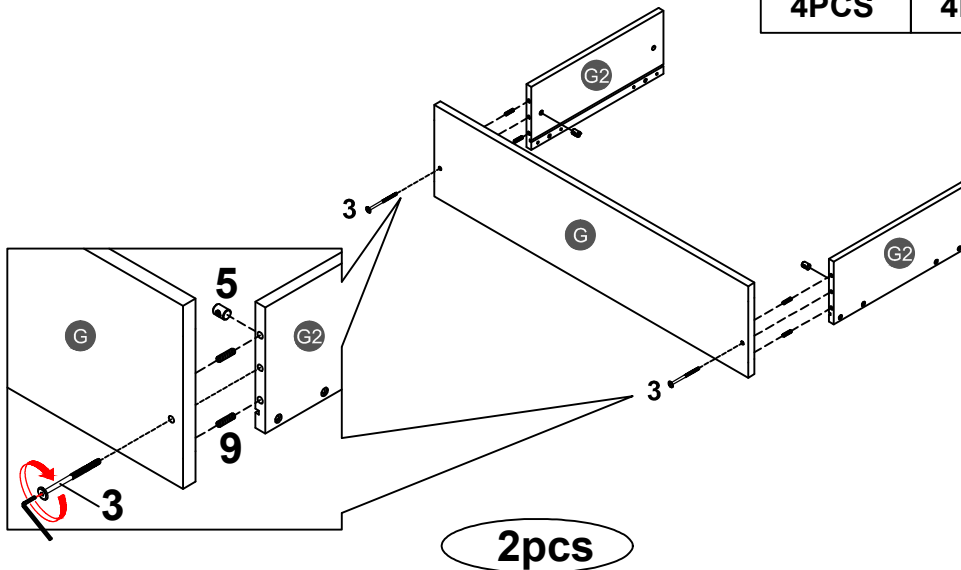


4PCS

9

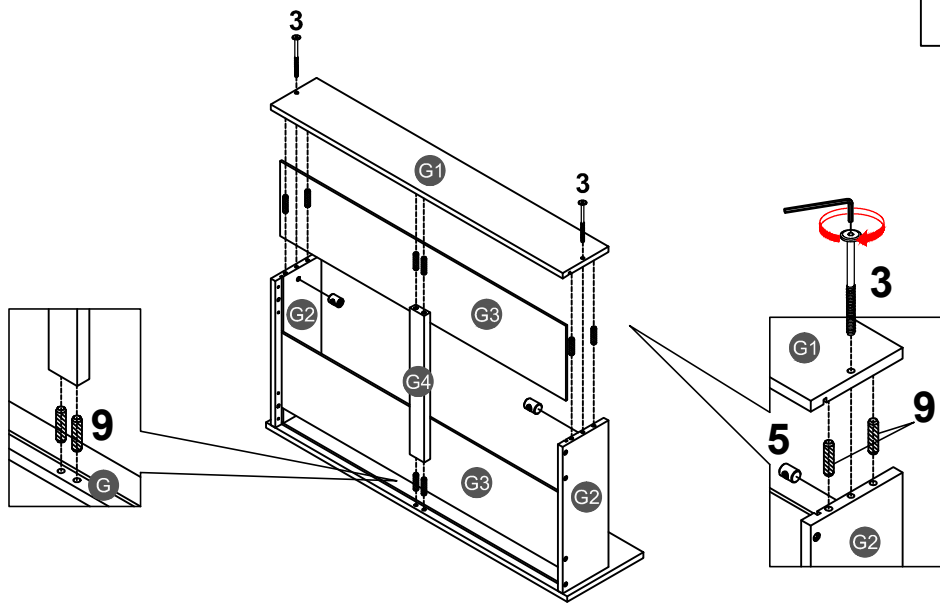


8PCS



2pcs

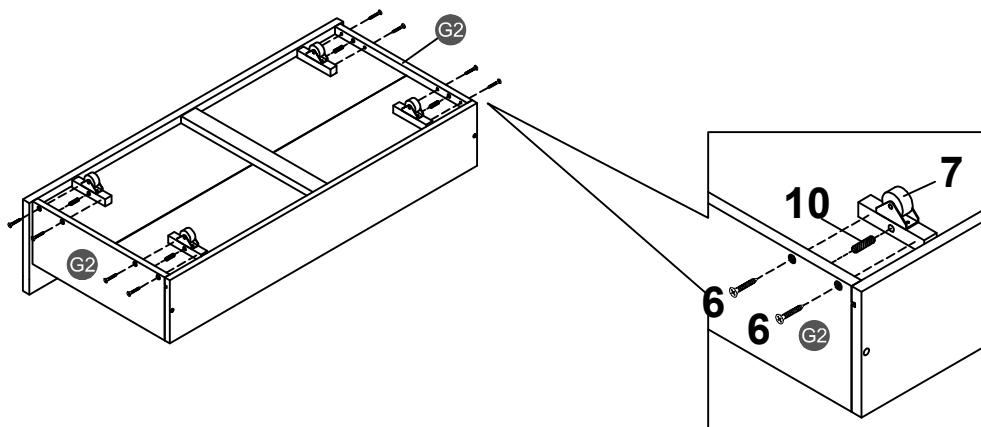
STEP 13:



3		5	
4PCS		4PCS	
		9	
16PCS			

2pcs

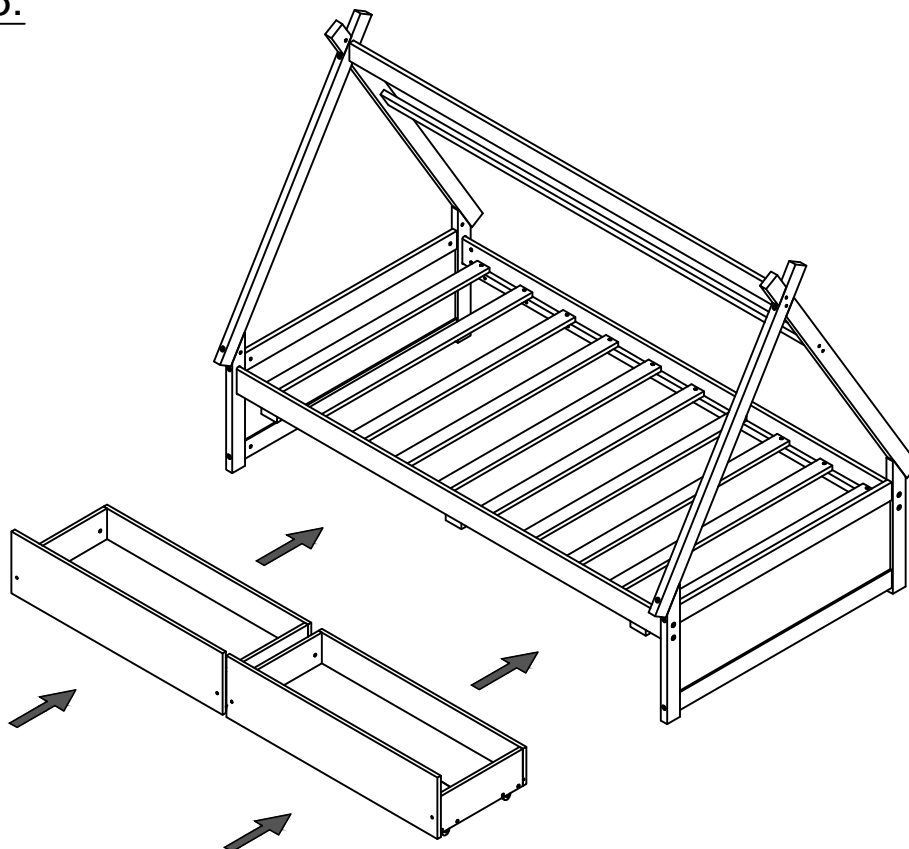
STEP 14:



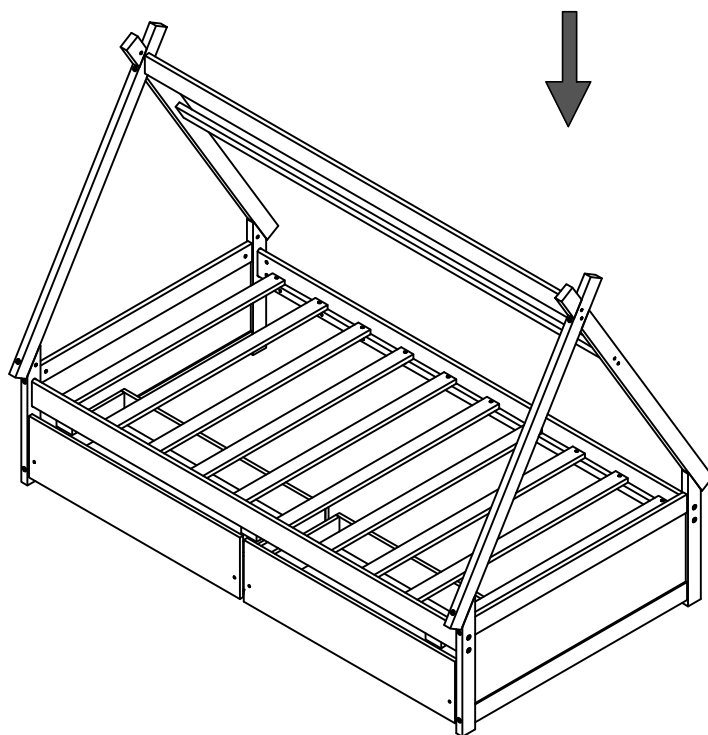
6		7		10	
16PCS		8PCS		8PCS	

2pcs

STEP 15:



Push Drawers under the bottom of the house bed.



Make sure to tighten all the screws of the bed.