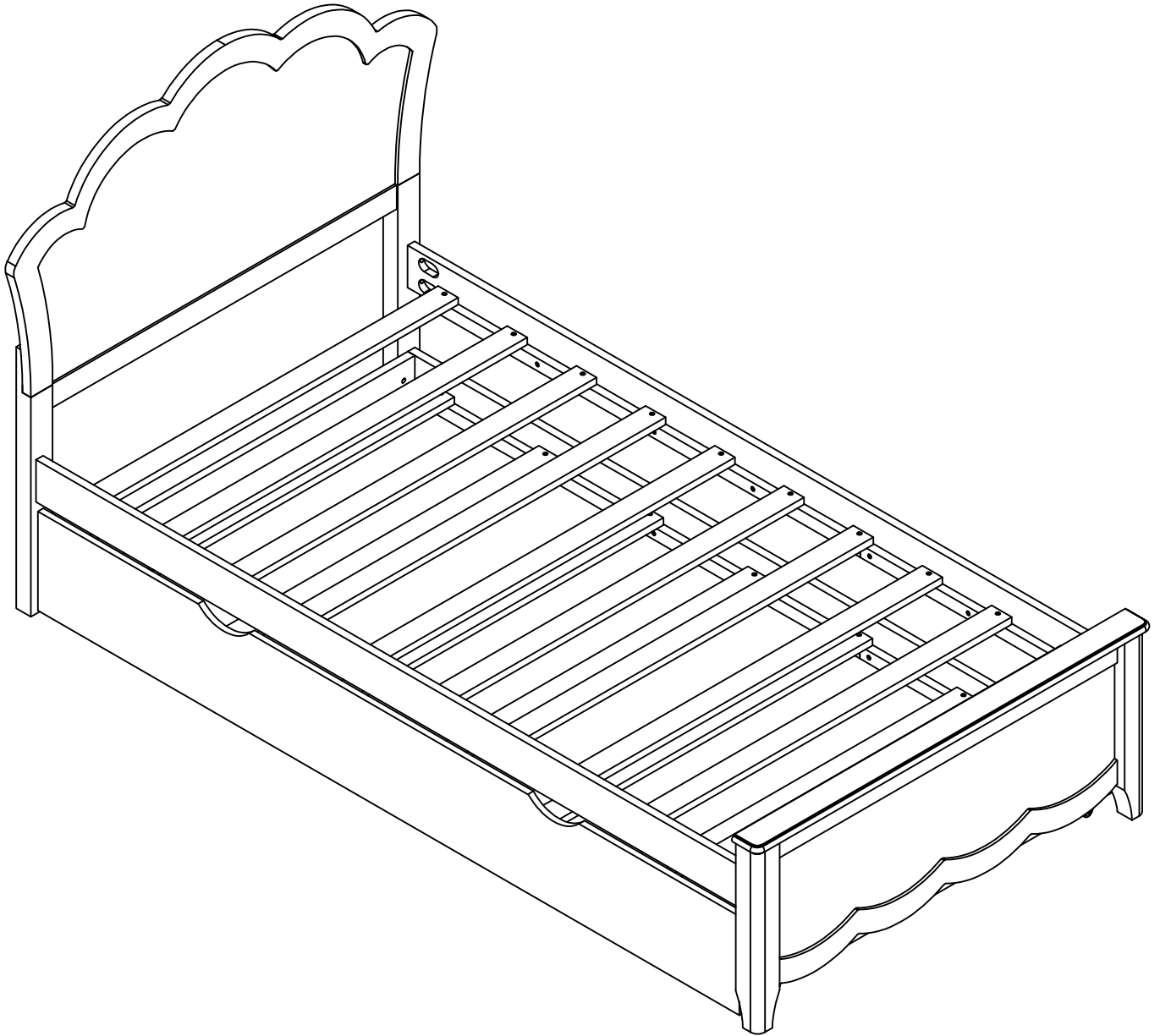
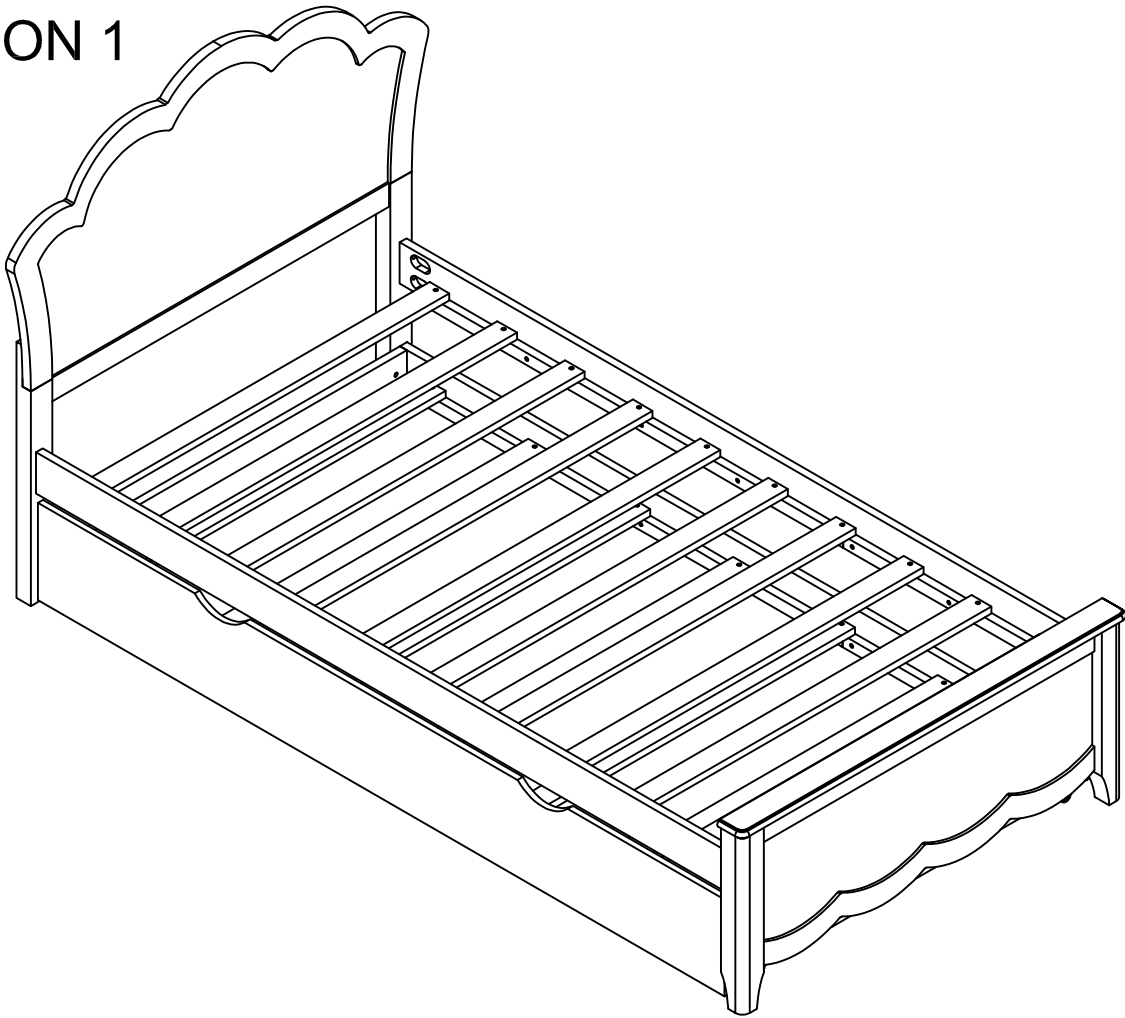


ASSEMBLY INSTRUCTION

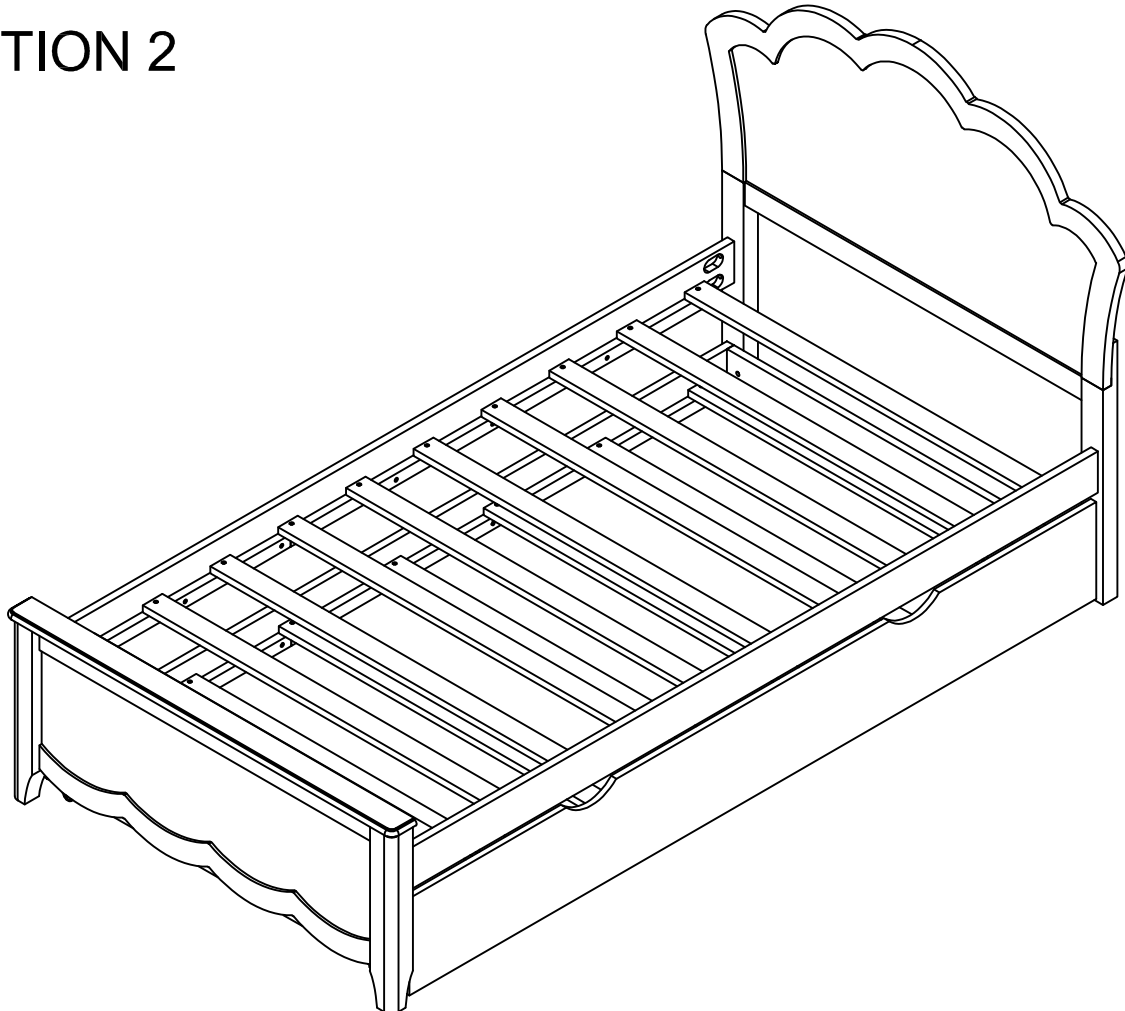
SKU CODE: (WF323719-323720)



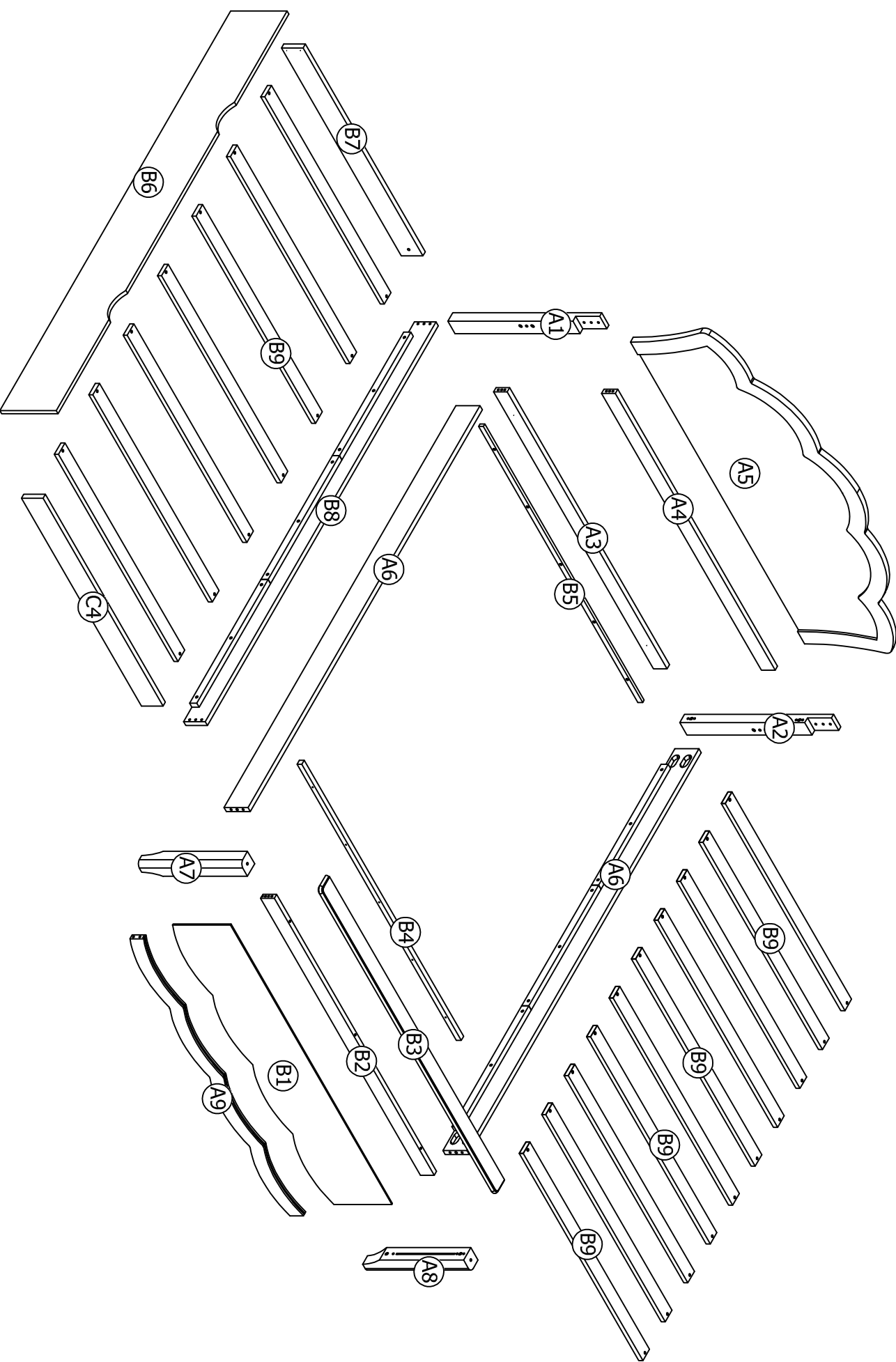
OPTION 1



OPTION 2

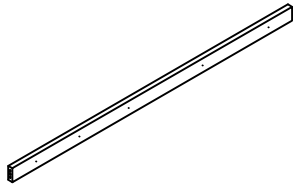


ASSEMBLY INSTRUCTION



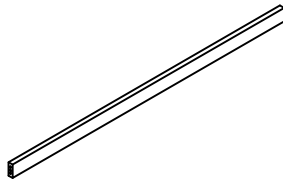
Part List & Hardware List (Box1-WF323719)

A3



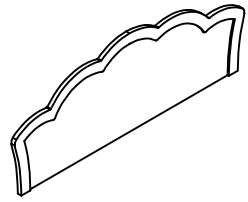
WoodBar-1pc

A4



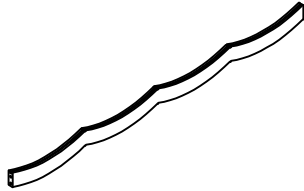
WoodBar-1pc

A5



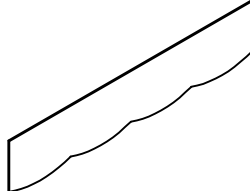
Panel-1pc

A9



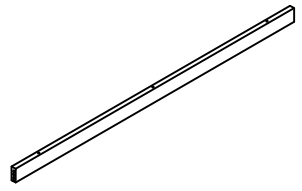
WoodBar-1pc

B1



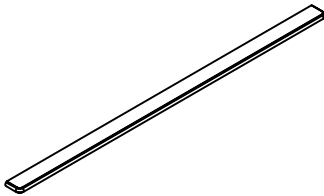
Panel-1pc

B2



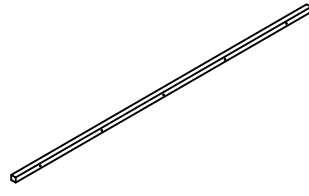
WoodBar-1pc

B3



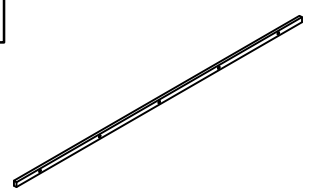
WoodBar-1pc

B4



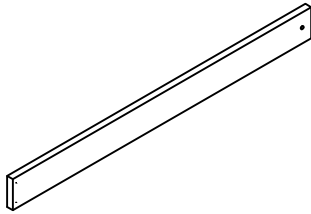
WoodBar-1pc

B5



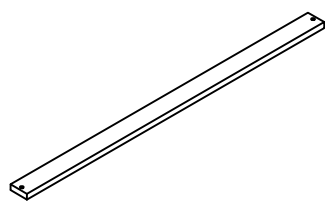
WoodBar-1pc

B7



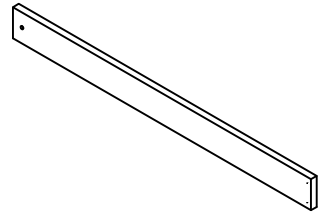
WoodBar-1pc

B9



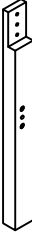
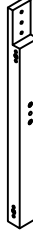
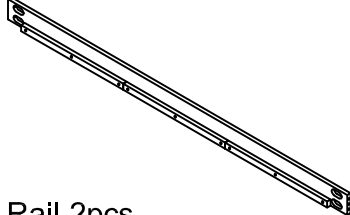
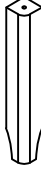

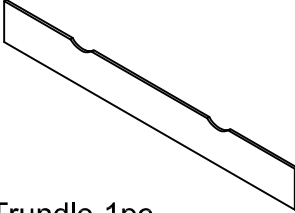
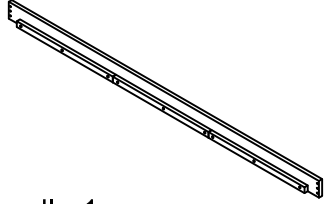
Slat -17pcs

C4






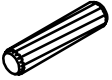


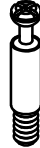
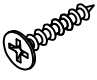


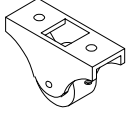
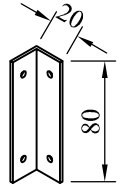
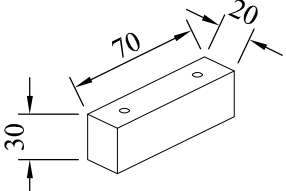

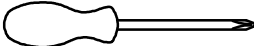


WoodBar-1pc

Part List (Box2-WF323720)

<p>A1</p>  <p>Leg-1pc</p>	<p>A2</p>  <p>Leg-1pc</p>	<p>A6</p>  <p>Side Rail-2pcs</p>
<p>A7</p>  <p>Leg-1pc</p>	<p>A8</p>  <p>Leg-1pc</p>	<p>B6</p>  <p>Front Trundle-1pc</p>
<p>B8</p>  <p>Back Trundle-1pc</p>		

Hardware List (Box 1-WF323719)

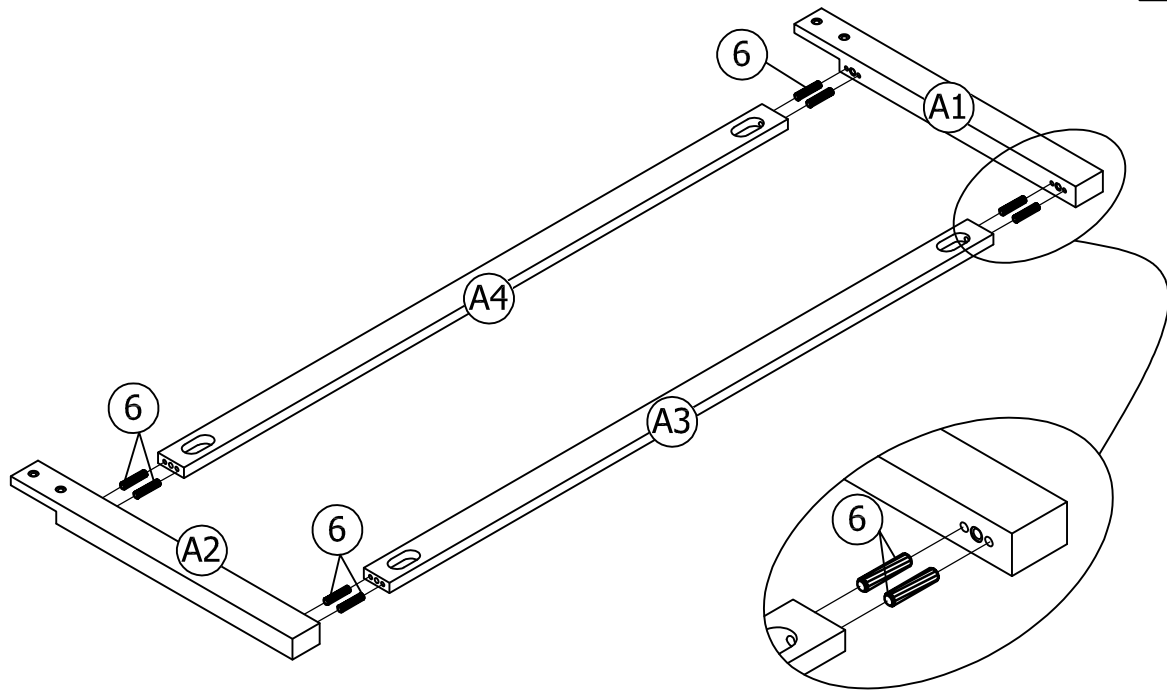
<p>1</p>  <p>Ø1/4" x 30 mm Hex-Head bolts 4pcs</p>	<p>2</p>  <p>Ø1/4" x 50 mm Hex-Head bolts 16pcs</p>	<p>3</p>  <p>Ø1/4" x 60 mm Hex-Head bolts 2pcs</p>
<p>4</p>  <p>Ø1/4" x 13 mm Horizontal-Hole bolts 2pcs</p>	<p>5</p>  <p>Curved washer 16pcs</p>	<p>6</p>  <p>Ø8 x 30 mm Wood dowel 20pcs</p>
<p>7</p>  <p>Ø10 x 40 mm Wood dowel 6pcs</p>	<p>8</p>  <p>Ø15 x 9.5 mm Cam lock 3pcs</p>	<p>9</p>  <p>Cam bolt 3pcs</p>
<p>10</p>  <p>M3.5 x 15 mm Wood Screws 16pcs</p>	<p>11</p>  <p>M4 x 25 mm Wood Screws 8pcs</p>	<p>12</p>  <p>M4 x 30 mm Wood Screws 38pcs</p>
<p>13</p>  <p>Wheels 4pcs</p>	<p>14</p>  <p>Angle Metal 2pcs</p>	<p>15</p>  <p>Stop Wood 2pcs</p>
<p>16</p>  <p>Allen Key 1pc</p>	<p>Assembly Tools Required (Not Included)</p> 	

STEP1: Following below illustration.

6



8(pcs)



STEP2: Following below illustration.

5

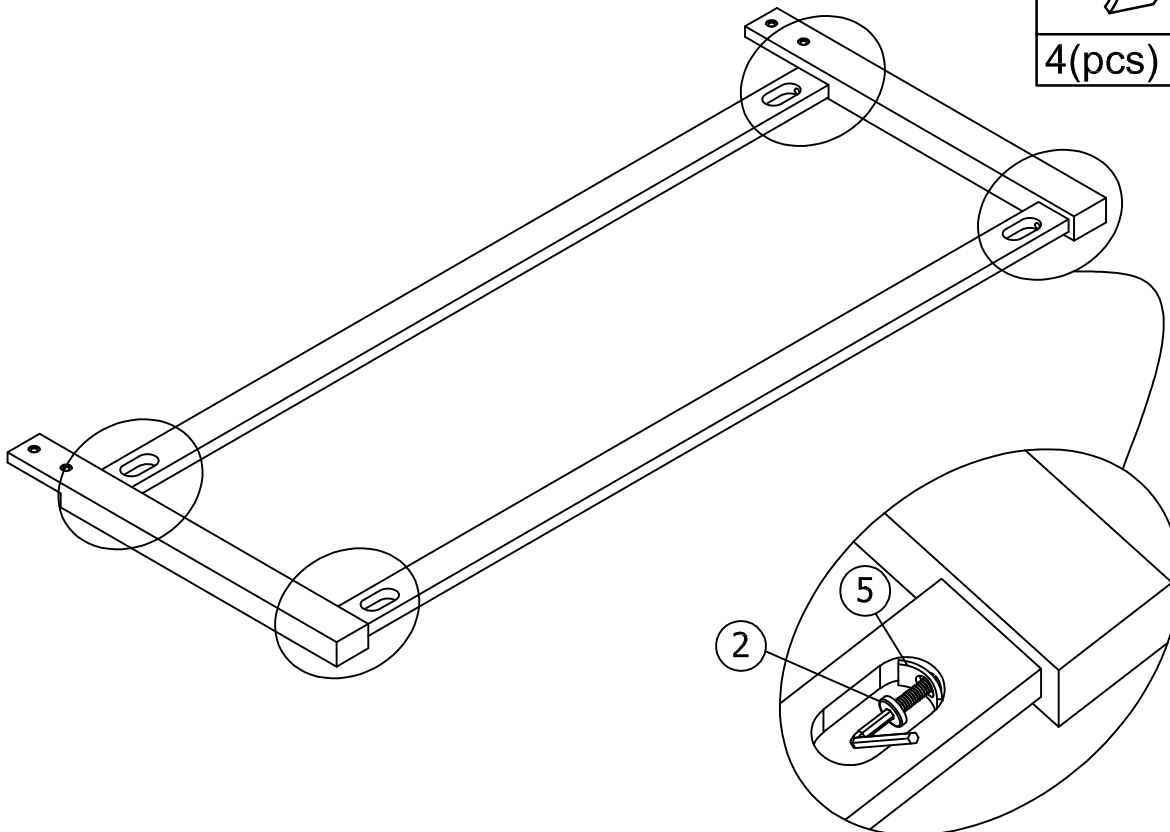


4(pcs)

2



4(pcs)

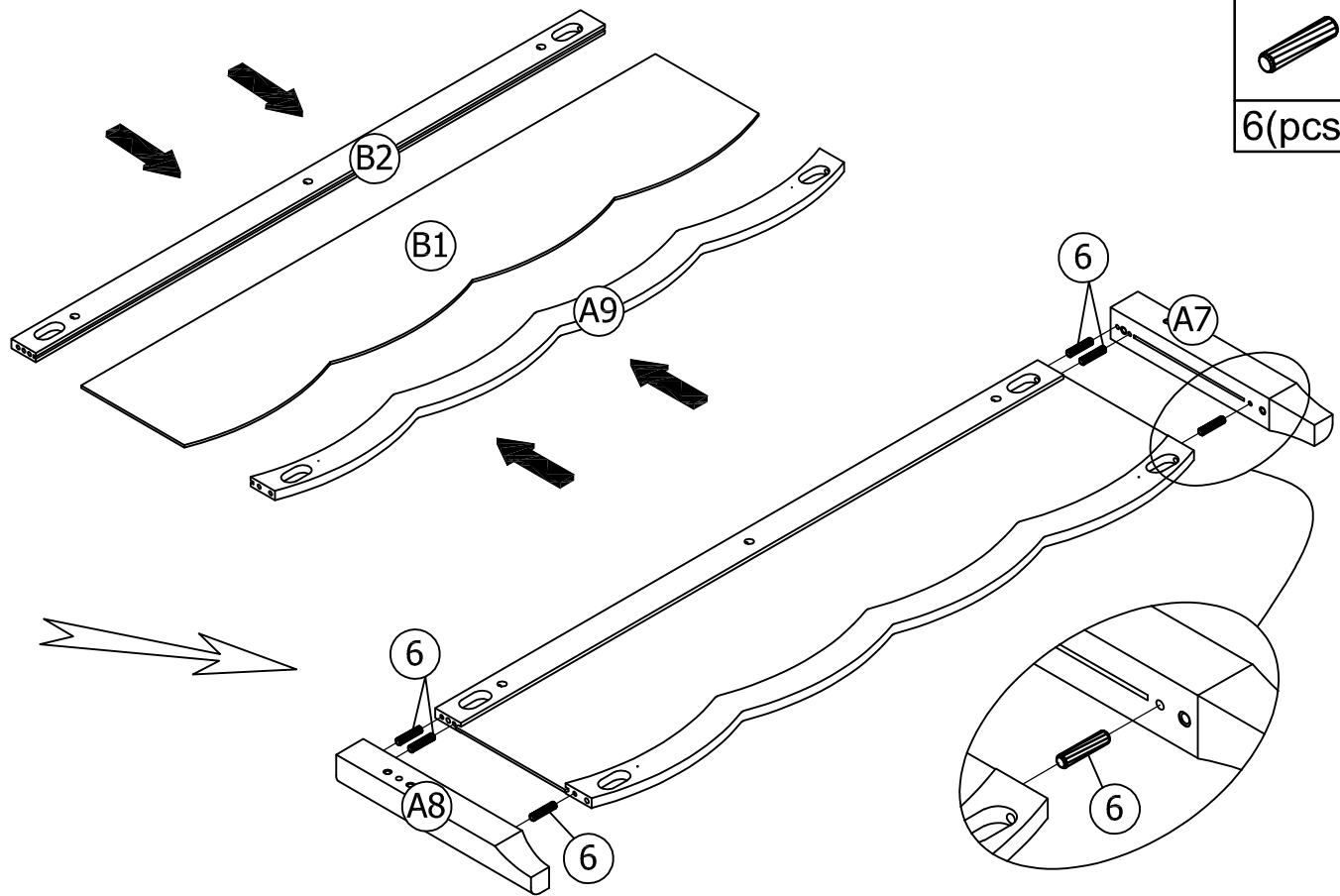


STEP3: Following below illustration.

6



6(pcs)



STEP4: Following below illustration.

5

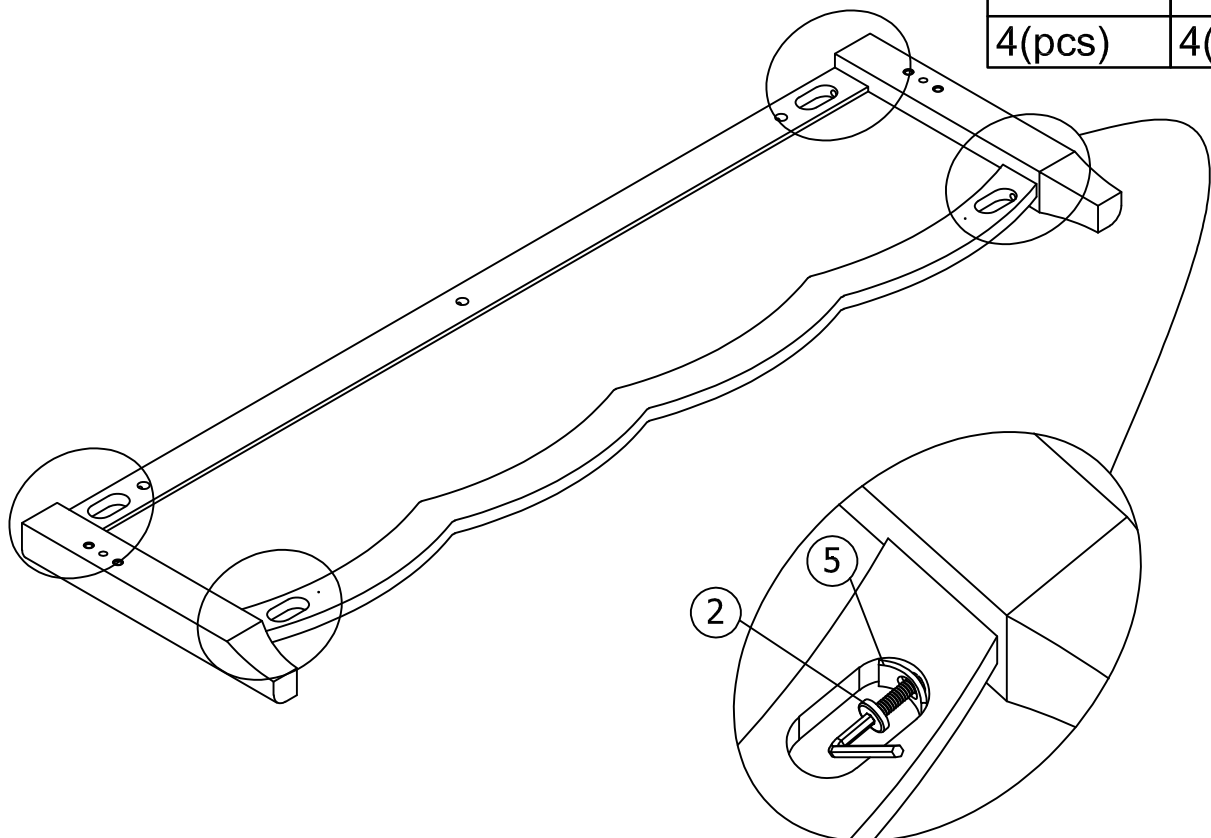


4(pcs)

2

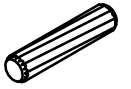


4(pcs)

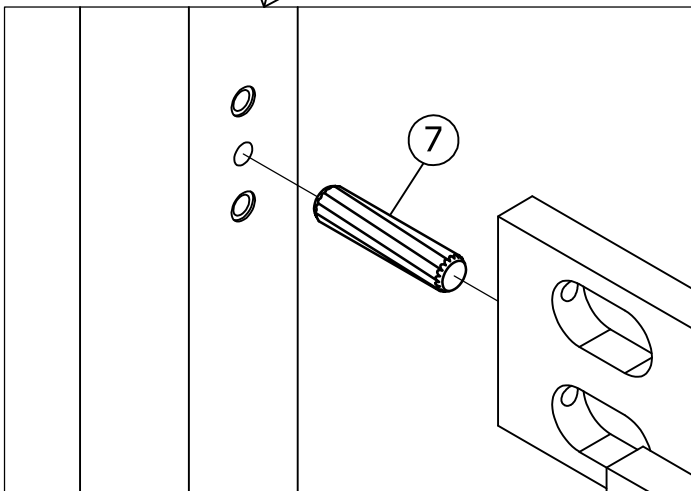
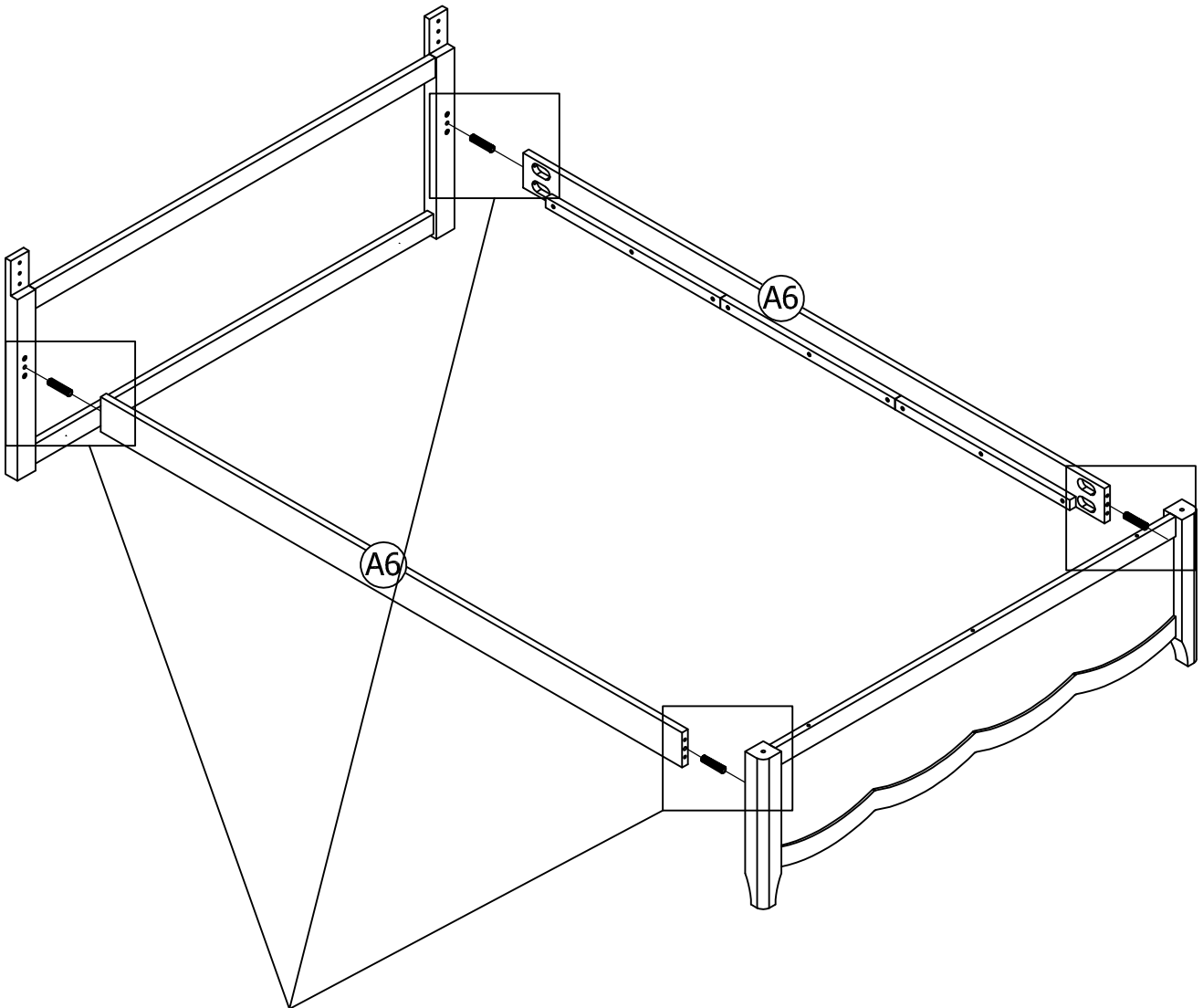


STEP5: Following below illustration.

7



4(pcs)



STEP6: Following below illustration.

5

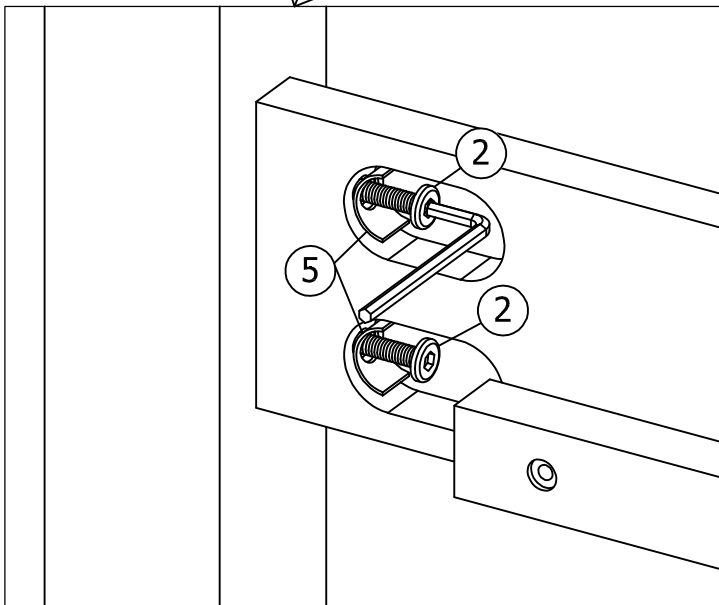
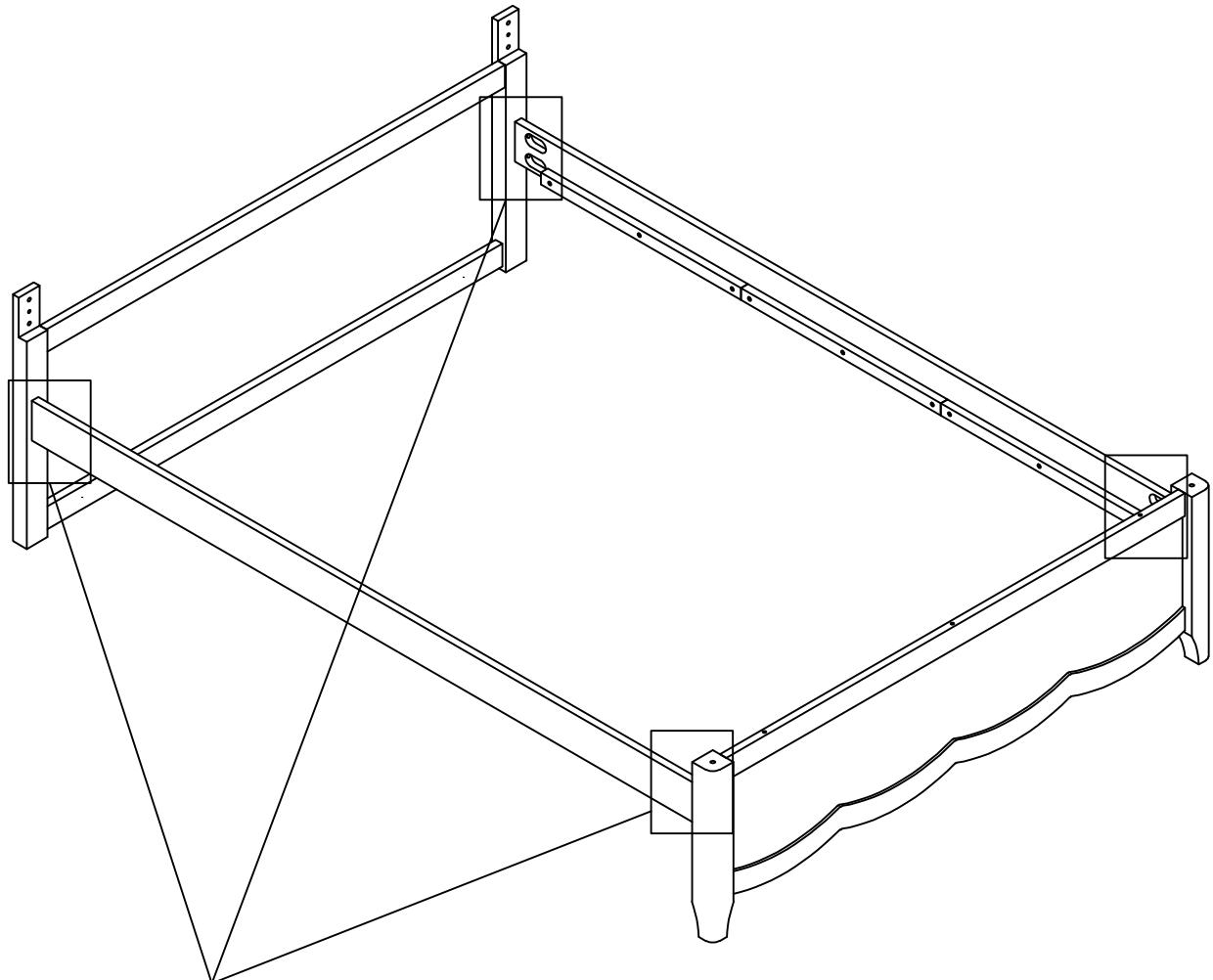


8(pcs)

2



8(pcs)



STEP7: Following below illustration.

6

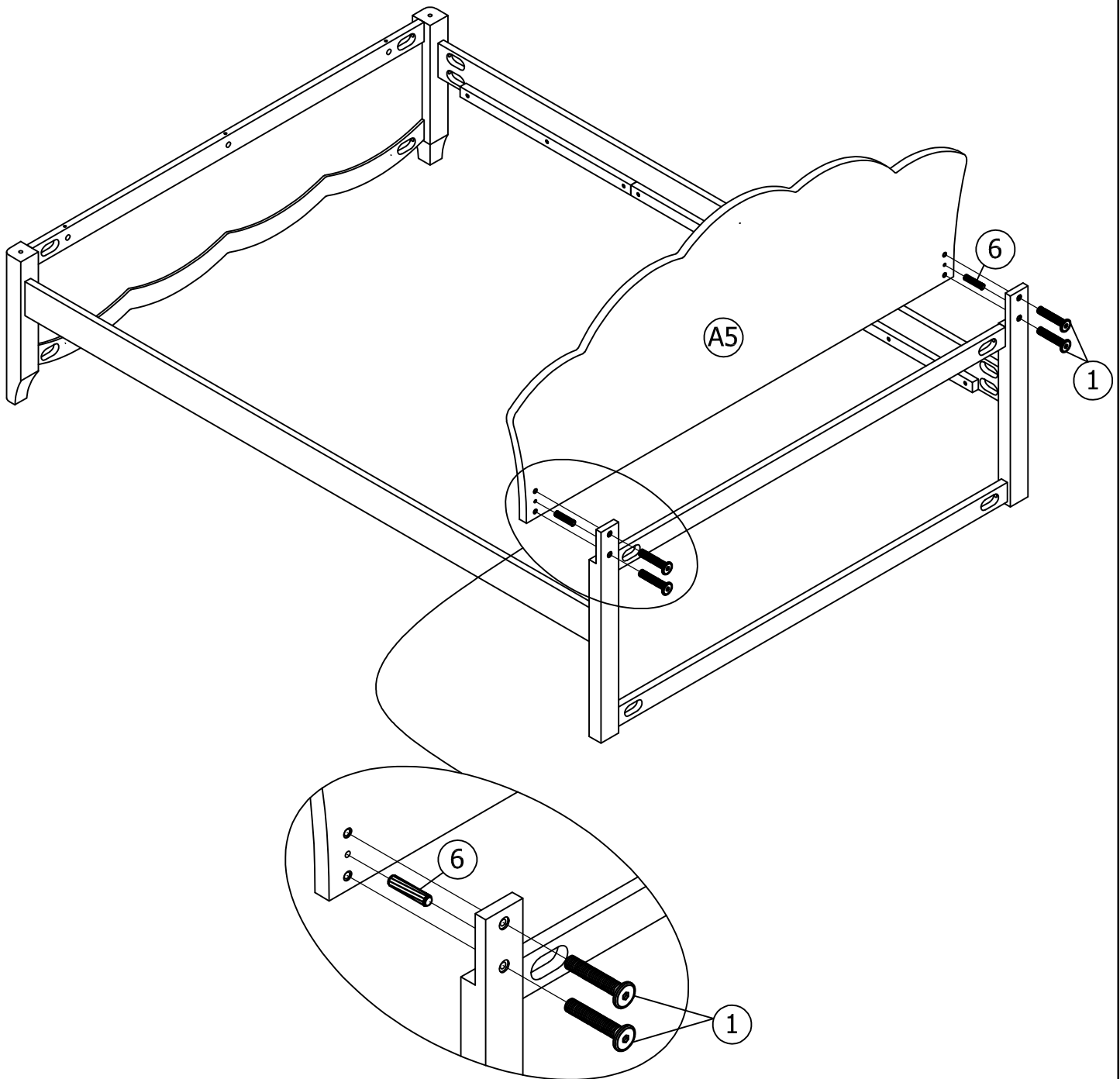


2(pcs)

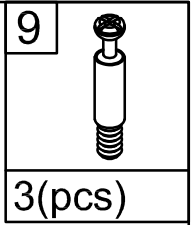
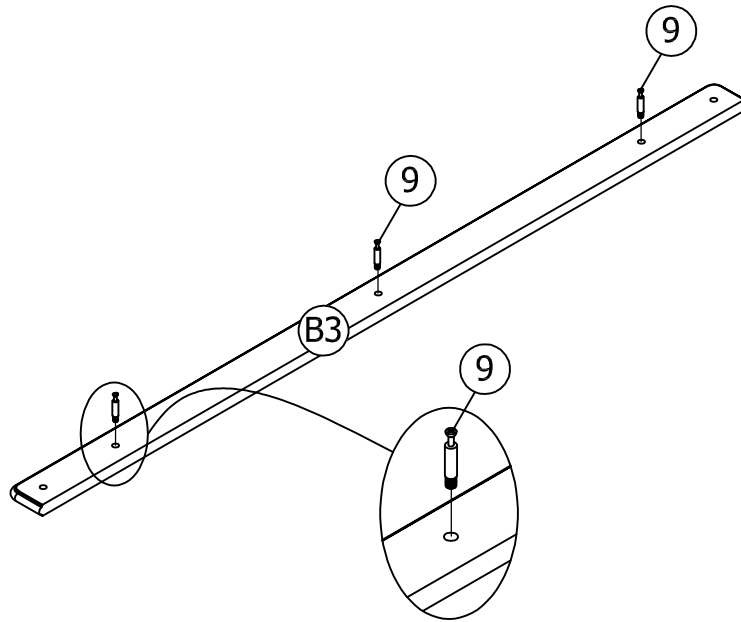
1



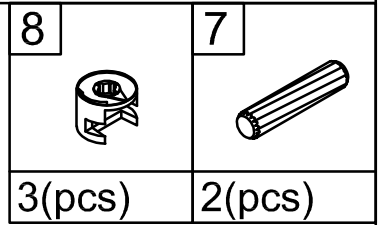
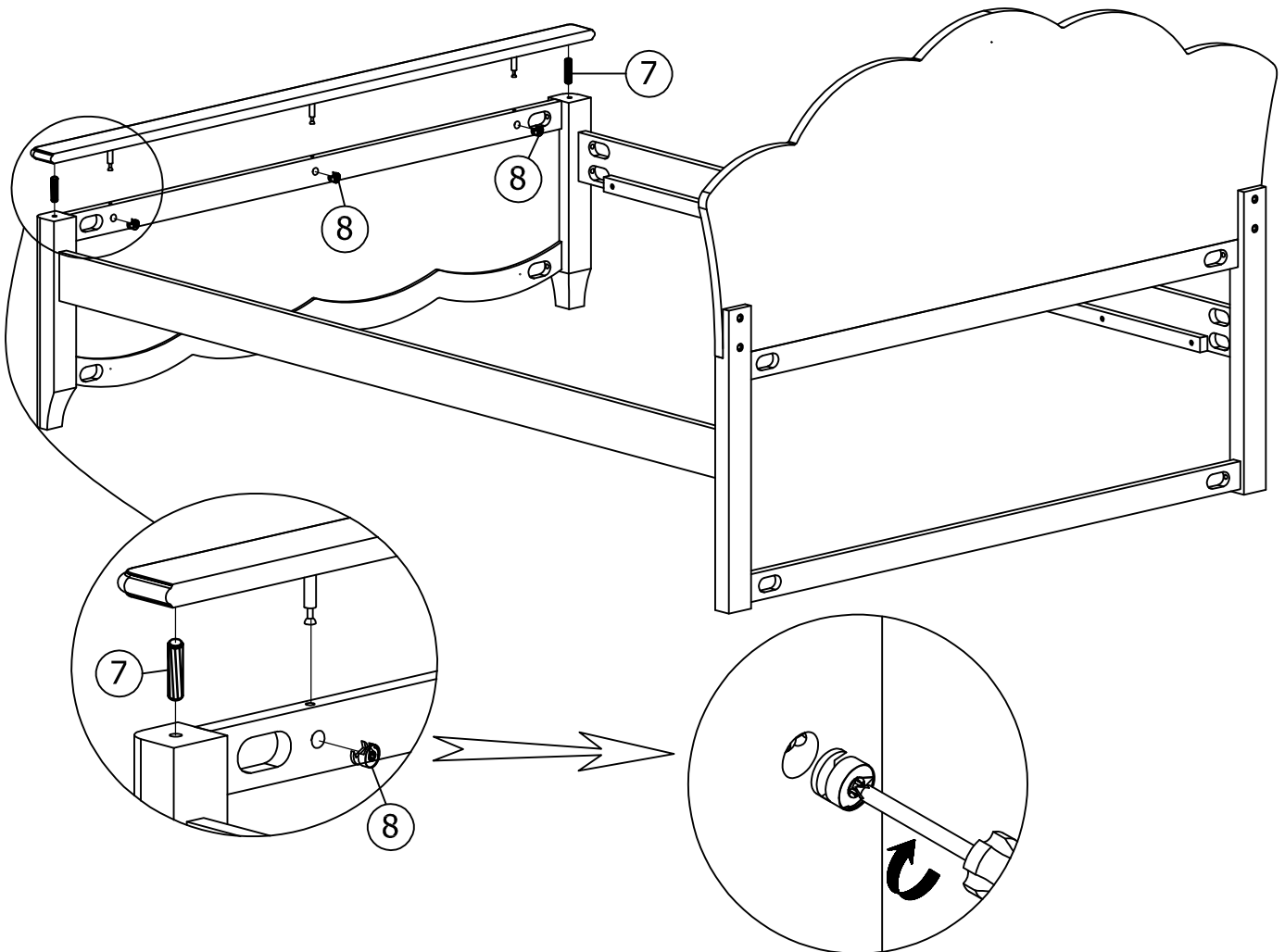
4(pcs)



STEP8: Following below illustration.



STEP9: Following below illustration.

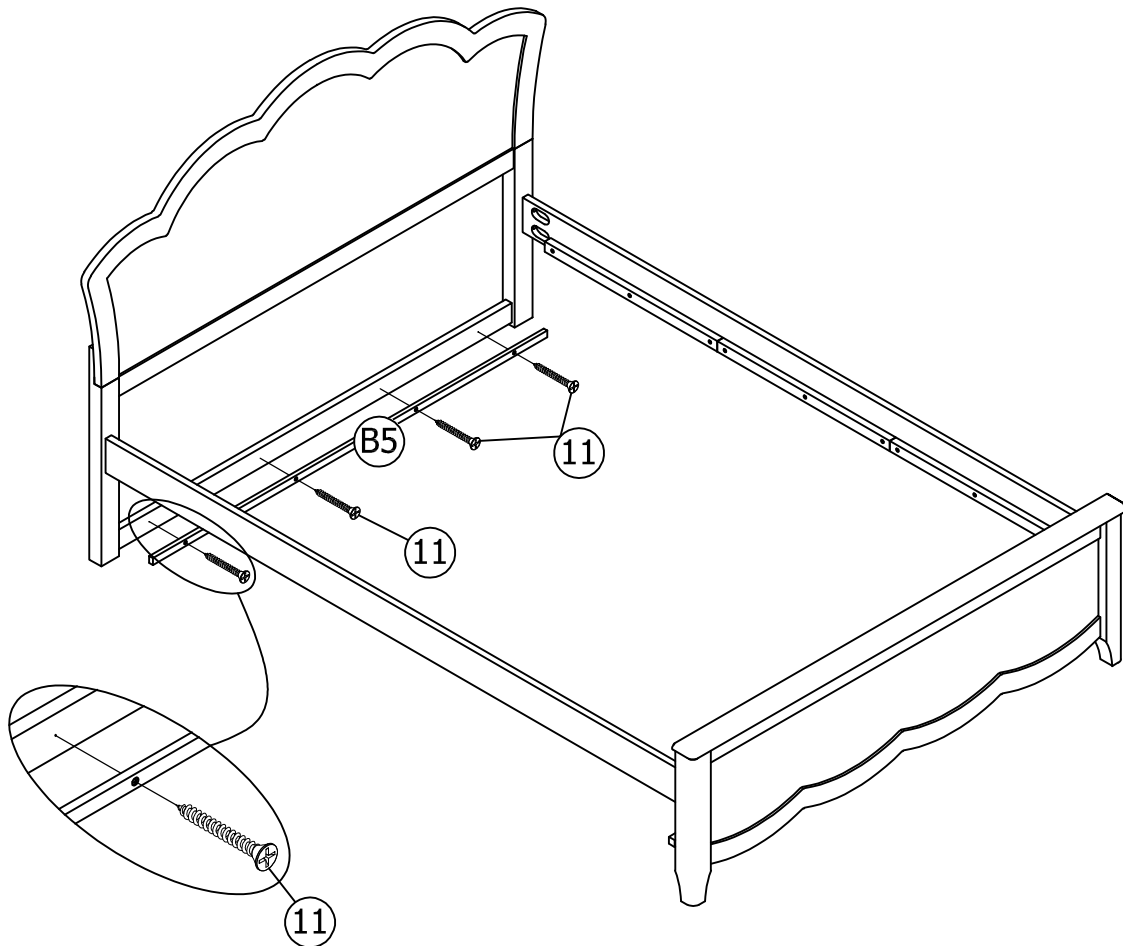


STEP10: Following below illustration.

11



4(pcs)

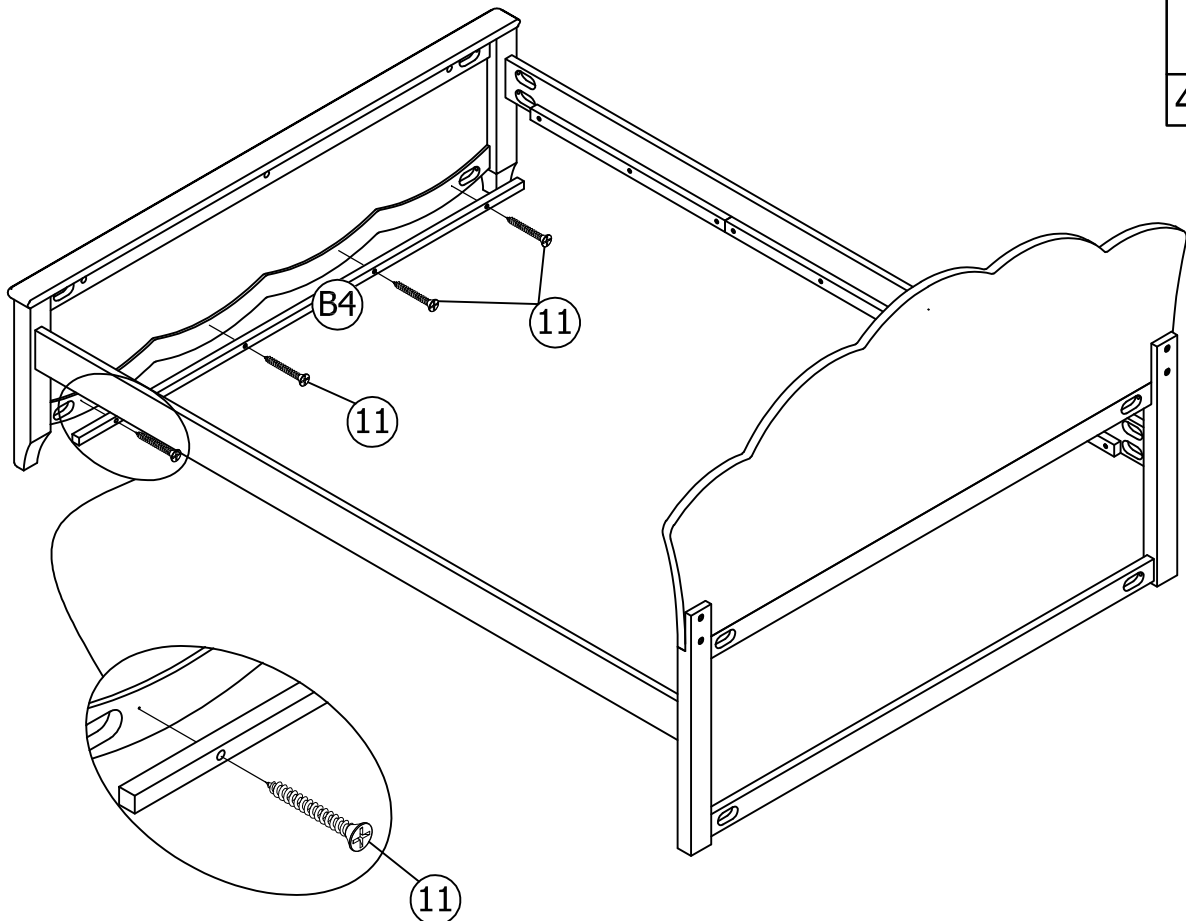


STEP11: Following below illustration.

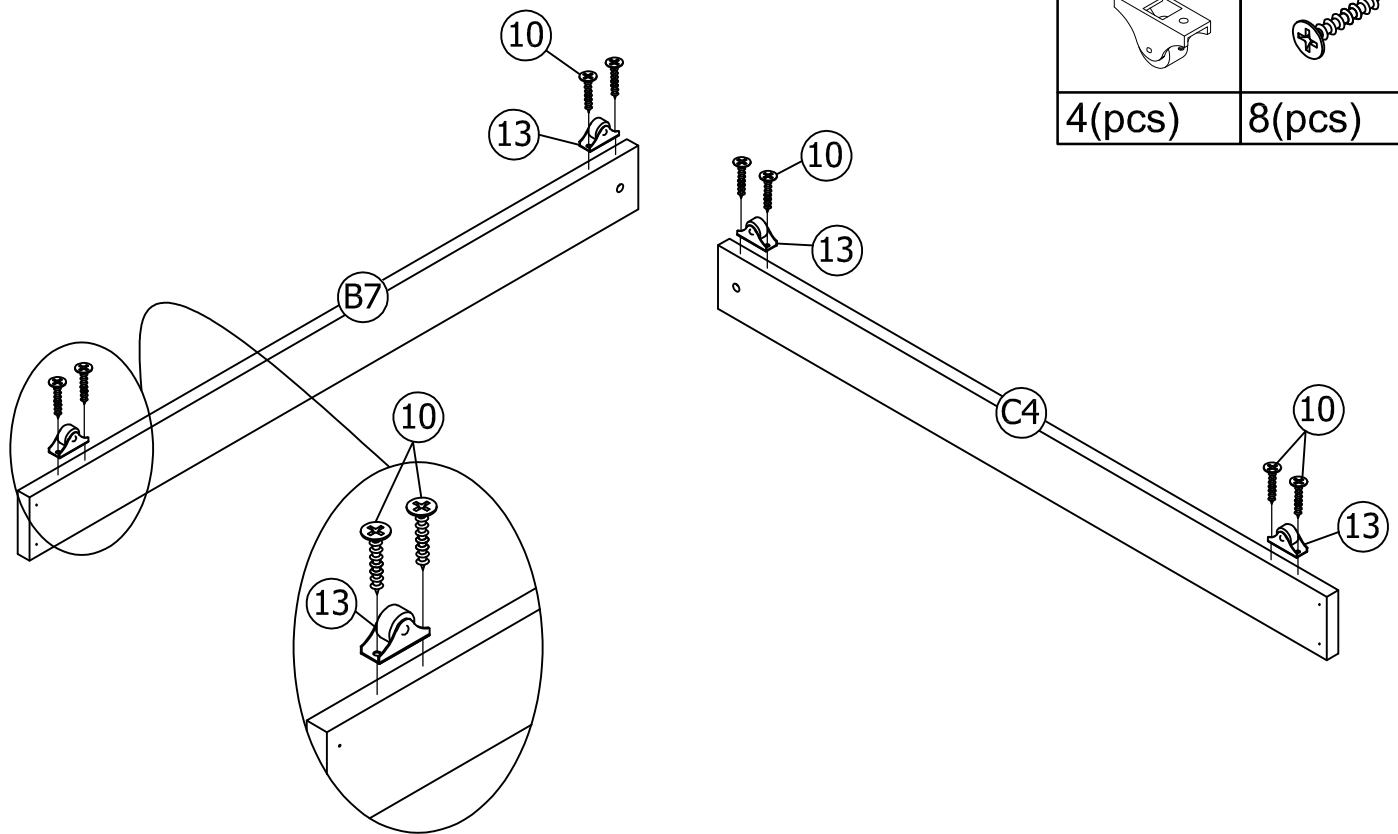
11

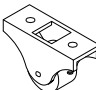
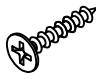


4(pcs)

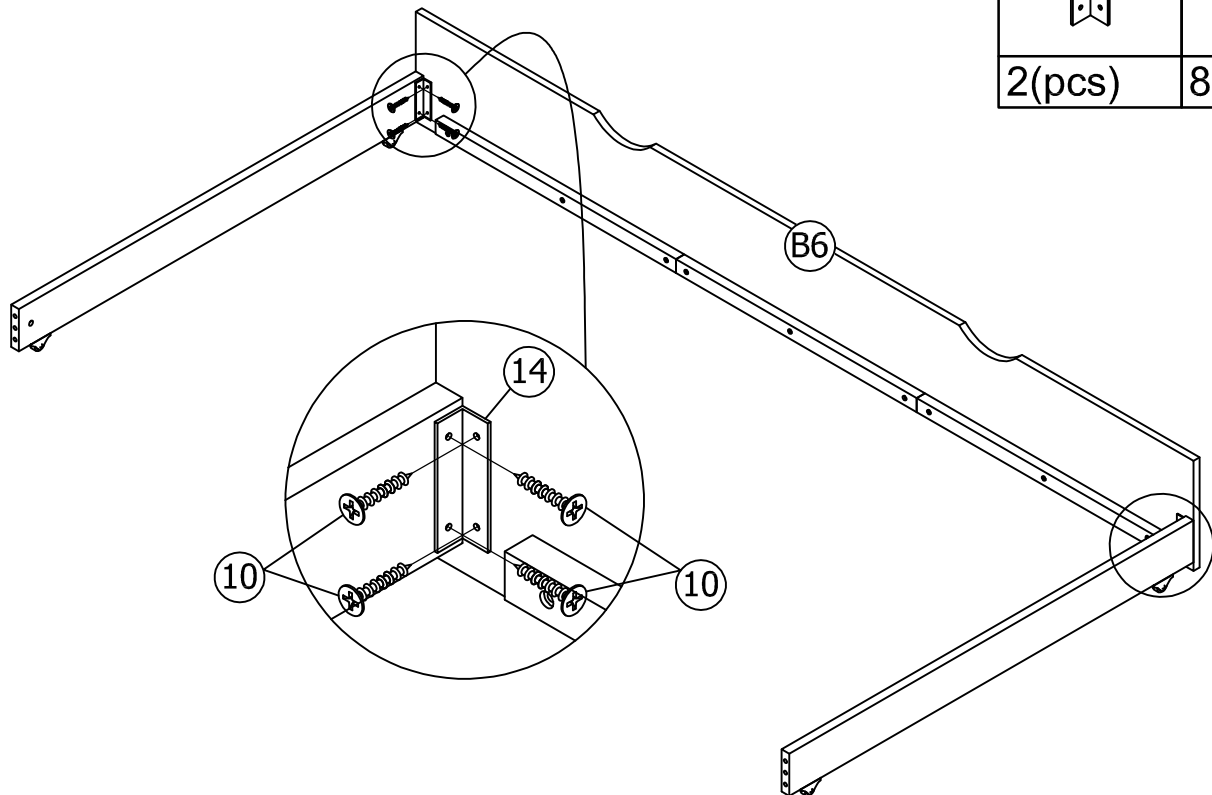



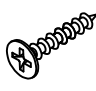
STEP12: Following below illustration.






13	10
	
4(pcs)	8(pcs)

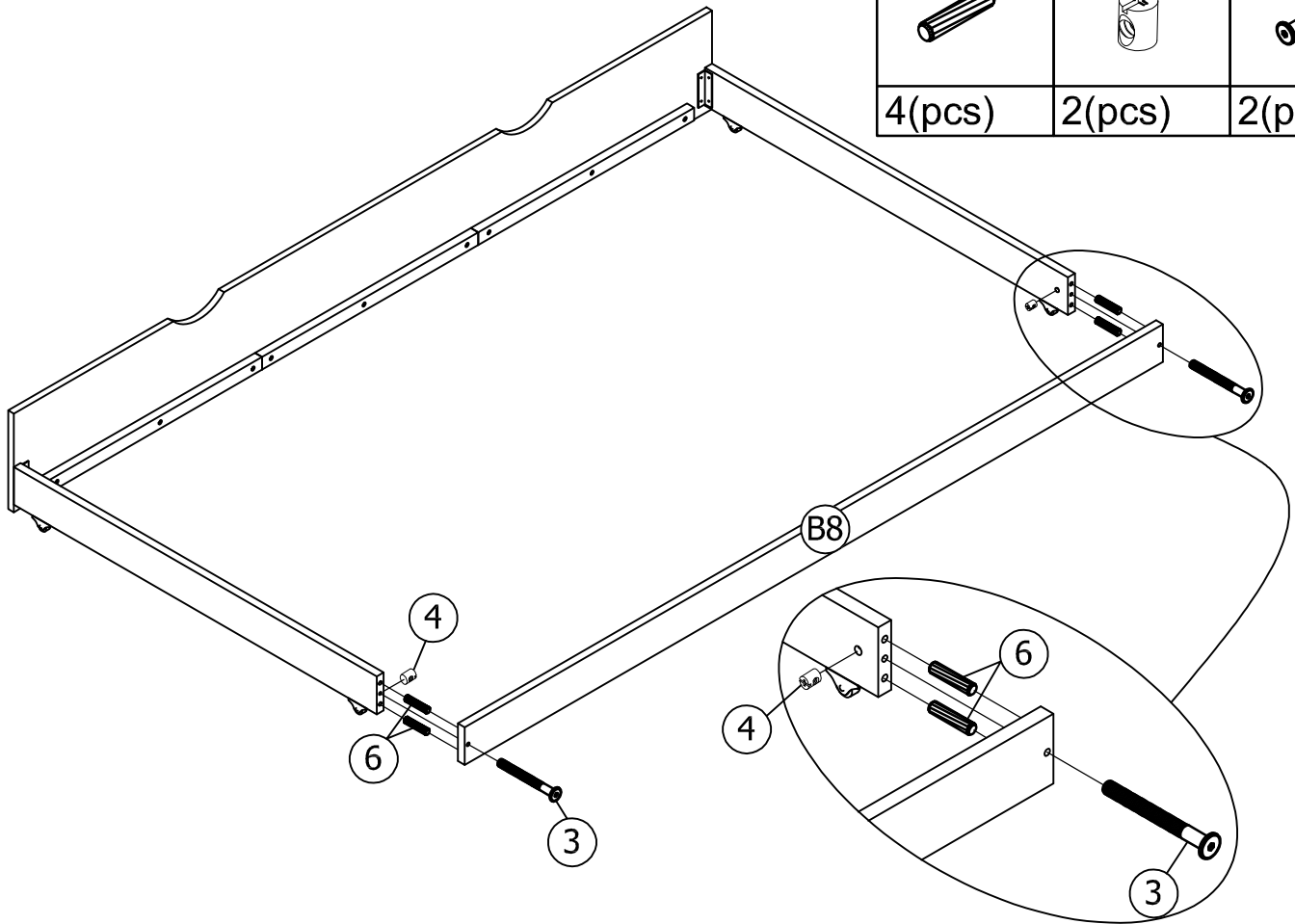
STEP13: Following below illustration.




14	10
	
2(pcs)	8(pcs)

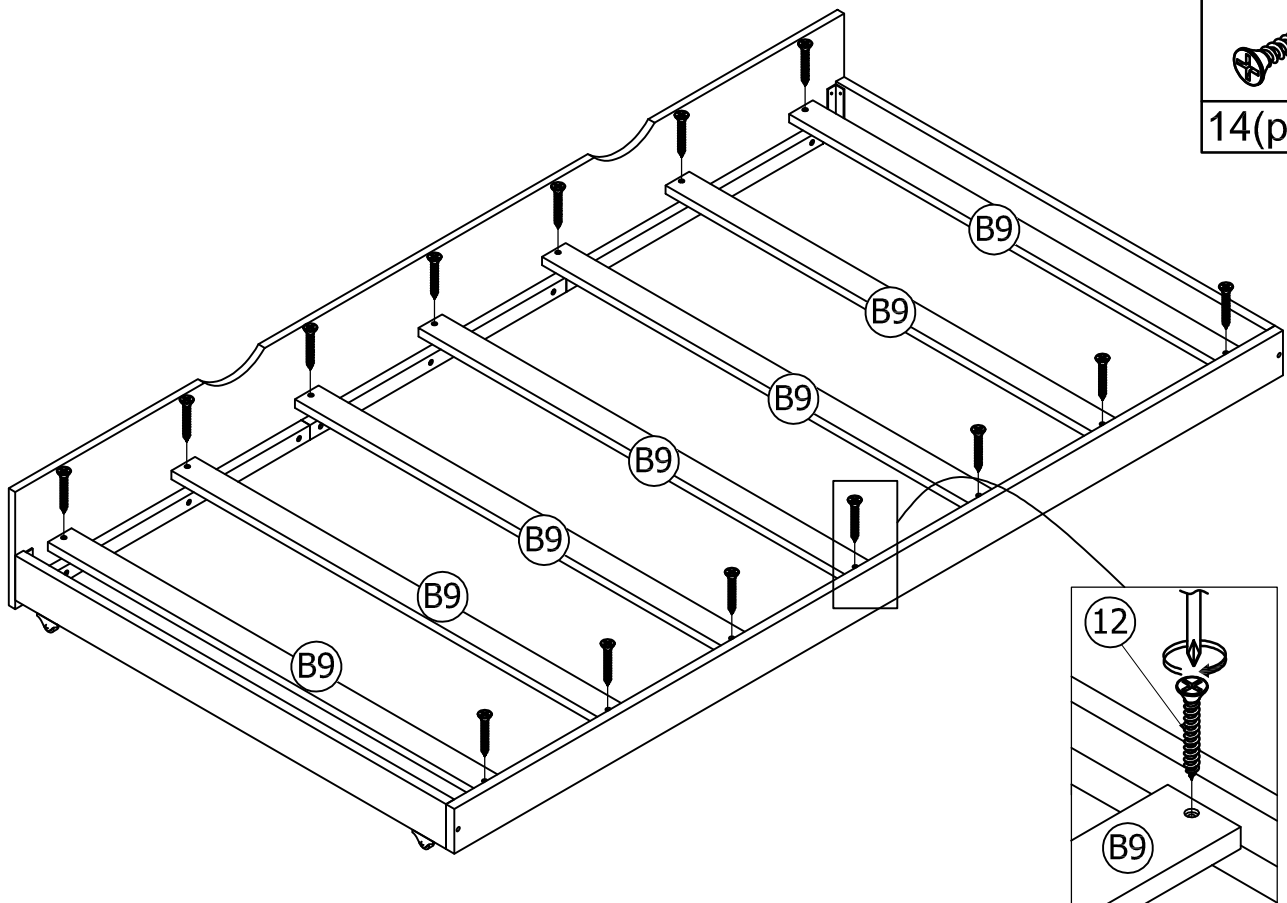
STEP14: Following below illustration.

6	4	3
		
4(pcs)	2(pcs)	2(pcs)



STEP15: Following below illustration.

12

14(pcs)

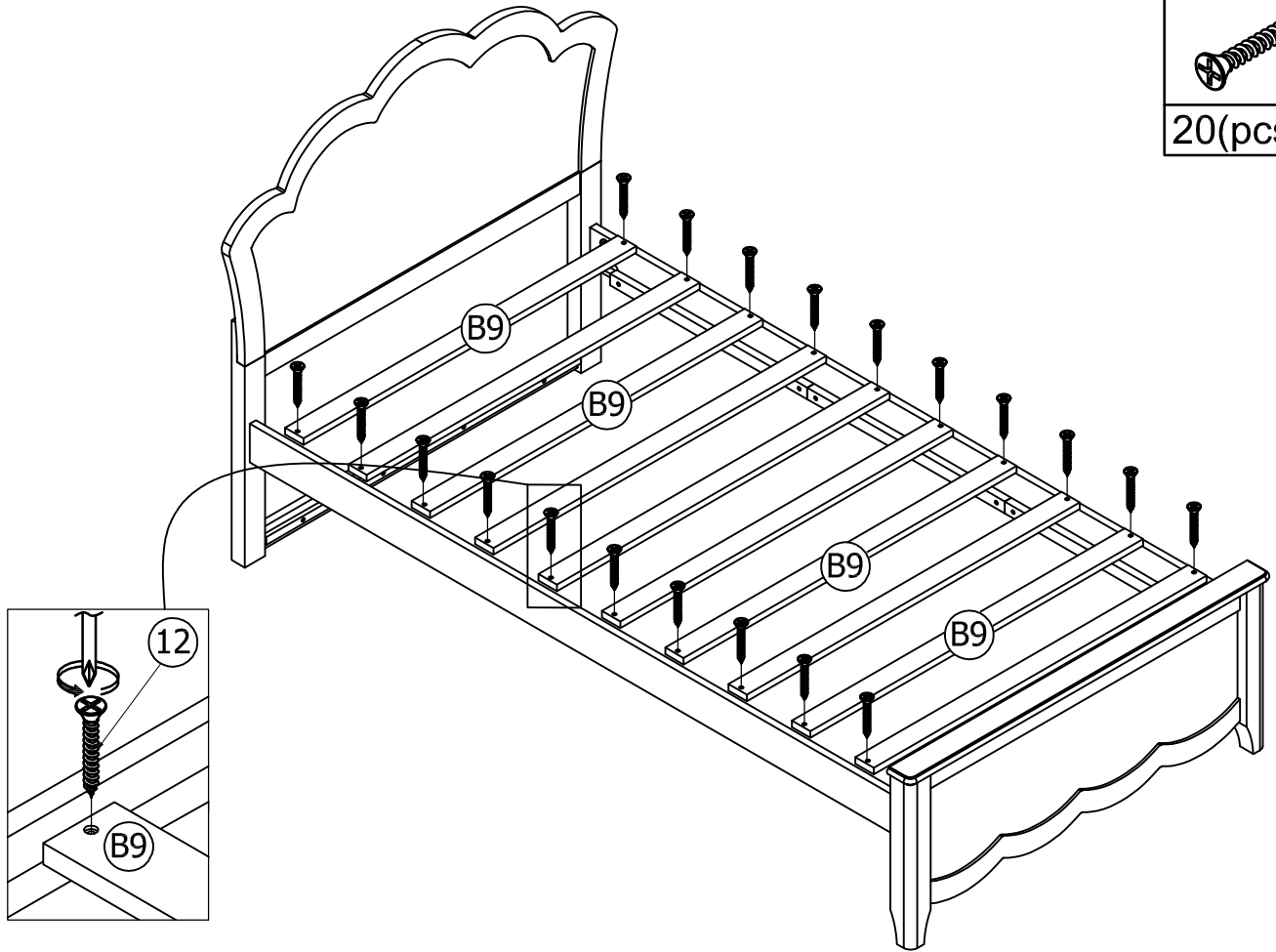


STEP16: Following below illustration.

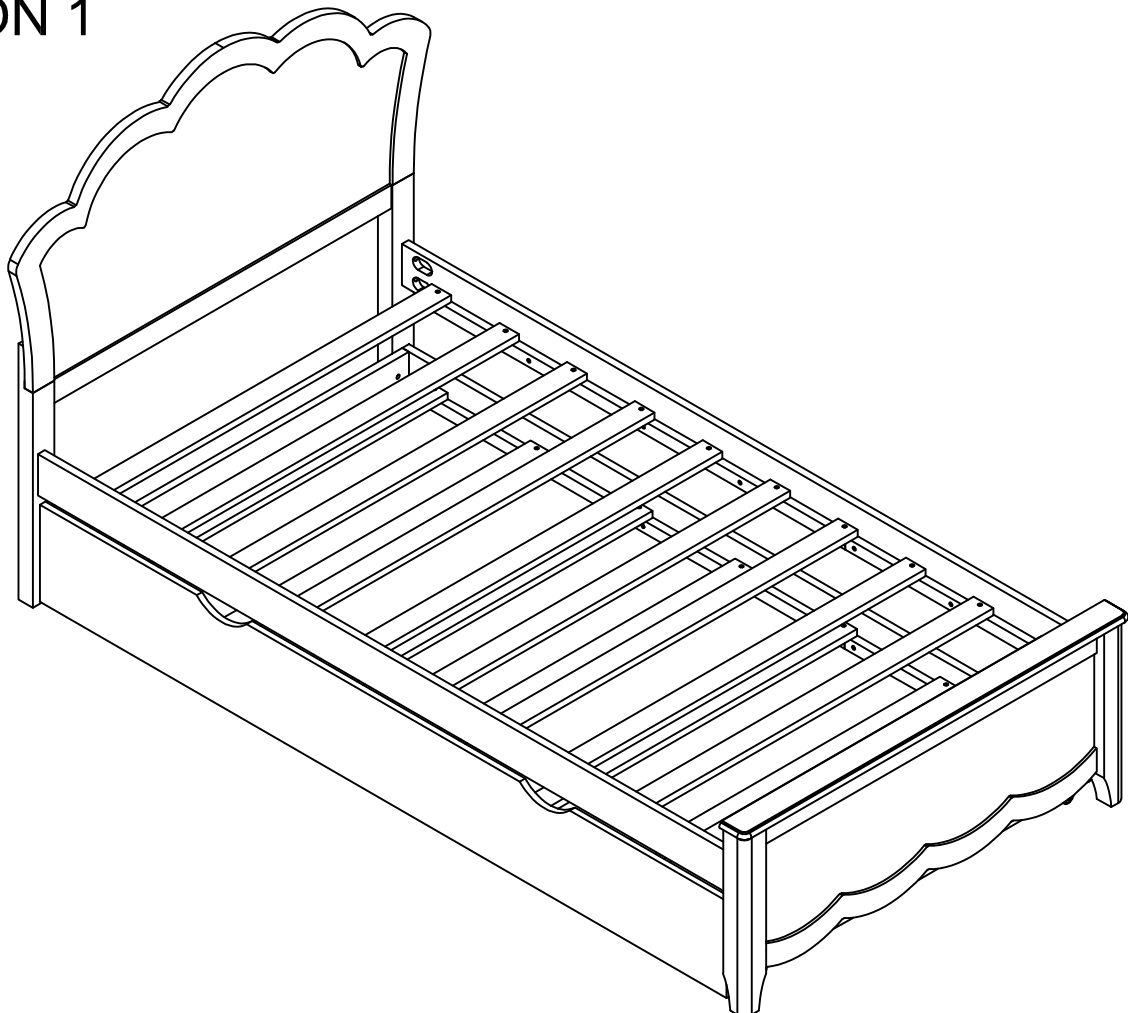
12



20(pcs)

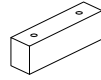


OPTION 1



STEP17: Following below illustration.

15

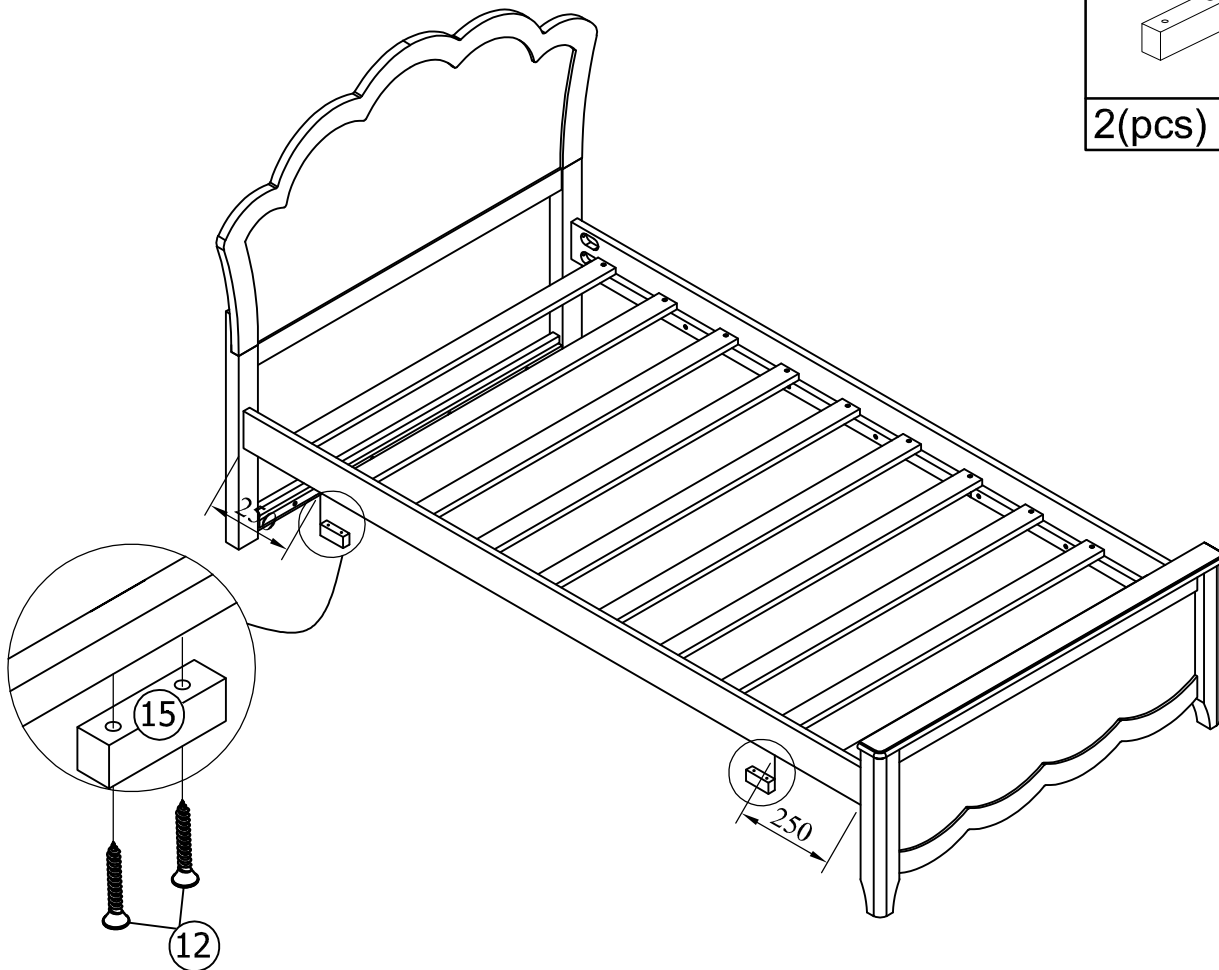


2(pcs)

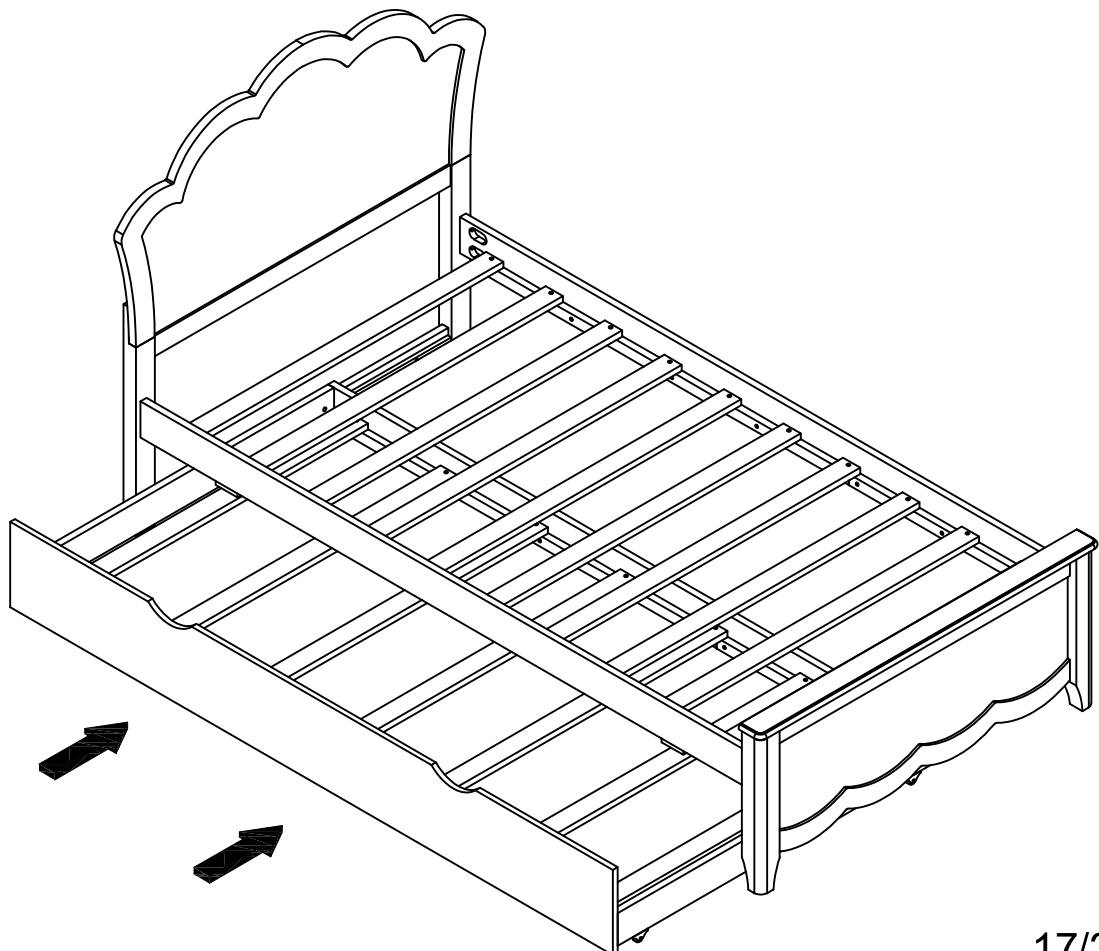
12



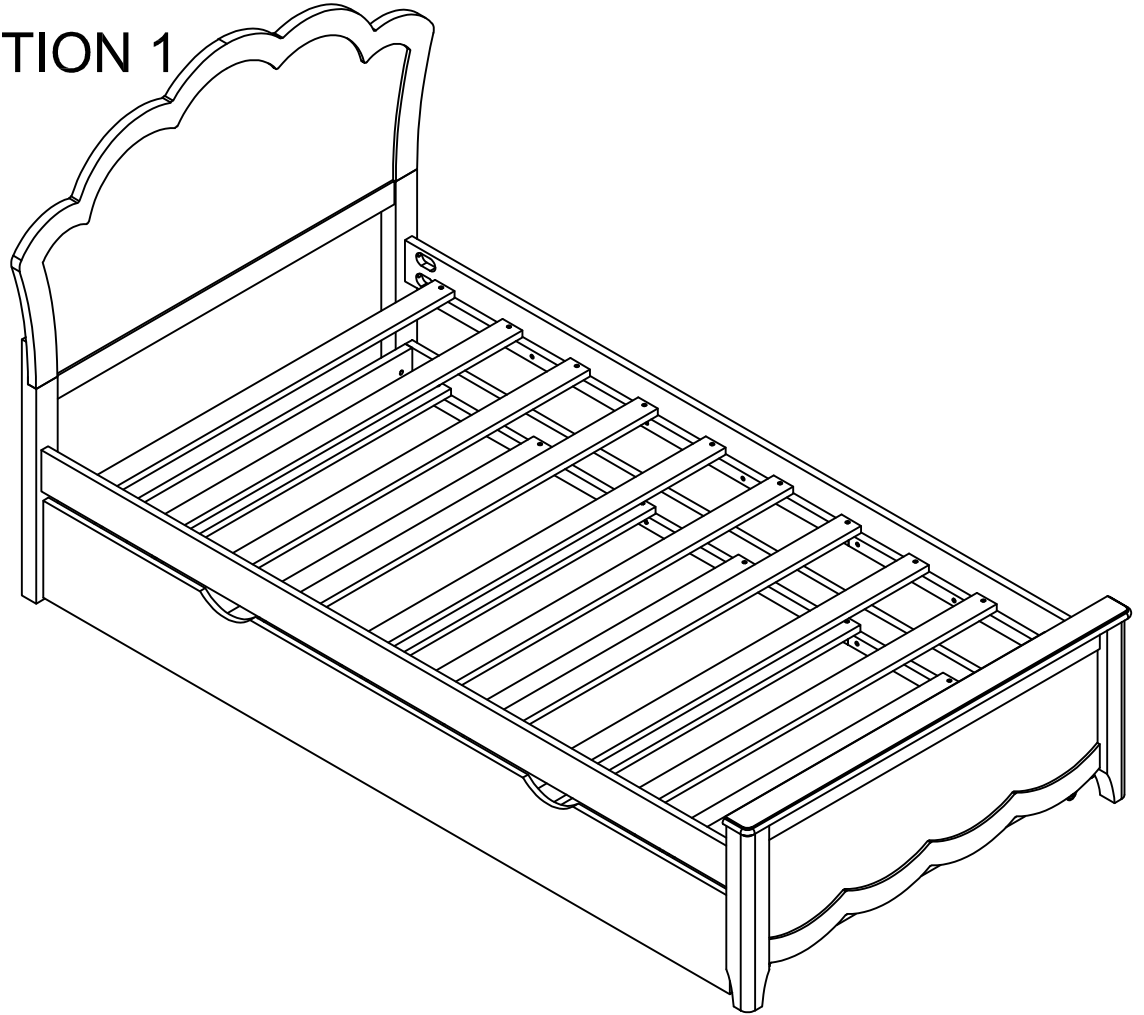
4(pcs)



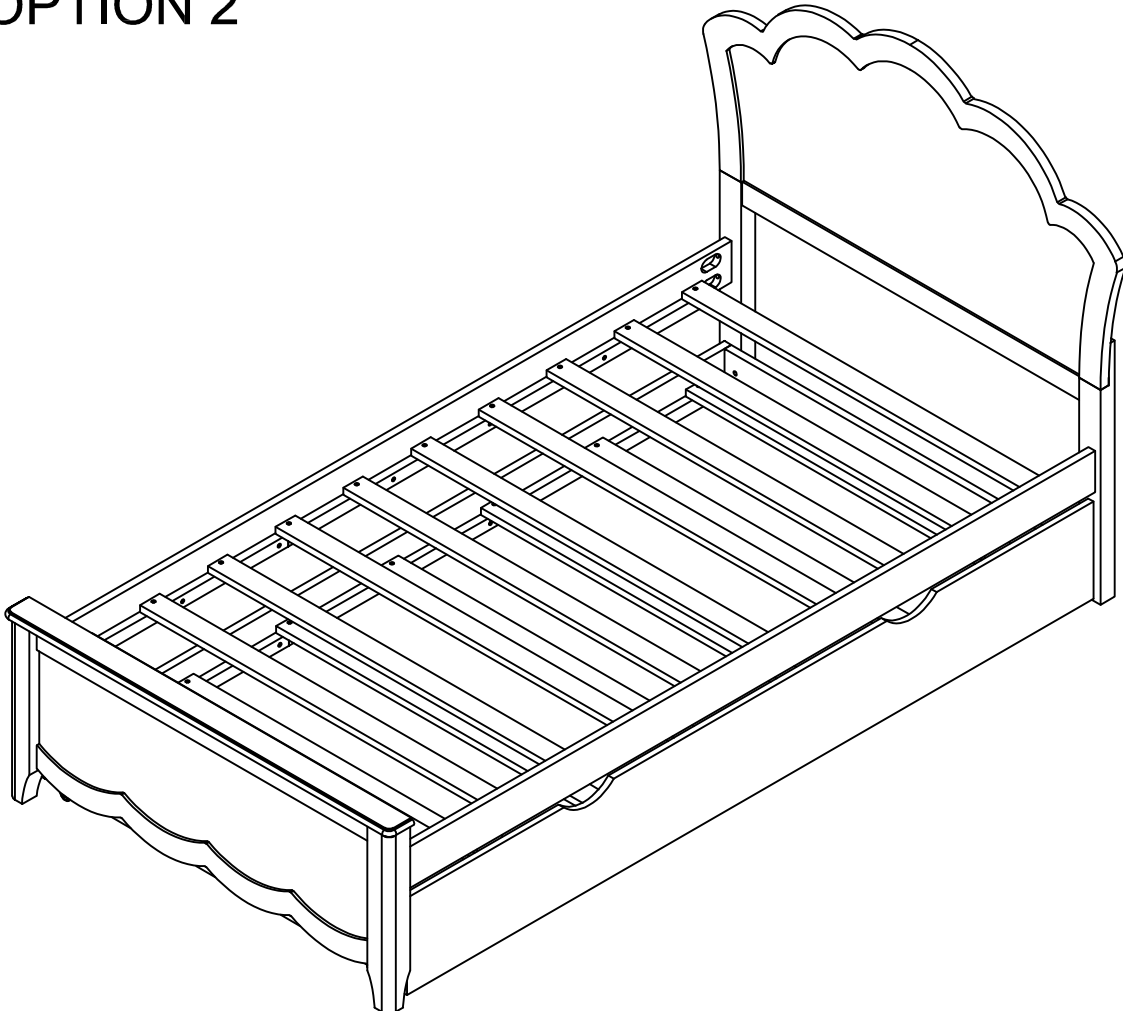
STEP18: Following below illustration.



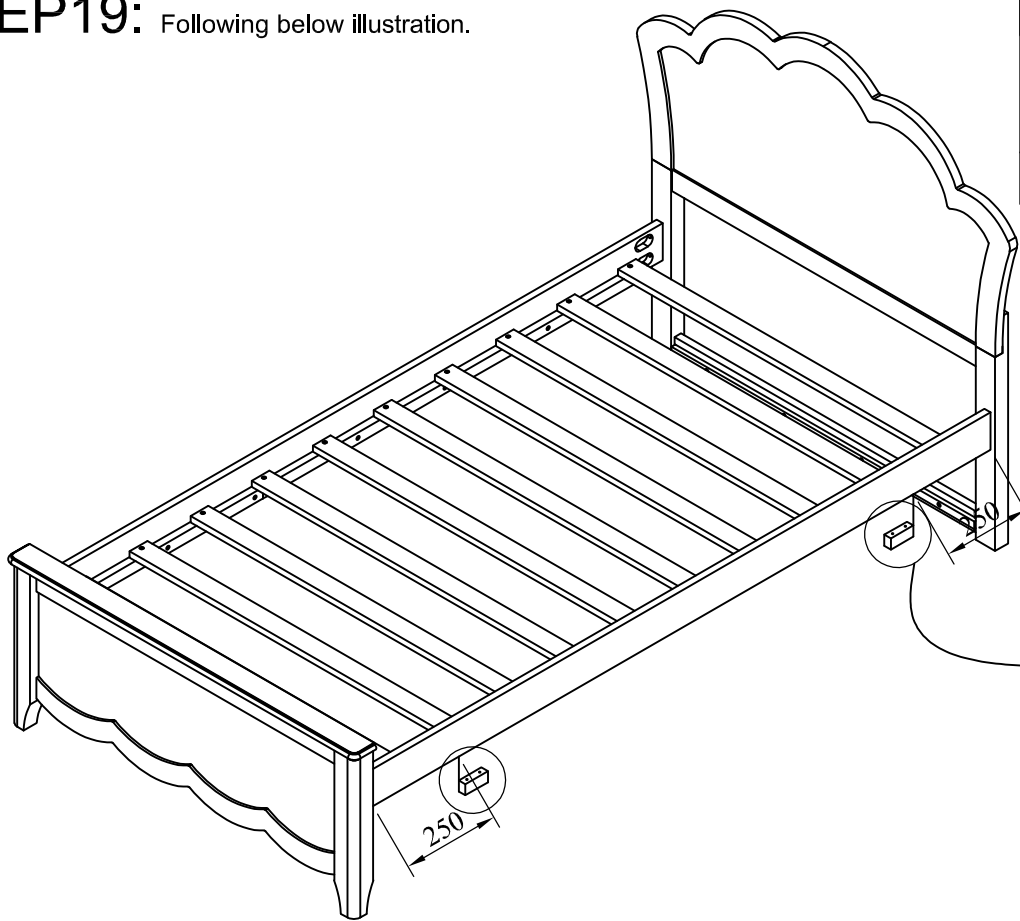
FINISH: OPTION 1



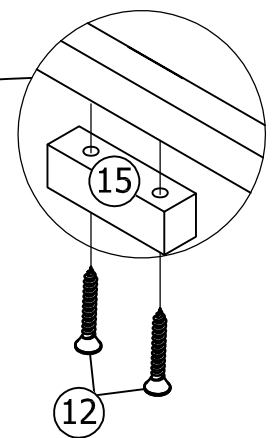
OPTION 2



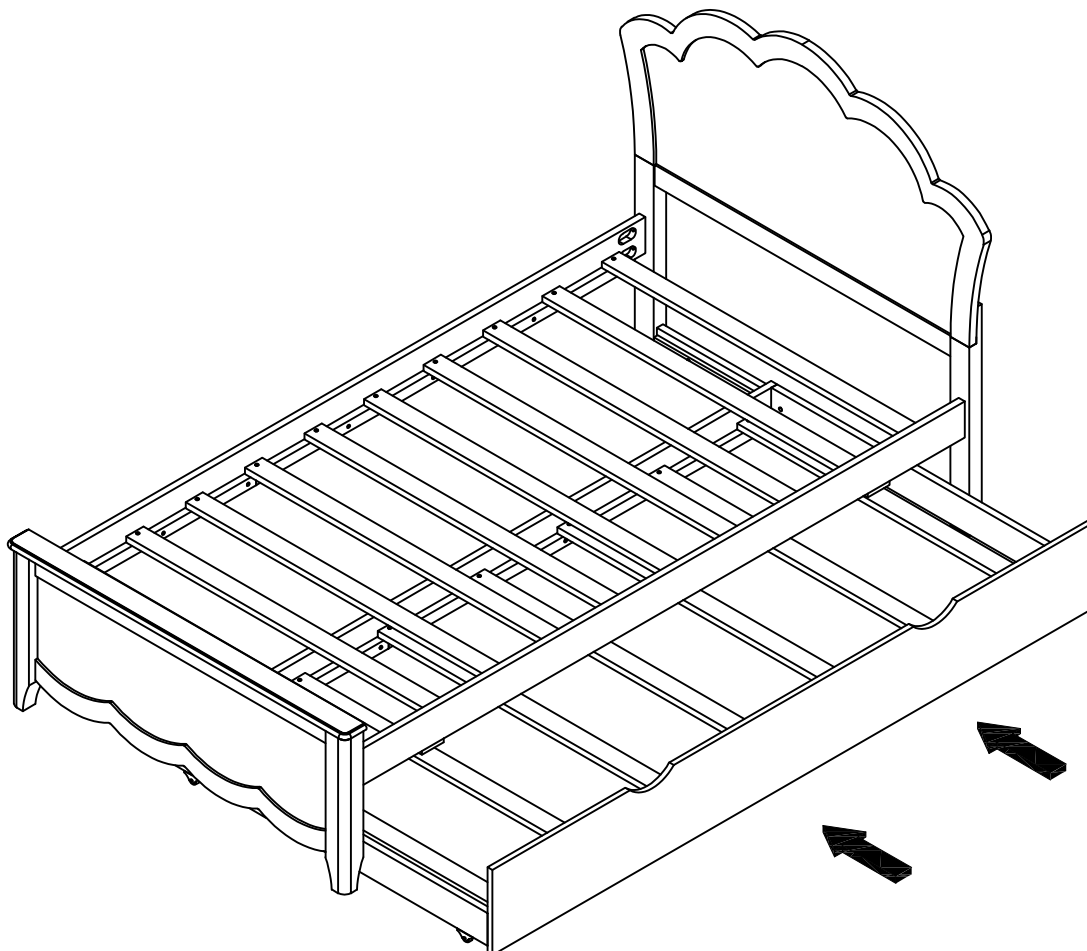
STEP19: Following below illustration.



15	12
2(pcs)	4(pcs)



STEP20: Following below illustration.



FINISH: OPTION 2

