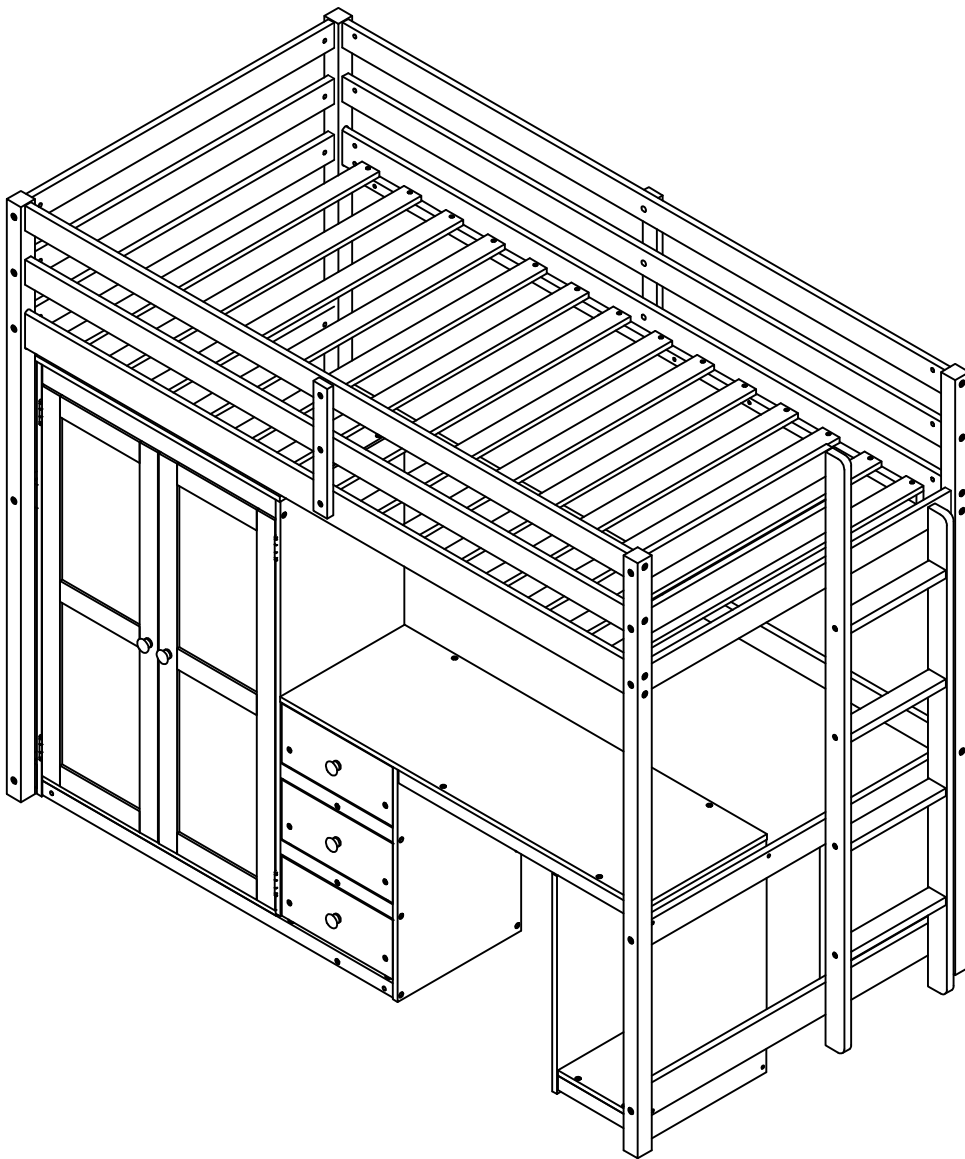


# ASSEMBLY INSTRUCTIONS

## TWIN LOFT BED WITH DESK AND WARDROBE



**WF531206/WF531207**



# **SAFETY WARNING**



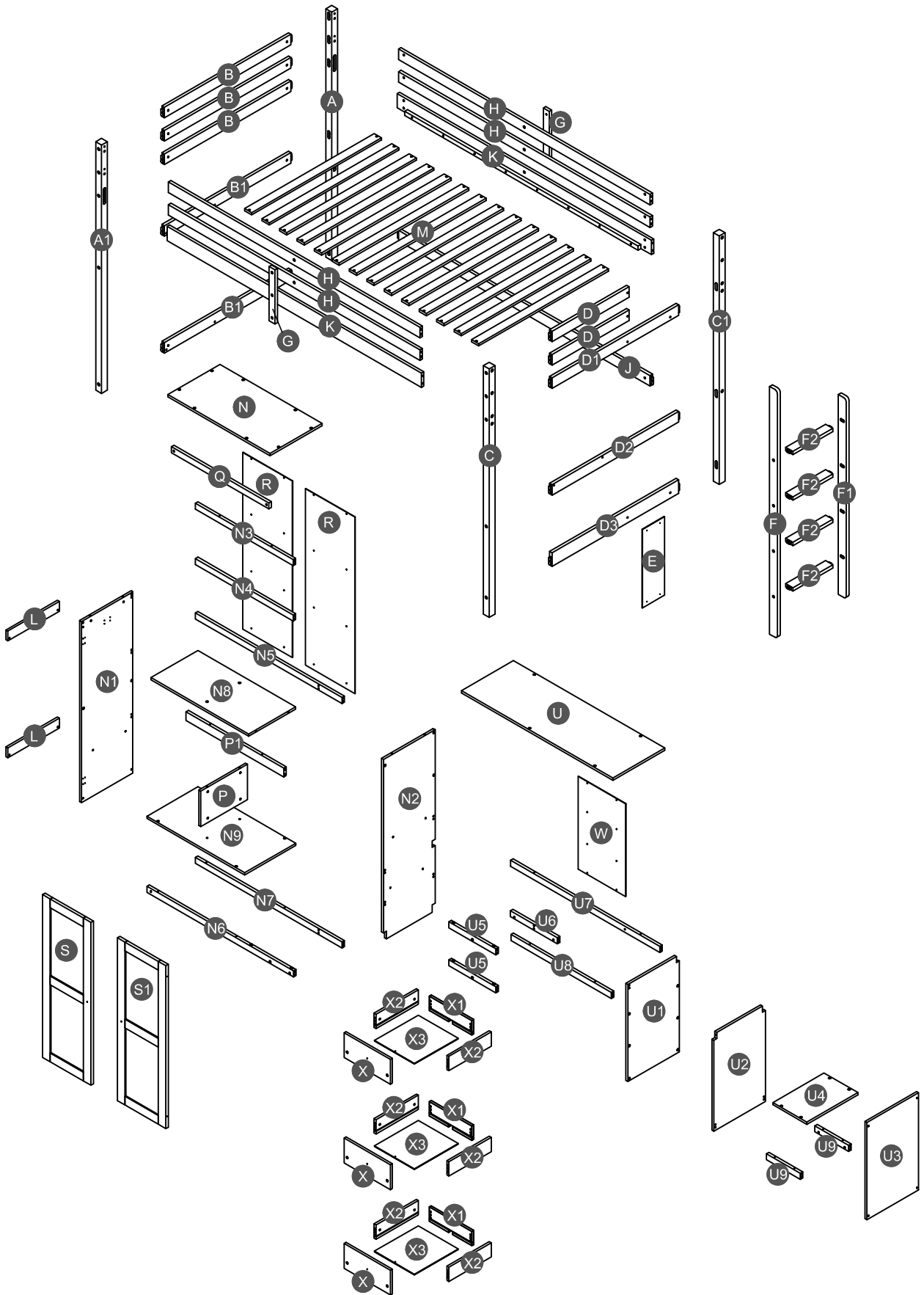
1. This bed is designed for use only mattress (es) meeting the following specifications on the upper bunk.

Upper bunk (Bunk bed and tribed included)

Bed type	Length	Width	Thickness
Twin Standard	74"-75"	38 1/2"	6"



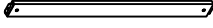
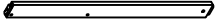
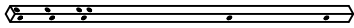
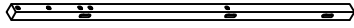


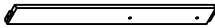
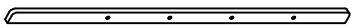

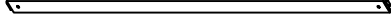


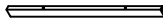
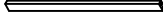
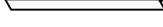
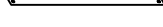

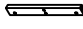
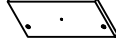

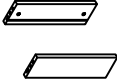
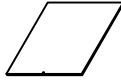
2. Replacement parts, including additional guardrails, maybe obtained from any of our (GIGACLOUD TECHNOLOGY (USA) INC . 18961 ARENTH AVENUE, CITY OF INDUSTRY , CA, 91748.) dealers
3. Follow the information on the warnings appearing on the upper bunk bed end structure and on the carton. Do not remove warning label from bed.
4. Always use the recommended size mattresses or mattress supports, or both, to help prevent the likelihood of entrapment or falls.
5. Surface of mattress must be at least 5" (127mm) below the upper edge of guardrails.
6. Do not allow children under 6 years of age to use the upper bunk.
7. Periodically check and ensure that the guardrail, ladder, and other components are in their proper position, free from damage, and that all connectors are tight.
8. Do not allow horseplay on or under the bed and prohibit jumping on the bed.
9. Always use the ladder for entering and leaving the upper bunk.
10. Do not use substitute part. Contact the manufacture or dealer for replacement part.
11. Use of a night light may provide added safety precaution for a child using the upper bunk.
12. Always use guardrails on both long sides of the upper bunk. If the bunk bed will be placed next to the wall, the guardrail that runs the full length of the bed should be placed against the wall to prevent entrapment between the bed and wall.
13. The use of water or sleep flotation mattresses is prohibited.
14. STRANGULATION HAZARD - Never attach or hang items to any part of the bunk bed that are not designed for use with the bed; for example, but not limited to, hook, belts and jump ropes.
15. Keep these instruction for future reference.
16. Prohibit more than one person on upper bunk
17. We recommend assembling your bunk bed on the shipping carton to protect your floor or carpet.
18. Be certain all staples are out of the box before beginning assembly on the shipping carton.

# Detail View



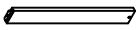
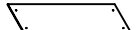
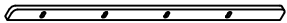
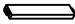







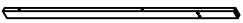

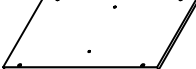



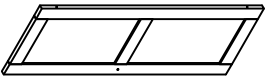
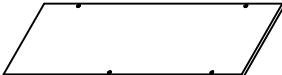


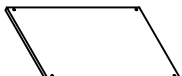



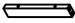

# Part List

WF531206

<p><b>A</b></p>  <p>Leg HB (Left back) - 1pc</p>	<p><b>A1</b></p>  <p>Leg HB (Left front) - 1pc</p>	<p><b>B</b></p>  <p>Upper horizontal bar HB - 3pcs</p>
<p><b>B1</b></p>  <p>Lower horizontal bar HB - 2pcs</p>	<p><b>C</b></p>  <p>Leg FB (Right front) - 1pc</p>	<p><b>C1</b></p>  <p>Leg FB (Right back) - 1pc</p>
<p><b>D1</b></p>  <p>Upper horizontal bar FB - 1pc</p>	<p><b>D2</b></p>  <p>Divider horizontal bar FB - 1pc</p>	<p><b>D3</b></p>  <p>Lower horizontal bar FB - 1pc</p>
<p><b>F</b></p>  <p>Ladder (left) - 1pc</p>	<p><b>H</b></p>  <p>Long guard rail - 4pcs</p>	<p><b>J</b></p>  <p>Lower horizontal bar - 1pc</p>
<p><b>K</b></p>  <p>Side rail - 2pcs</p>	<p><b>M</b></p>  <p>Slat - 14pcs</p>	<p><b>N3</b></p>  <p>Upper horizontal bar (Back) - 1pc</p>
<p><b>N4</b></p>  <p>Divider horizontal bar (Back) - 1pc</p>	<p><b>P1</b></p>  <p>Upper horizontal bar (Front) - 1pc</p>	<p><b>Q</b></p>  <p>Hanging bar - 1pc</p>
<p><b>U5</b></p>  <p>Lower horizontal bar (Front) - 2pcs</p>	<p><b>U6</b></p>  <p>Lower horizontal bar (Back) - 1pc</p>	<p><b>X</b></p>  <p>Front drawer panel - 3pcs</p>
<p><b>X1</b></p>  <p>Back drawer panel - 3pcs</p>	<p><b>X2</b></p>  <p>Left / right drawer panel - 6pcs</p>	<p><b>X3</b></p>  <p>Drawer bottom - 3pcs</p>

# Part List

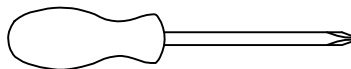
**WF531207 + Hardware inside**

<p><b>D</b></p>  <p>Upper horizontal bar FB - 2pcs</p>	<p><b>E</b></p>  <p>Side panel FB - 1pc</p>	<p><b>F1</b></p>  <p>Ladder (right) - 1pc</p>
<p><b>F2</b></p>  <p>Step ladder - 4pcs</p>	<p><b>G</b></p>  <p>Vertical guard rail - 2pcs</p>	<p><b>L</b></p>  <p>Support - 2pcs</p>
<p><b>N</b></p>  <p>Top panel - 1pc</p>	<p><b>N1</b></p>  <p>Side panel (Left) - 1pc</p>	<p><b>N2</b></p>  <p>Side panel (Right) - 1pc</p>
<p><b>N5</b></p>  <p>Divider horizontal bar (Back) - 1pc</p>	<p><b>N6</b></p>  <p>Lower horizontal bar (Front) - 1pc</p>	<p><b>N7</b></p>  <p>Lower horizontal bar (Back) - 1pc</p>
<p><b>N8</b></p>  <p>Shelf panel - 1pc</p>	<p><b>N9</b></p>  <p>Bottom panel - 1pc</p>	<p><b>P</b></p>  <p>Divider panel - 1pc</p>
<p><b>R</b></p>  <p>Back panel - 2pcs</p>	<p><b>S</b></p>  <p>Door (Left) - 1pc</p>	<p><b>S1</b></p>  <p>Door (Right) - 1pc</p>
<p><b>U</b></p>  <p>Top table - 1pc</p>	<p><b>U1</b></p>  <p>Side panel (Left) - 1pc</p>	<p><b>U2</b></p>  <p>Divider side panel - 1pc</p>
<p><b>U3</b></p>  <p>Side panel (Right) - 1pc</p>	<p><b>U4</b></p>  <p>Bottom panel - 1pc</p>	<p><b>U7</b></p>  <p>Upper horizontal bar (Back) - 1pc</p>
<p><b>U8</b></p>  <p>Upper horizontal bar (Front) - 1pc</p>	<p><b>U9</b></p>  <p>Lower horizontal bar (Right) - 2pcs</p>	<p><b>W</b></p>  <p>Back panel - 1pc</p>

## Hardware List WF531207

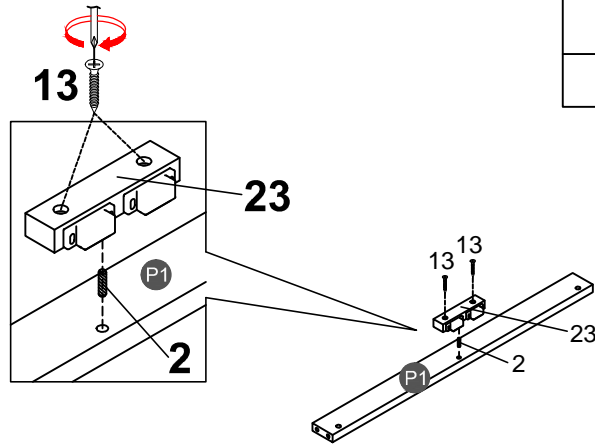
<b>1</b>  Ø10*40mm Wood dowel (8pcs)	<b>2</b>  Ø8*30mm Wood dowel (53pcs)	<b>3</b>  (Ø15)1/4"*100mm Hex-Head bolts (20pcs)
<b>4</b>  (Ø15)1/4"*80mm Hex-Head bolts (20pcs)	<b>5</b>  (Ø12)1/4"*60mm Hex-Head bolts (60pcs)	<b>6</b>  (Ø12)1/4"*40mm Hex-Head bolts (8pcs)
<b>7</b>  (Ø12)1/4"*30mm Hex-Head bolts (6pcs)	<b>8</b>  (Ø12)1/4"*15mm Hex-Head bolts (2pcs)	<b>9</b>  1/4"*15 (9.5mm) Horizontal-Hole bolts(100pcs)
<b>10</b>  (Ø12)1/4"*40mm Hex-Head bolts (16pcs)	<b>11</b>  (1/4")4.5*58mm Allen key (2pcs)	<b>12</b>  (Ø13)1/4"*14mm Connect bolt (2pcs)
<b>13</b>  Ø4*30mm Wood screws (30pcs)	<b>14</b>  Ø3.5*15mm Wood screws (28pcs)	<b>15</b>  Ø3.5*15mm Wood screws (49pcs)
<b>16</b>  365*58*28 mm Lower slider drawer (3pcs)	<b>17</b>  340*30mm Upper slider drawer (3pcs)	<b>18</b>  Ø38*31mm Pine Knob (5pcs)
<b>19</b>  3/16"*25mm Ph zinc(Knob) (5pcs)	<b>20</b>  70*37*28mm (135°) Metal bracket (4pcs)	<b>21</b>  42*12*1mm Metal magnet (2pcs)
<b>22</b>  63*40*30*1.2mm Metal bracket (2pcs)	<b>23</b>  140*32*19mm Stopper door (1pc)	




### ASSEMBLY TOOLS REQUIRED ( NOT INCLUDED )



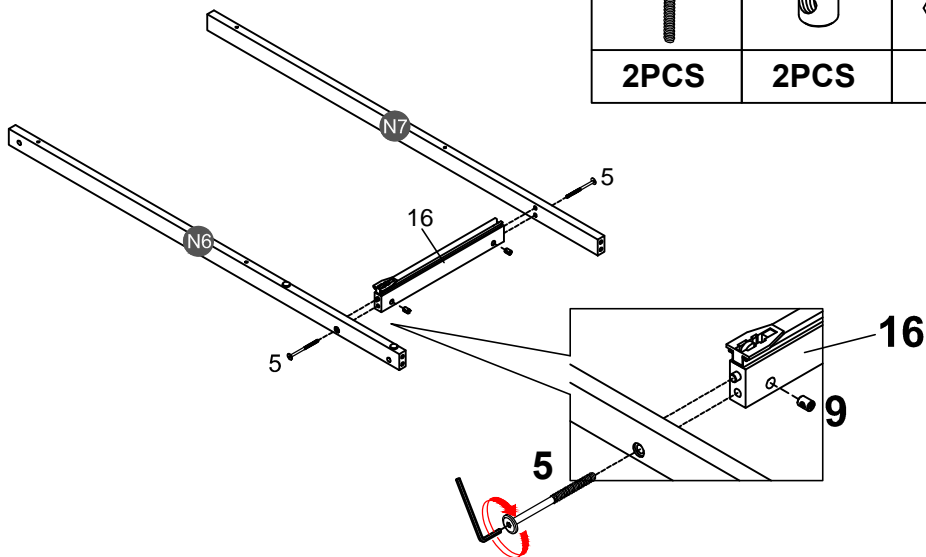
PLEASE BE CAREFUL DO NOT DAMAGE THE HOLE POSITION WHEN YOU USE POWER TOOLS !




**STEP 1:**



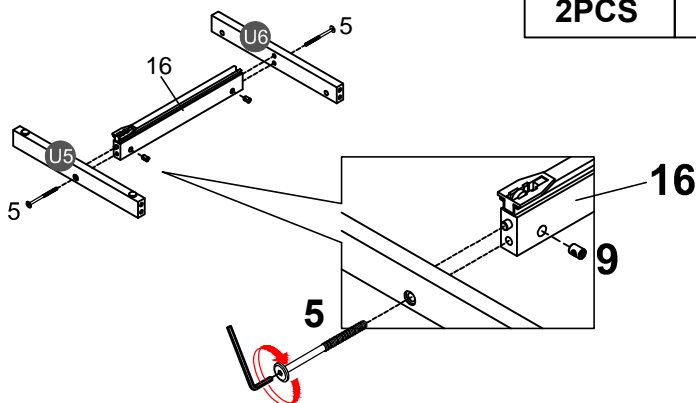
<b>2</b>		<b>13</b>		<b>23</b>	
<b>1PC</b>		<b>2PCS</b>		<b>1PC</b>	




**STEP 2:**





<b>5</b>		<b>9</b>		<b>16</b>	
<b>2PCS</b>		<b>2PCS</b>		<b>1PC</b>	

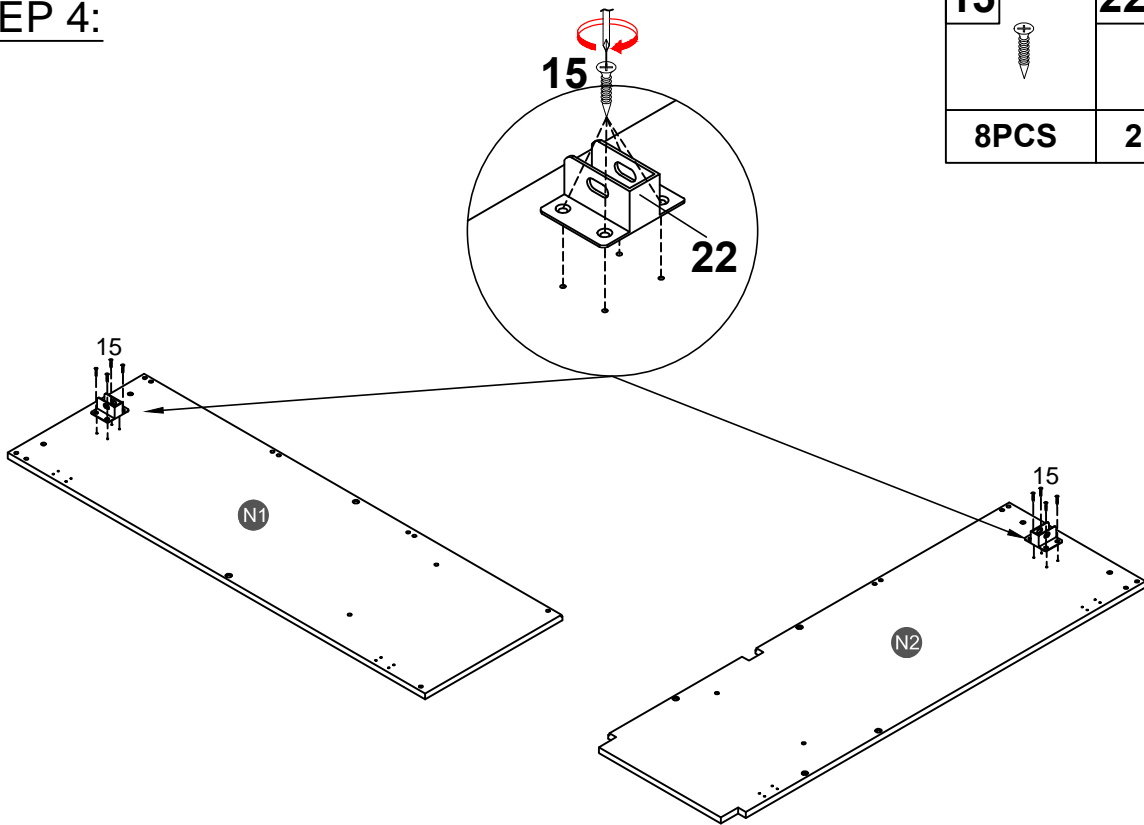
**STEP 3:**




<b>5</b>		<b>9</b>		<b>16</b>	
<b>2PCS</b>		<b>2PCS</b>		<b>1PC</b>	

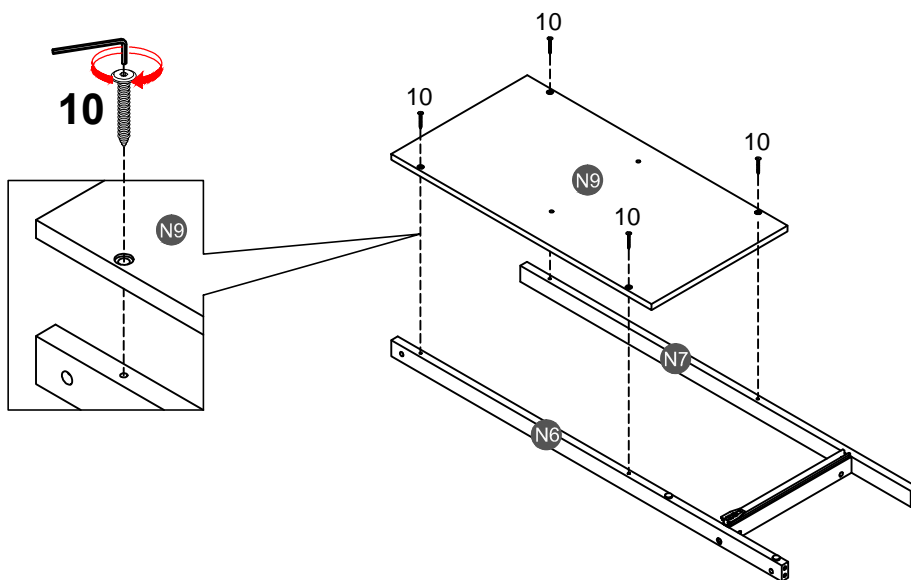
**STEP 4:**

<b>15</b>		<b>22</b>	
<b>8PCS</b>		<b>2PCS</b>	





**STEP 5:**

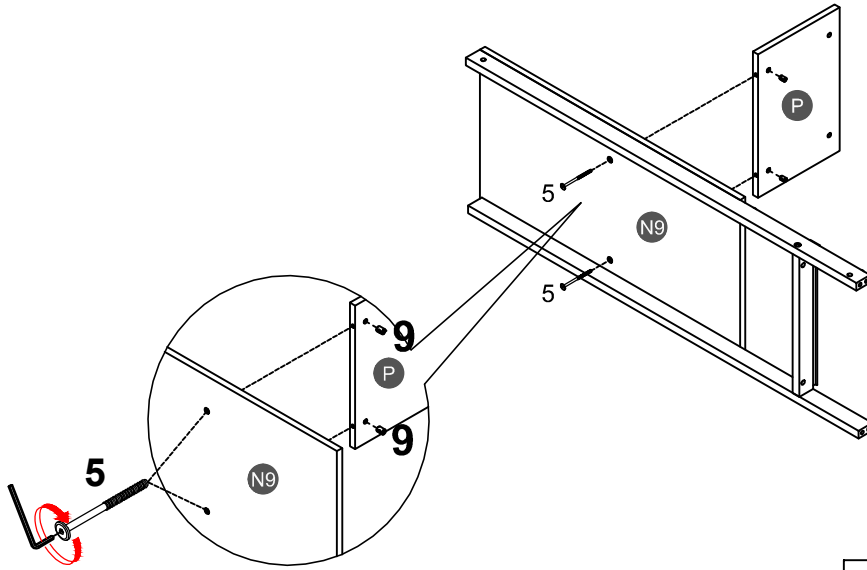
<b>10</b>	
<b>4PCS</b>	



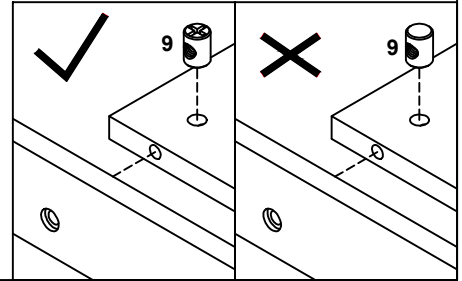


**STEP 6:**

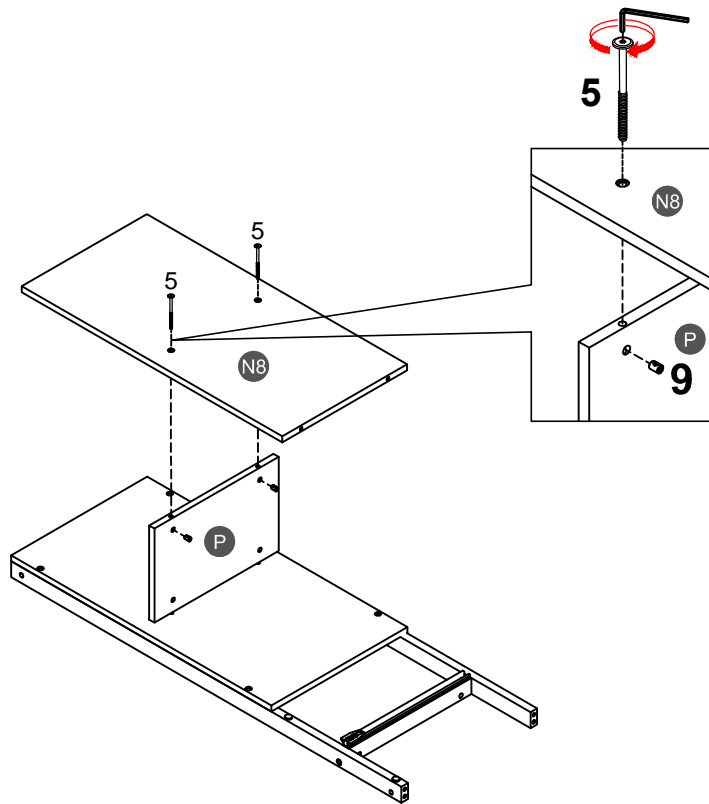
<b>5</b>		<b>9</b>	
<b>2PCS</b>		<b>2PCS</b>	





Note: Part 9 will face up with the "x" mark on it, otherwise it cannot be tightened

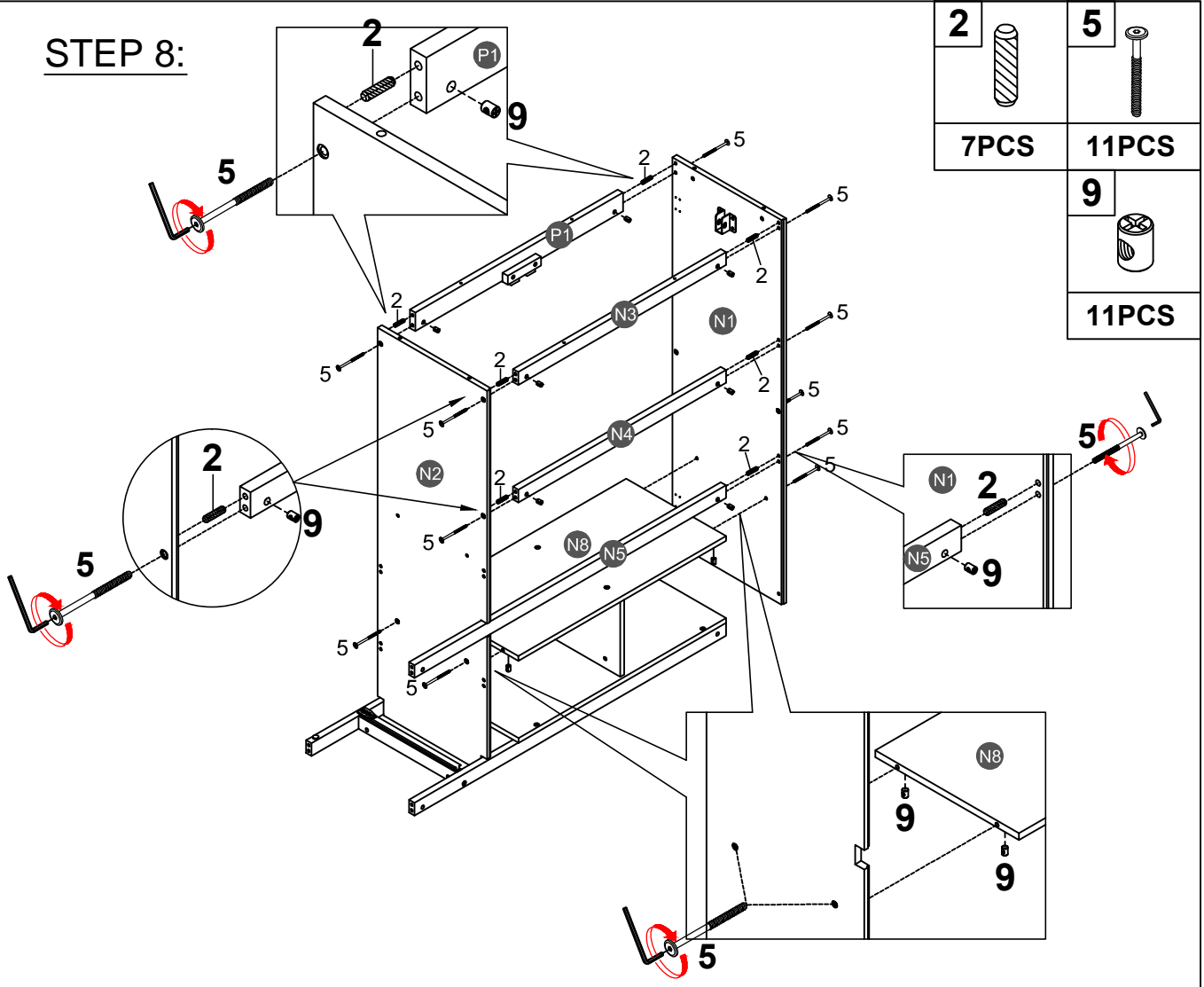


**STEP 7:**

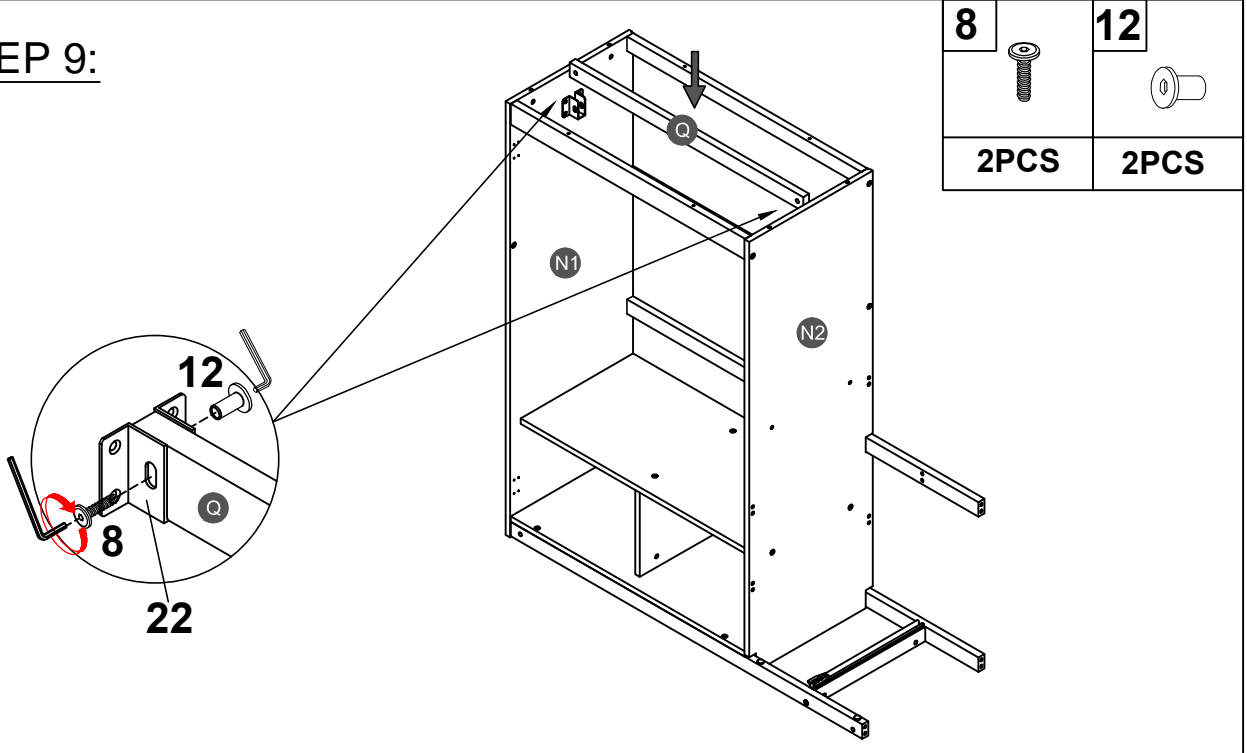


<b>5</b>		<b>9</b>	
<b>2PCS</b>		<b>2PCS</b>	

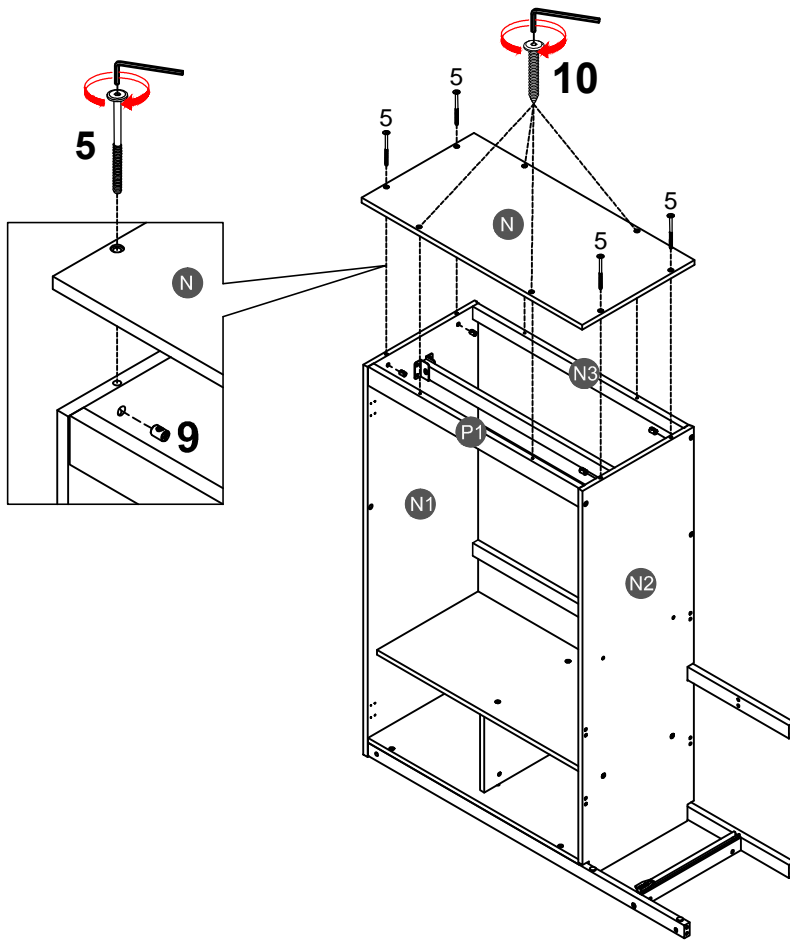
**STEP 8:**






**STEP 9:**

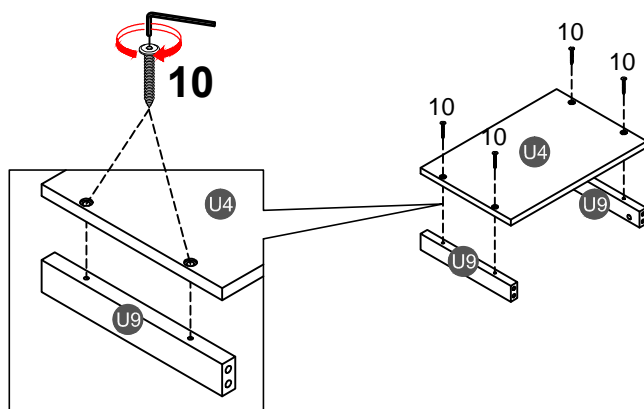



**STEP 10:**






<b>5</b>		<b>9</b>	
<b>4PCS</b>		<b>4PCS</b>	
		<b>10</b>	
		<b>4PCS</b>	

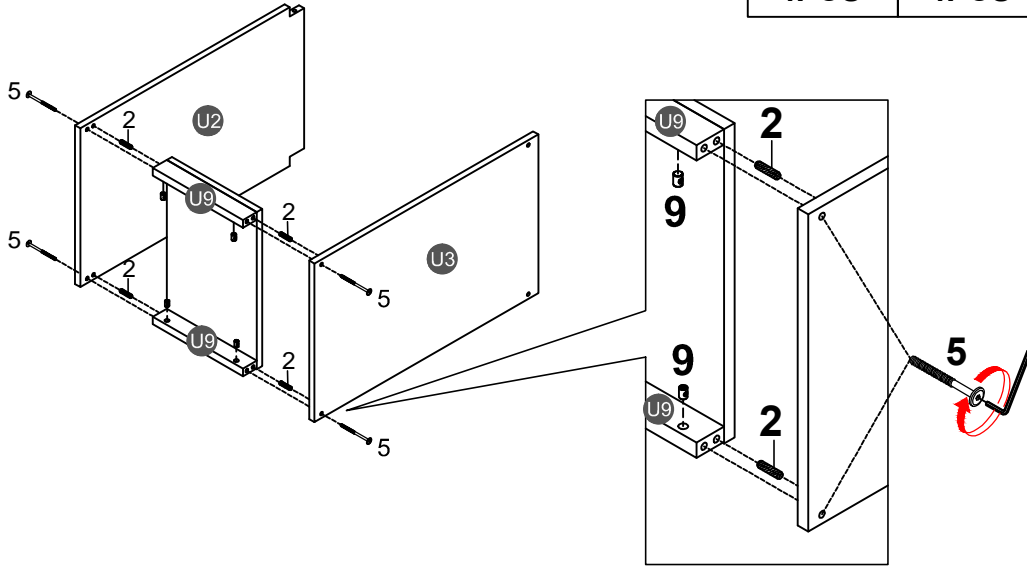
**STEP 11:**



<b>10</b>	
<b>4PCS</b>	

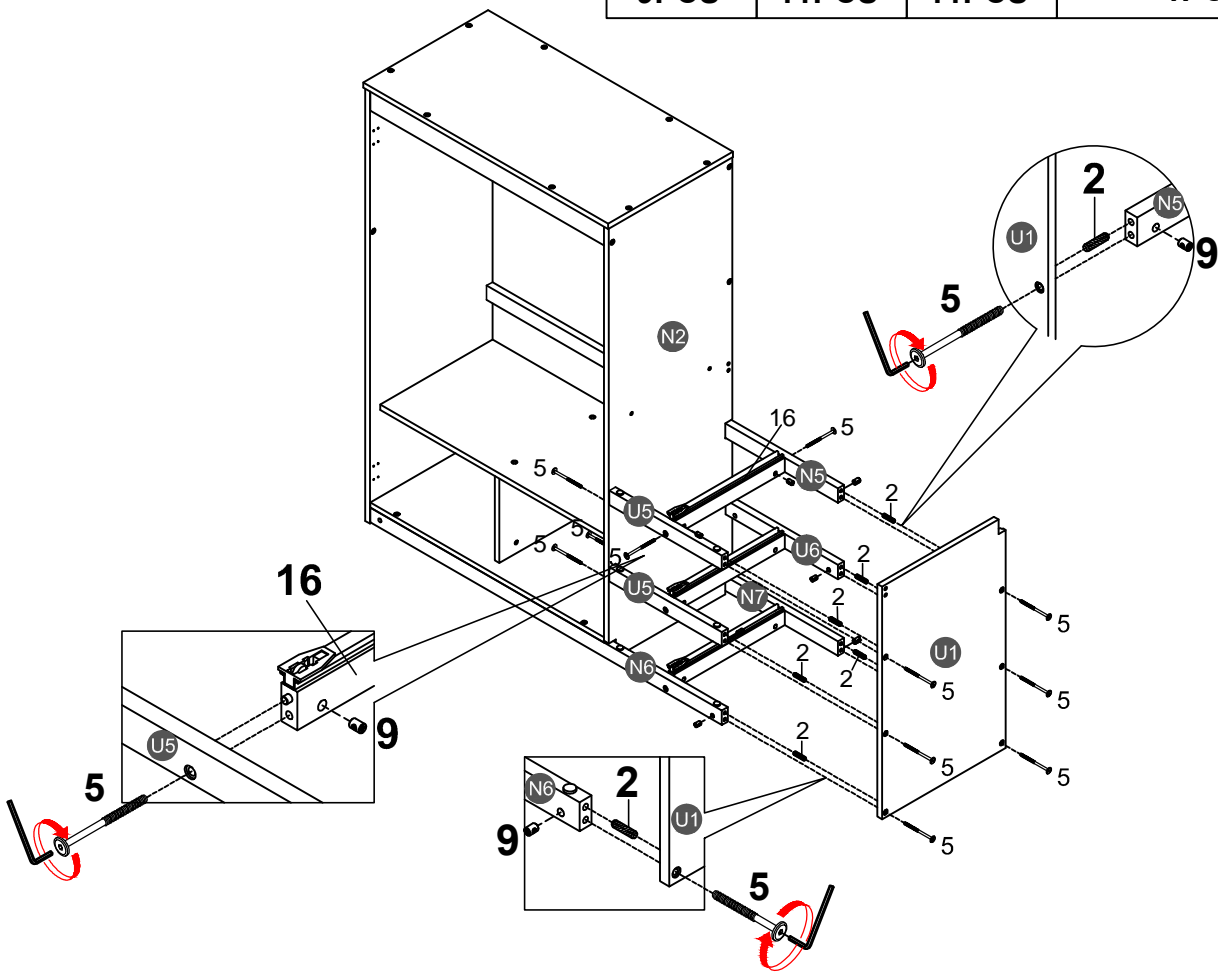
**STEP 12:**

<b>2</b>		<b>5</b>		<b>9</b>	
<b>4PCS</b>		<b>4PCS</b>		<b>4PCS</b>	






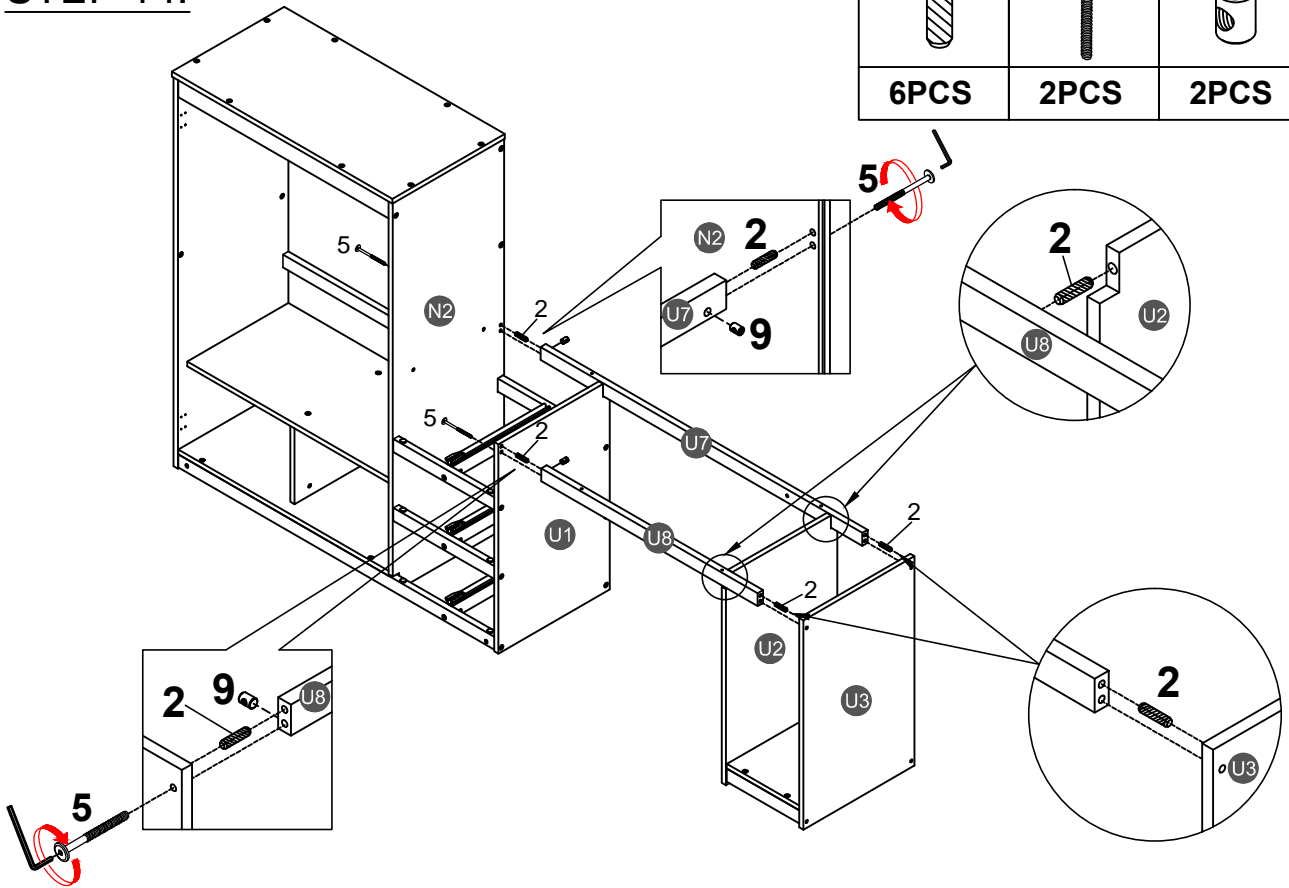
**STEP 13:**

<b>2</b>		<b>5</b>		<b>9</b>		<b>16</b>	
<b>9PCS</b>		<b>11PCS</b>		<b>11PCS</b>		<b>1PC</b>	

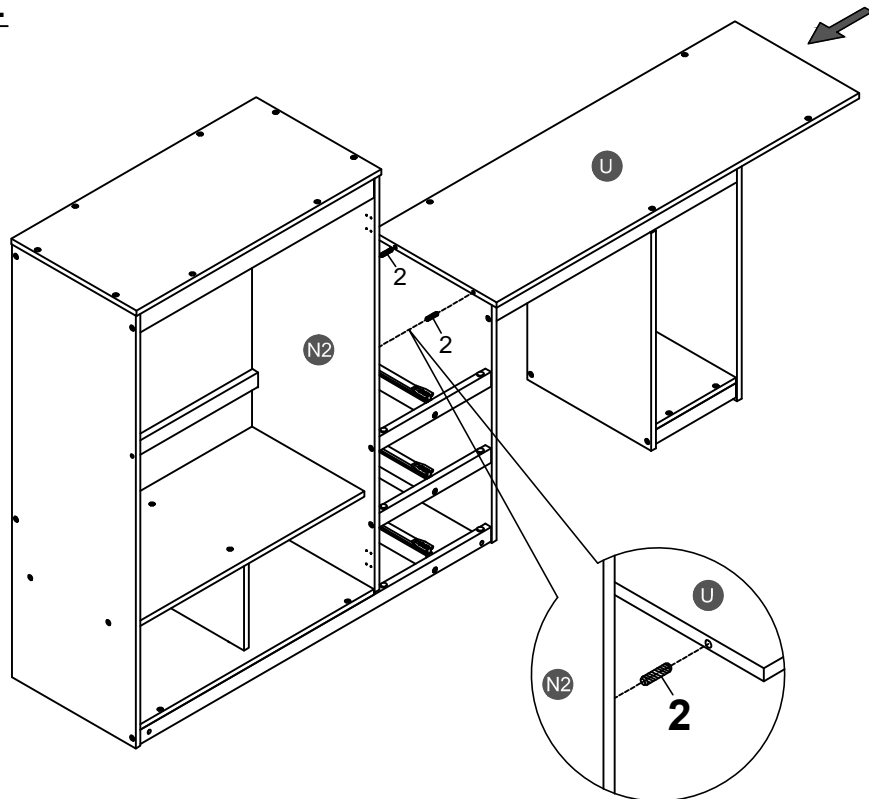



**STEP 14:**

<b>2</b>		<b>5</b>		<b>9</b>	
<b>6PCS</b>		<b>2PCS</b>		<b>2PCS</b>	

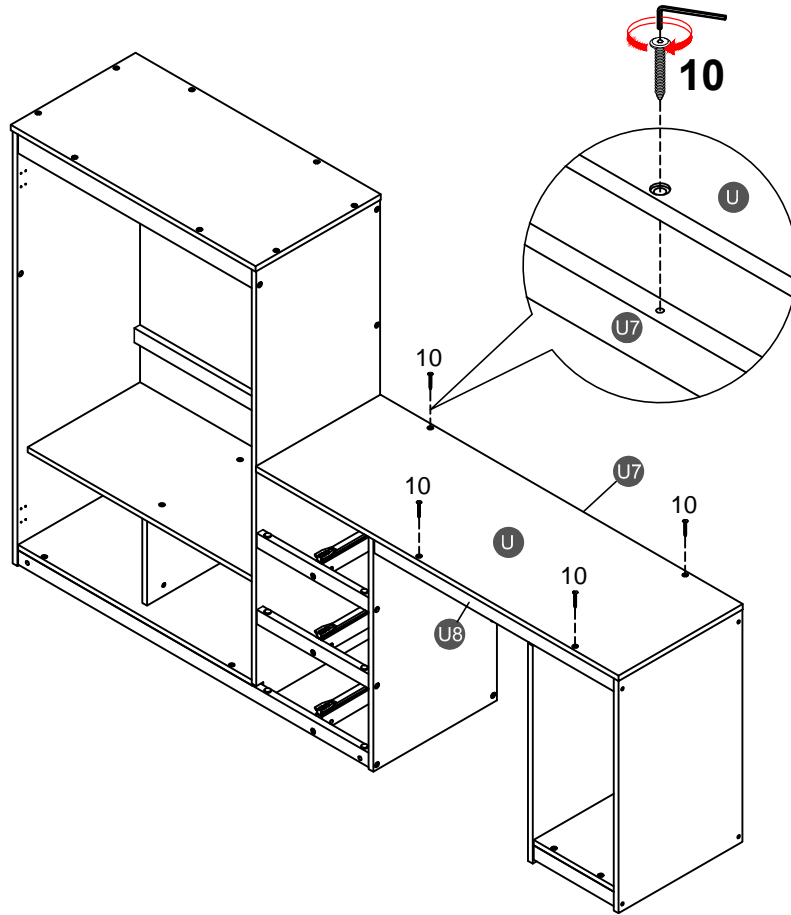



**STEP 15:**



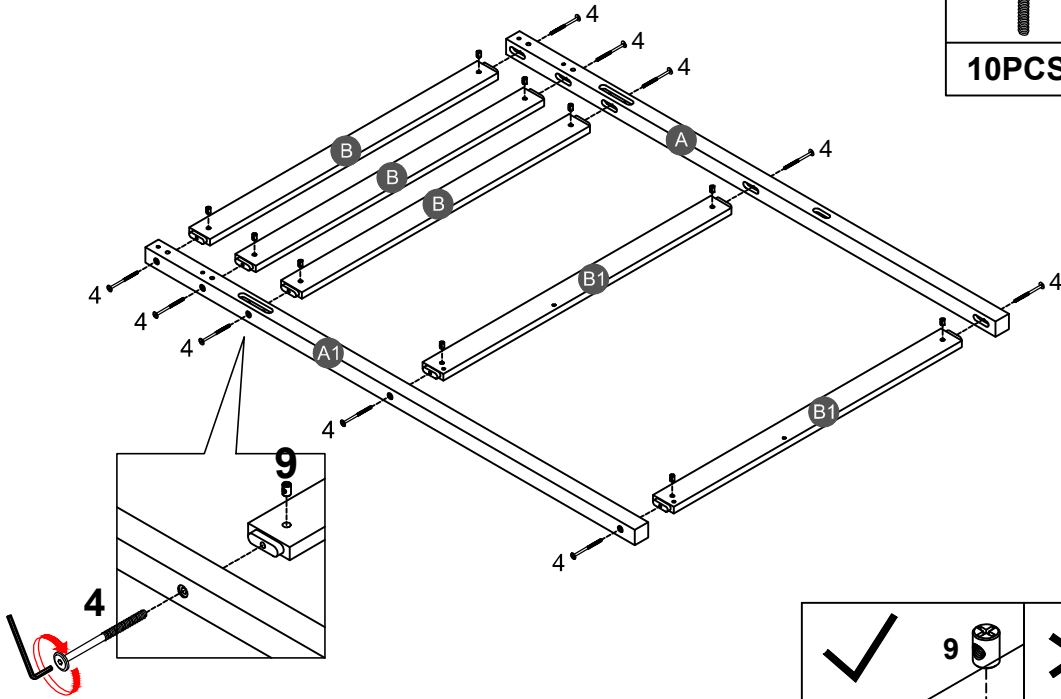
<b>2</b>	
<b>2PCS</b>	



**STEP 16:**



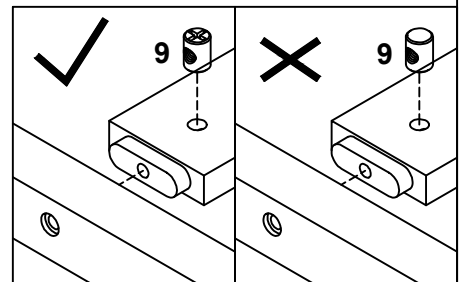
<b>10</b>	
<b>4PCS</b>	

**STEP 17:**





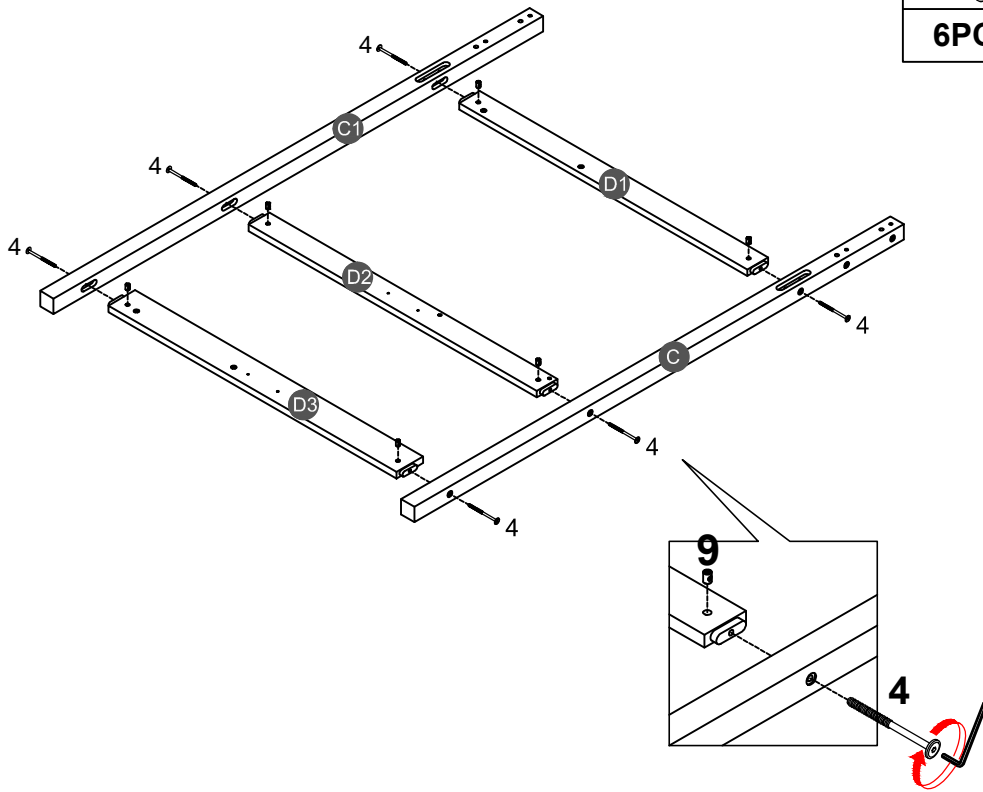
<b>4</b>		<b>9</b>	
<b>10PCS</b>		<b>10PCS</b>	

Note: Part 9 will face up with the "x" mark on it, otherwise it cannot be tightened




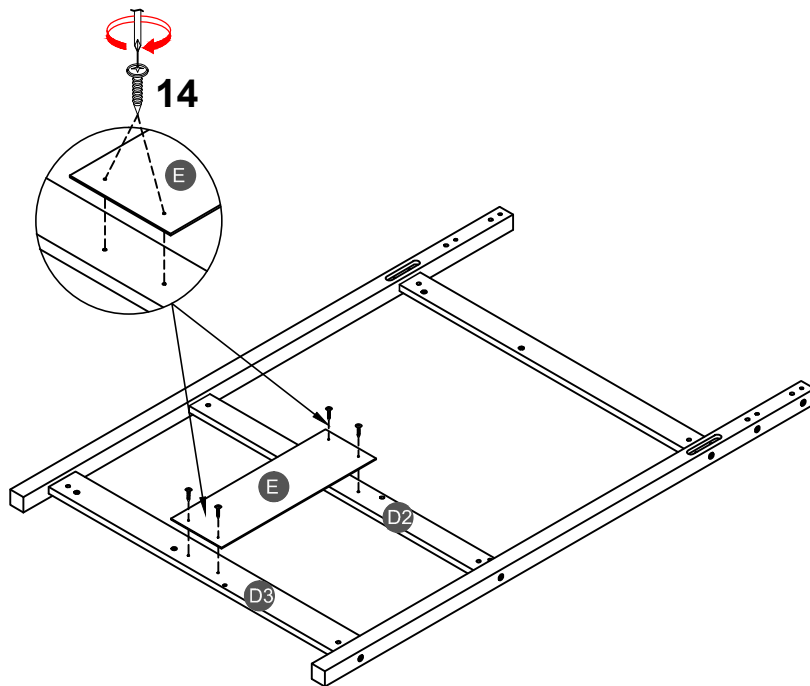
**STEP 18:**

<b>4</b>		<b>9</b>	
<b>6PCS</b>		<b>6PCS</b>	

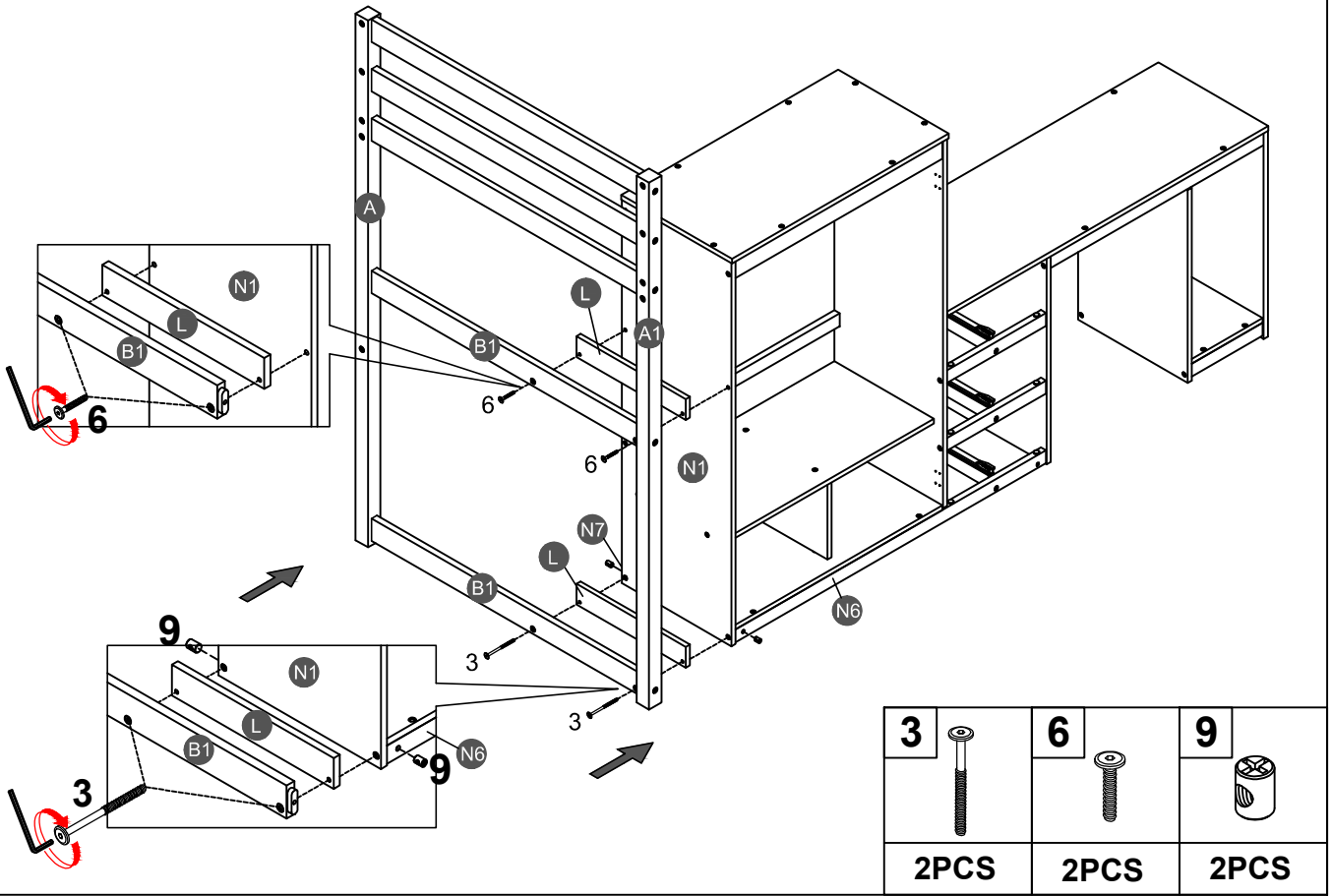


**STEP 19:**

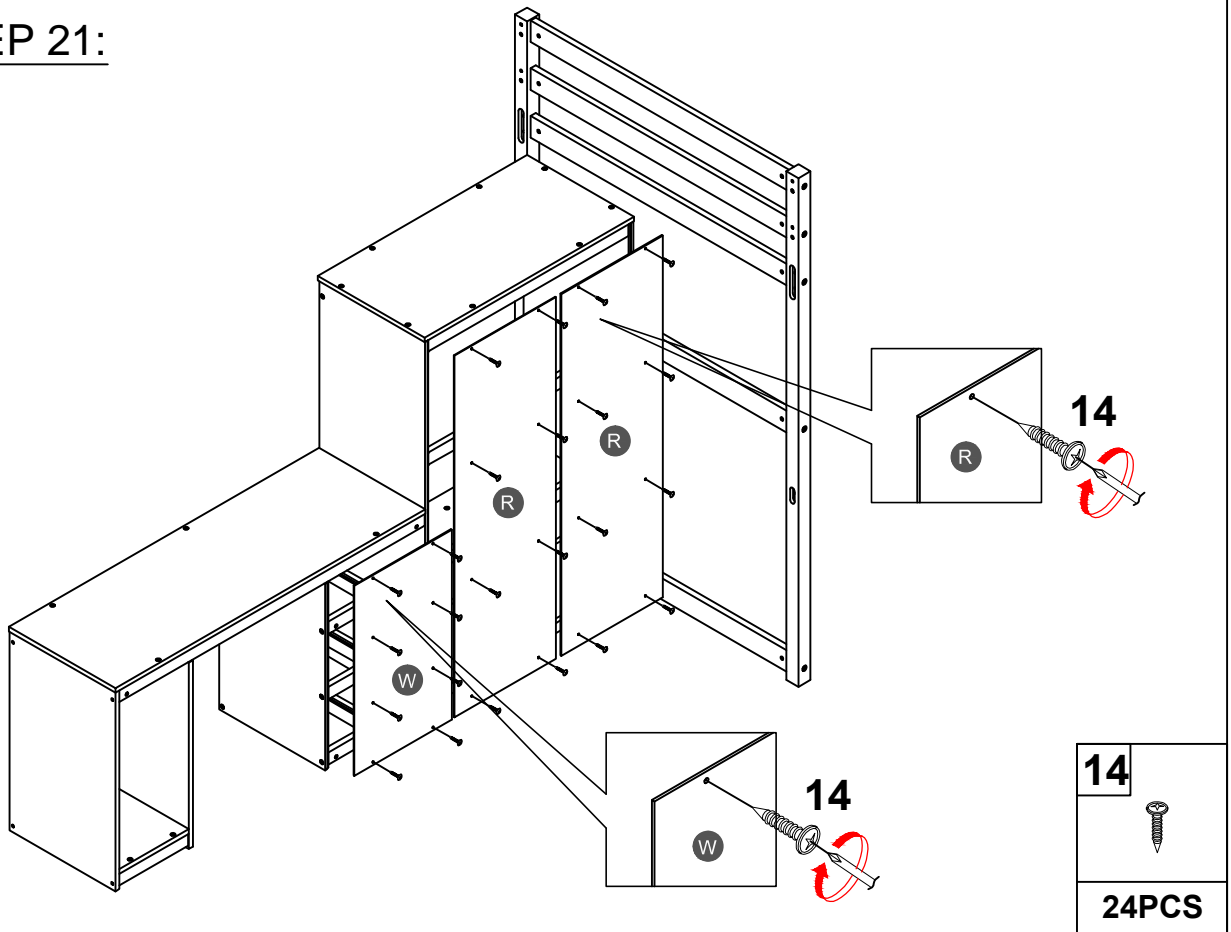
<b>14</b>	
<b>4PCS</b>	



**STEP 20:**

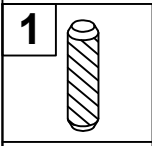
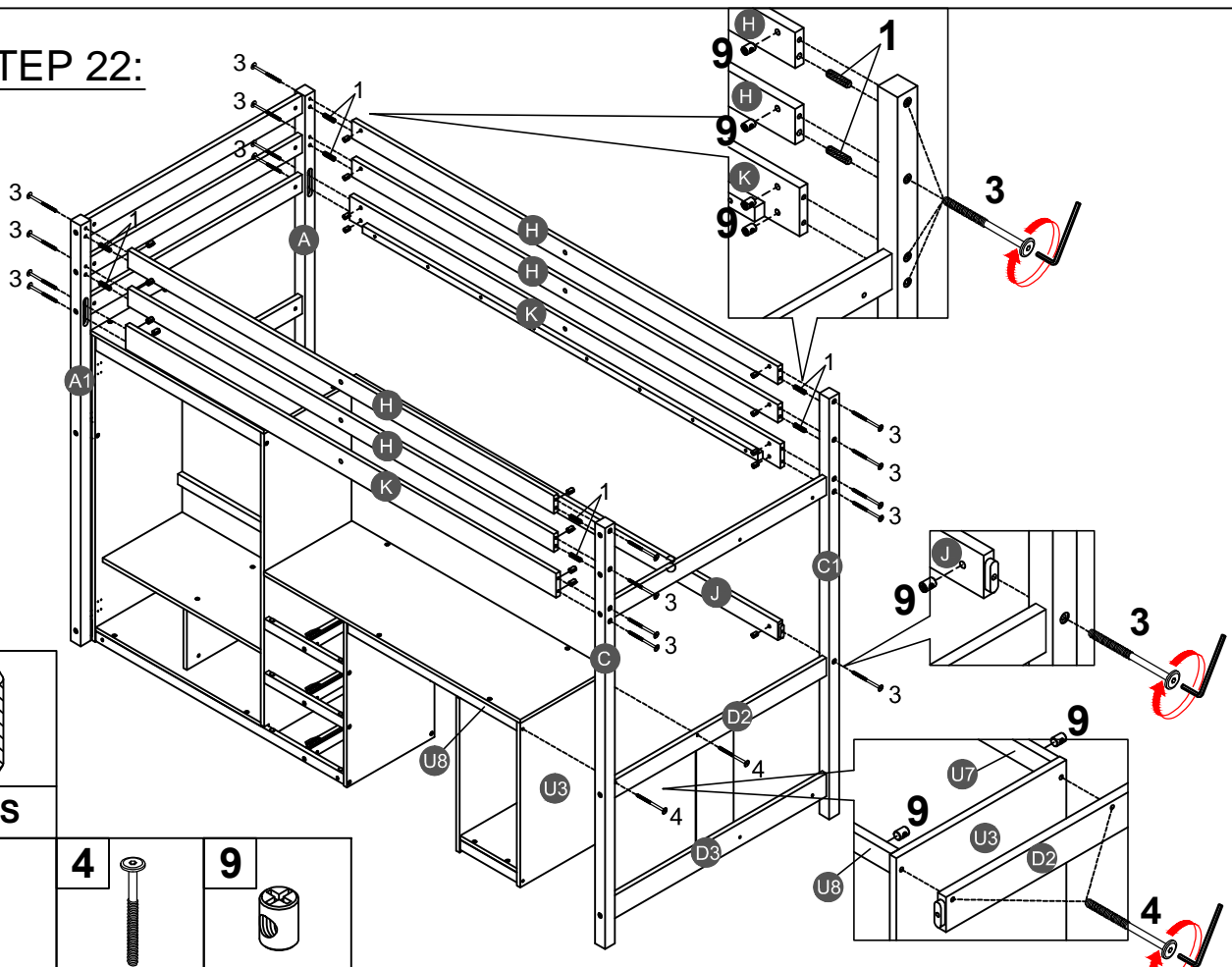


**STEP 21:**

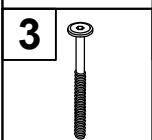




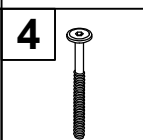
**STEP 22:**



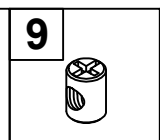
**8PCS**



**18PCS**

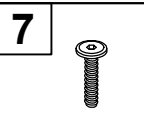
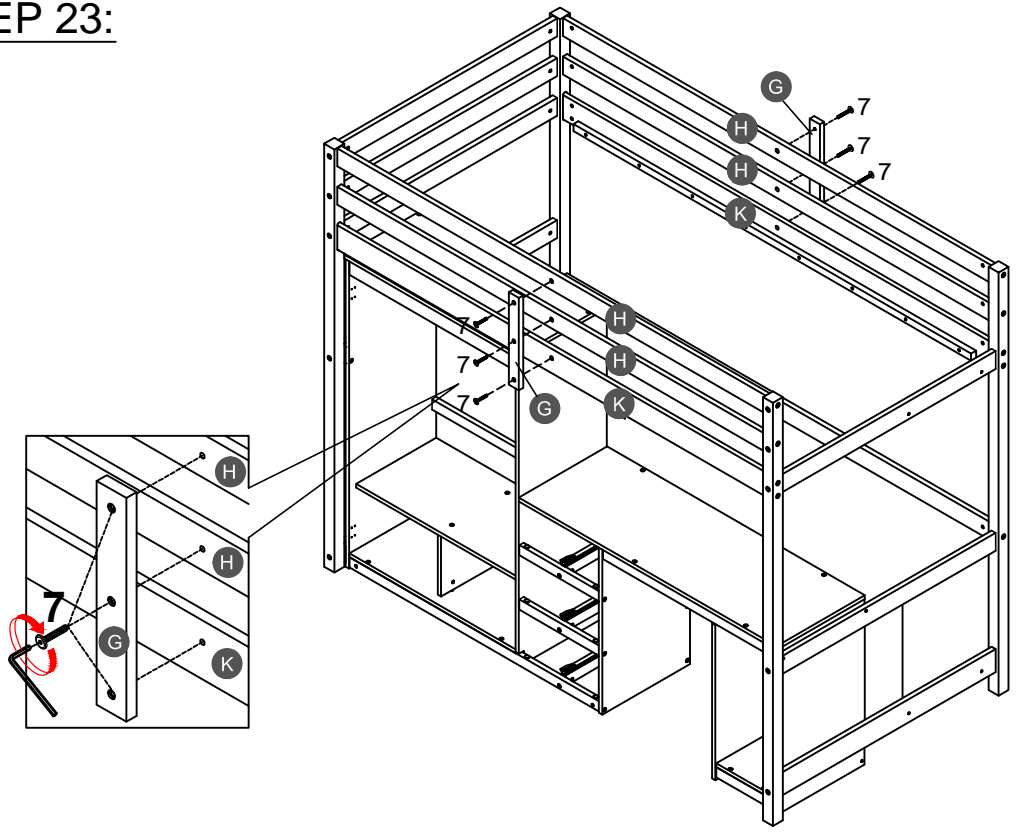


**2PCS**





**20PCS**

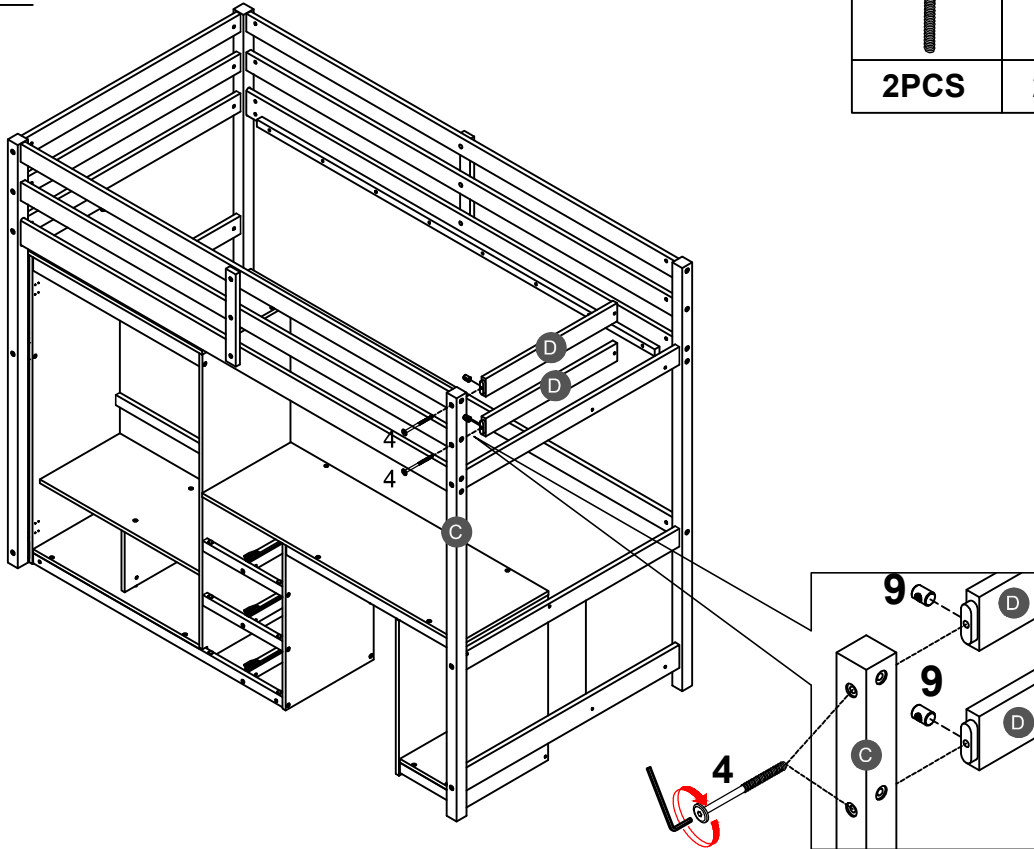
**STEP 23:**





**6PCS**

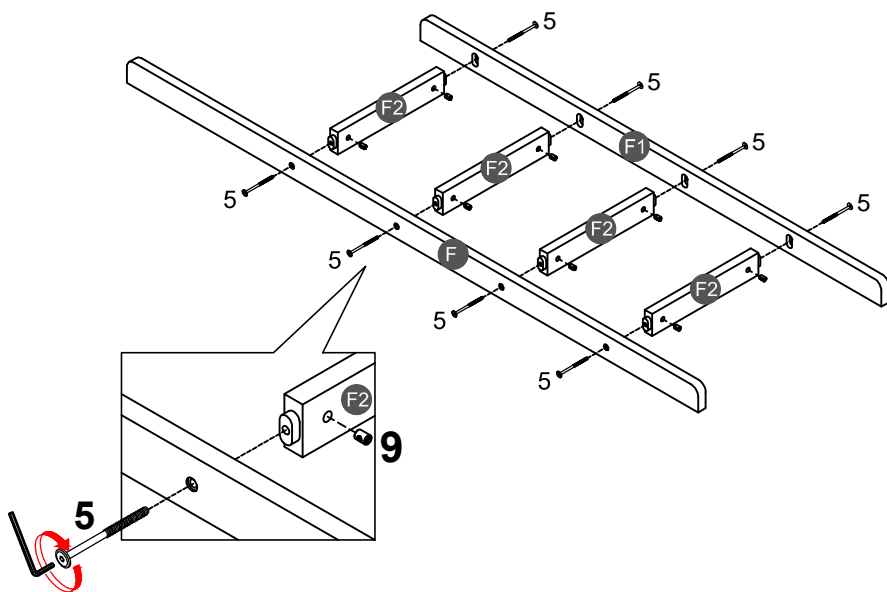
**STEP 24:**

<b>4</b>		<b>9</b>	
<b>2PCS</b>		<b>2PCS</b>	

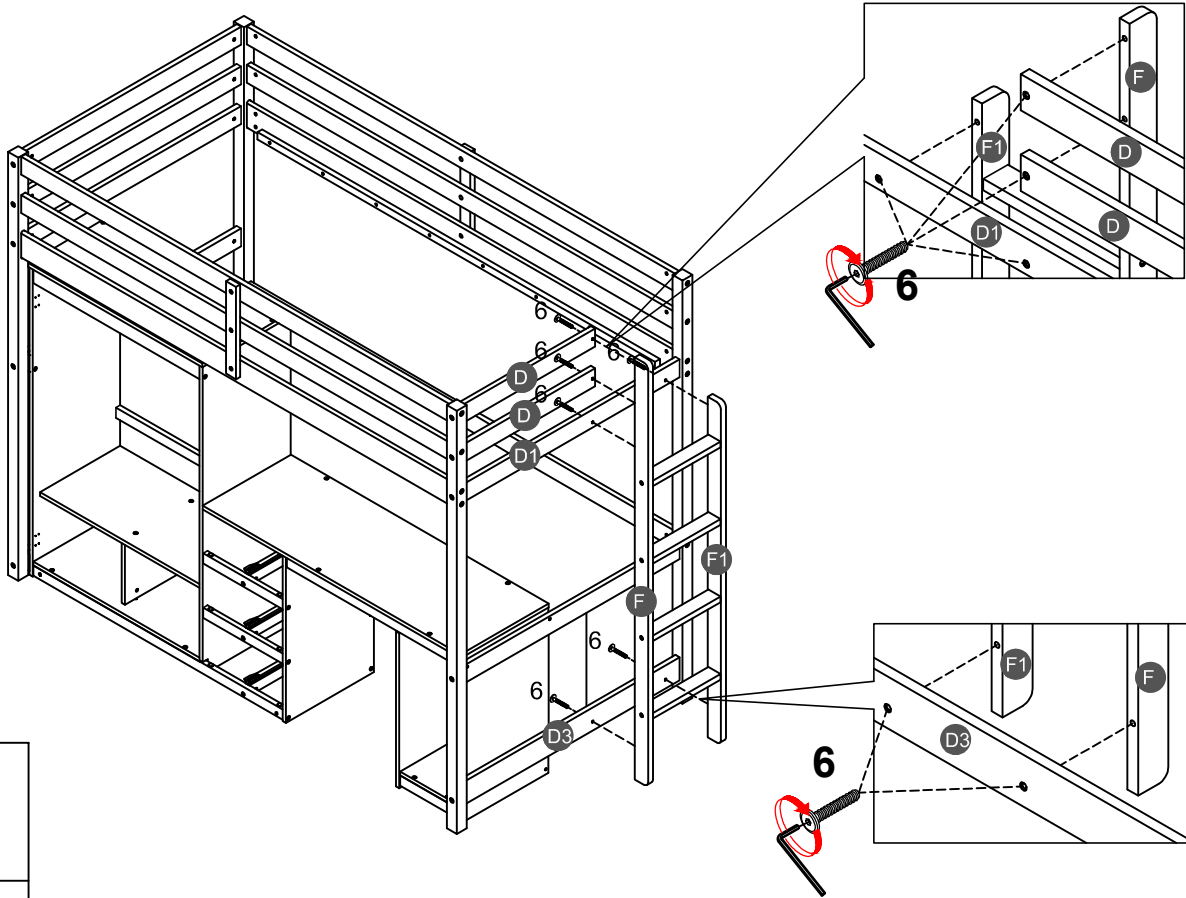


**STEP 25:**

<b>5</b>		<b>9</b>	
<b>8PCS</b>		<b>8PCS</b>	



## STEP 26:

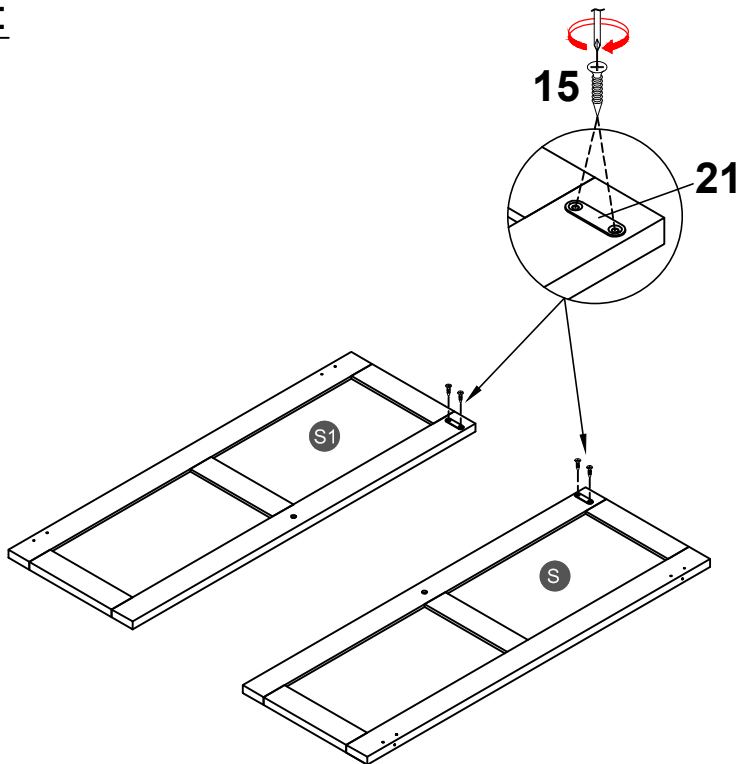


6



6PCS

## STEP 27:



15



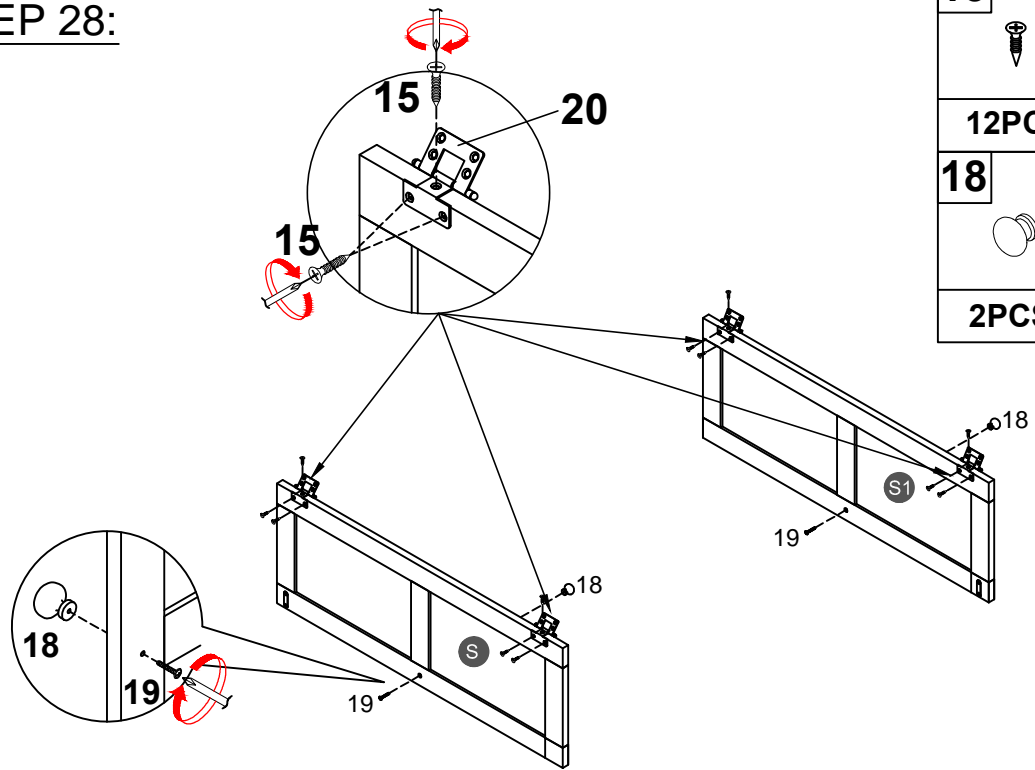
4PCS


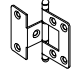


21



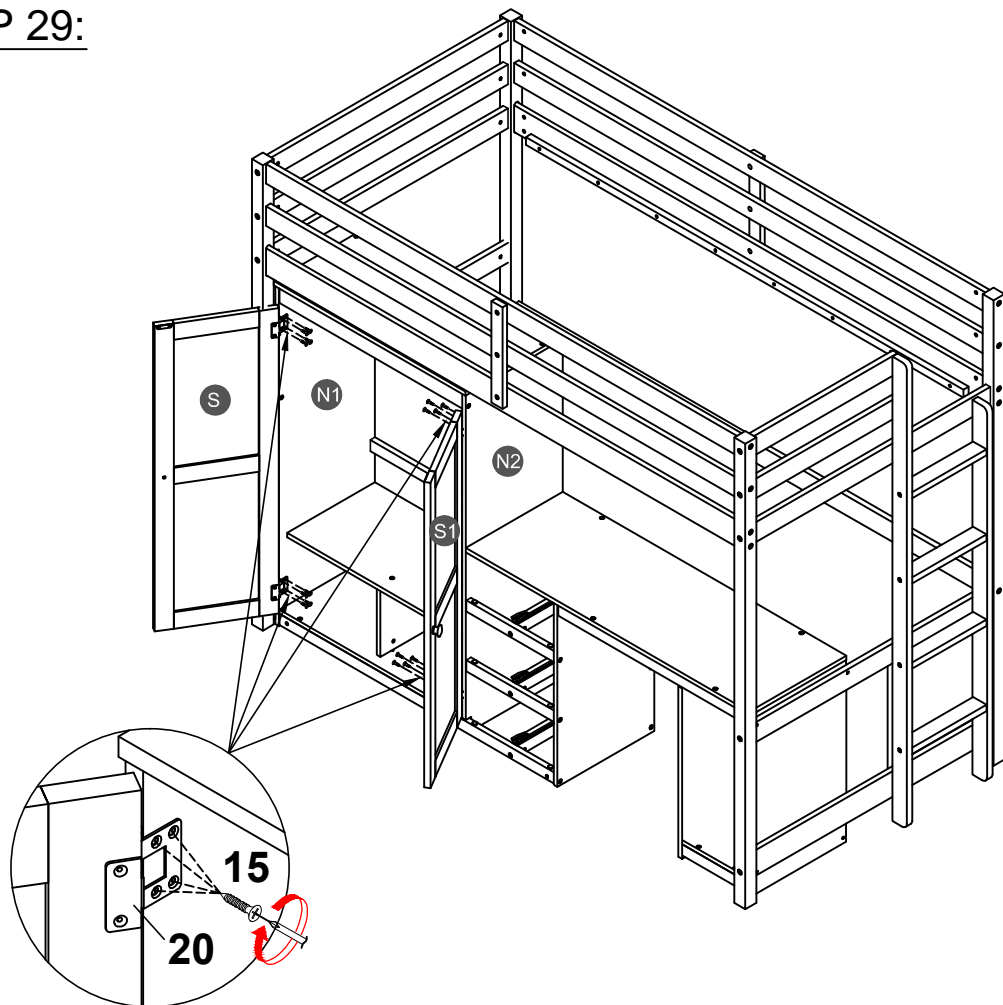
2PCS


**STEP 28:**



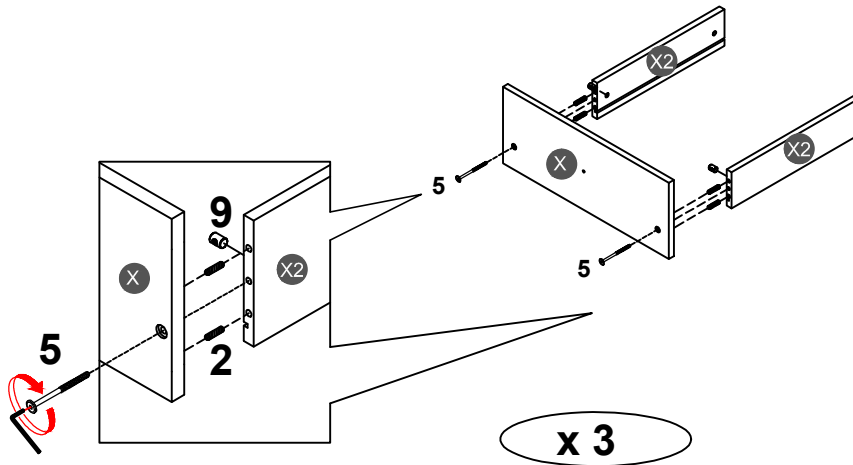
<b>15</b>		<b>20</b>	
	<b>12PCS</b>		<b>4PCS</b>
<b>18</b>		<b>19</b>	
	<b>2PCS</b>		<b>2PCS</b>




**STEP 29:**



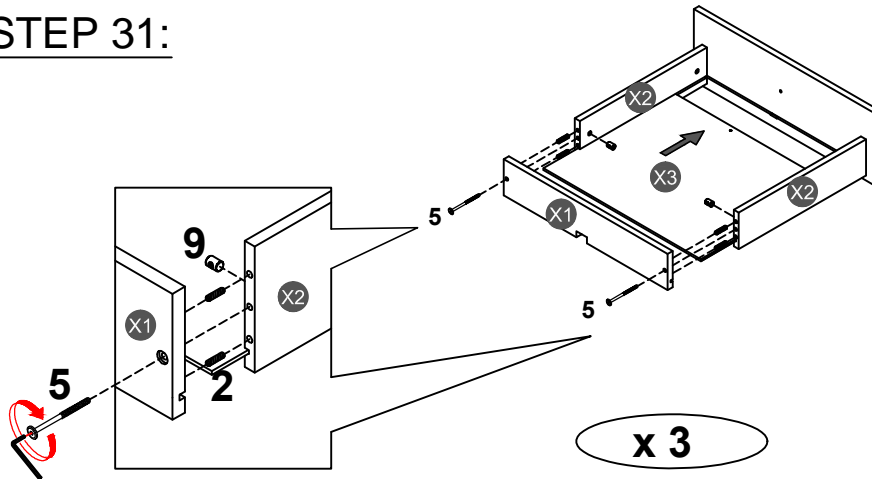
<b>15</b>	
	<b>16PCS</b>




**STEP 30:**



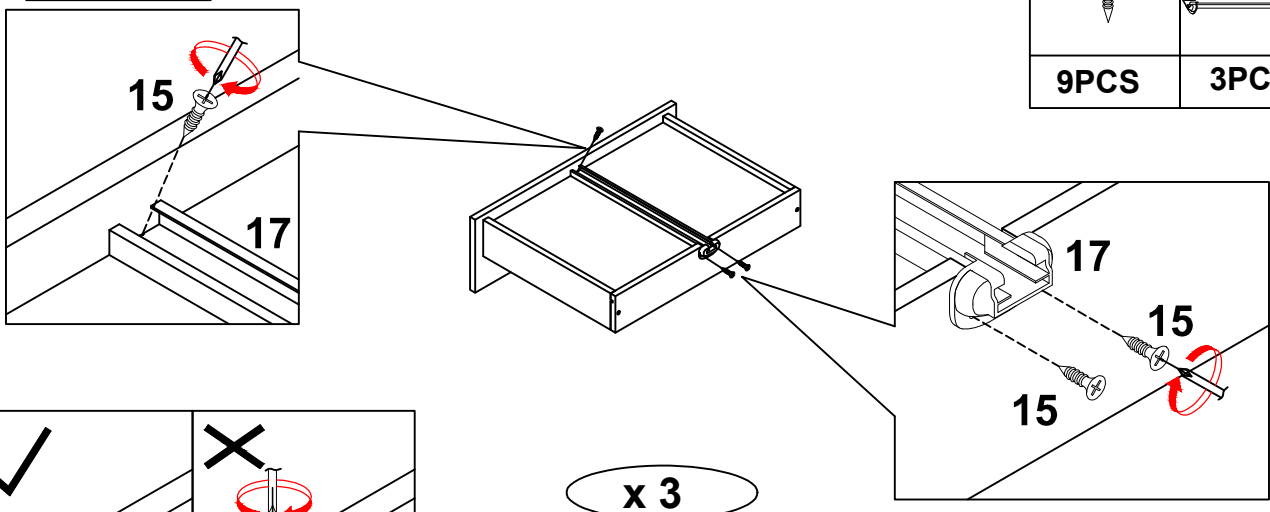
<b>2</b>		<b>5</b>	
<b>12PCS</b>		<b>6PCS</b>	
		<b>9</b>	
<b>6PCS</b>			



**STEP 31:**



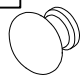

<b>2</b>		<b>5</b>	
<b>12PCS</b>		<b>6PCS</b>	
		<b>9</b>	
<b>6PCS</b>			

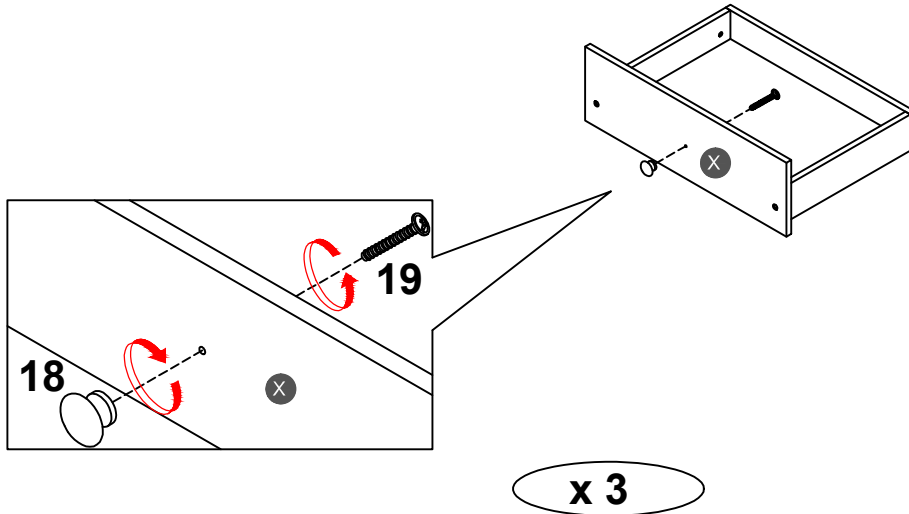
**STEP 32:**



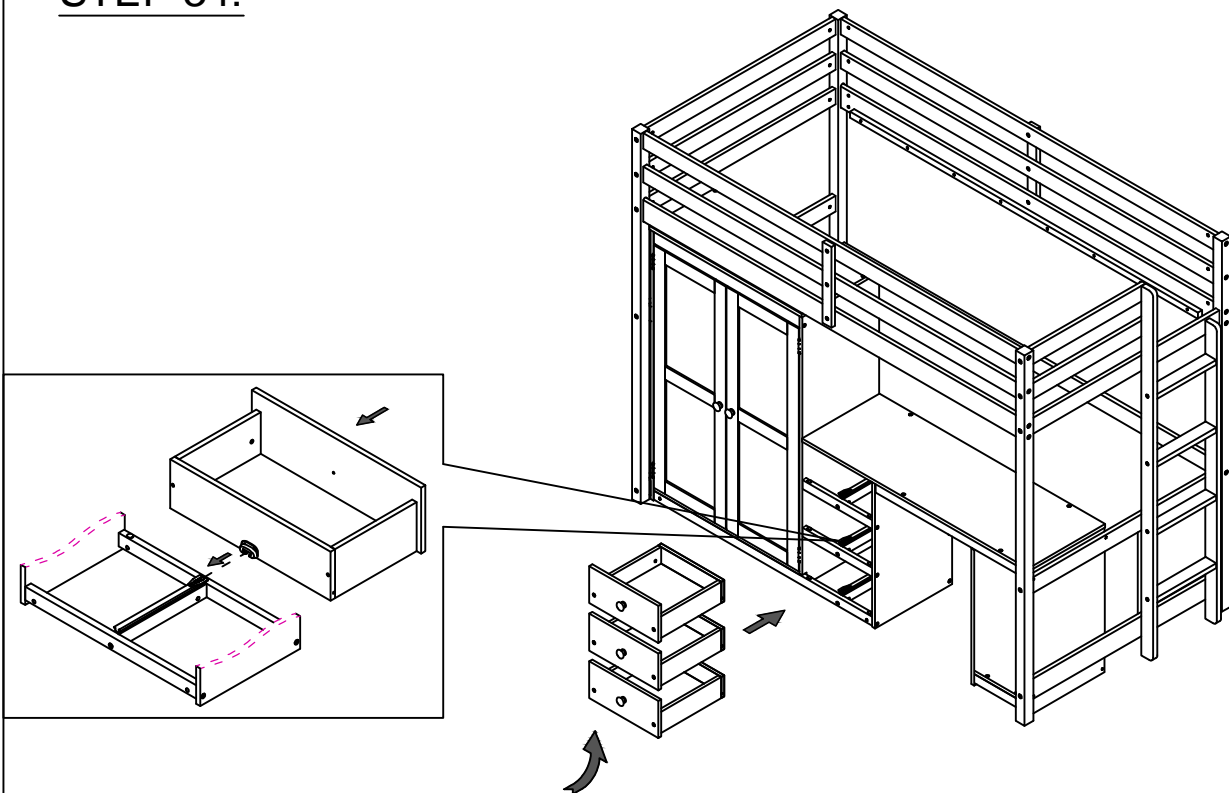
<b>15</b>		<b>17</b>	
<b>9PCS</b>		<b>3PCS</b>	

### STEP 33:

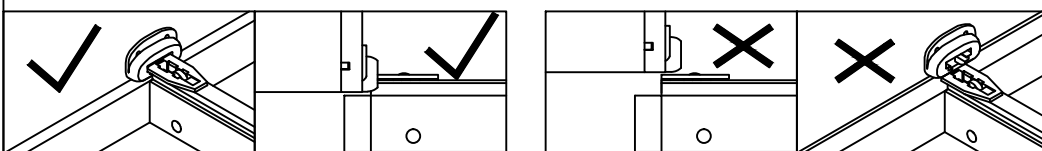
<b>18</b> 	<b>19</b> 
<b>3PCS</b>	<b>3PCS</b>




### STEP 34:

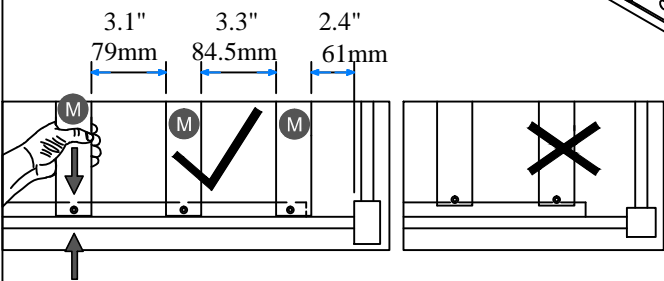
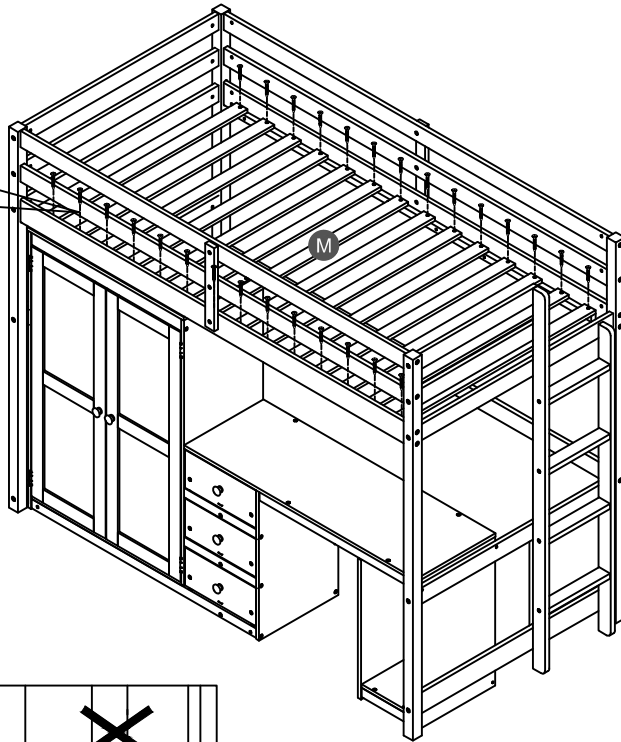
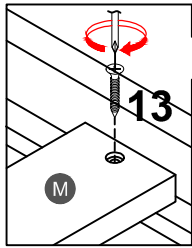


Align the slide rail at the bottom of the drawer and ensure it is secure, then push the drawer in firmly to make the slide rails smoothly on the track.

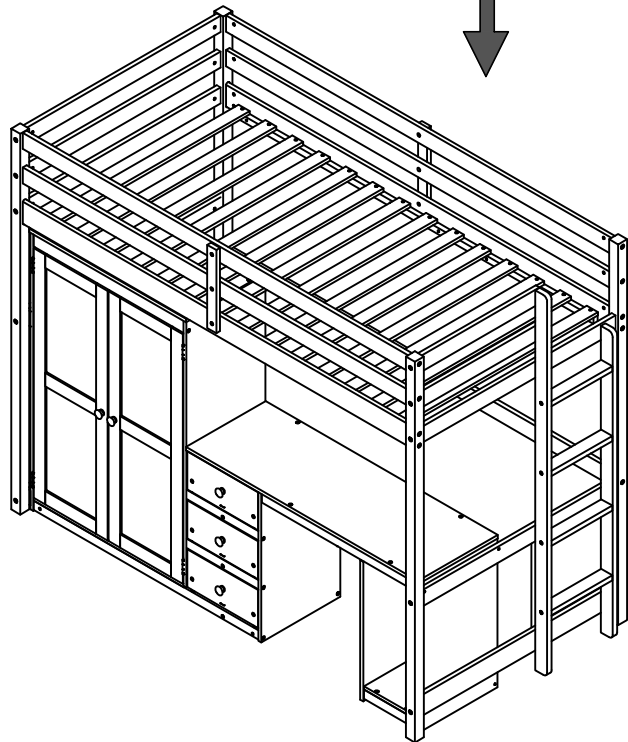


# STEP 35:

<b>13</b>

<b>28PCS</b>



**NOTE:** Please make sure the bed slats close to the side rail before locking the screws to avoid breakage. This step is required for both the left and right sides. Moreover, please do not lock the screws of the bed slats at the outermost edge to avoid damaging.



**Make sure to tighten all the screws of the bed.**