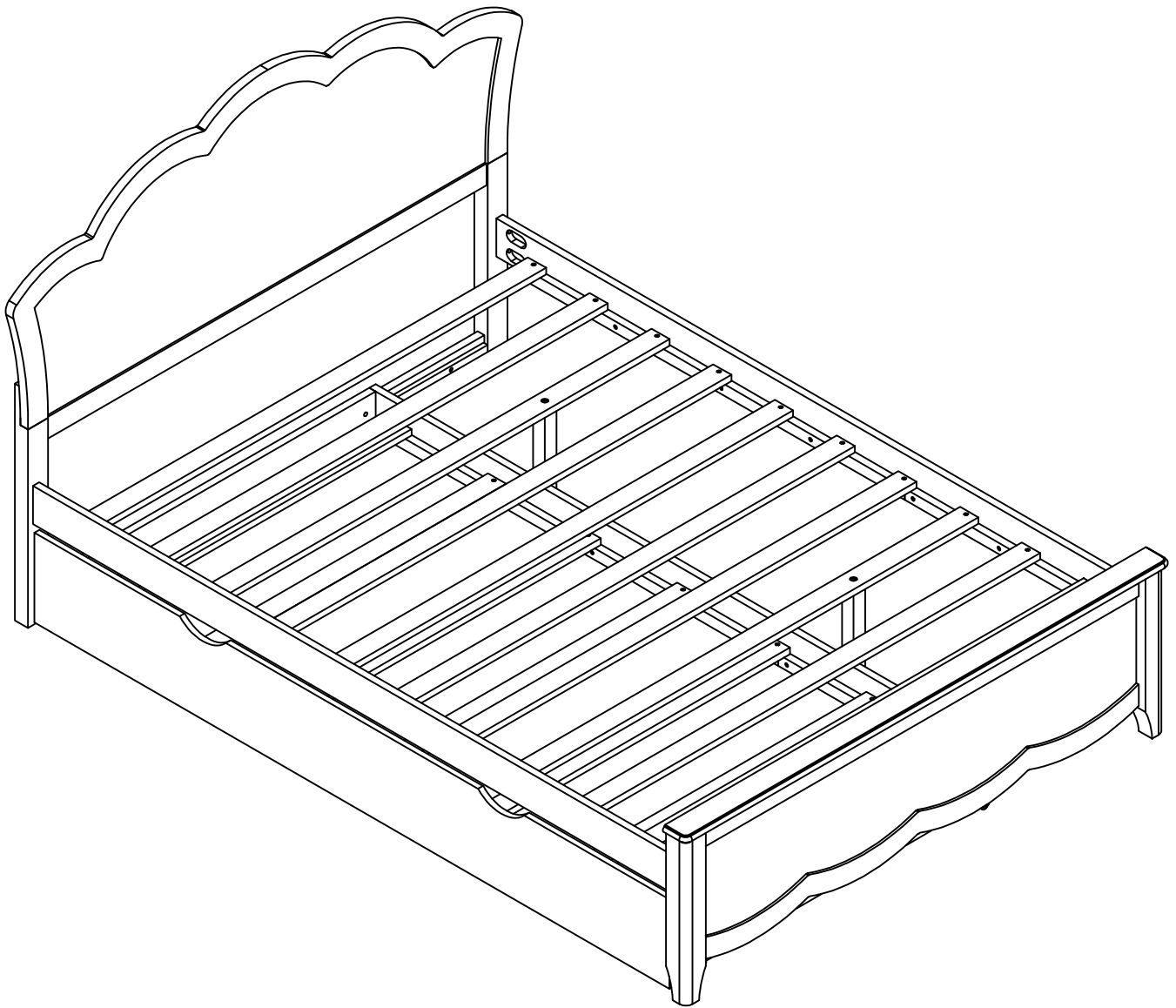
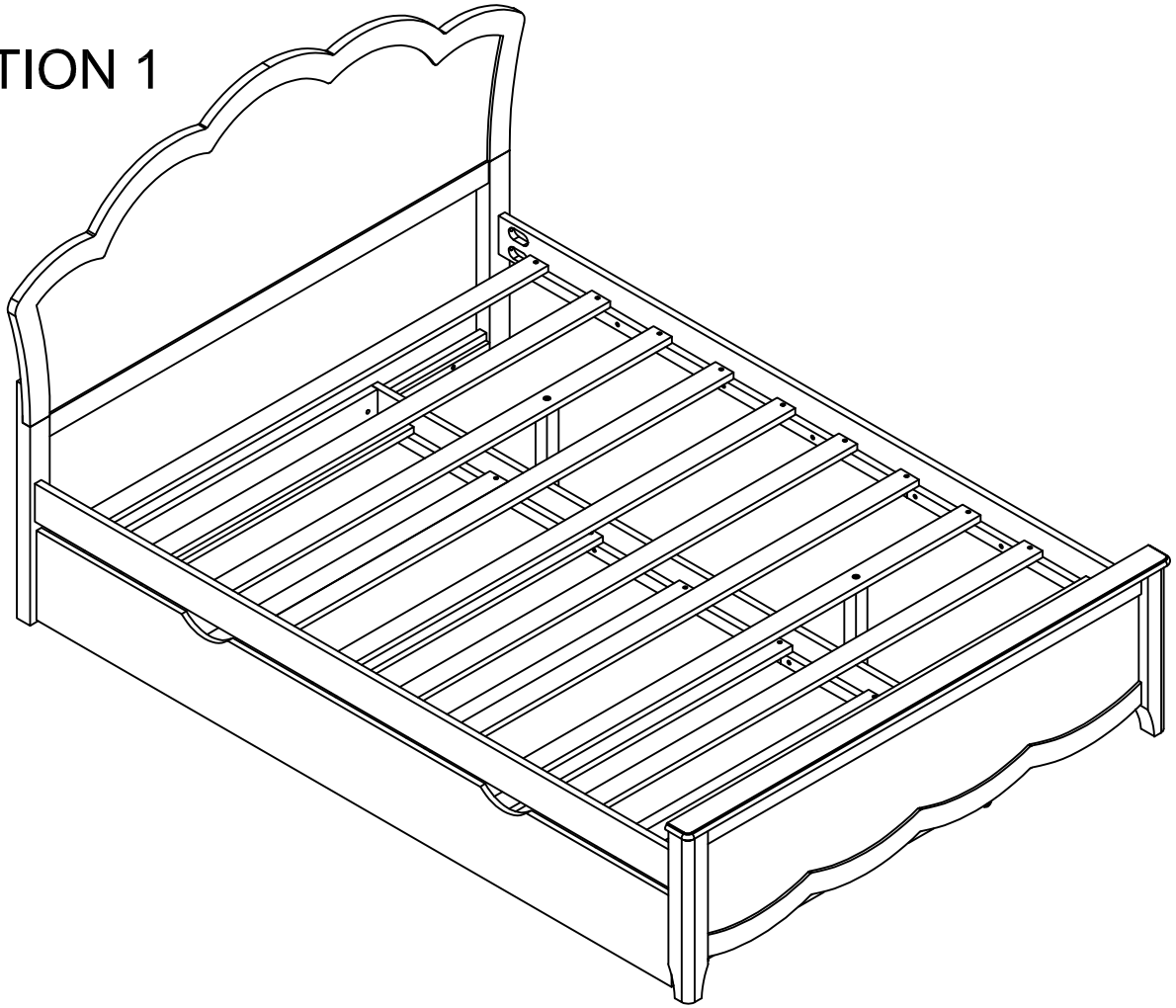


ASSEMBLY INSTRUCTION

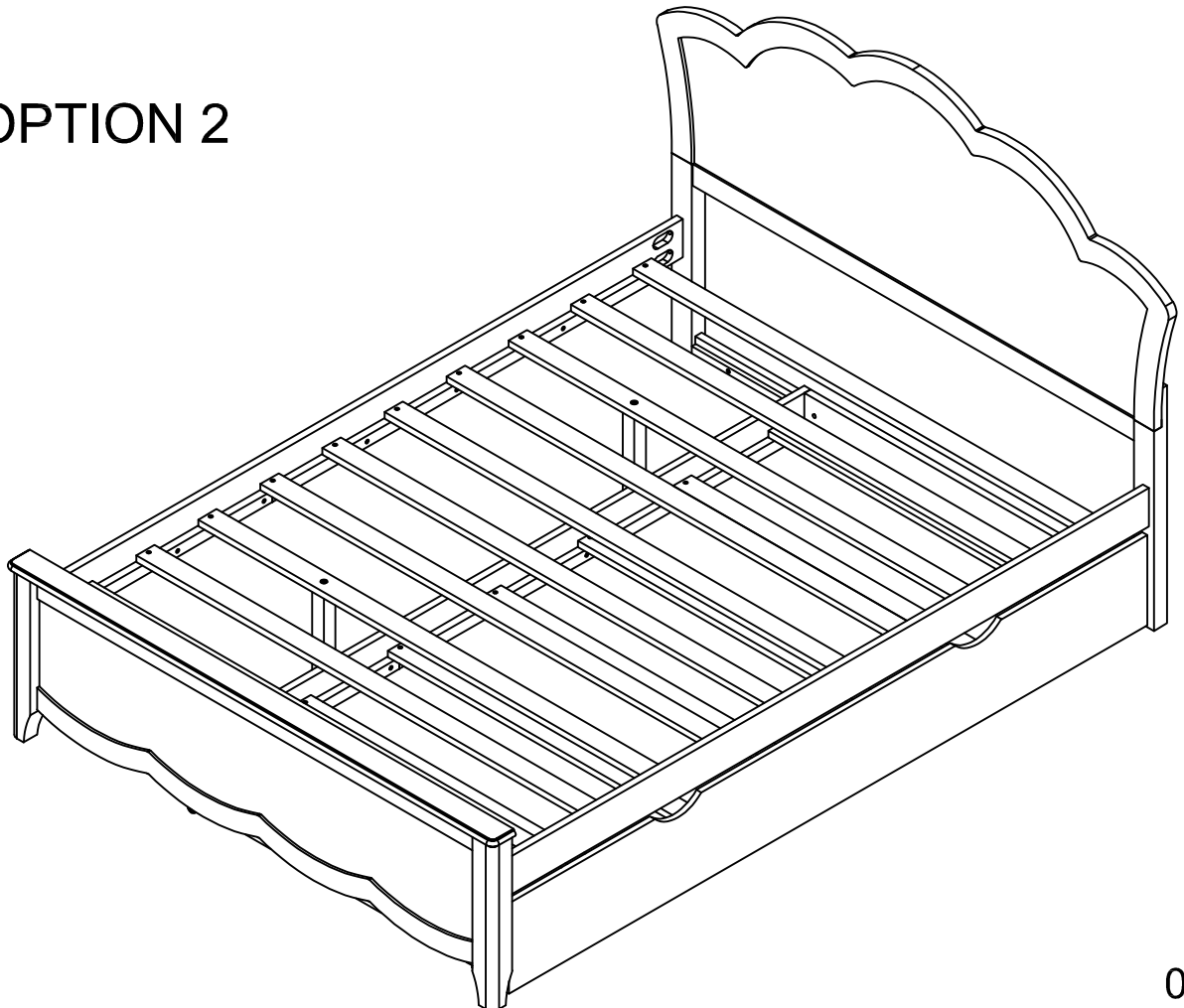
SKU CODE: (WF323721-323722)



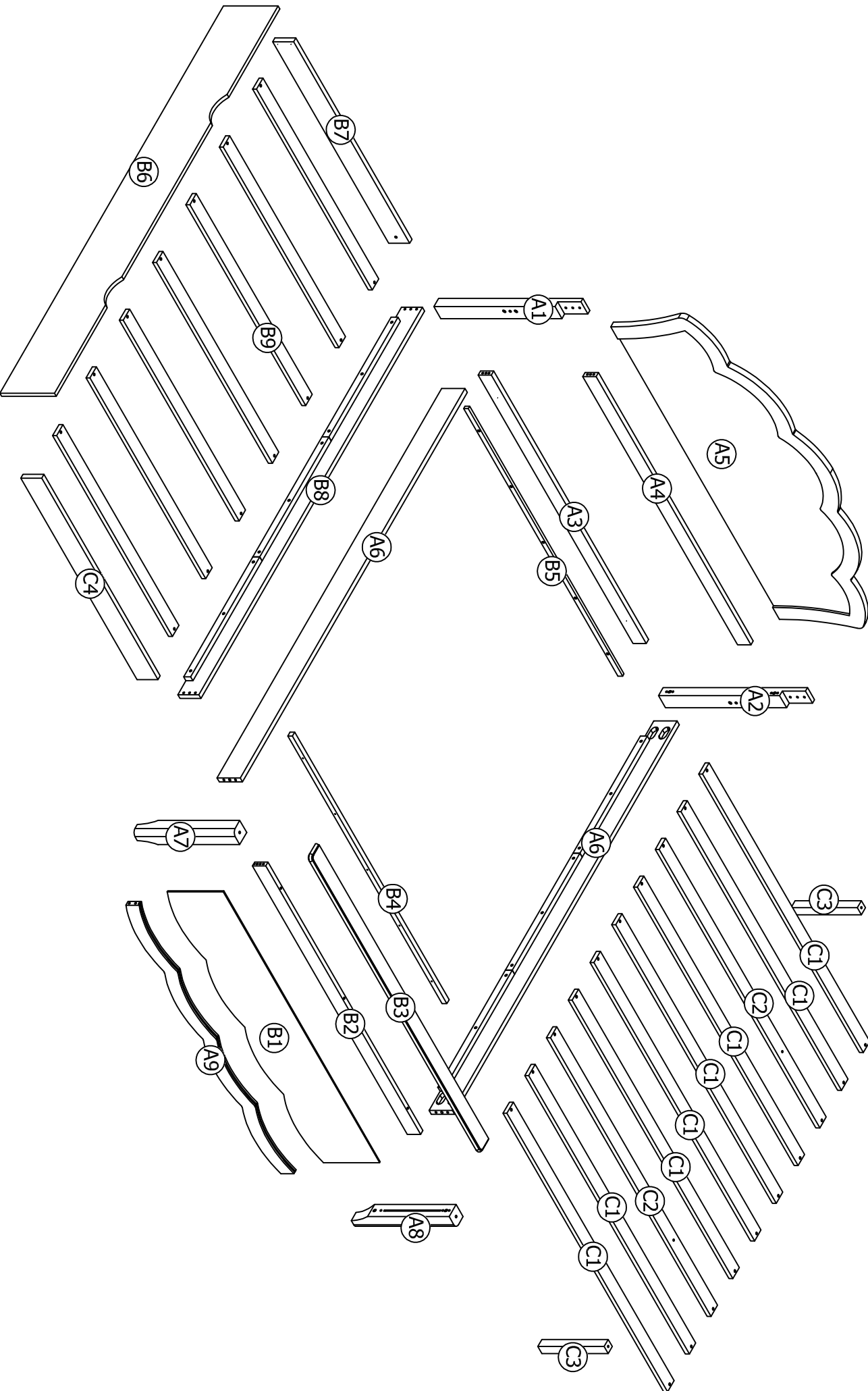
OPTION 1



OPTION 2

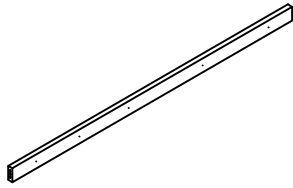


ASSEMBLY INSTRUCTION



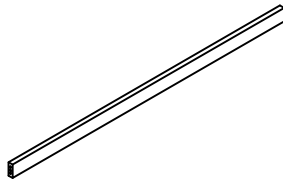
Part List (Box1-WF323721)

A3



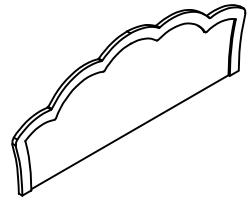
WoodBar-1pc

A4



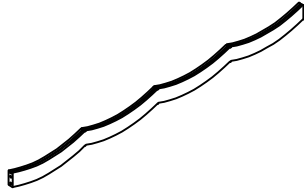
WoodBar-1pc

A5



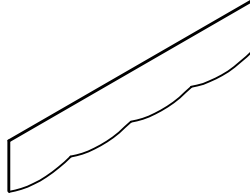
Panel-1pc

A9



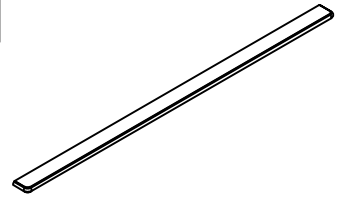
WoodBar-1pc

B1



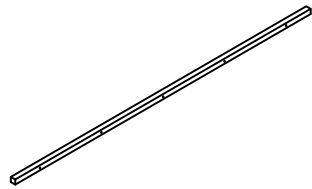
Panel-1pc

B3



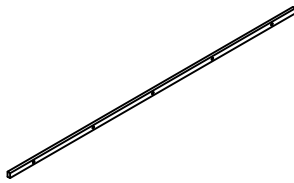
WoodBar-1pc

B4



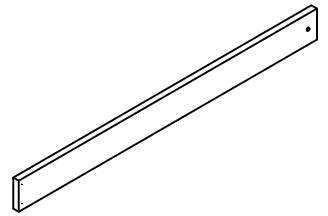
WoodBar-1pc

B5



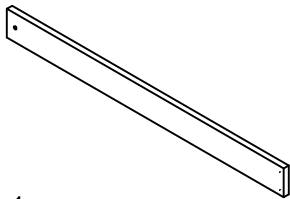
WoodBar-1pc

B7



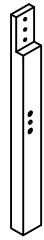
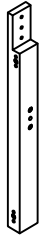
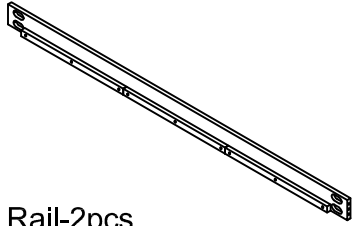


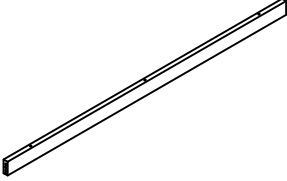
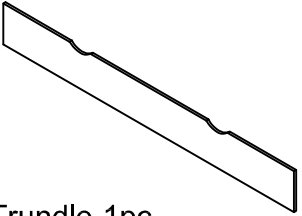
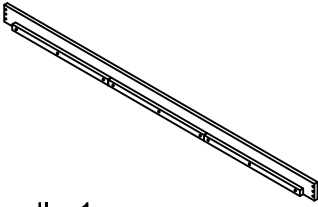
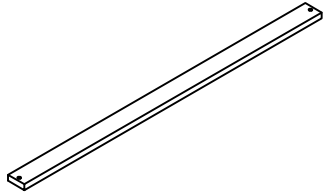
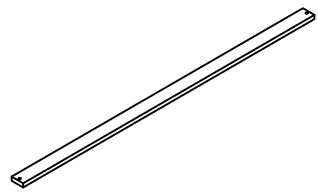
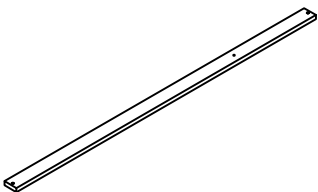
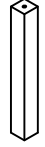
WoodBar-1pc

C4



WoodBar-1pc

Part List & Hardware List (Box2-WF323722)

A1  Leg-1pc	A2  Leg-1pc	A6  Side Rail-2pcs
A7  Leg-1pc	A8  Leg-1pc	B2  WoodBar-1pc
B6  Front Trundle-1pc	B8  Back Trundle-1pc	B9  Slat Trundle-7pcs
C1  Slat -8pcs	C2  Slat -2pcs	C3  WoodBar-2pcs

Hardware List (Box 2-WF323722)

1



Ø1/4" x 30 mm
Hex-Head bolts 6pcs

2



Ø1/4" x 50 mm
Hex-Head bolts 16pcs

3



Ø1/4" x 60 mm
Hex-Head bolts 2pcs

4



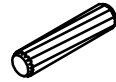
Ø1/4" x 13 mm
Horizontal-Hole bolts 2pcs

5



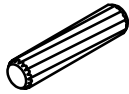
Curved washer 16pcs

6



Ø8 x 30 mm
Wood dowel 20pcs

7



Ø10 x 40 mm
Wood dowel 6pcs

8



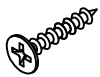
Ø15 x 9.5 mm
Cam lock 3pcs

9



Cam bolt 3pcs

10



M3.5 x 15 mm
Wood Screws 16pcs

11



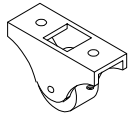
M4 x 25 mm
Wood Screws 10pcs

12



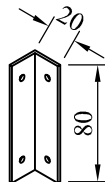
M4 x 30 mm
Wood Screws 34pcs

13



Wheels 4pcs

14

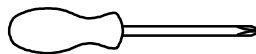


Angle Metal 2pcs

15



Allen Key 1pc



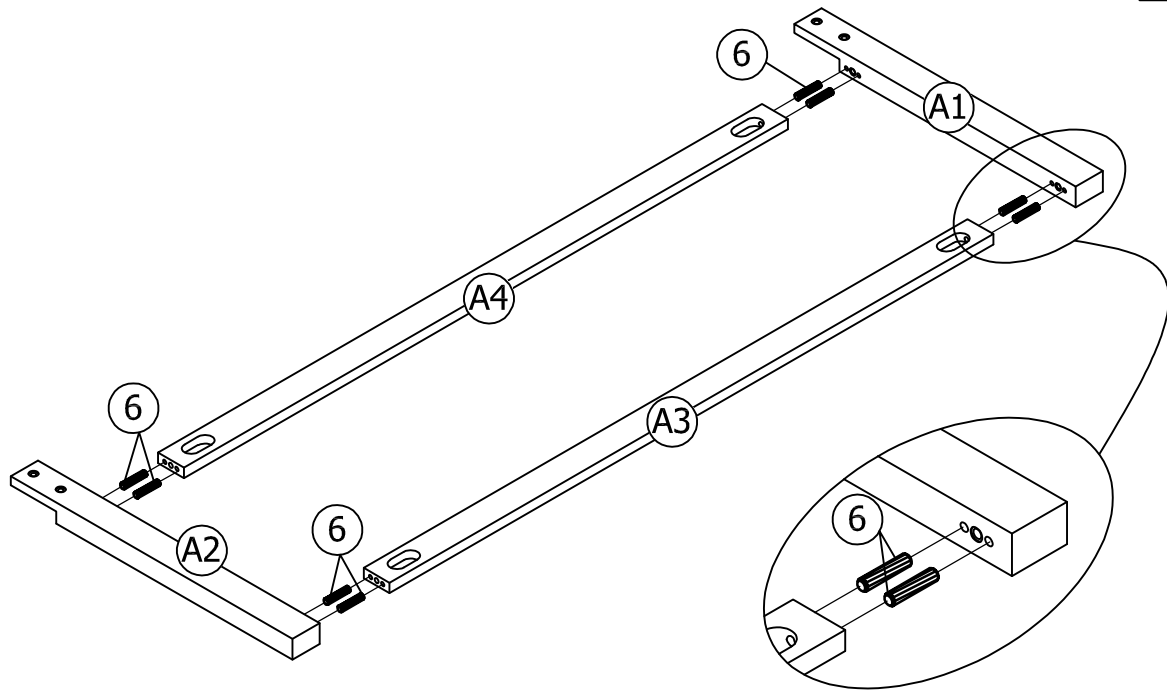
Assembly Tools Required (Not Included)

STEP1: Following below illustration.

6



8(pcs)



STEP2: Following below illustration.

5

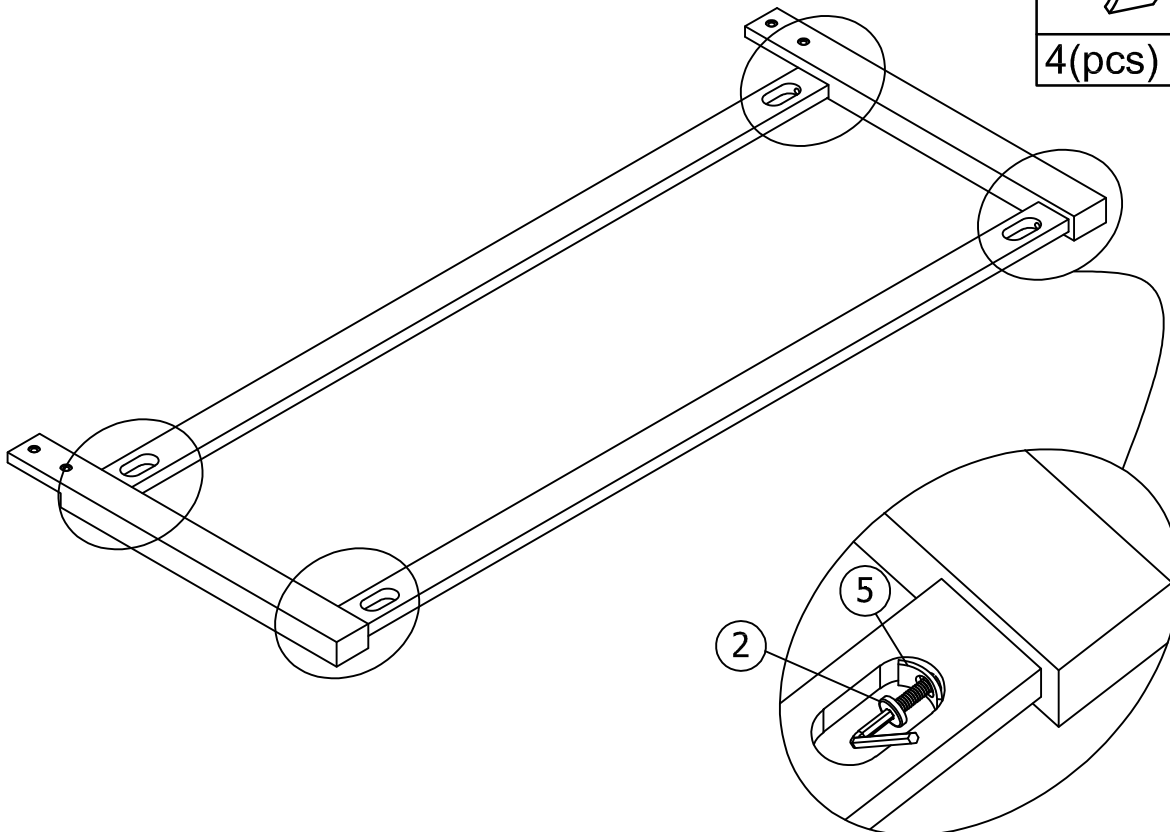


4(pcs)


2

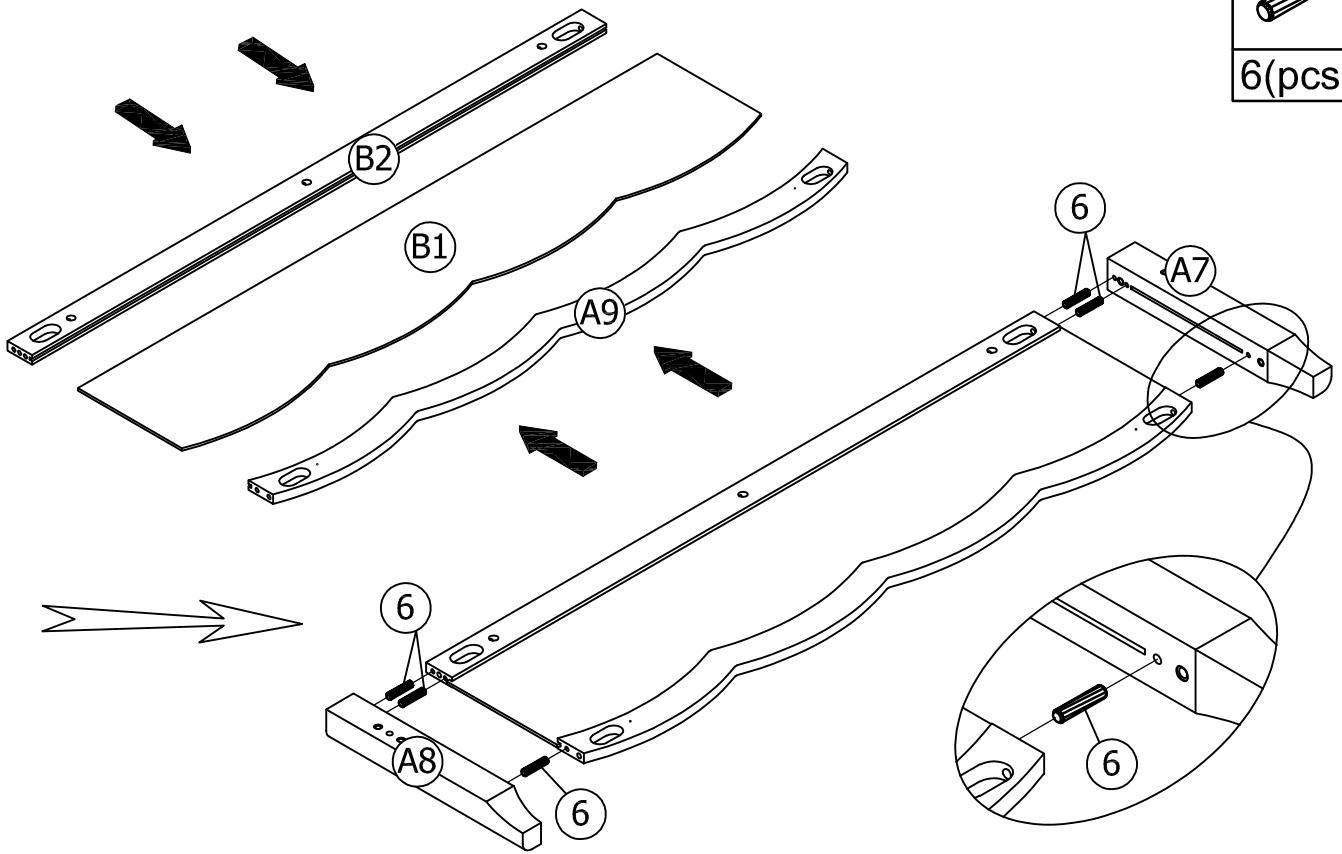


4(pcs)





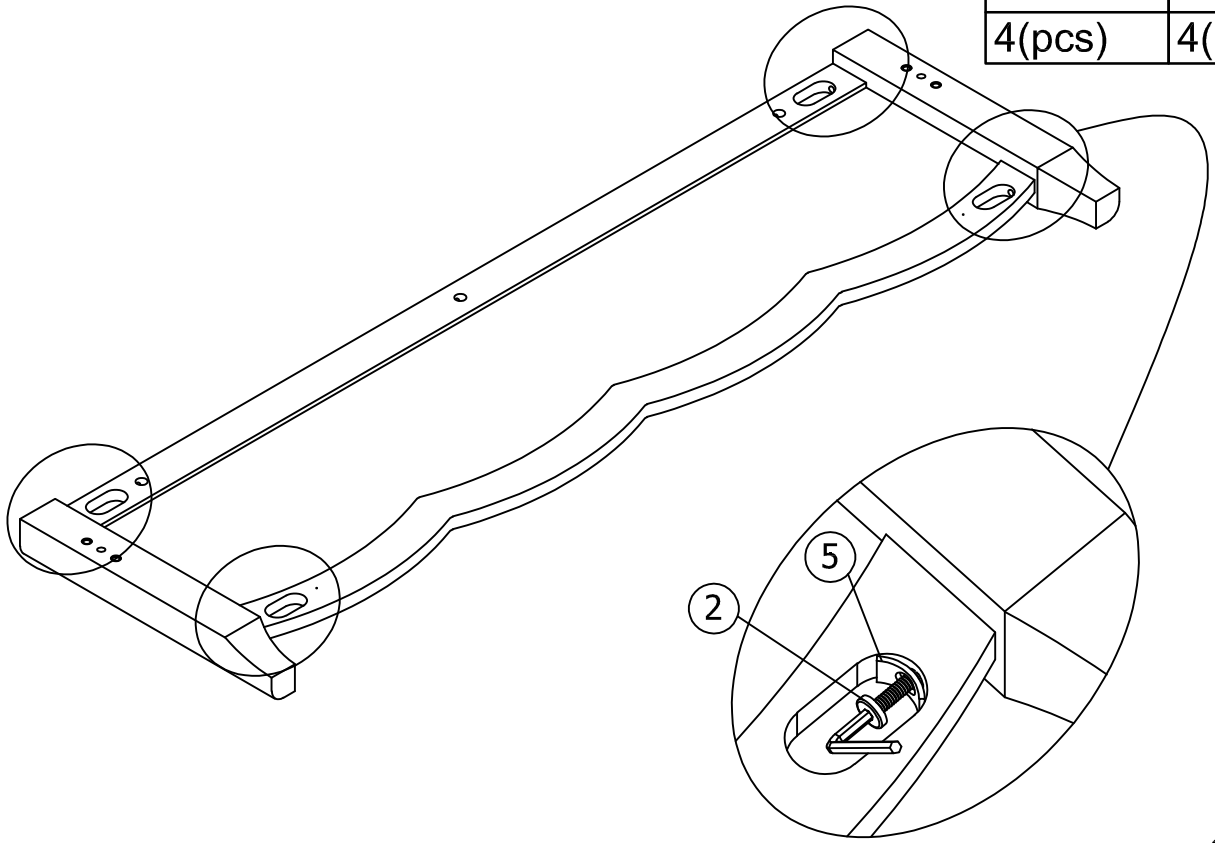
STEP3: Following below illustration.

6

6(pcs)



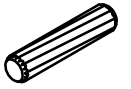
STEP4: Following below illustration.

5		2	
4(pcs)		4(pcs)	

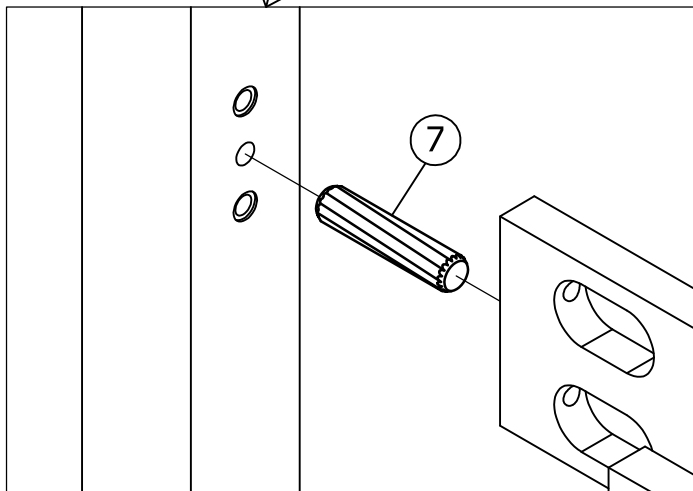
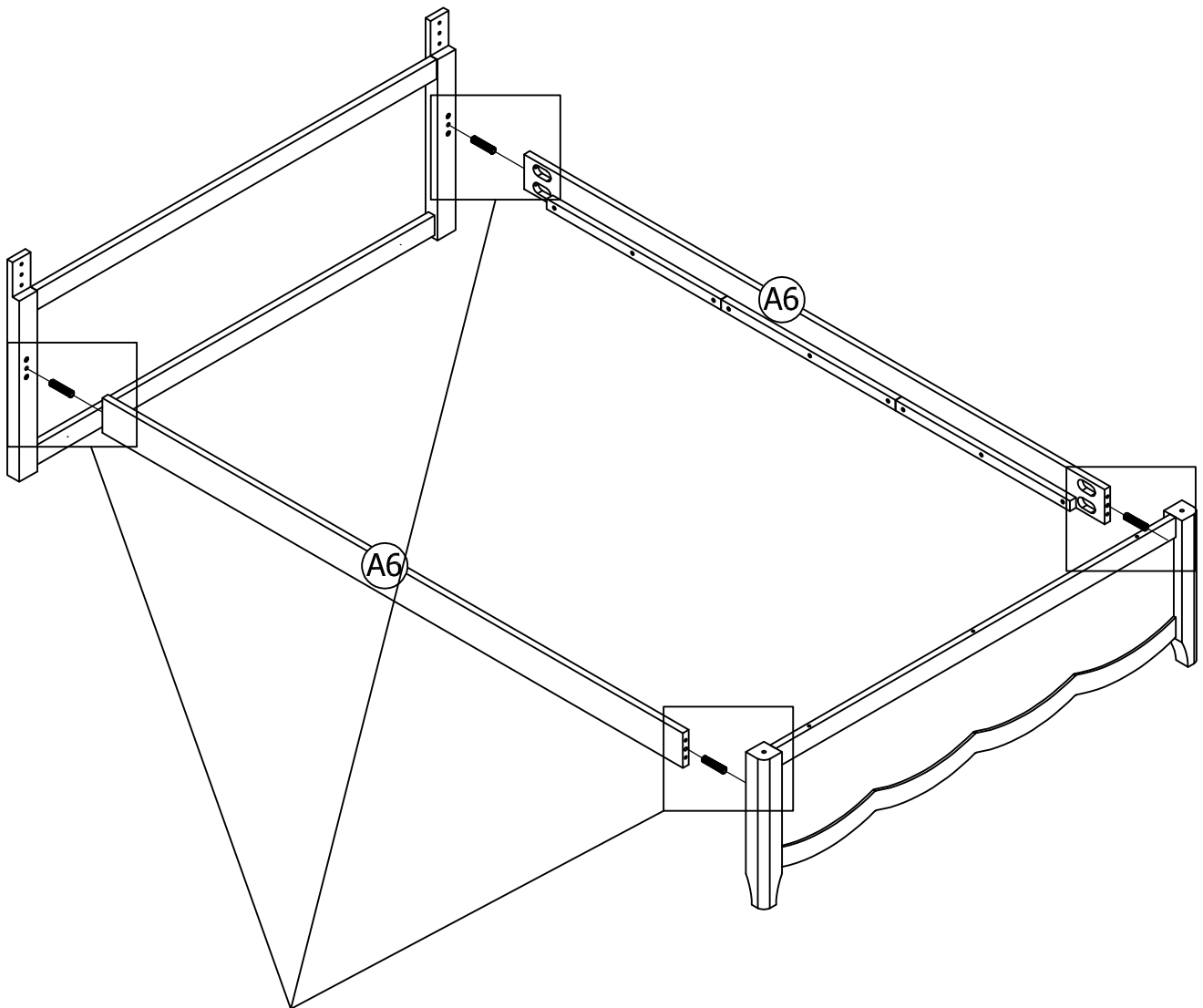


STEP5: Following below illustration.

7



4(pcs)



STEP 6: Following below illustration.

5

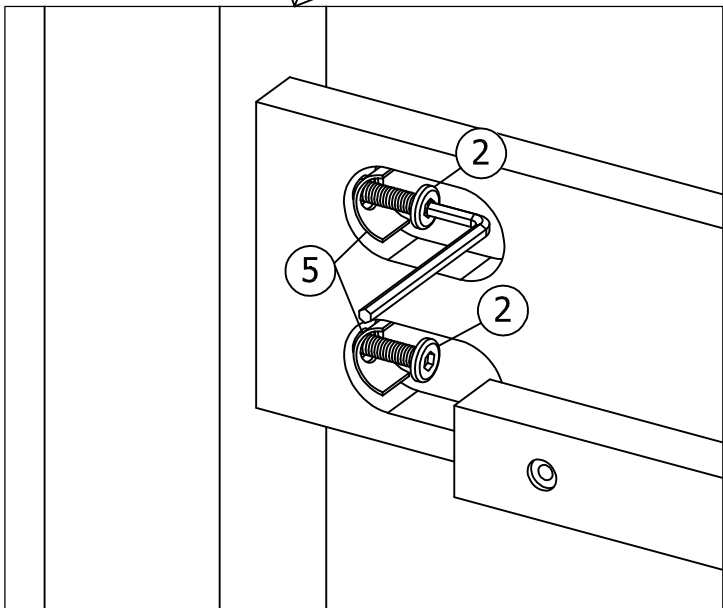
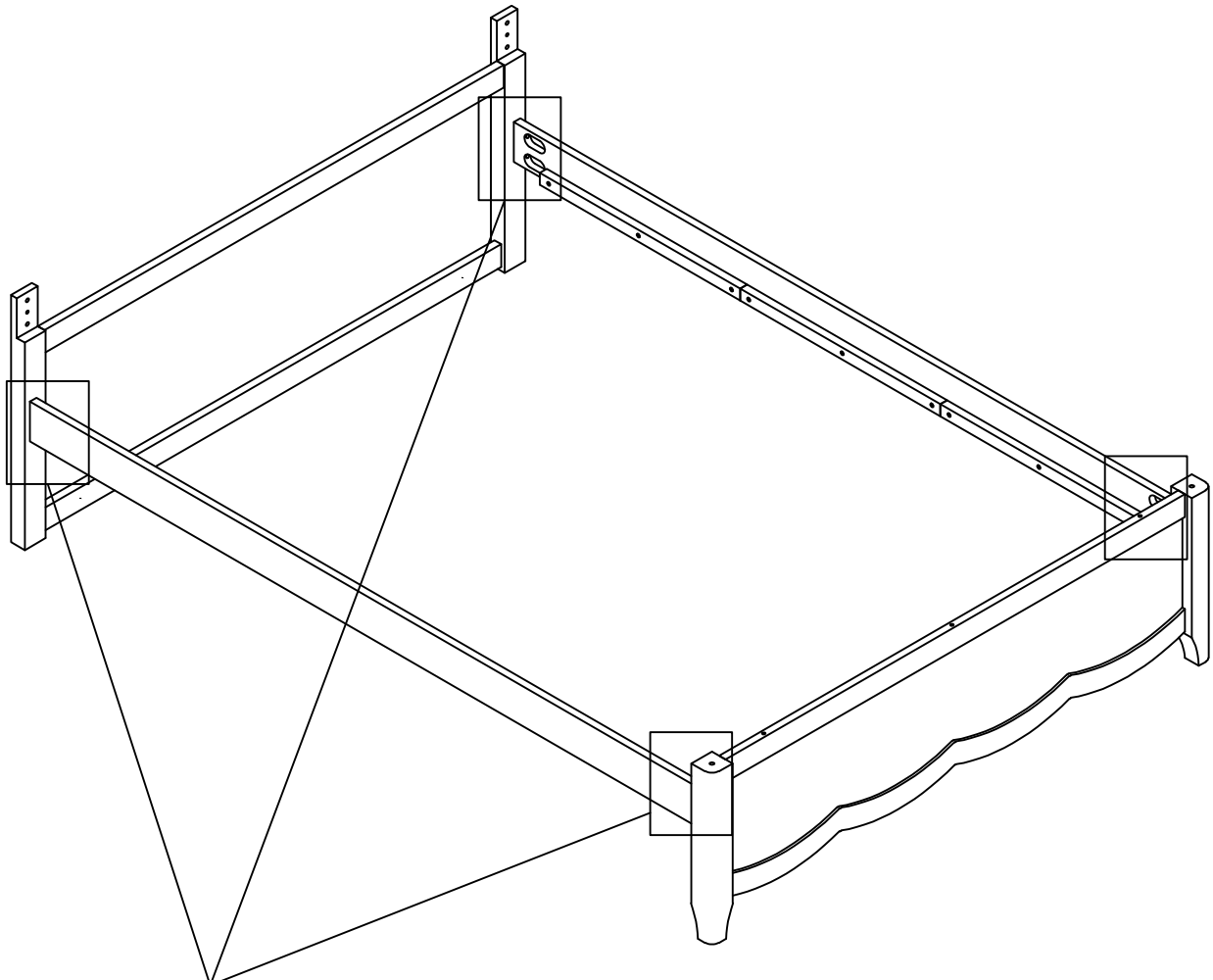


2



8(pcs)

8(pcs)



STEP7: Following below illustration.

6

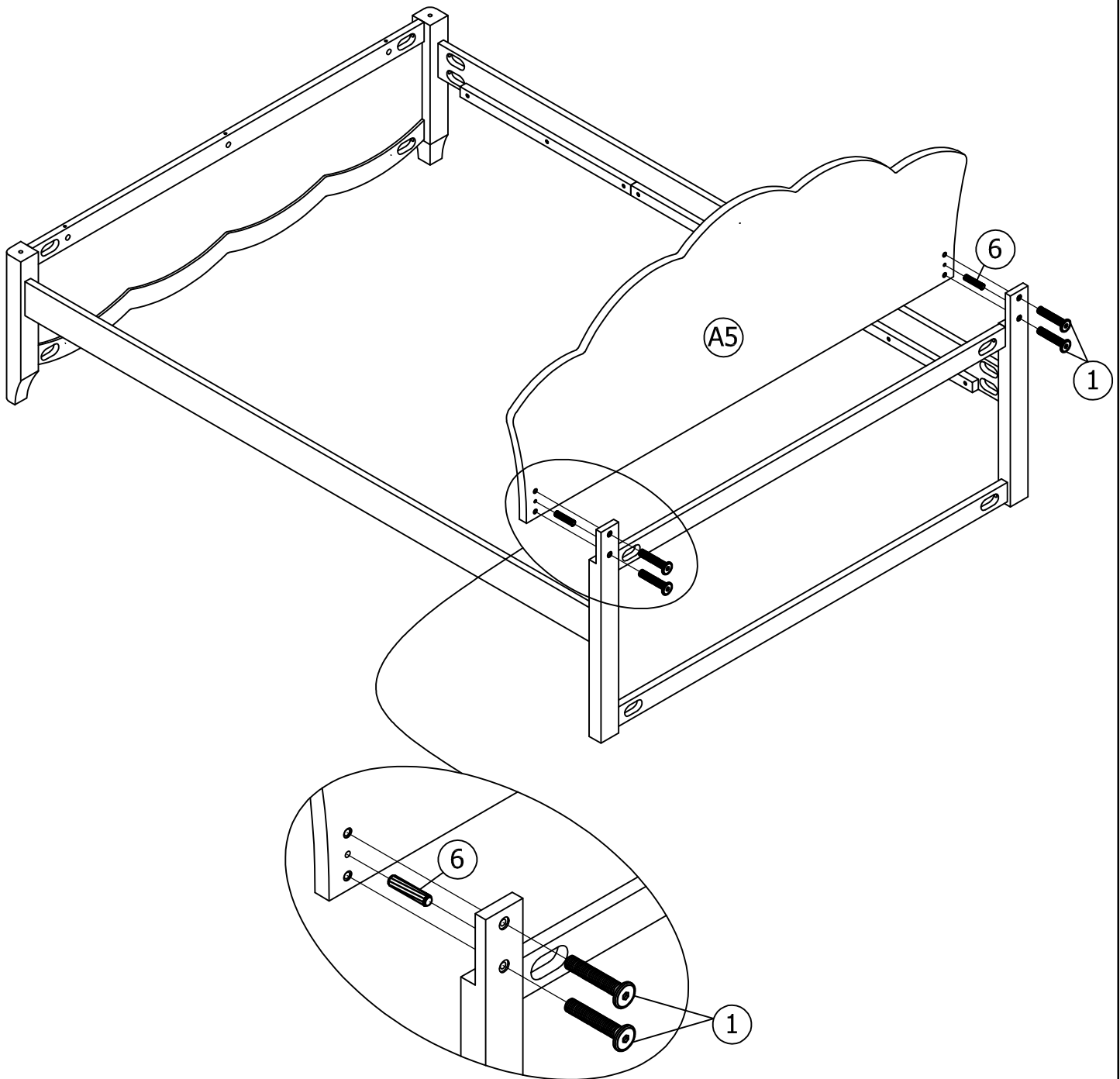


2(pcs)

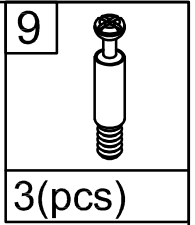
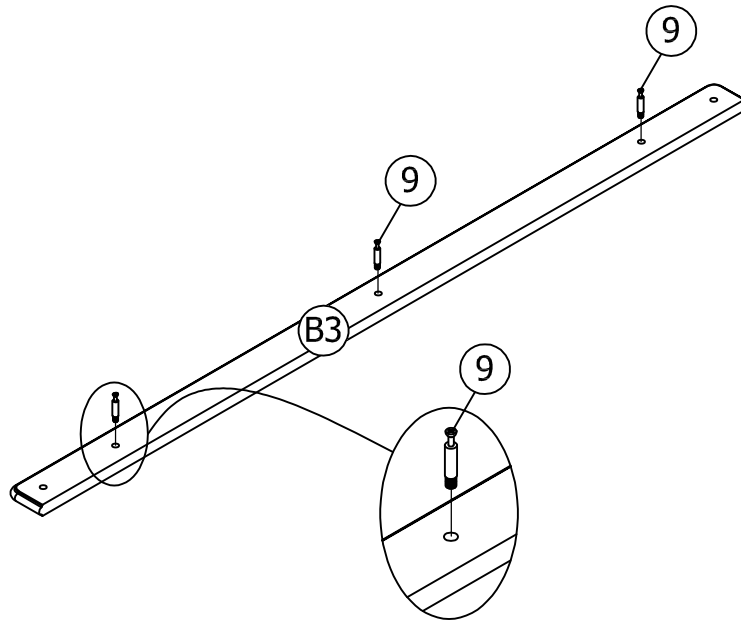
1



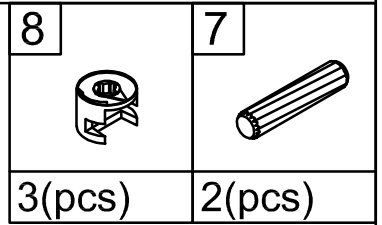
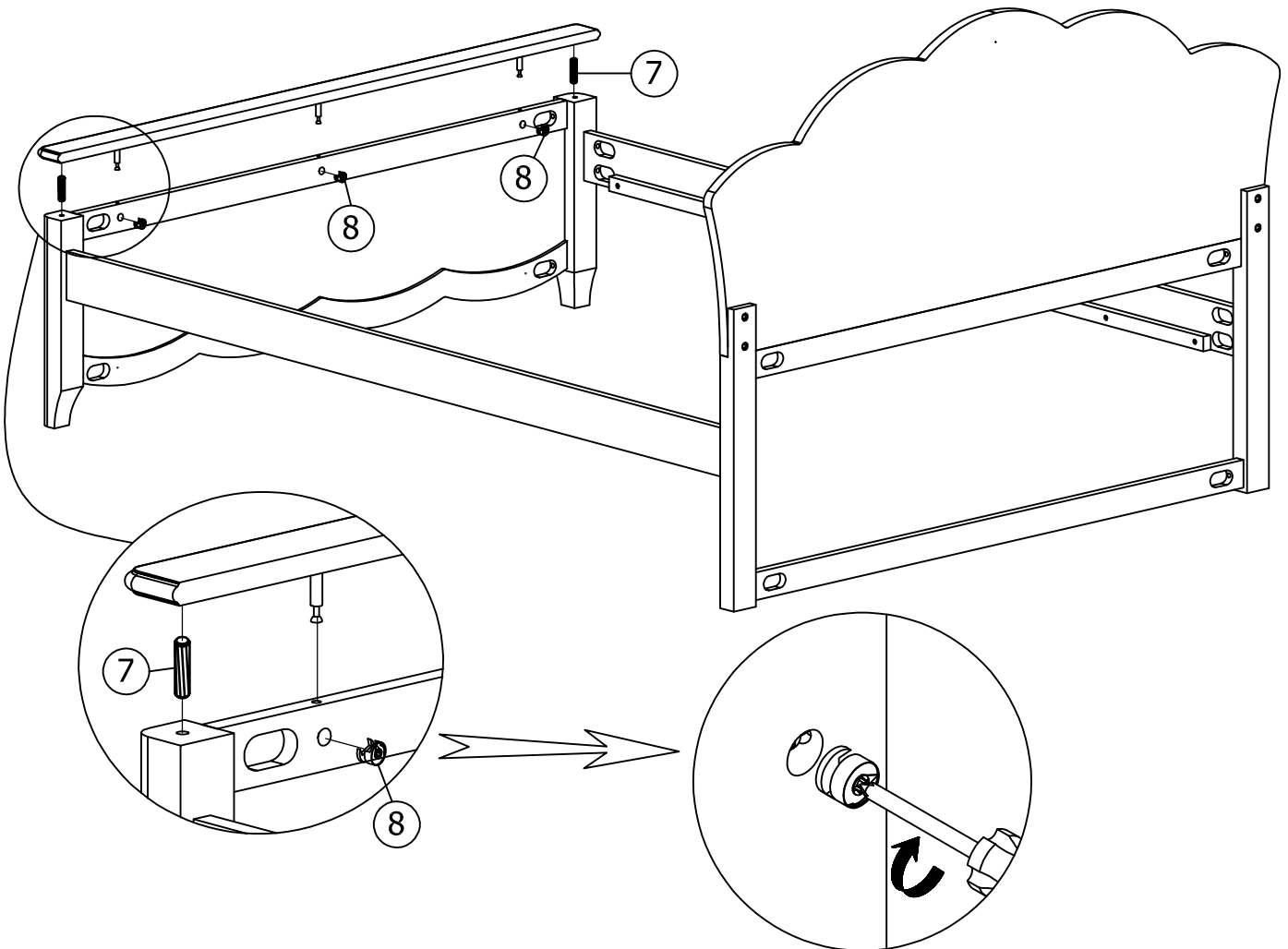
4(pcs)



STEP8: Following below illustration.



STEP9: Following below illustration.

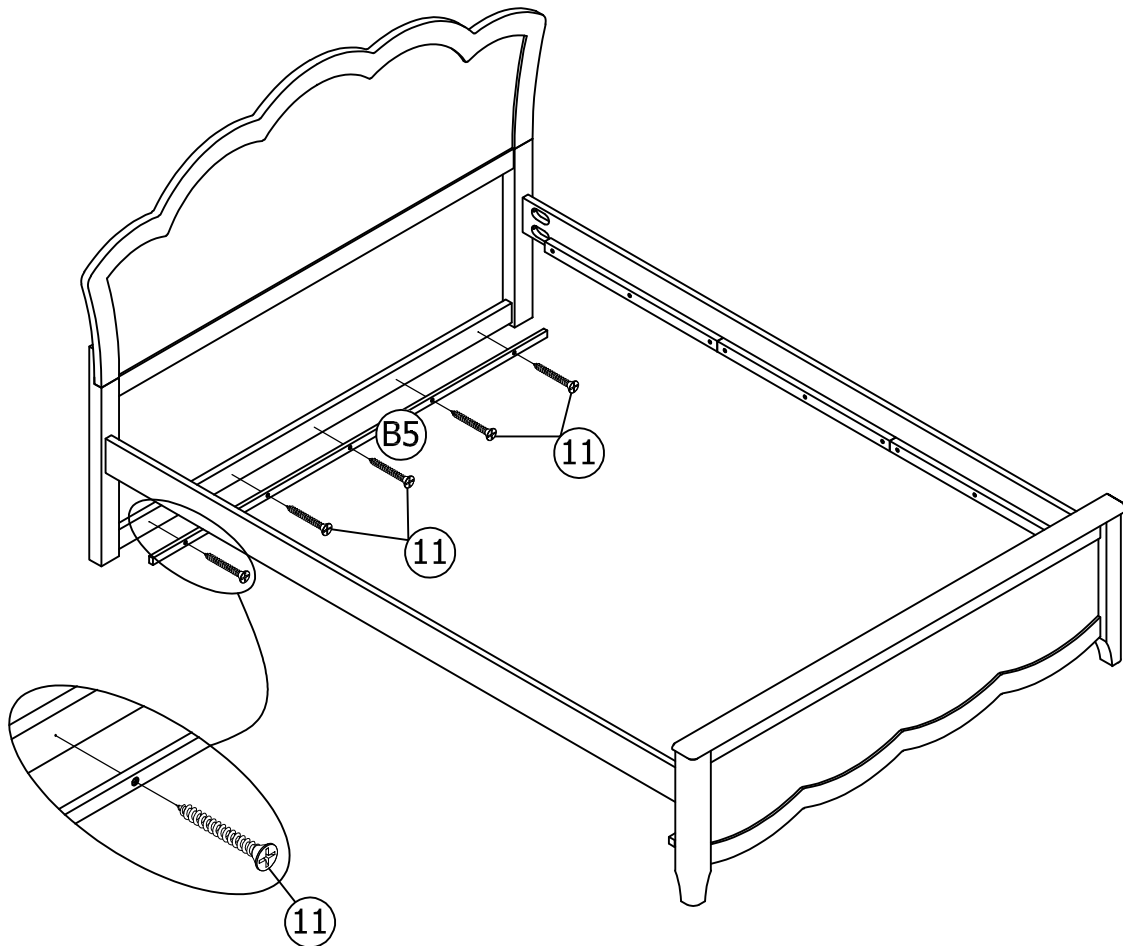


STEP10: Following below illustration.

11



5(pcs)

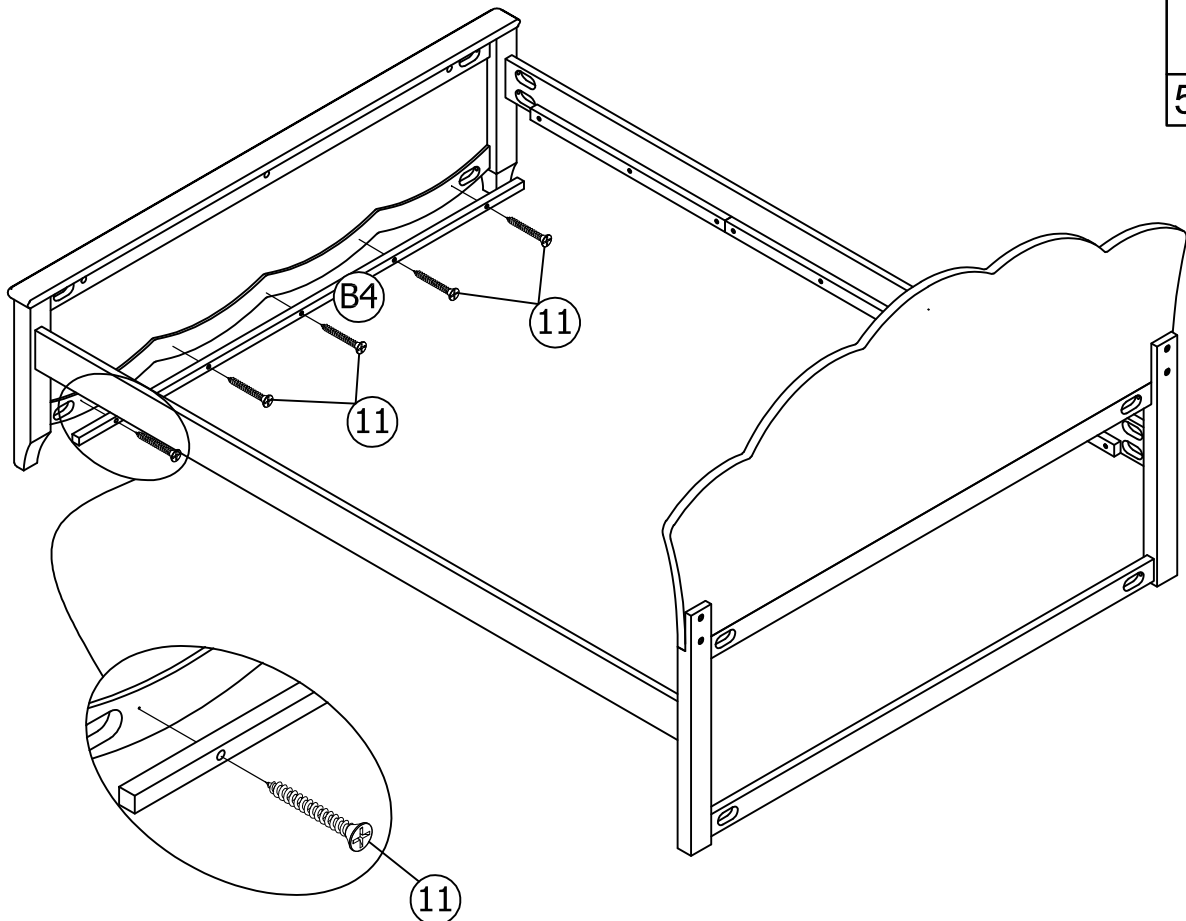


STEP11: Following below illustration.

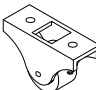
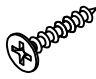
11

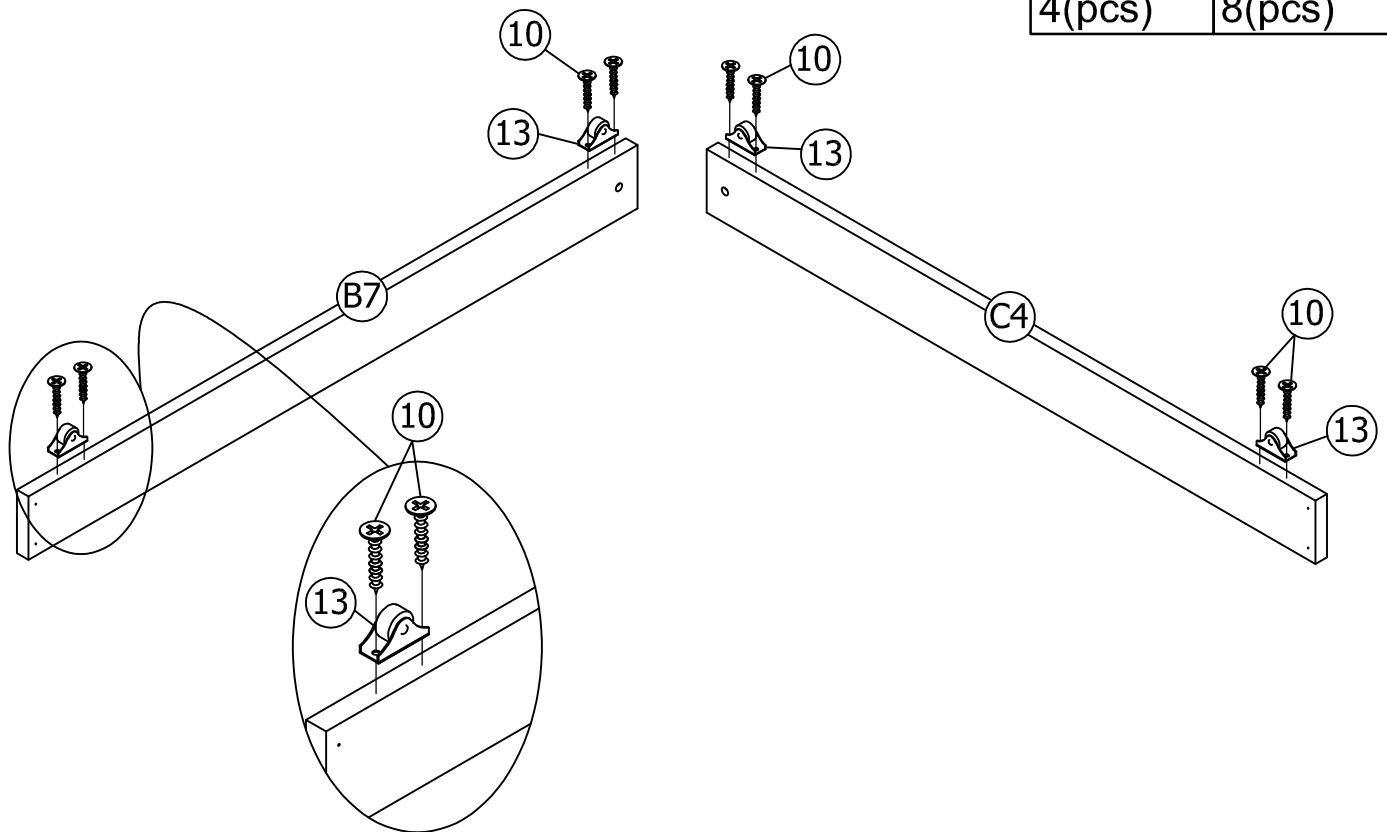


5(pcs)


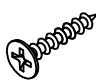


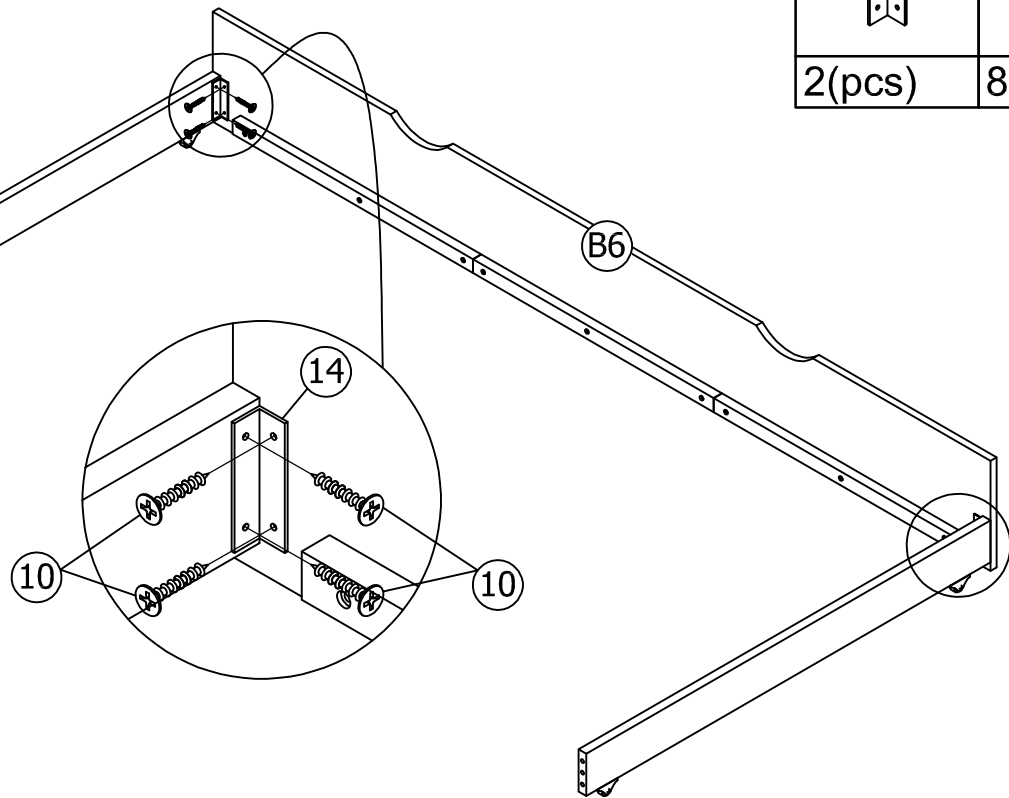
STEP12: Following below illustration.

13	10
	
4(pcs)	8(pcs)






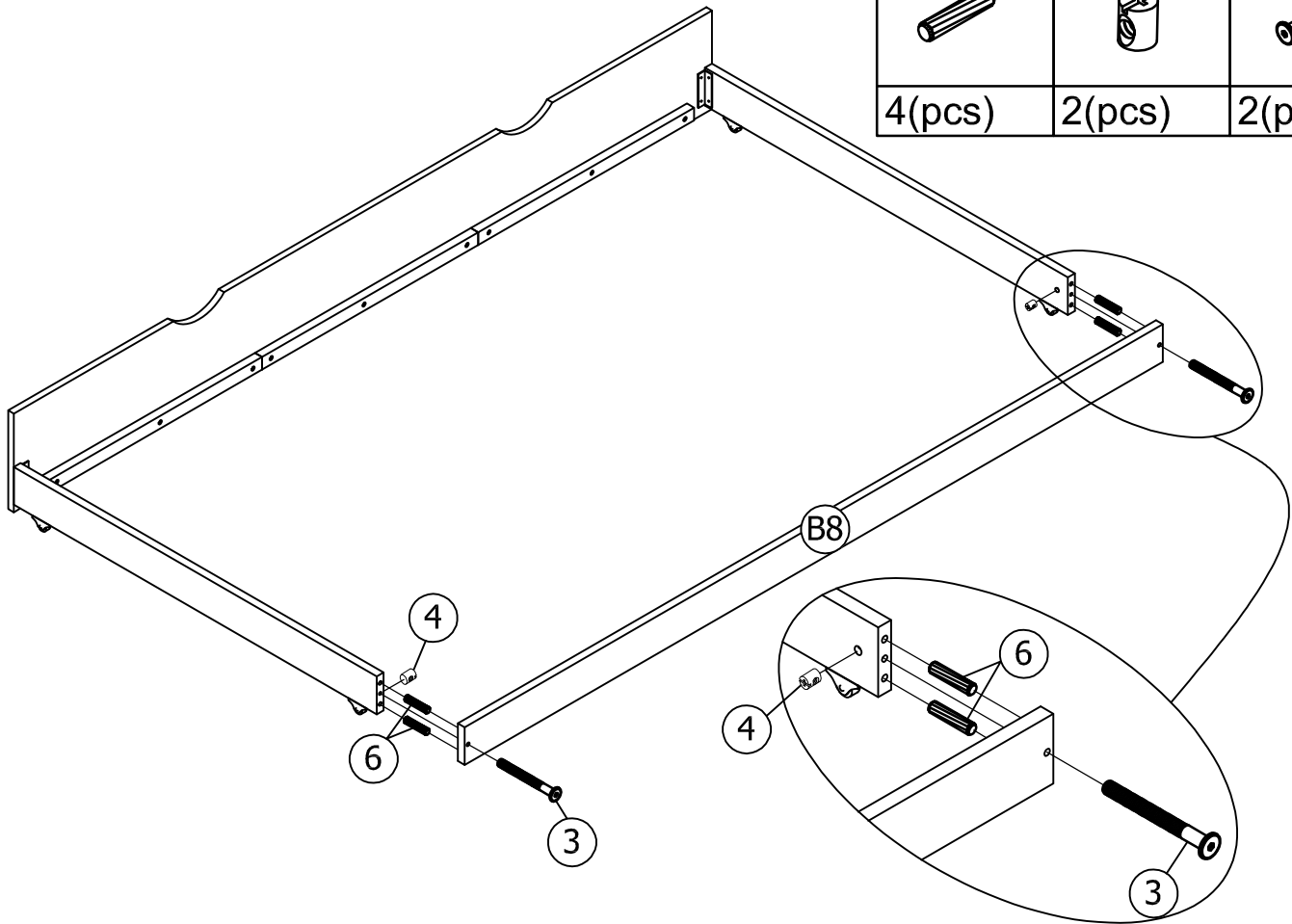
STEP13: Following below illustration.

14	10
	
2(pcs)	8(pcs)




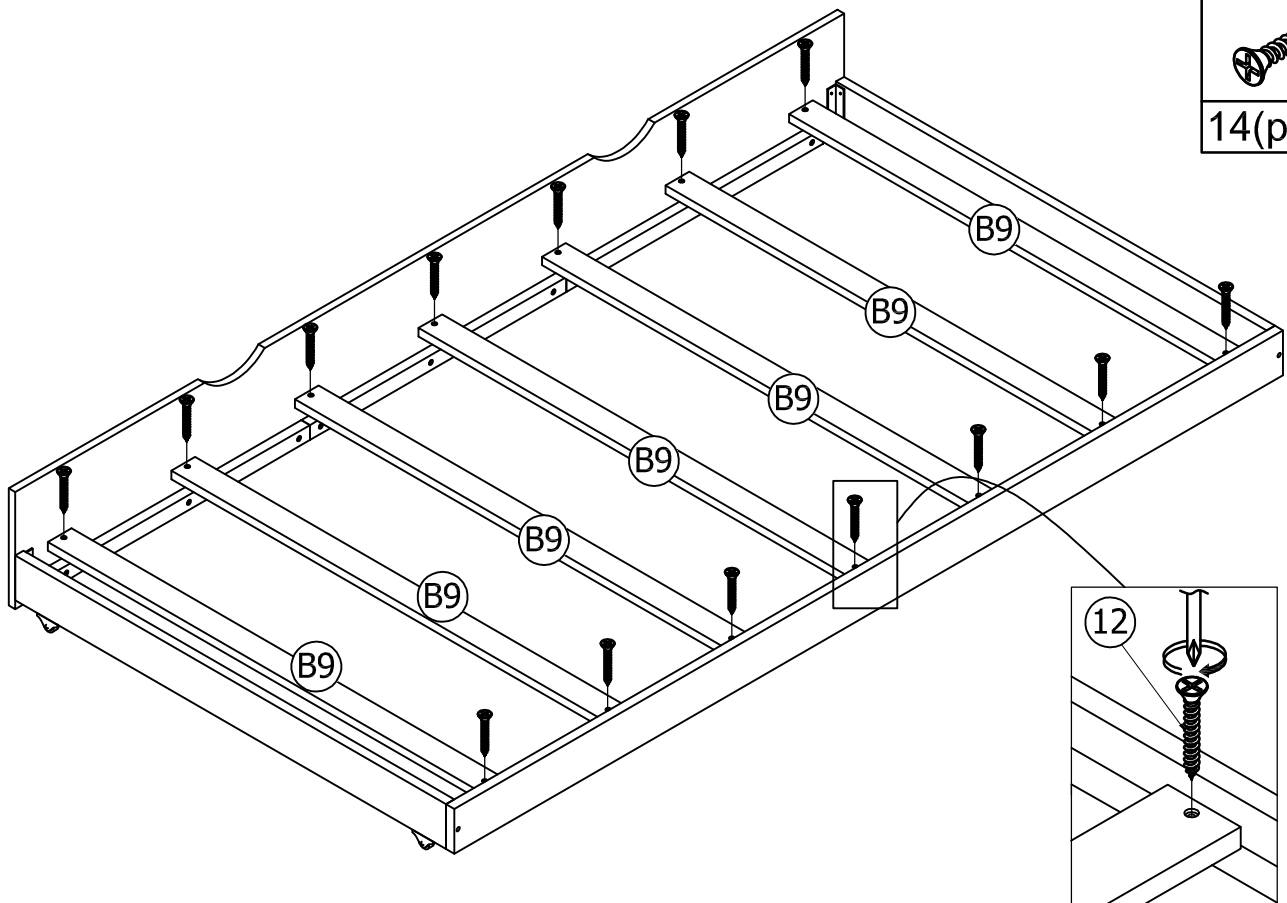
STEP14: Following below illustration.

6	4	3
		
4(pcs)	2(pcs)	2(pcs)



STEP15: Following below illustration.

12

14(pcs)

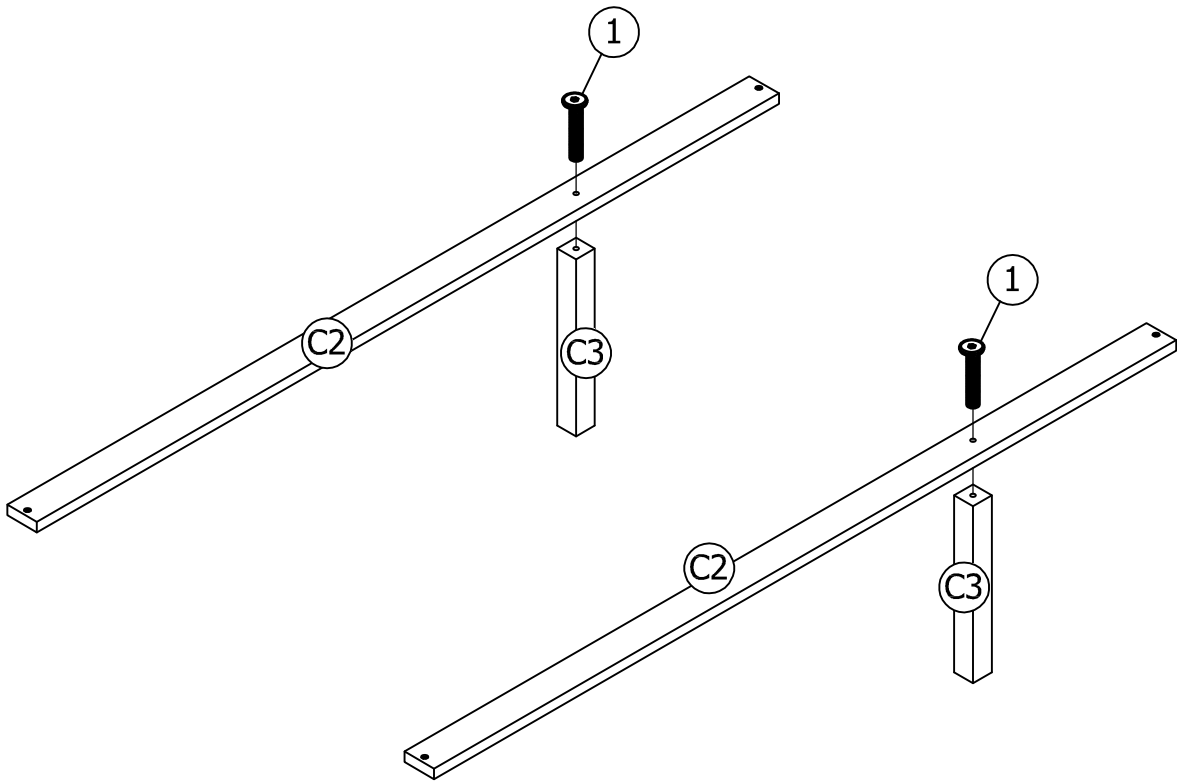


STEP16: Following below illustration.

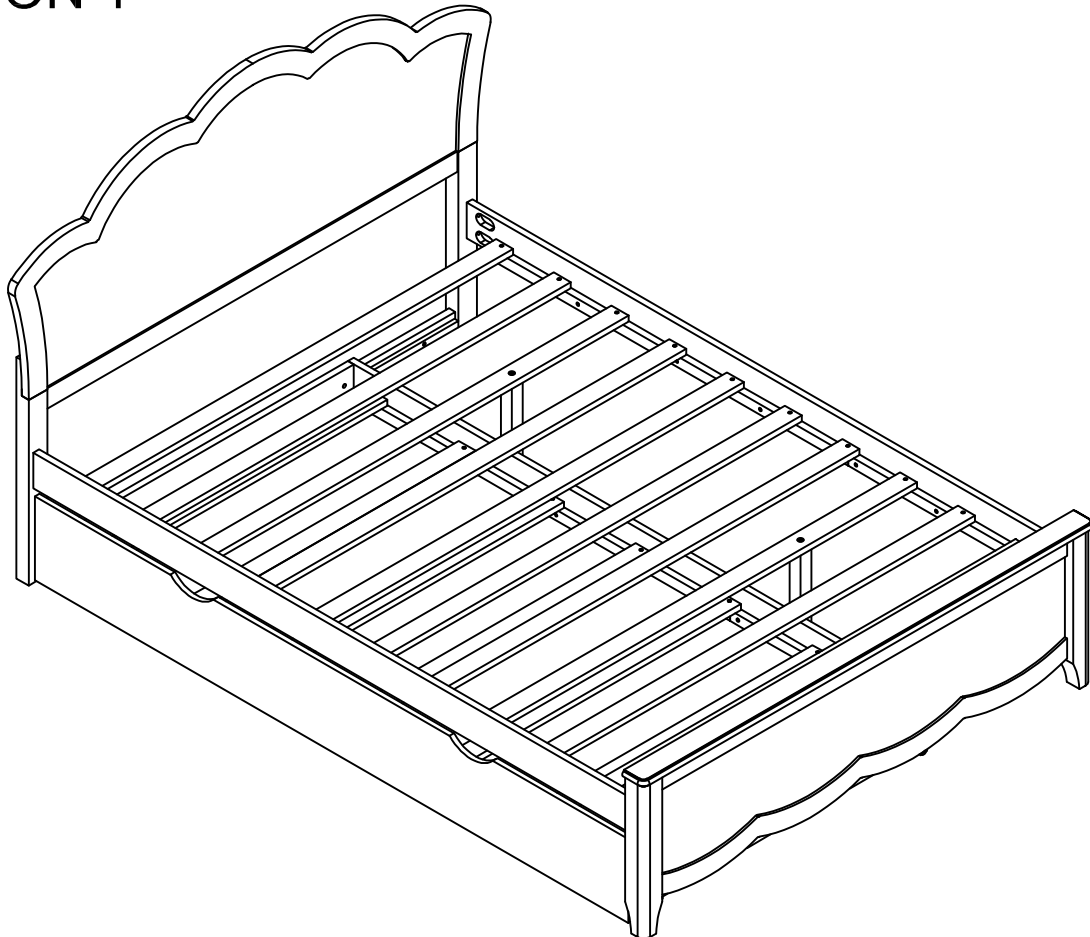
1



2(pcs)



OPTION 1

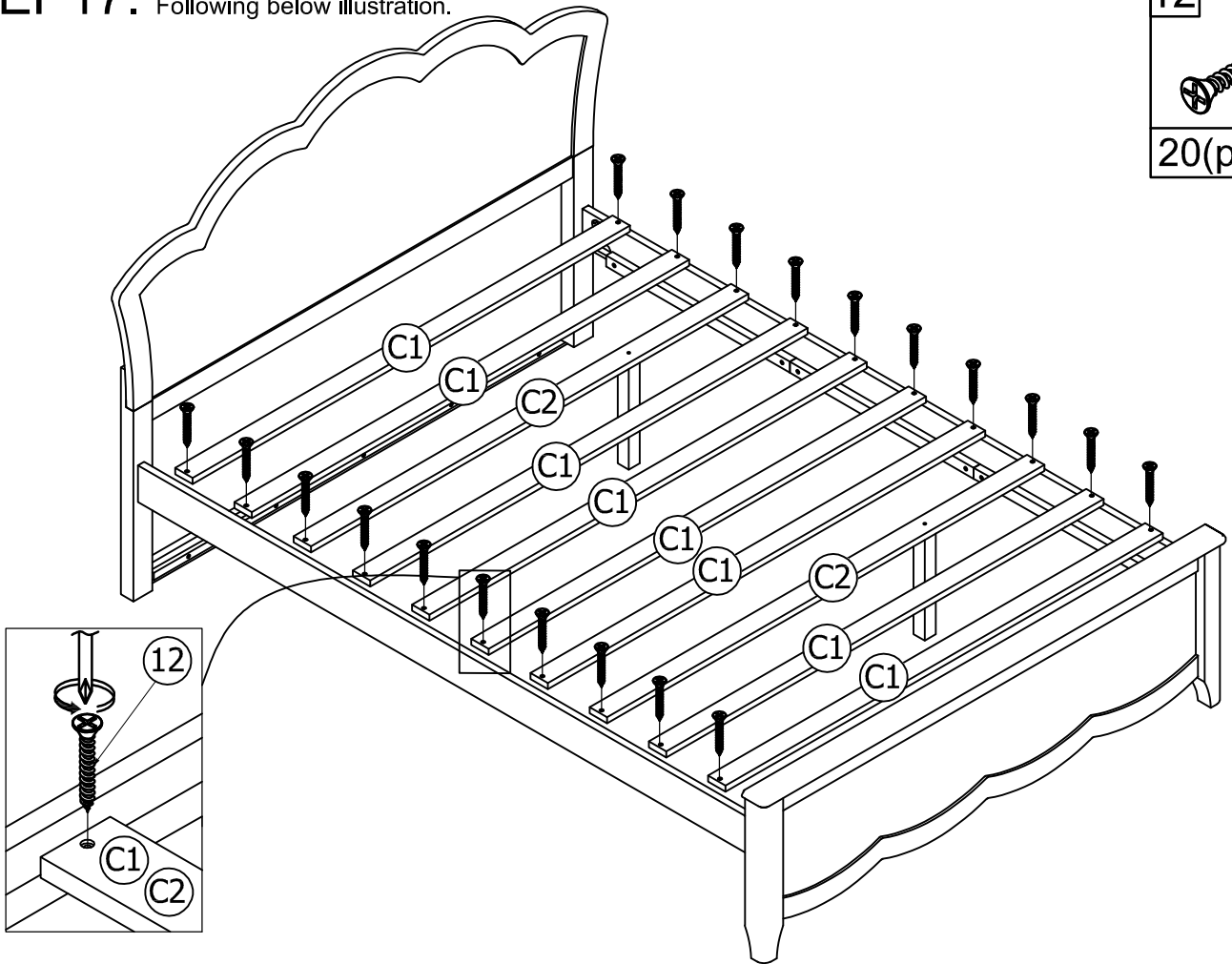


STEP17: Following below illustration.

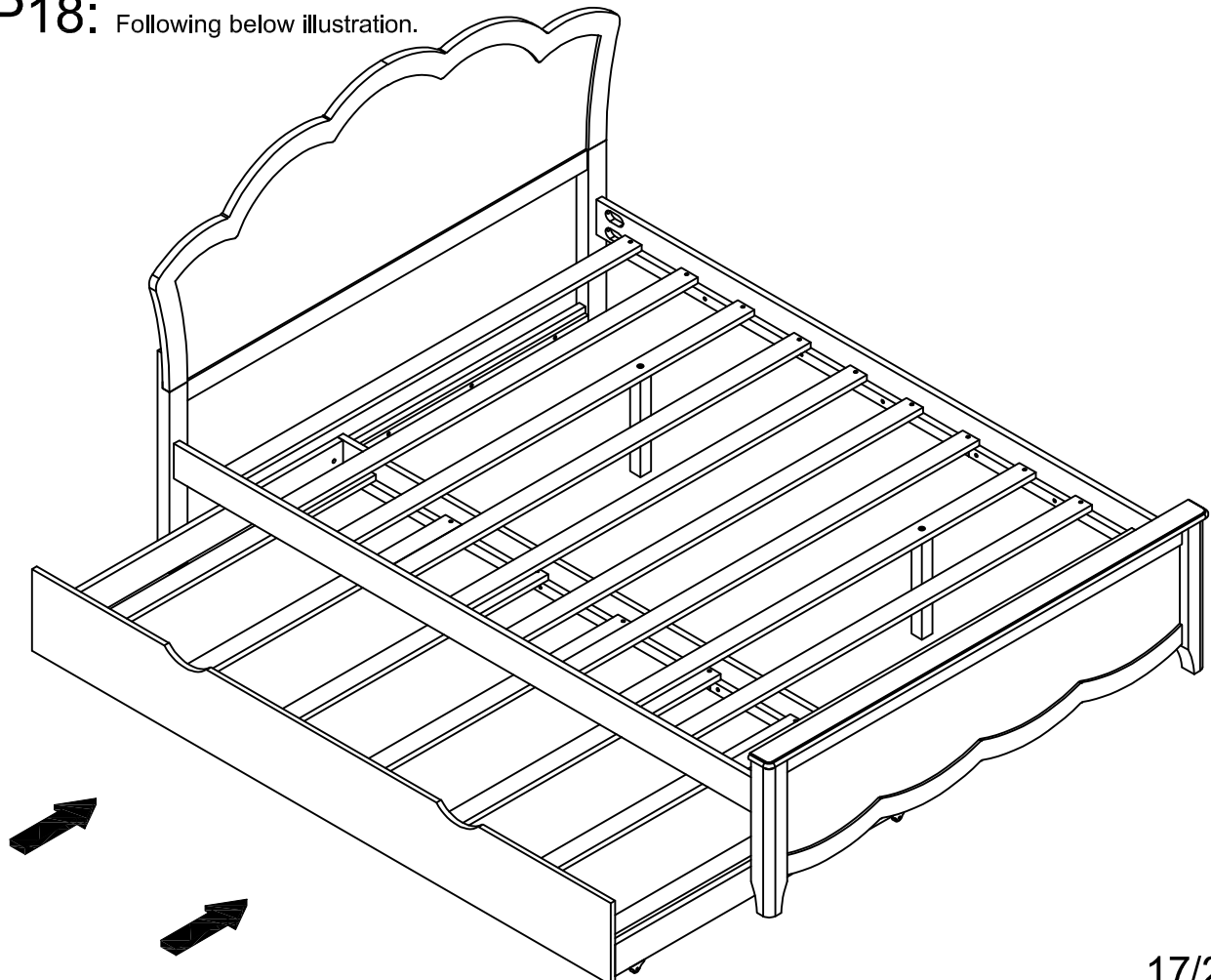
12



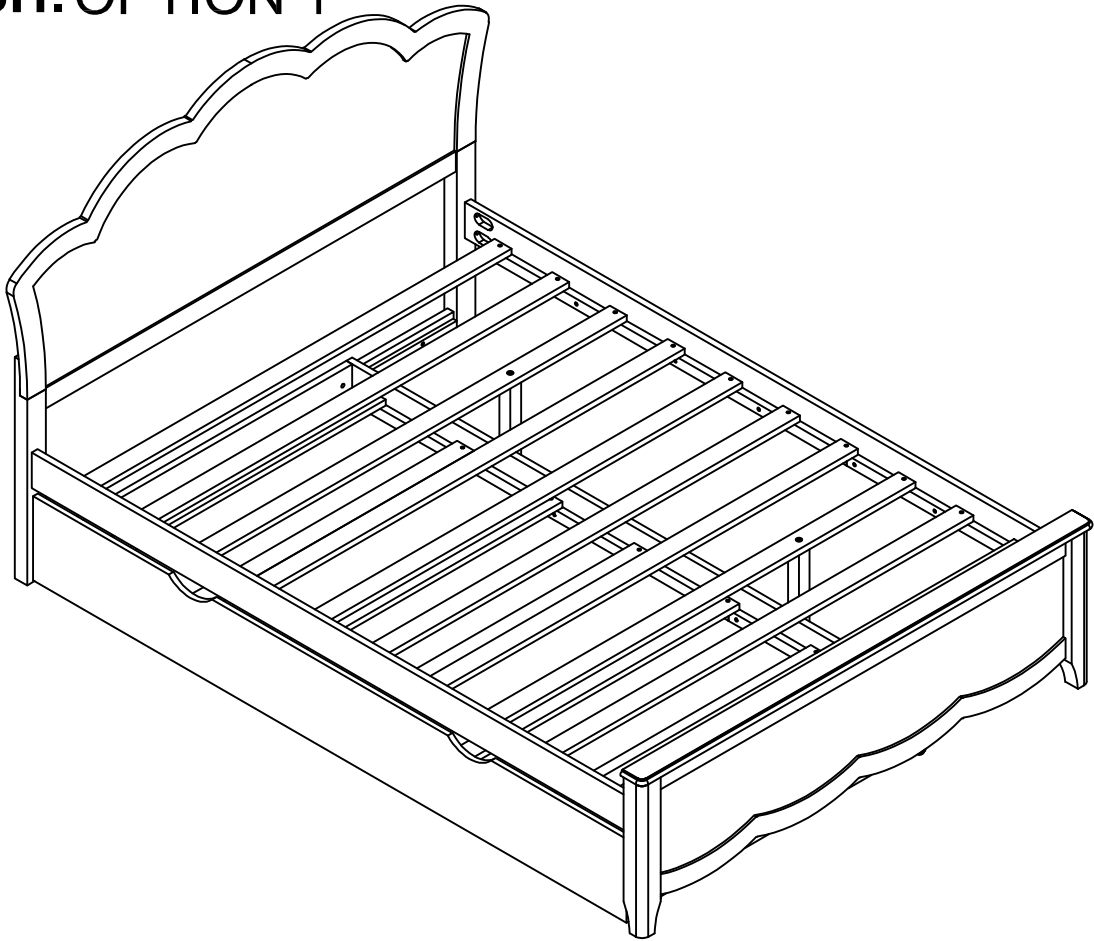
20(pcs)



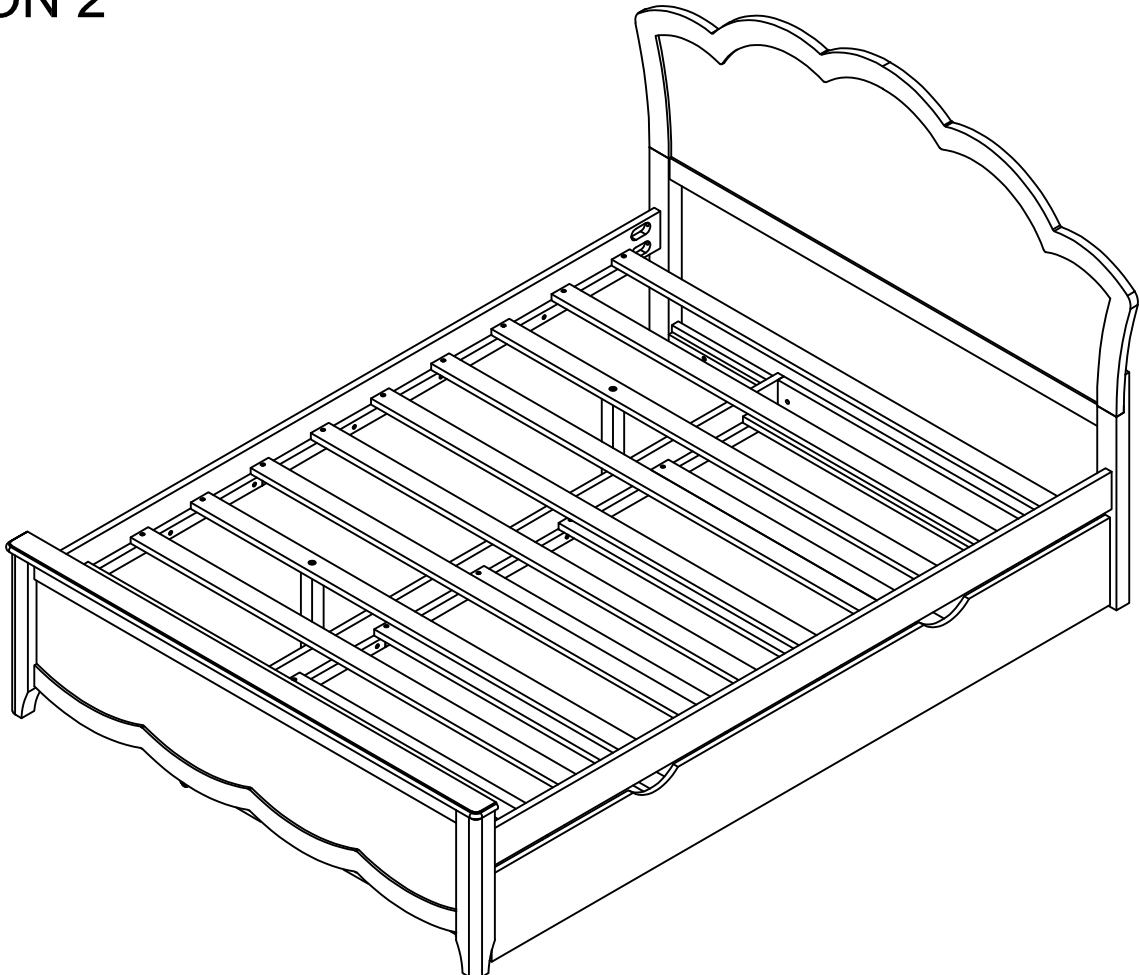
STEP18: Following below illustration.



FINISH: OPTION 1



OPTION 2

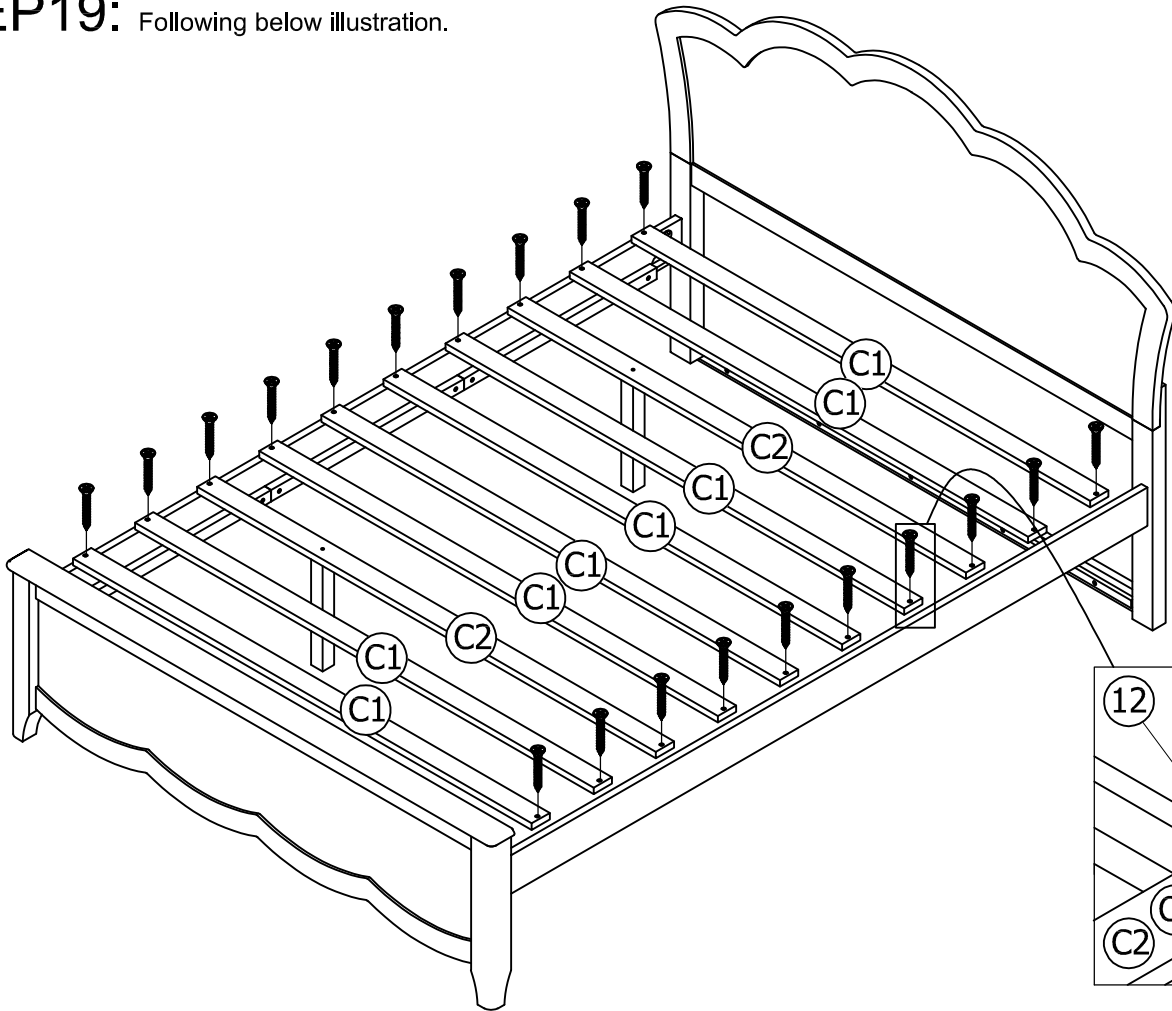


STEP19: Following below illustration.

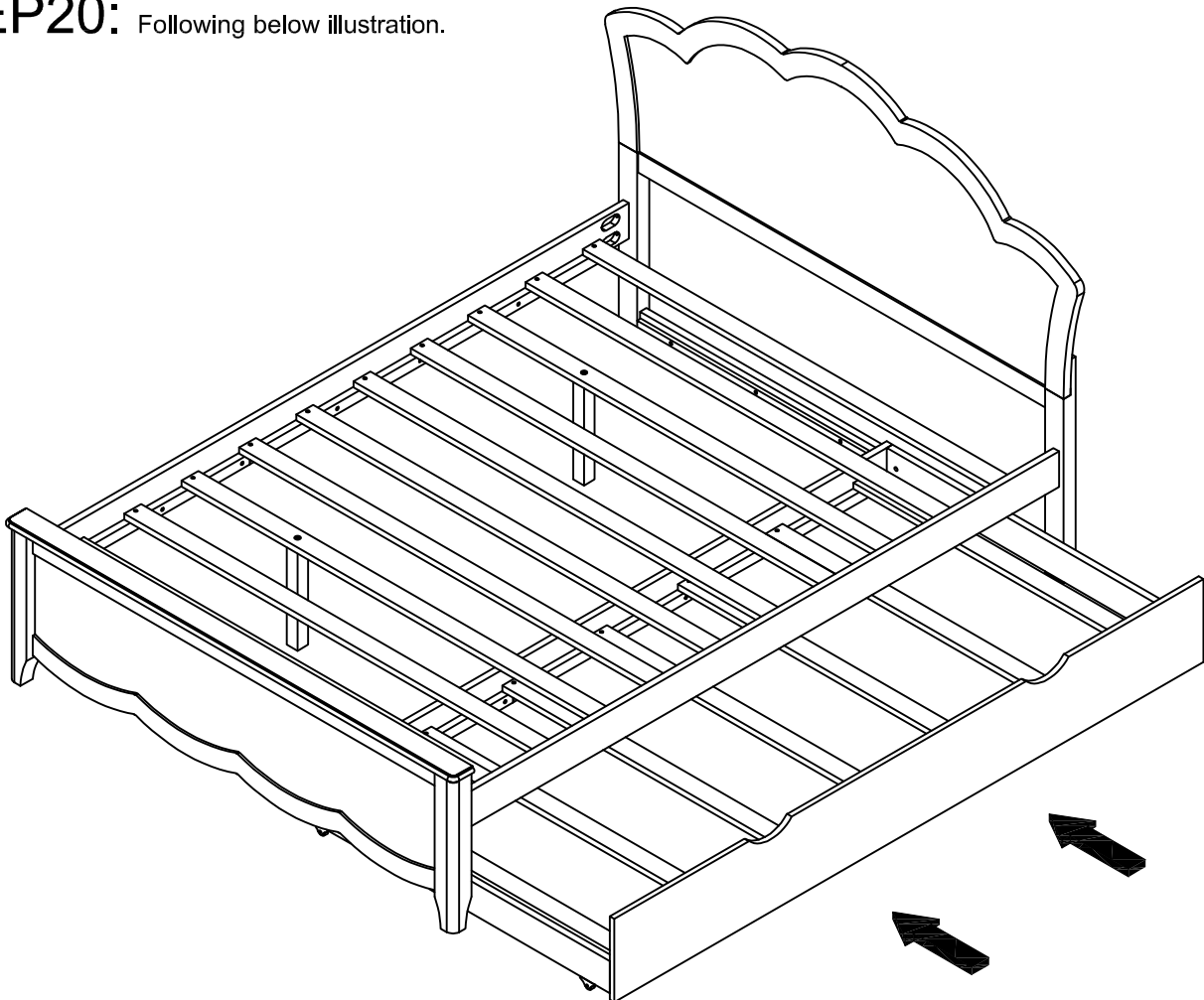
12



20(pcs)



STEP20: Following below illustration.



FINISH: OPTION 2

