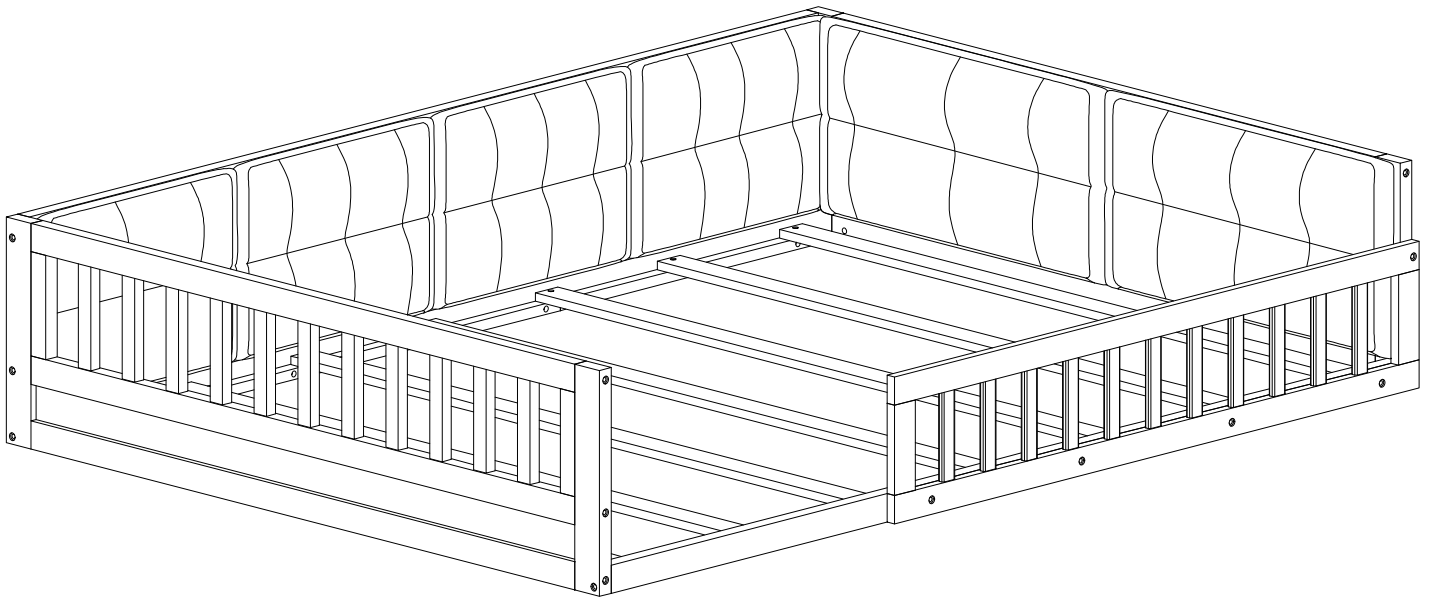
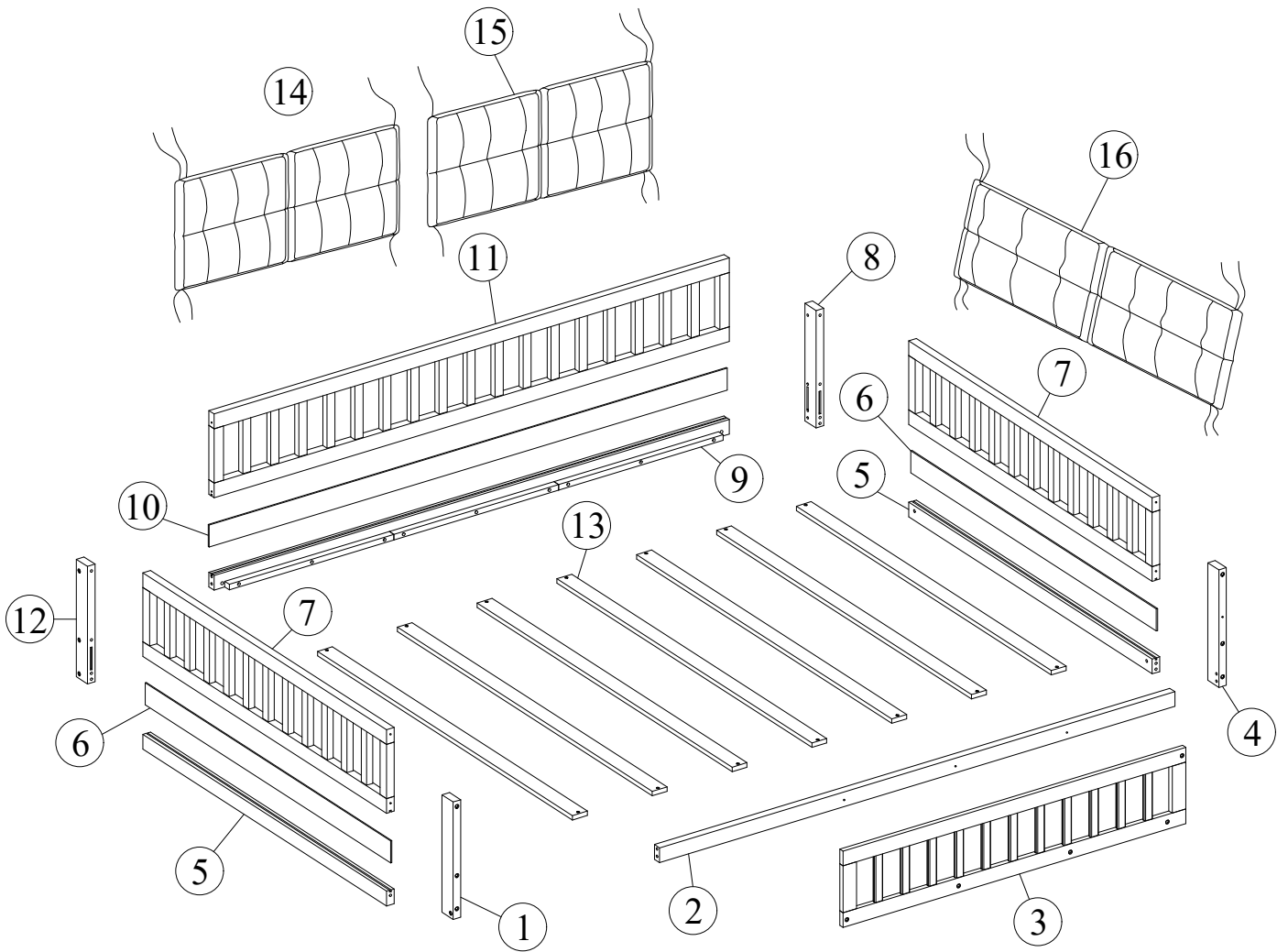


ASSEMBLY INSTRUCTION

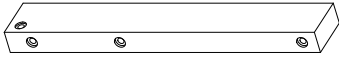
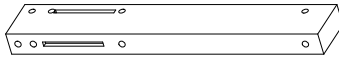
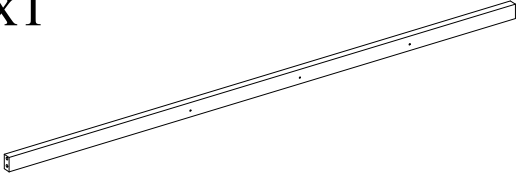
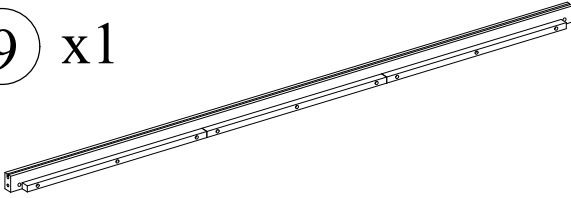
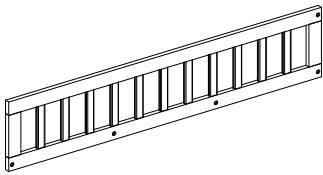
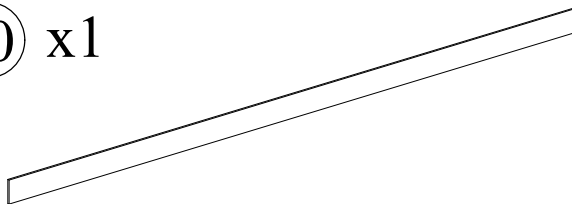
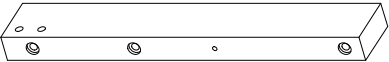
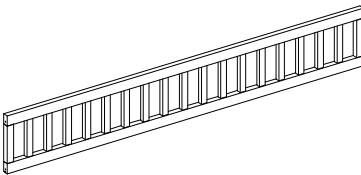
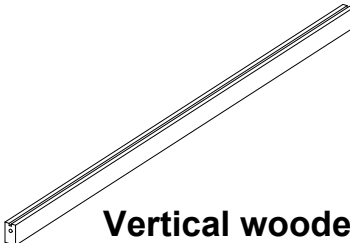
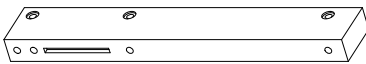
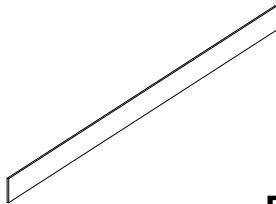

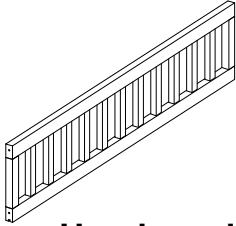
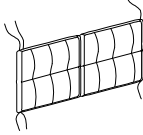
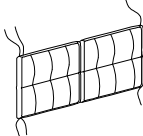
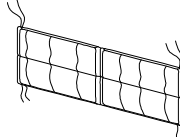
SKU CODE: WF323090



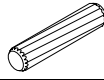


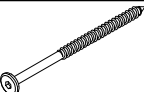
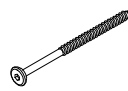
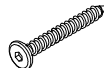

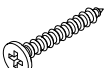

Detail:



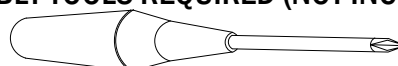
Part List (WF323090)

<p>① x1</p>  <p style="text-align: center;">Front (left) Leg</p>	<p>⑧ x1</p>  <p style="text-align: center;">Back (right) Leg</p>
<p>② x1</p>  <p style="text-align: center;">Side Rail</p>	<p>⑨ x1</p>  <p style="text-align: center;">Side Rail</p>
<p>③ x1</p>  <p style="text-align: center;">Front (right) Leg</p>	<p>⑩ x1</p>  <p style="text-align: center;">Panel</p>
<p>④ x1</p>  <p style="text-align: center;">Front (right) Leg</p>	<p>⑪ x1</p>  <p style="text-align: center;">Vertical railing</p>
<p>⑤ x2</p>  <p style="text-align: center;">Vertical wooden bar</p>	<p>⑫ x1</p>  <p style="text-align: center;">Back (left) Leg</p>
<p>⑥ x2</p>  <p style="text-align: center;">Panel</p>	<p>⑬ x7</p>  <p style="text-align: center;">Slats</p>
<p>⑦ x2</p>  <p style="text-align: center;">Hearboard & footboard</p>	<p>⑭ x1</p>  <p style="text-align: center;">Fabric</p>
	<p>⑮ x1</p>  <p style="text-align: center;">Fabric</p>
	<p>⑯ x1</p>  <p style="text-align: center;">Fabric</p>

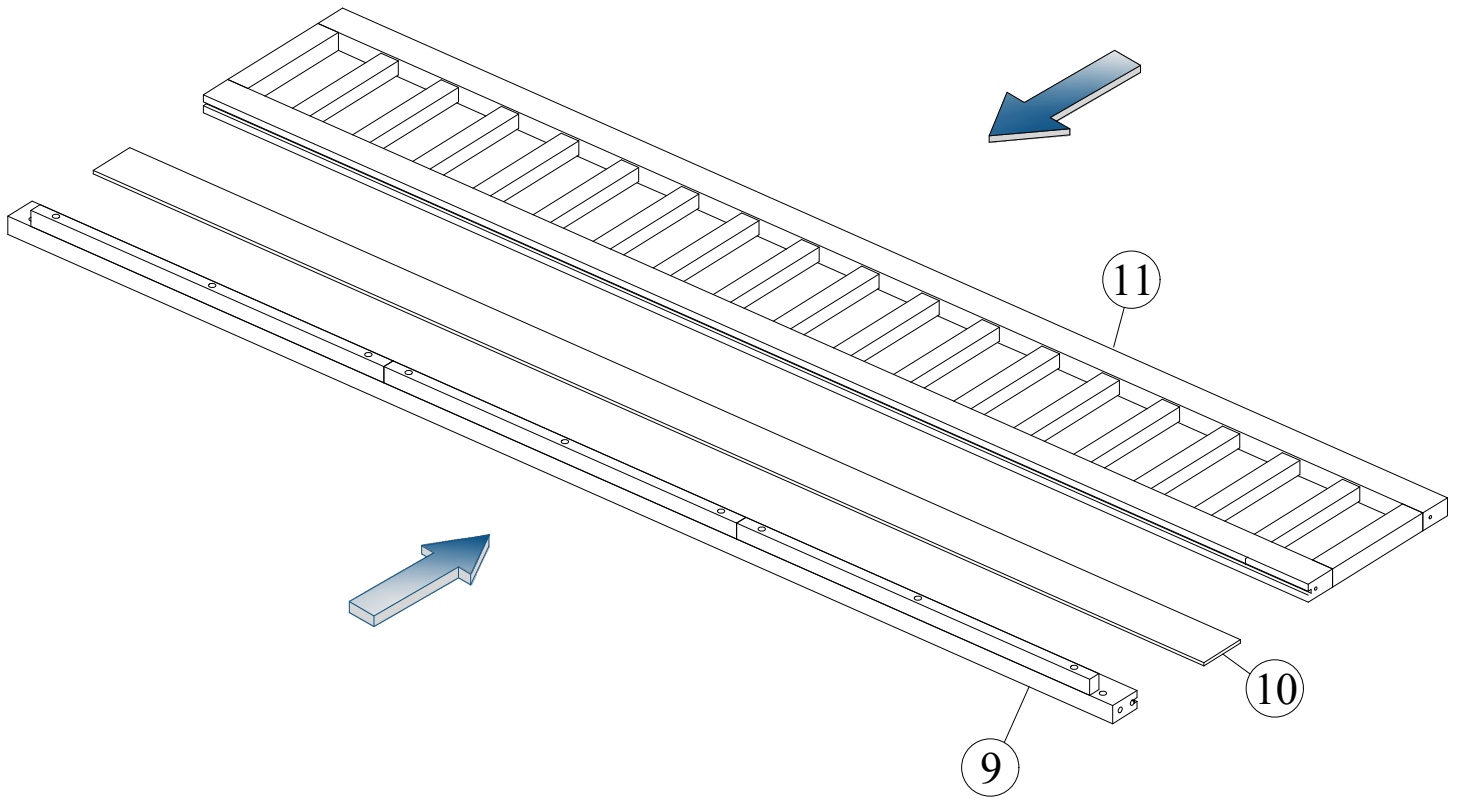
Hardware List (WF323090)

No.	OUTLOOK	DESC	QTY
(A)		Dowel Ø8*30mm	4pcs
(B)		Bolts M6*100mm	4pcs
(C)		Bolts M6*70mm	4pcs
(D)		Bolts M6*90mm	8pcs
(E)		Bolts M6*60mm	4pcs
(G)		Bolts M6*30mm	5pcs
(H)		Cross dowel M6*13mm	8pcs
(I)		Flat head screw #8*30mm	14pcs
(K)		Allen key 60*22*4mm	1pc

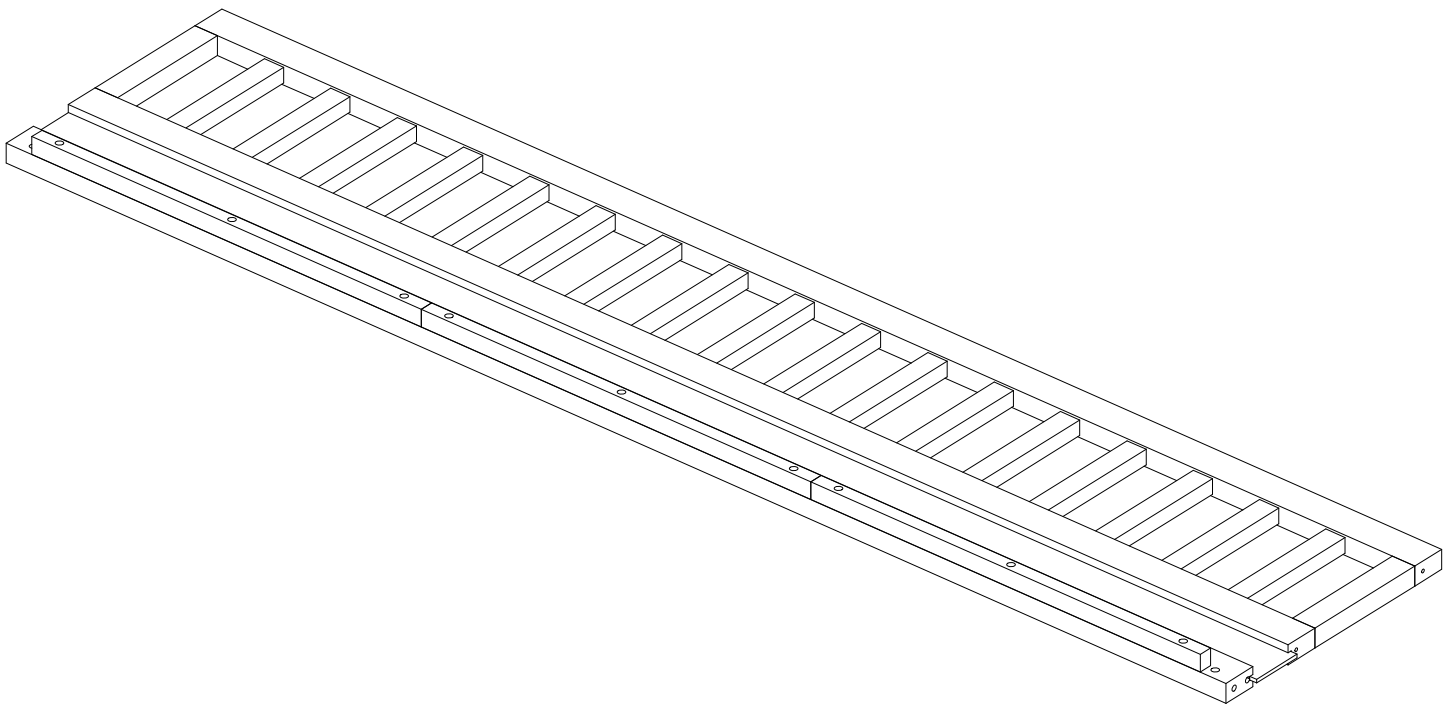
ASSEMBLY TOOLS REQUIRED (NOT INCLUDED)



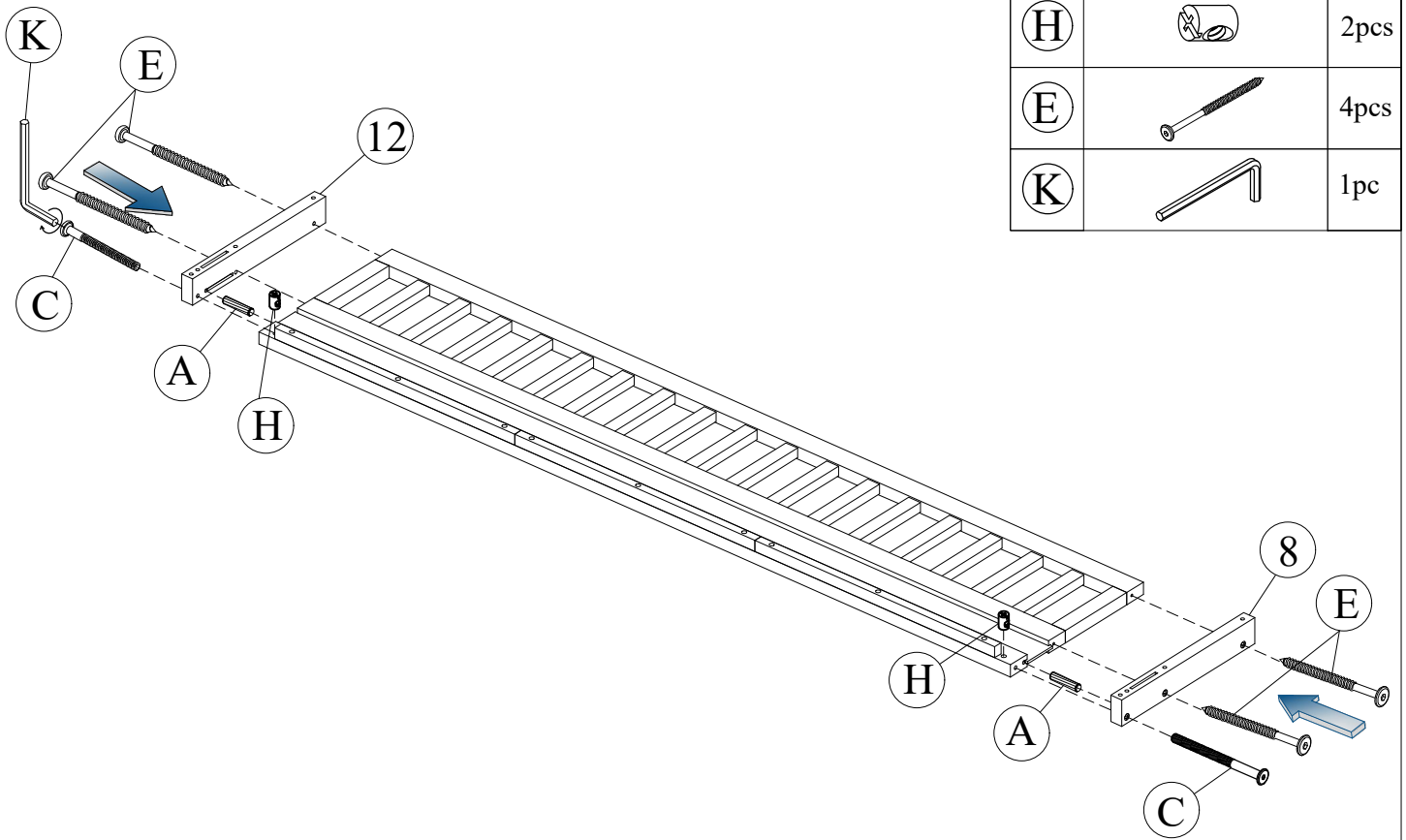
STEP 1



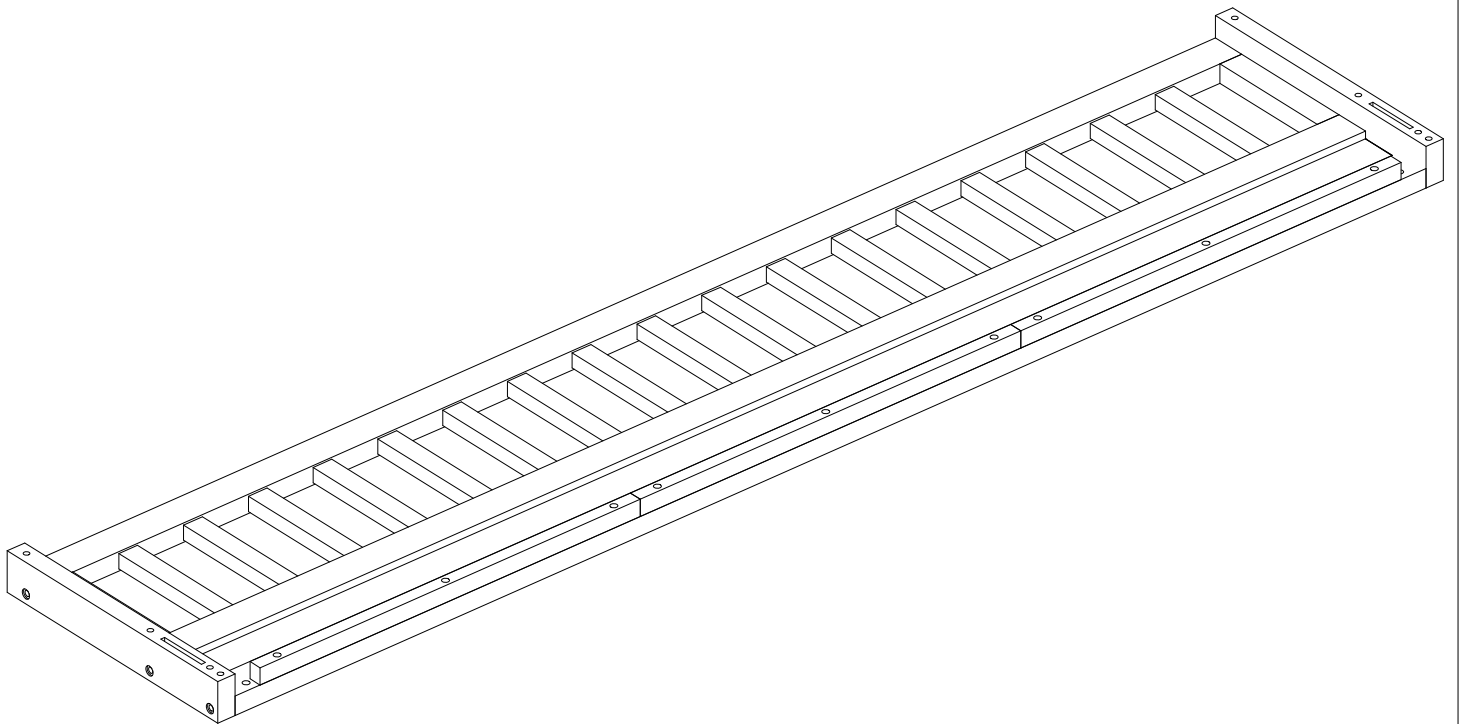
STEP 2






STEP 3

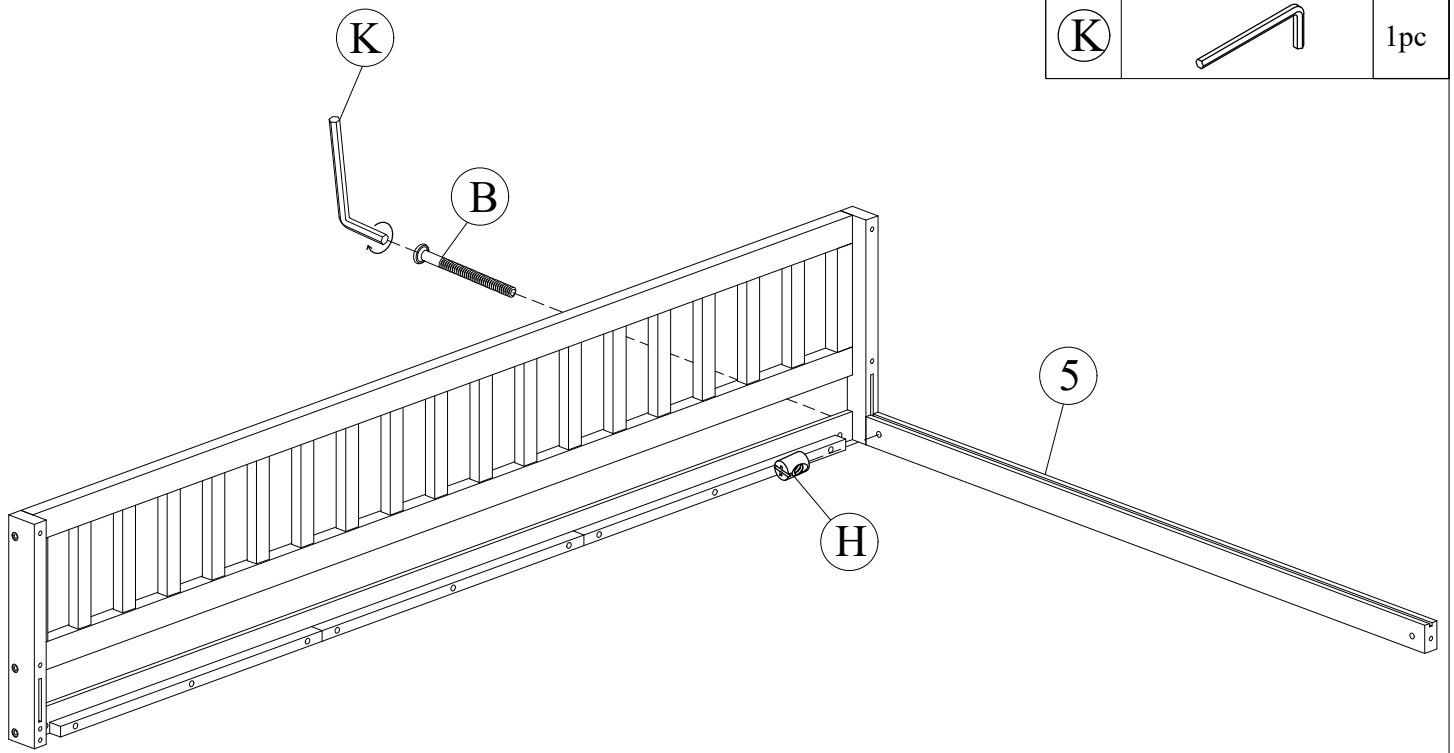


STEP 4

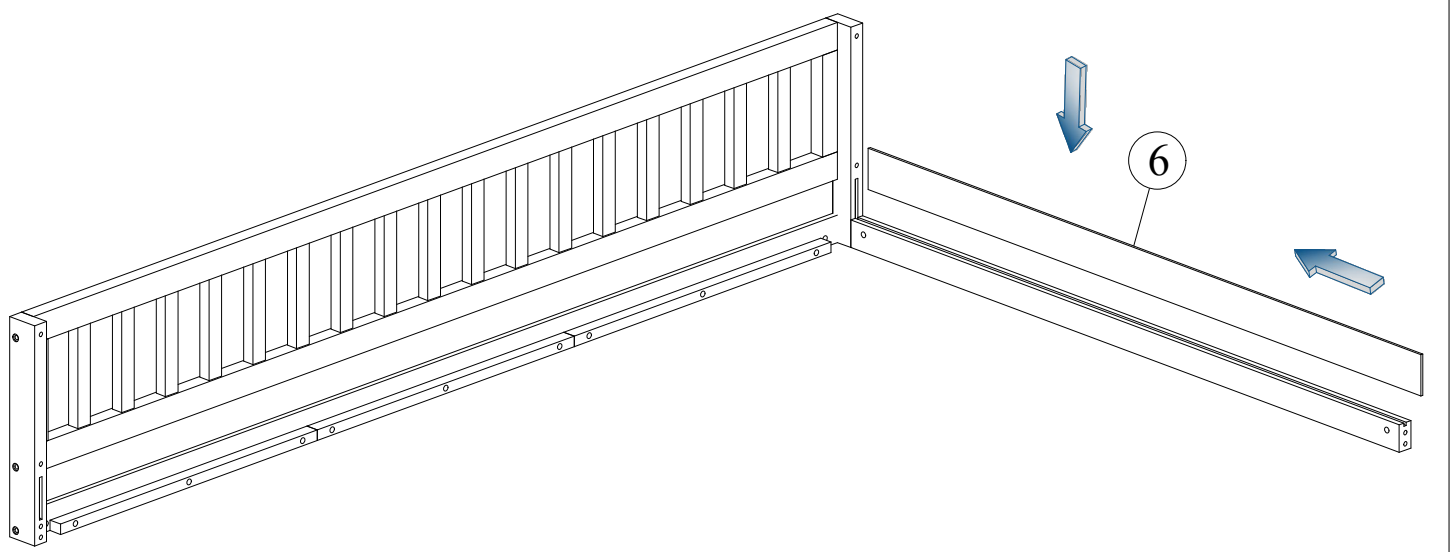


STEP 5

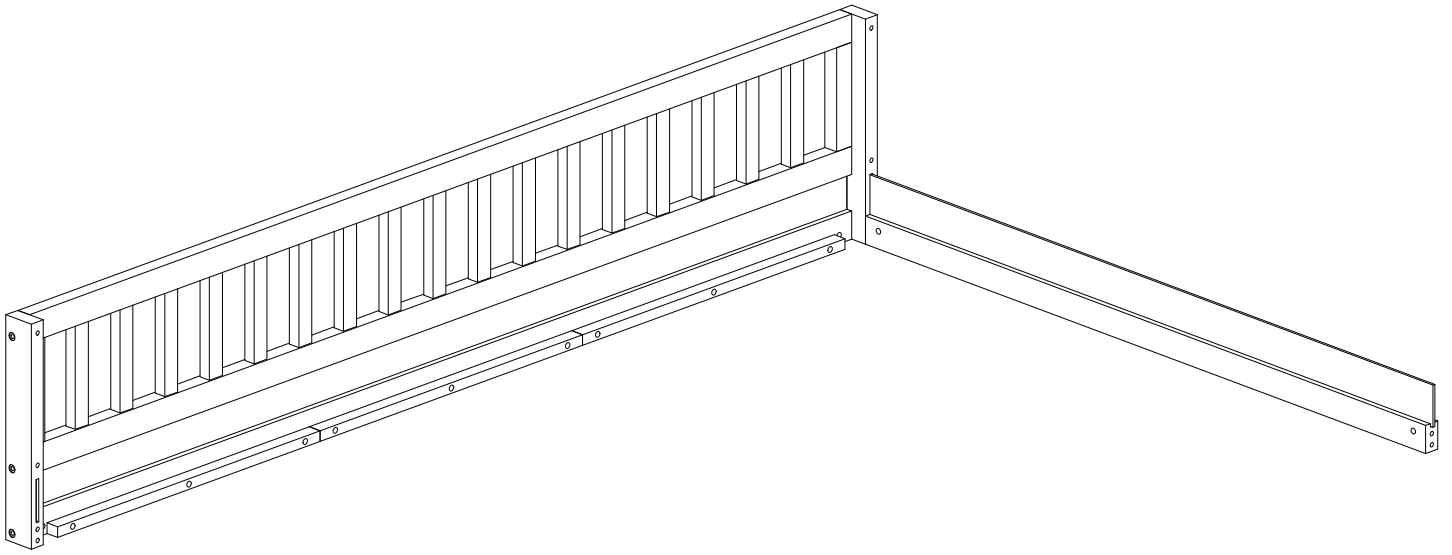
ⓑ		1pc
ⓓ		1pc
Ⓚ		1pc



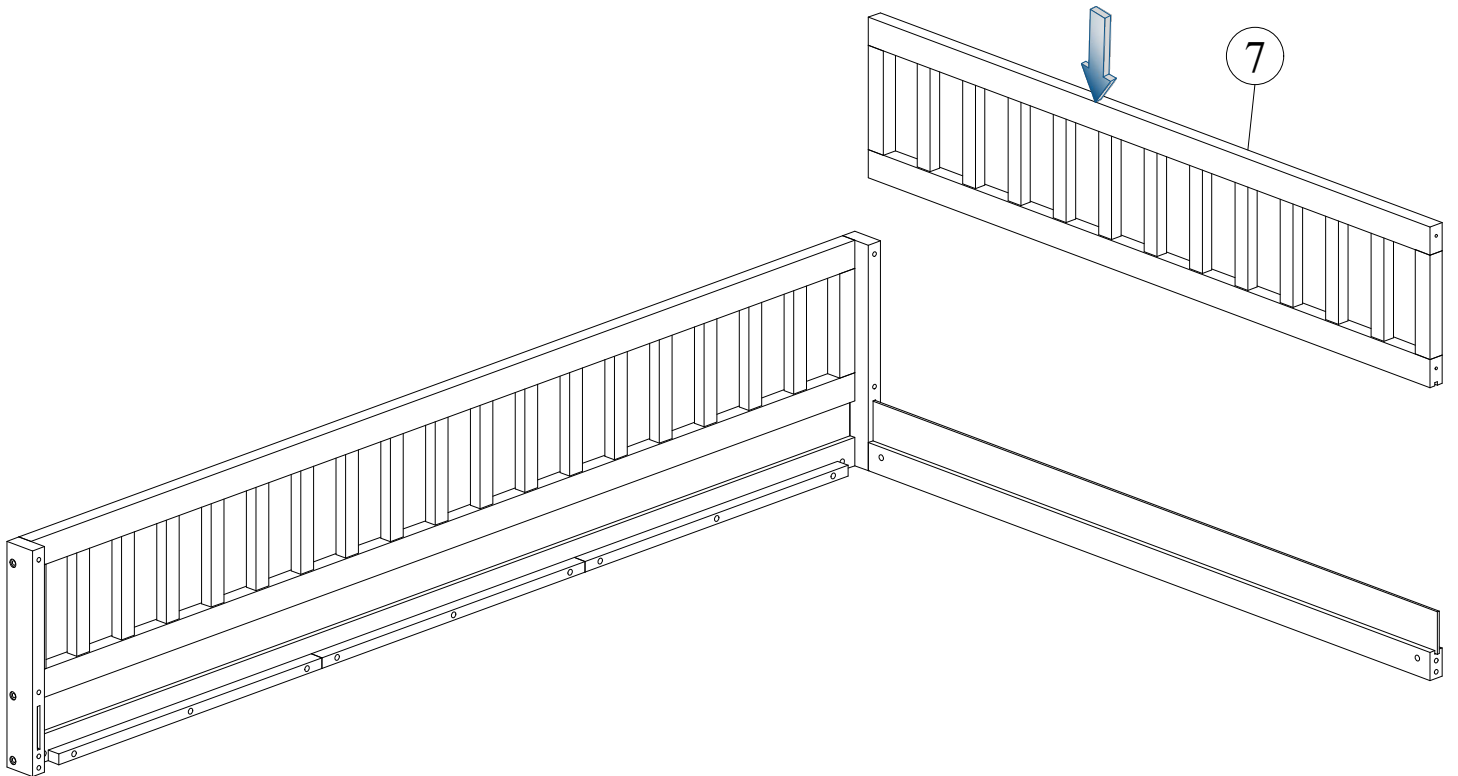
STEP 6





STEP 7

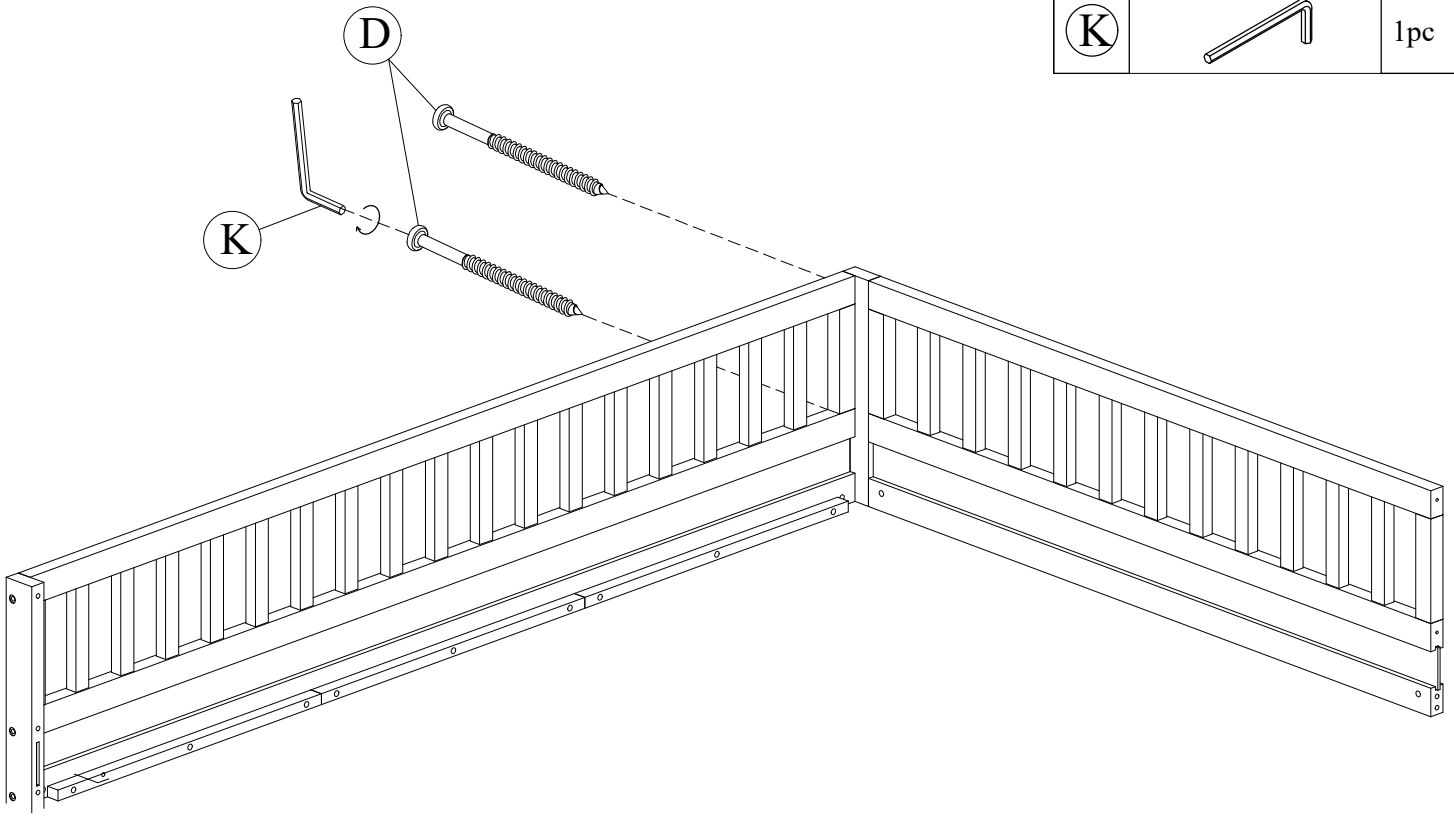


STEP 8







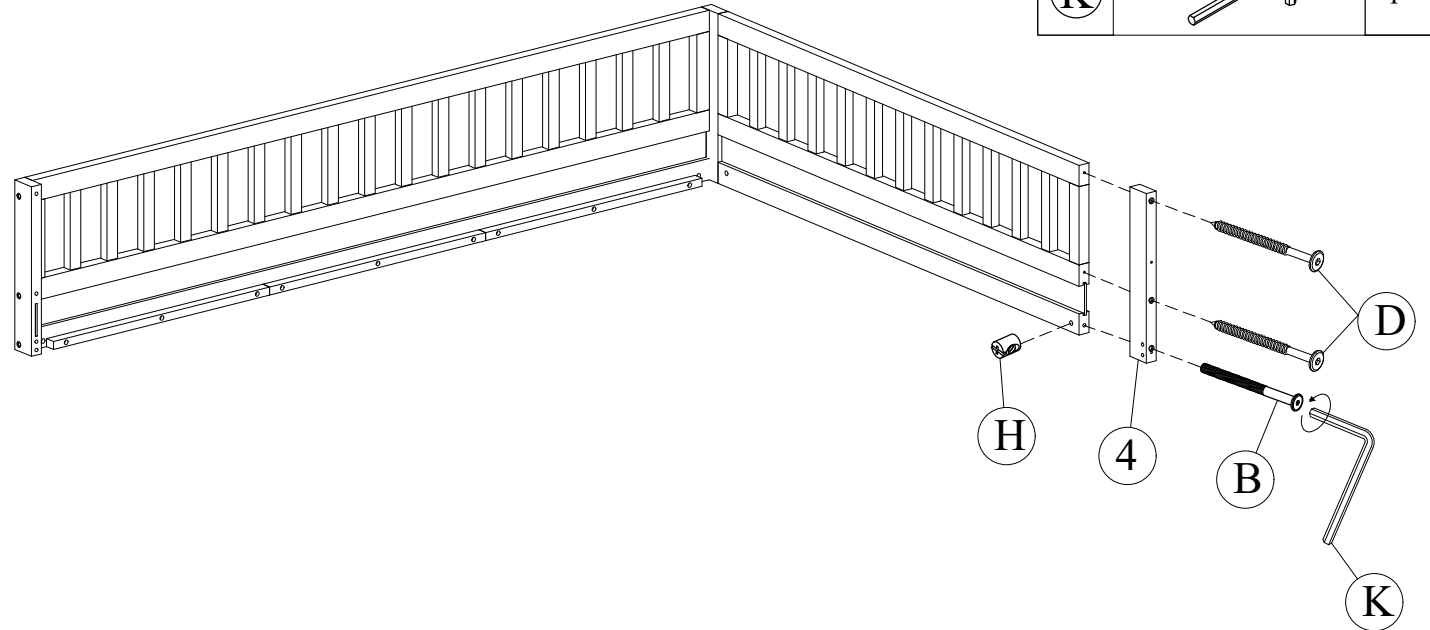
STEP 9

(D)		2pcs
(K)		1pc

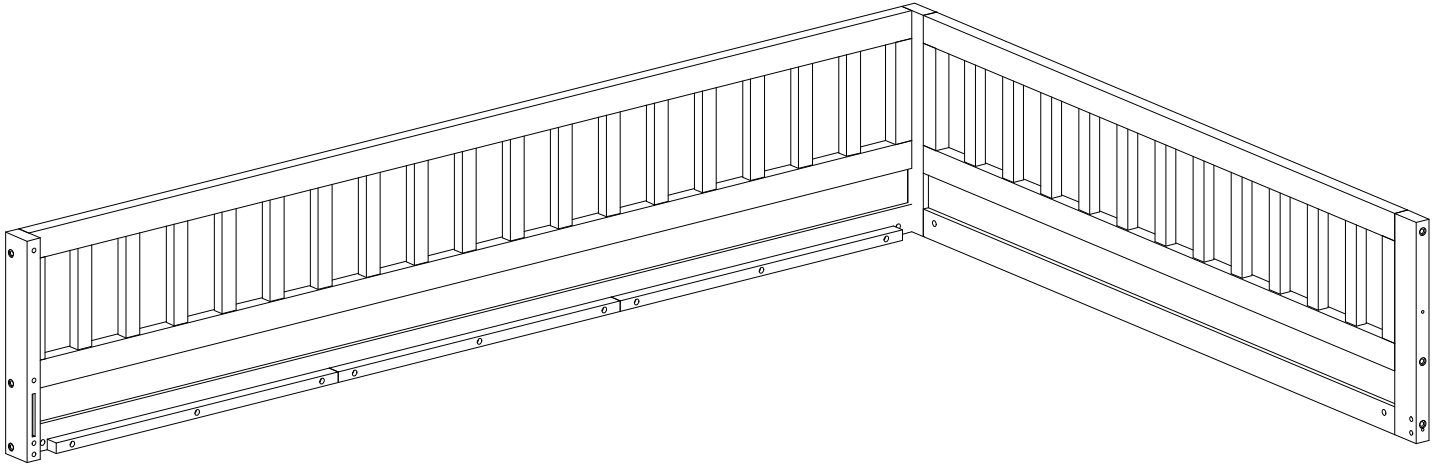


STEP 10




(B)		1pc
(H)		1pc
(D)		2pcs
(K)		1pc

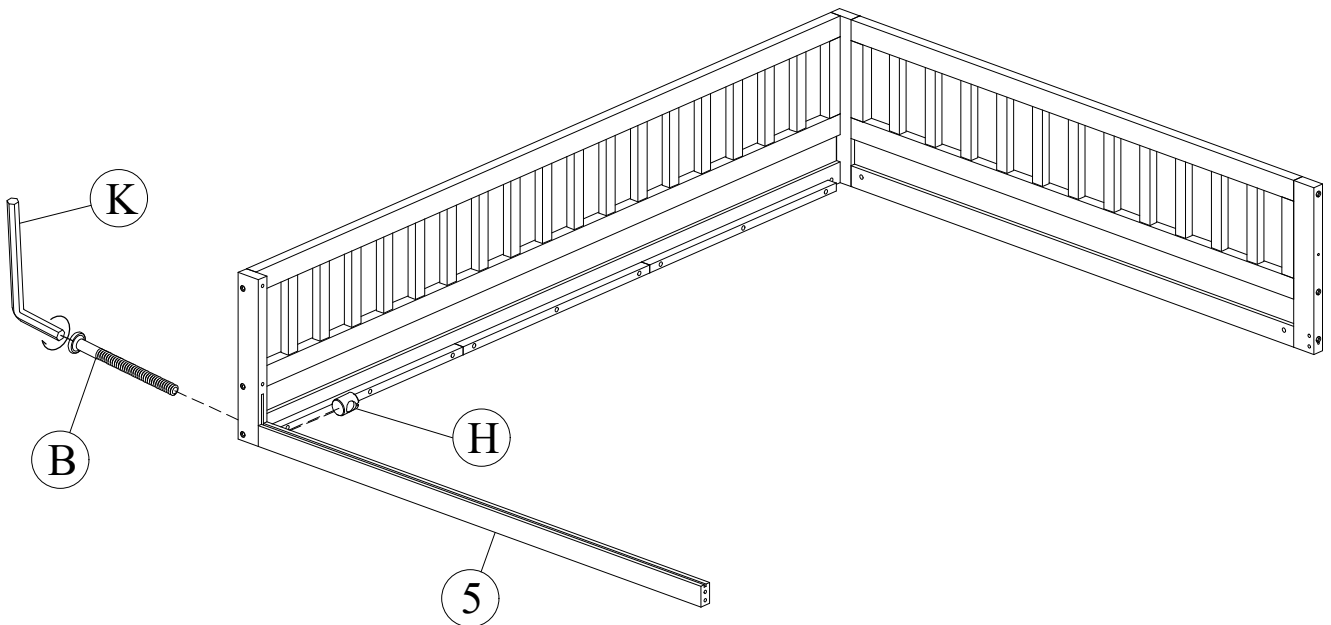


STEP 11

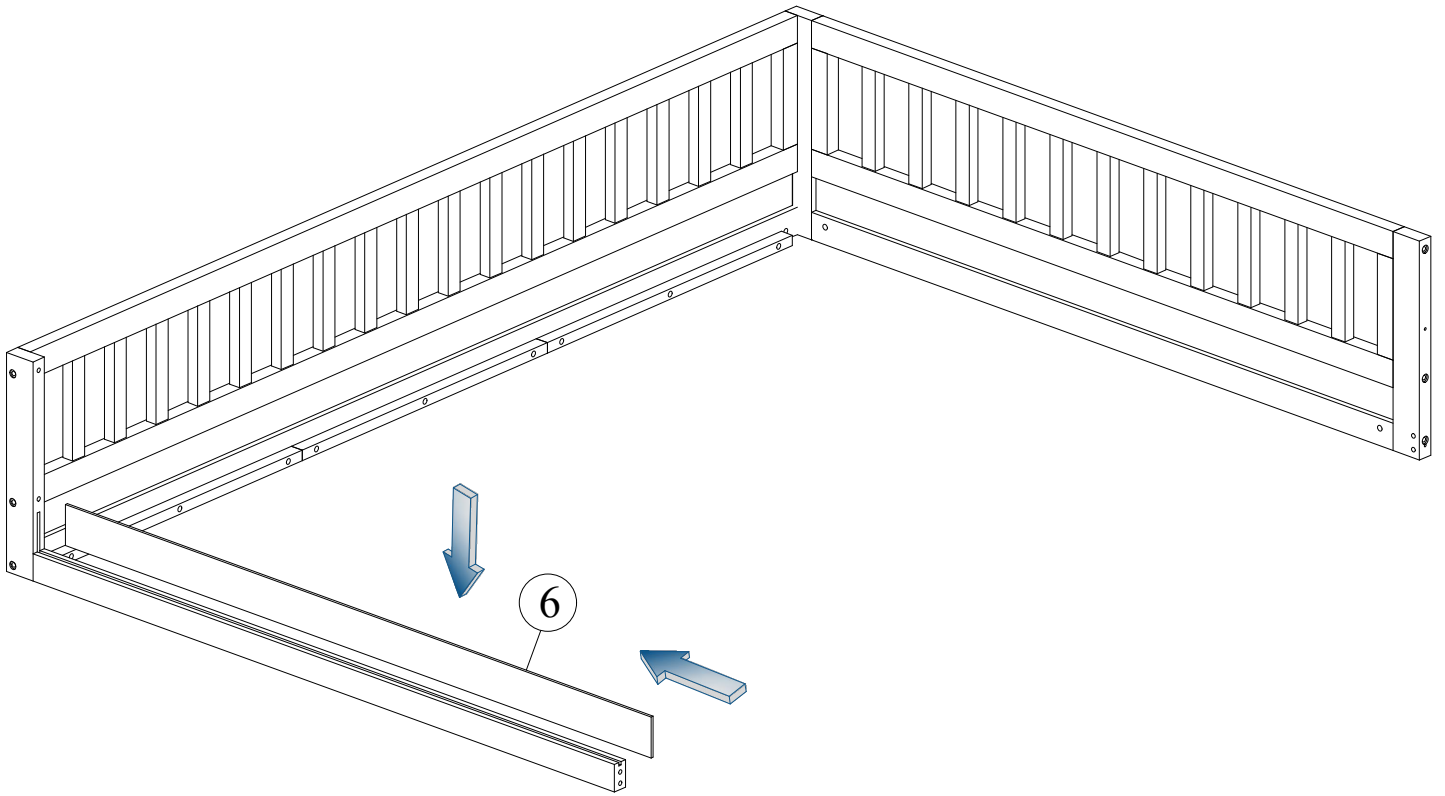


STEP 12

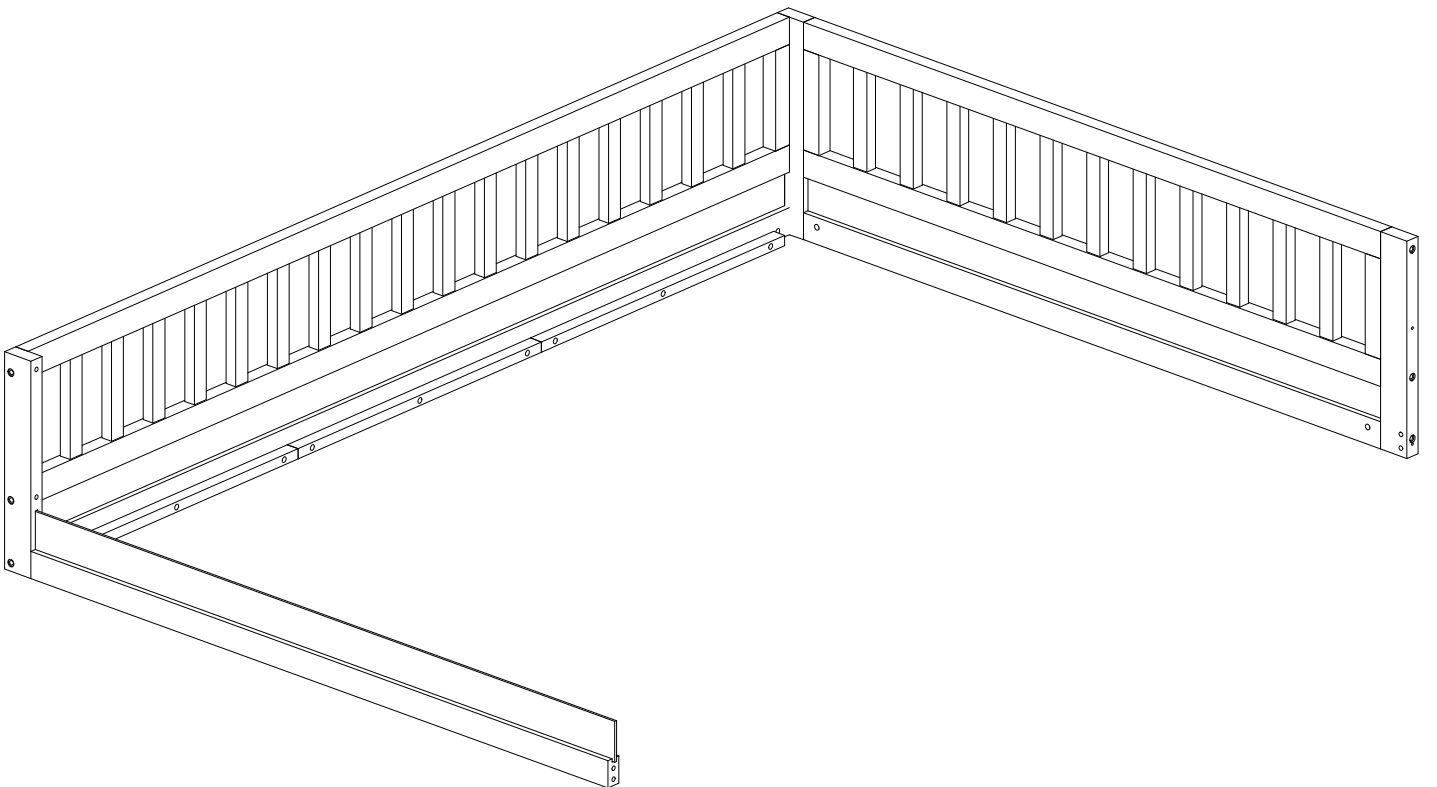
(B)		1pc
(H)		1pc
(K)		1pc



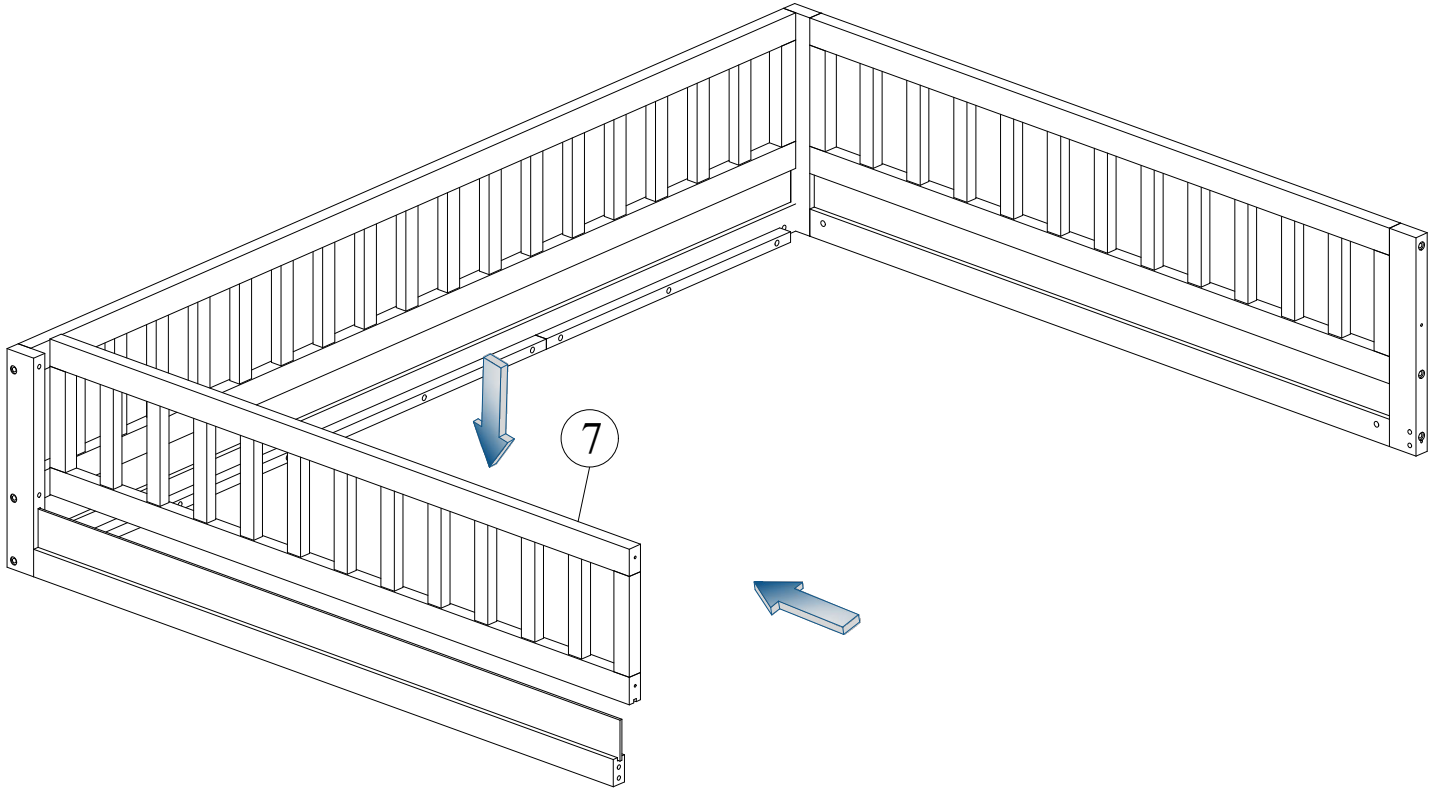
STEP 13





STEP 14

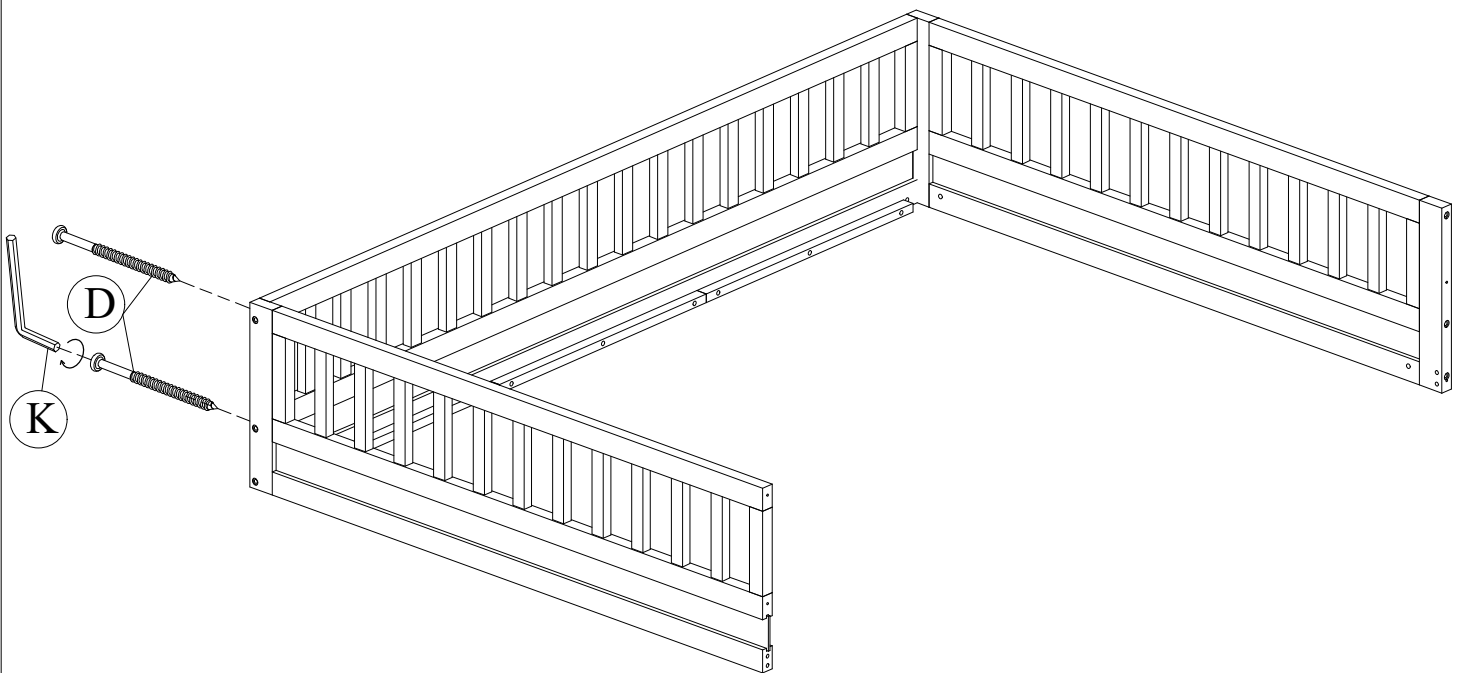


STEP 15







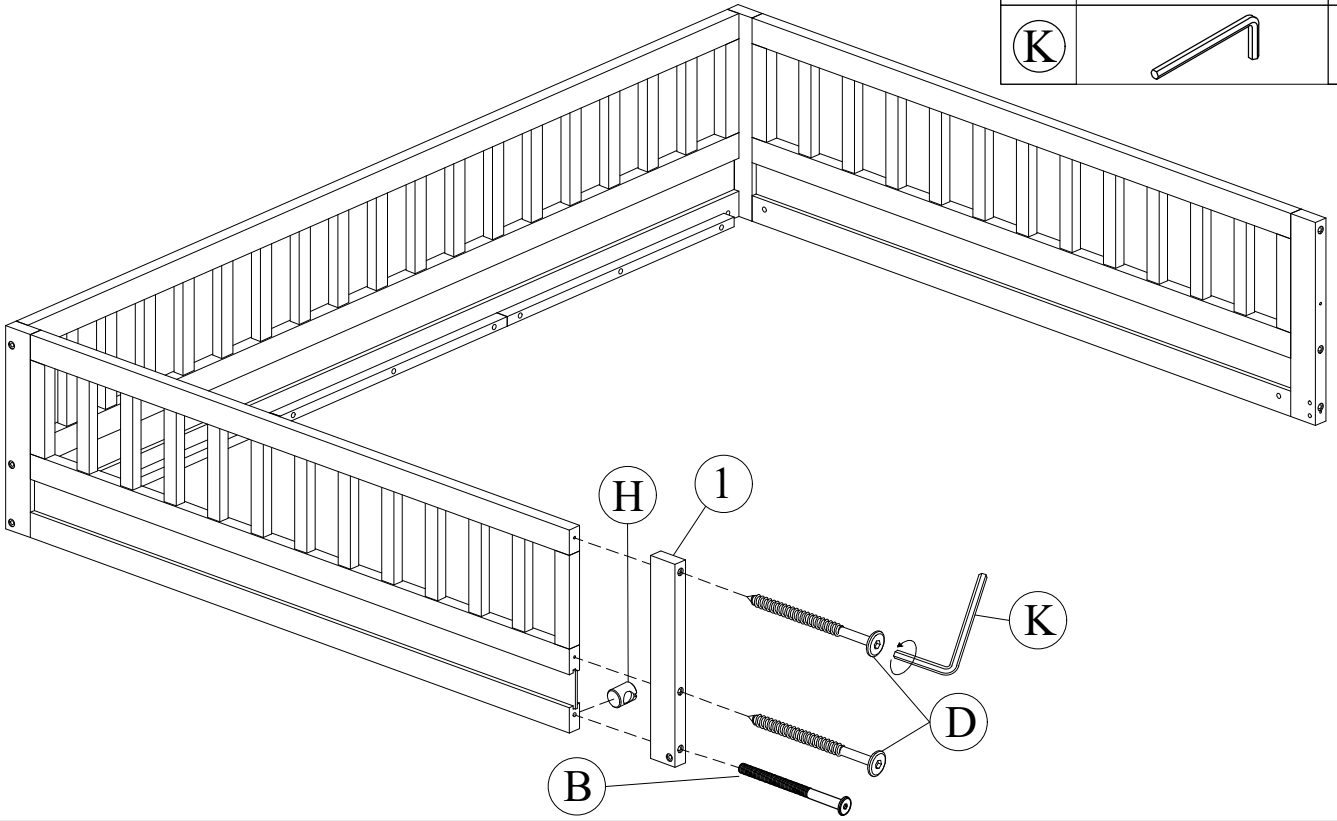
STEP 16

D		2pcs
K		1pc

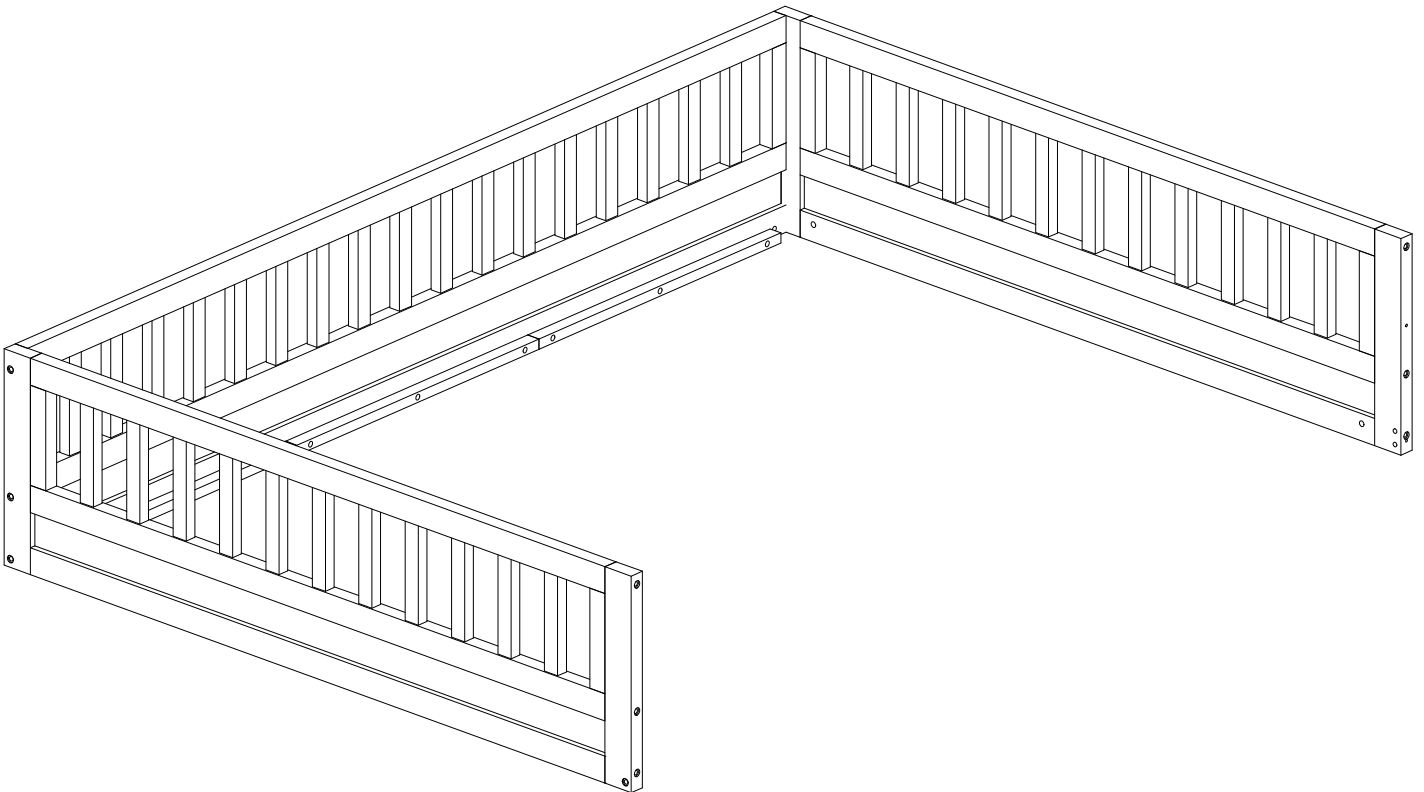


STEP 17

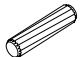



(B)		1pc
(H)		1pc
(D)		2pcs
(K)		1pc

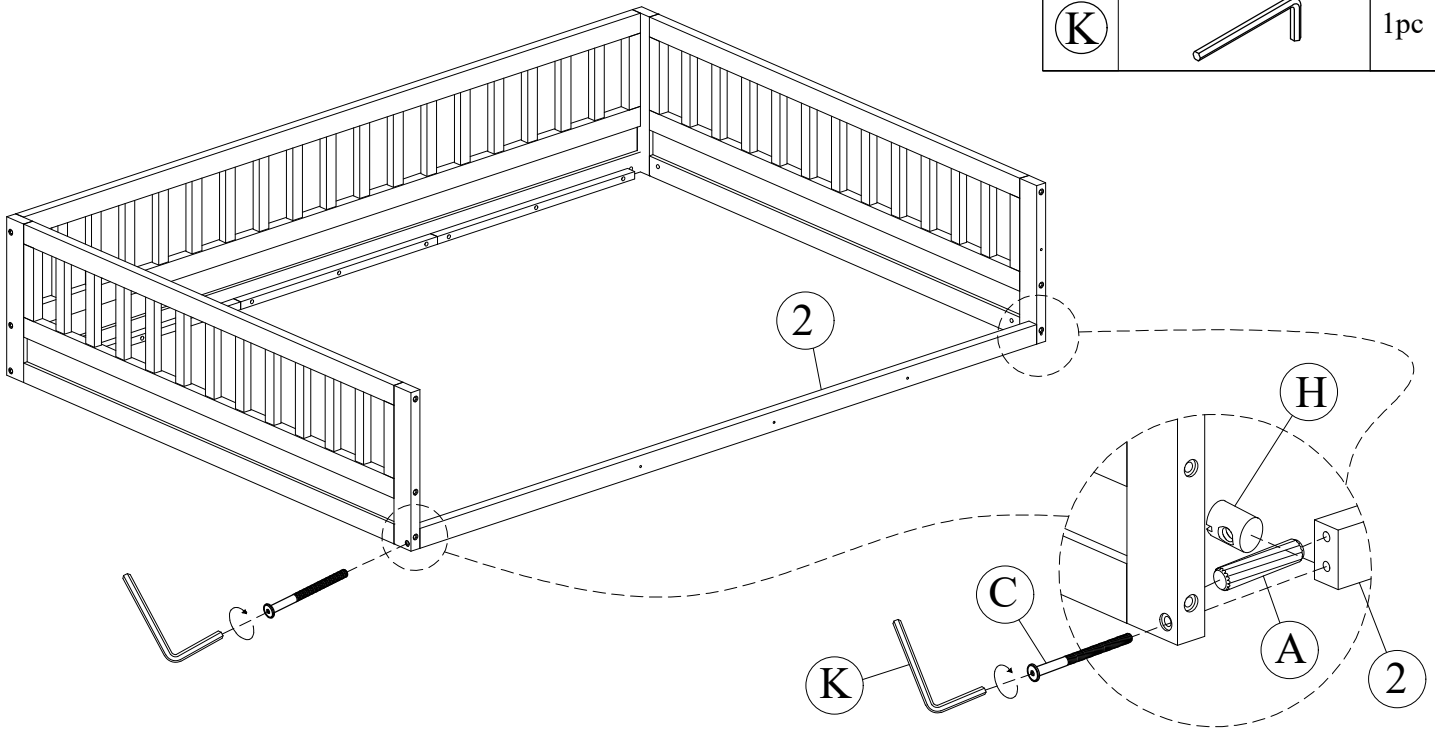


STEP 18




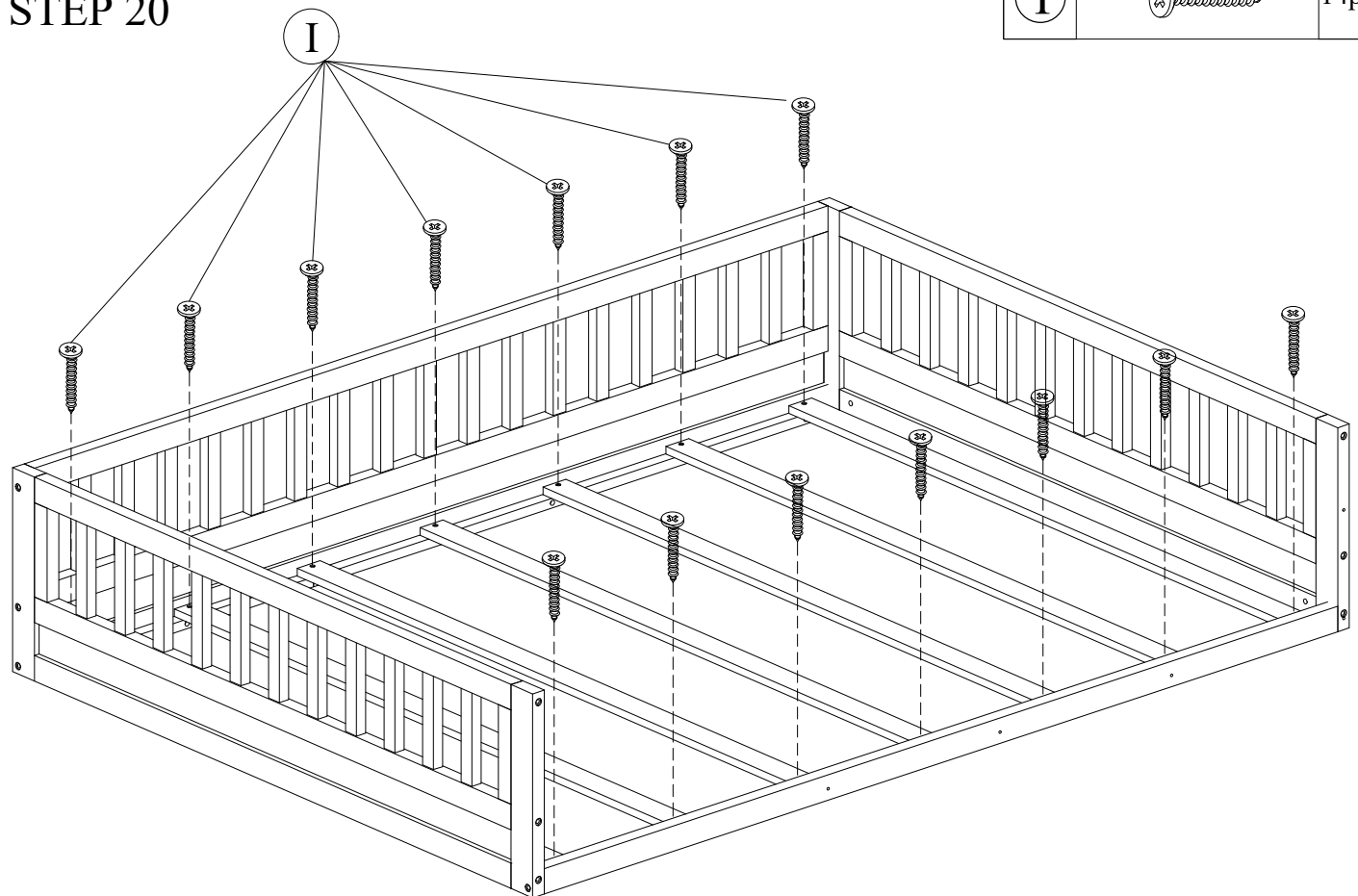
STEP 19

(A)		2pcs
(C)		2pcs
(H)		2pcs
(K)		1pc





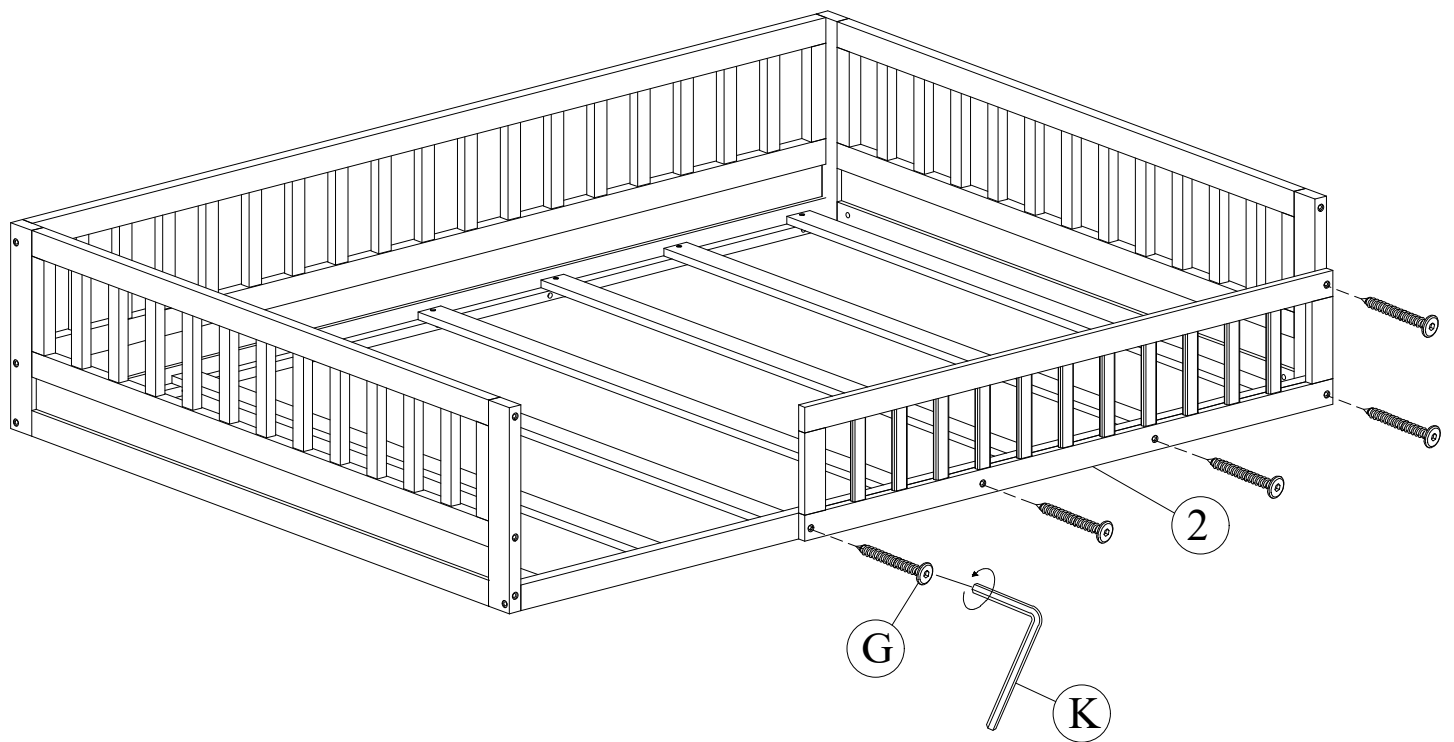
STEP 20

(I)		14pcs
-----	---	-------

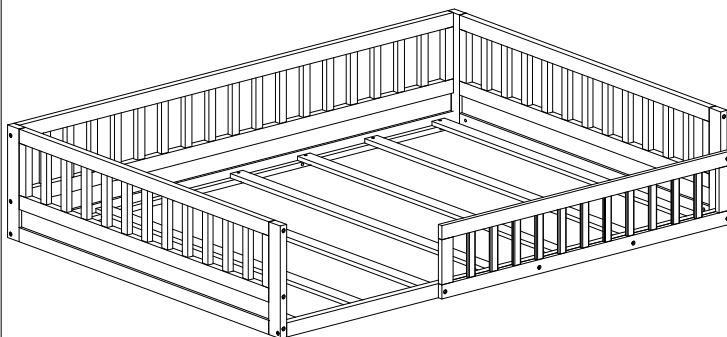


STEP 21

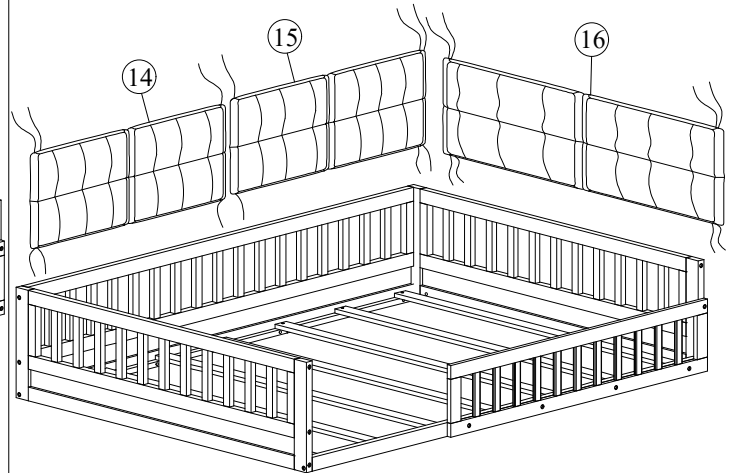
G		5pcs
K		1pc



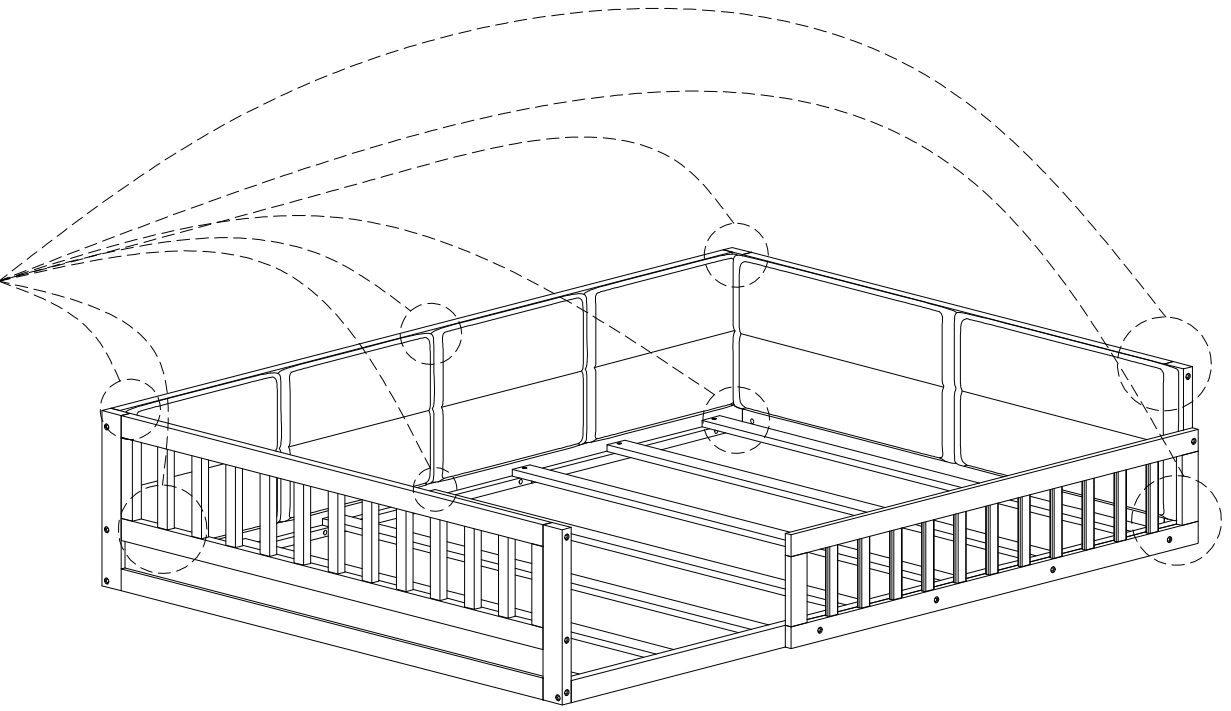
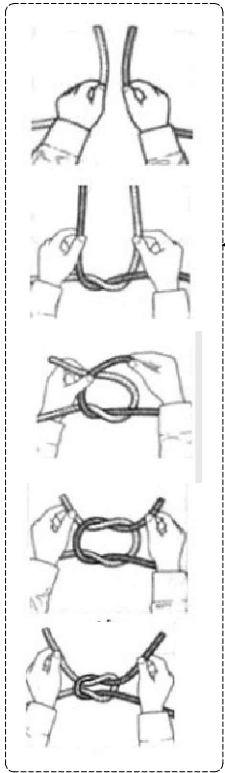
STEP 22



STEP 23



STEP 24



FINAL:

