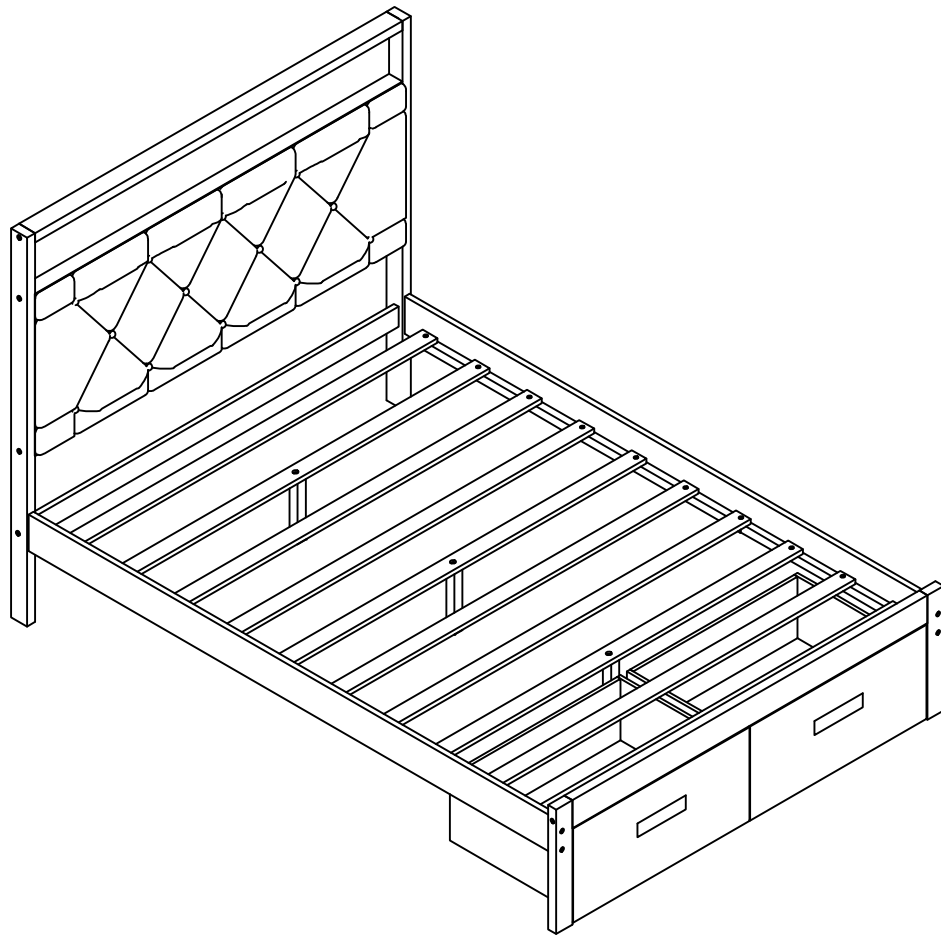


ASSEMBLY INSTRUCTIONS

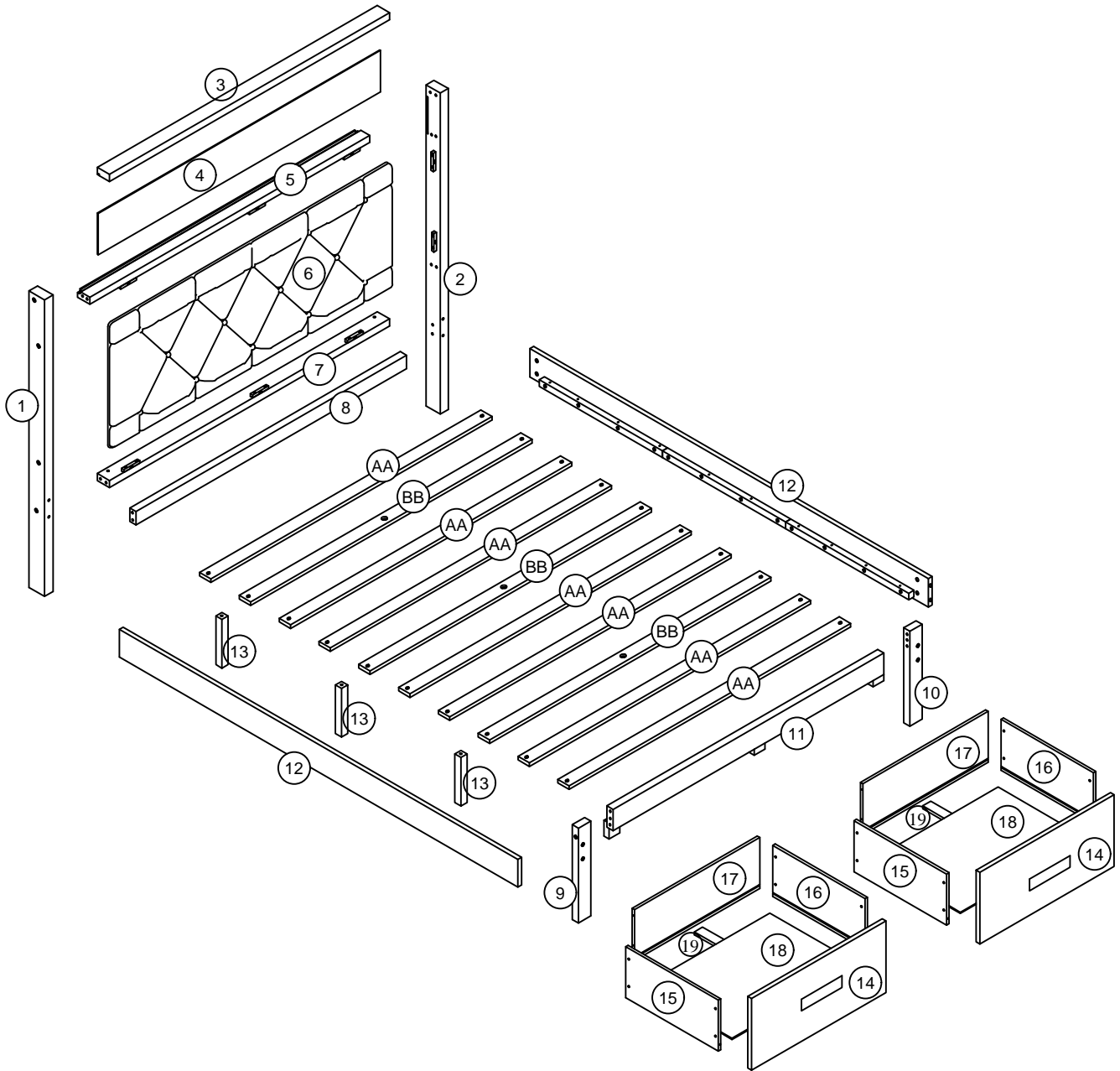
FULL BED



This set is included 2 boxes if don't receive full 2 boxes please contact our customer service team.

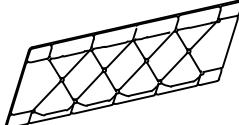
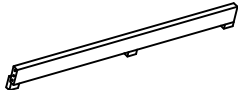


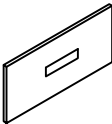
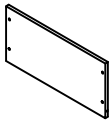
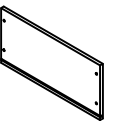

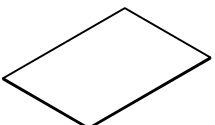
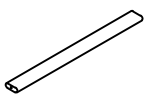
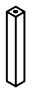
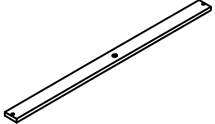
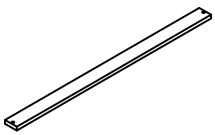
WF326463+64

Detail View



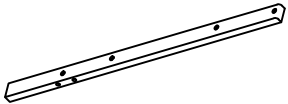
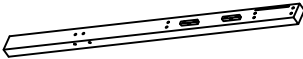

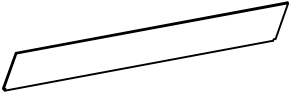

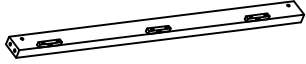


Part List :

WF326463











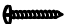
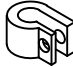
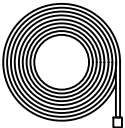
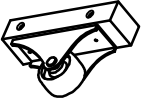

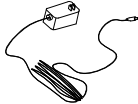
<p>6</p>  <p>Mattress Headboard bed -1pc</p>	<p>11</p>  <p>Frame above the end of the bed -1pc</p>	<p>9</p>  <p>Left Footboard Leg-1pc</p>
<p>10</p>  <p>Right Footboard Leg-1pc</p>	<p>14</p>  <p>Drawer Front-2pcs</p>	<p>15</p>  <p>Left Drawer-2pcs</p>
<p>16</p>  <p>Right Drawer-2pcs</p>	<p>17</p>  <p>Drawer Back-2pcs</p>	<p>18</p>  <p>Drawer Bottom-2pcs</p>
<p>19</p>  <p>Drawer Support-2pcs</p>	<p>13</p>  <p>Center rail legs -3pcs</p>	<p>BB</p>  <p>Slat-3pcs</p>
<p>AA</p>  <p>Slat-7pcs</p>		

Part List :

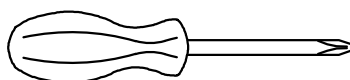
WF326464

1  Left Headboard Leg-1pc	2  Right Headboard Leg-1pc	3  Headboard Upper Horizontal Bar -1pc
4  Panel Bed Headboard-1pc	5  Headboard Lower Horizontal Bar-1pc	7  Headboard Lower Horizontal Bar-1pc
8  Headboard Lower Horizontal Bar-1pc	12  Shoulder Bed -2pcs	

Hardware List

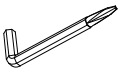


A  Ø1/4" x 105mm Hex-Head bolt=6pcs	B  Ø1/4" x 75mm Hex-Head bolt=8pcs	C  Ø1/4" x 60mm Hex-Head bolt=4pcs	
D  Ø1/4" x 35mm Hex-Head bolt=13pcs	E  Ø1/4" x Ø10 x 13mm Cross nut =18pcs	F  Flat washers =10pcs	
G  Ø 8 x 30mm Wood dowel =12pcs	H  Ø4 x 25mm Screw=46pcs	I  Ø4 x 45mm Screw=8pcs	
K  K4mm Allen key (1pc)	L  Ø3 x 10mm Screw=2pcs	M  Led lamp power cord hook=2pcs	
N  Led light=1pc	P  Sliding Wheel=8pcs	Q  Ø4 x 20mm Screw=2pcs	R  Adapter =1pc

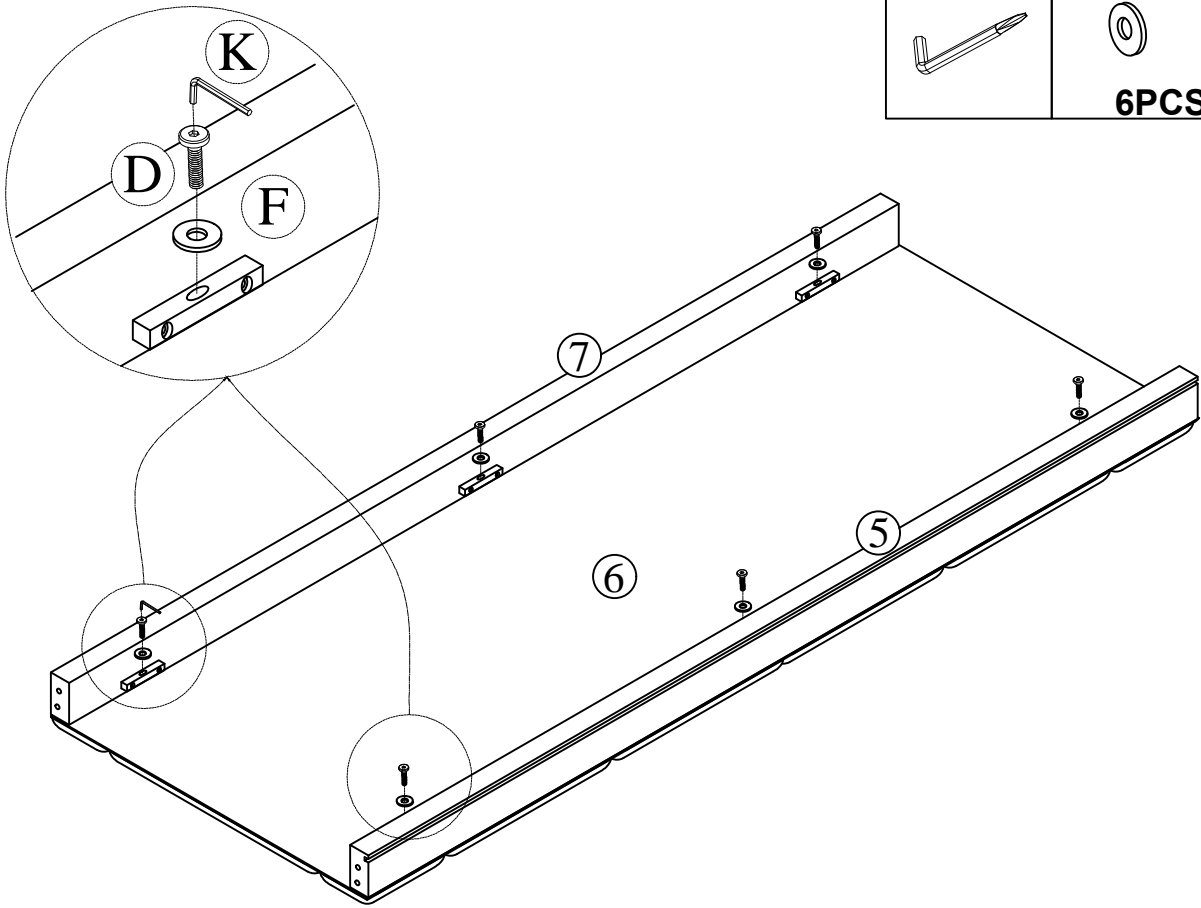
ASSEMBLY TOOLS REQUIRED (NOT INCLUDED)



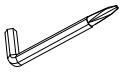


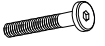
PLEASE BE CAREFUL DO NOT DAMAGE THE HOLE POSITION WHEN YOU USE POWER TOOLS !

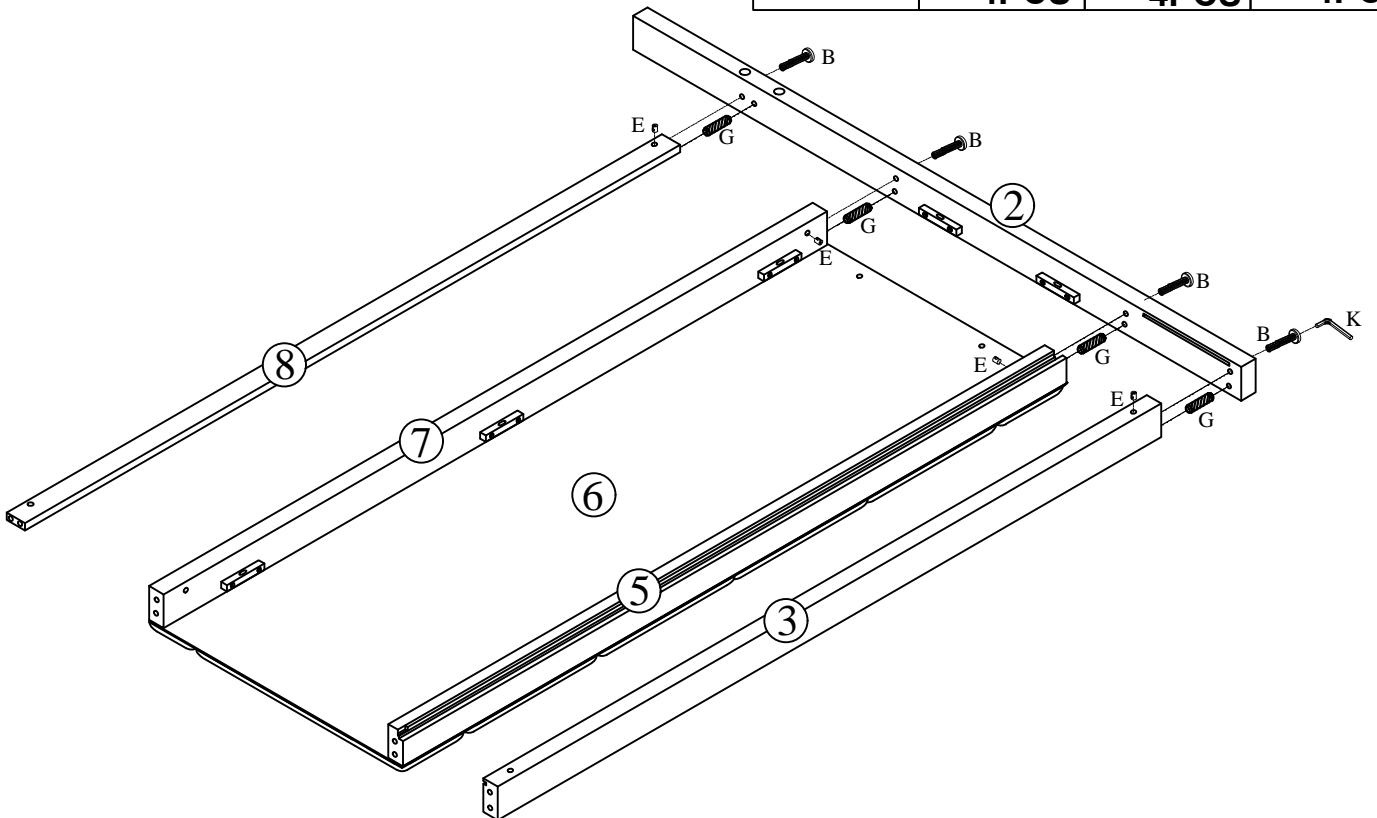
STEP 1:

K	F	D
		
	6PCS	6PCS

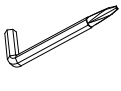




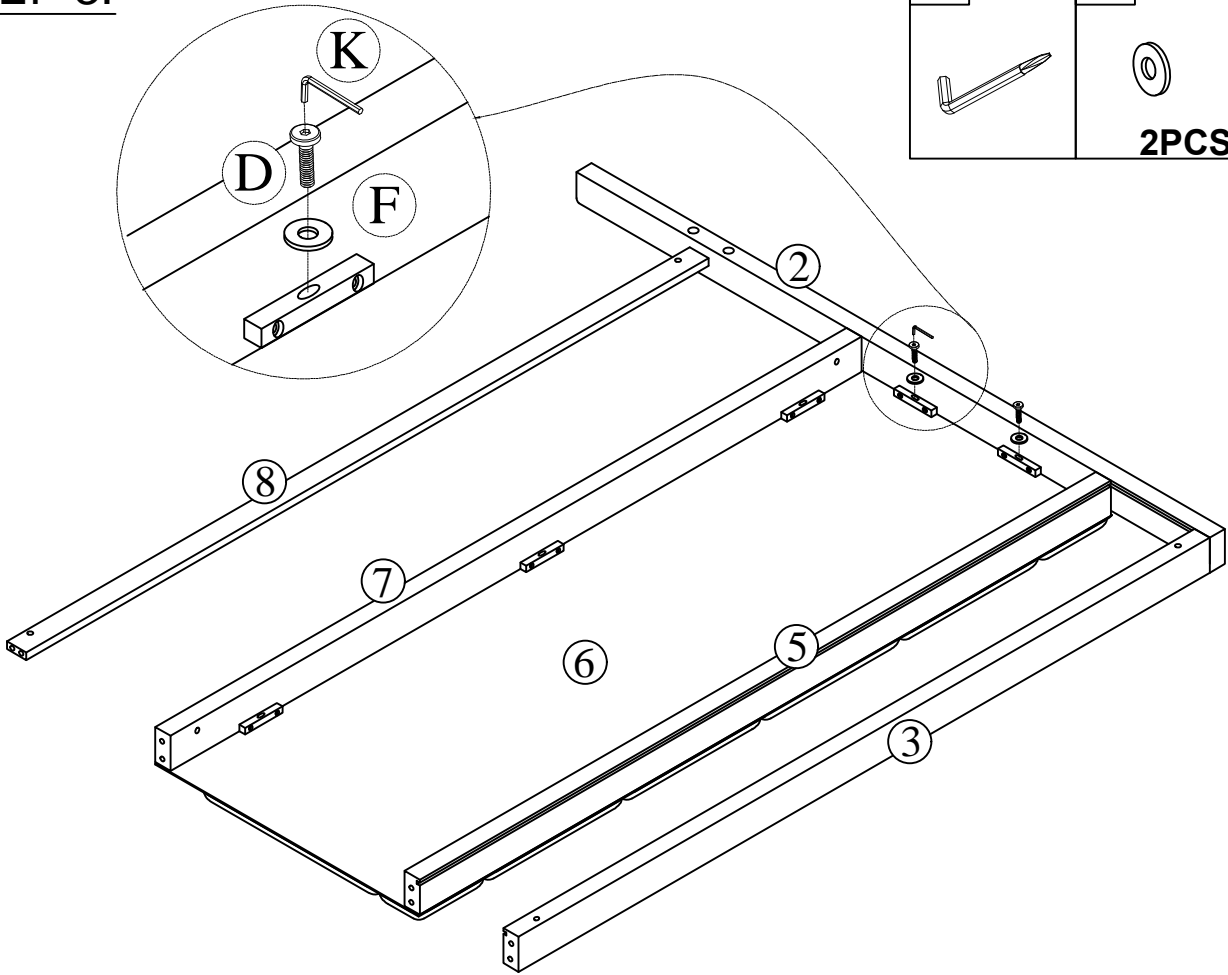
STEP 2:

K	E	G	B
			
	4PCS	4PCS	4PCS

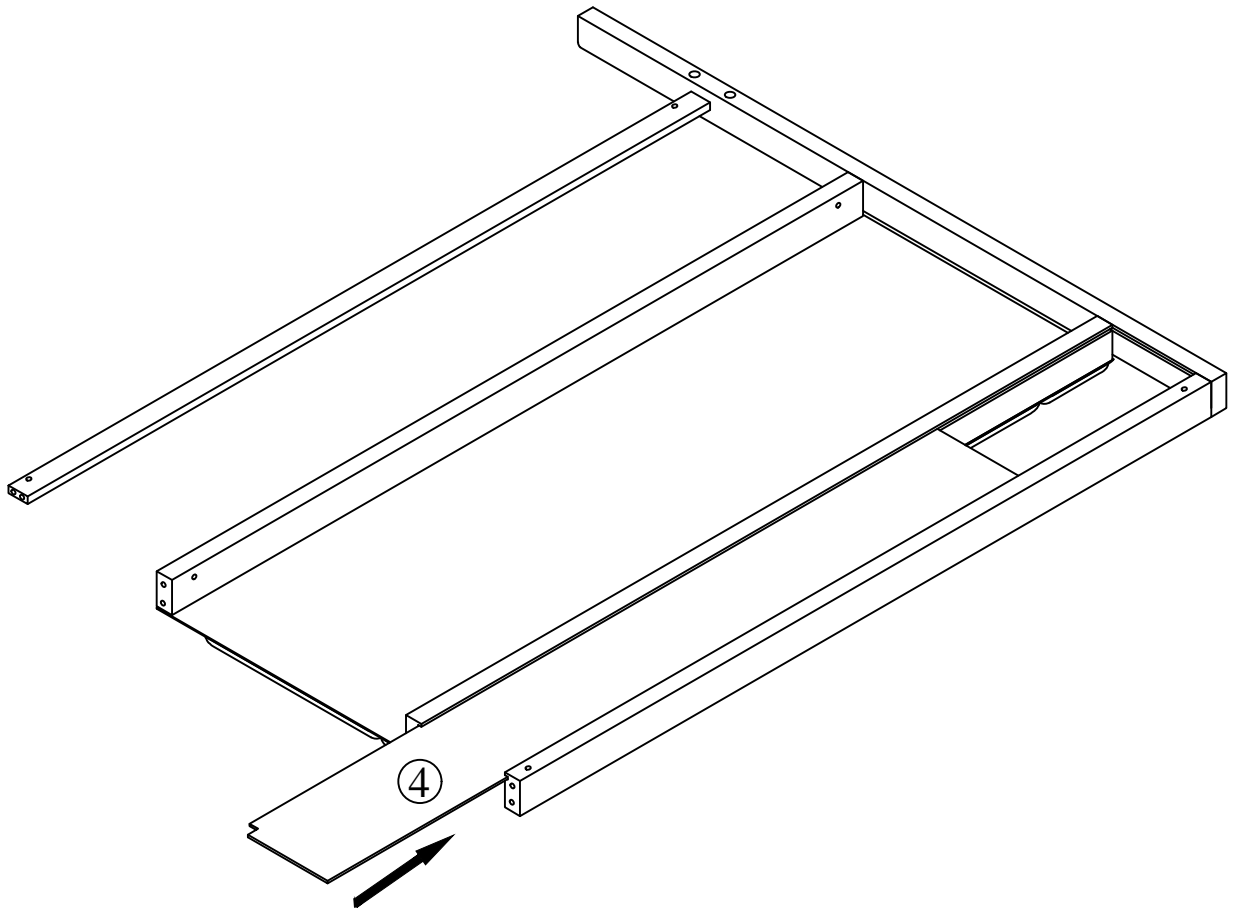


STEP 3:

K	F	D
		
	2PCS	2PCS

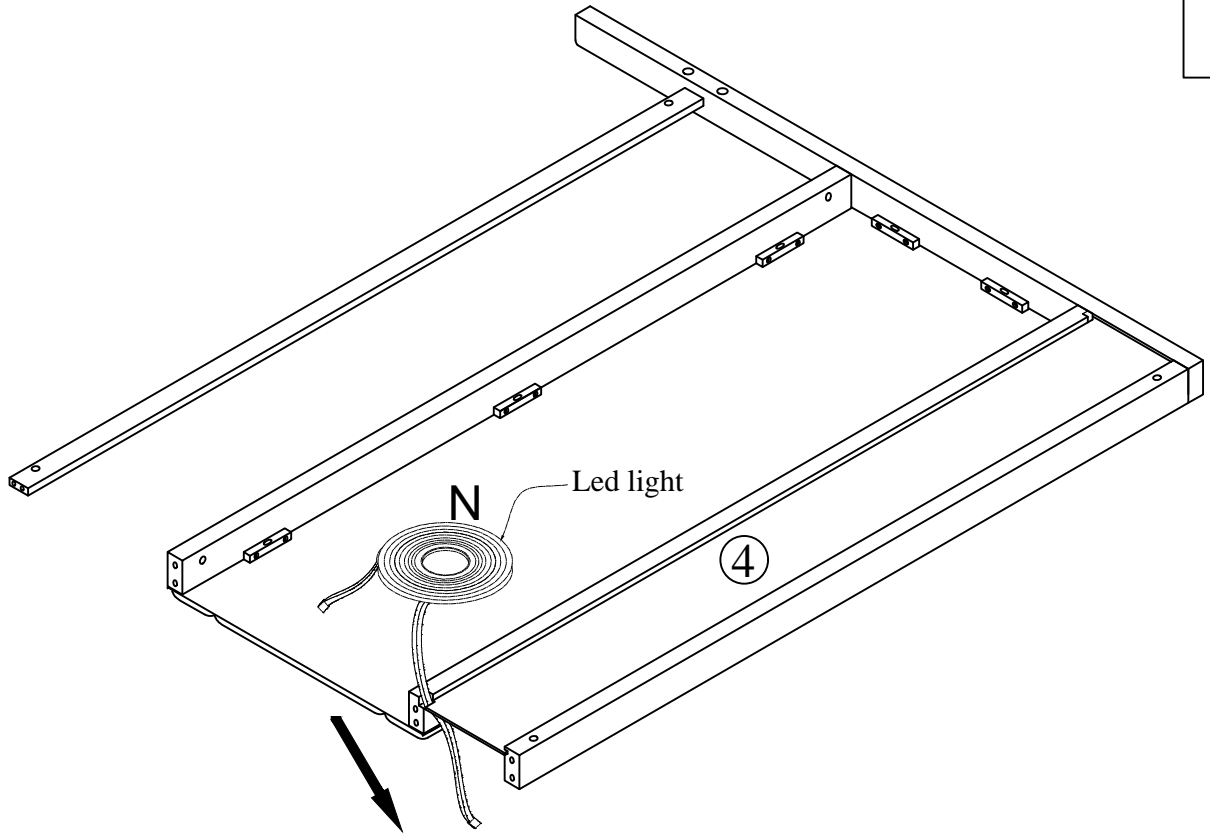
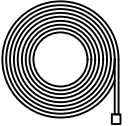


STEP 4:



STEP 5:

N



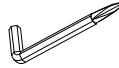
STEP 6:

K

E

G

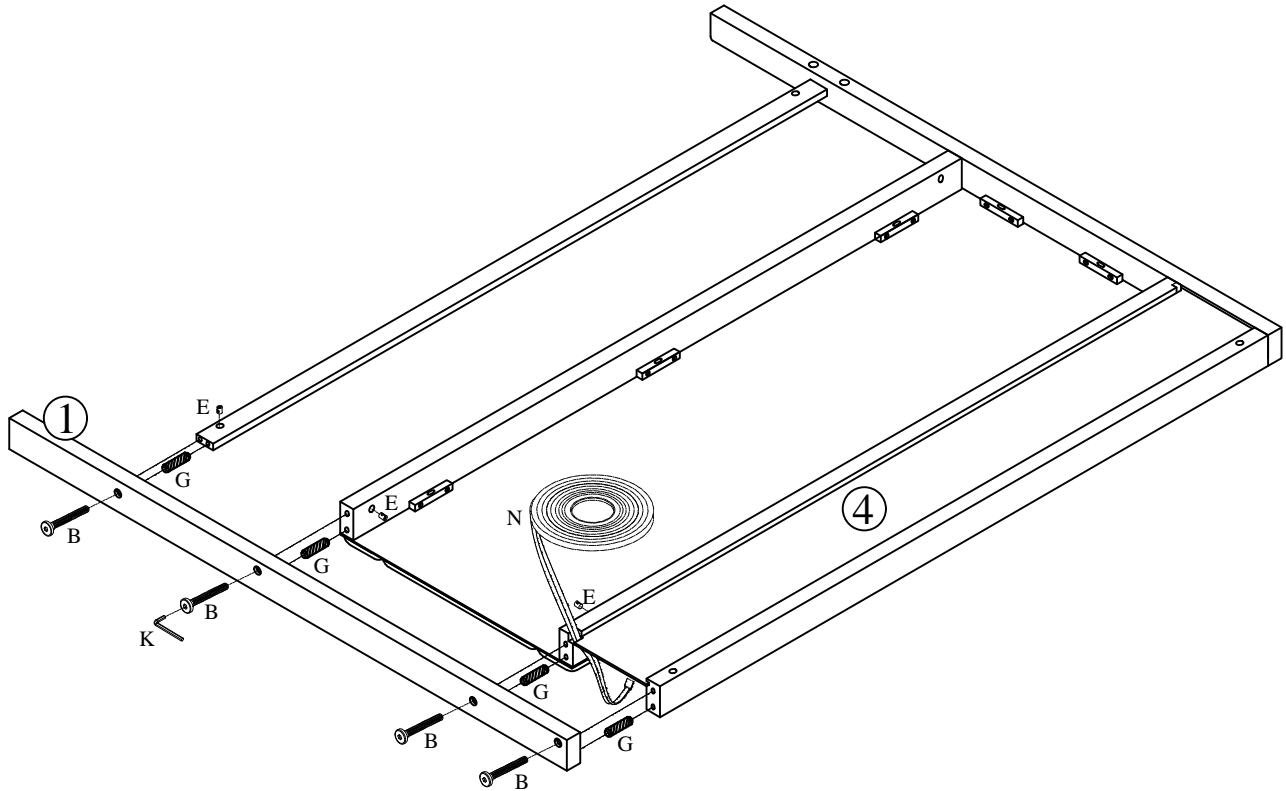
B



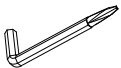


4PCS

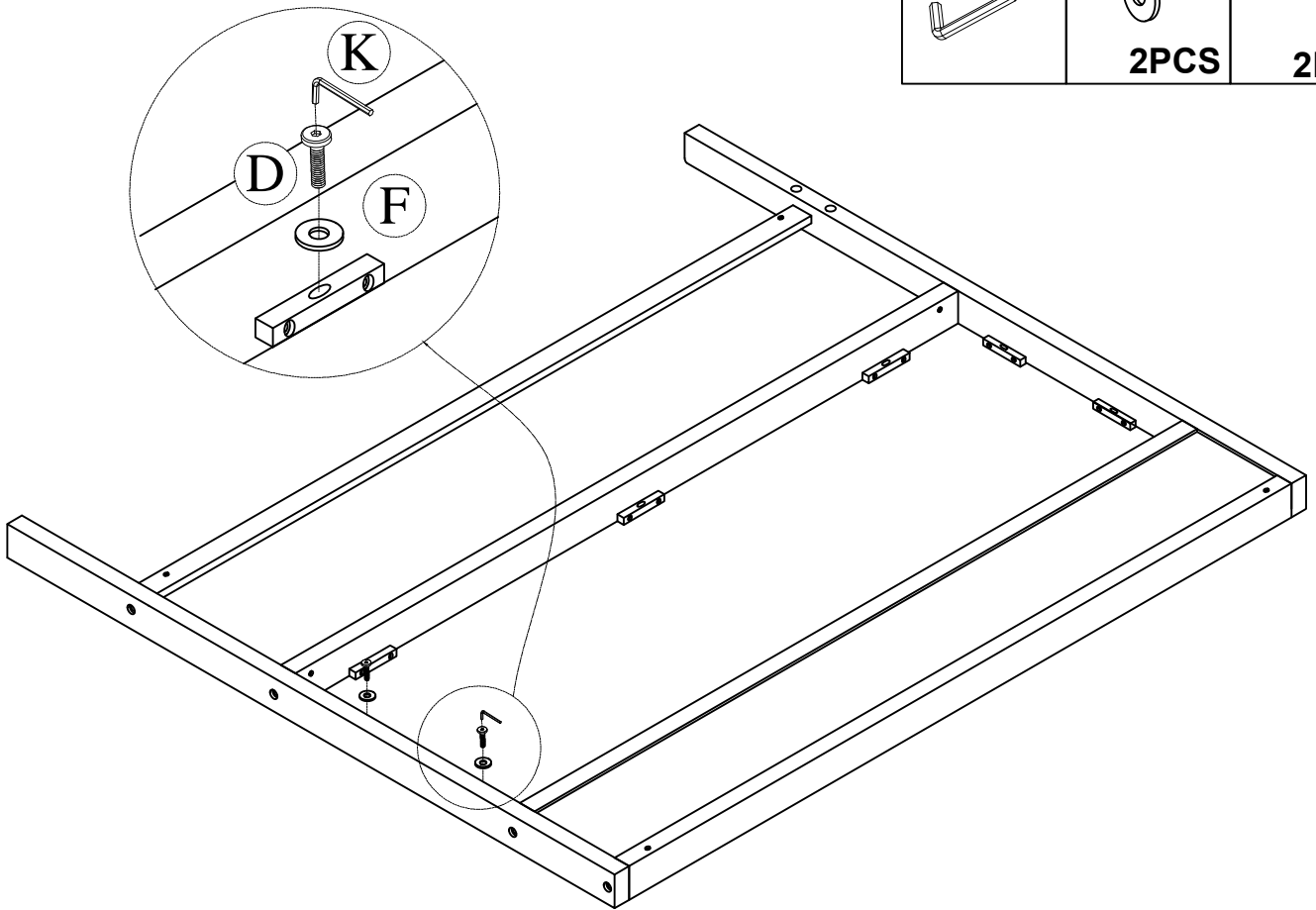
4PCS

4PCS

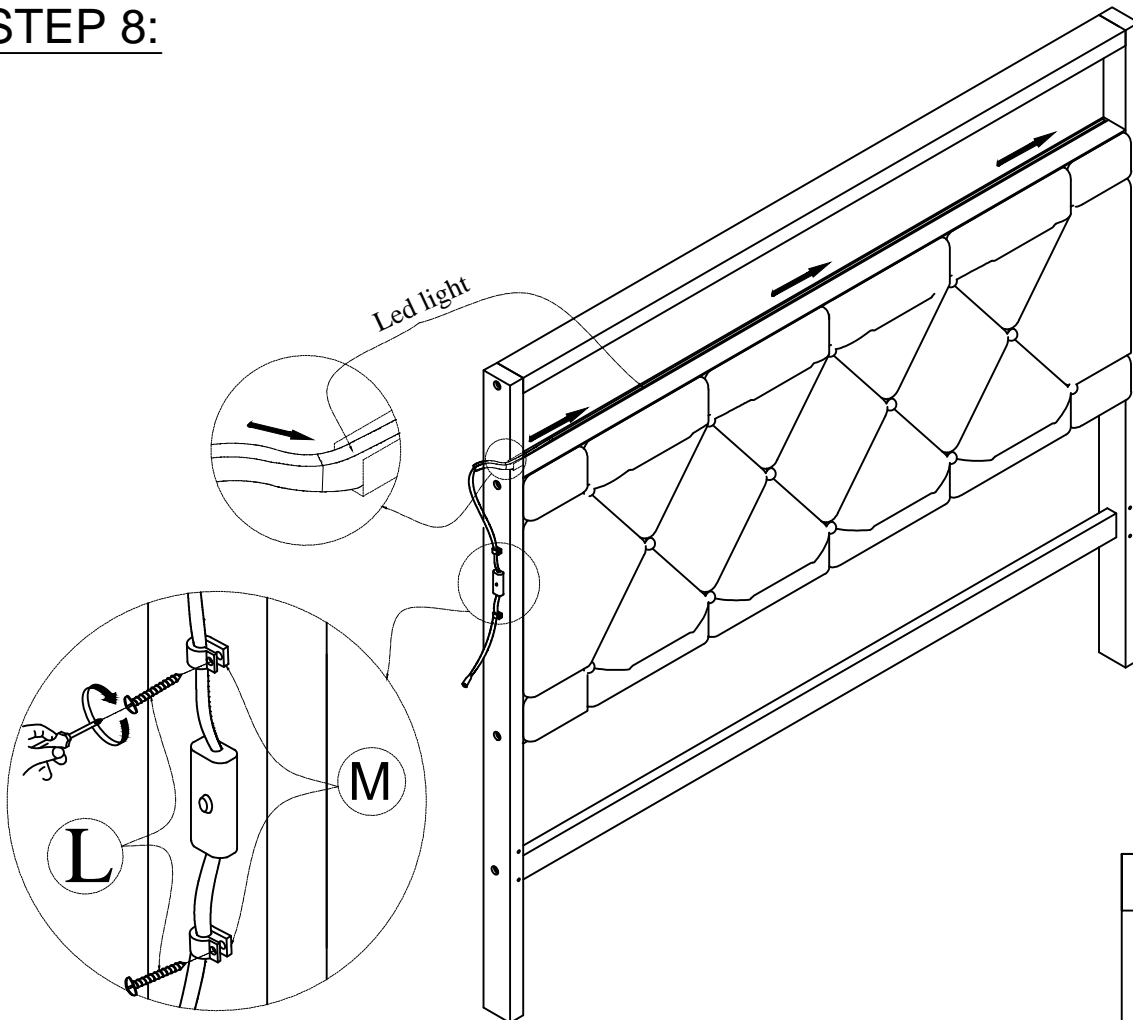


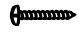
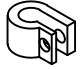
STEP 7:

K	F	D
		
	2PCS	2PCS

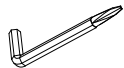





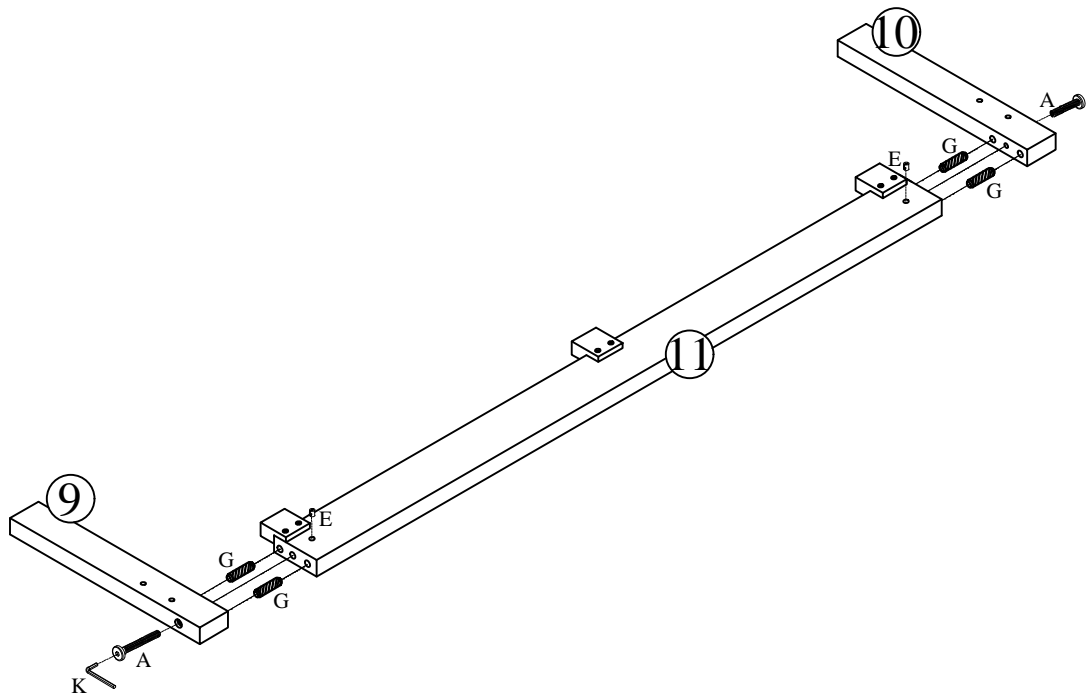
STEP 8:



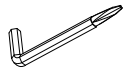



L	M
	
2PCS	2PCS

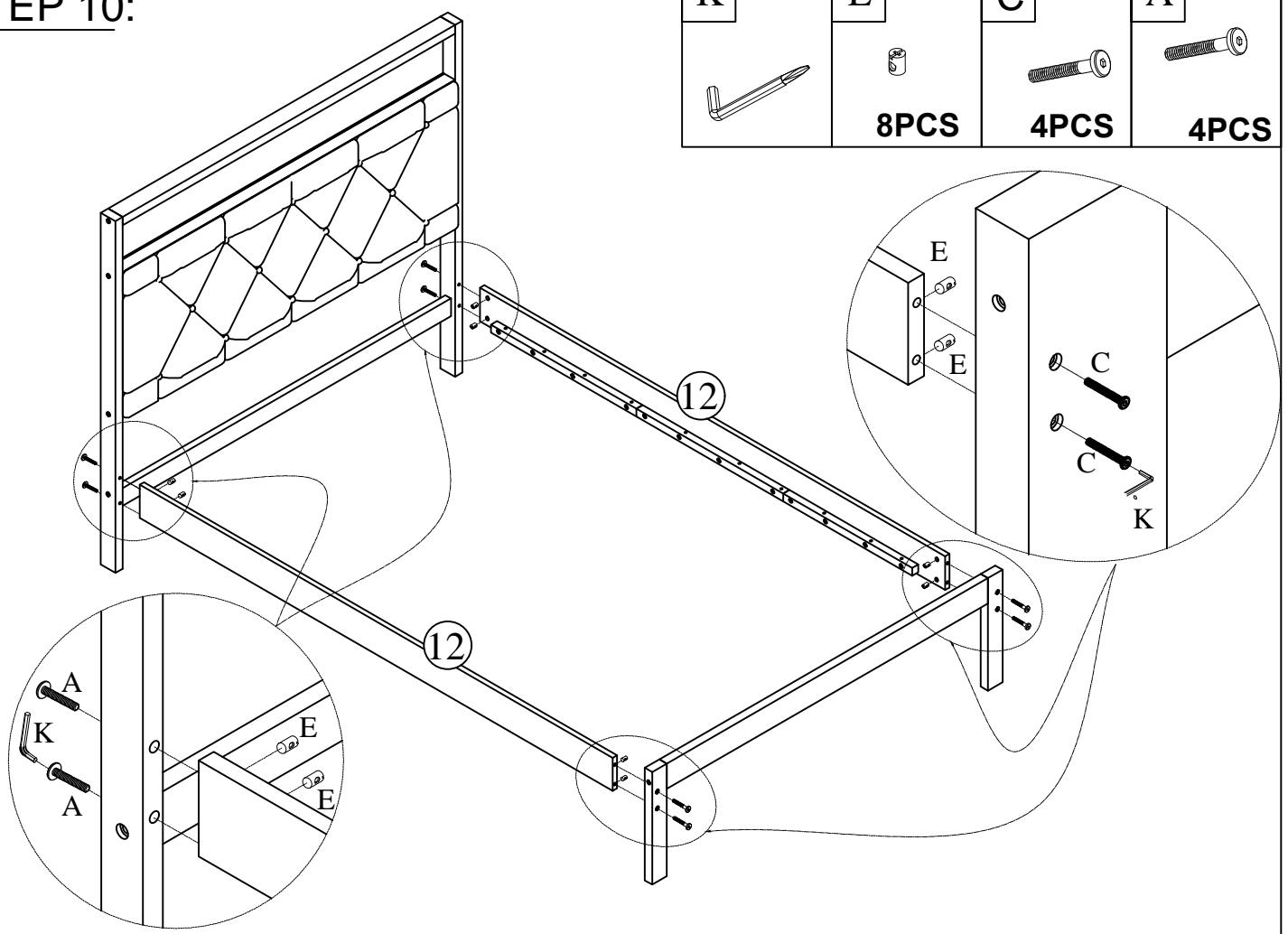
STEP 9:

K	E	G	A
			
	2PCS	4PCS	2PCS

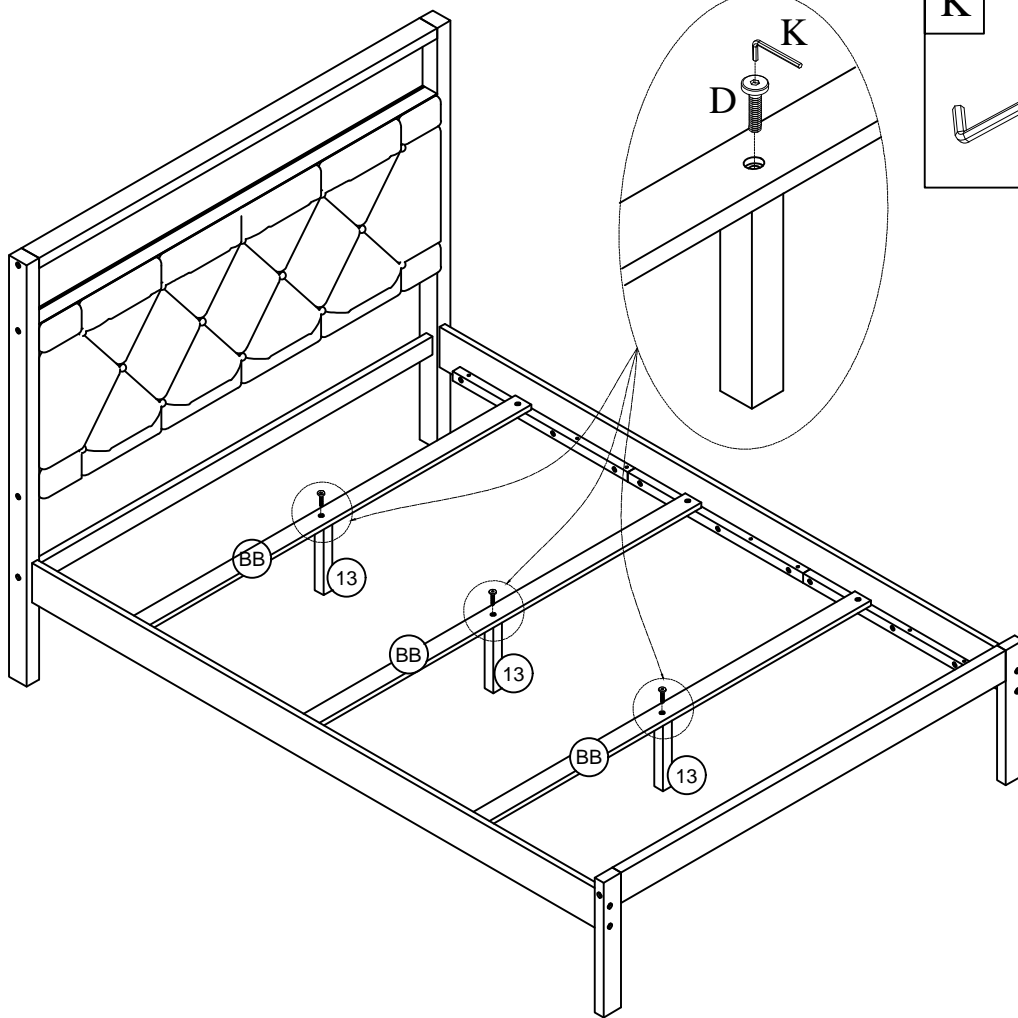


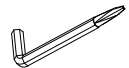

STEP 10:

K	E	C	A
			
	8PCS	4PCS	4PCS

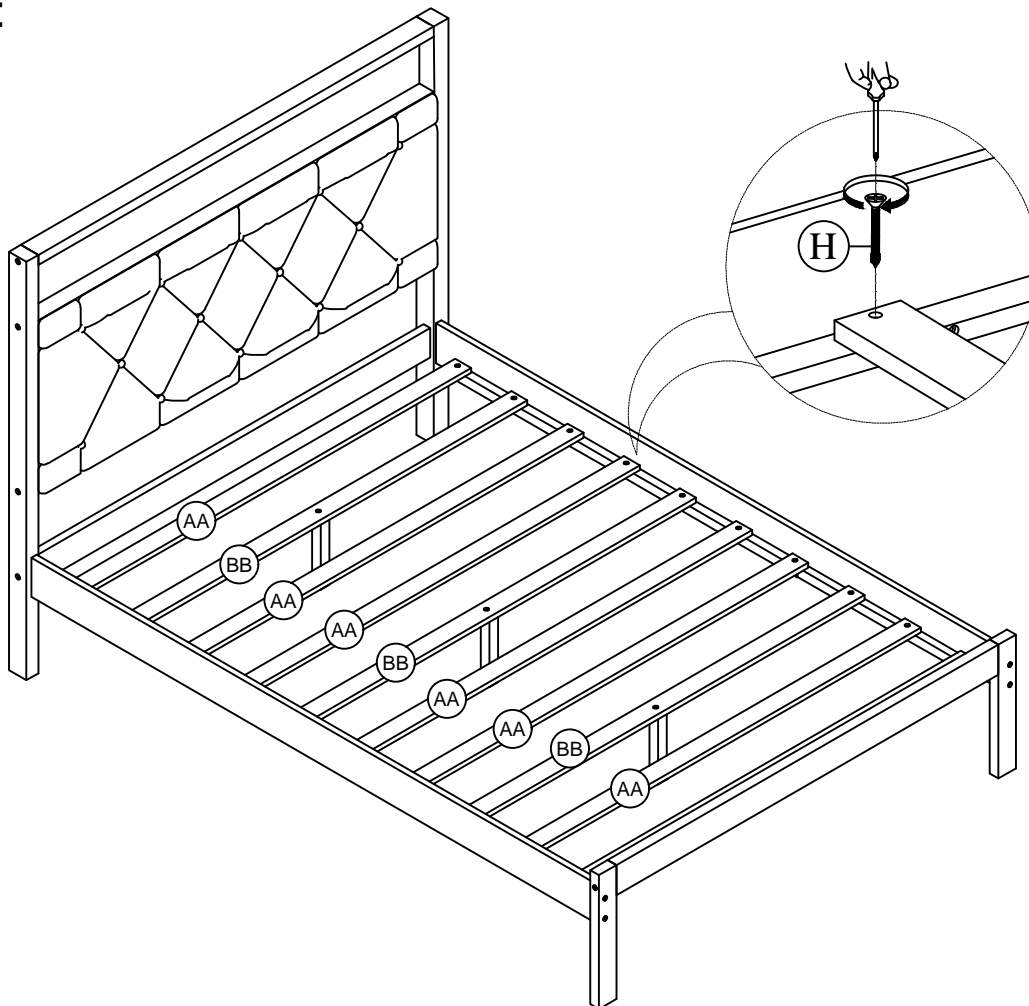



STEP 11:



K	D
	
3PCS	

STEP 12:



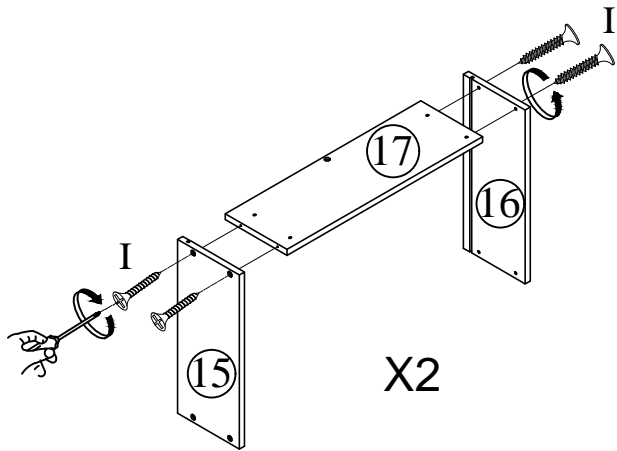
H

20PCS

STEP 13:

I



4PCS



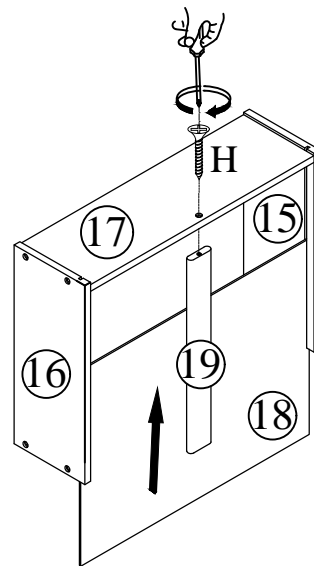
X2

STEP 14:

H



1PC



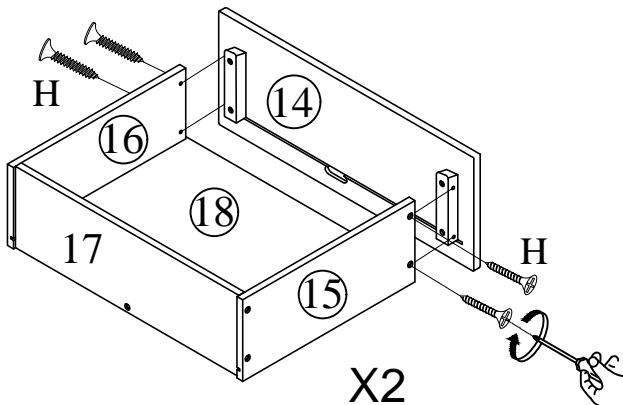
X2

STEP 15:

H



4PCS



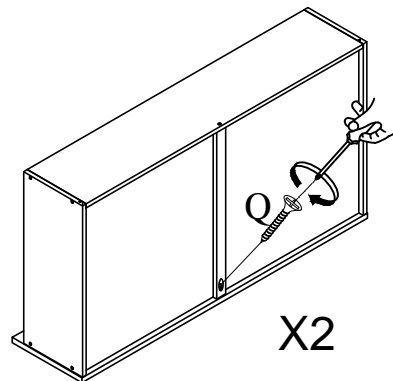
X2

STEP 16:

Q



1PC



X2

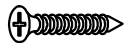
STEP 17:

P

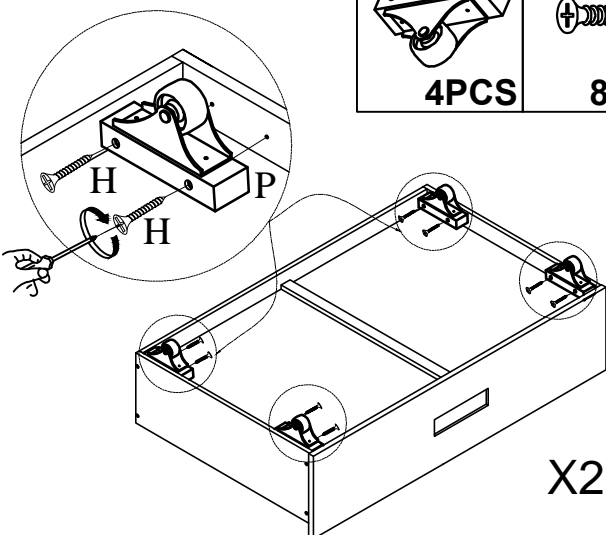


4PCS

H

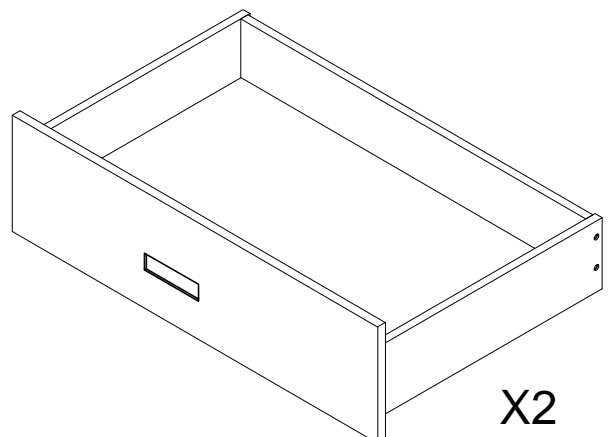


8PCS



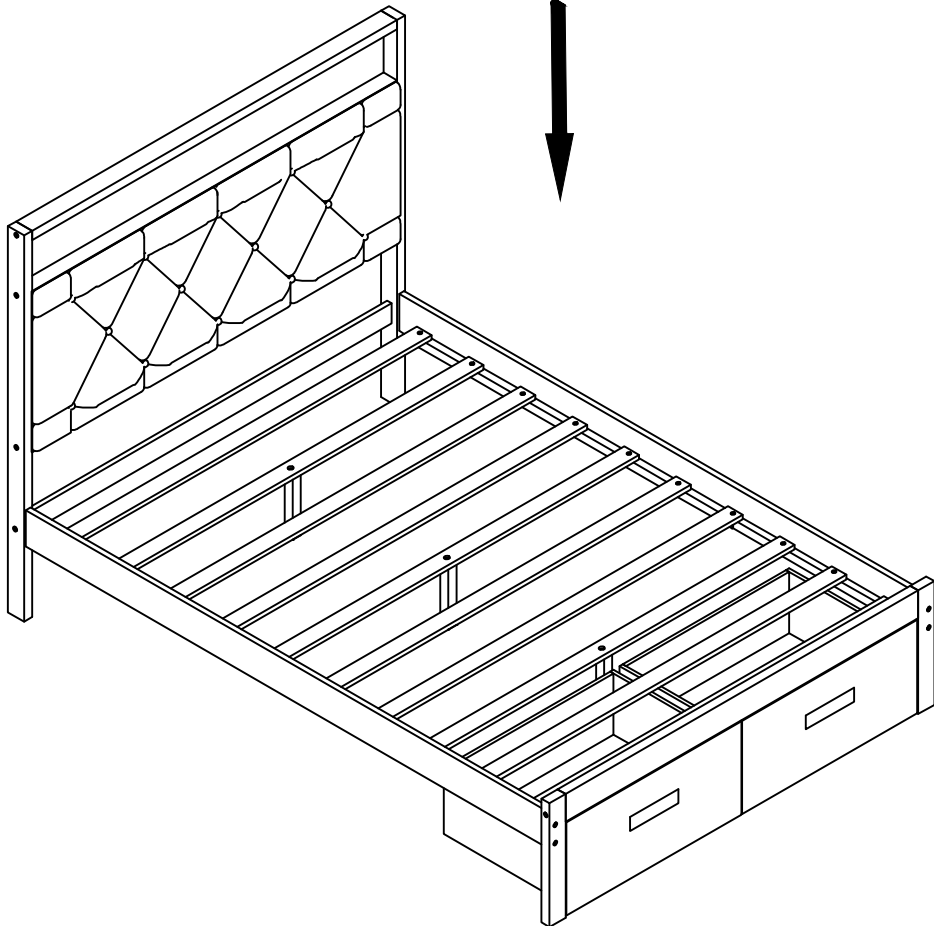
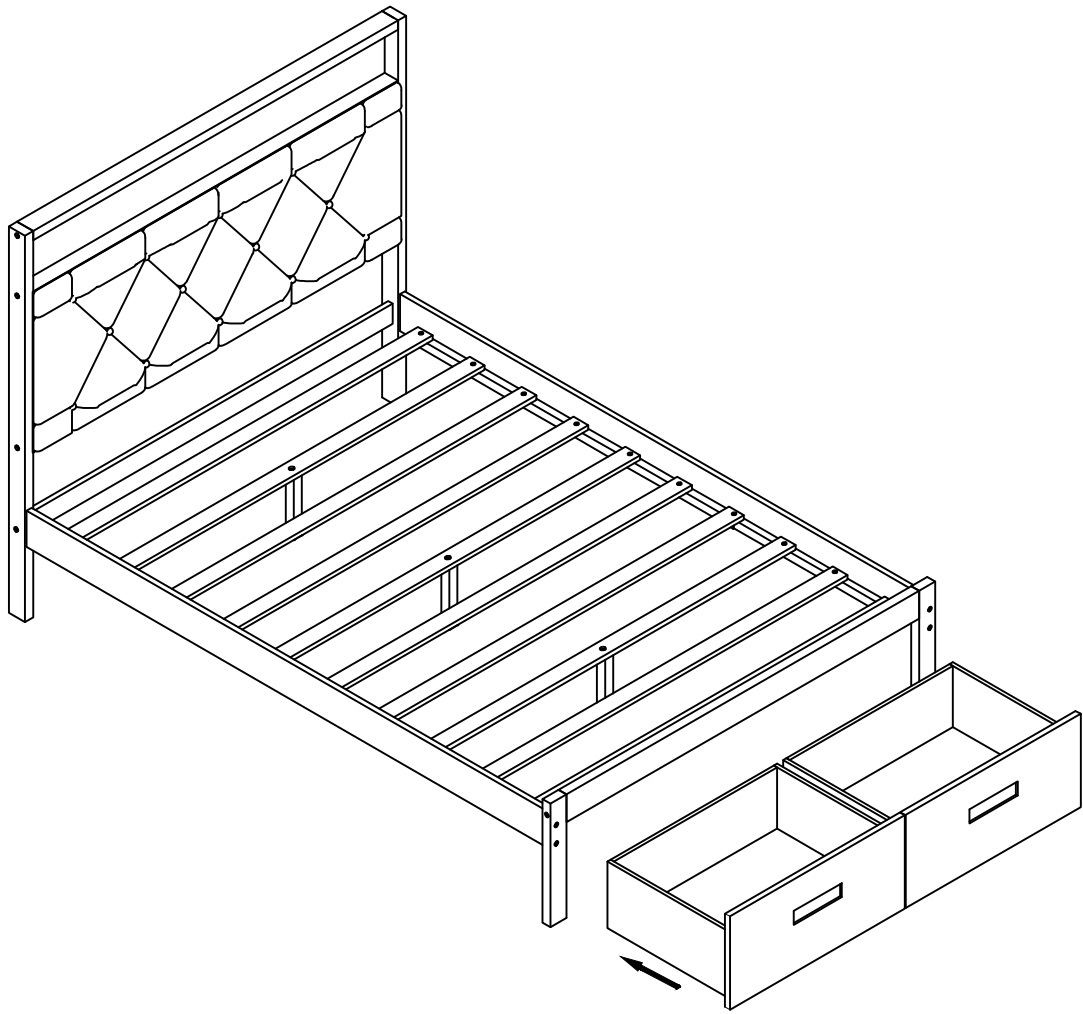
X2

STEP 18:



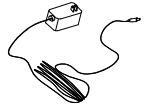
X2

STEP 19:



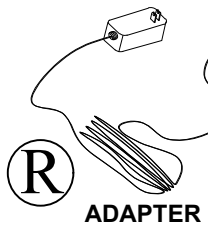
INSTRUCTIONS FOR USING LED LIGHTS

R

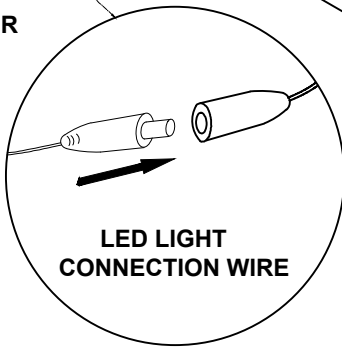


ADAPTER

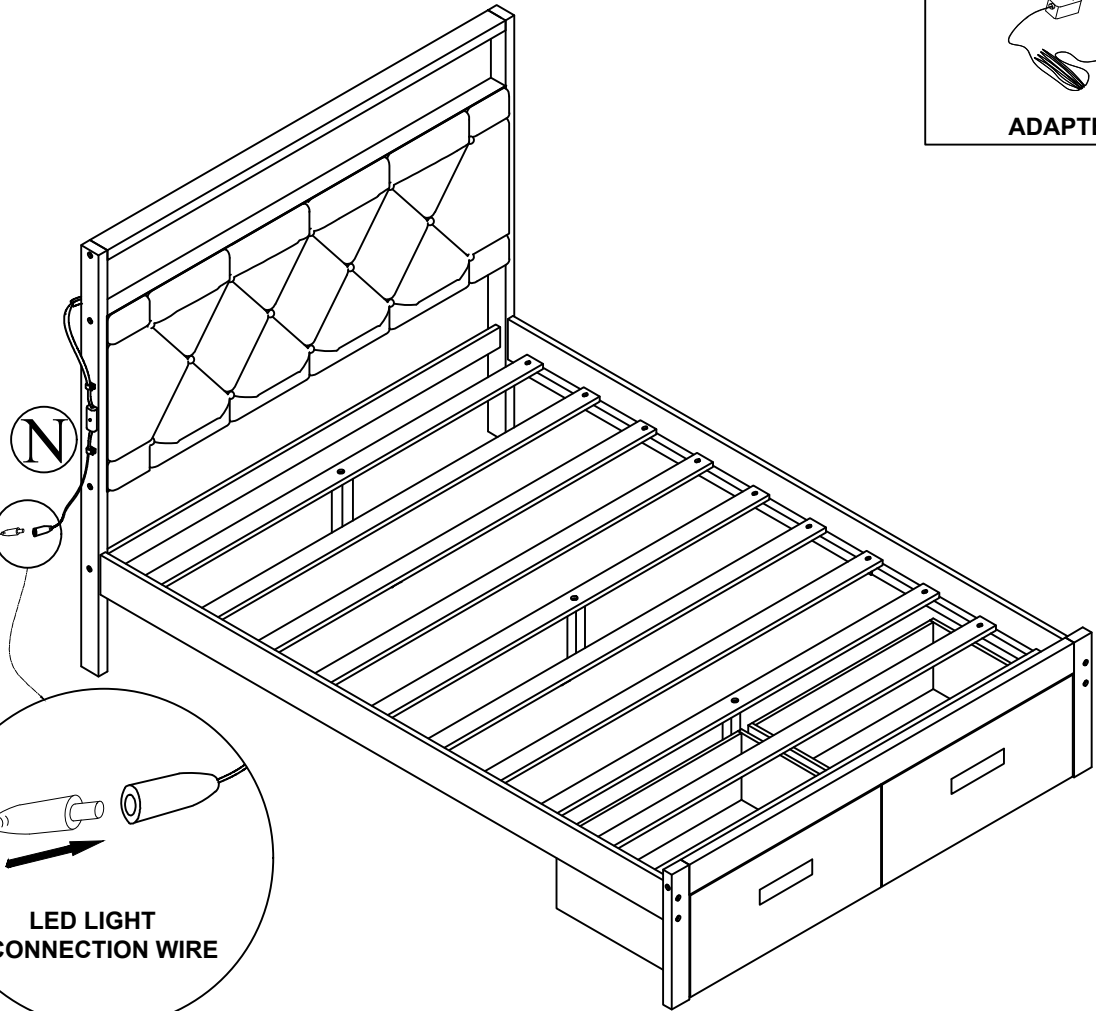
STEP 20:



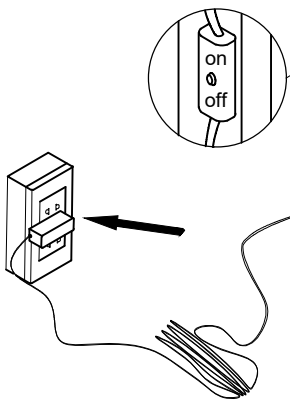
ADAPTER



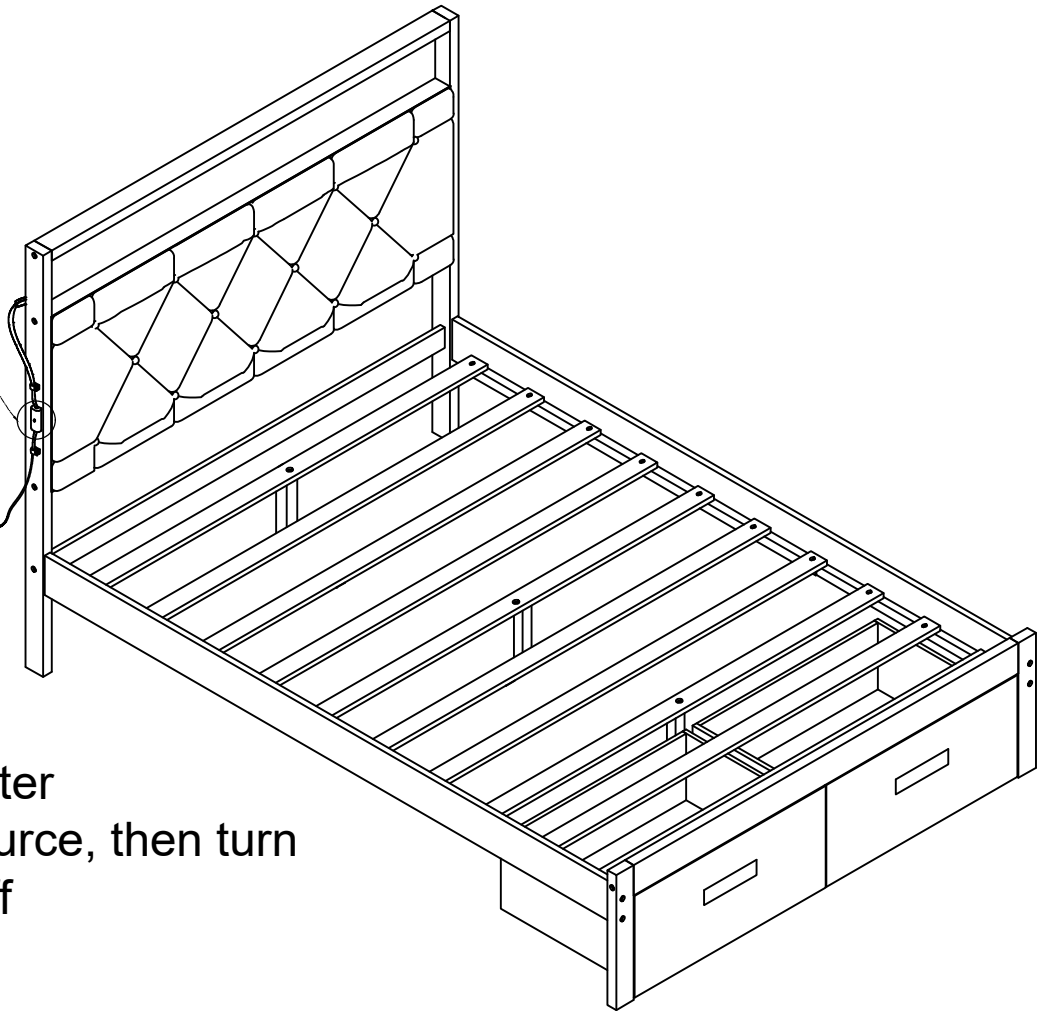
LED LIGHT
CONNECTION WIRE



STEP 21:

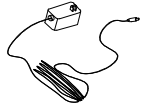


Plug in the adapter
Go to Power Source, then turn
the light on or off



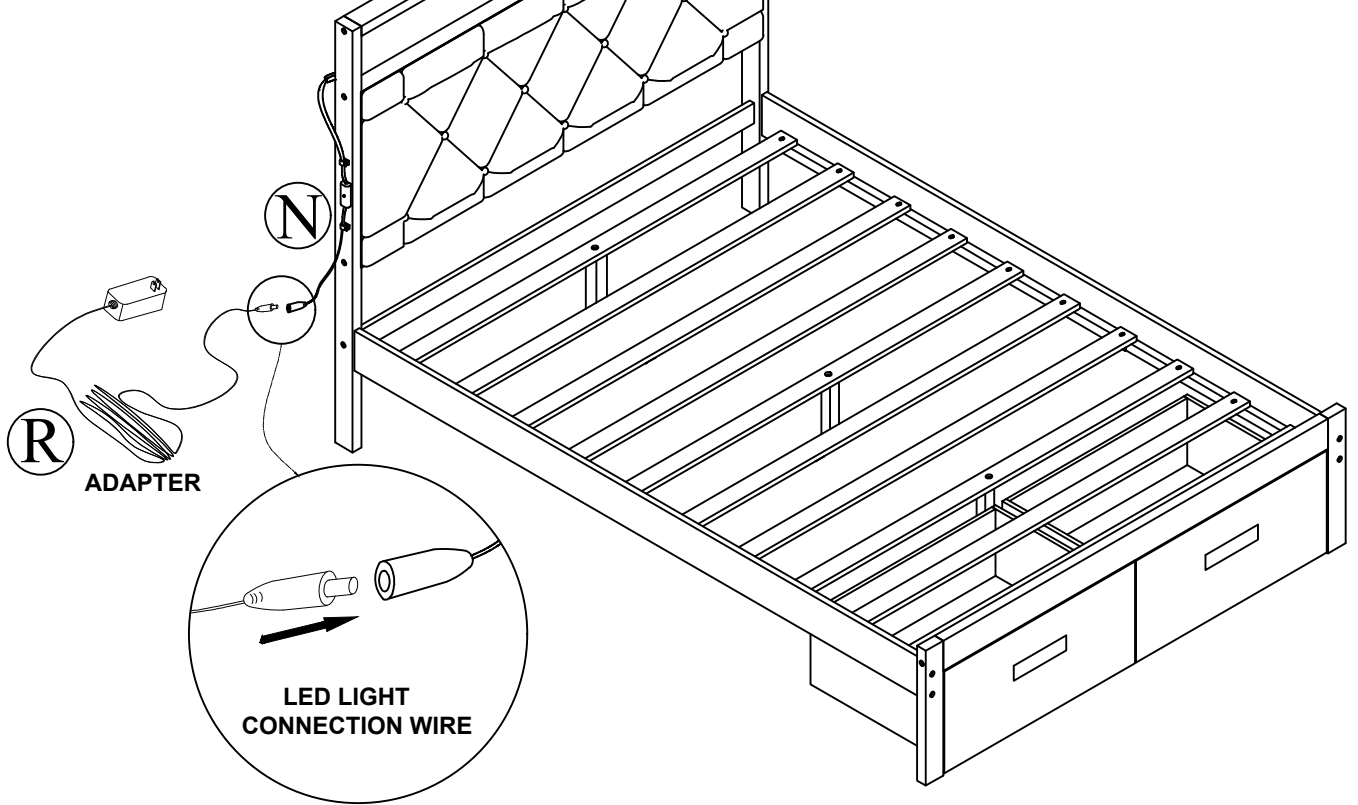
INSTRUCTIONS FOR USING LED LIGHTS

R

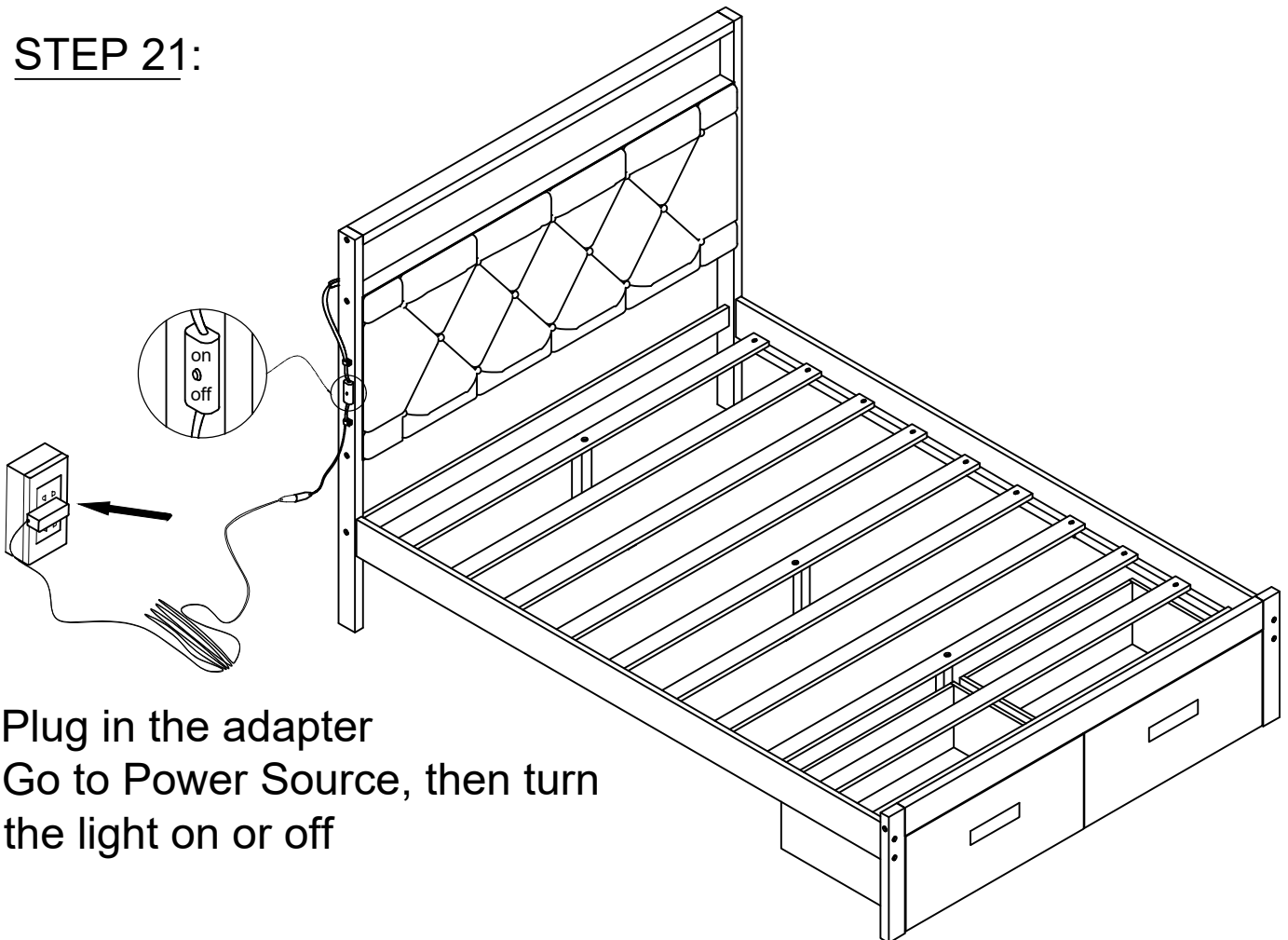


1PC

STEP 20:



STEP 21:



Plug in the adapter
Go to Power Source, then turn
the light on or off