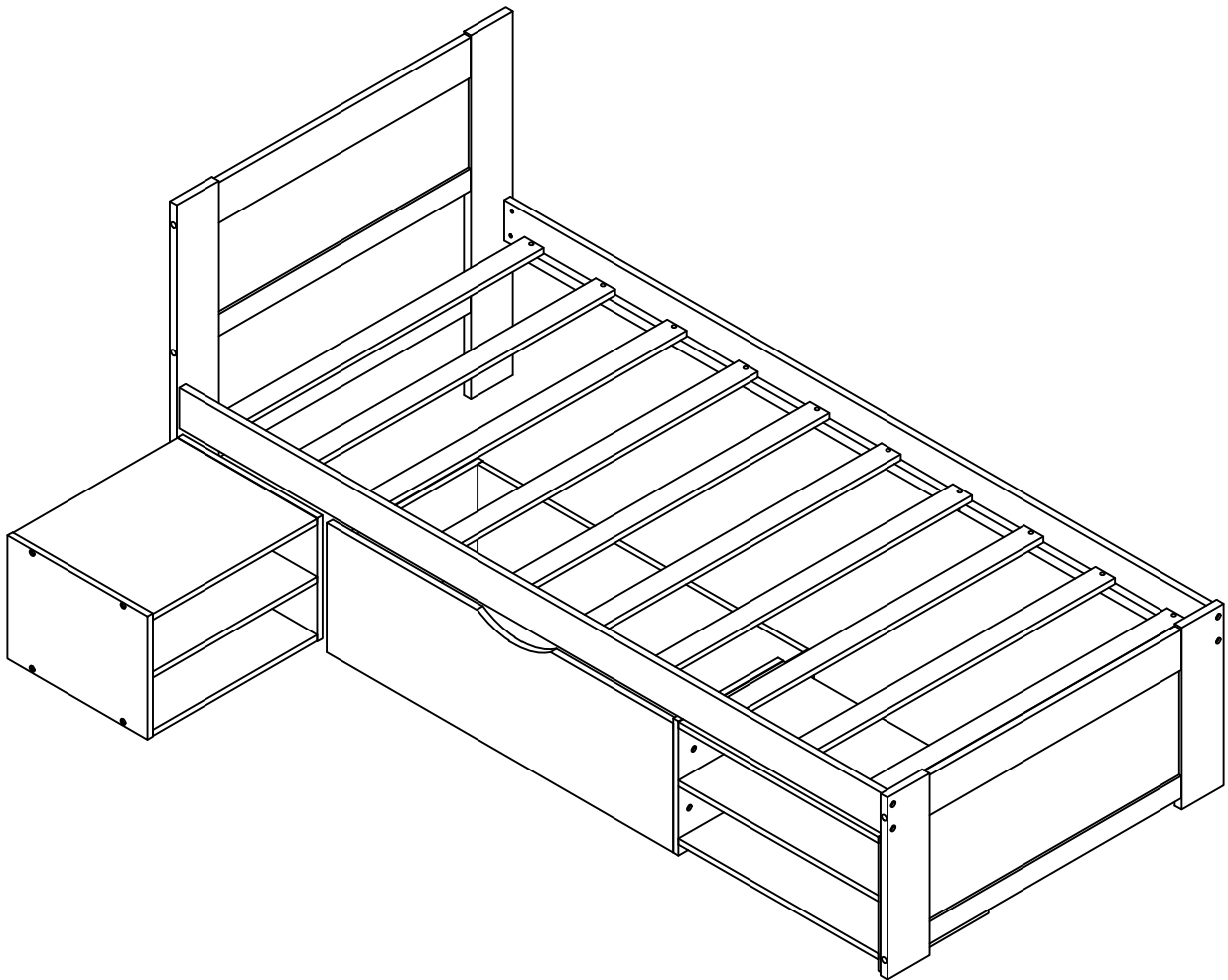


ASSEMBLY INSTRUCTIONS

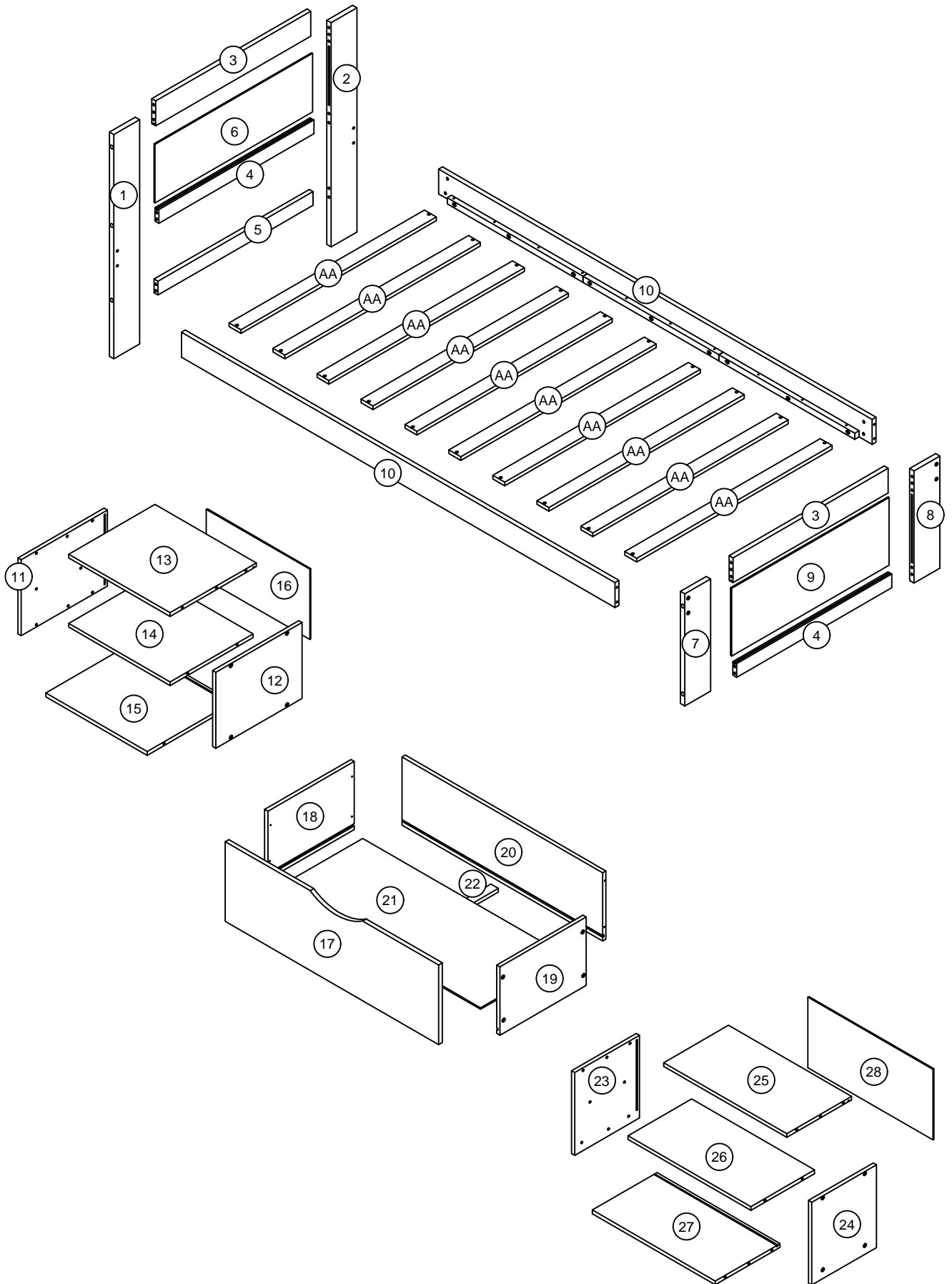
TWIN BED



This set is included 2 boxes if don't receive full 2 boxes please contact our customer service team.

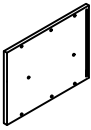
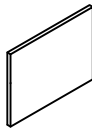
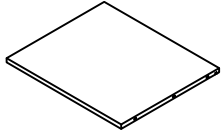
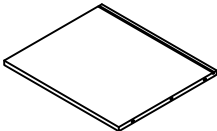
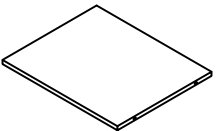
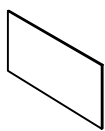


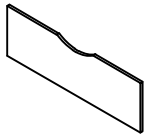
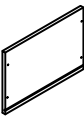
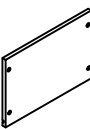
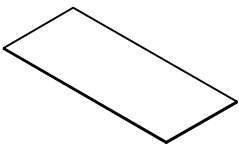
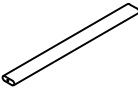
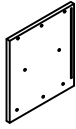
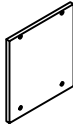
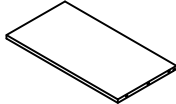
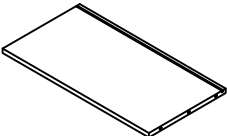
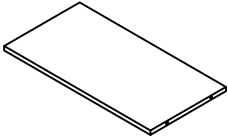
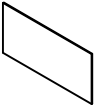
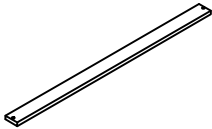
WF324668+69

Detail View



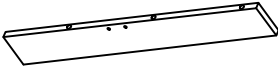








Part List :

WF324668





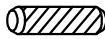
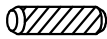






| | | |
|---|---|--|
| 11  Left Panel Headboard -1pc | 12  Right Panel Headboard -1pc | 13  Top Panel Headboard -1pc |
| 15  Bottom Panel Headboard -1pc | 14  Shelf Panel Headboard -1pc | 16  Back Panel Headboard -1pc |
| 7  Left Footboard Leg-1pc | 8  Right Footboard Leg-1pc | 17  Drawer Front-1pc |
| 18  Left Drawer-1pc | 19  Right Drawer-1pc | 21  Drawer Bottom-1pc |
| 22  Drawer Support-1pc | 23  Left Panel Footboard -1pc | 24  Right Panel Footboard -1pc |
| 25  Top Panel Footboard -1pc | 27  Bottom Panel Footboard -1pc | 26  Shelf Panel Footboard -1pc |
| 28  Back Panel Footboard -1pc | AA  Slat-10pcs | |

Part List :

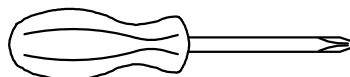
WF324669

| | | |
|--|---|--|
| 1  Left Headboard Leg-1pc | 2  Right Headboard Leg-1pc | 3  Upper Horizontal Bar-2pcs |
| 4  Lower Horizontal Bar-2pcs | 5  Lower Horizontal Bar-1pc | 10  Shoulder Bed -2pcs |
| 6  Panel High Headboard-1pc | 9  Panel Bed Footboard-1pc | 20  Drawer Back-1pc |

Hardware List

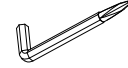


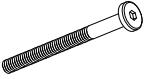
| | | |
|---|--|--|
| A  Ø1/4" x 115mm Hex-Head bolt=10pcs | B  Ø1/4" x 60mm Hex-Head bolt=8pcs | C  Ø1/4" x 25mm Hex-Head bolt=2pcs |
| D  Ø1/4" x Ø10 x 13mm Cross nut =18pcs | E  Ø 10 x 30mm Wood dowel =14pcs | F  Ø 6 x 25mm Wood dowel =16pcs |
| G  Ø4 x 25mm Screw=34pcs | H  Ø4 x 45mm Screw=20pcs | I  Sliding Wheel=4pcs |
| K  Sliding Wheel=4pcs | L  Ø3.5 x 15mm Screws=8pcs | M  K4mm Allen key (1pc) |

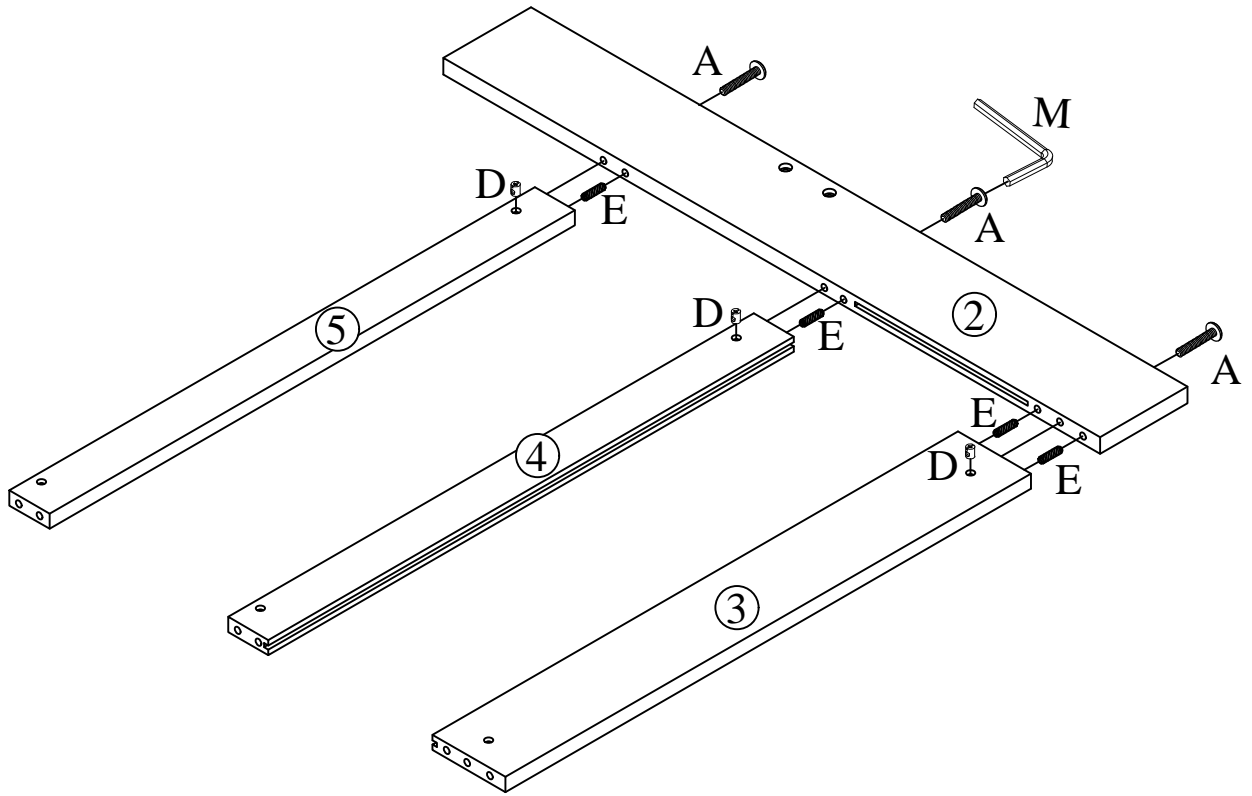
ASSEMBLY TOOLS REQUIRED (NOT INCLUDED)



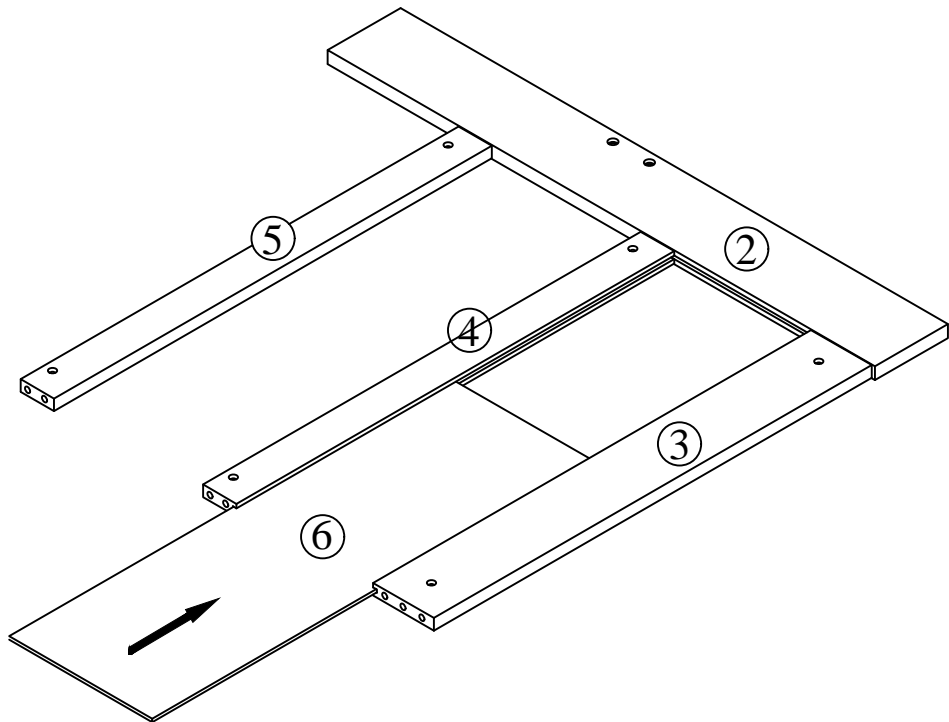
PLEASE BE CAREFUL DO NOT DAMAGE THE HOLE POSITION WHEN YOU USE POWER TOOLS !

STEP 1:

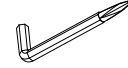


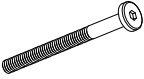
| | | | |
|--|---|---|---|
| M | E | D | A |
|  |  |  |  |
| | 4PCS | 3PCS | 3PCS |

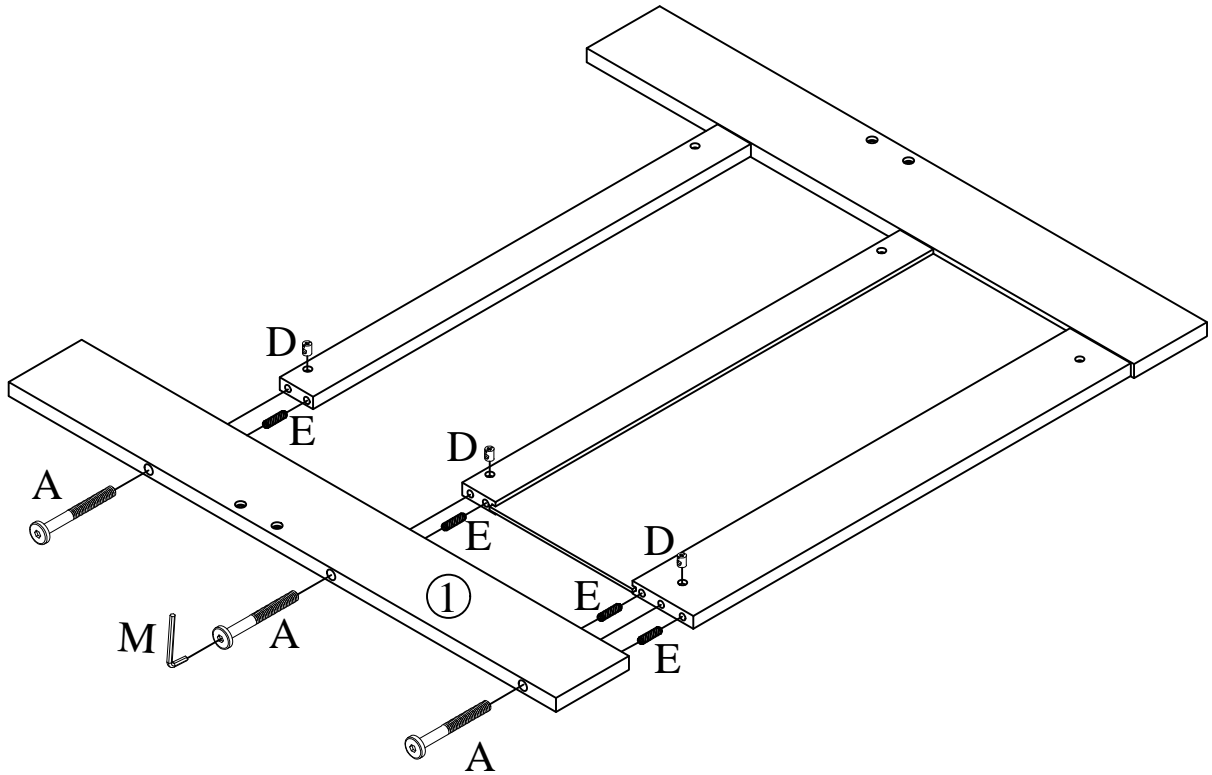


STEP 2:

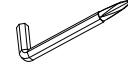


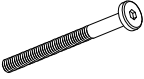


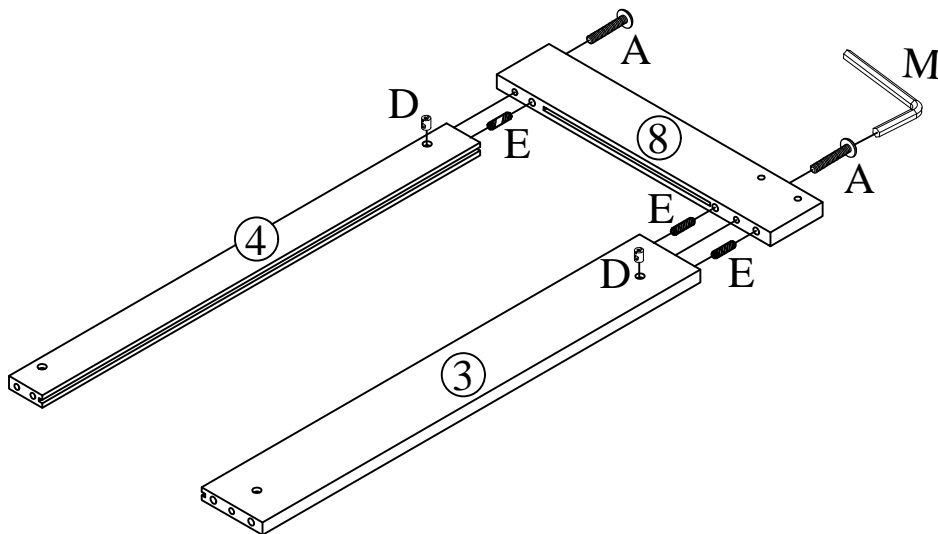
STEP 3:

| | | | |
|--|---|---|---|
| M | E | D | A |
|  |  |  |  |
| | 4PCS | 3PCS | 3PCS |

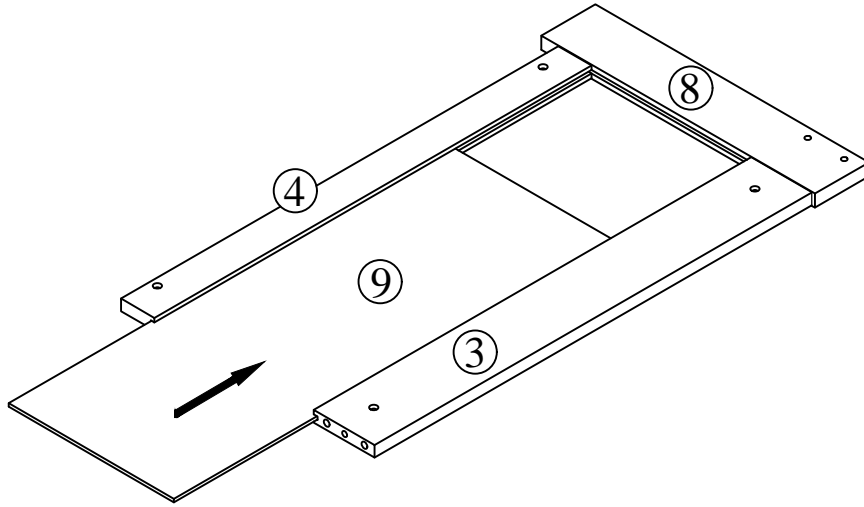


STEP 4:

| | | | |
|--|---|---|---|
| M | E | D | A |
|  |  |  |  |
| | 3PCS | 2PCS | 2PCS |

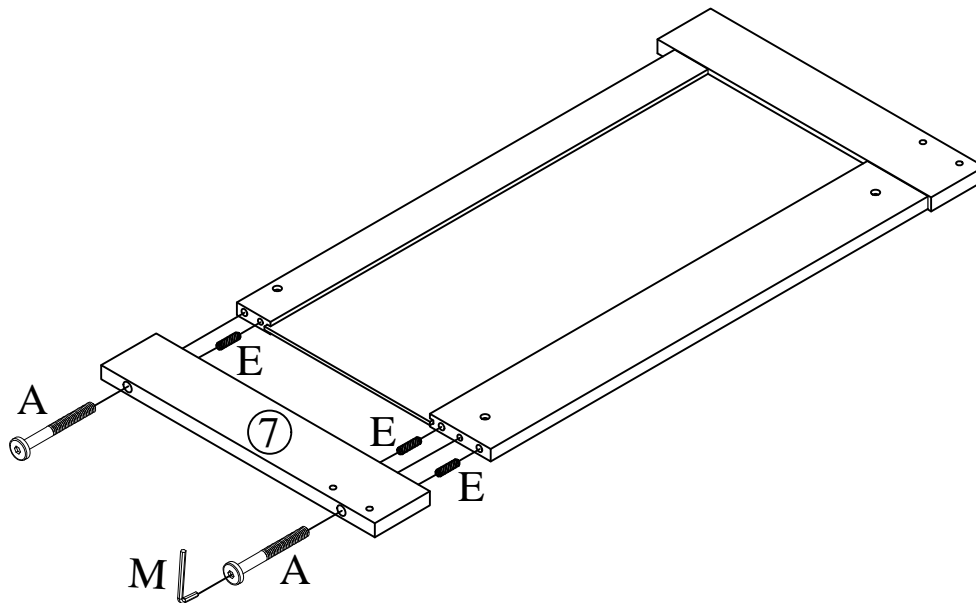


STEP 5:

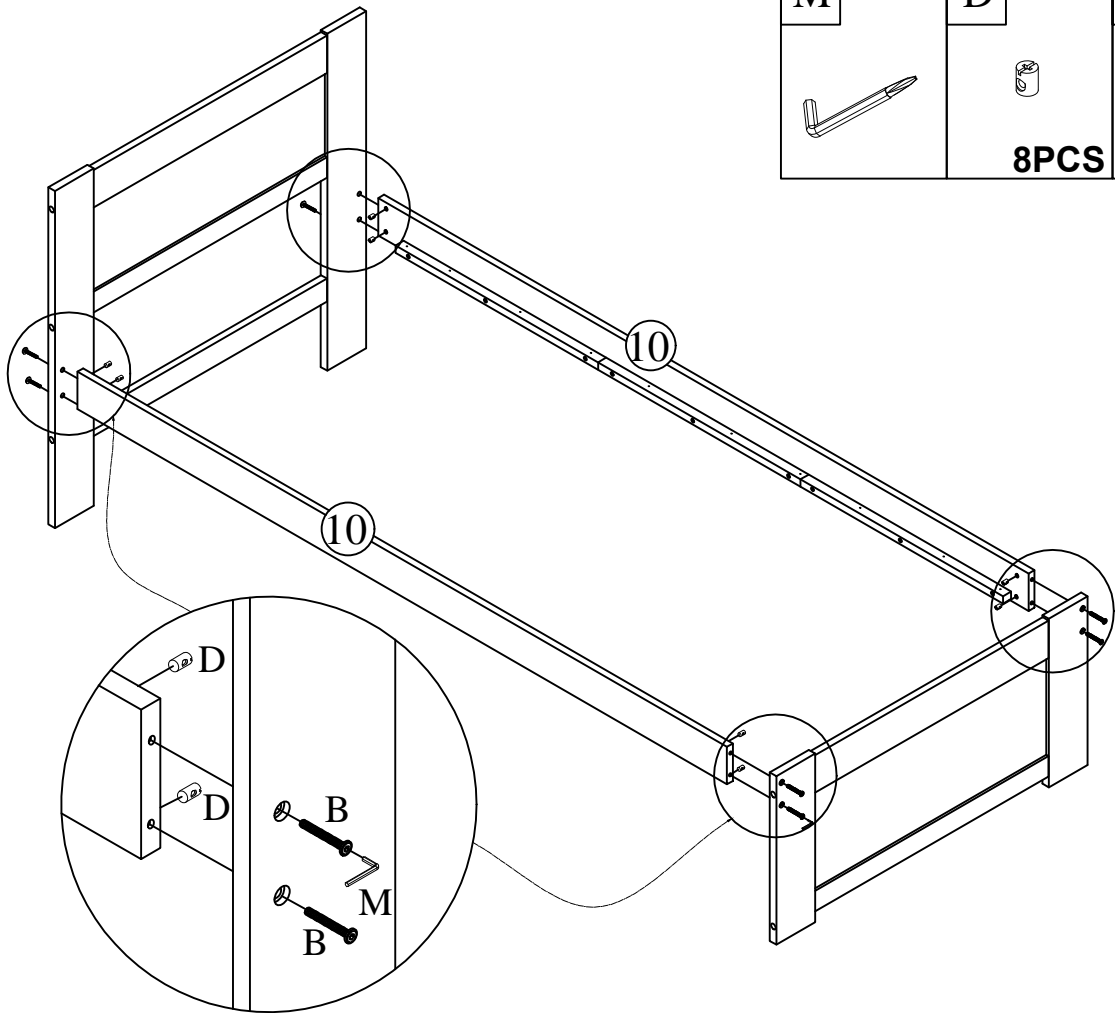


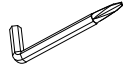

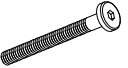
STEP 6:

| M | E | D | A |
|---|-------------|-------------|-------------|
| | | | |
| | 3PCS | 2PCS | 2PCS |

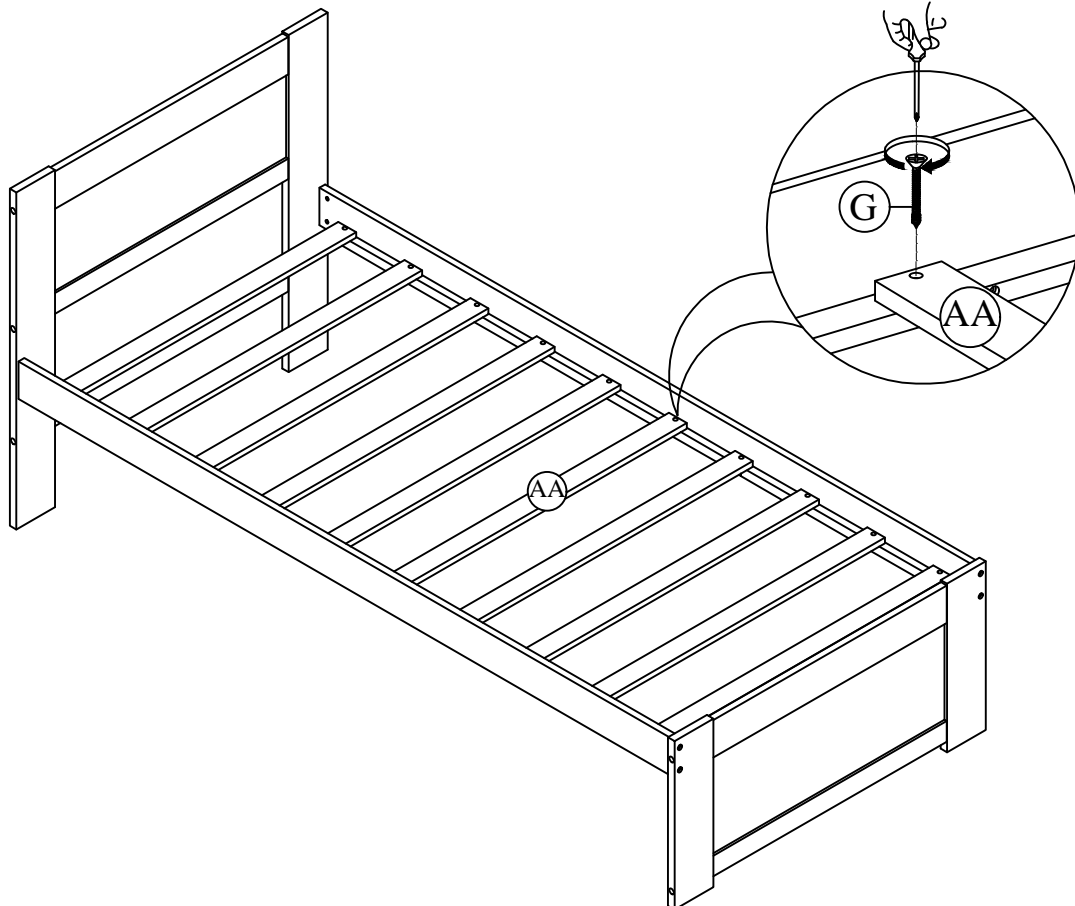



STEP 7:



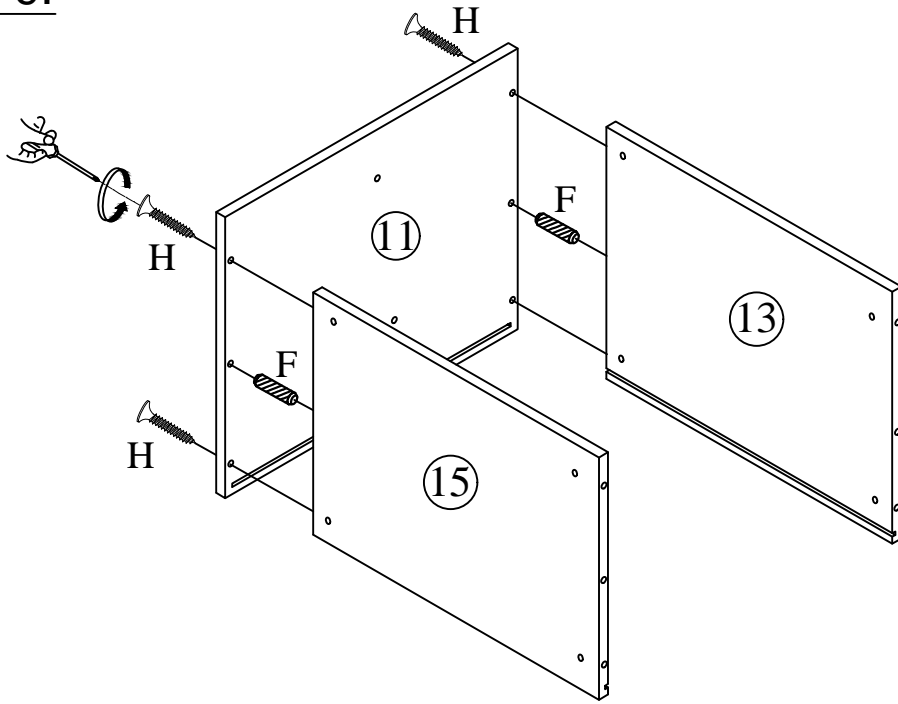
| | | |
|---|---|---|
| M | D | B |
|  |  |  |
| | 8PCS | 8PCS |


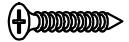
STEP 8:



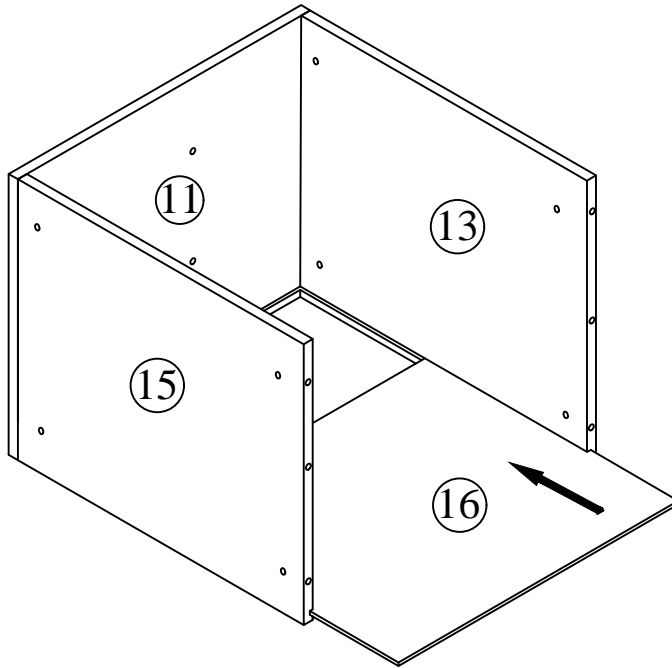
| |
|---|
| G |
|  |
| 20PCS |

STEP 9:

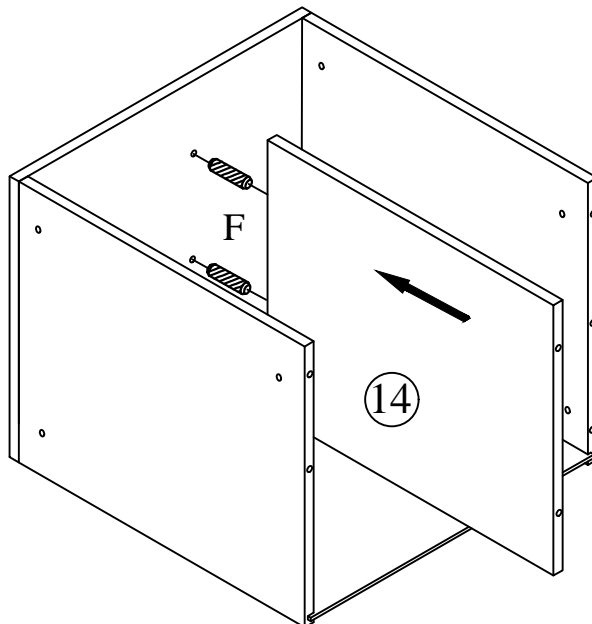


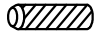
| | |
|---|---|
| F | H |
|  |  |
| 2PCS | 4PCS |

STEP 10:

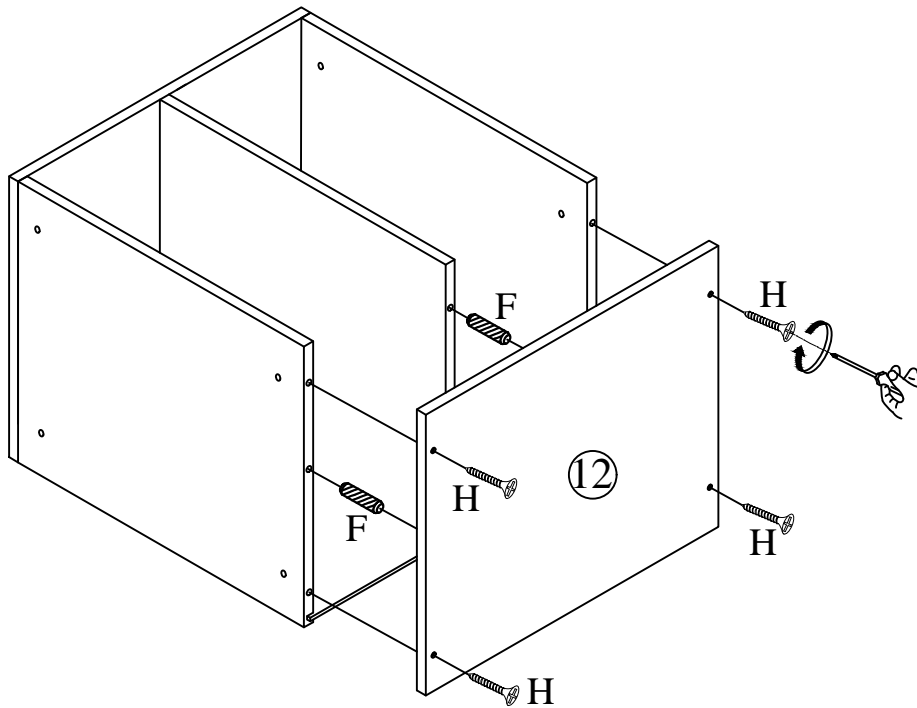




STEP 11:



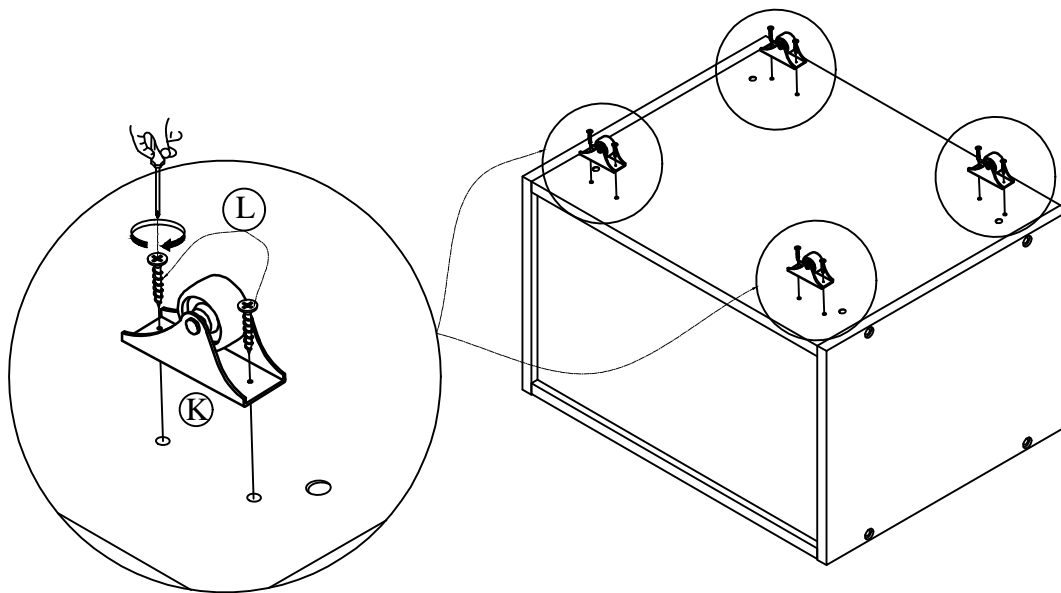
| |
|---|
| F |
|  |
| 2PCS |


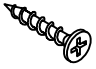
STEP 12:



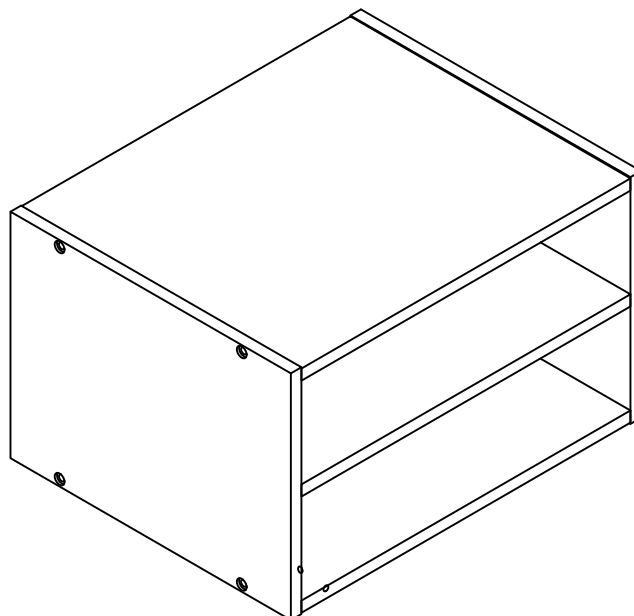
| | |
|---|---|
| F | H |
|  |  |
| 4PCS | 4PCS |

STEP 13:



| | |
|---|---|
| K | L |
|  |  |
| 4PCS | 8PCS |

STEP 14:

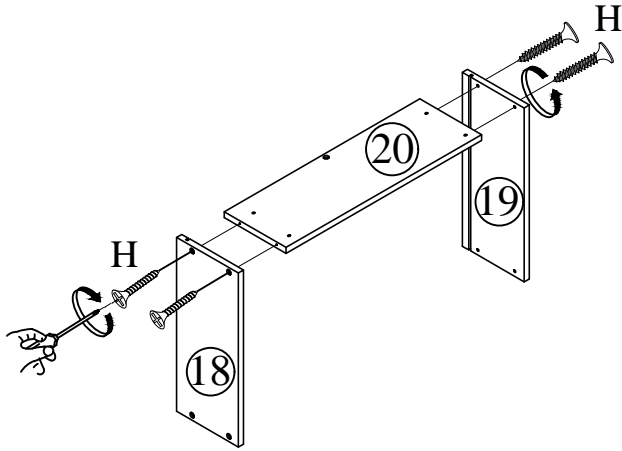


STEP 15:

H



4PCS

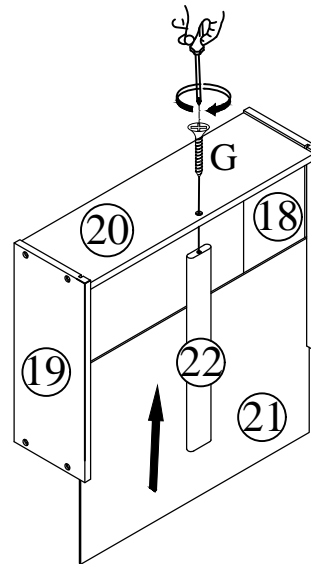


STEP 16:

G

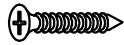


1PC

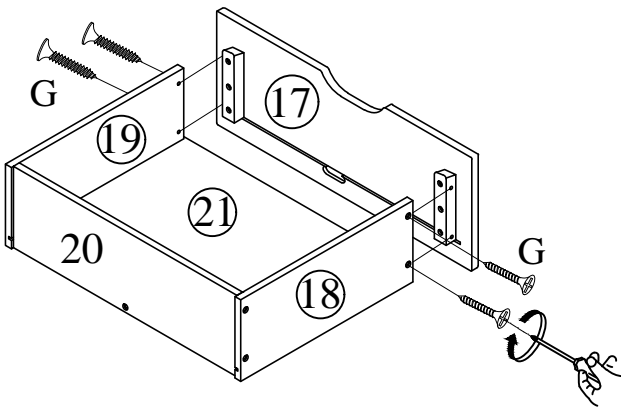


STEP 17:

G



4PCS

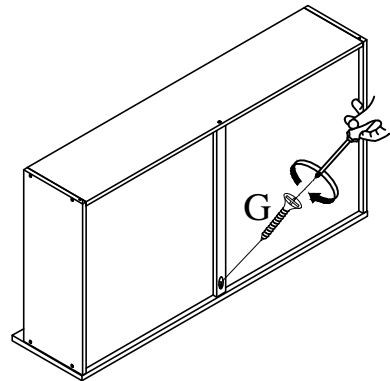


STEP 18:

G



1PC



STEP 19:

I

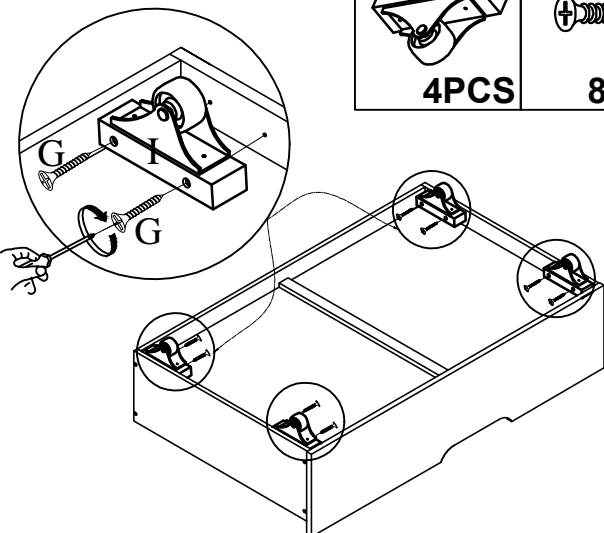


4PCS

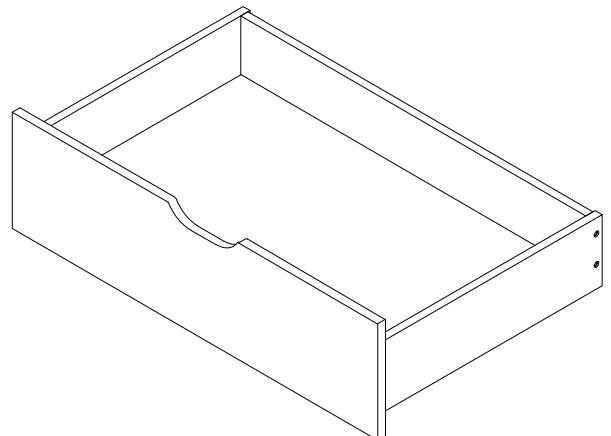
G



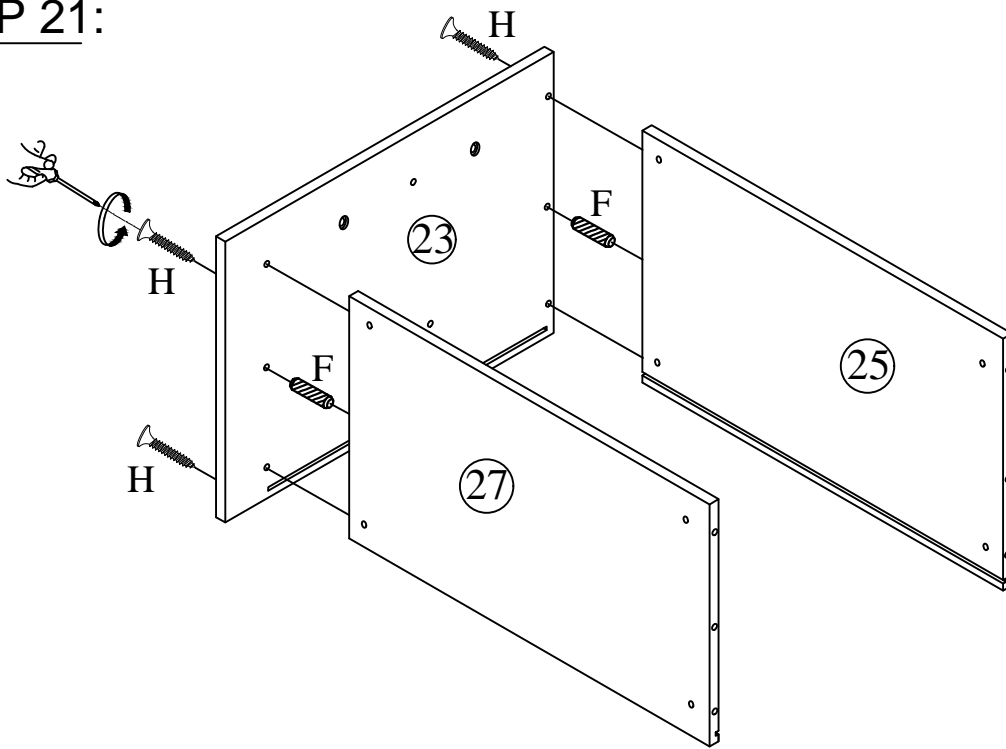
8PCS





STEP 20:

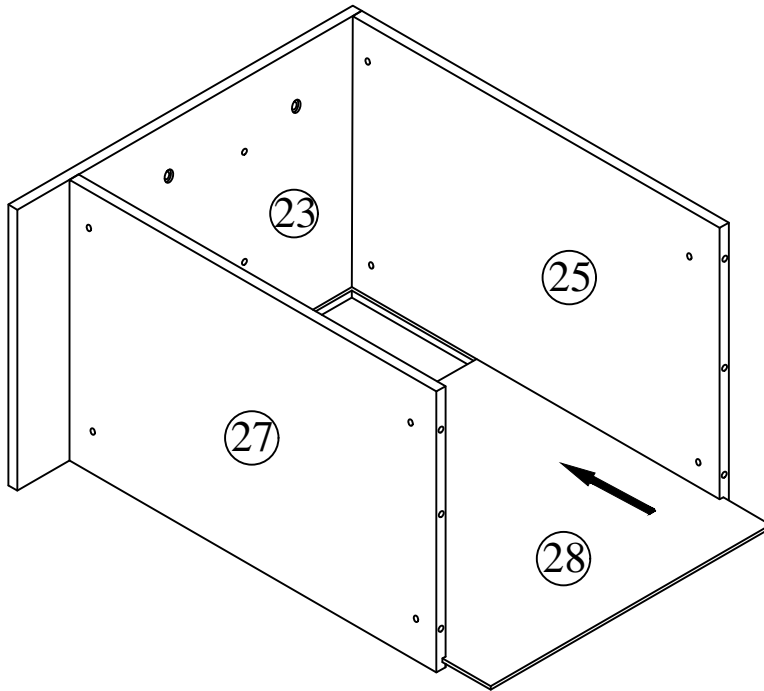


STEP 21:

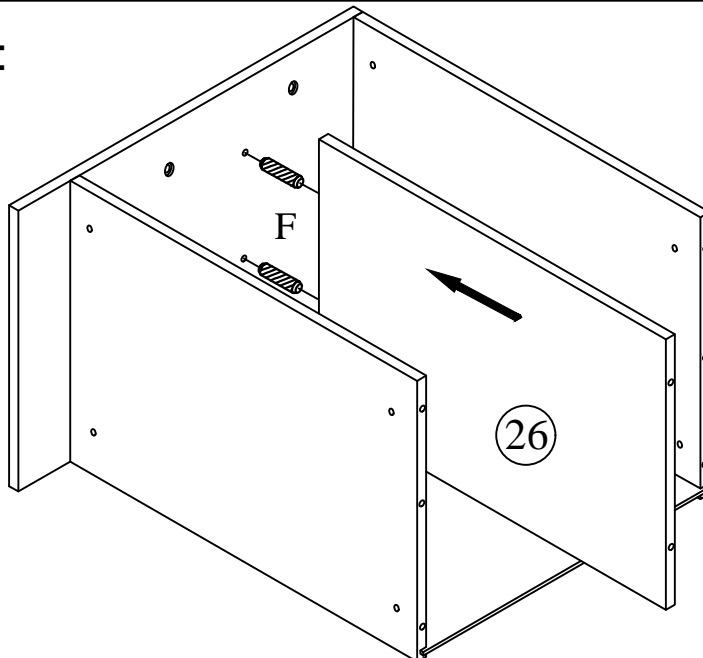



| F | H |
|---|---|
|  |  |
| 2PCS | 4PCS |

STEP 22:





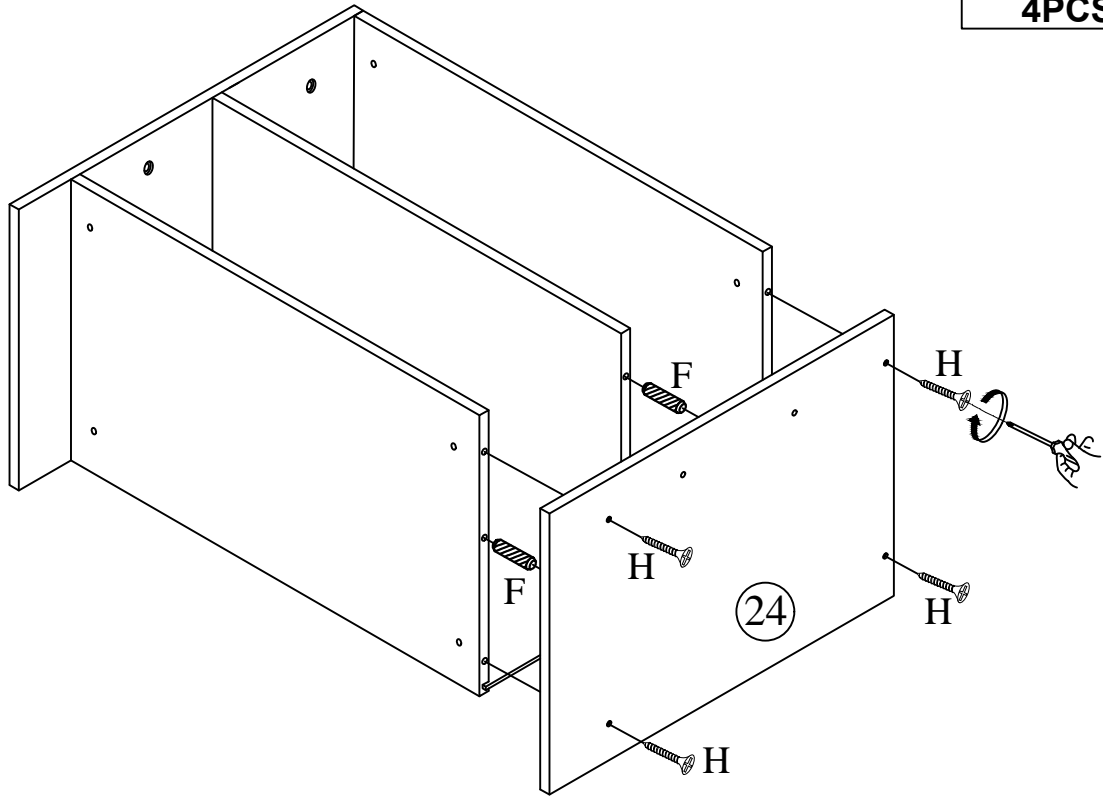
STEP 23:



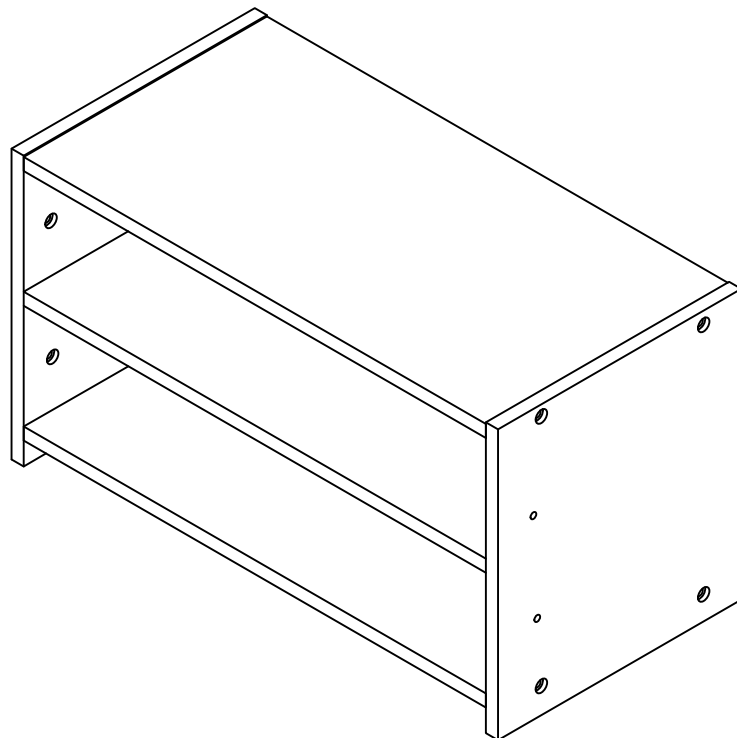
| F |
|---|
|  |
| 2PCS |

STEP 24:

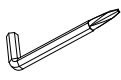

| F | H |
|---|---|
|  |  |
| 4PCS | 4PCS |

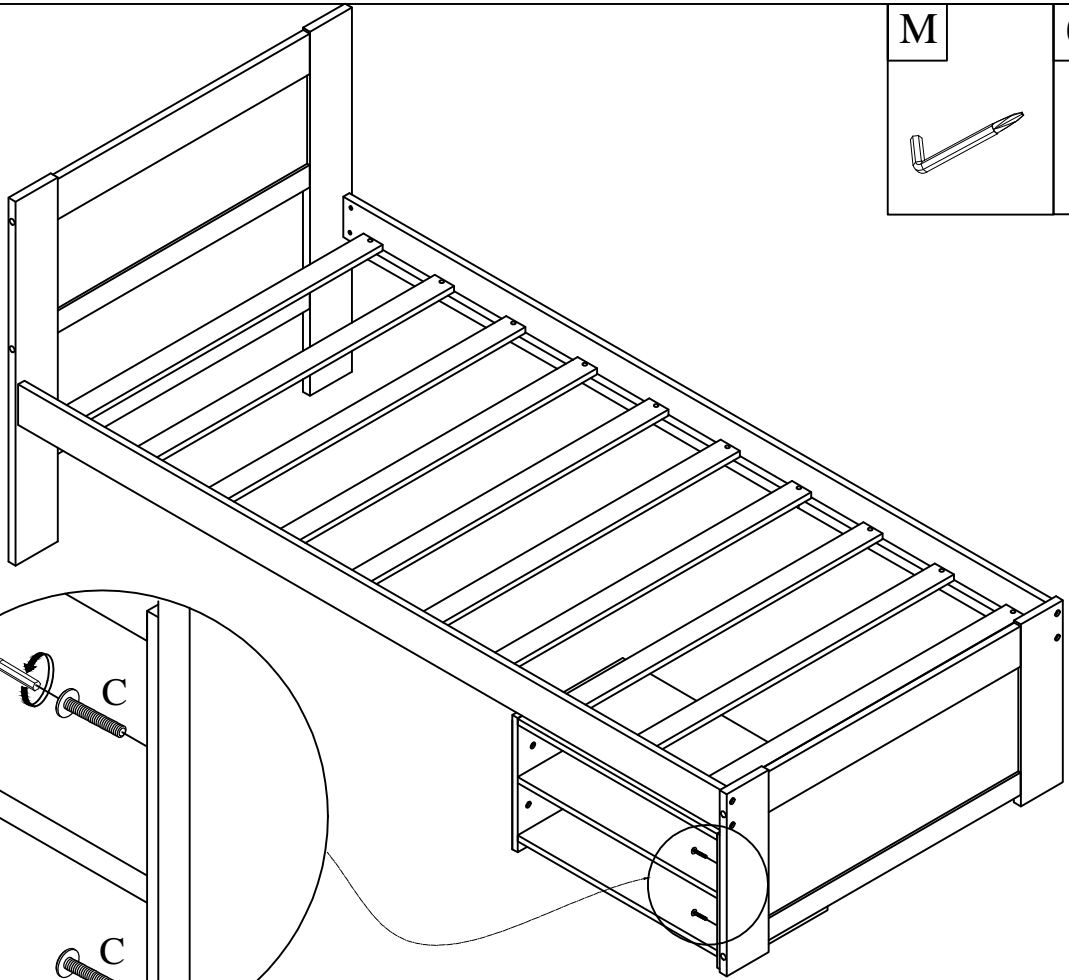
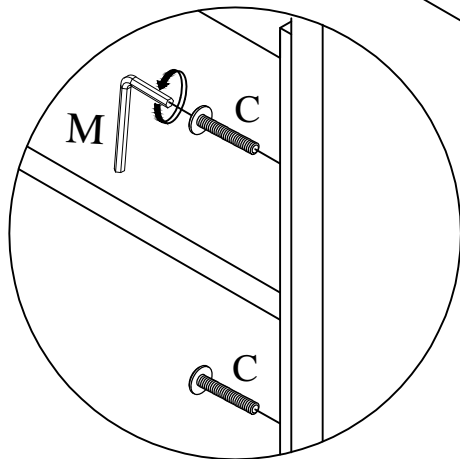


STEP 25:

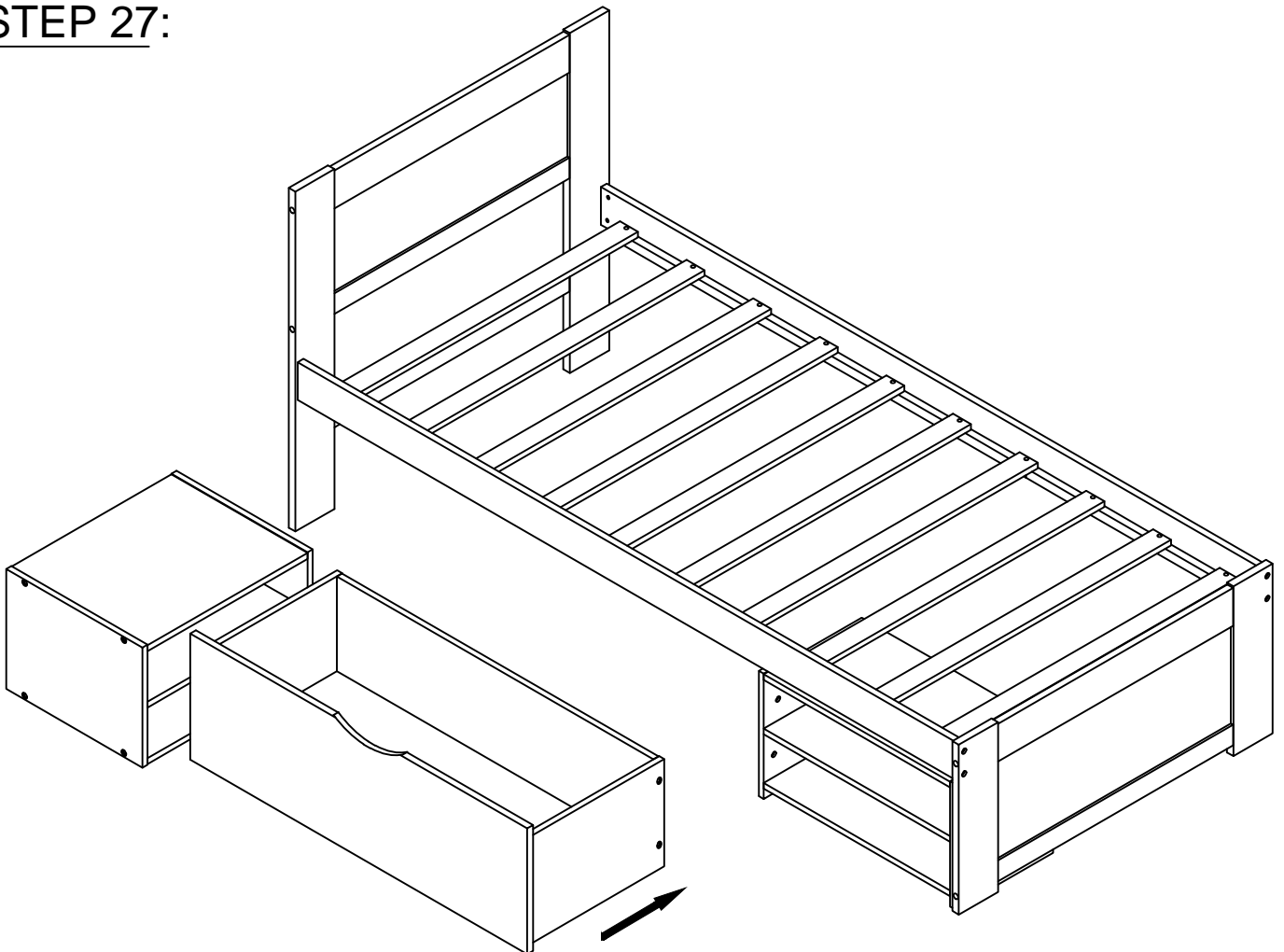


STEP 26:

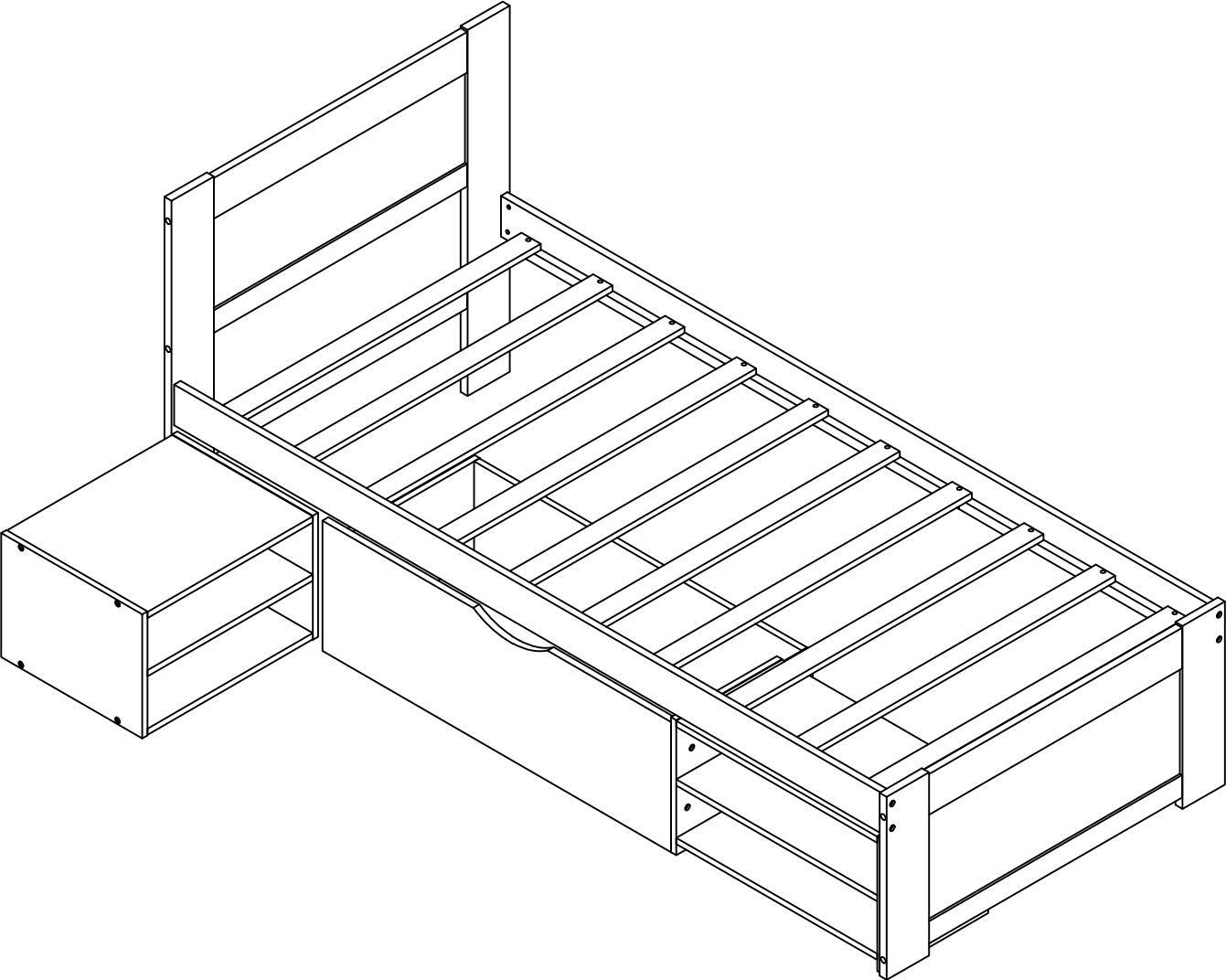
| | |
|---|---|
| M | C |
|  |  |
| | 2PCS |



STEP 27:



STEP 28:



Assembly is Completed