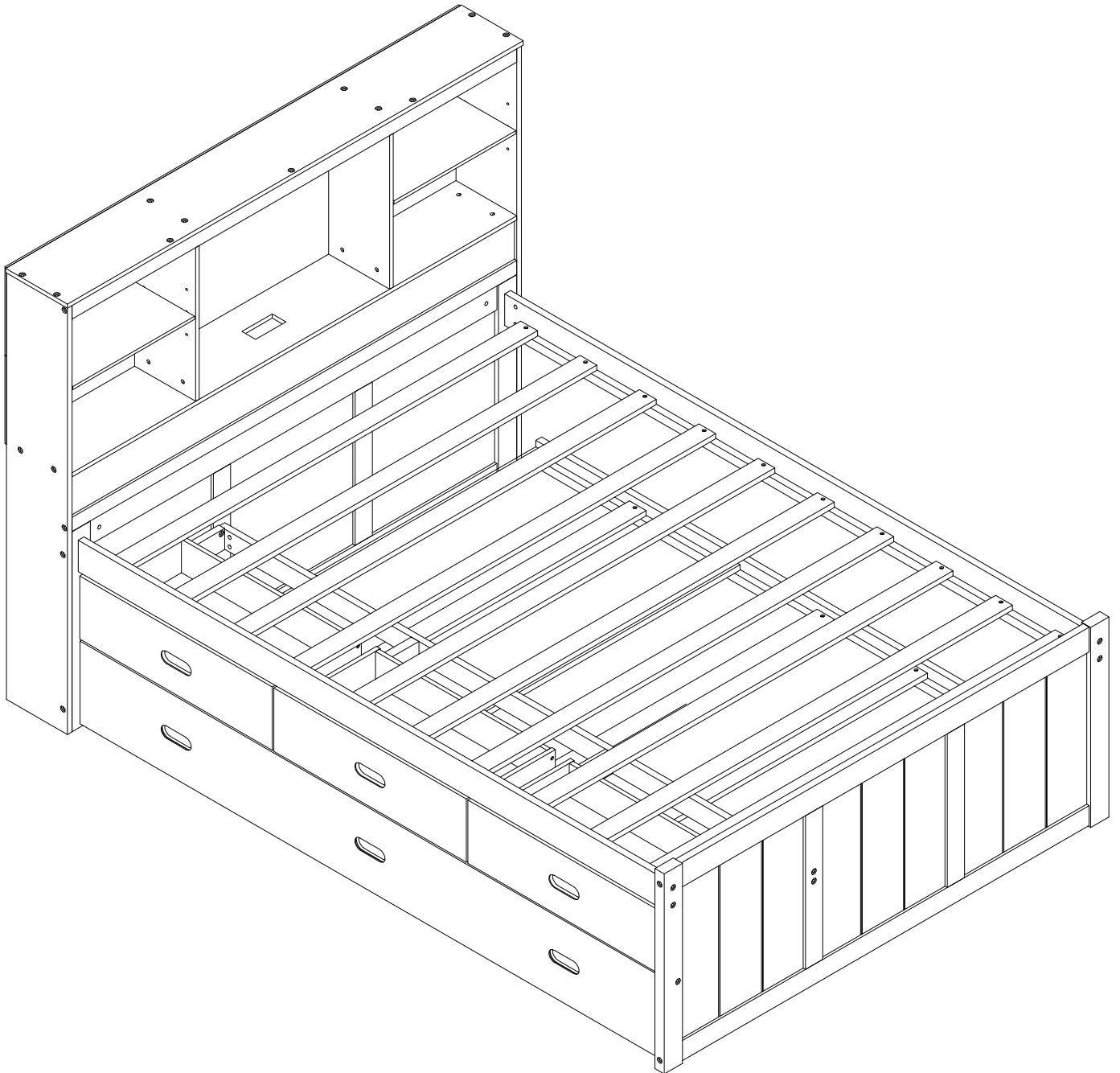


ASSEMBLY INSTRUCTION

SKU CODE: (WF321790-WF321791)

This set includes 2 boxes if don't receive full 2 boxes please contact our customer service team



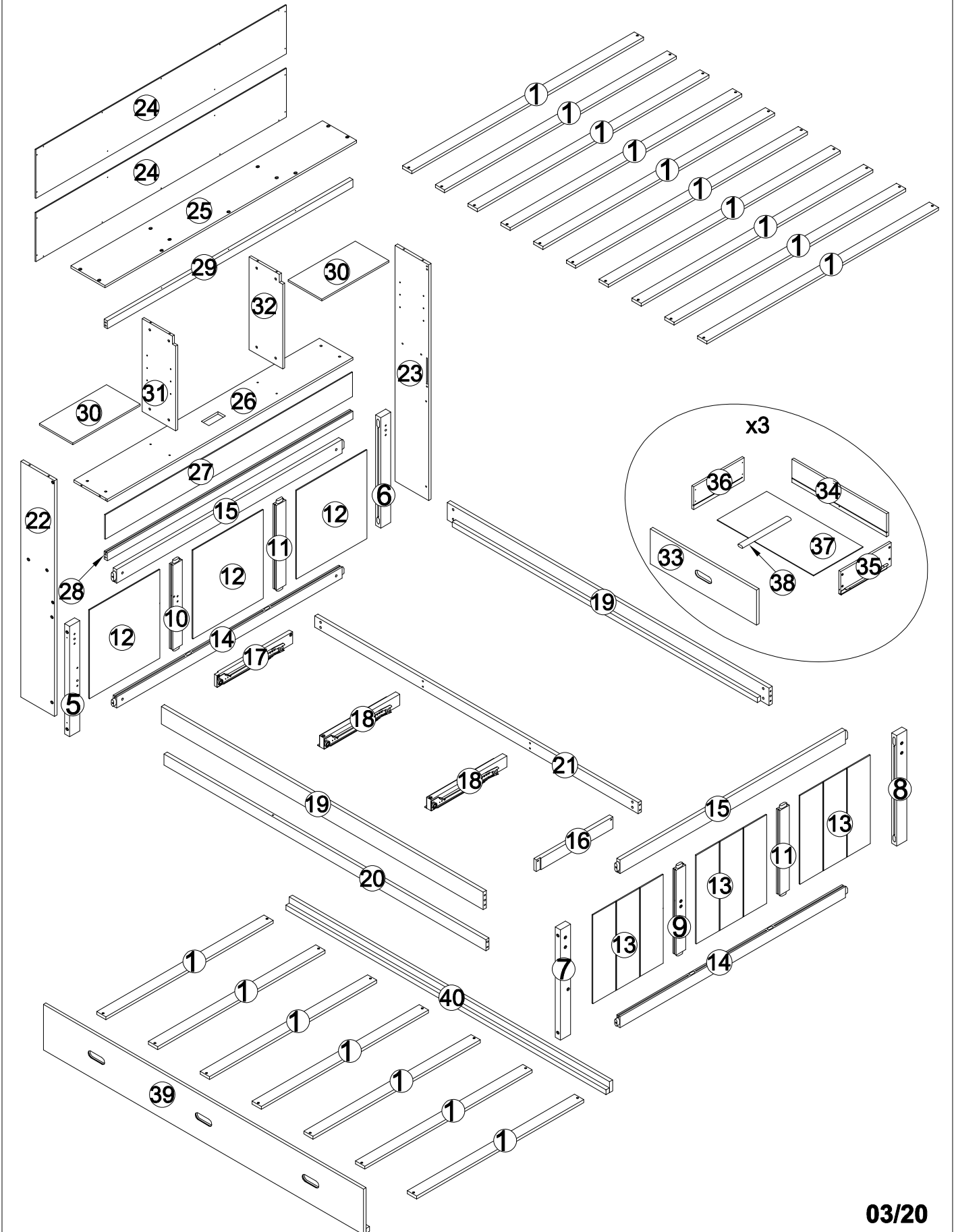
SAFETY WARNINGS AND GENERAL NOTES:

- 1. Do not use substitute parts. Contact the manufacturer or dealer for replacement parts.**
- 2. Keep these instructions for future reference.**
- 3. We recommend assembling your bed on the shipping carton to protect your floor or carpet.**
- 4. Be certain all staples are out of the box before beginning assembly on the shipping carton.**

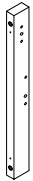

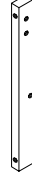




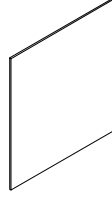
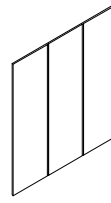
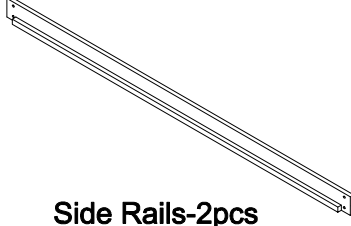
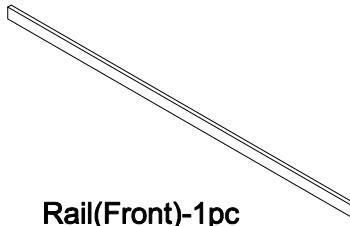
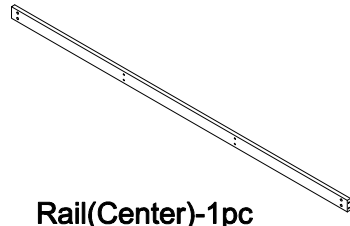


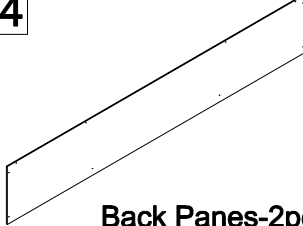
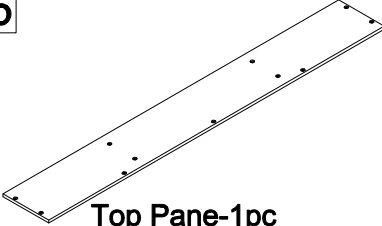
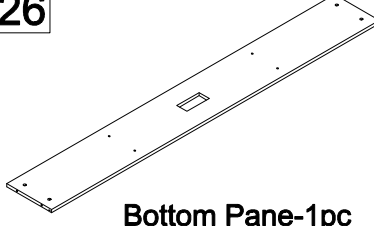
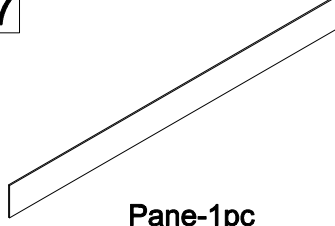
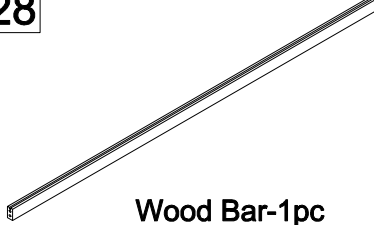
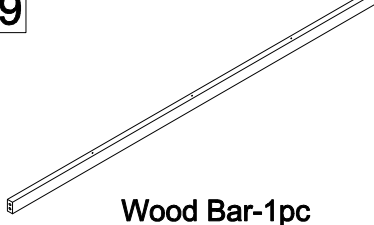
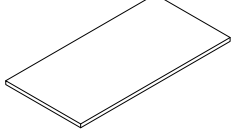
5.Replacement Parts:

Replacement Parts, including additional guardrails, may be obtained from any of our (GIGACLOUD TECHNOLOGY (USA) INC.) dealers

ASSEMBLY INSTRUCTION

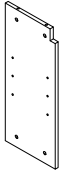


Part List & Hardware List (Box 1-WF321790)

<p>5</p>  <p>Leg-1pc</p>	<p>6</p>  <p>Leg-1pc</p>	<p>7</p>  <p>Leg-1pc</p>
<p>8</p>  <p>Leg-1pc</p>	<p>9</p>  <p>Vertical Bar-1pc</p>	<p>10</p>  <p>Vertical Bar-1pc</p>
<p>11</p>  <p>Vertical Bars-2pcs</p>	<p>12</p>  <p>Panels-3pcs</p>	<p>13</p>  <p>Panels-3pcs</p>
<p>19</p>  <p>Side Rails-2pcs</p>	<p>20</p>  <p>Rail(Front)-1pc</p>	<p>21</p>  <p>Rail(Center)-1pc</p>
<p>22</p>  <p>Side Pane-1pc</p>	<p>23</p>  <p>Side Pane-1pc</p>	<p>24</p>  <p>Back Panels-2pcs</p>
<p>25</p>  <p>Top Pane-1pc</p>	<p>26</p>  <p>Bottom Pane-1pc</p>	<p>27</p>  <p>Pane-1pc</p>
<p>28</p>  <p>Wood Bar-1pc</p>	<p>29</p>  <p>Wood Bar-1pc</p>	<p>30</p>  <p>Remove Panels-2pcs</p>

Part List & Hardware List (Box 1-WF321790)

31



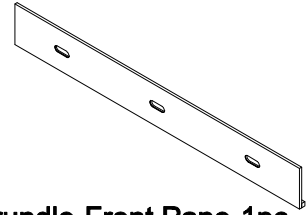
Pane-1pc

32



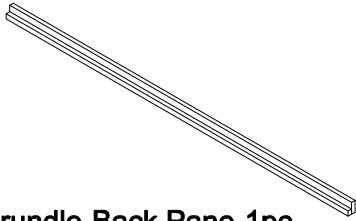
Pane-1pc

39



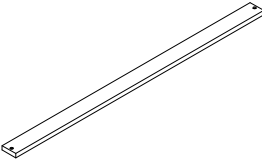
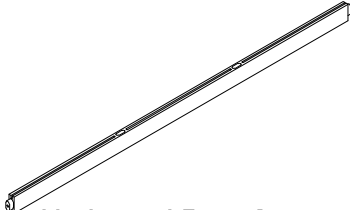
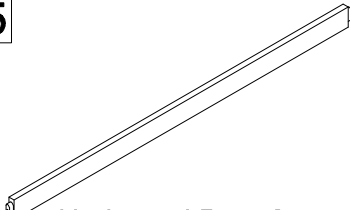

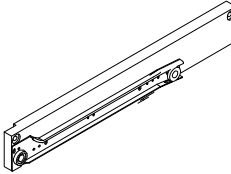
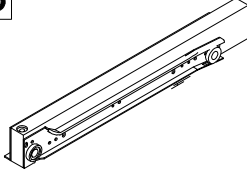
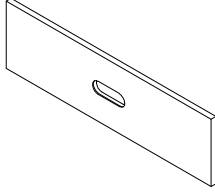
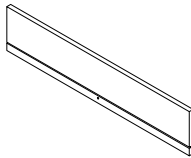
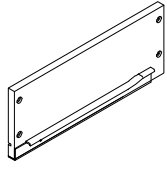
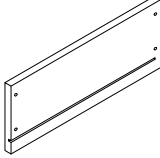
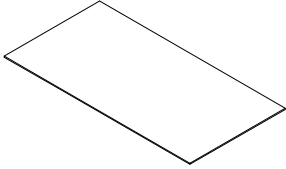
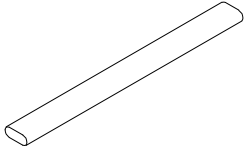
Trundle-Front Pane-1pc

40

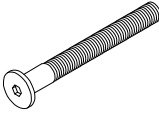


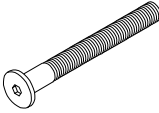
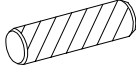
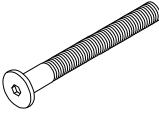


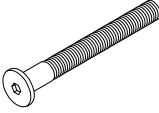
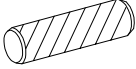

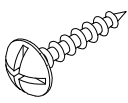
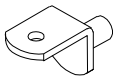
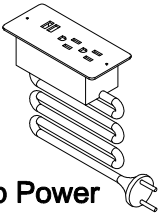

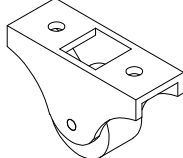
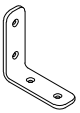



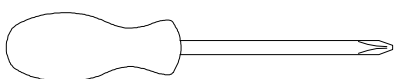
Trundle-Back Pane-1pc

Part List (Box 2-WF321791)

<p>1</p>  <p>Short Slats-17pcs</p>	<p>14</p>  <p>Horizontal Bars-2pcs</p>	<p>15</p>  <p>Horizontal Bars-2pcs</p>
<p>16</p>  <p>Rail-1pc</p>	<p>17</p>  <p>Rail-1pc</p>	<p>18</p>  <p>Rails-2pcs</p>
<p>33</p>  <p>Drawer-Front Panes-3pcs</p>	<p>34</p>  <p>Drawer-Back Panes-3pcs</p>	<p>35</p>  <p>Drawer-Side Panes-3pcs</p>
<p>36</p>  <p>Drawer-Side Panes-3pcs</p>	<p>37</p>  <p>Drawer-Bottom Panes-3pcs</p>	<p>38</p>  <p>Drawer-Sup Bottom Panes-3pcs</p>

Hardware List (Box 1-WF321790)

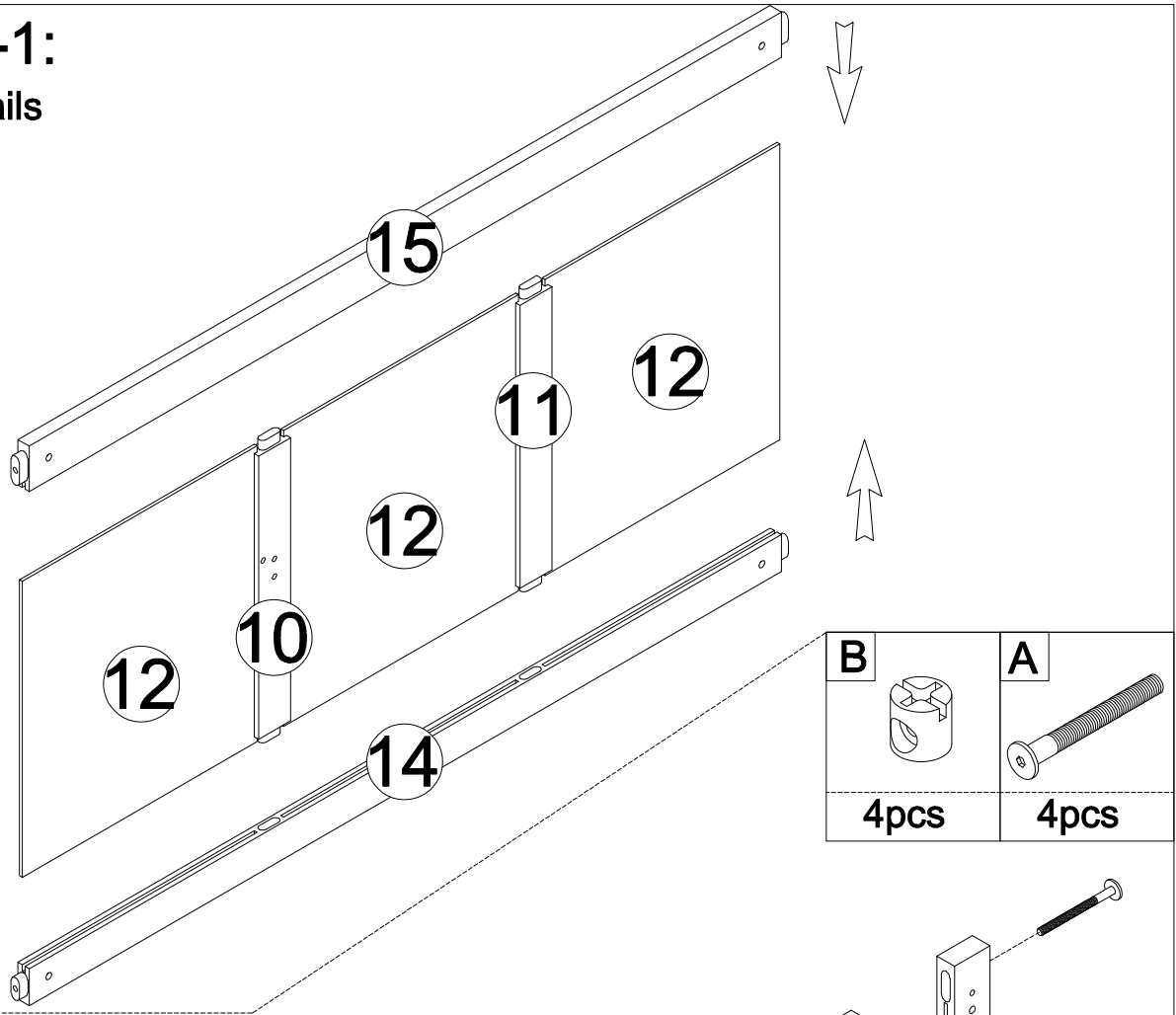
<p>A</p>  <p>Screws 1/4" x100 8pcs</p>	<p>B</p>  <p>Ø1/4" x 13 mm Horizontal-Hole bolts 34pcs</p>	<p>C</p>  <p>Ø1/4" x30 mm Hex-Head bolts 8pcs</p>
<p>D</p>  <p>Screws 1/4" x80 10pcs</p>	<p>E</p>  <p>Ø10 x 40 mm Wood dowel 6pcs</p>	<p>F</p>  <p>Screws 1/4" x70 6pcs</p>
<p>G</p>  <p>Screws 1/4" x50 4pcs</p>	<p>H</p>  <p>M4 x 30 mm Wood Screws 61pcs</p>	<p>K</p>  <p>Screws 1/4"x50 12pcs</p>
<p>L</p>  <p>Ø8 x 30 mm Wood dowel 4pcs</p>	<p>M</p>  <p>Screws 1/4" x40 11pcs</p>	<p>N</p>  <p>M4 x 15 mm Wood Screws 42pcs</p>
<p>P</p>  <p>Dowel Remove Shelves 8pcs</p>	<p>Q</p>  <p>USB Power 1Pc</p>	<p>R</p>  <p>M3.5 x 12 mm Wood Screws 2pcs</p>
<p>S</p>  <p>Wheels(55x20x40H) 4pcs</p>	<p>T</p>  <p>Steel Bracket 3pcs</p>	<p>V</p>  <p>Allen Key 1pc</p>



Assembly Tools Required (Not Included)

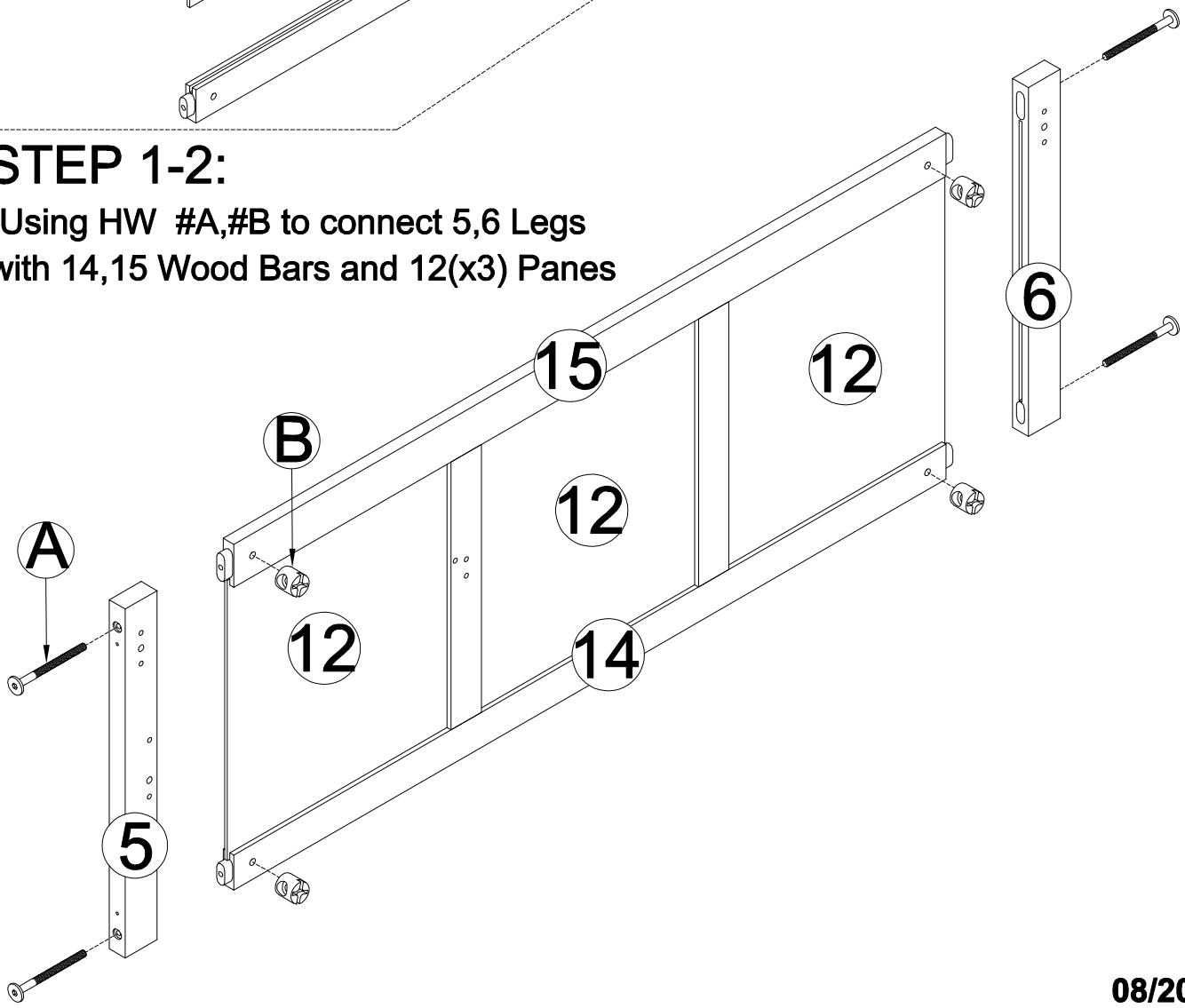
STEP 1-1:

-Fix the details



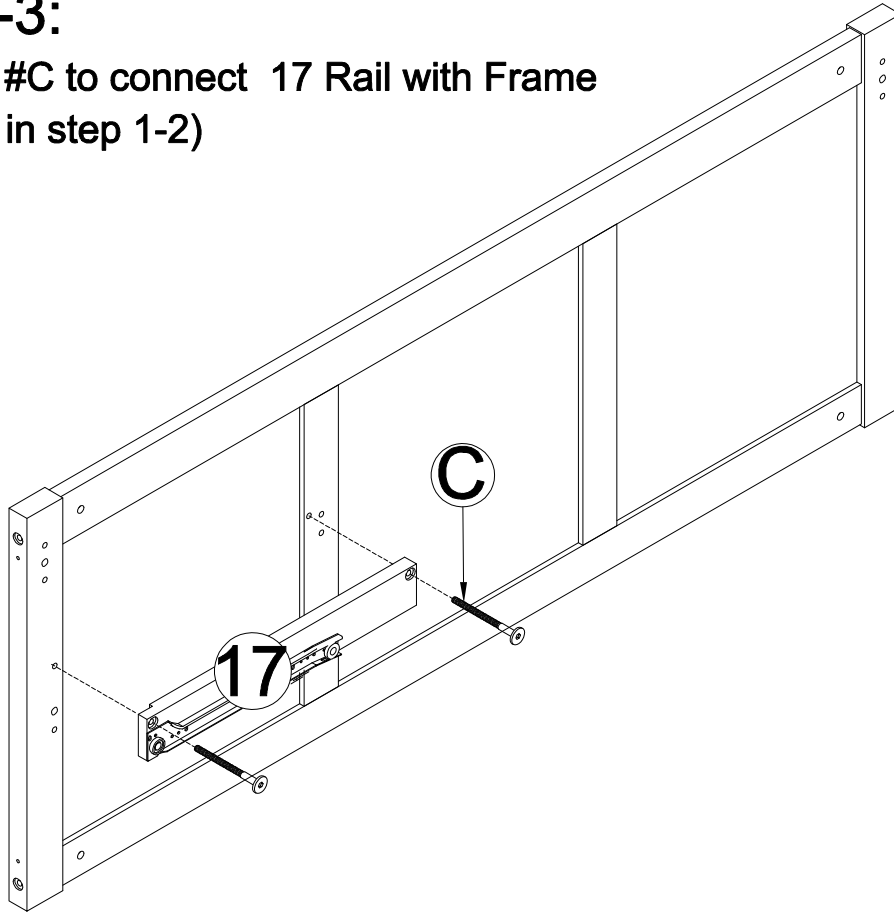
STEP 1-2:

-Using HW #A,#B to connect 5,6 Legs with 14,15 Wood Bars and 12(x3) Panes



STEP 1-3:

-Using HW #C to connect 17 Rail with Frame
(Completed in step 1-2)



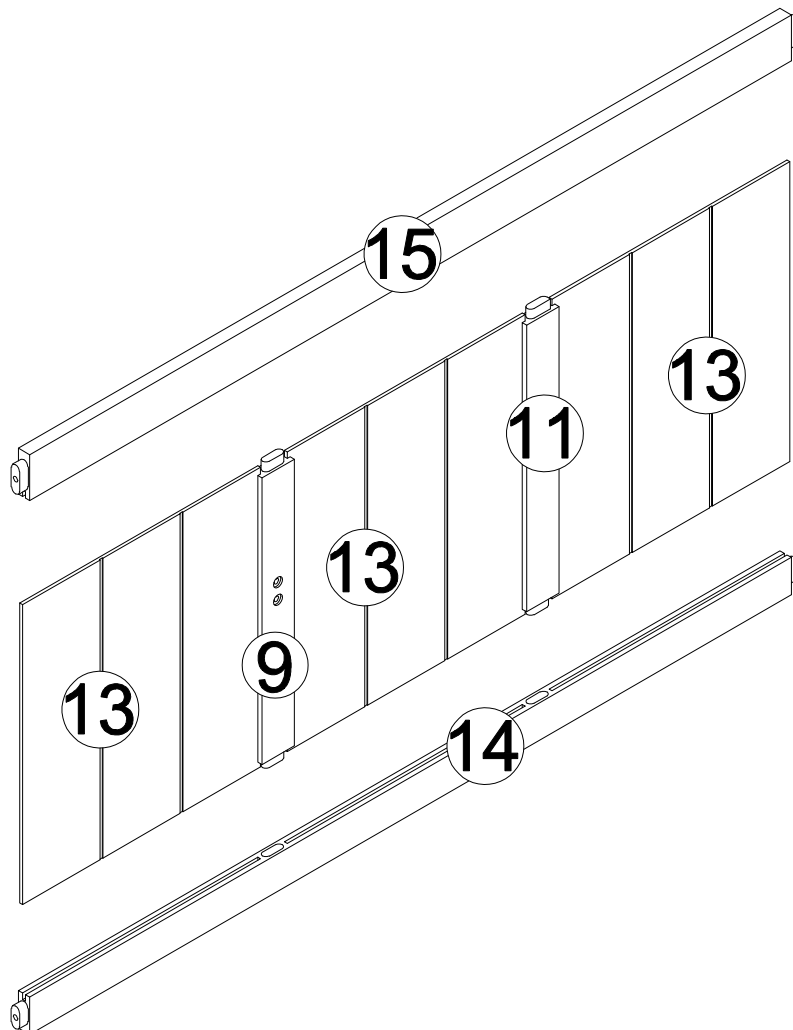
C



2pcs

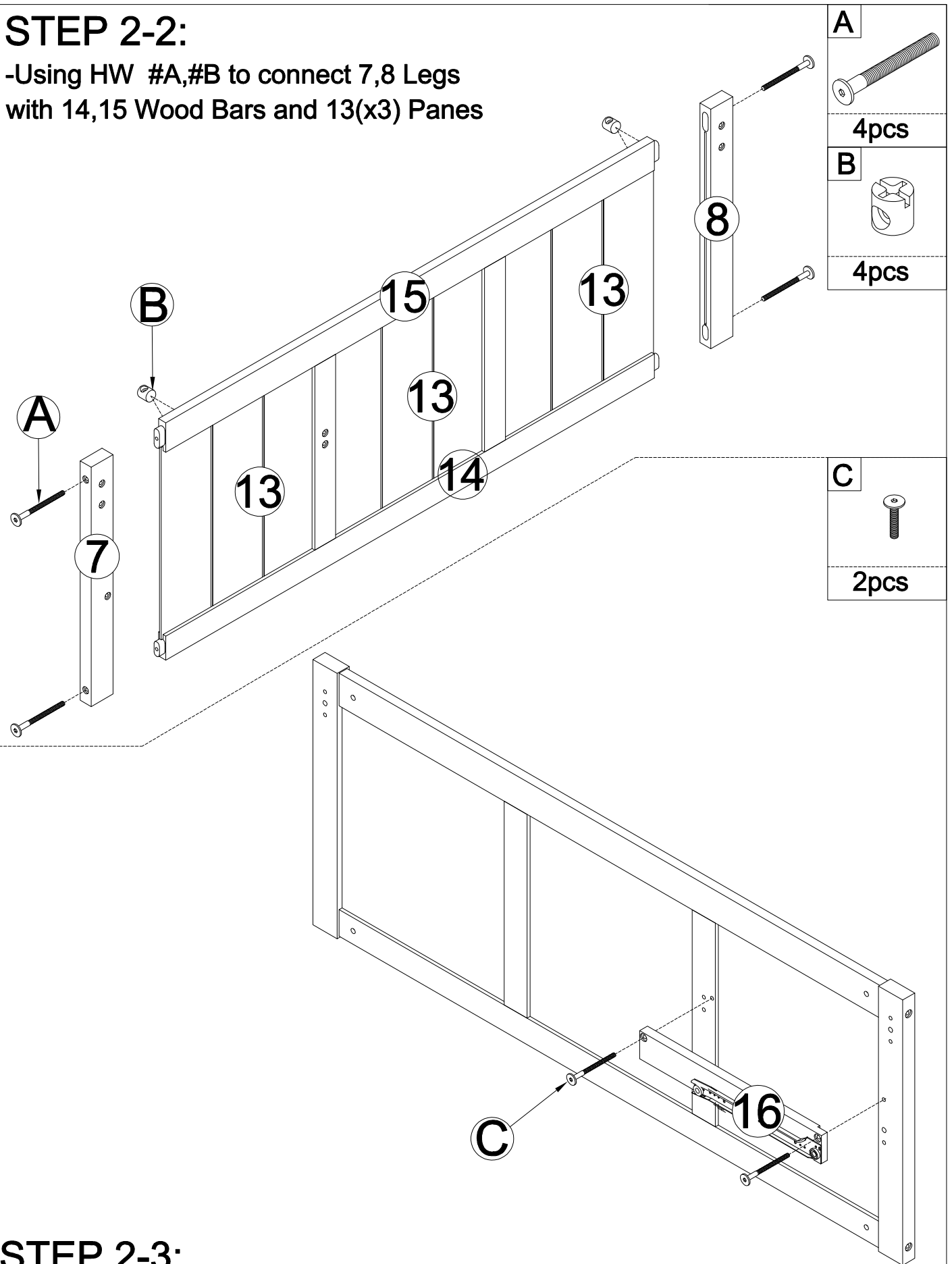
STEP 2-1:

-Fix the details



STEP 2-2:

-Using HW #A,#B to connect 7,8 Legs with 14,15 Wood Bars and 13(x3) Panes

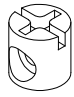
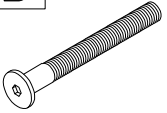
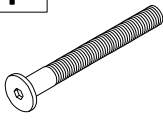



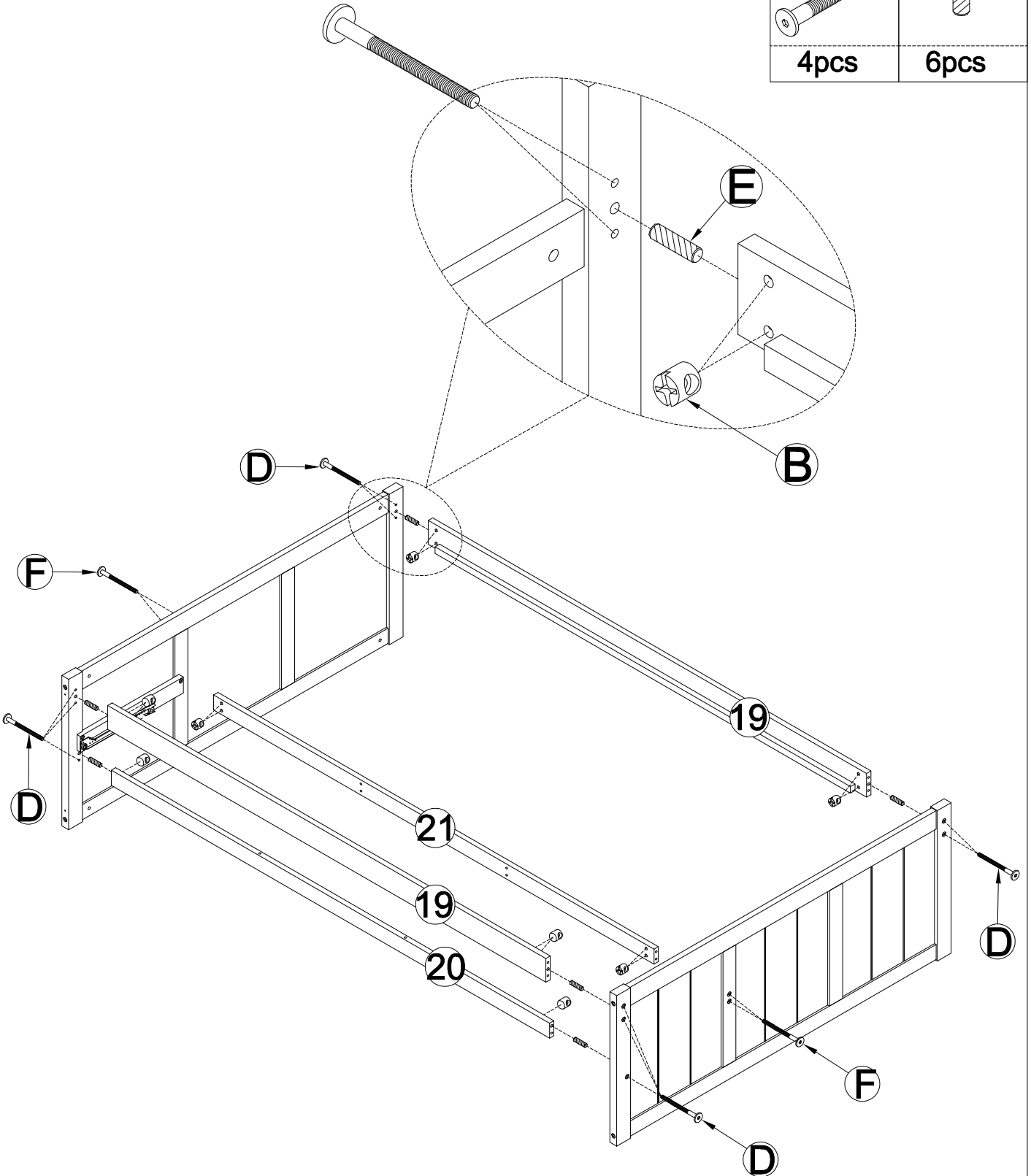
STEP 2-3:

-Using HW #C to connect 16 Rail with Frame
(Completed in step 2-2)

STEP 3:

-Using HW #B,#D,#F and dowel #E to Connect
Frames(completed in step 1-3,step 2-3)
with Side rail 19(x2) and 20,21 Rails
Look at detail view for more detail

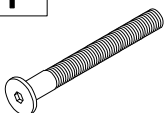

B 	D 
14pcs	10pcs
F 	E 
4pcs	6pcs

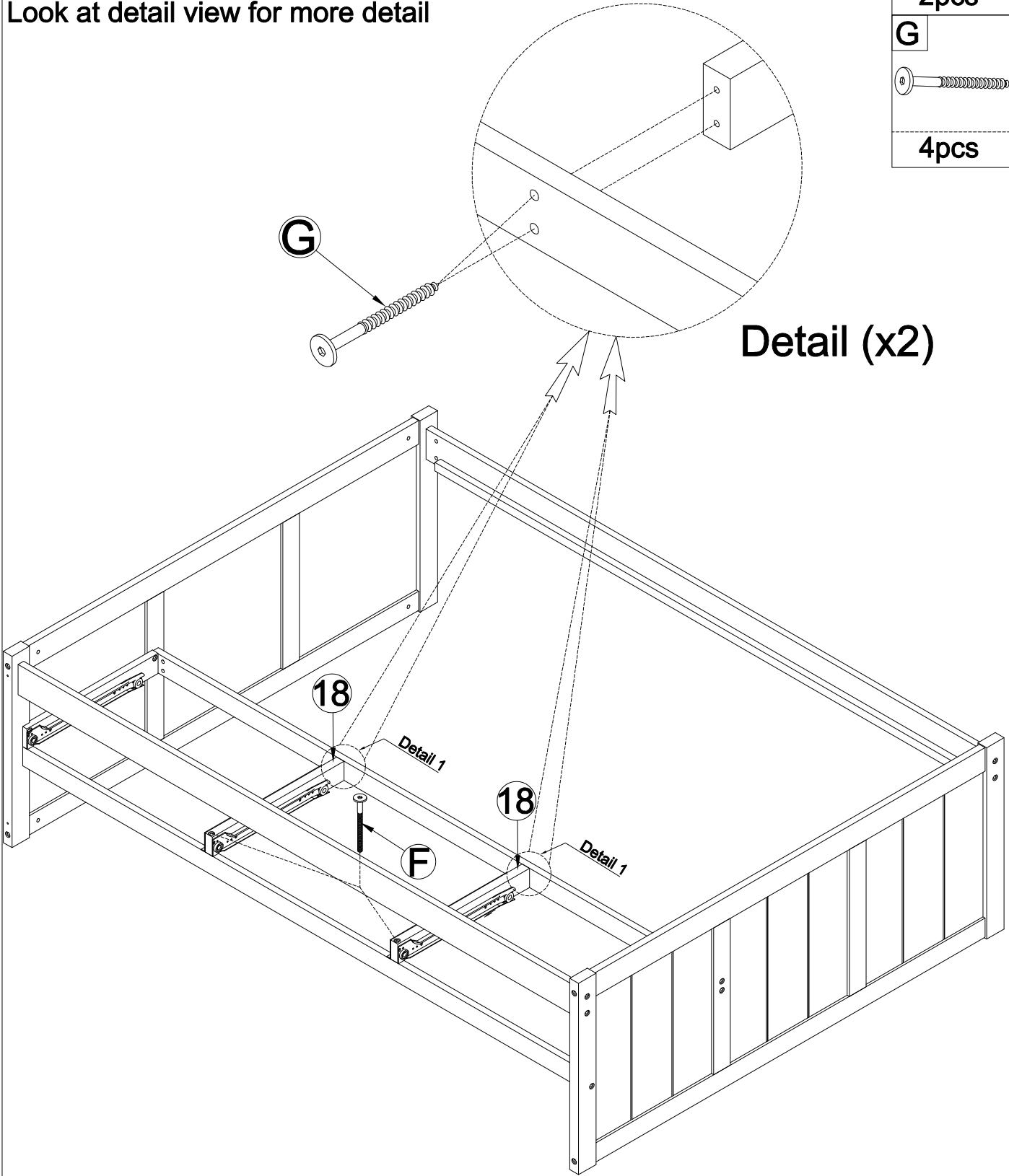


STEP 4:

-Using HW #F,#G to Connect Frame(completed in step 3)
with 18(x2) Rails


Look at detail view for more detail

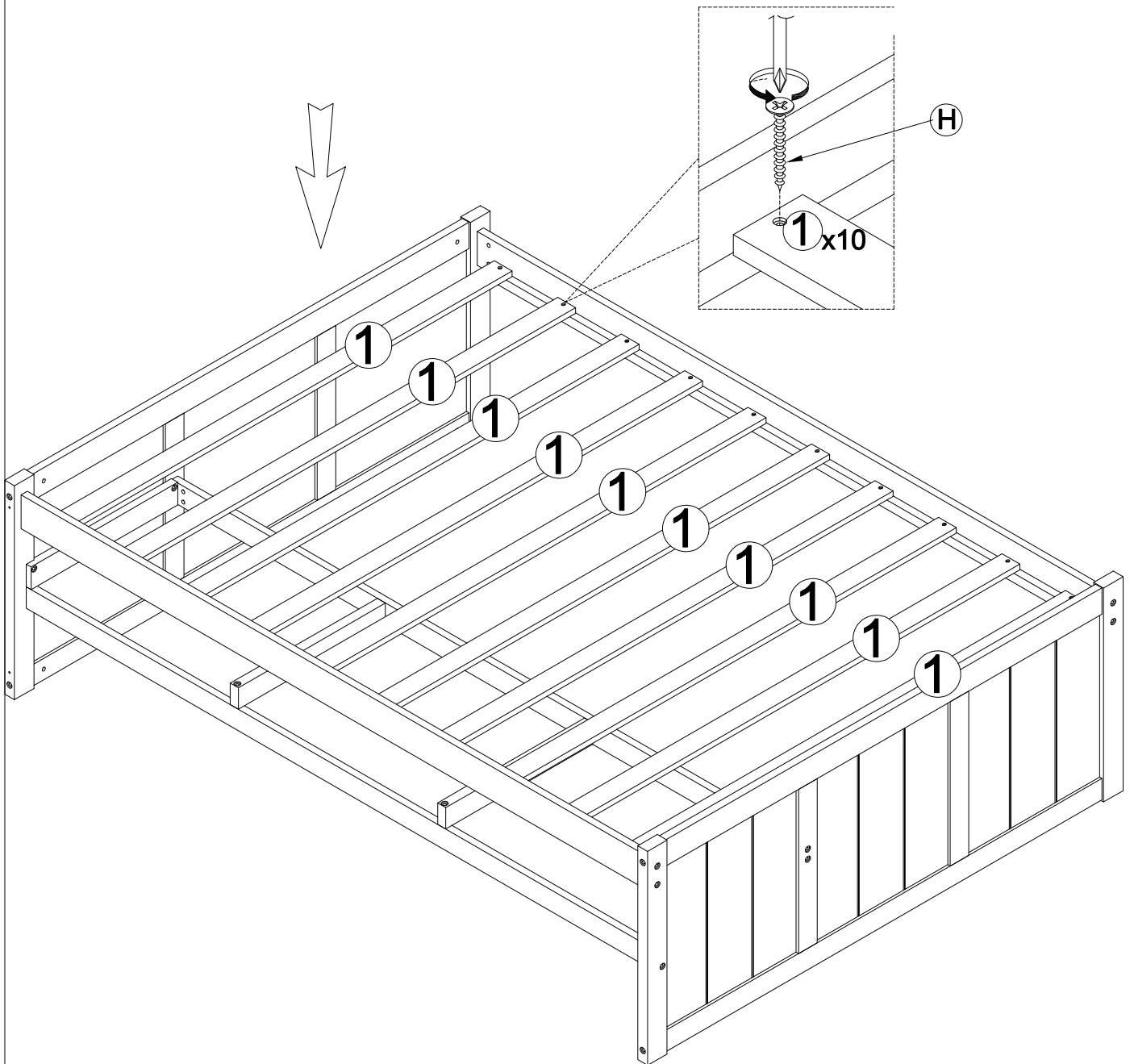
F	
	2pcs
G	
	4pcs



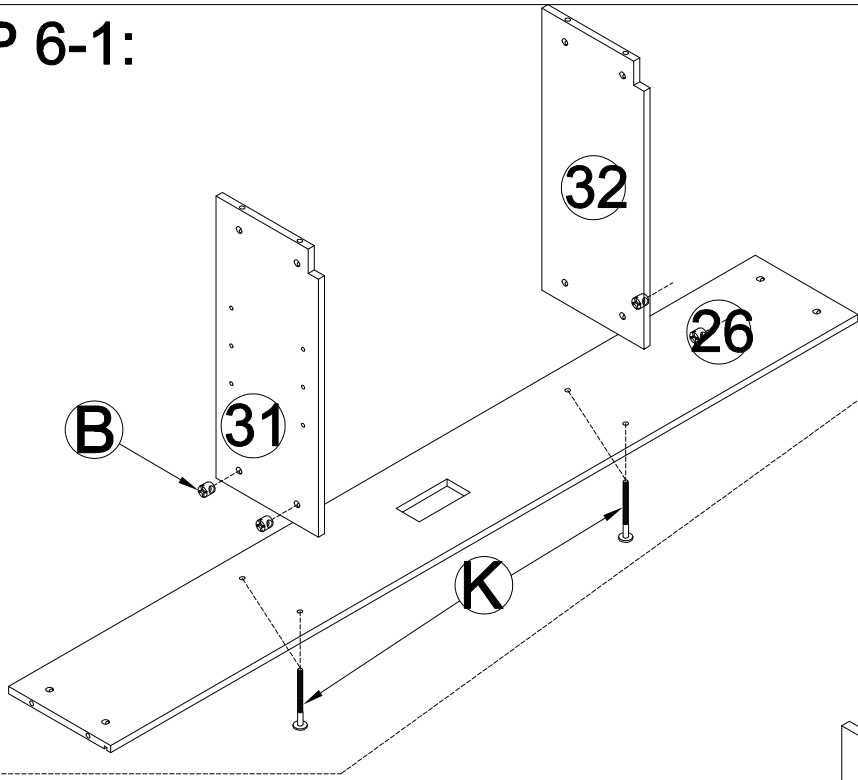
STEP 5:


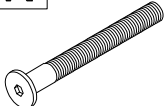
Look at detail view for more detail


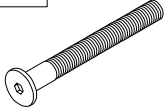
H	
20pcs	




STEP 6-1:

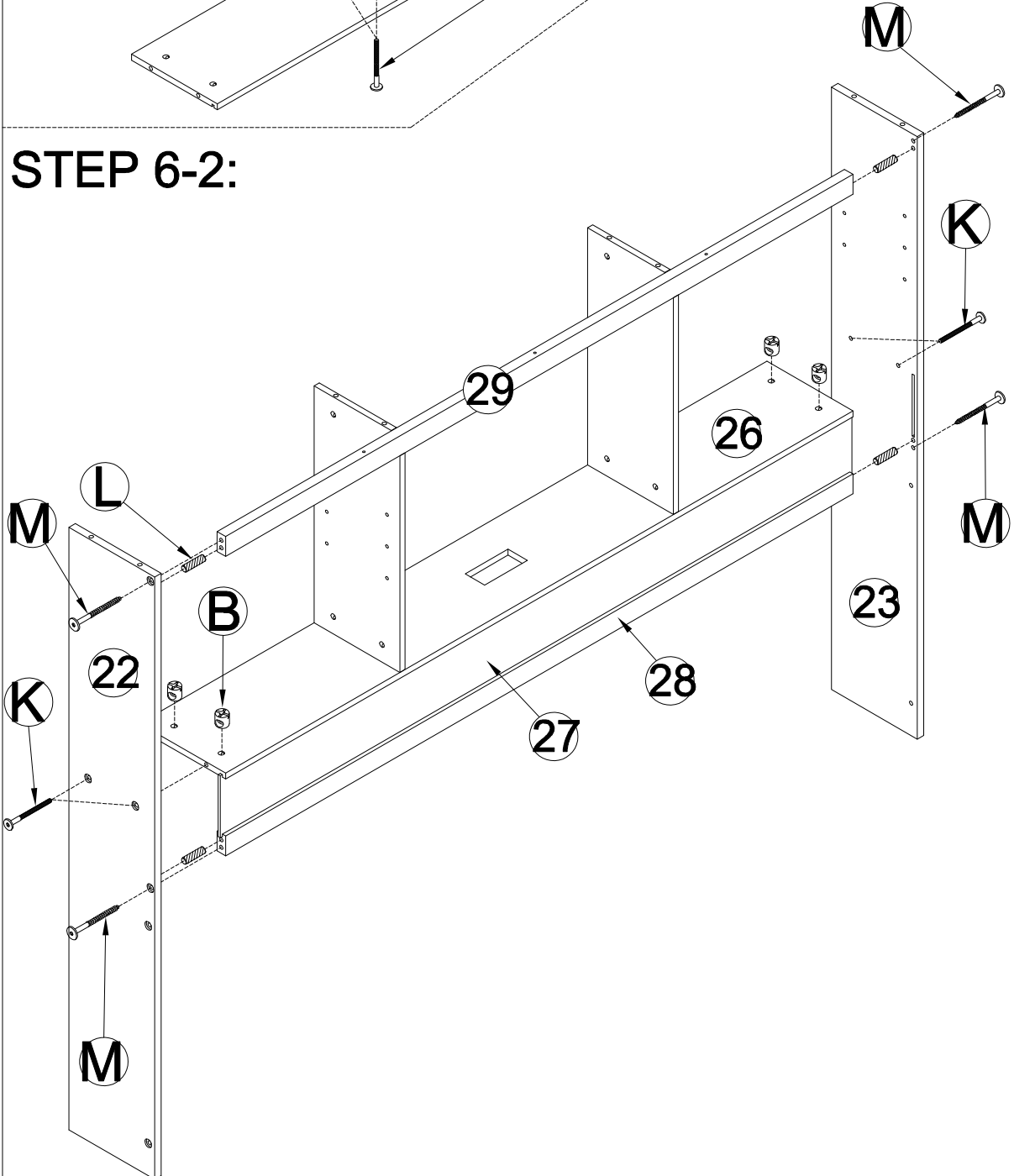



B		K	
4pcs		4pcs	

B		K	
4pcs		4pcs	

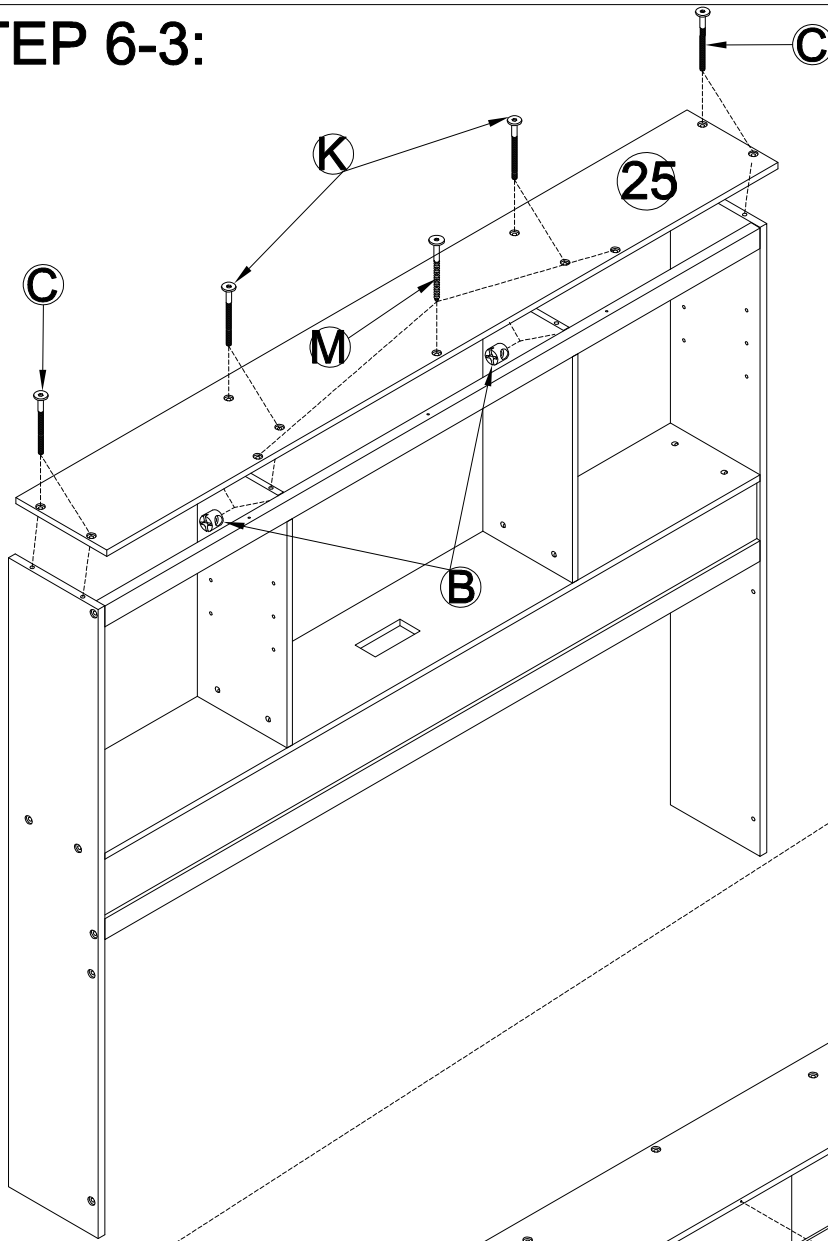
L	
4pcs	

STEP 6-2:



M	
4pcs	

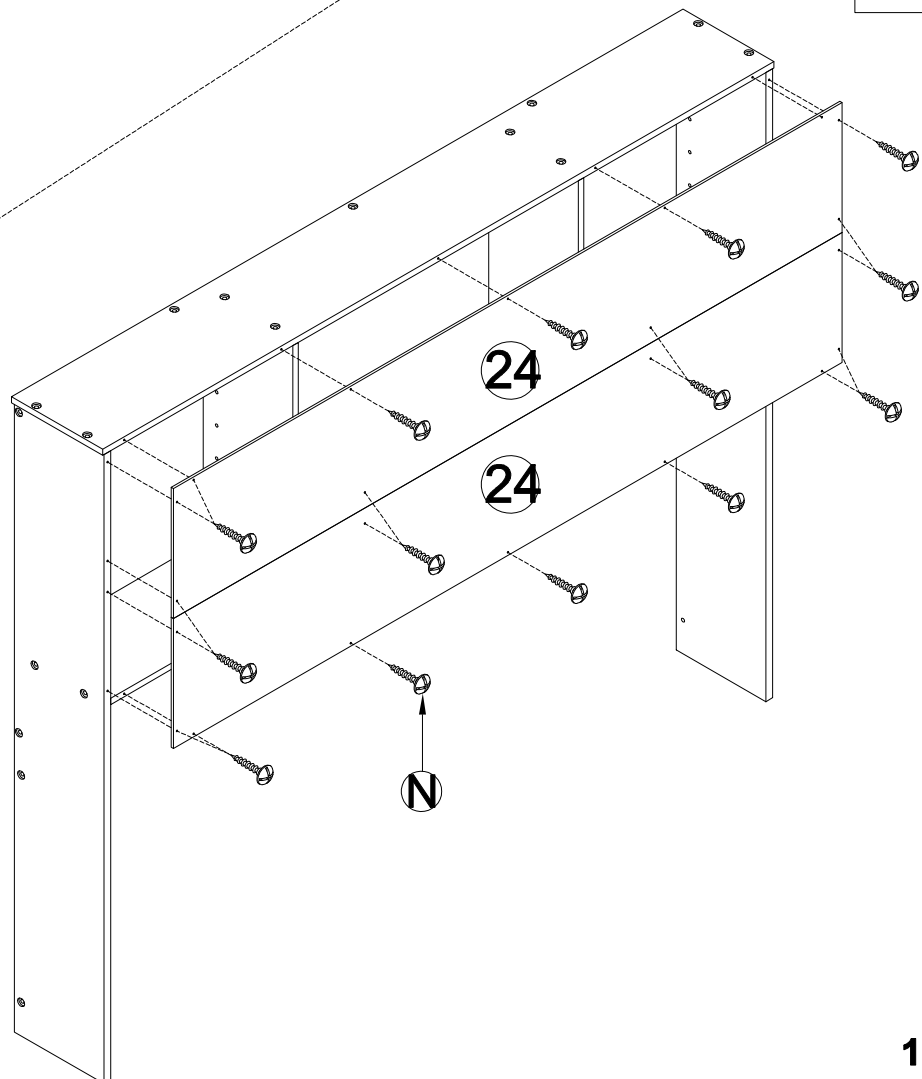
STEP 6-3:



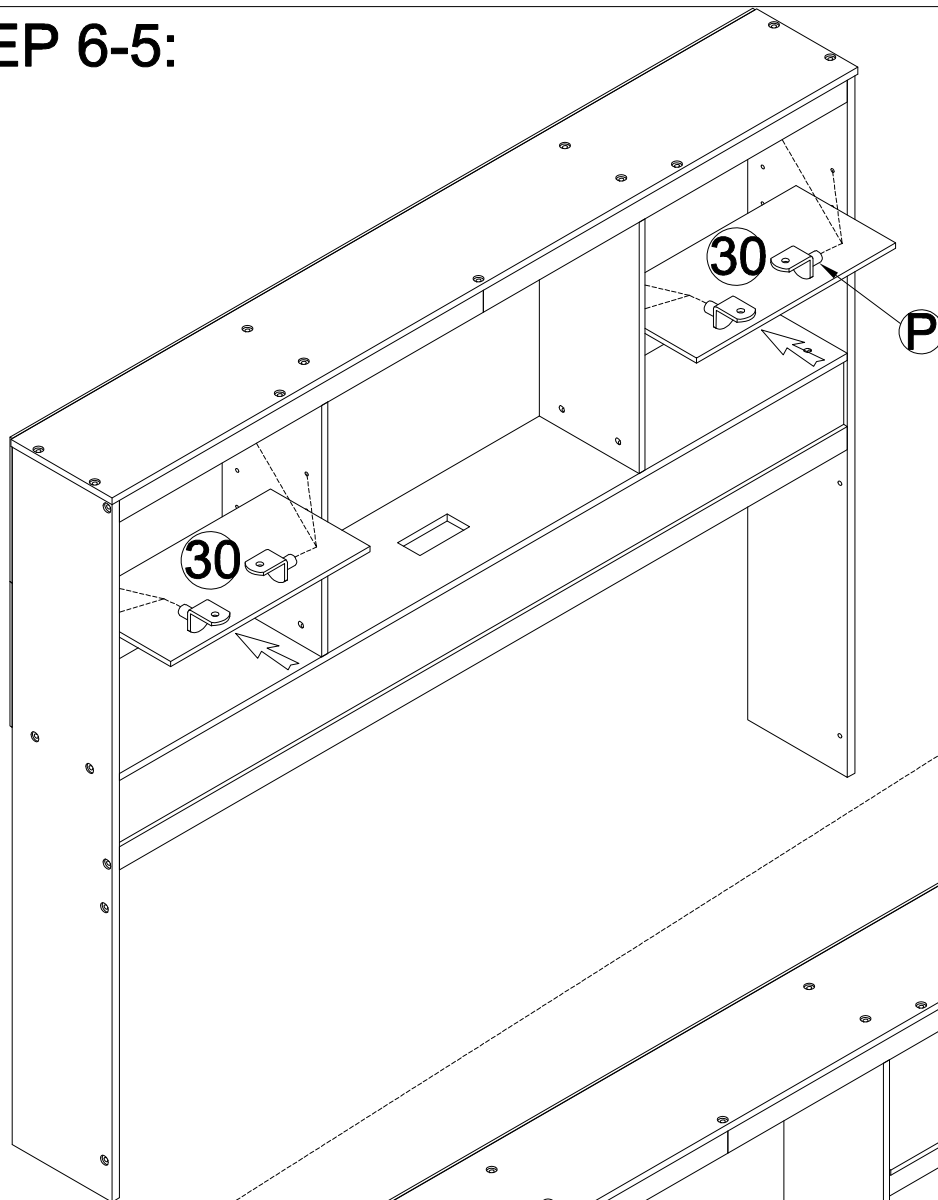
B		K	
	4pcs		4pcs
M		C	
	3pcs		4pcs

N	
	22pcs

STEP 6-4:



STEP 6-5:

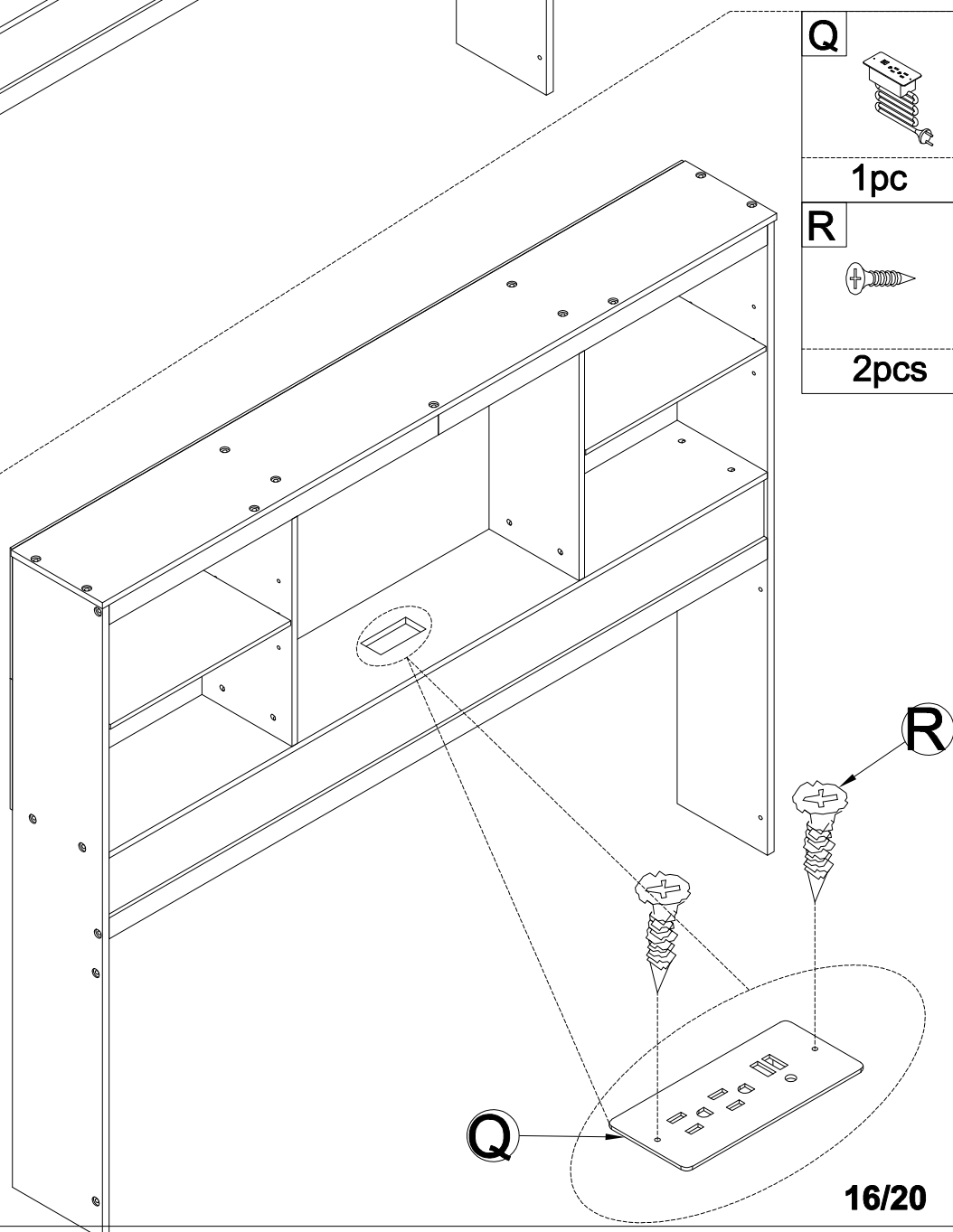


P

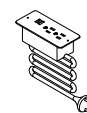


8pcs

STEP 6-6:



Q



1pc

R



2pcs

STEP 7:

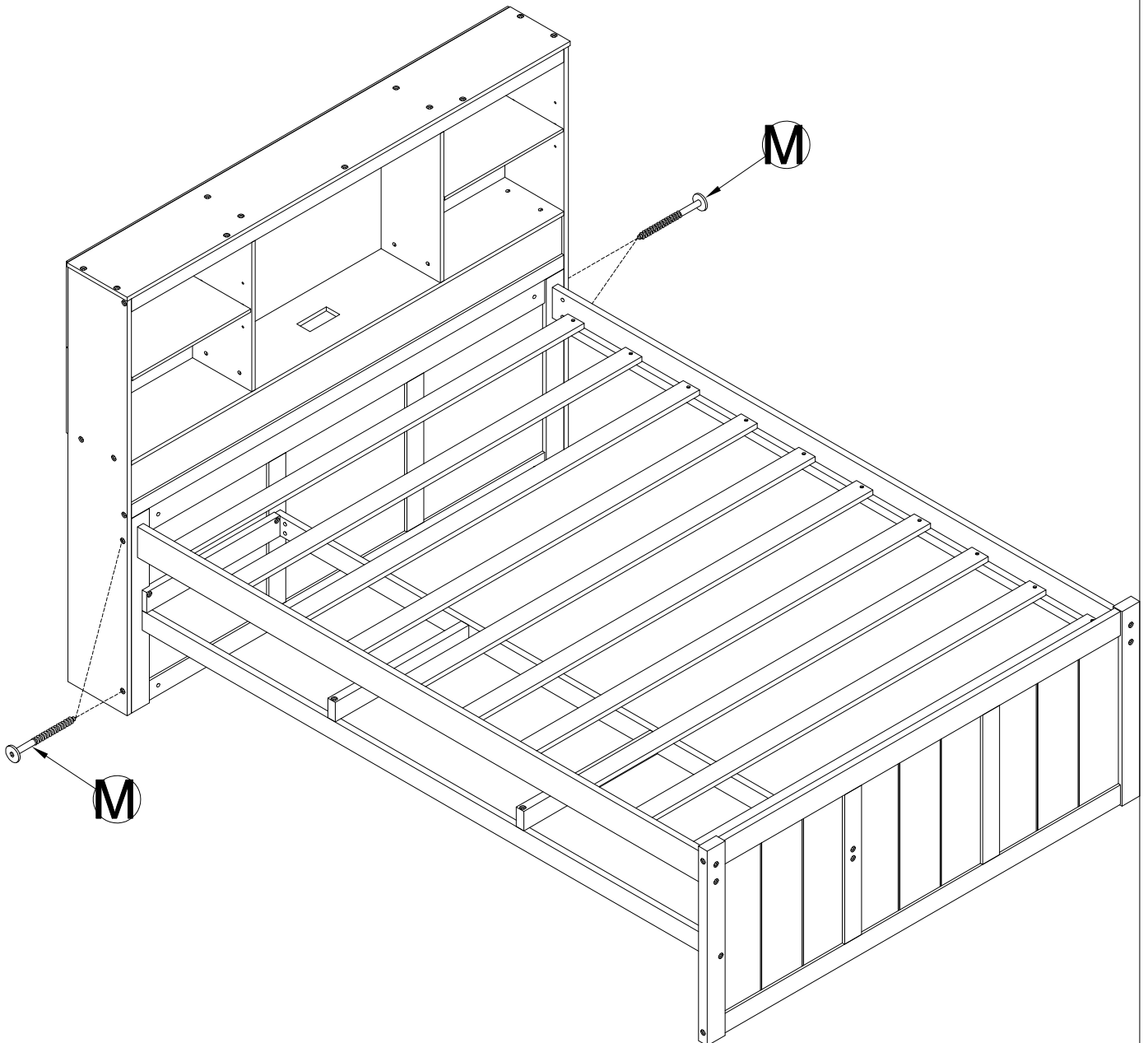
Using HW #M to Connect Frame(completed in step 6-6) with
Frame(completed in step 5)

Look at detail view for more detail

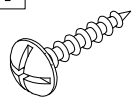
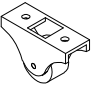
M

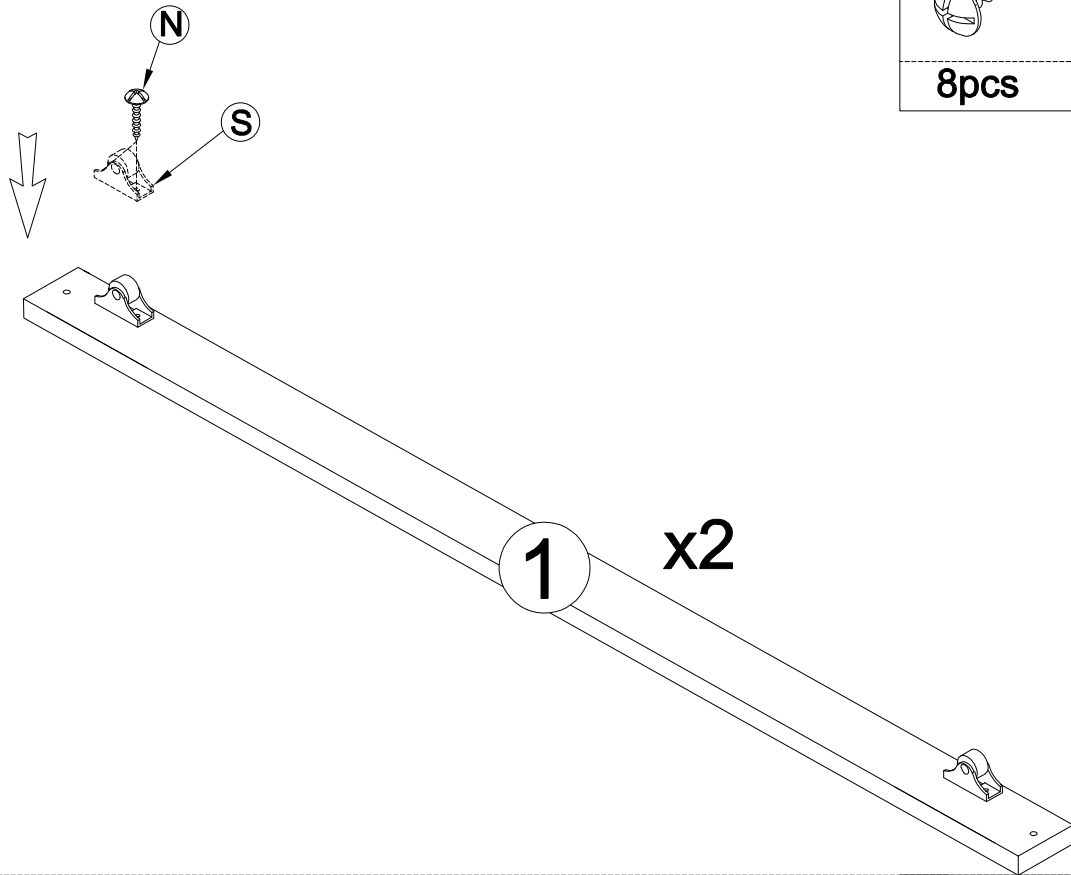


4pcs

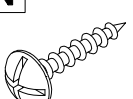

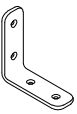


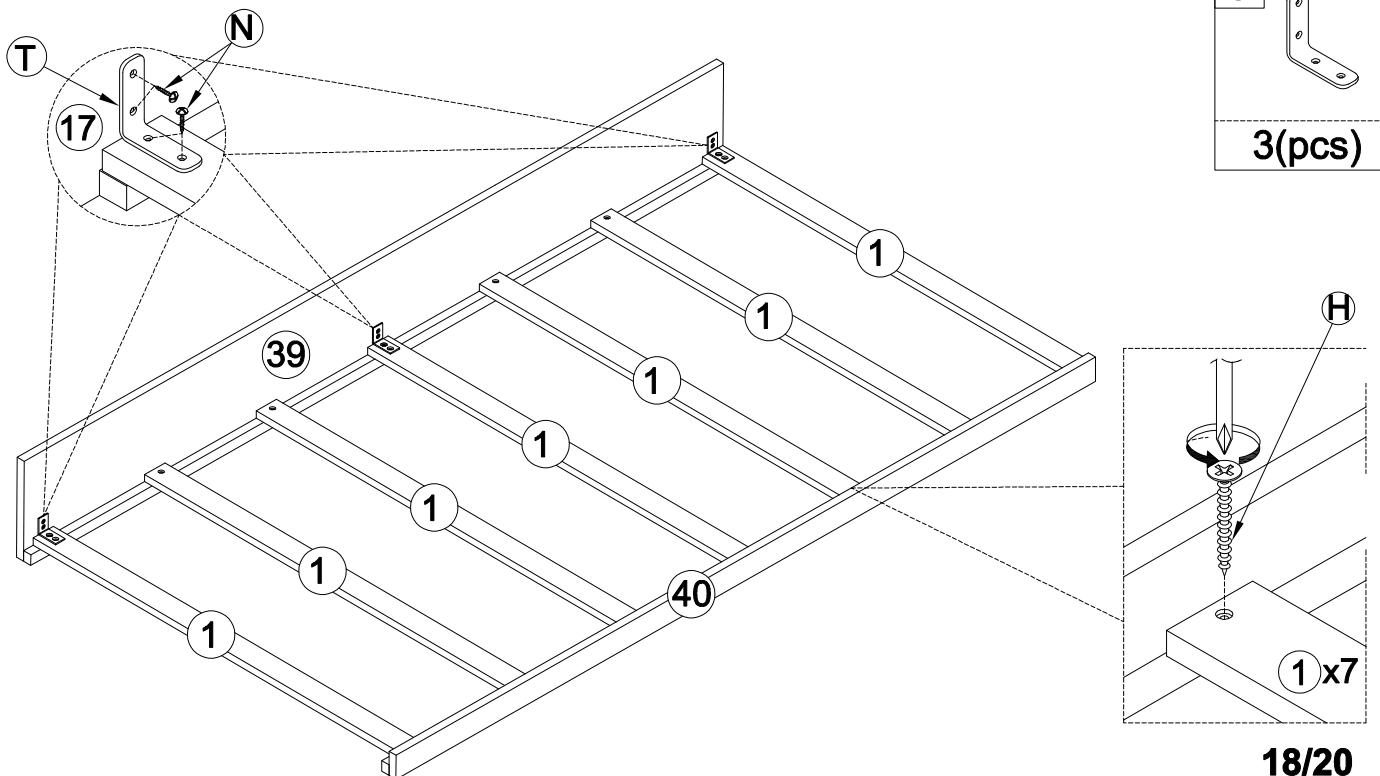
STEP 8-1:

N		S	
	8pcs		4pcs

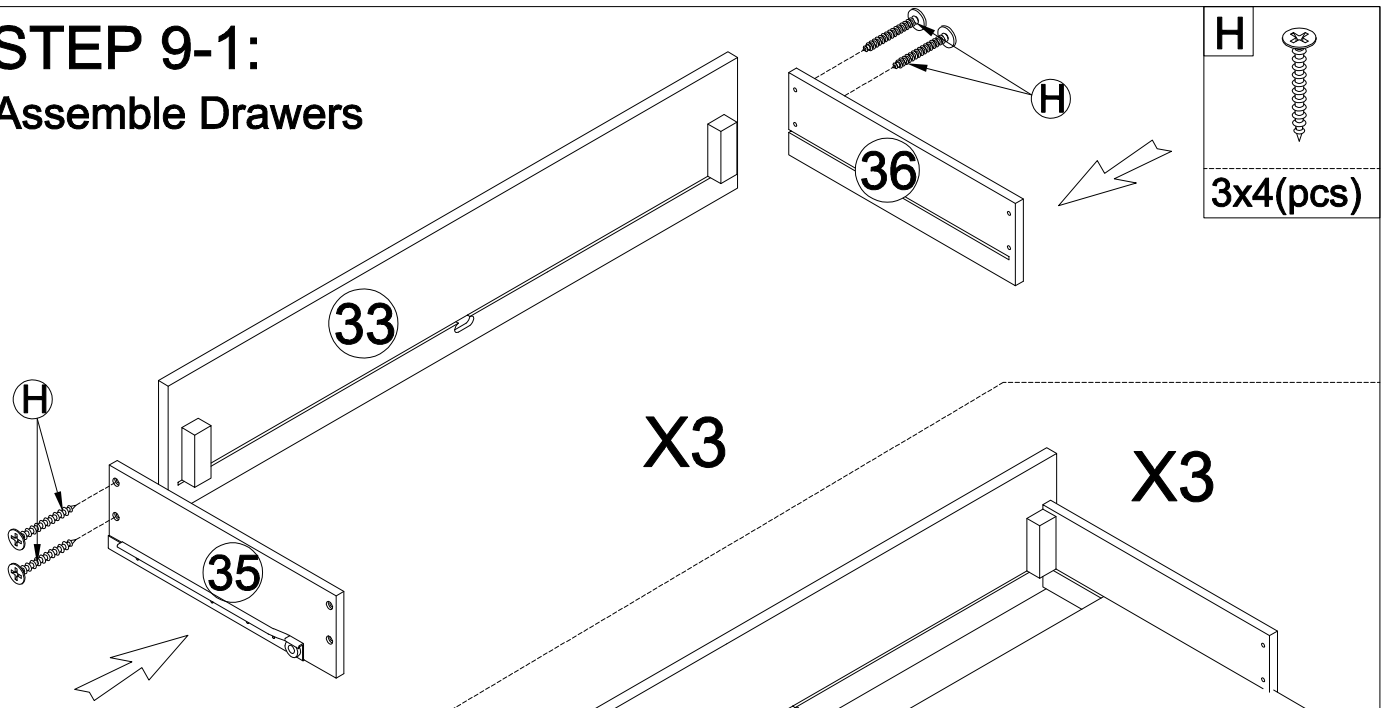


STEP 8-2:

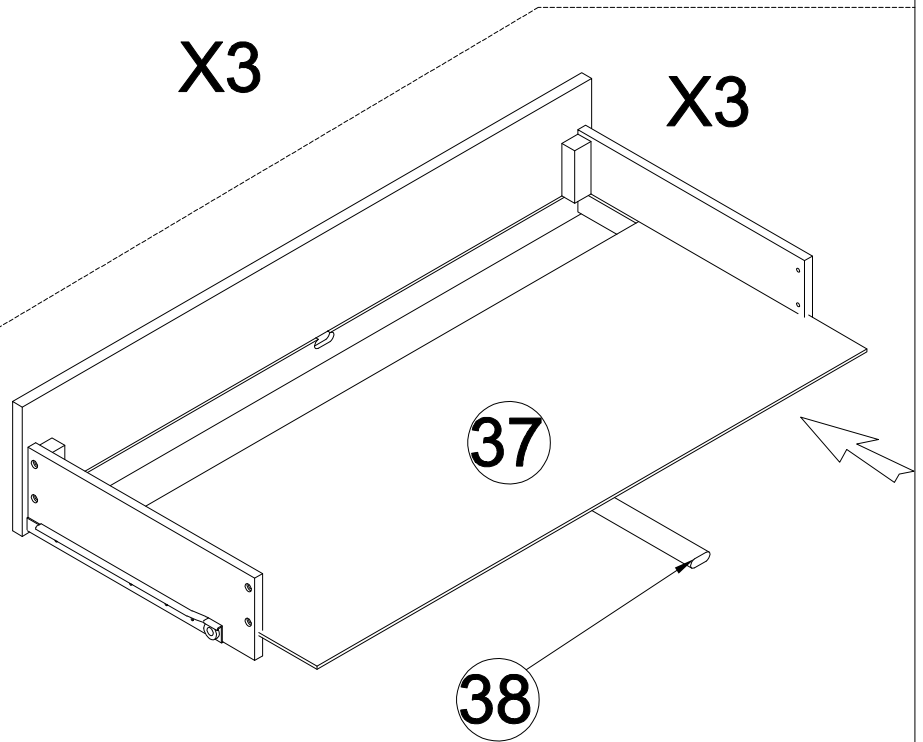
N		H	
	12(pcs)		14(pcs)
		T	
			3(pcs)



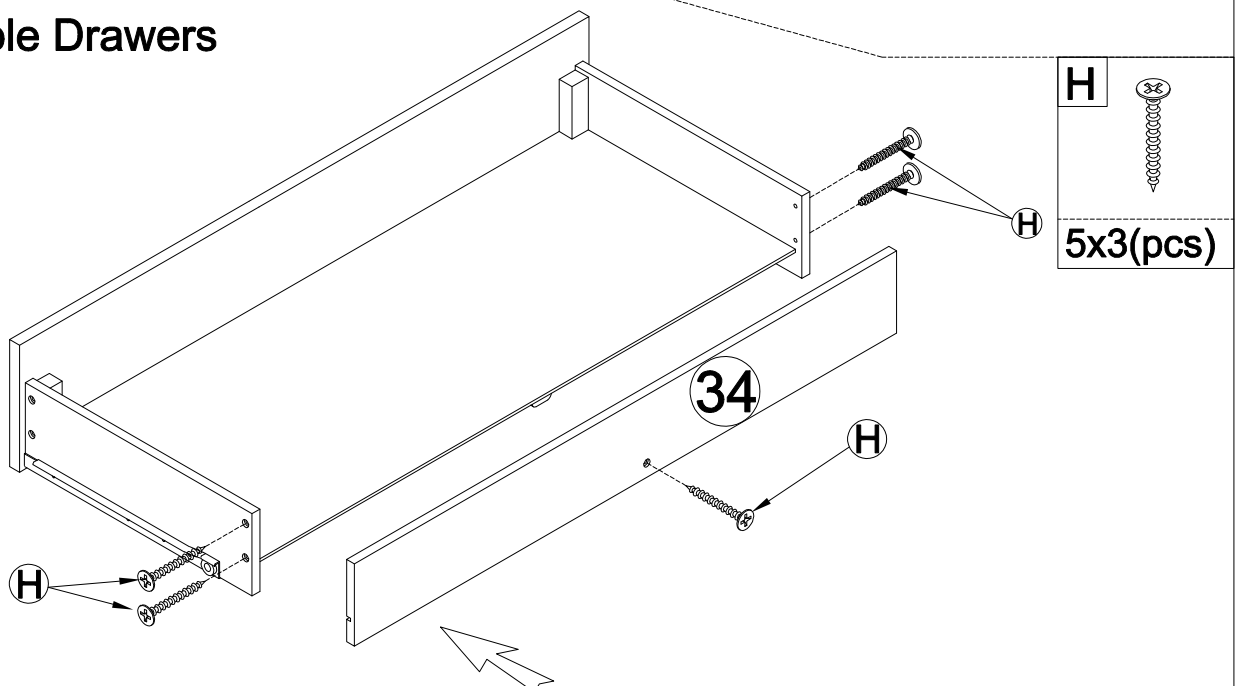
STEP 9-1: Assemble Drawers



STEP 9-2: Assemble Drawers



STEP 9-3: Assemble Drawers



CONGRATULATION. YOU HAVE COMPLETED THE BED
Push 3 Drawers and Trundle into position

