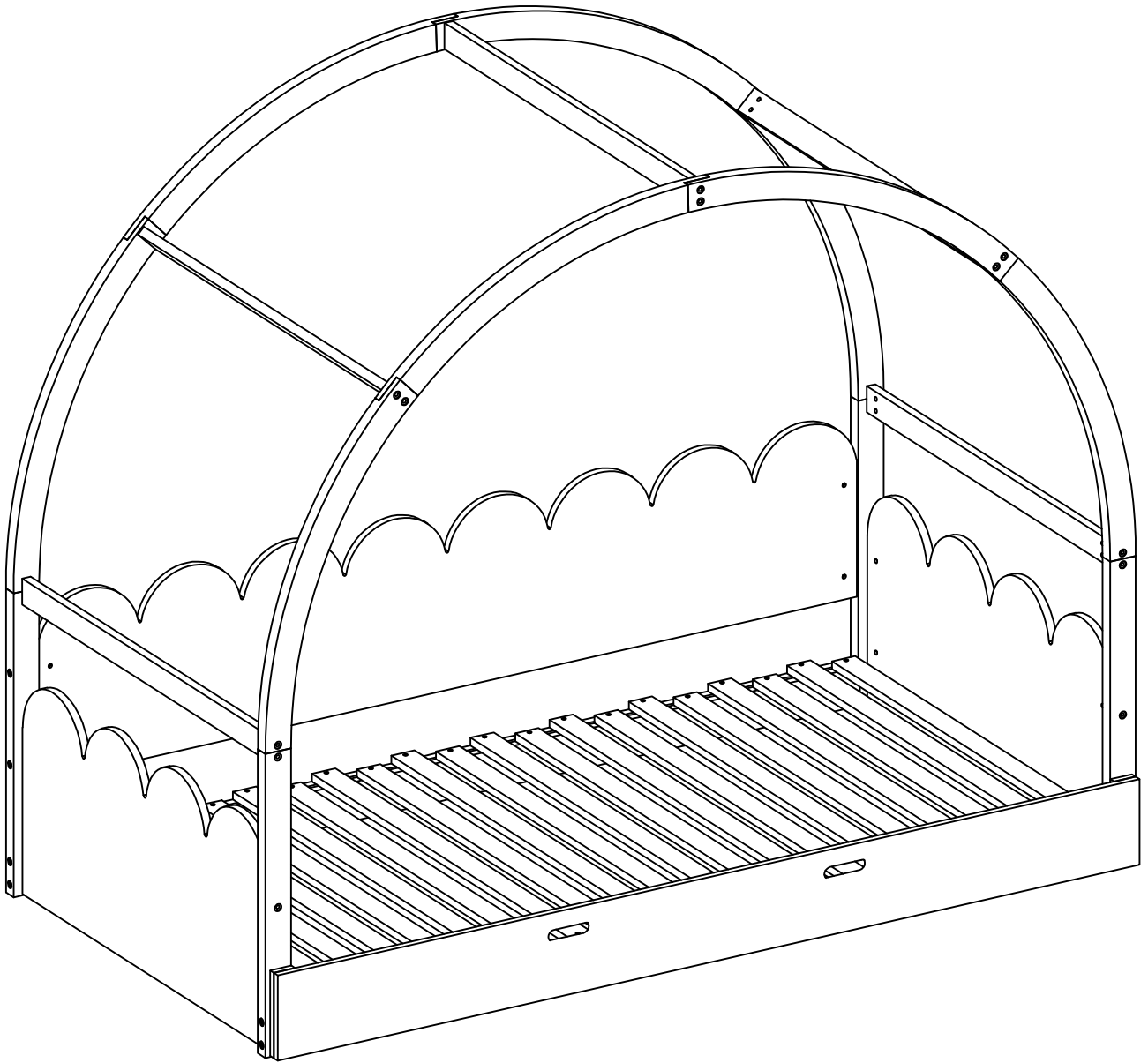
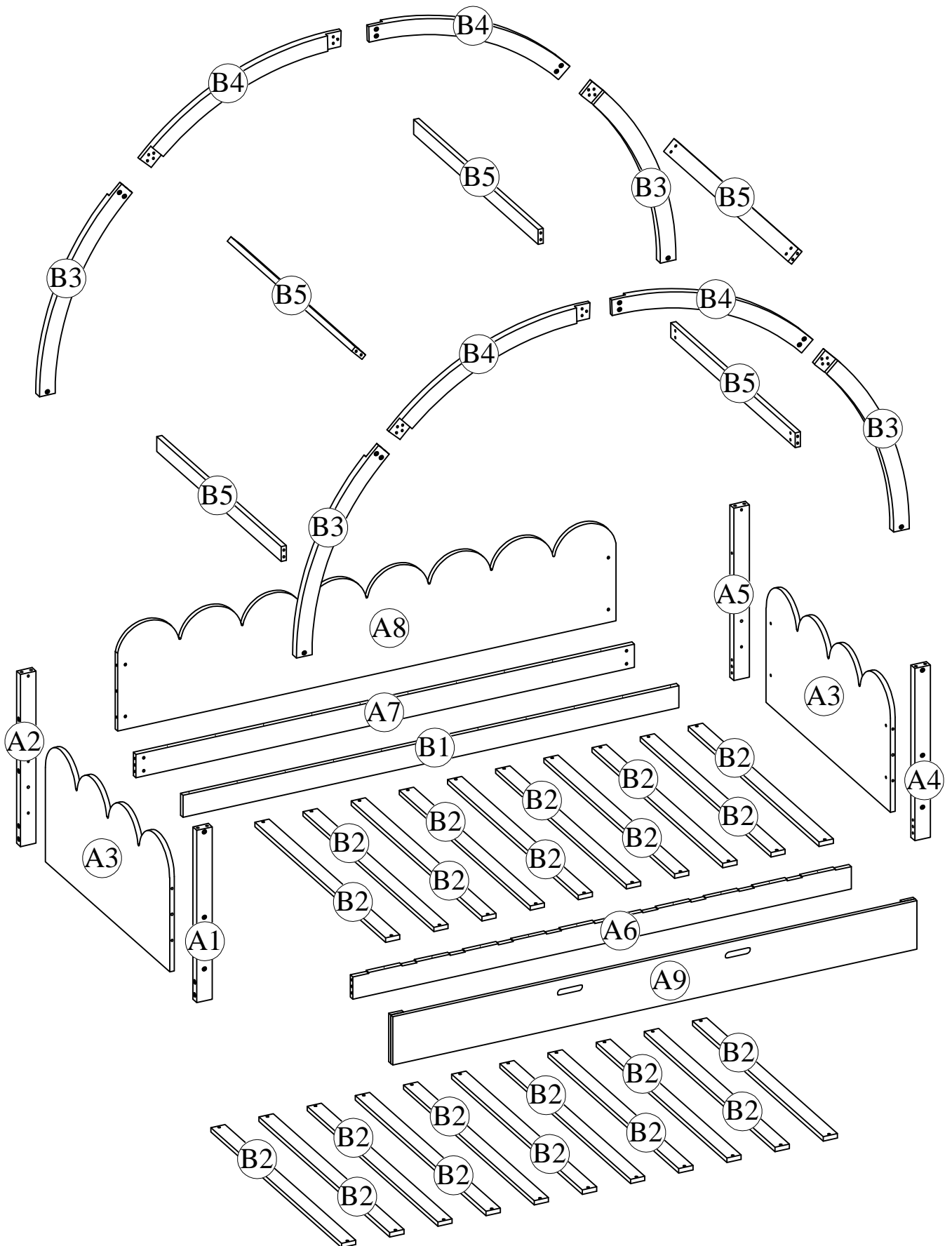


ASSEMBLY INSTRUCTION

SKU CODE: (WF319566-WF319567)



ASSEMBLY INSTRUCTION



Part List & Hardware List (Box 1-WF319566)

A1



Woodbar-1pc

A2



Woodbar-1pc

A4



Woodbar-1pc

A5



Woodbar-1pc

A6



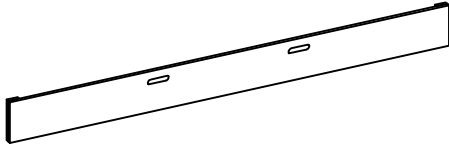
Sidepanel-1pc

A7



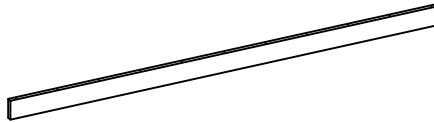
Sidepanel-1pc

A9



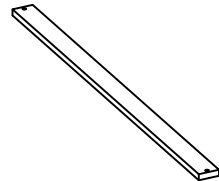
Woodframe-1pc

B1



Panel-1pc

B2



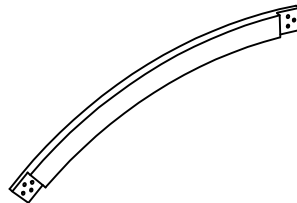
Slat-21pcs

B3



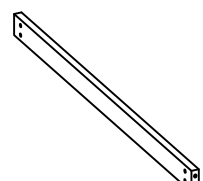
Woodbar-4pcs

B4



Woodbar-4pcs

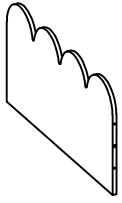
B5



Woodbar-5pcs

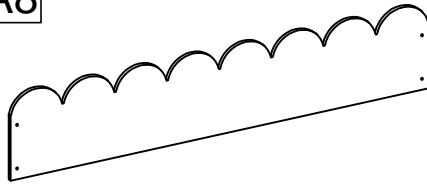
Part List (Box 2-WF319567)

A3



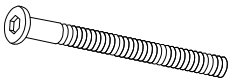

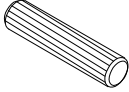
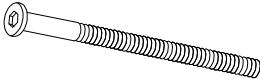
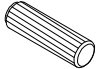
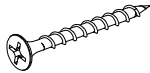
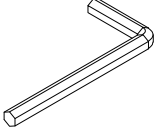
Panel-2pcs

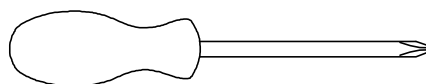
A8



Panel-1pc

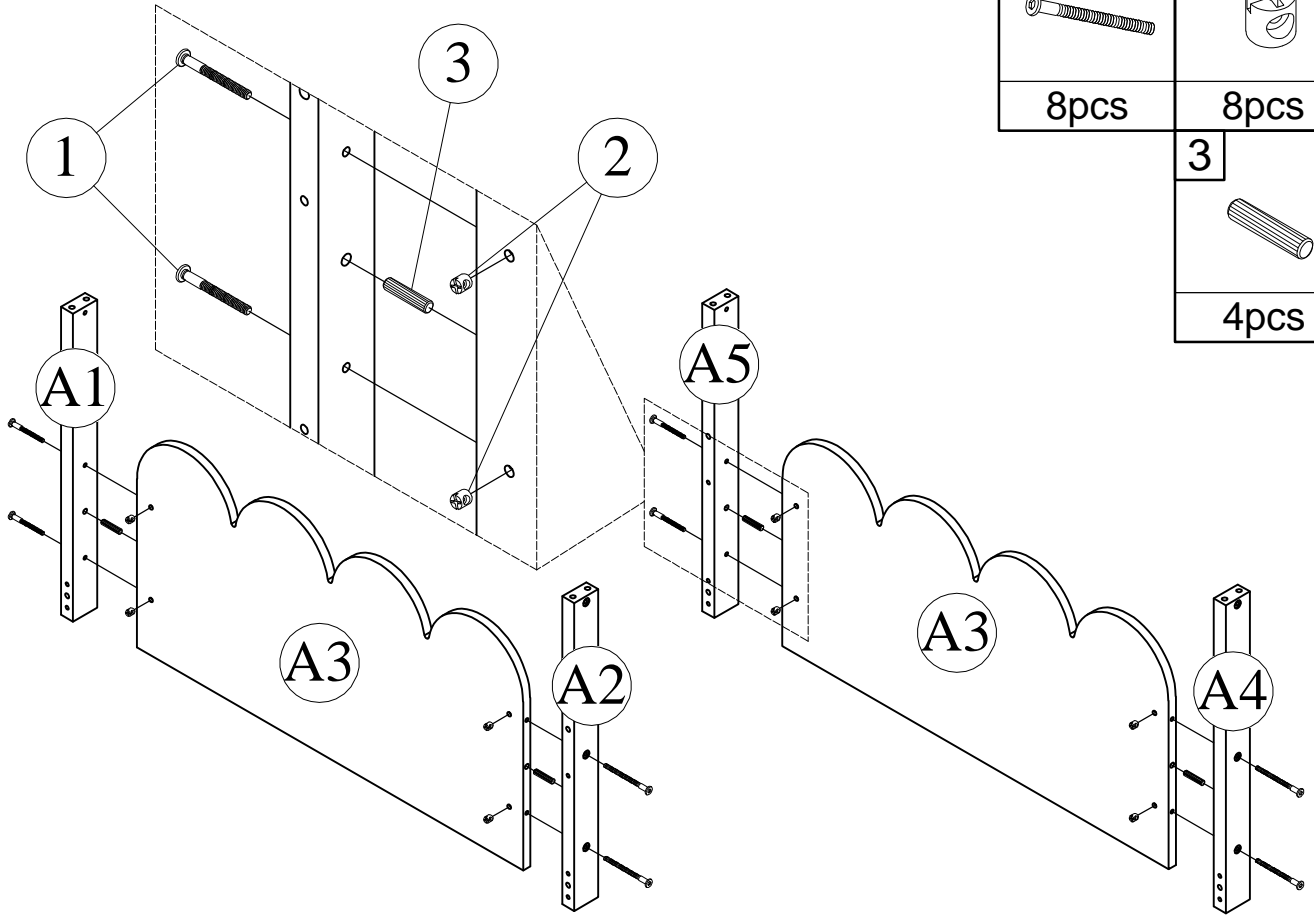
Hardware List (Box 1-WF319566)



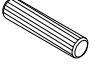
| | | |
|---|---|--|
| <p>1</p>  <p>Ø1/4" x 70 mm Hex-Head bolts 28pcs</p> | <p>2</p>  <p>Ø1/4" x 12 mm Horizontal-Hole bolts 40pcs</p> | <p>3</p>  <p>Ø10 x 40 mm Wood dowel 18pcs</p> |
| <p>4</p>  <p>Ø1/4" x 100 mm Hex-Head bolts 12pcs</p> | <p>5</p>  <p>Ø8 x 20 mm Wood dowel 12pcs</p> | <p>6</p>  <p>M4 x 30 mm Wood Screws 42pcs</p> |
| <p>7</p>  <p>Allen Key 1pc</p> | | |



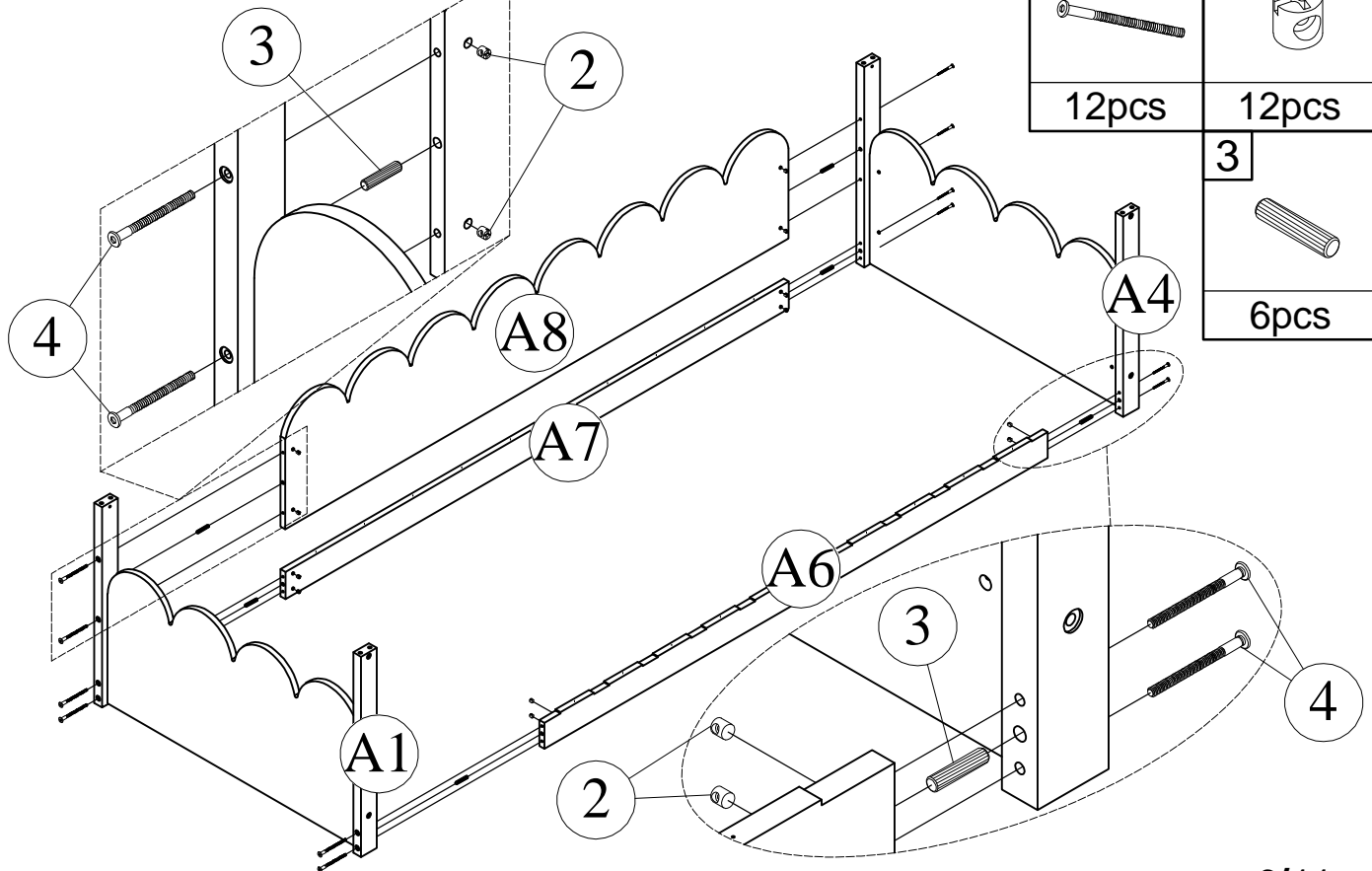
Assembly Tools Required (Not Included)



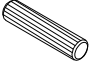
STEP1: Following below illustration.





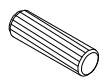
| | |
|---|---|
| 1 | 2 |
|  |  |
| 8pcs | 8pcs |
| | 3 |
| |  |
| | 4pcs |

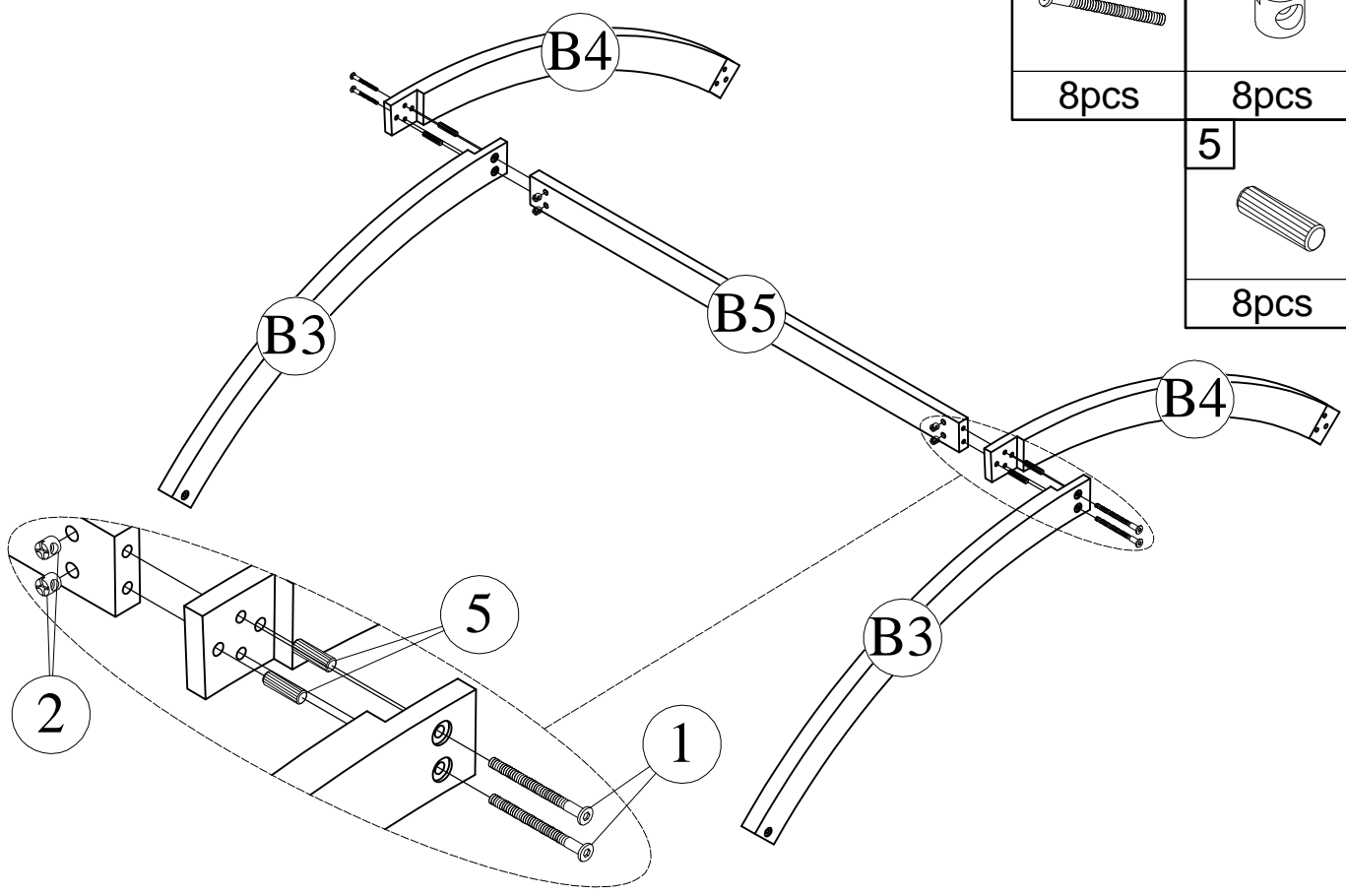
STEP2: Following below illustration.



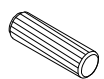
| | |
|---|---|
| 4 | 2 |
|  |  |
| 12pcs | 12pcs |
| | 3 |
| |  |
| | 6pcs |

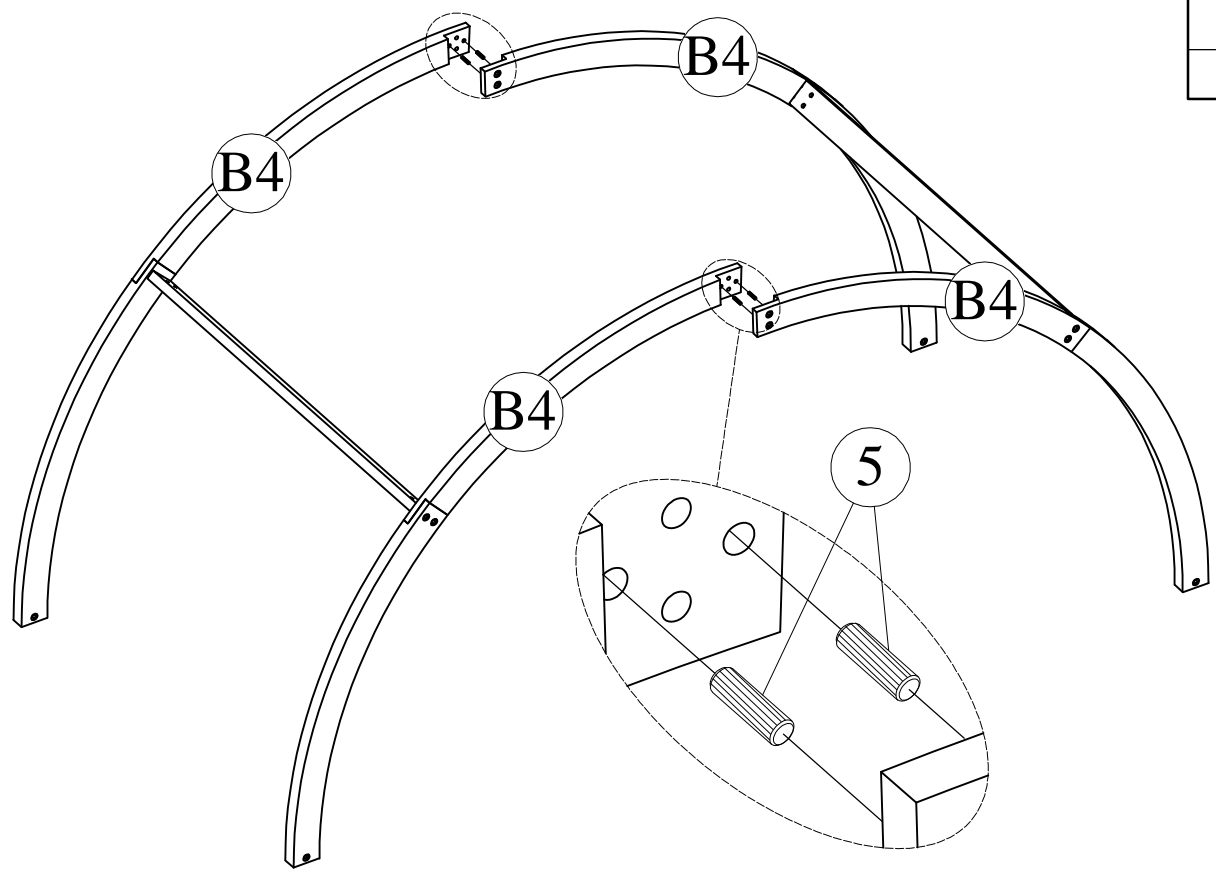
STEP3:X2 Following below illustration.

| | |
|--|--|
| <p>1</p>  | <p>2</p>  |
| <p>8pcs</p> | <p>8pcs</p> |
| <p>5</p>  <p>8pcs</p> | |





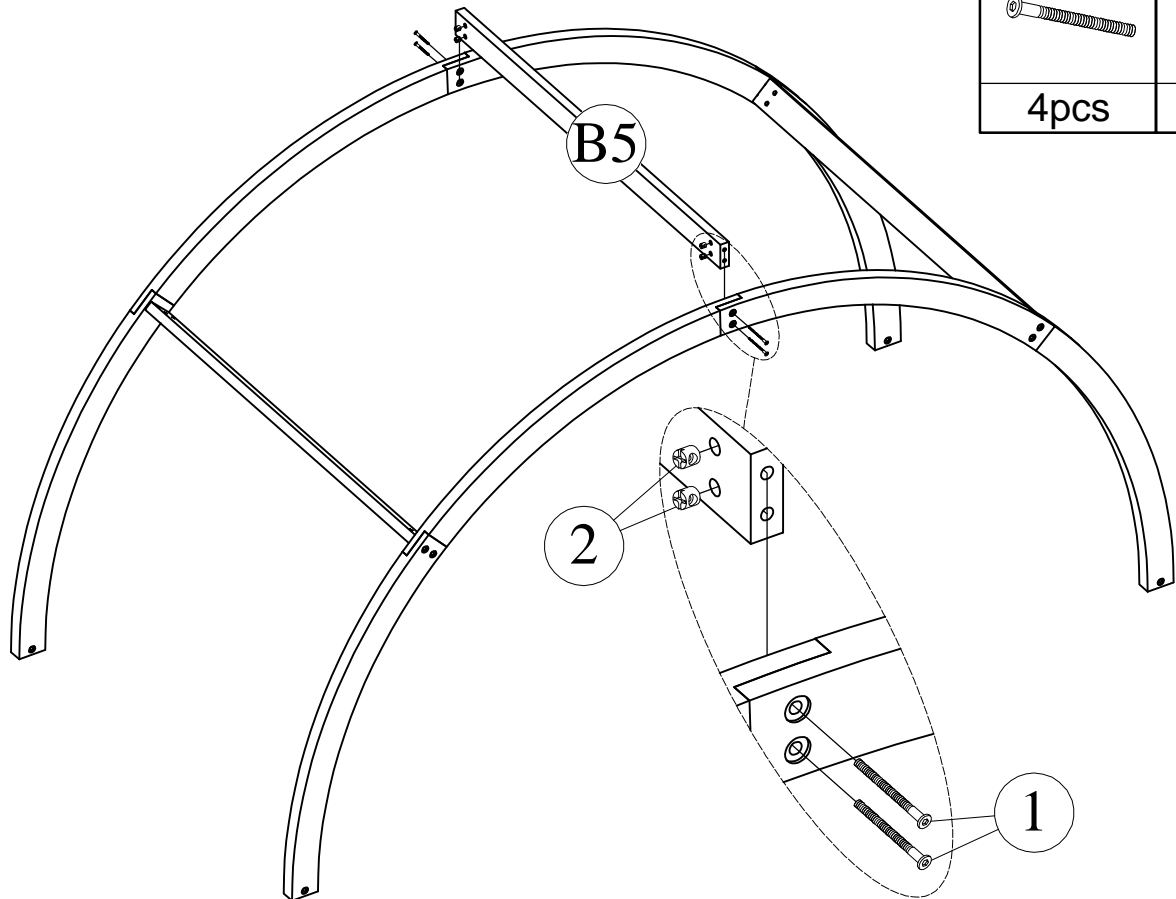
STEP4: Following below illustration.

| |
|--|
| <p>5</p>  |
| <p>4pcs</p> |

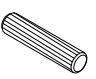


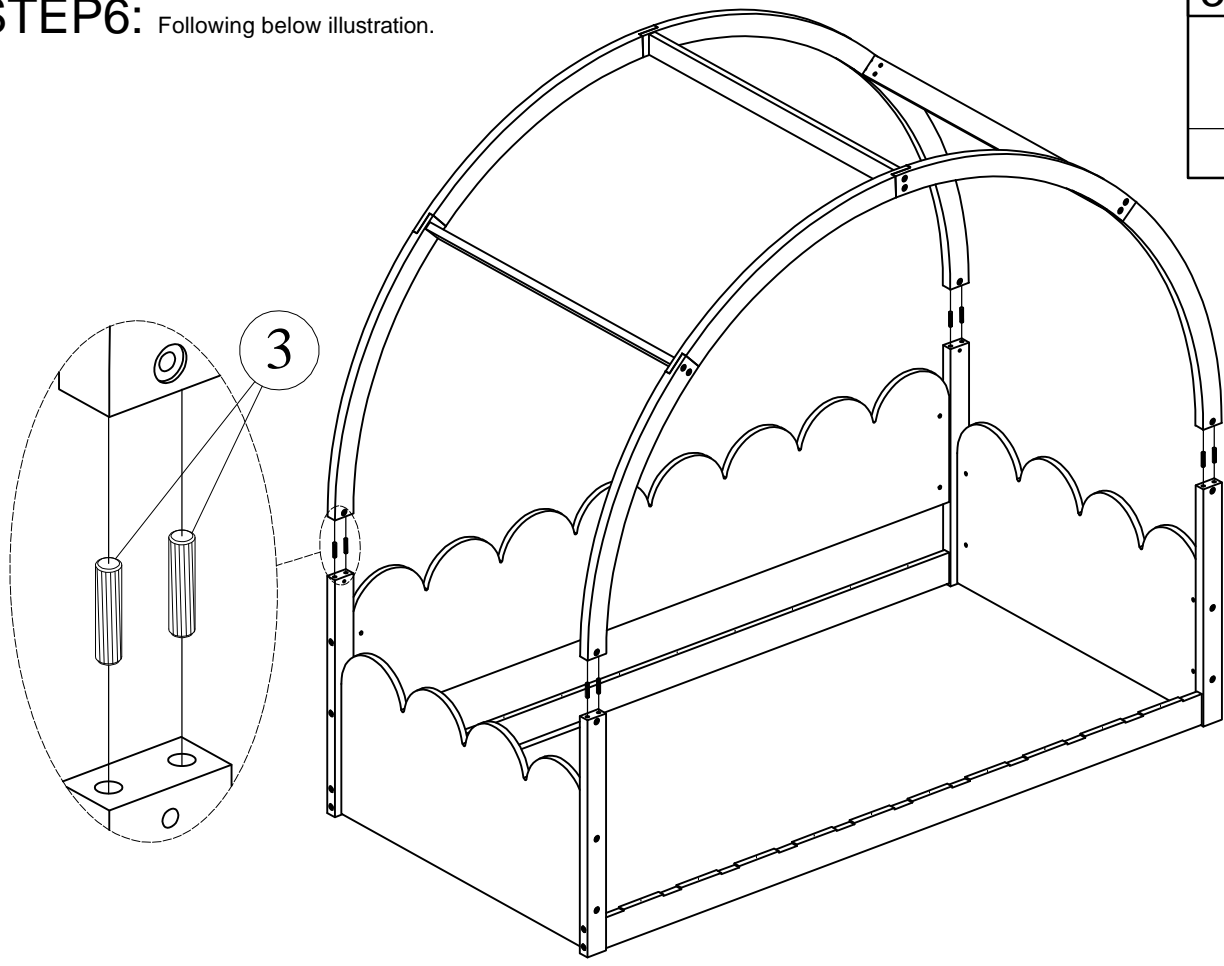
STEP5: Following below illustration.

| | |
|---|---|
| 1 | 2 |
|  |  |
| 4pcs | 4pcs |





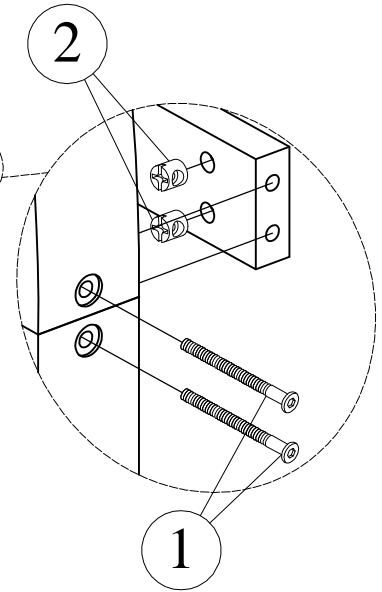
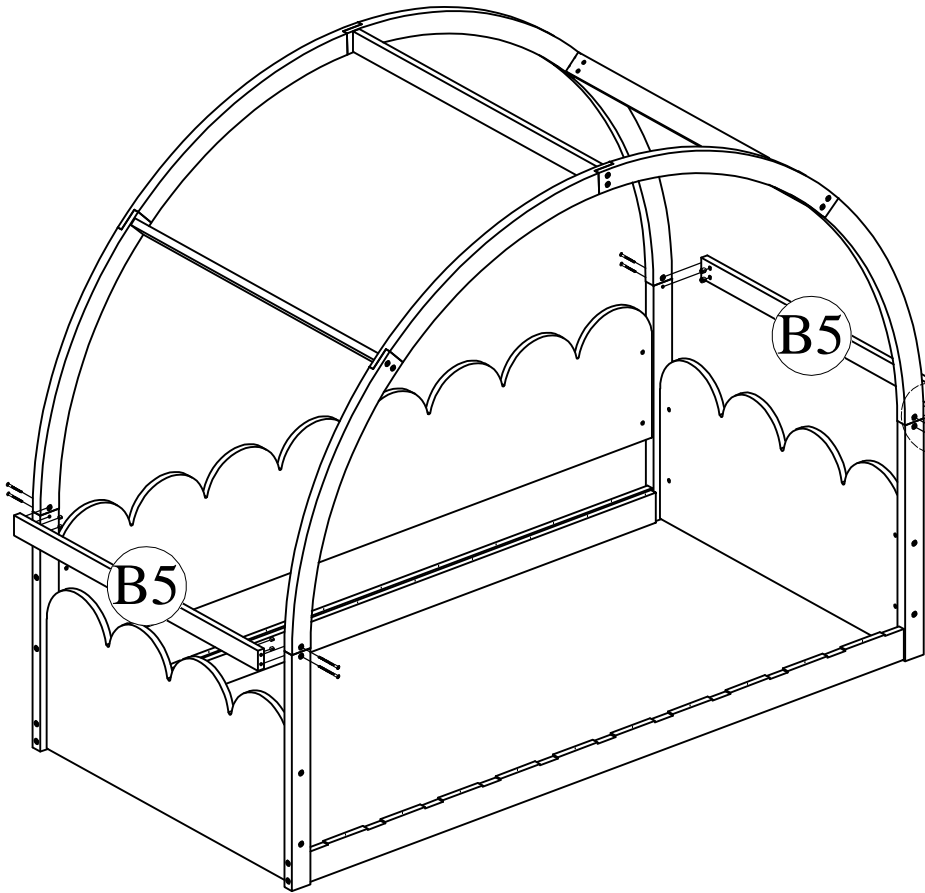
STEP6: Following below illustration.

| |
|---|
| 3 |
|  |
| 8pcs |




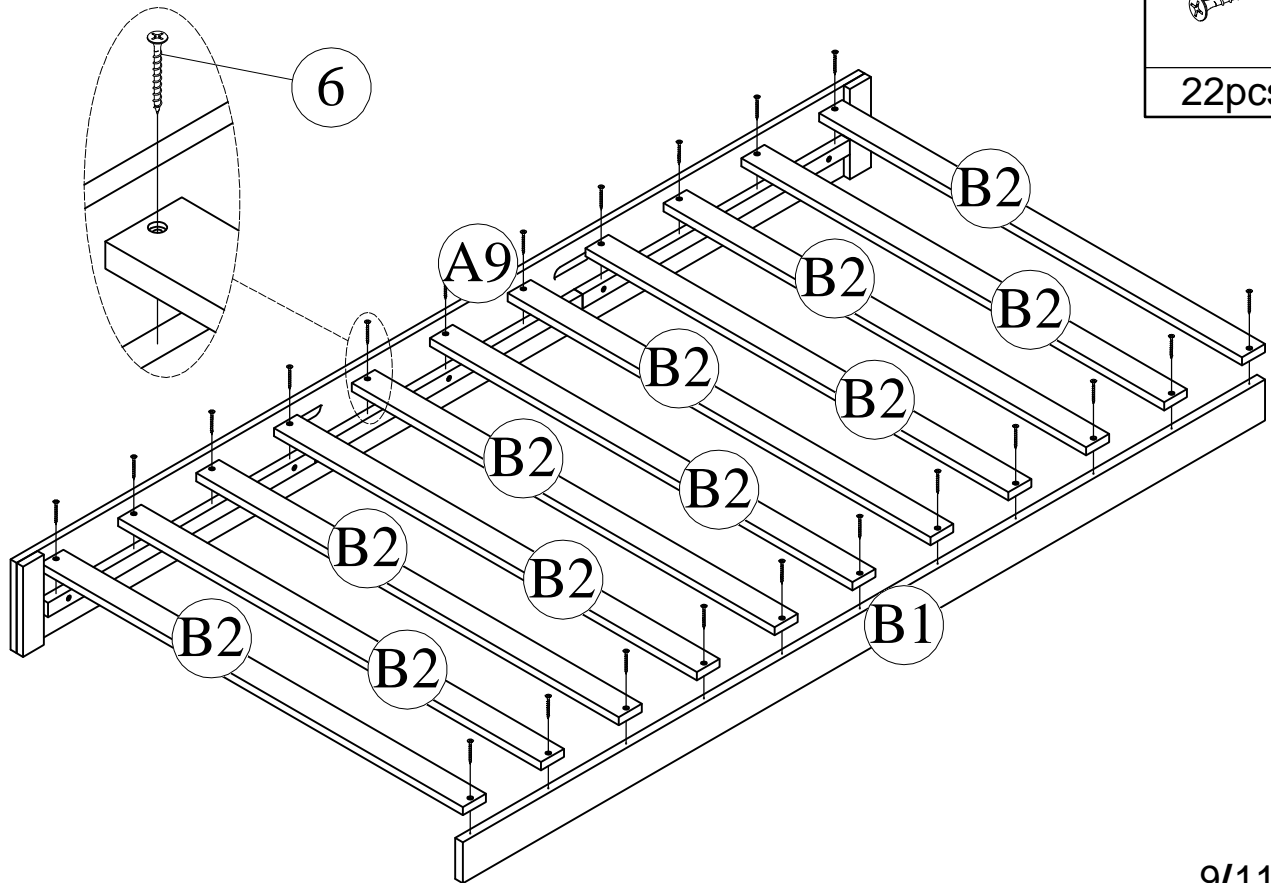
STEP7: Following below illustration.

| | |
|---|---|
| 1 | 2 |
|  |  |
| 8pcs | 8pcs |

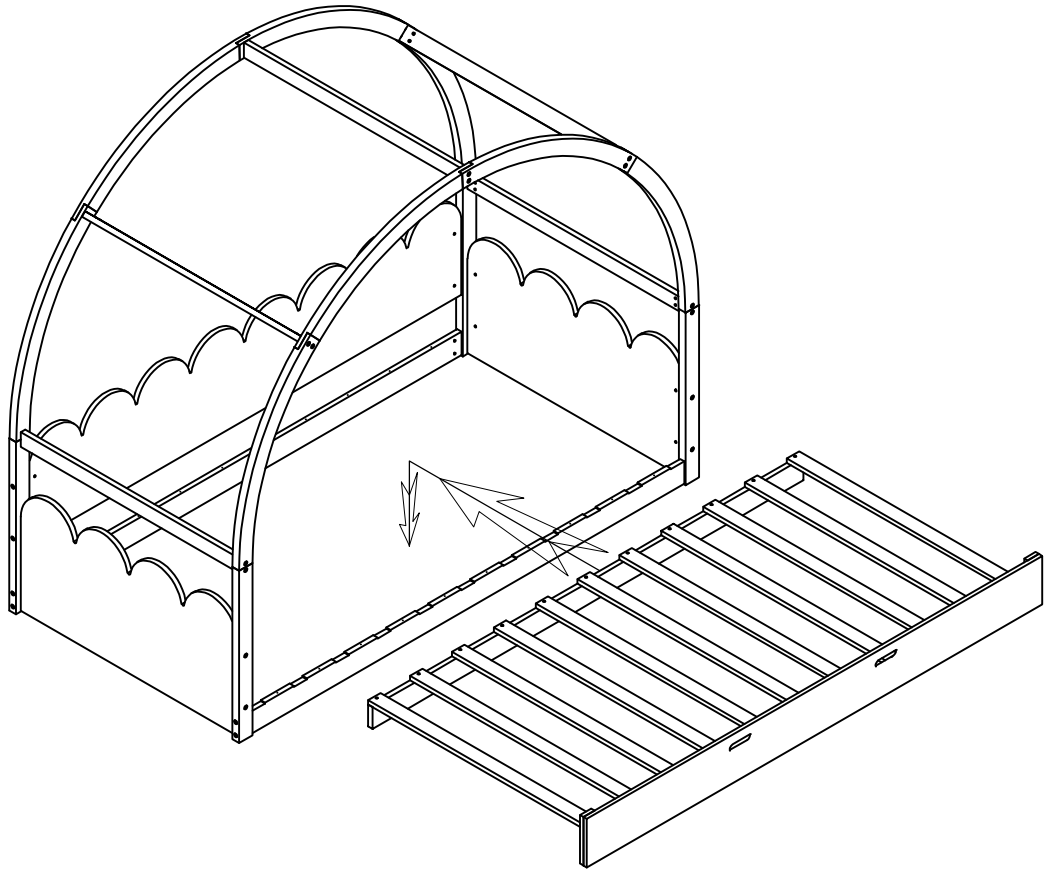


STEP8: Following below illustration.

| |
|---|
| 6 |
|  |
| 22pcs |



STEP9: Following below illustration.

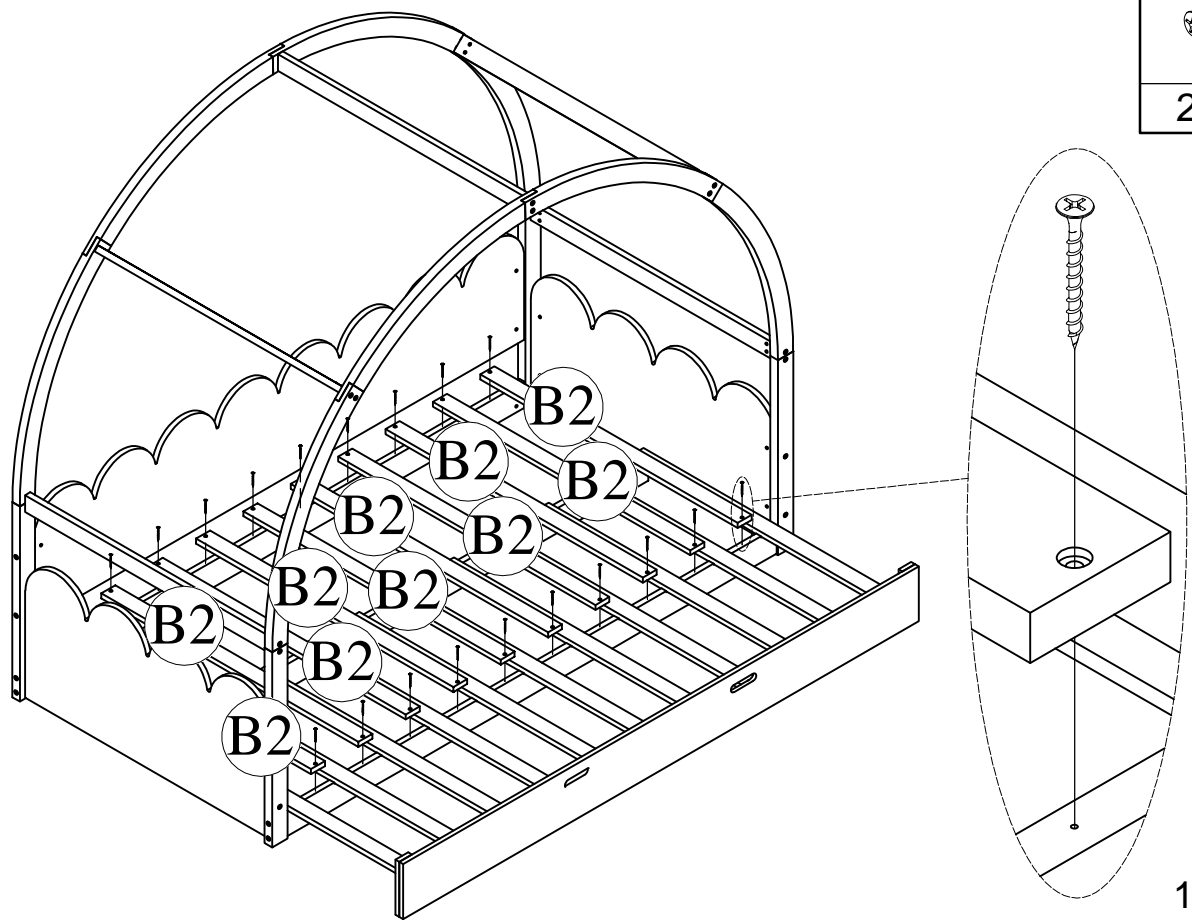


STEP10: Following below illustration.

6



20pcs



FINISH:

