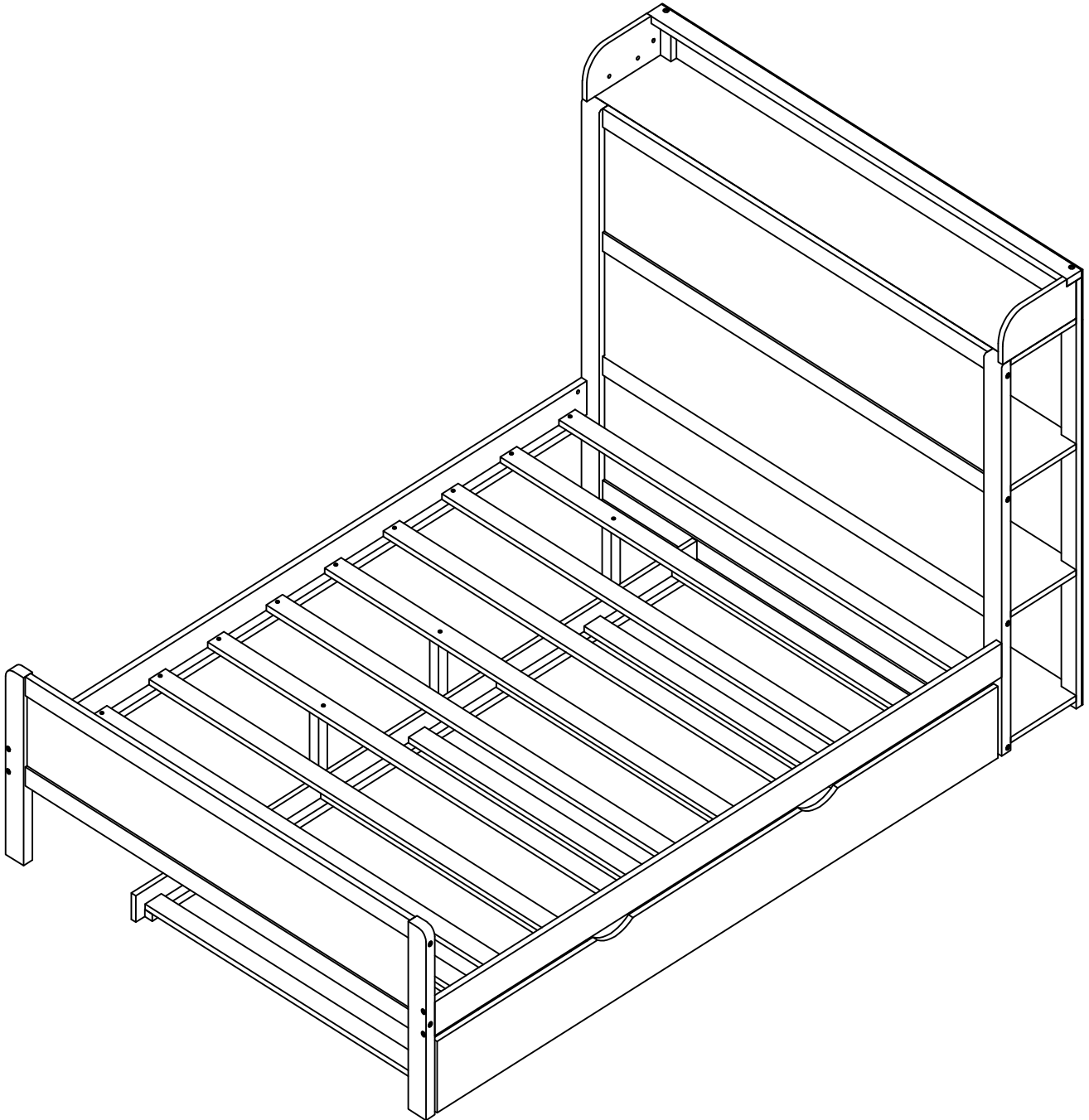
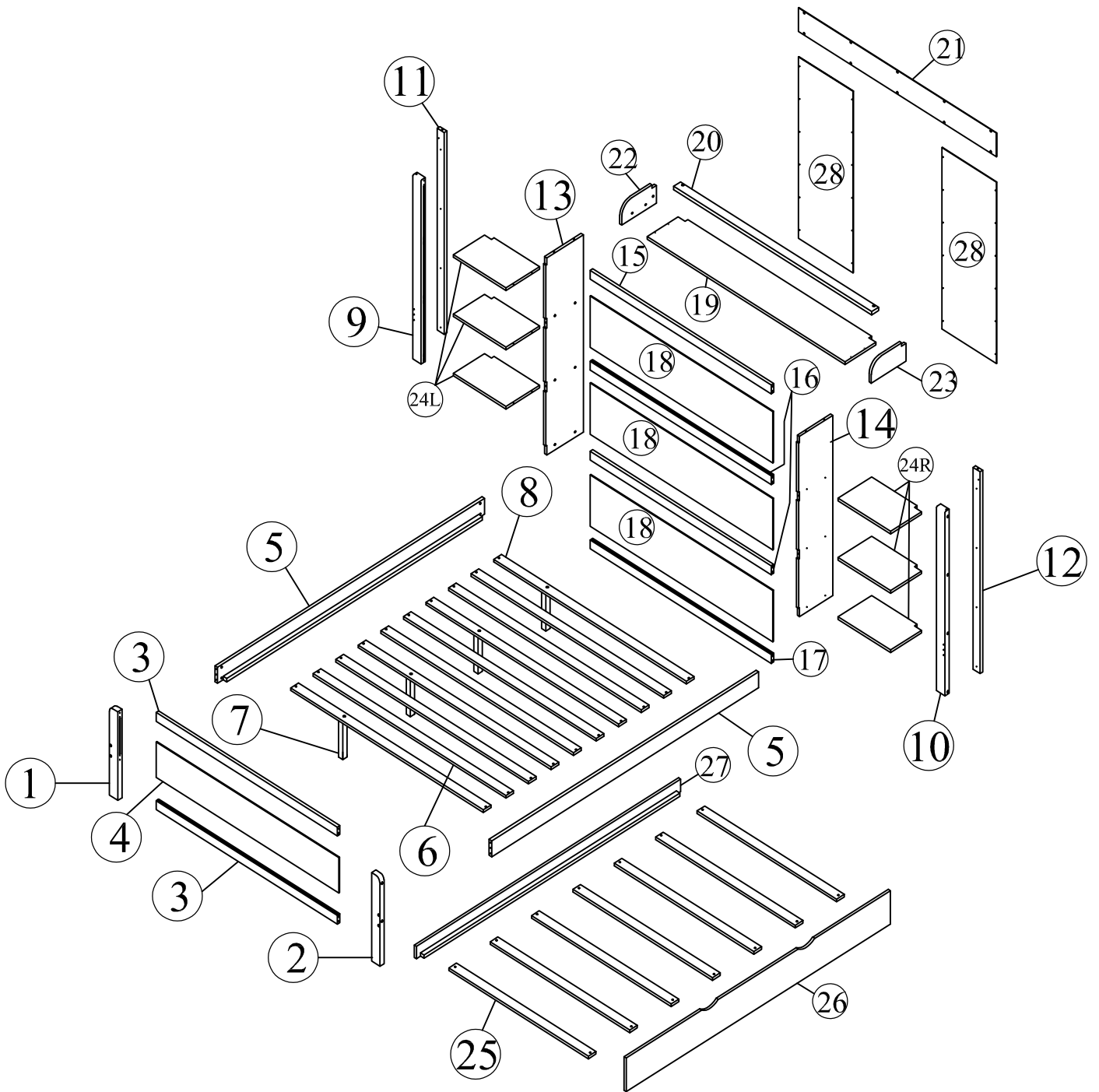


ASSEMBLY INSTRUCTION

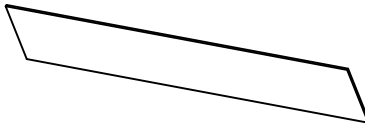


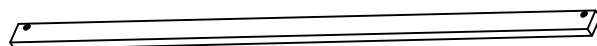
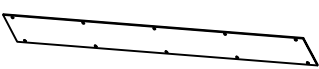
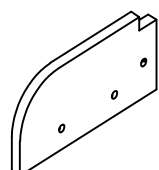
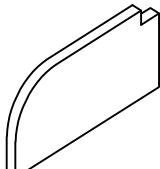
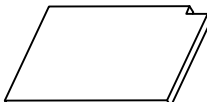



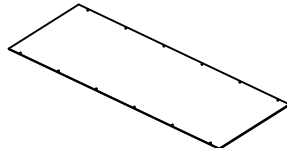
SKU CODE: WF318645 / WF318646




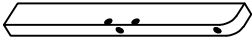


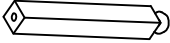
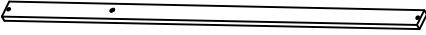

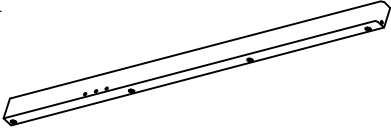
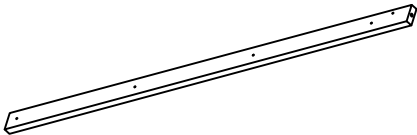
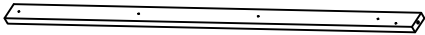
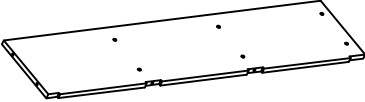
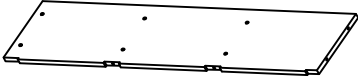


Detail:



Part List (WF318645)

<p>④ x1</p>  <p style="text-align: center;">Panel at Footboard</p>	<p>⑤ x2</p>  <p style="text-align: center;">Side rails</p>
<p>⑱ x1</p>  <p style="text-align: center;">Bottom panel at headboard</p>	<p>⑳ x1</p>  <p style="text-align: center;">Wood bar of headboard</p>
<p>㉑ x1</p>  <p style="text-align: center;">Top panel at headboard</p>	<p>㉒ x1</p>  <p style="text-align: center;">Side panel at headboard</p>
<p>㉓ x1</p>  <p style="text-align: center;">Side panel at headboard</p>	<p>㉔L x3</p>  <p style="text-align: right;">Shelf</p>
<p>㉕ x7</p>  <p style="text-align: center;">Slats</p>	<p>㉖ x1</p>  <p style="text-align: center;">Front trundle</p>
<p>㉗ x1</p>  <p style="text-align: center;">Back trundle</p>	<p>㉘ x2</p>  <p style="text-align: center;">Back panel of headboard</p>

Part List (WF318646)

<p>① x1</p>  <p style="text-align: center;">Left post leg of footboard</p>	<p>② x1</p>  <p style="text-align: center;">Right post leg of footboard</p>
<p>③ x2</p>  <p style="text-align: center;">Wood bar at footboard</p>	<p>⑥ x6</p>  <p style="text-align: center;">Back Right Roof Rail</p>
<p>⑦ x4</p>  <p style="text-align: center;">Back Left Roof Rail</p>	<p>⑧ x4</p>  <p style="text-align: center;">Slats</p>
<p>⑨ x1</p>  <p style="text-align: center;">Left (front) post leg of headboard</p>	<p>⑩ x1</p>  <p style="text-align: center;">Right(front) post leg of headboard</p>
<p>⑪ x1</p>  <p style="text-align: center;">Left (back) post leg of headboard</p>	<p>⑫ x1</p>  <p style="text-align: center;">Right (back) post leg of headboard</p>
<p>⑬ x1</p>  <p style="text-align: center;">Left side panel at headboard</p>	<p>⑭ x1</p>  <p style="text-align: center;">Right side panel at headboard</p>
<p>⑮ x1</p>  <p style="text-align: center;">Wood bar at headboard</p>	<p>⑯ x2</p>  <p style="text-align: center;">Middle wood bar at headboard</p>

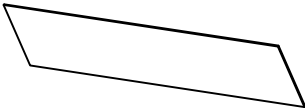
Part List (WF318646)

17 x1



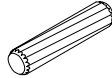


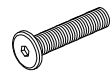


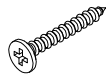
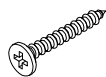
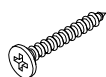


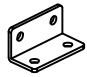


Bottom wood bar at headboard

18 x3



Front panel of headboard


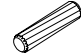


Hardware List (WF318645)

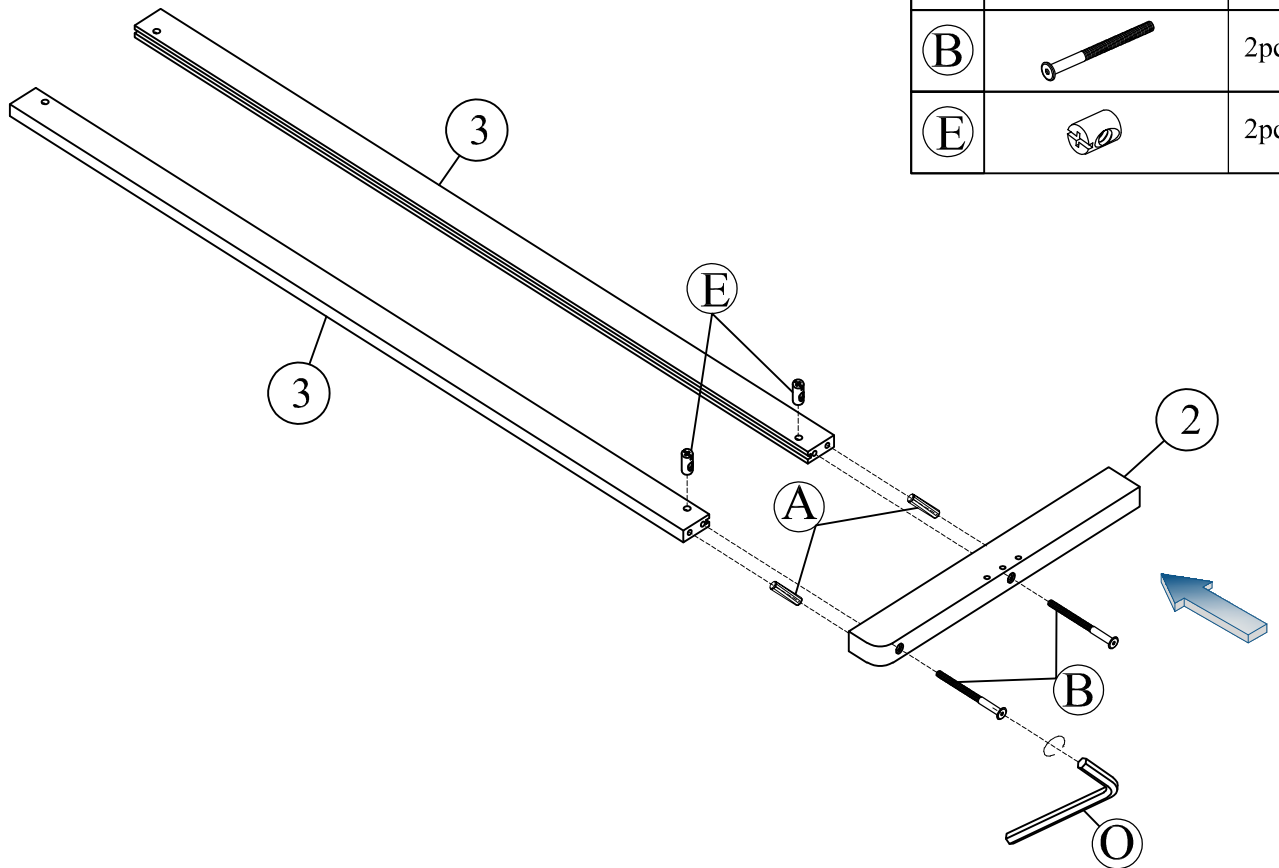
No.	OUTLOOK	DESC	QTY
(A)		Dowel Ø8*30mm	26pcs
(B)		Bolts M6*100mm	12pcs
(C)		Bolts M6*70mm	8pcs
(D)		Bolts M6*30mm	6pcs
(E)		Cross dowel M6*13mm	20pcs
(F)		Cross dowel Ø10*10mm	26pcs
(G)		Flat head screw #8*60mm	26pcs
(H)		Flat head screw #8*30mm	34pcs
(I)		Flat head screw #7*12mm	52pcs
(J)		Round head screw #8*15mm	34pcs
(K)		Pat L	14pcs
(L)		Base L small	4pcs
(M)		Wheels	4pcs
(O)		Allen key 60*22*4mm	1pc

ASSEMBLY TOOLS REQUIRED (NOT INCLUDED)

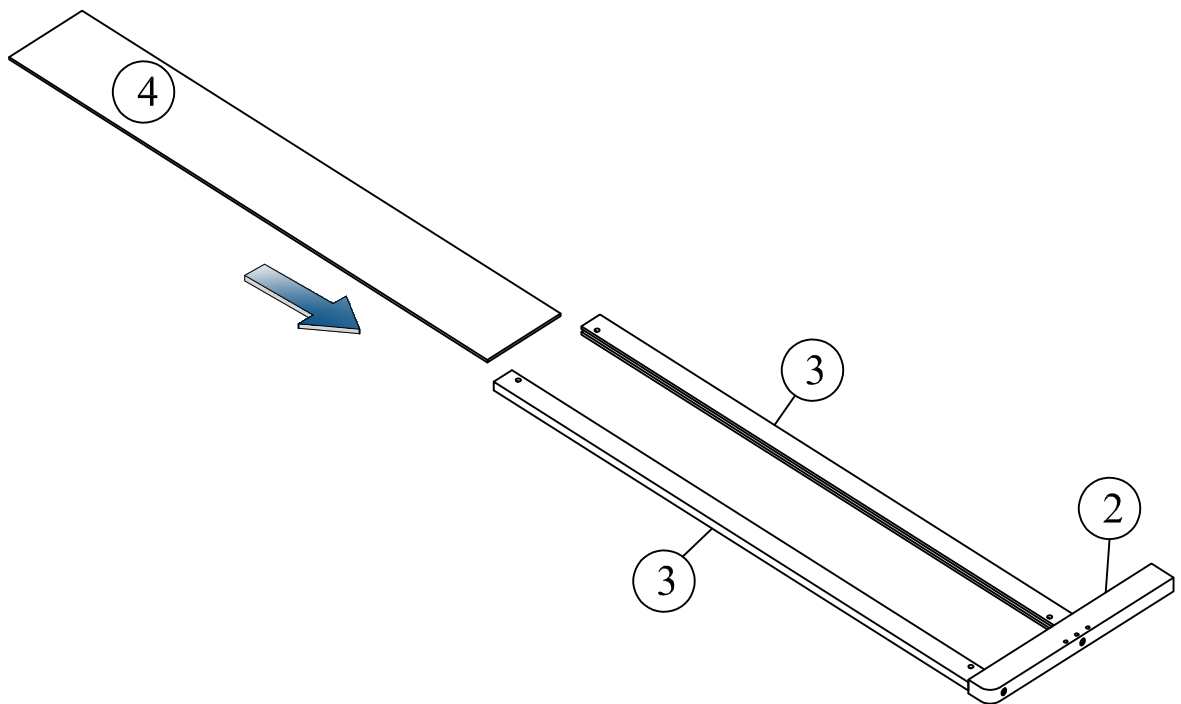


STEP 1:

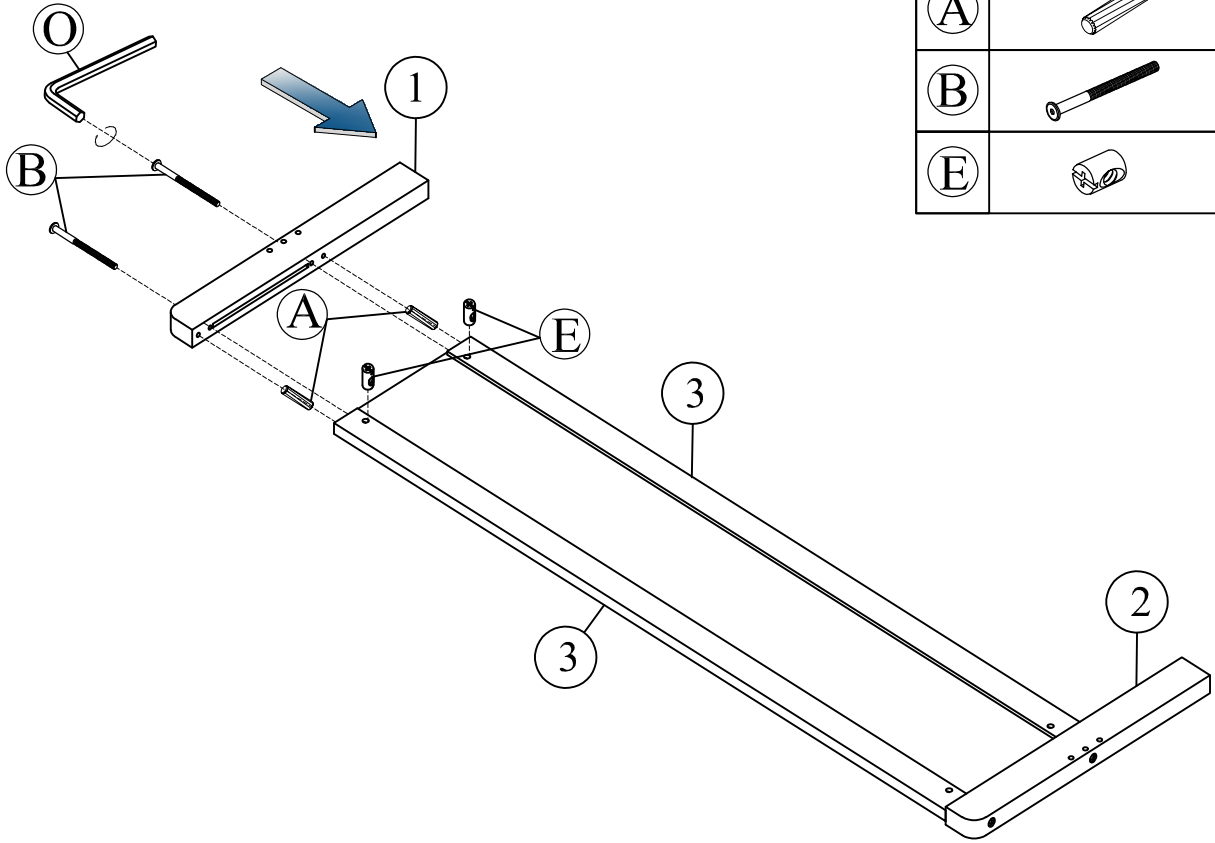
⓪		1pc
Ⓐ		2pcs
Ⓑ		2pcs
Ⓔ		2pcs



STEP 2:

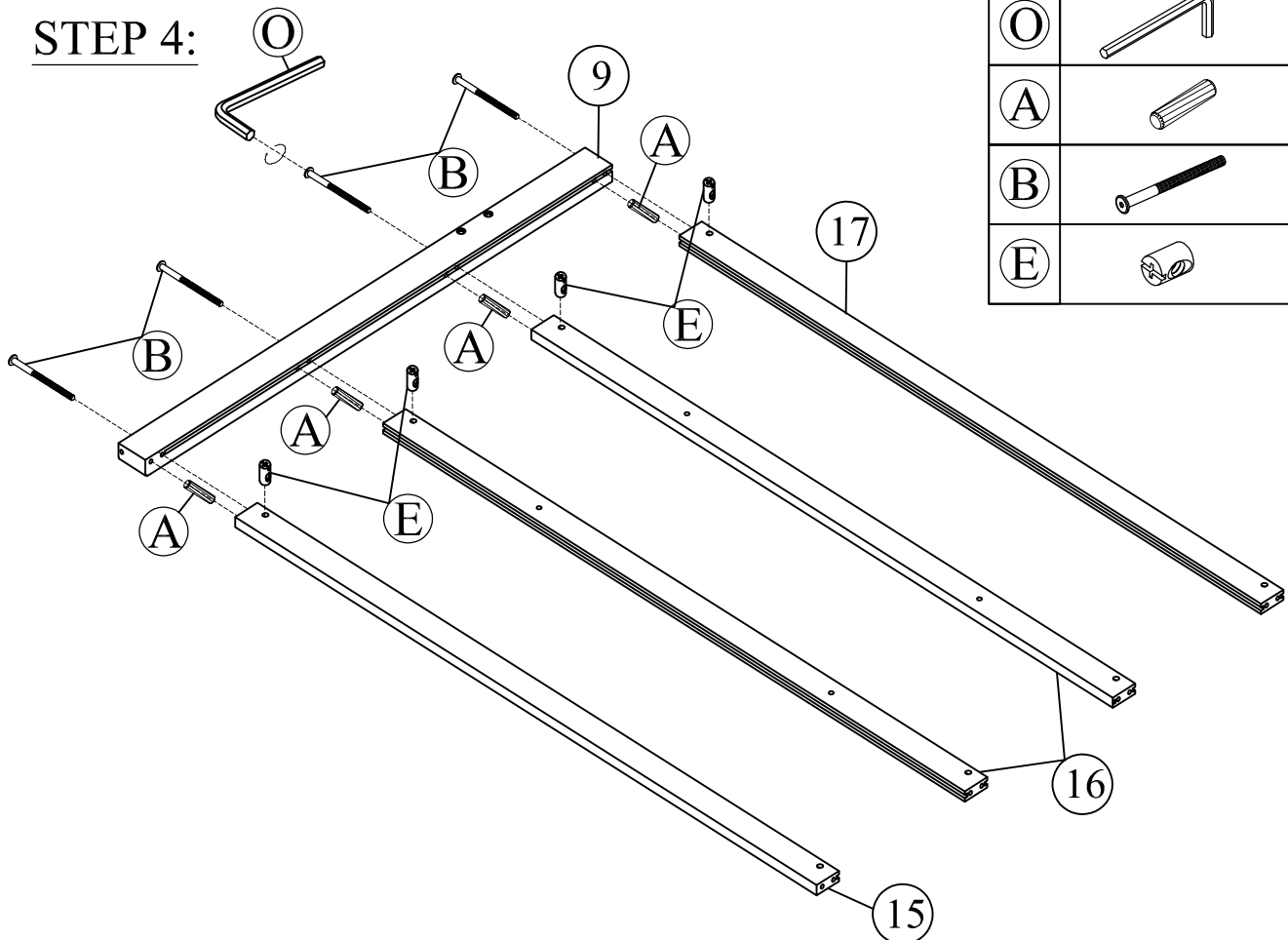


STEP 3:



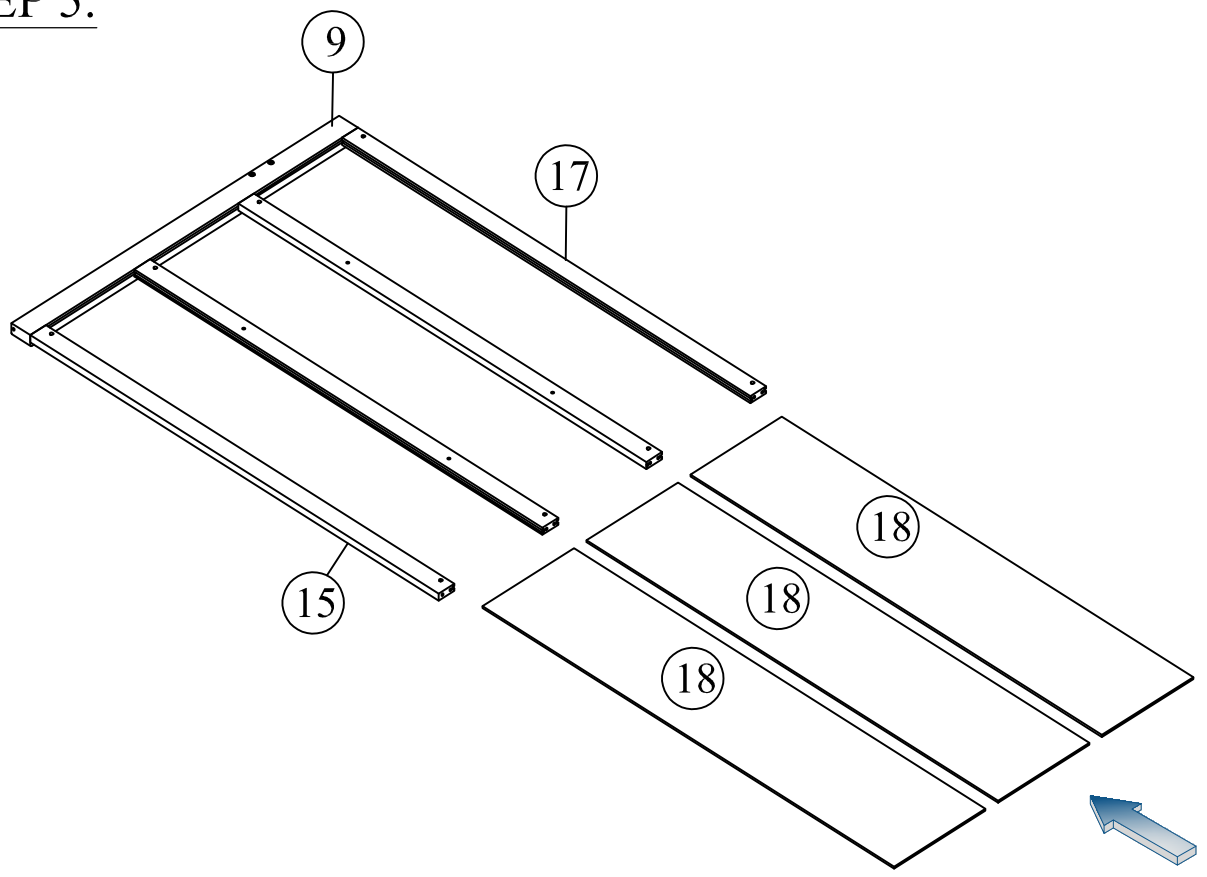
(O)		1pc
(A)		2pcs
(B)		2pcs
(E)		2pcs

STEP 4:

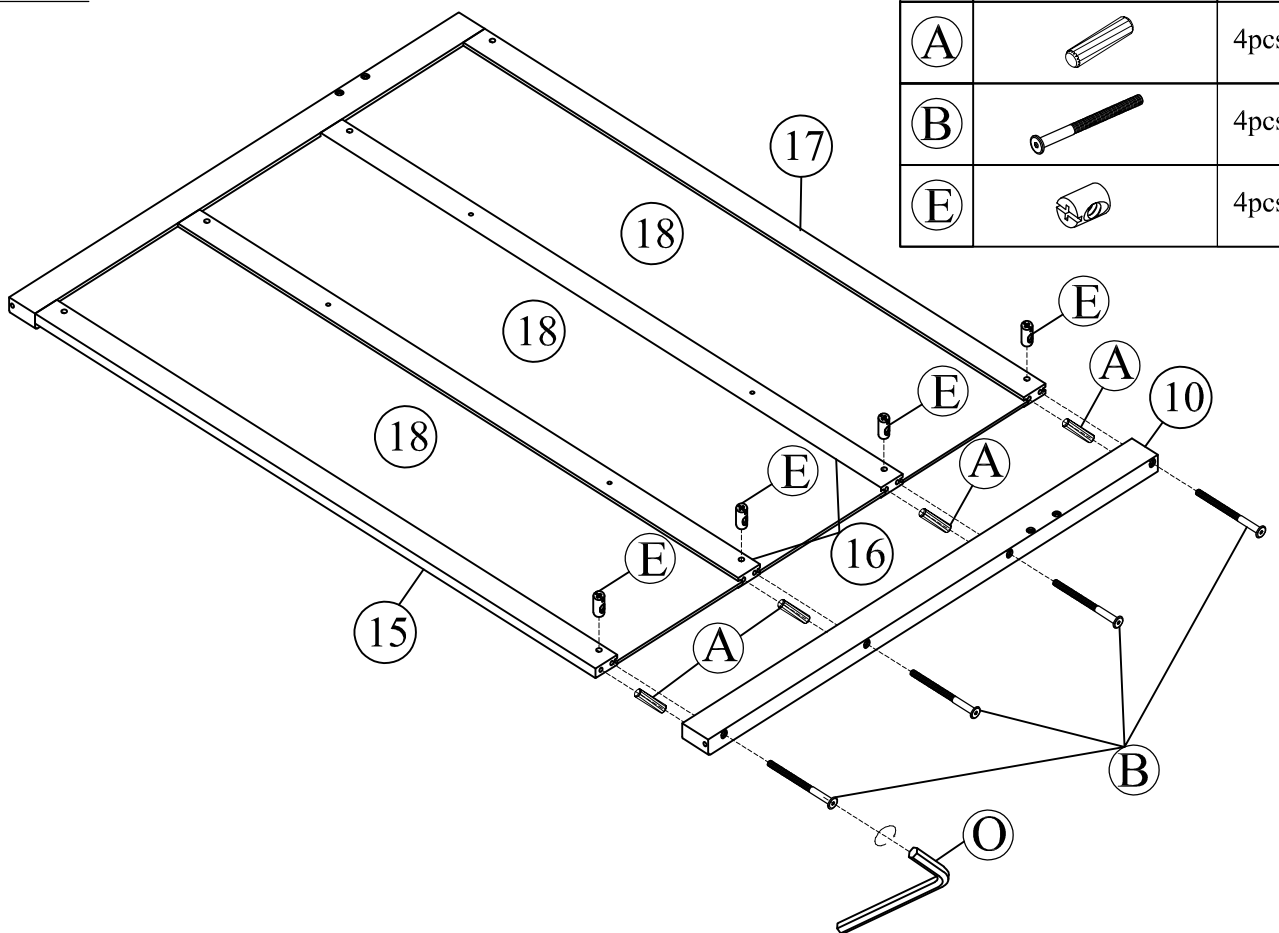



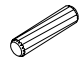


(O)		1pc
(A)		4pcs
(B)		4pcs
(E)		4pcs

STEP 5:

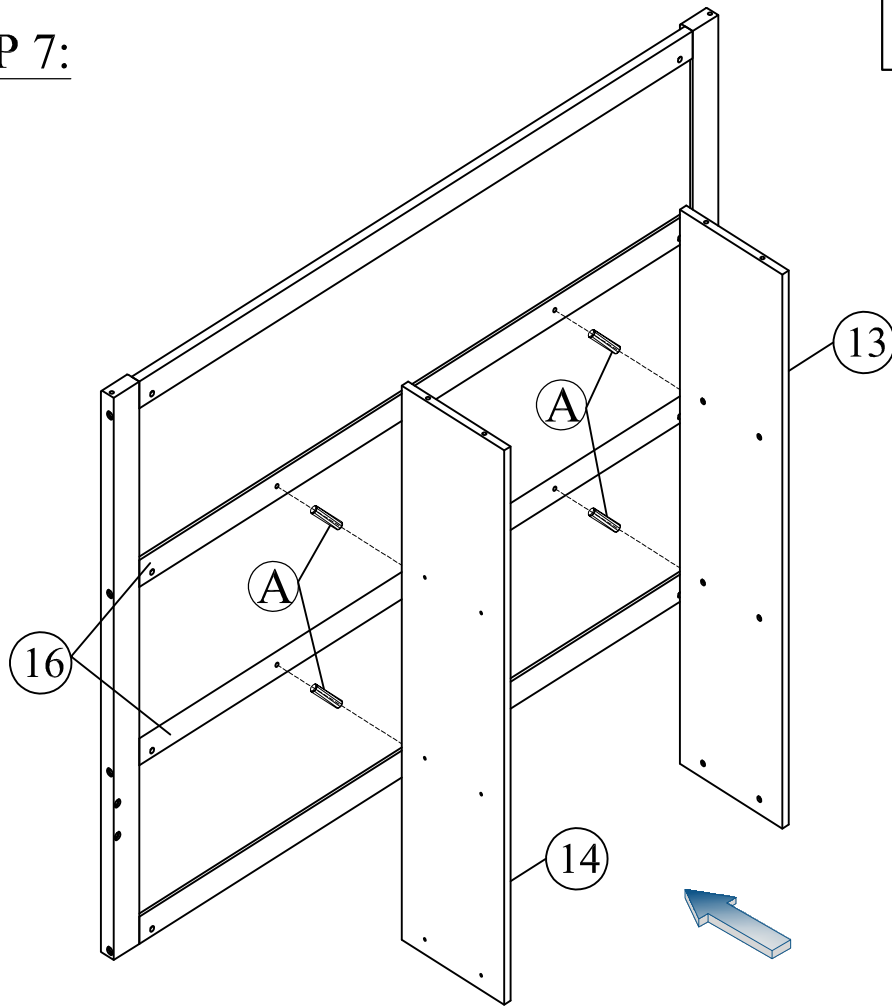


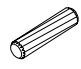
STEP 6:



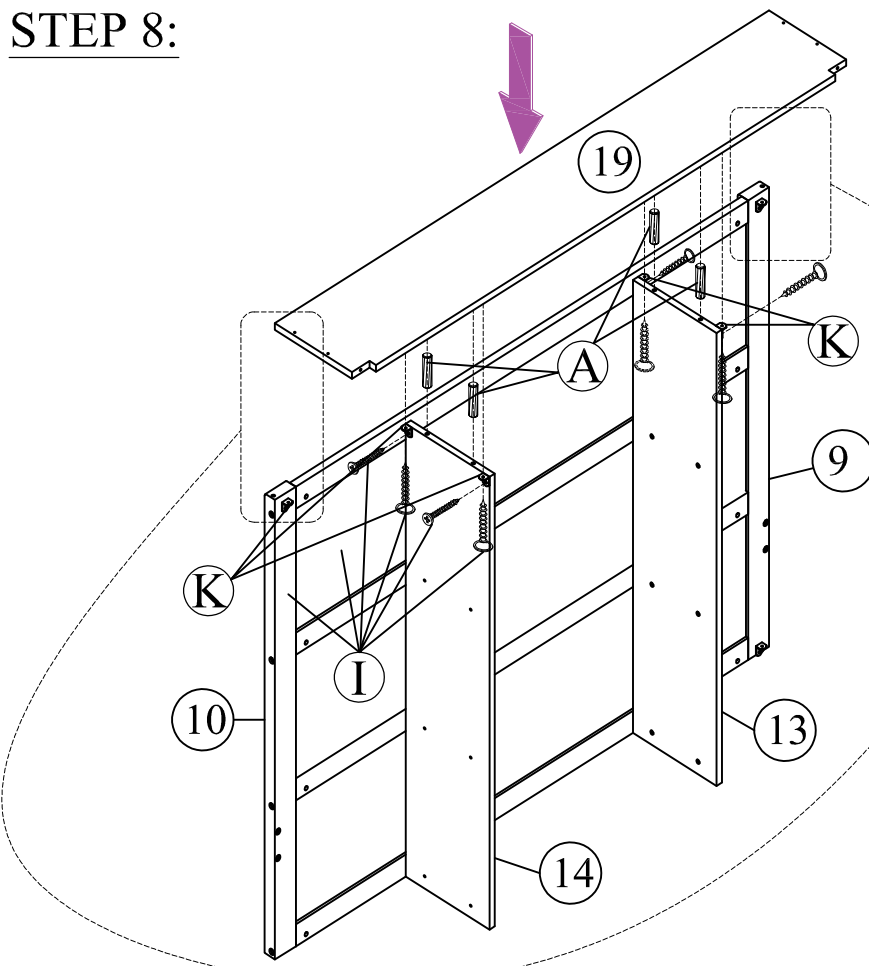
O		1pc
A		4pcs
B		4pcs
E		4pcs



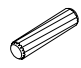
STEP 7:

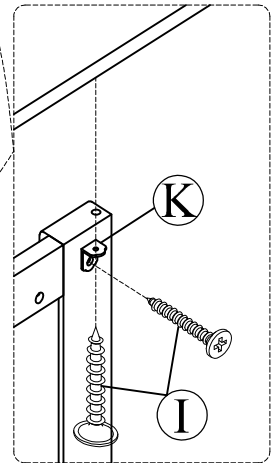


(A)		4pcs
-----	-------------------------------------------------------------------------------------	------

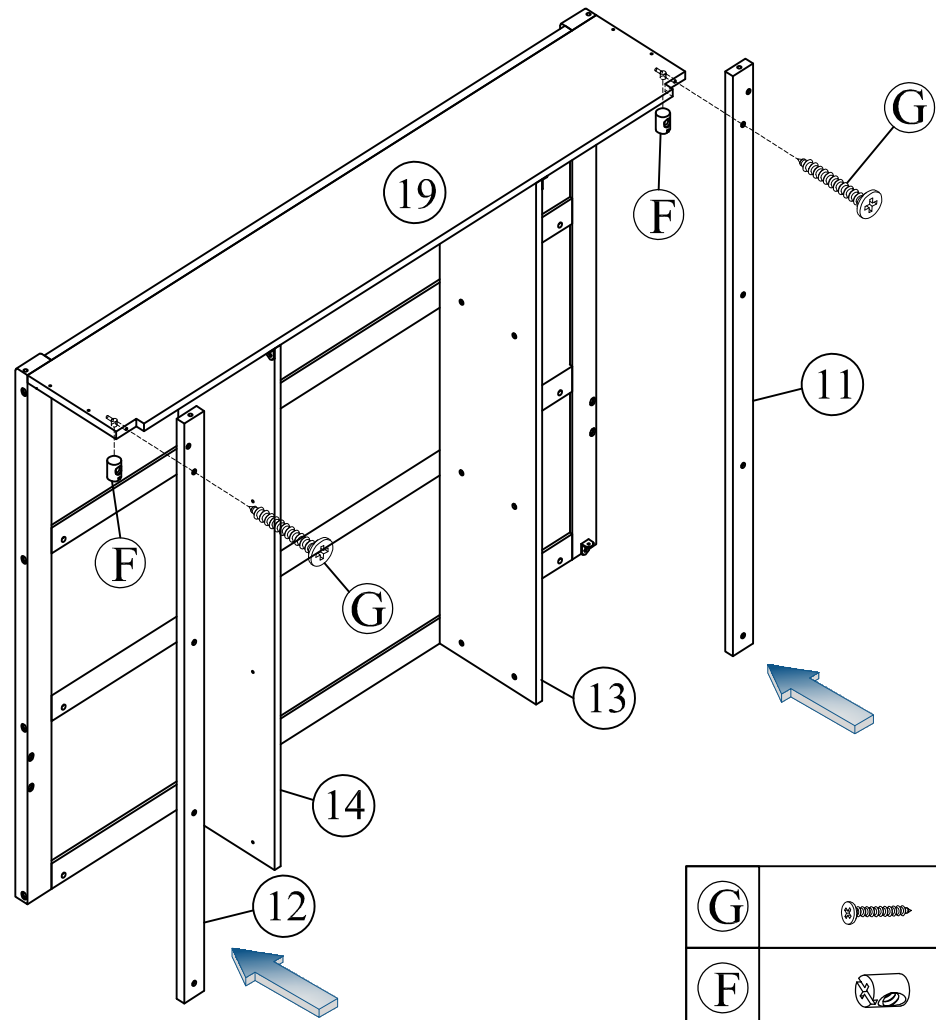
STEP 8:





(K)		6pcs
(I)		12pcs
(A)		4pcs

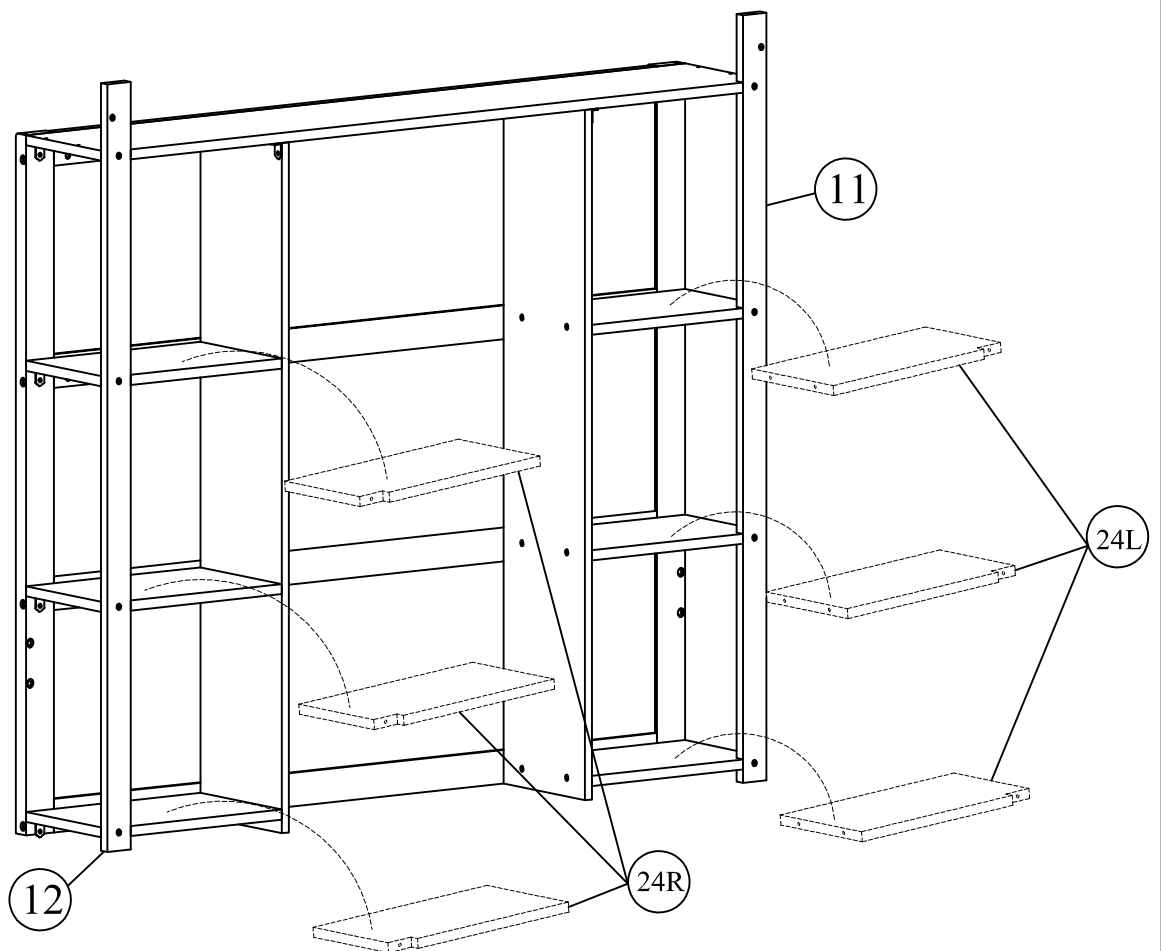


STEP 9:

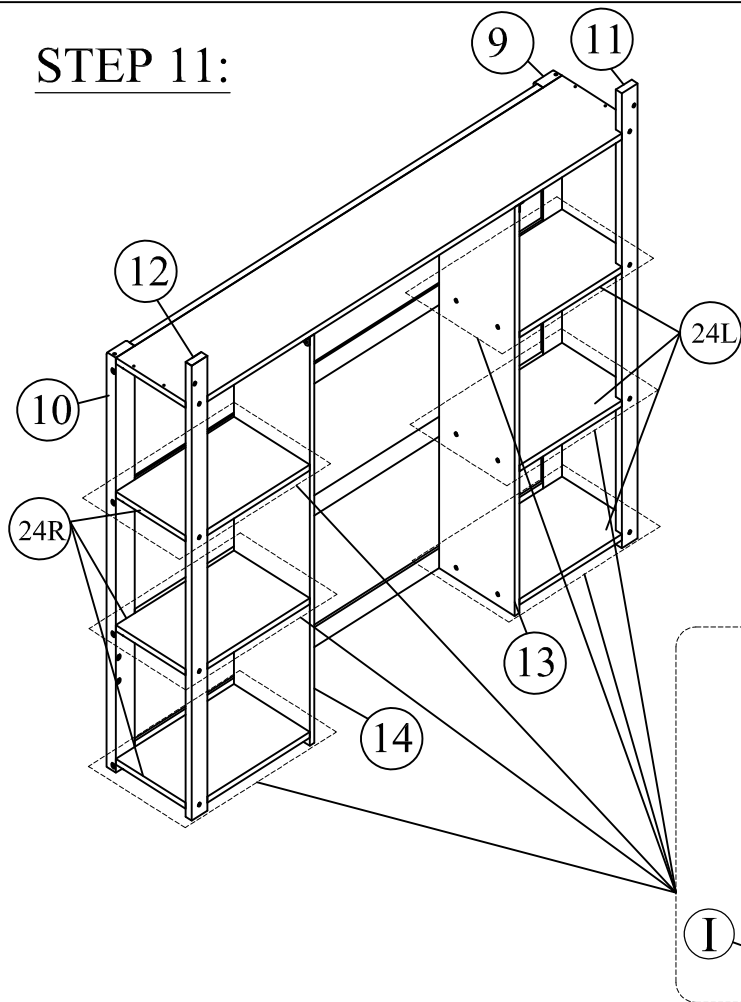


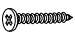


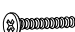
G		2pcs
F		2pcs

STEP 10:

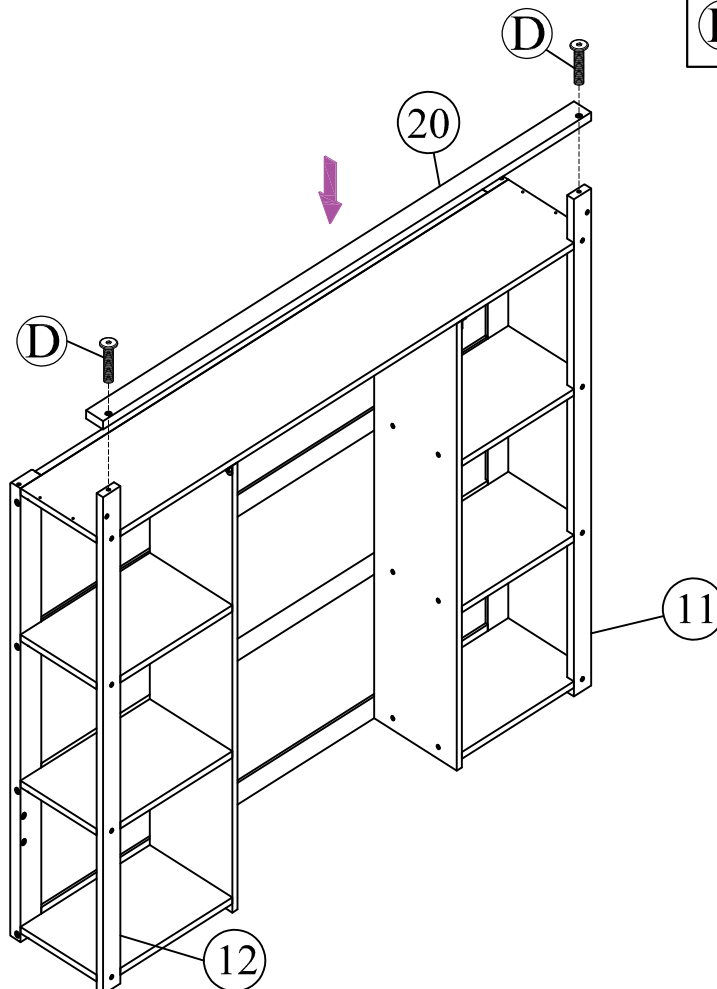



STEP 11:



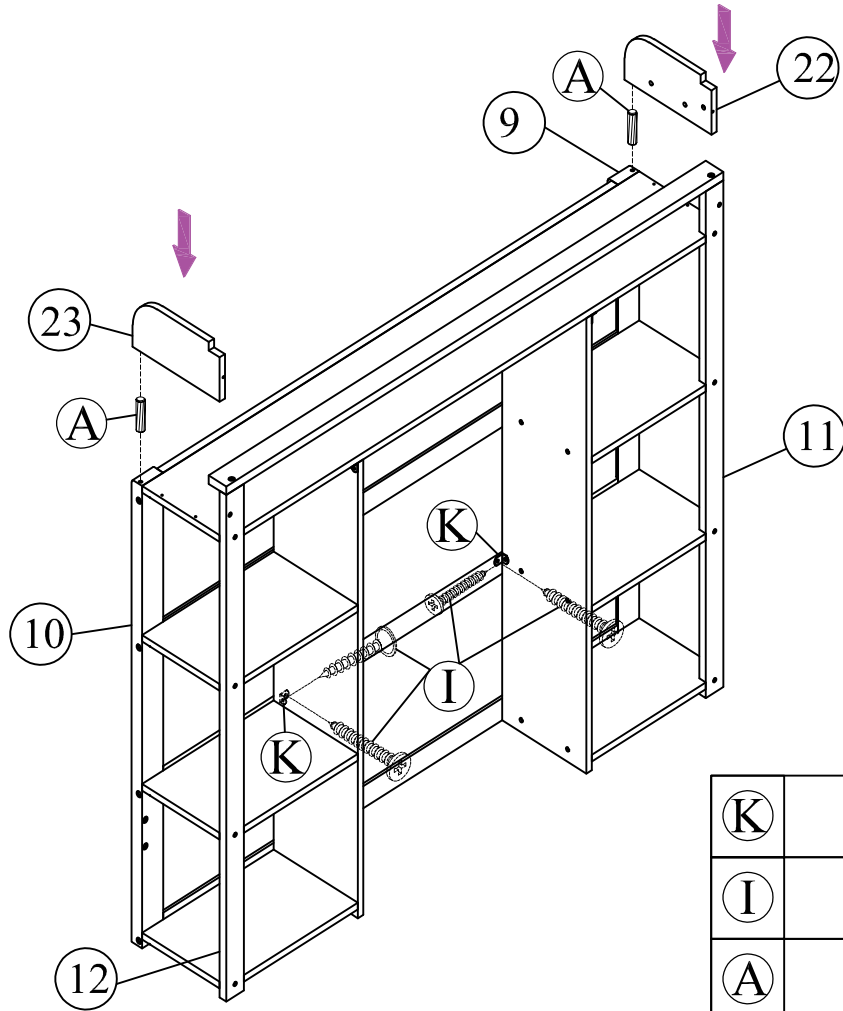
G		18pcs
F		18pcs
K		6pcs
I		12pcs






STEP 12:



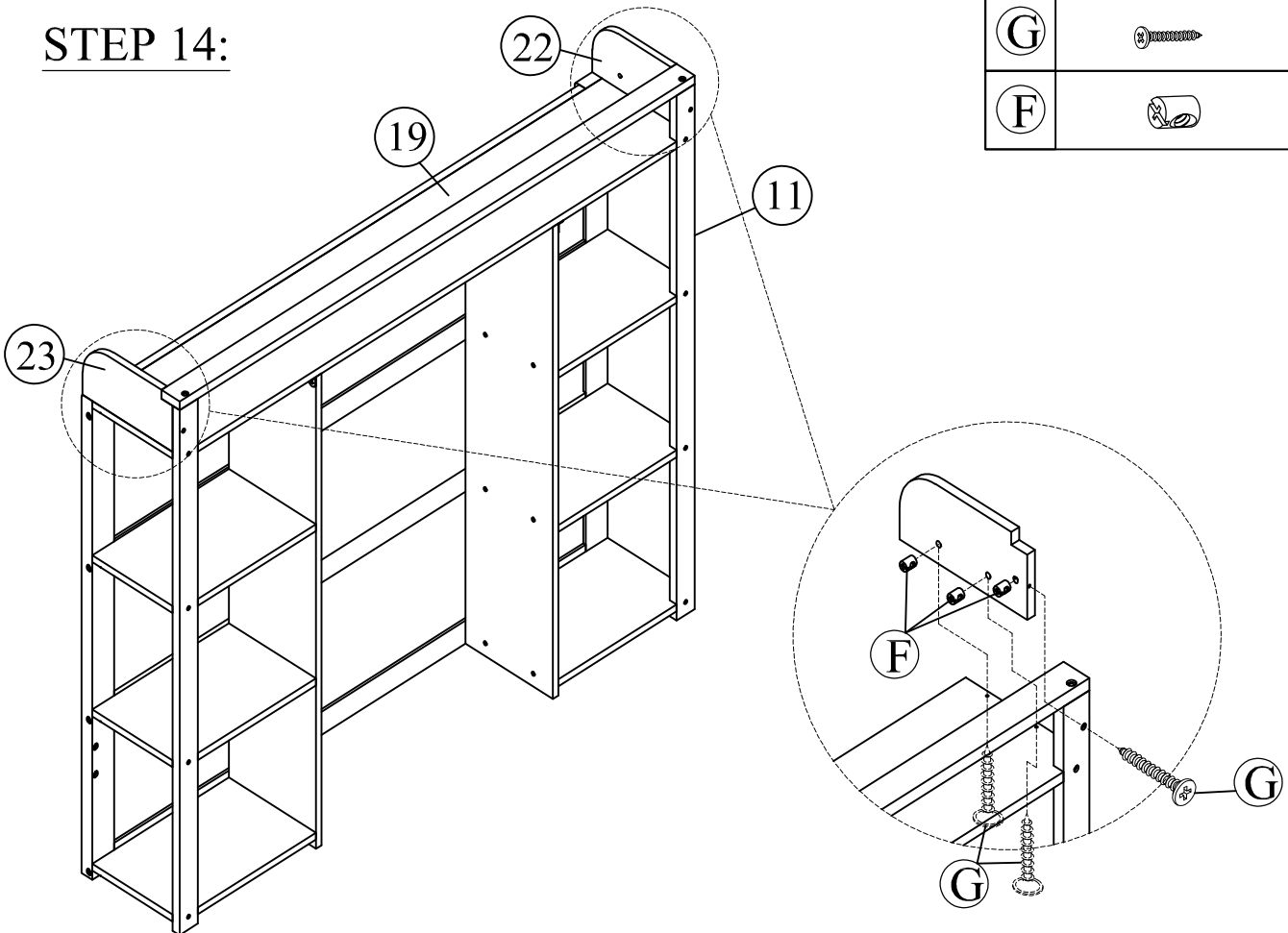
D		2pcs
----------	---------------------------------------------------------------------------------------	------

STEP 13:

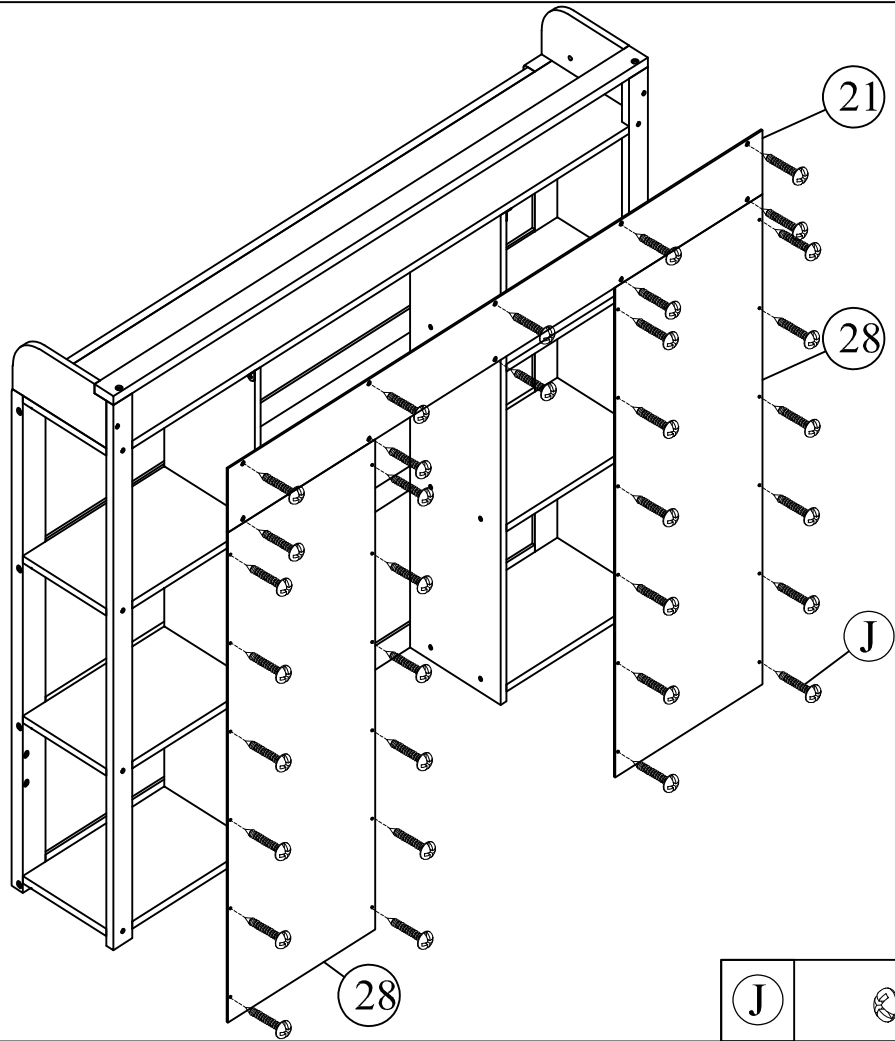



(K)		2pcs
(I)		4pcs
(A)		2pcs
(G)		6pcs
(F)		6pcs

STEP 14:

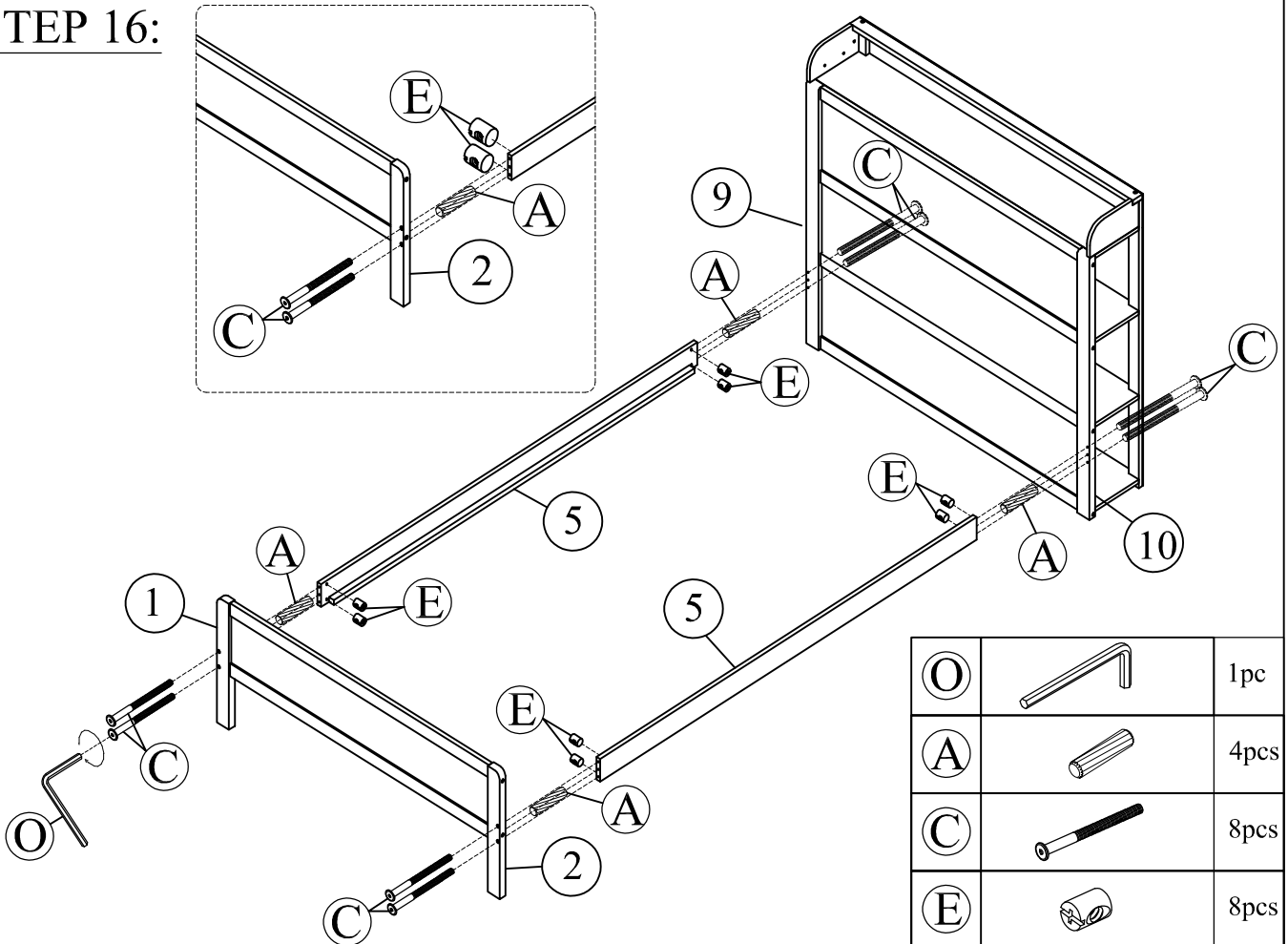



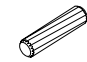

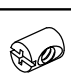
STEP 15:



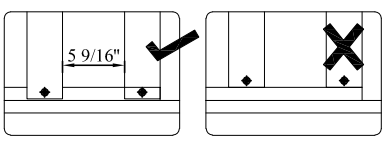
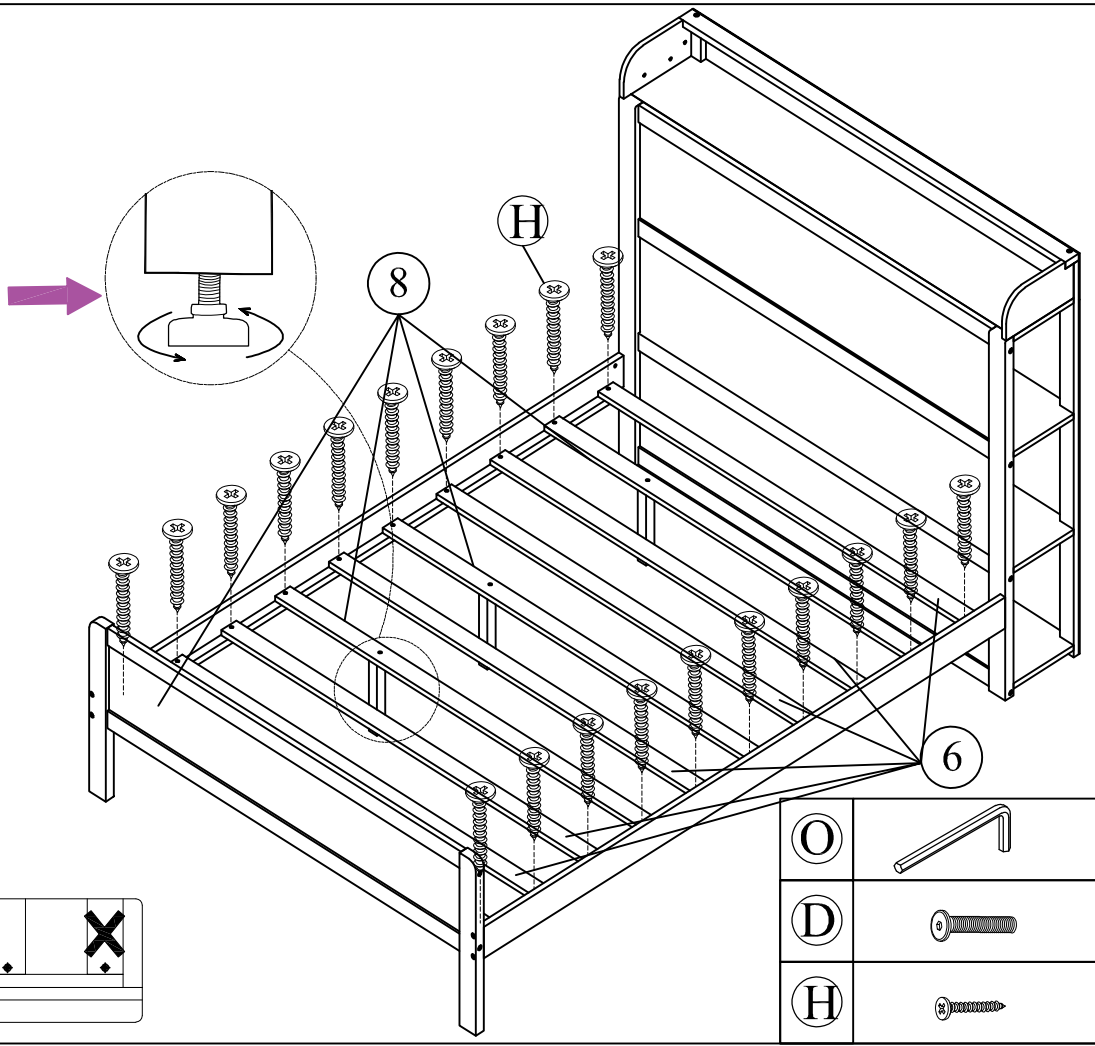
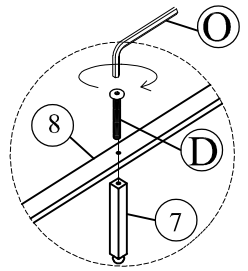
J		34pcs
---	---------------------------------------------------------------------------------------	-------

STEP 16:



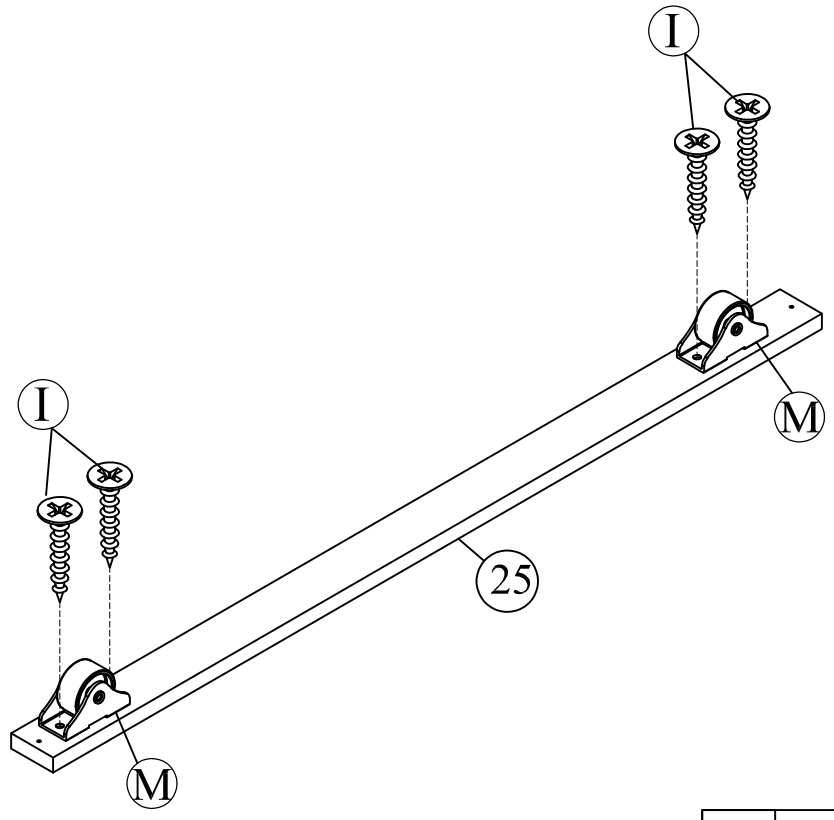
O		1pc
A		4pcs
C		8pcs
E		8pcs

STEP 17:



O		1pc
D		4pcs
H		20pcs

STEP 18:

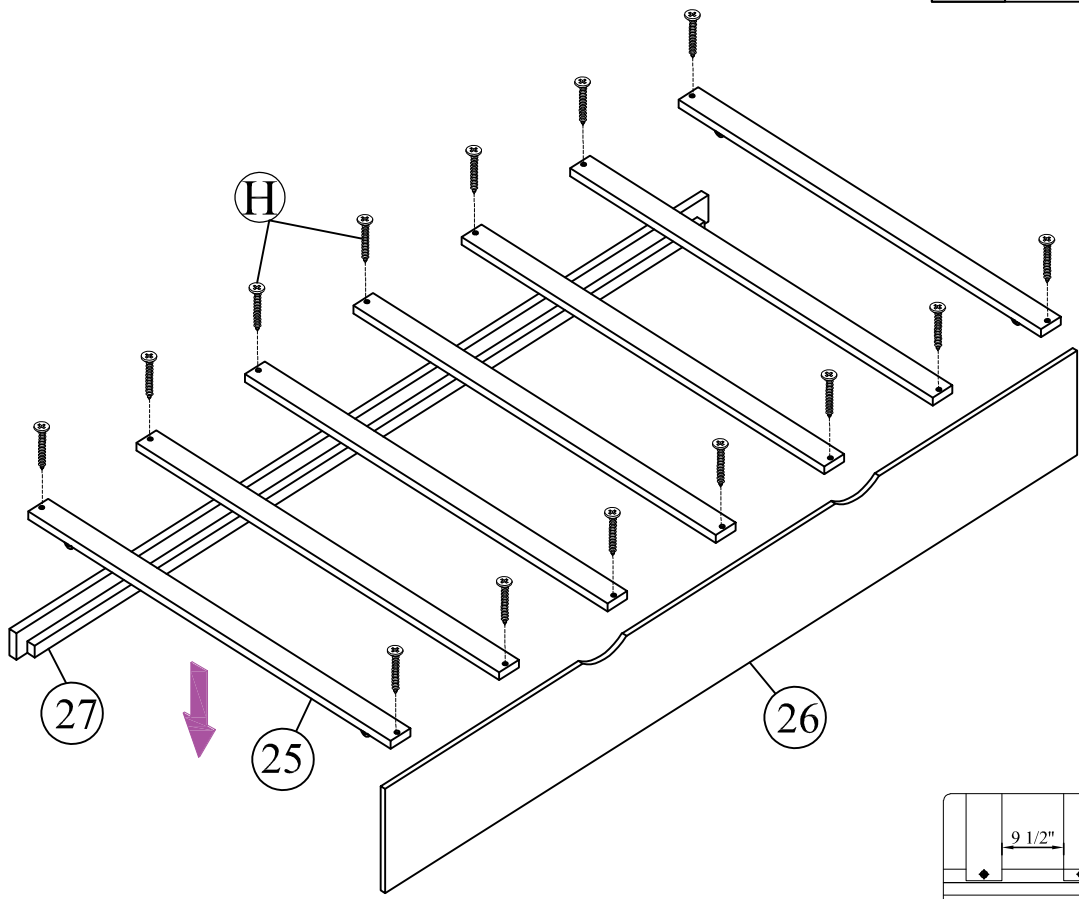


X2


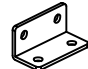
I		8pcs
M		4pcs

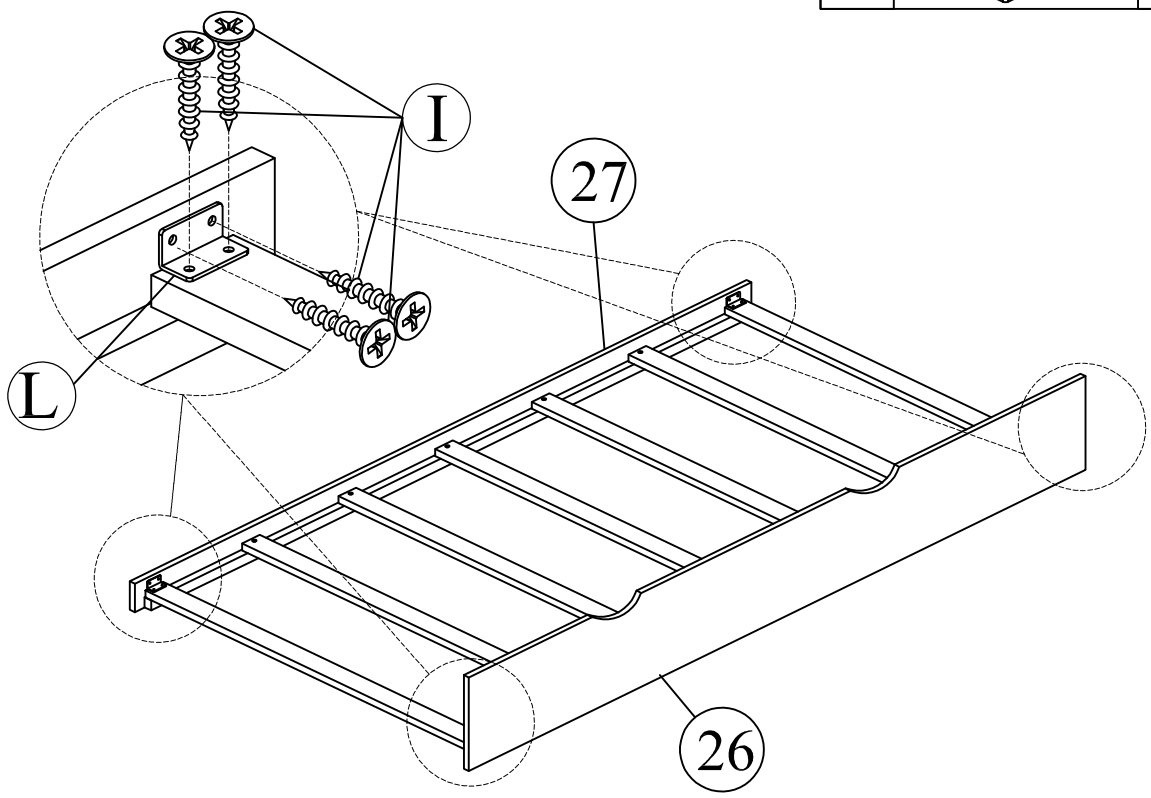
STEP 19:

(H)		14pcs
-----	-------------------------------------------------------------------------------------	-------

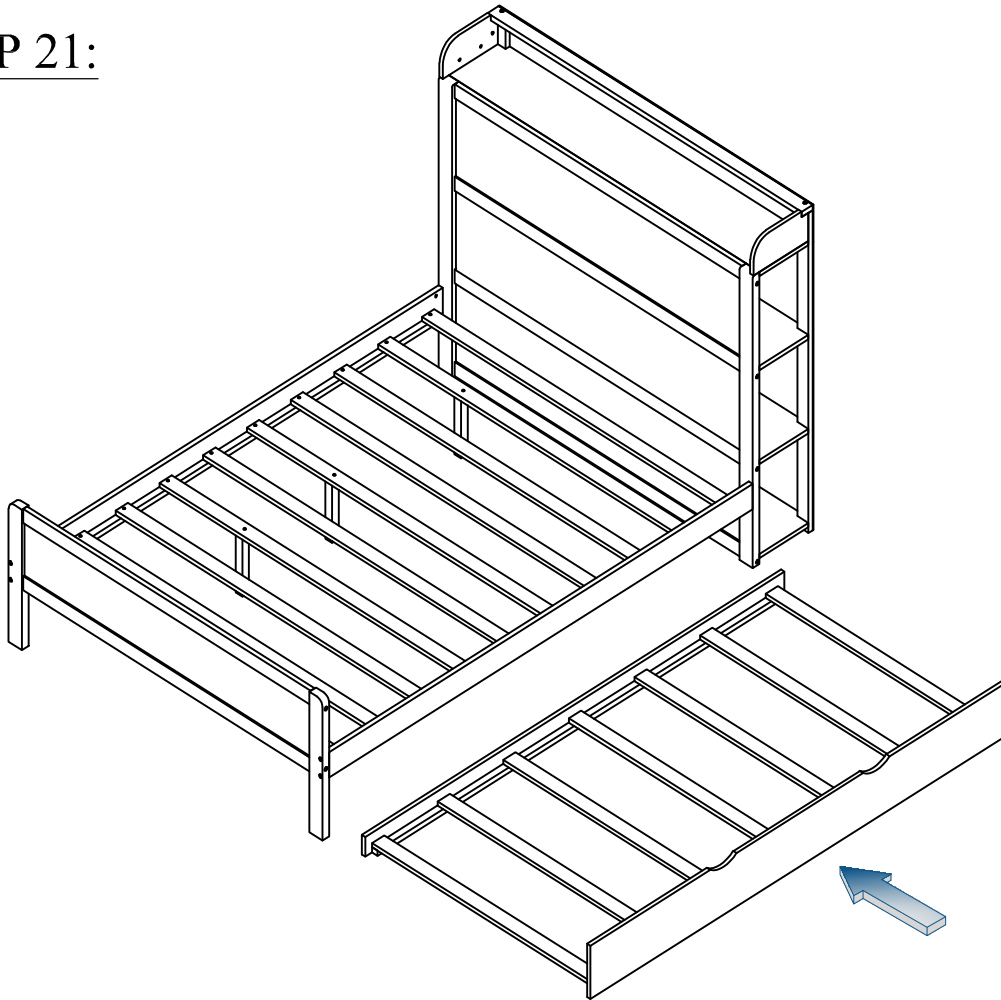


STEP 20:

(I)		16pcs
(L)		4pcs



STEP 21:



FINAL:

