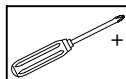
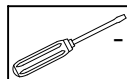


Assembly Instruction

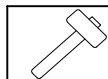
Upholstered Headboard Queen Bed with 4 Drawers



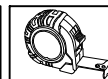
REQUIRED
ASSEMBLY TOOLS



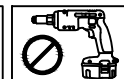
REQUIRED
ASSEMBLY TOOLS



REQUIRED
ASSEMBLY TOOLS



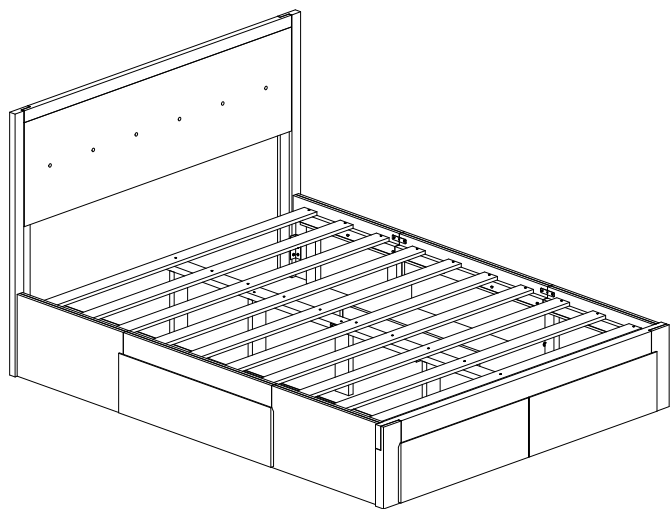
REQUIRED
ASSEMBLY TOOLS



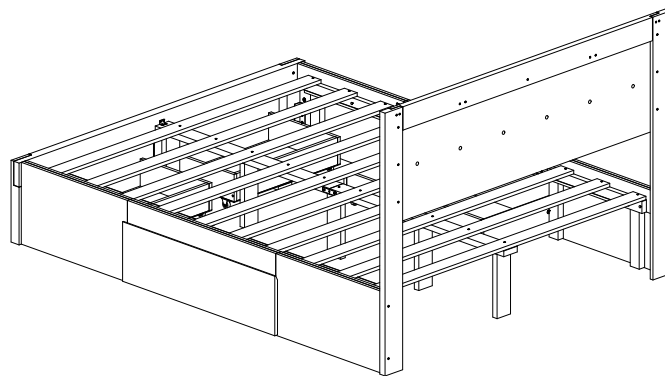
NO POWER
TOOLS NEEDED



2 PERSON
ASSEMBLY



FRONT VIEW

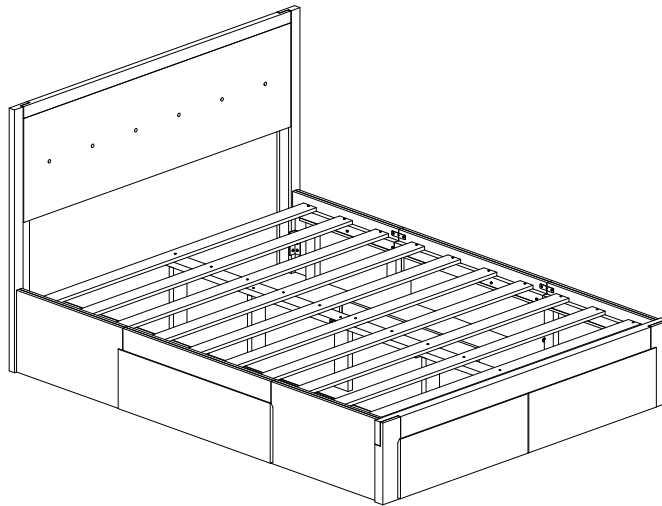


BACK VIEW

Product Dimensions: Height 47.83" x Width 83.77" x Depth 63.58"

WF317086 / WF317090

Assembly Instruction



SAFETY WARNINGS



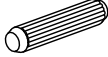

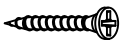


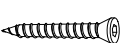






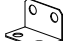





1. This bed is designed for use only mattress(es) meeting the following specifications on the bed:

Bed Type	Length	Width	Thickness
Queen Bed	80"	60"	12" max

2. Replacement parts, may be obtained from any of our (COMPTREE. INC) dealers
3. Always use the recommended size mattresses or mattress supports, or both, to help prevent the likelihood of entrapment or falls.
4. Do not allow horseplay on or under the bed and prohibit jumping on the bed
5. Do not use substitute parts. Contact the manufacturer or dealer for replacement parts.
6. The use of water or sleep flotation mattresses is prohibited.
7. STRANGULATION HAZARD - Never attach or hang items to any part of the bed that are not designed for use with the bed; for example, but not limited to, hook, belts and jump ropes.
8. Keep these instructions for future reference

Assembly Instruction

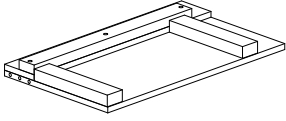
Hardware List - WF317086

<i>Hardware List</i>			
<i>No.</i>	<i>SHAPE</i>	<i>DESCRIPTION</i>	<i>Qty.</i>
1		8x30mm Wood Dowel	55Pcs
2		M3.5x14mm Screw	4Pcs
3		M3.5x20mm Screw	32Pcs
4		M4x28mm Screw	27Pcs
5		M4x32mm Screw	50Pcs
6		M6x40mm Screw	4Pcs
7		M6x50mm Screw	5Pcs
8		M6x70mm Screw	4Pcs
9		15MM Screw Cap	9Pcs
10		TP 10#x1/2" Screw	24Pcs
11		15MM Myfix Minifix	12Sets
12		17 MM MiniFix Cap	12Pcs
13		L-Bracket 26x16mm	1Pc
14		L-Bracket (100mmx30mm) (Black)	4Pcs
15		Straight Bracket	6Pcs
16		Rigid Caster(Ø29,H39mm)	16Pcs
17		Nail	28Pcs
18		M4 Allen Key	1Pc

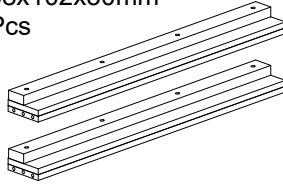
Assembly Instruction

Parts List - WF317086

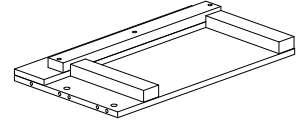
A Side Panel -L (Bcak)
600x350x30mm
1Pc



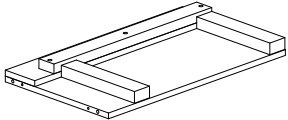
B Side Panel -Center
838x102x30mm
2Pcs



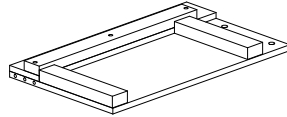
C Side Panel -L (Front)
600x350x30mm
1Pc



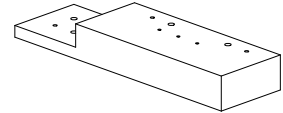
D Side Panel -R (Bcak)
600x350x30mm
1Pc



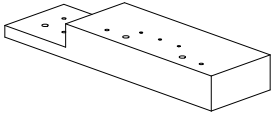
E Side Panel -R (Front)
600x350x30mm
1Pc



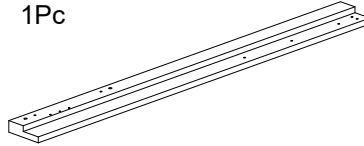
F Foot Stand Panel -L
350x100x45mm
1Pc



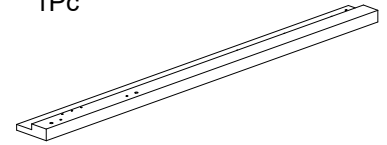
H Foot Stand Panel -R
350x100x45mm
1Pc



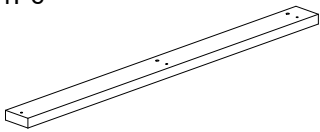
I Head Side Panel -L
1125x100x30mm
1Pc



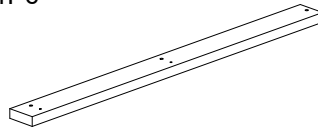
J Head Side Panel -L
1125x100x30mm
1Pc



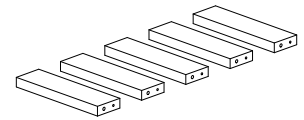
L Center Panel (Bcak)
985x90x25mm
1Pc



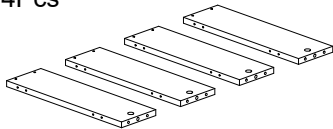
M Center Panel (Front)
985x90x25mm
1Pc



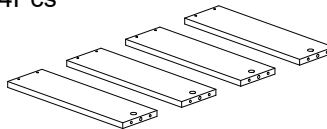
N Leg Panel
275x90x25mm
5Pcs



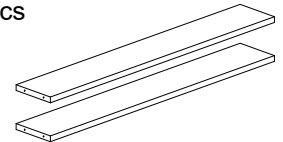
Q Drawer Side Panel -L
390x116x15mm
4Pcs



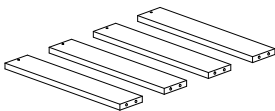
R Drawer Side Panel -R
390x116x15mm
4Pcs



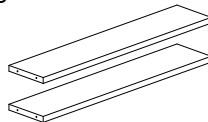
S Drawer Bcak Panel B
760x116x15mm
2Pcs



U Drawer Support Panel
390x76x15mm
4Pcs

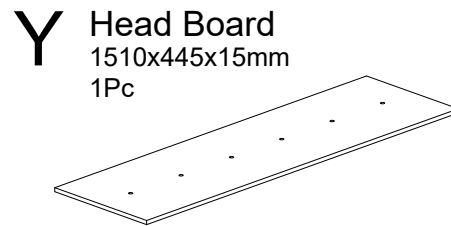
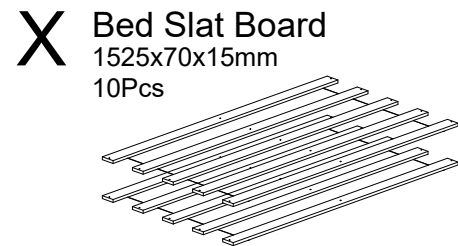
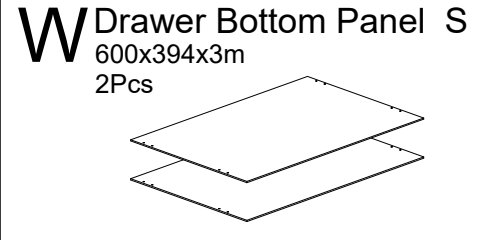
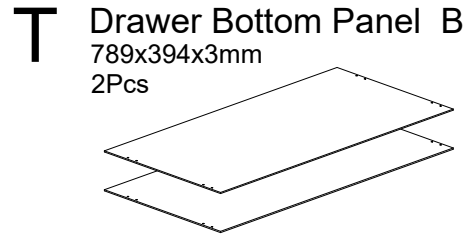
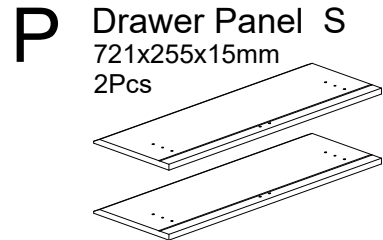
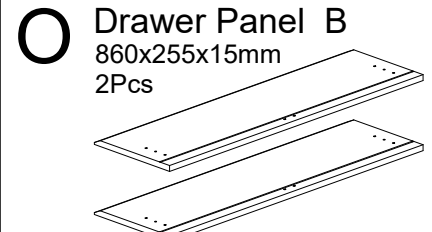
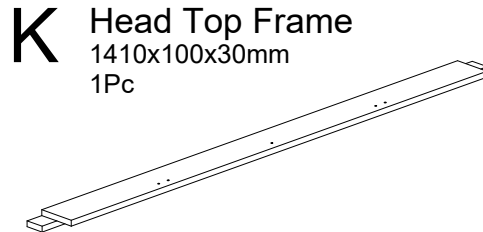
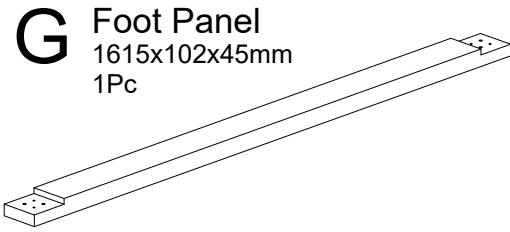


V Drawer Back Panel S
570x116x15mm
2Pcs



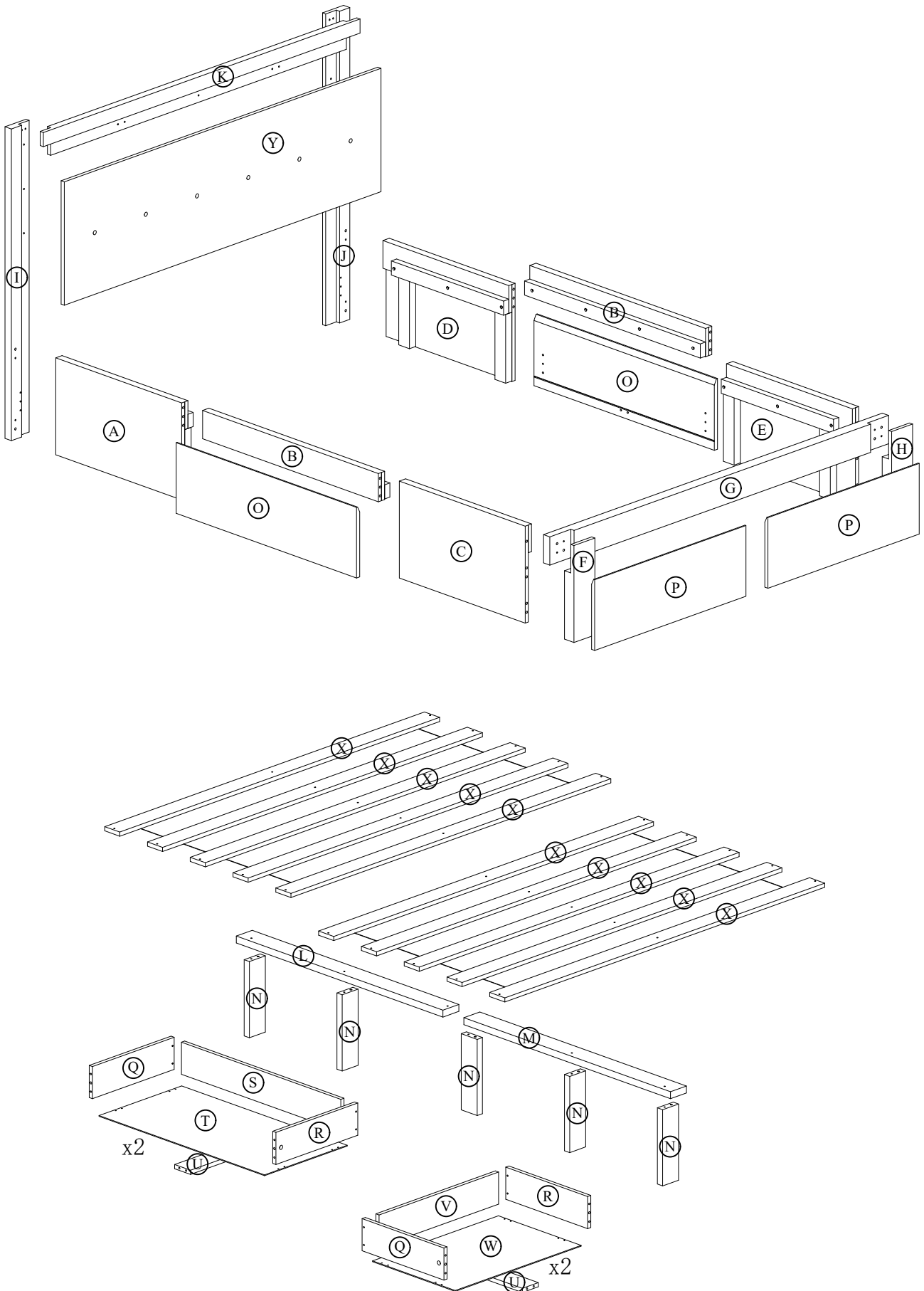
Assembly Instruction

Parts List - WF317090



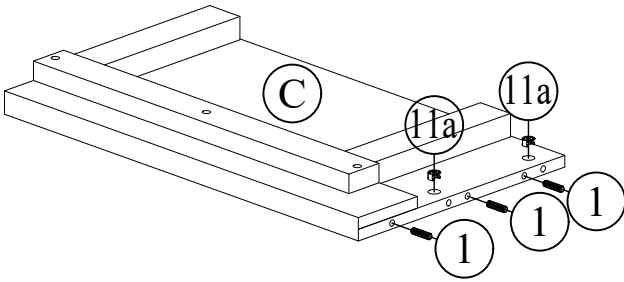
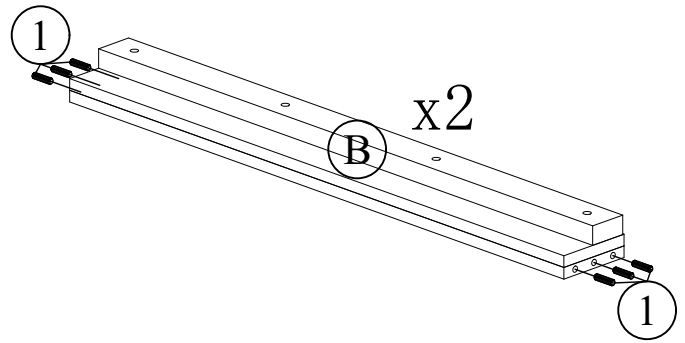
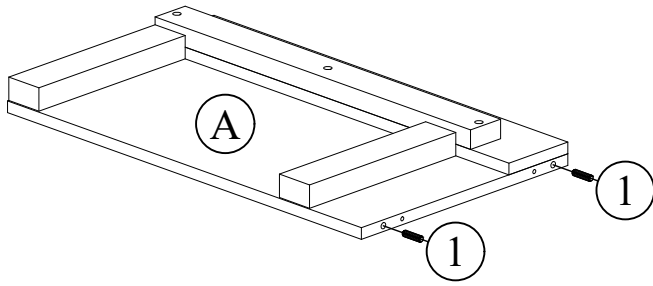
Assembly Instruction

The Breakdown

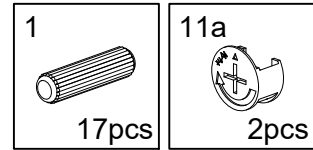


Assembly Instruction

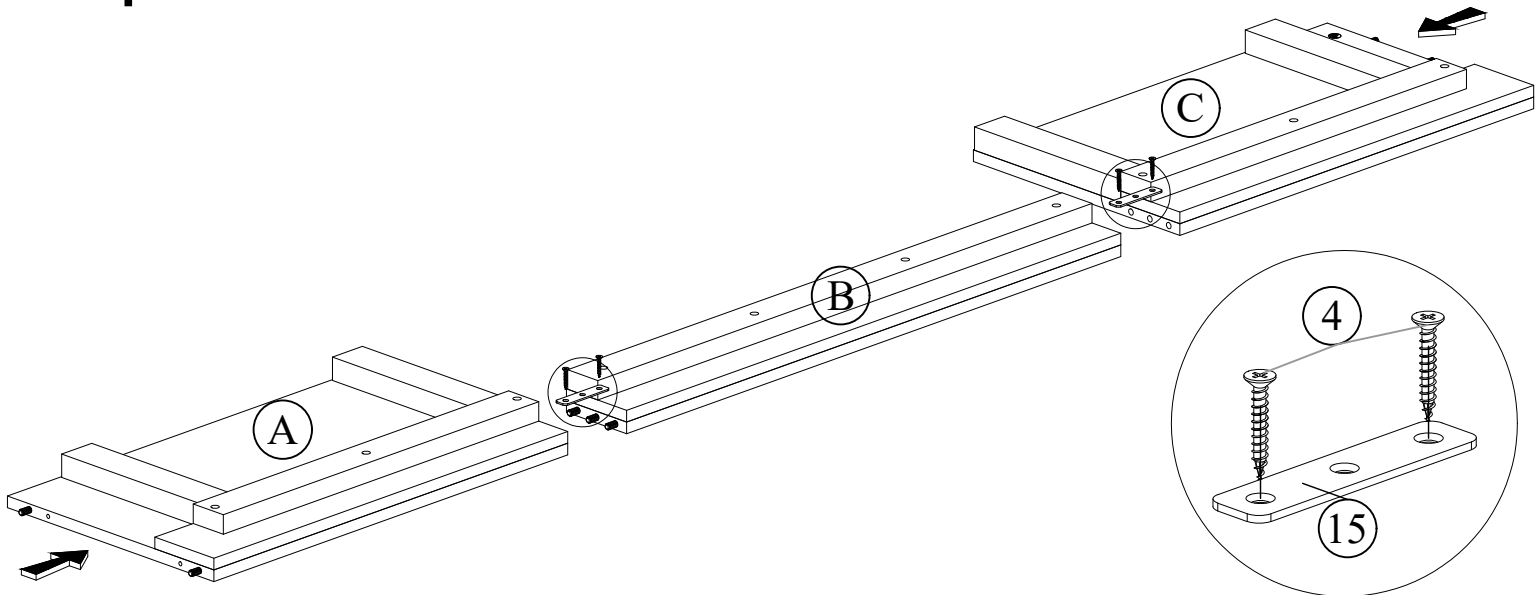
Step 1



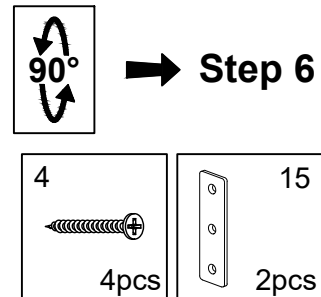
- Install the 8x30mm wood dowel (1) into Panel (A), (B), and (C) as shown in the diagram.
- Attach the mini fix nuts (11a) to Panel (C) as indicated in the diagram.



Step 2

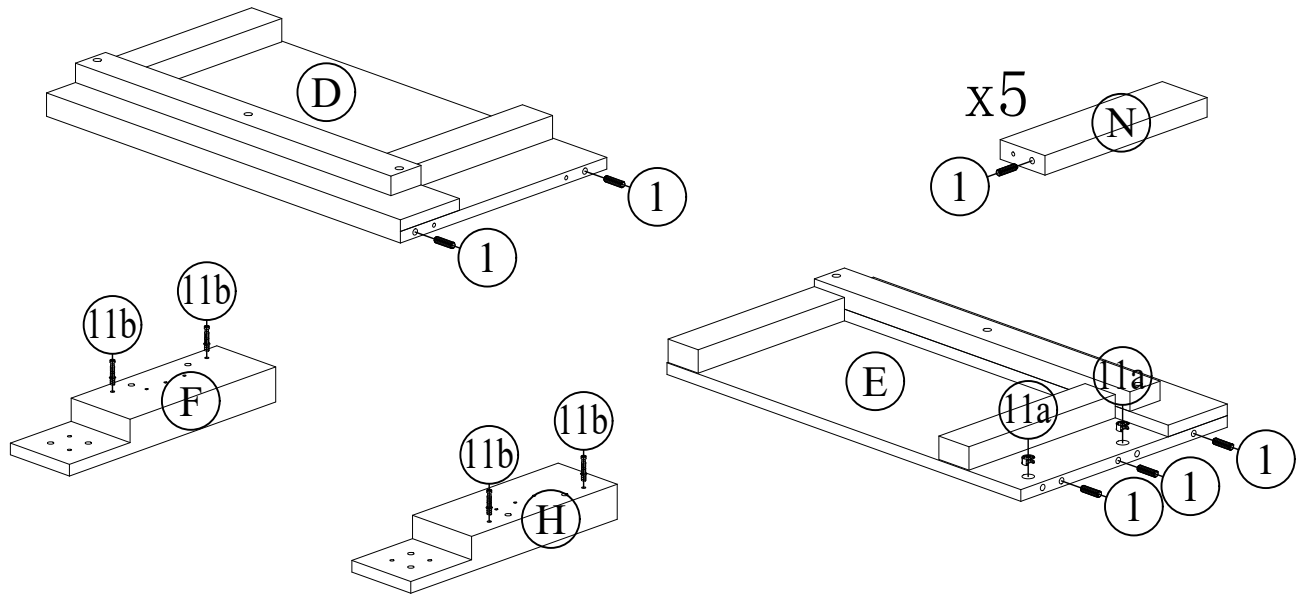


- Start by assembling Panels (A), (B), and (C) as shown in the diagram.
- The Straight Bracket (15), use the M4x28mm screws (4) to attach them to the left and right holes. Use these screws to secure the connection gap between Panel (A), (B), and (C) as indicated in the diagram.

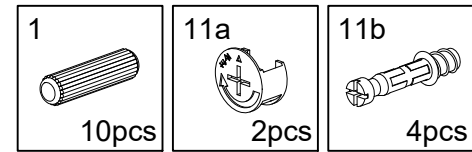


Assembly Instruction

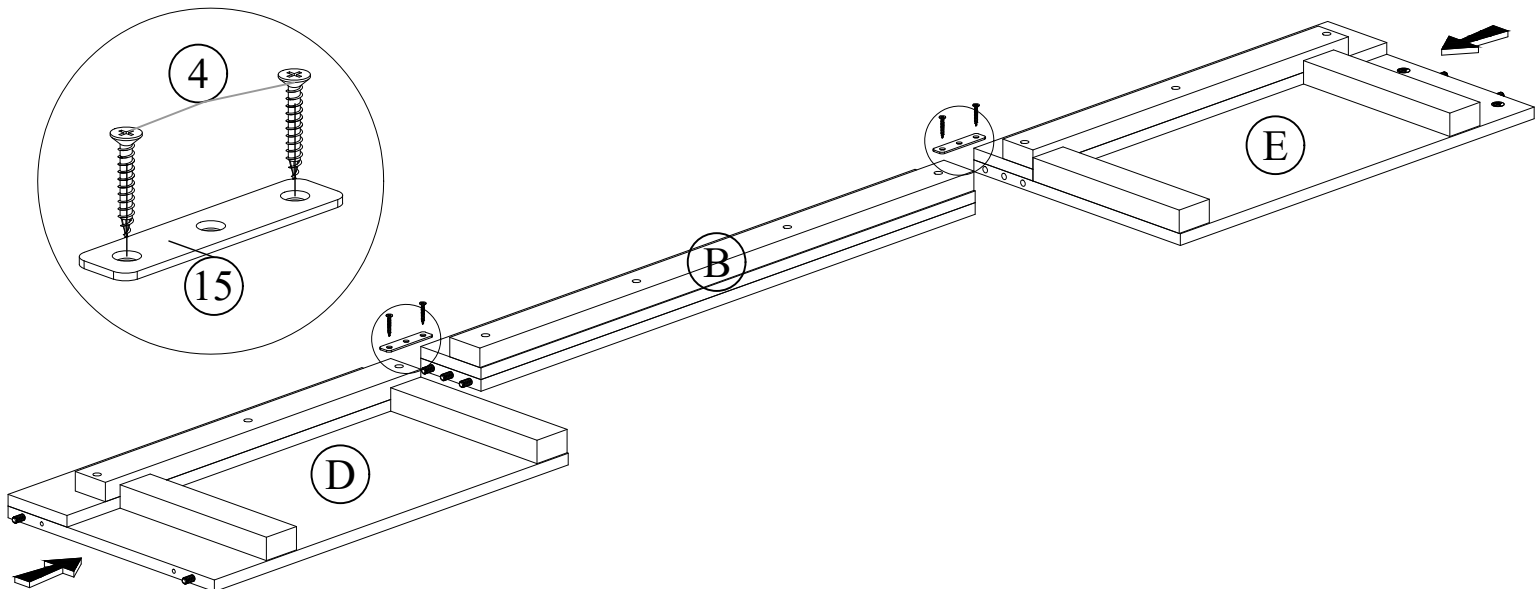
Step 3



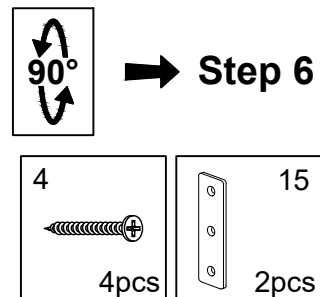
- Install the 8x30mm wood dowel (1) into Panel (D), (E), and (N) as shown in the diagram.
- Attach the mini fix nuts (11a) to Panel (E) as indicated in the diagram.
- Attach the mini fix screws (11b) to Panel (F) and (H) as indicated in the diagram.



Step 4

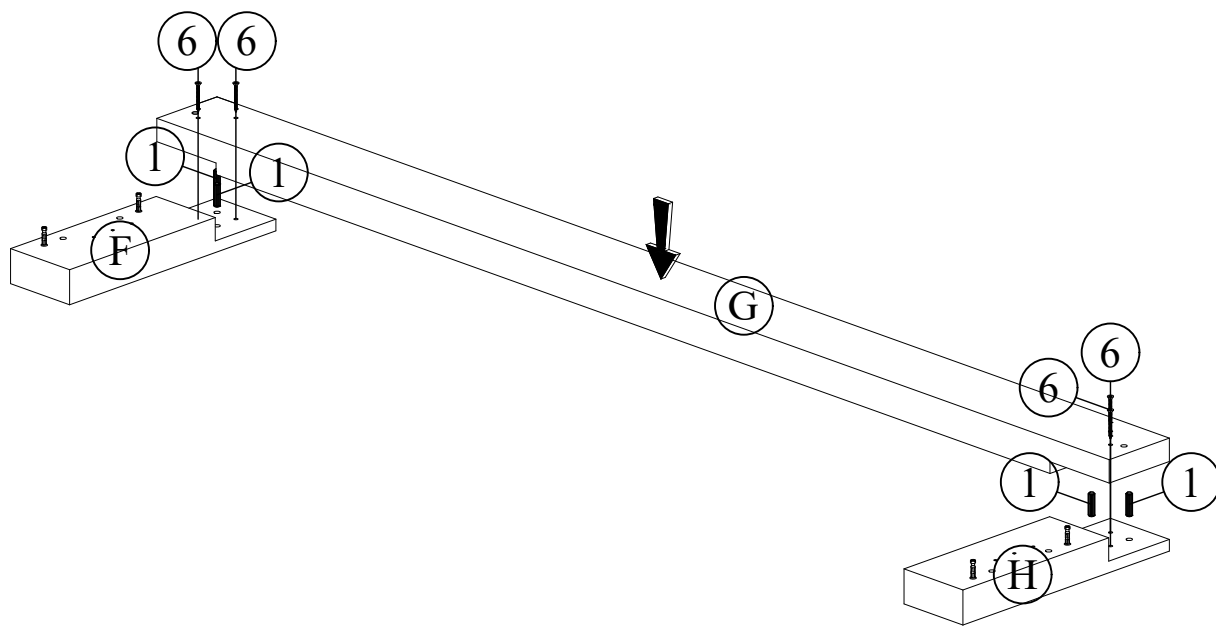


- Start by assembling Panels (A), (B), and (C) as shown in the diagram.
- The Straight Bracket (15), use the M4x28mm screws (4) to attach them to the left and right holes. Use these screws to secure the connection gap between Panel (A), (B), and (C) as indicated in the diagram.

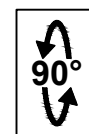


Assembly Instruction

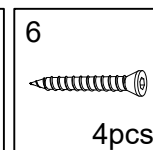
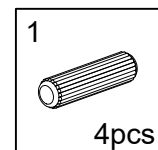
Step 5



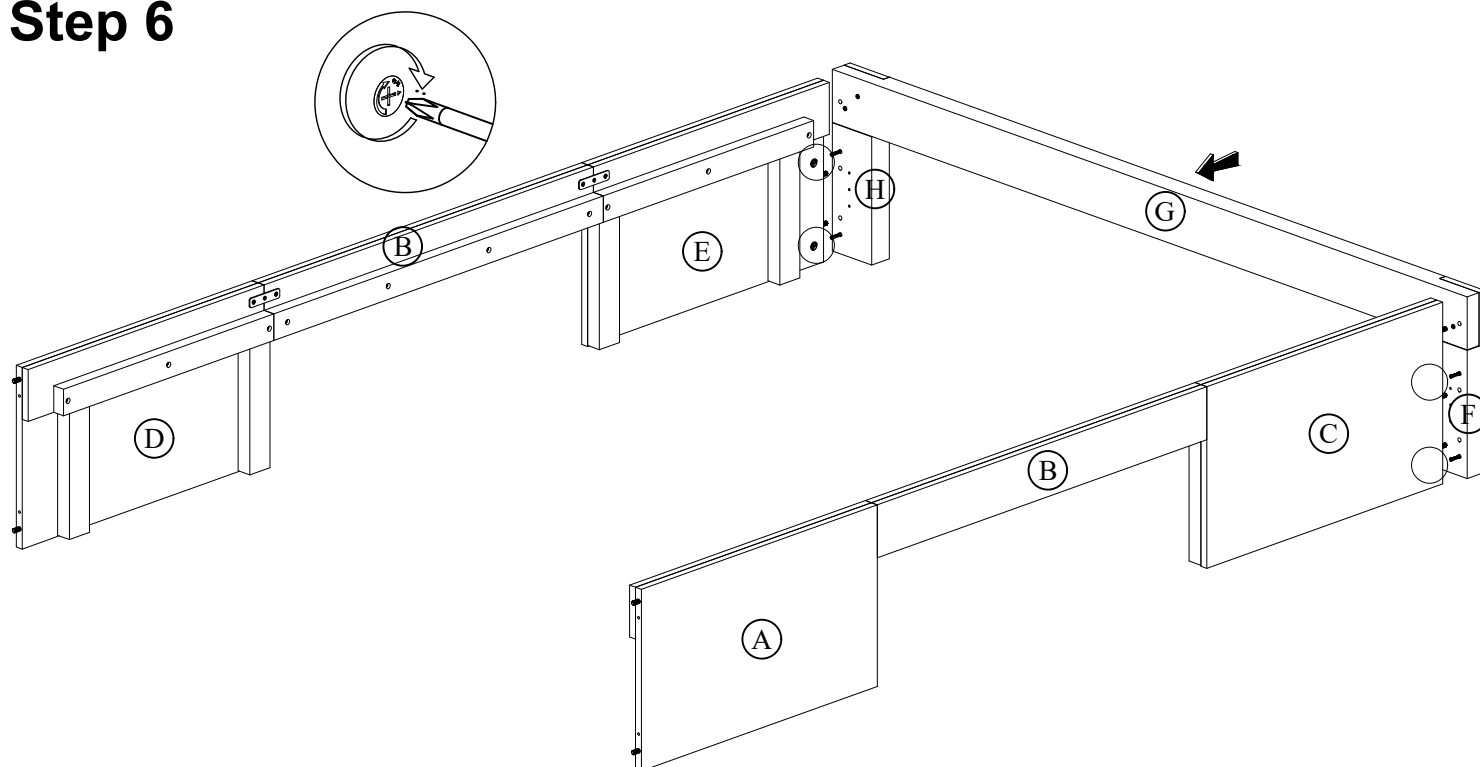
- Use 8x30mm wood dowels (1) to assemble Panels (F), (G), and (H) as shown in the diagram.
- Secure Panels (F), (G), and (H) in place using M6x40mm (6) screws.



→ Step 6



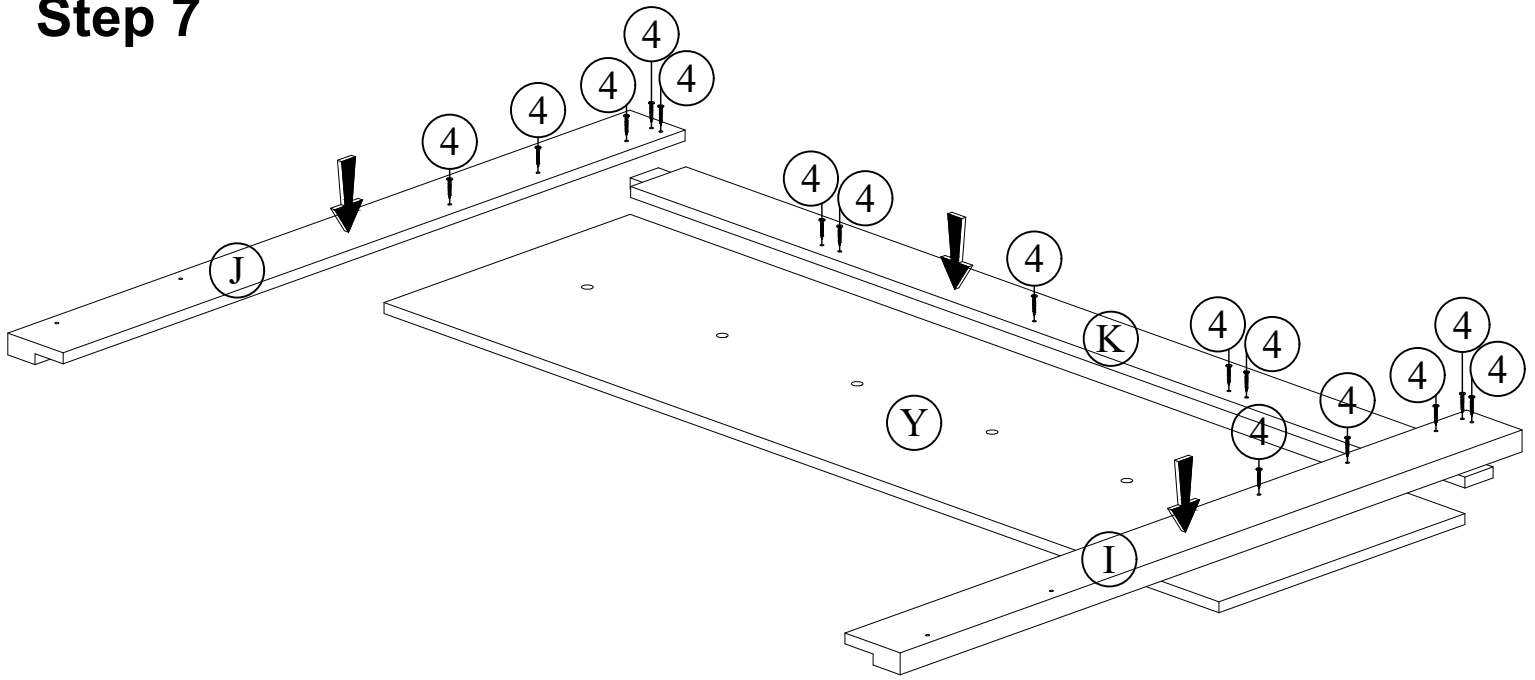
Step 6



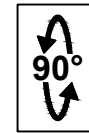
- Begin by assembling Panel (C), (E), Panel (F), and (H) together as shown in the diagram.
- Rotate the mini fix nuts to tighten the mini fix screws, as indicated in the diagram.

Assembly Instruction

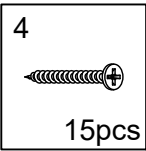
Step 7



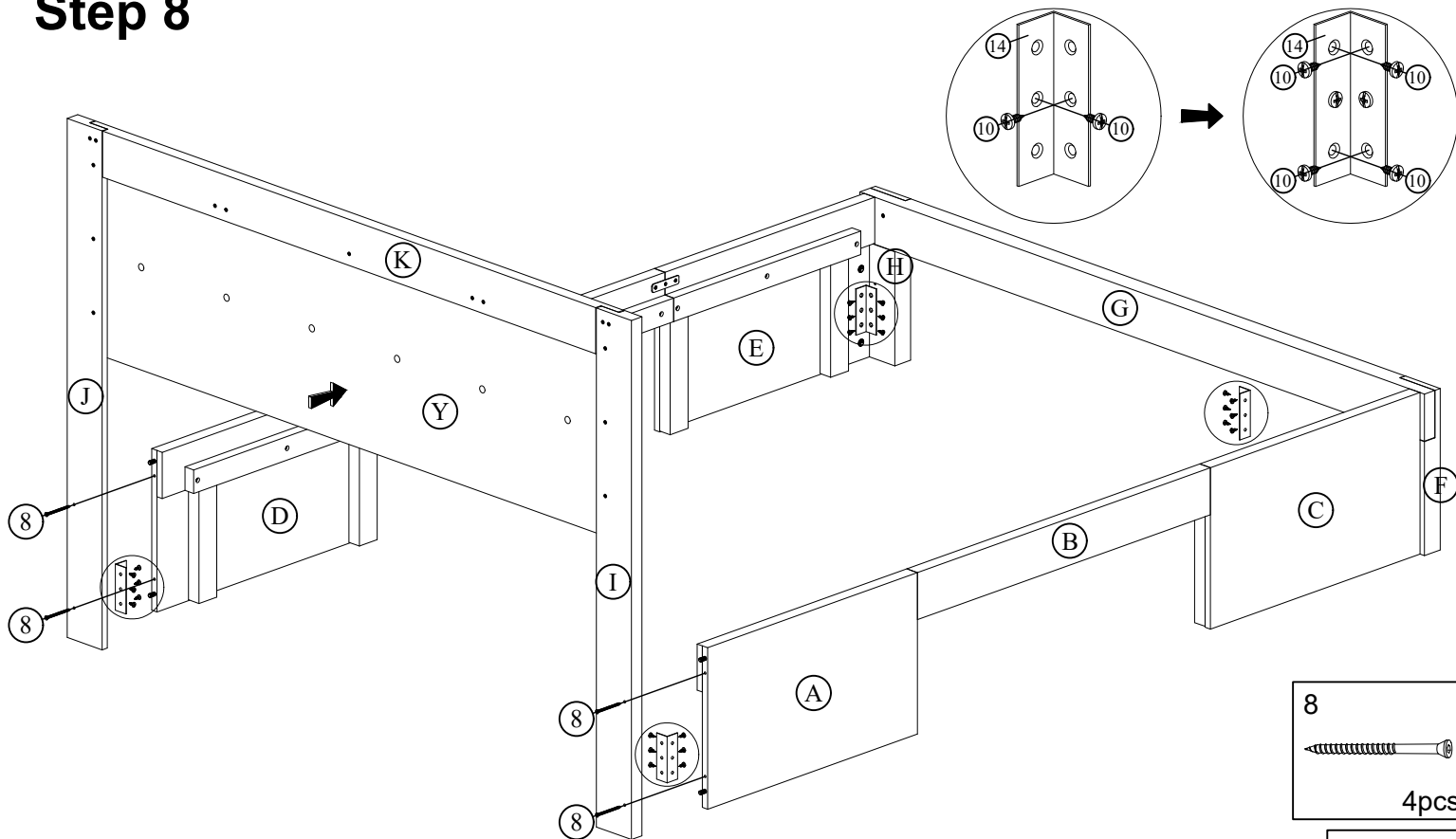
- Assemble Panel ①, ②, ③, and ④ together.
- Use M4X28MM Screws ④ to secure them tightly.



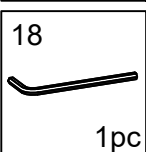
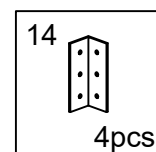
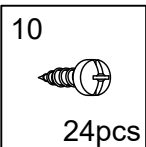
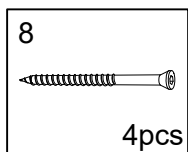
→ Step 8



Step 8

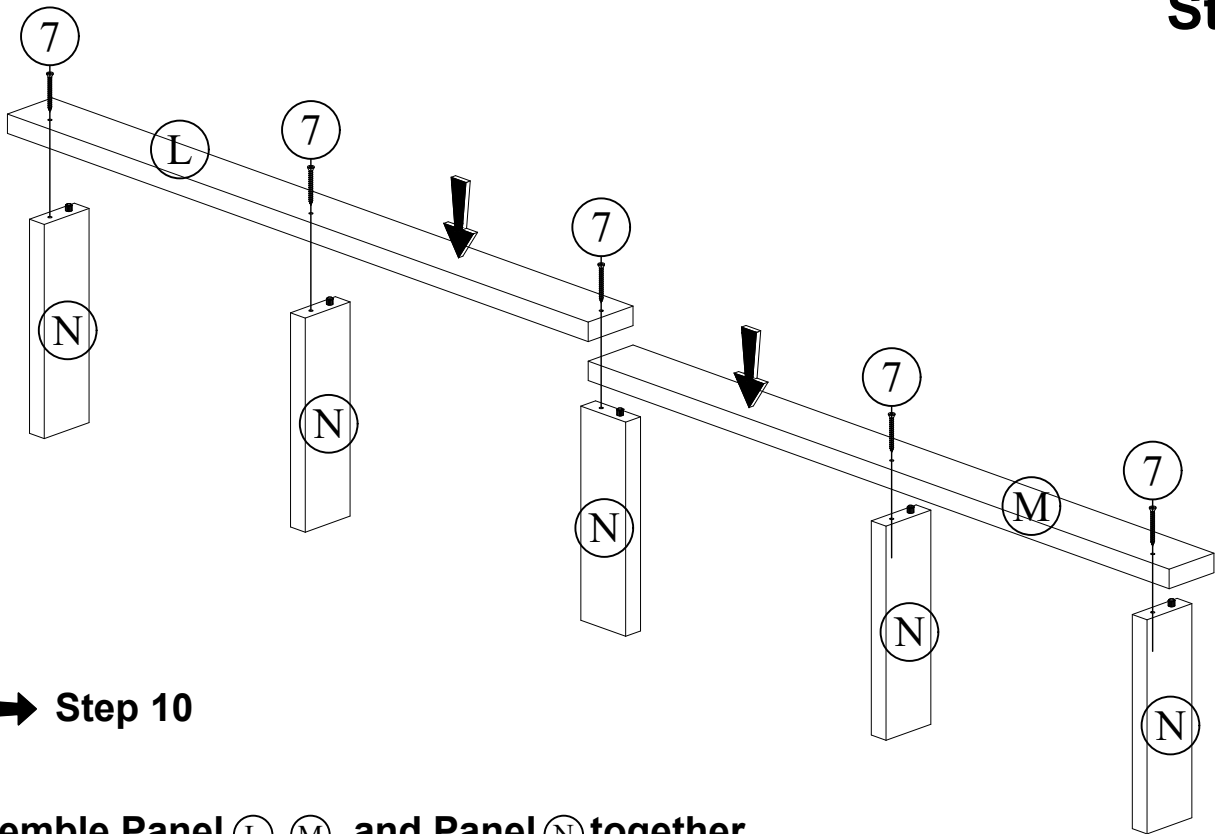


- Assemble Panel ①, ②, and Panel ③, ④ together.
- Use the Allen Key ⑰ to tighten the M6X70MM Screws ⑧ securely.
- Install L-Brackets ⑭ on each of the four corners of ①, ③, ②, ④, ⑤, ⑥, ⑦, ⑧. Follow the diagram to install TP10#1/2" Screws ⑩ in the specified sequence.



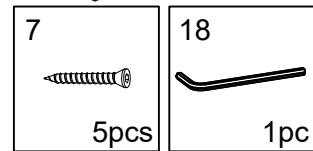
Assembly Instruction

Step 9

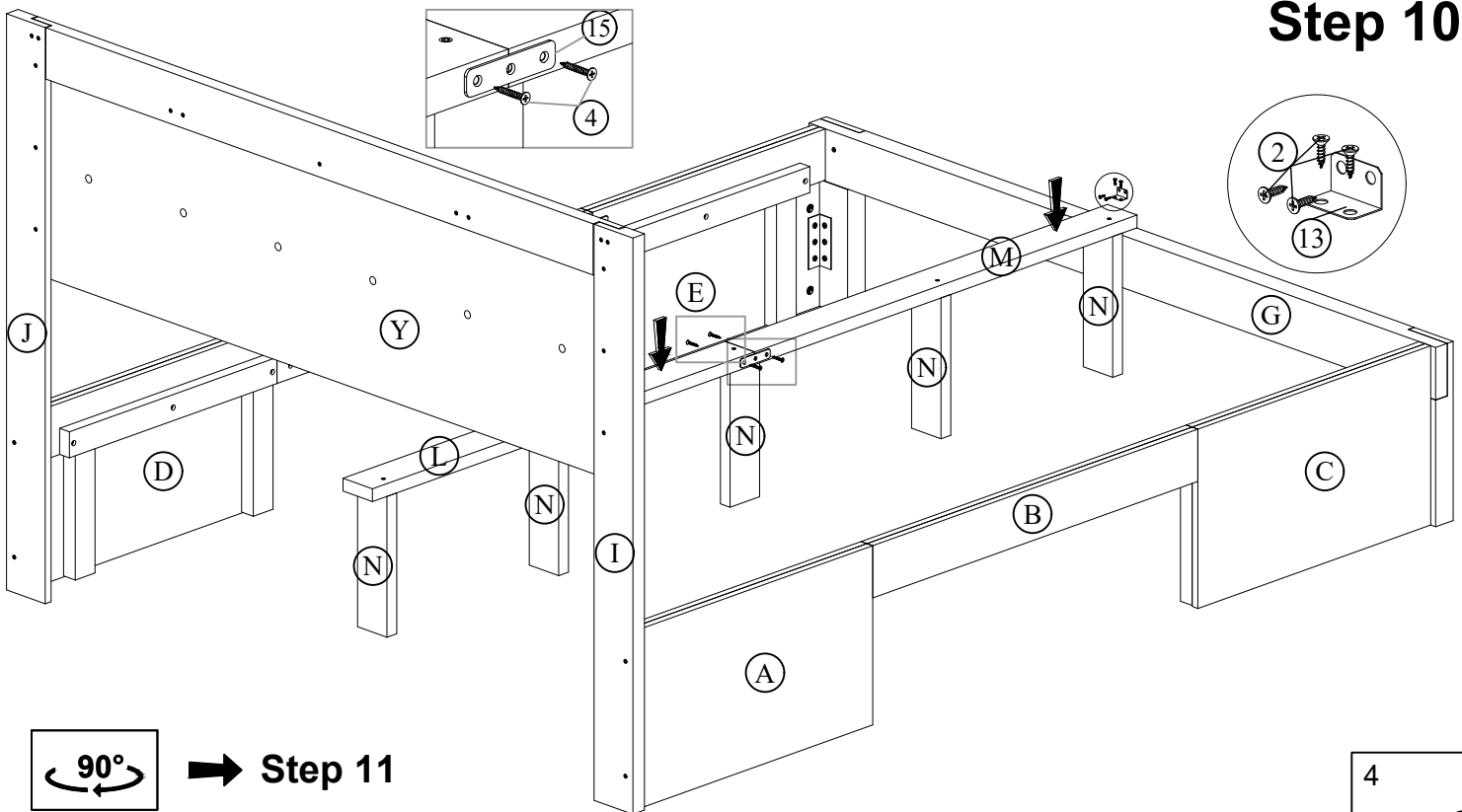


90° → Step 10

- Assemble Panel (L), (M), and Panel (N) together.
- Use the Allen Key (7) to tighten the M6X50MM Screws (7) securely.

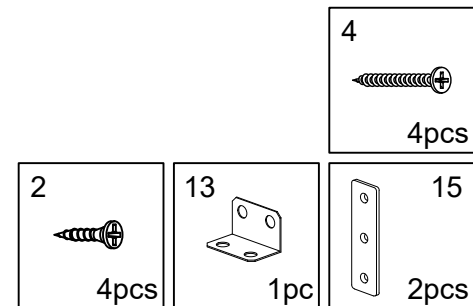


Step 10



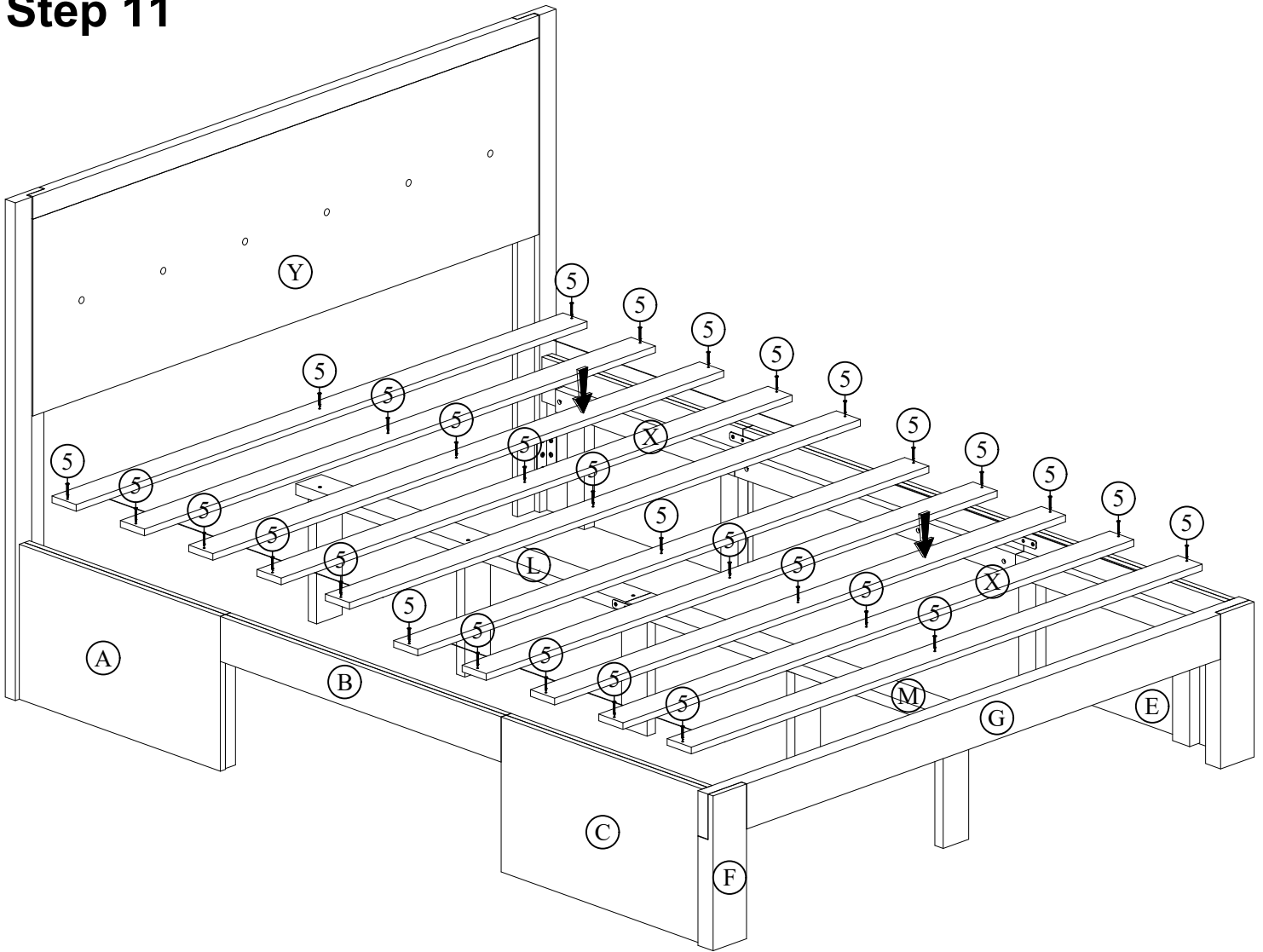
90° → Step 11

- Use L-Brackets (13) and M3.5x14mm Screws (2) to secure Panel (M) and Panel (G) as shown in the diagram.
- Put the Straight Bracket (15) at side of Panel (L) & (M), use the M4x28mm screws (4) to attach them as indicated in the diagram.

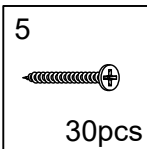


Assembly Instruction

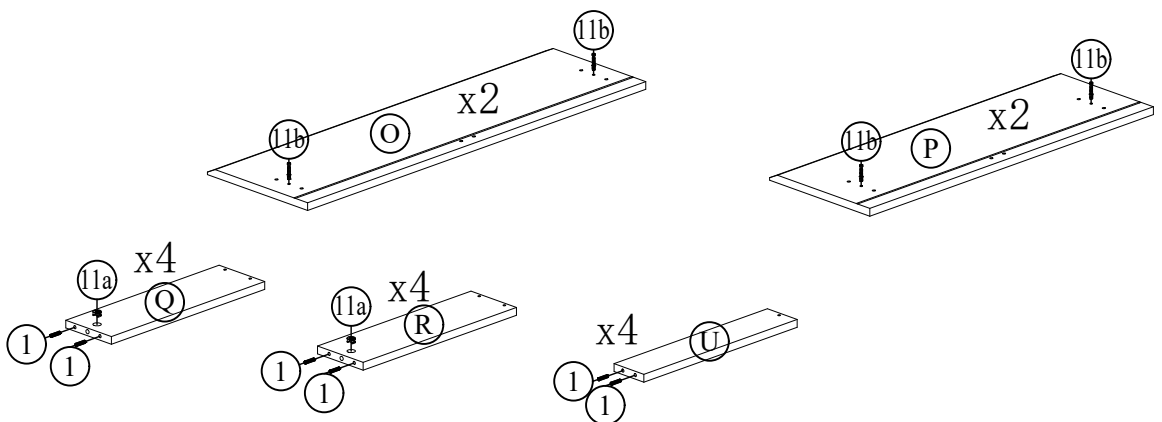
Step 11



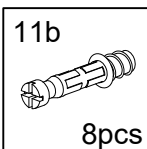
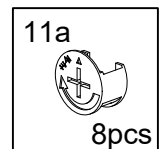
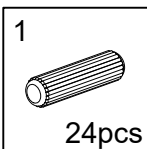
- Secure all Panel (X) using M4x32mm Screws (5) as shown in the diagram.



Step 12

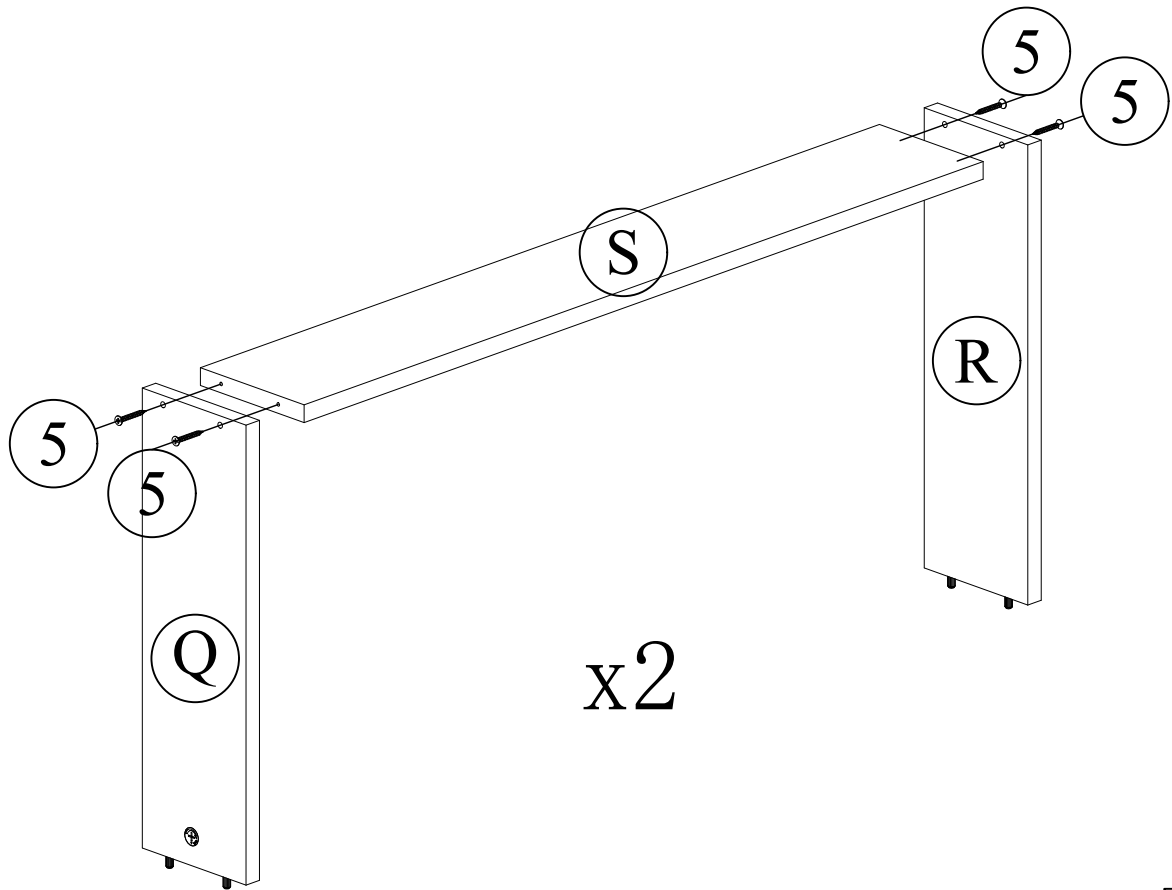


- Install 8x30mm wood dowels (1) in Panel (Q), (R), and Panel (U) as shown in the diagram.
- Install mimi fix nuts (11a) in Panel (Q) and Panel (R) as shown in the diagram.
- Install mimi fix screws (11b) in Panel (O) and Panel (P) as shown in the diagram.

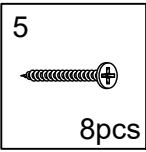


Assembly Instruction

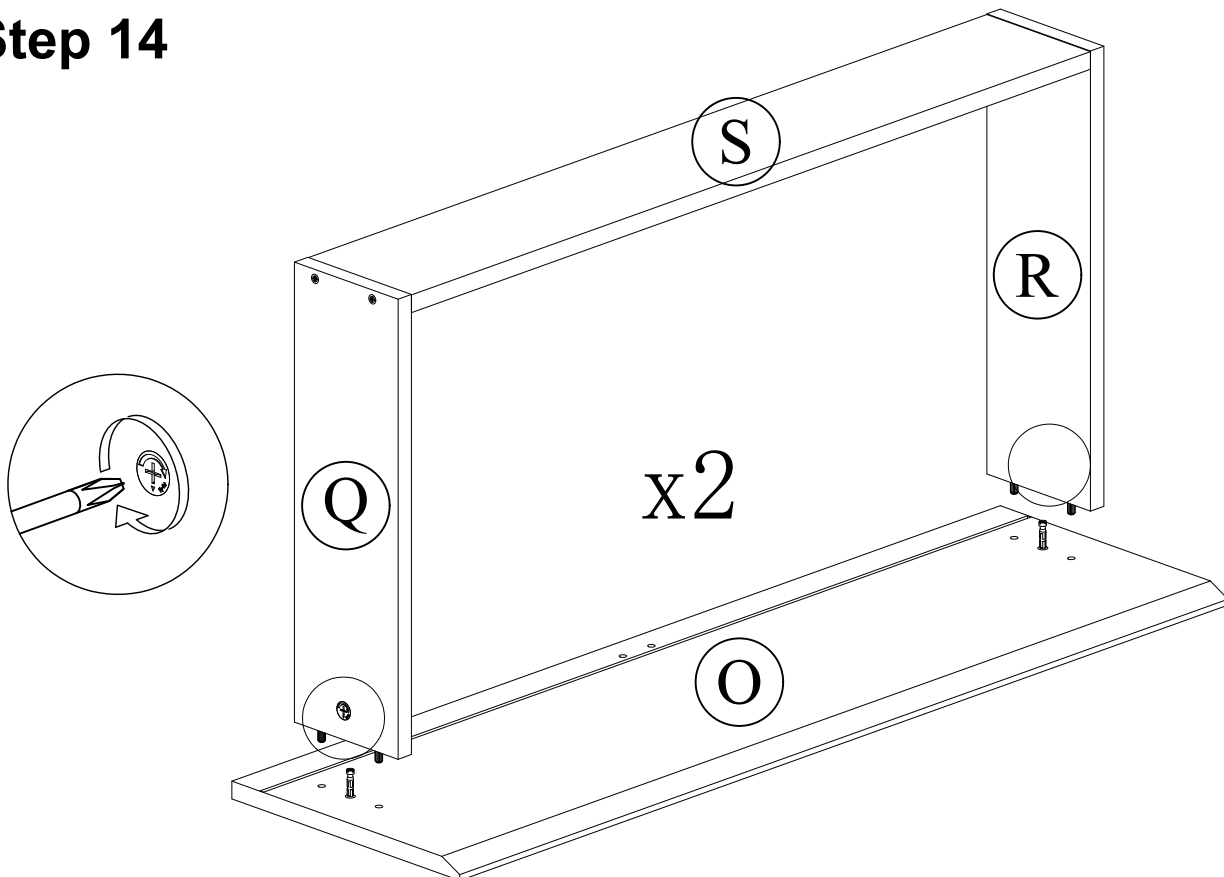
Step 13



- Use M4x32mm screws (5) to fasten Panel (Q), (S), and Panel (R) together as shown in the diagram.



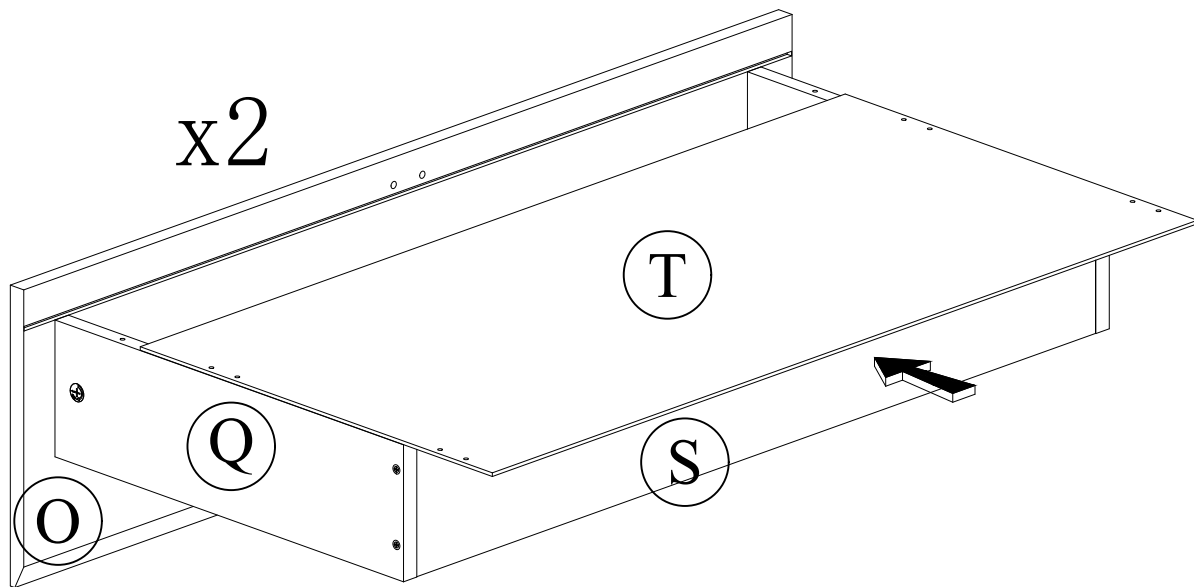
Step 14



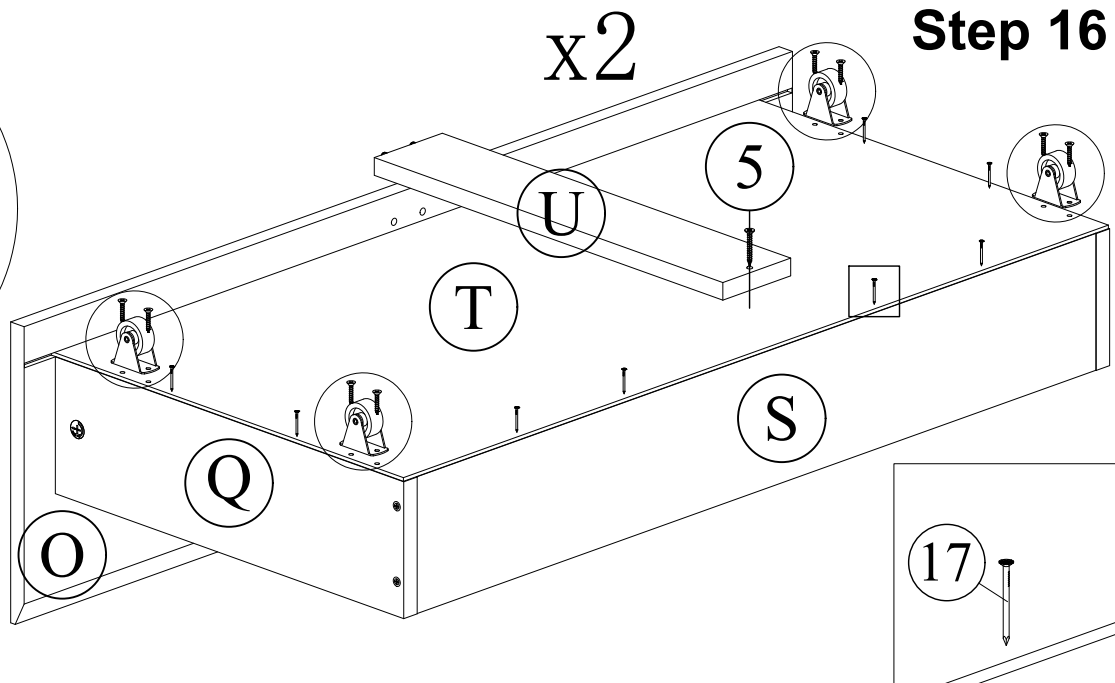
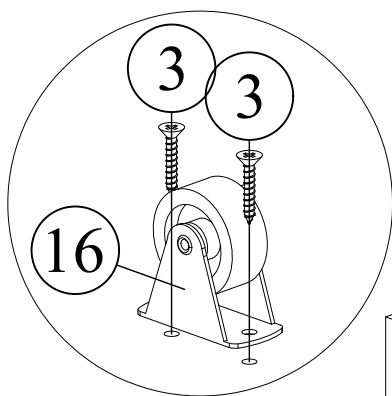
- Assemble Panel (Q), (R), and Panel (O) together, then rotate the mimi fix nuts to secure the mimi fix screws as shown in the diagram.

Assembly Instruction

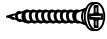


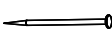
Step 15



- Insert Panel ① into the groove of Panel ②, ensuring it is evenly positioned above Panel ③, ④, and ⑤.

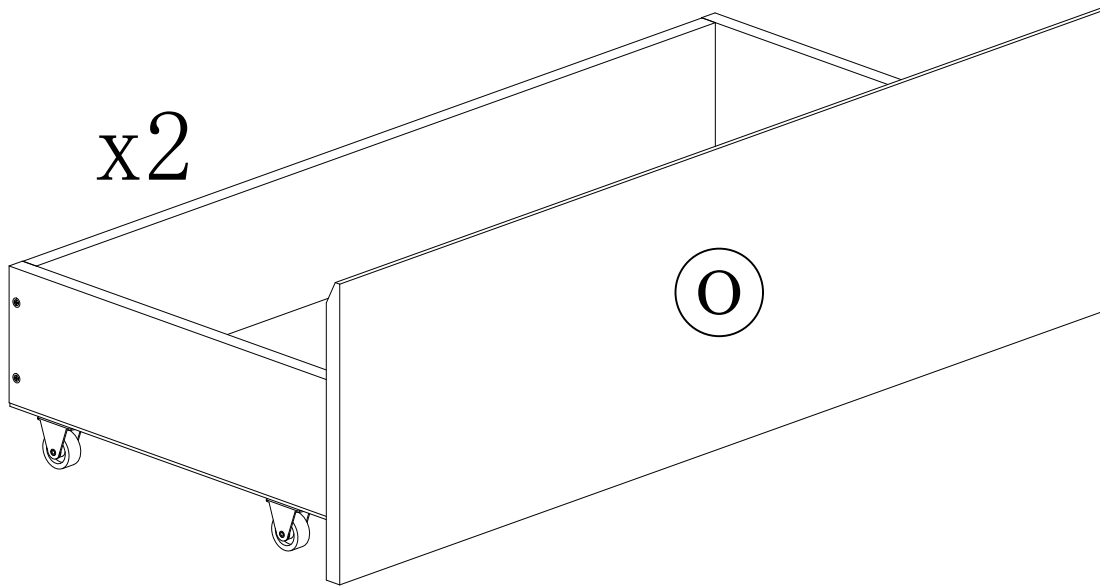


- Nail ① around Panel ②, as shown in the diagram. Maintain a gap of about 100mm between each pair of nails.
- Assemble Panel ③ onto Panel ② and secure Panel ② and Panel ④ with M4x32mm Screws ⑤.
- Align the Rigid Caster ⑥ with the marked holes and install using M3.5x20mm ⑦ Screws, as illustrated.

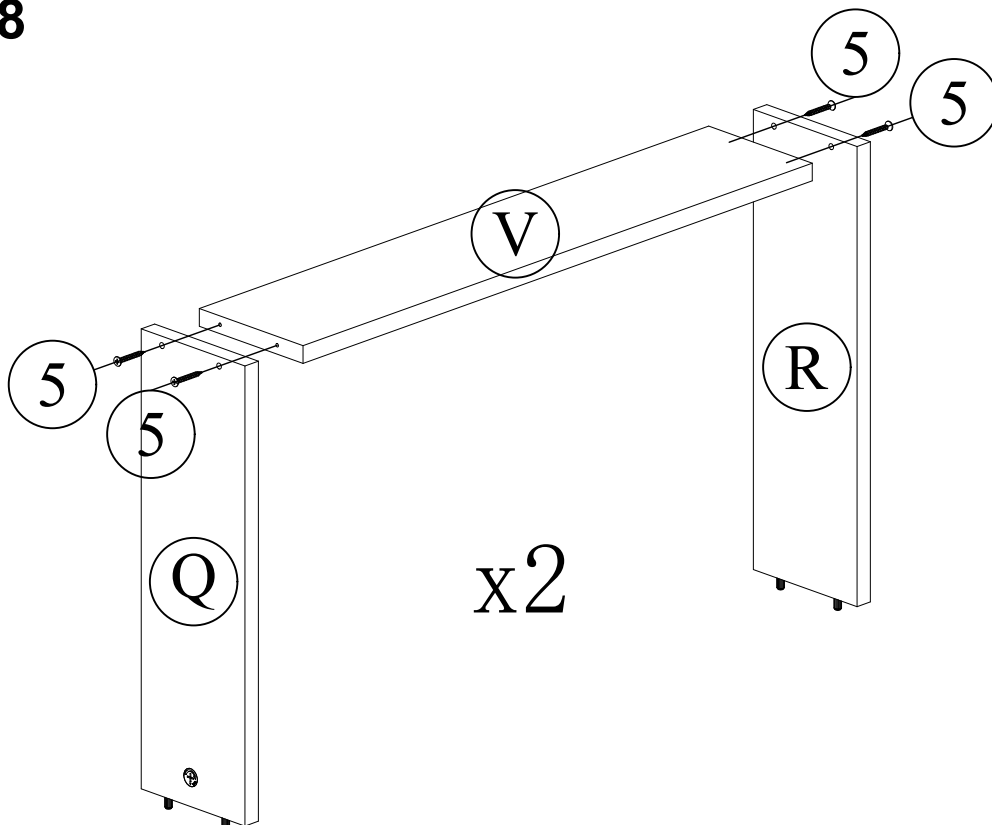
3  16pcs	5  2pcs
16  8pcs	17  16pcs

Assembly Instruction

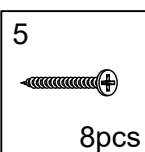
Step 17



Step 18

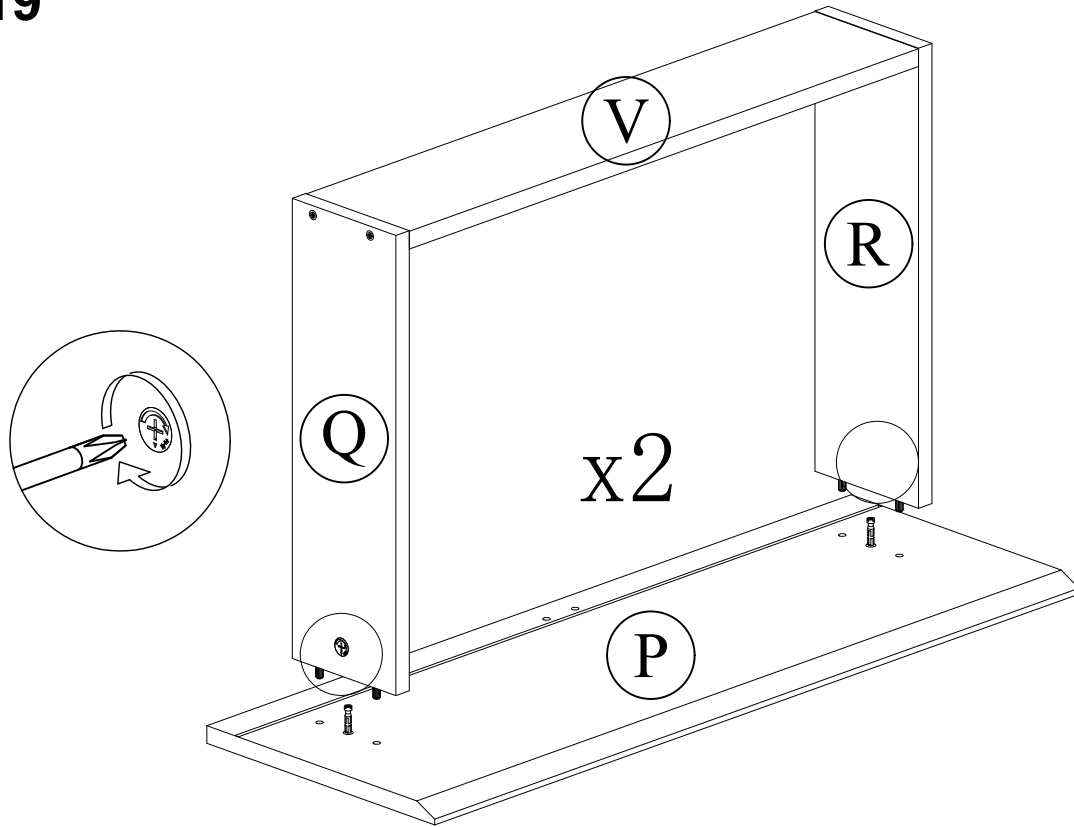


- Use M4x32mm screws (5) to fasten Panel (Q), (V), and Panel (R) together as shown in the diagram.



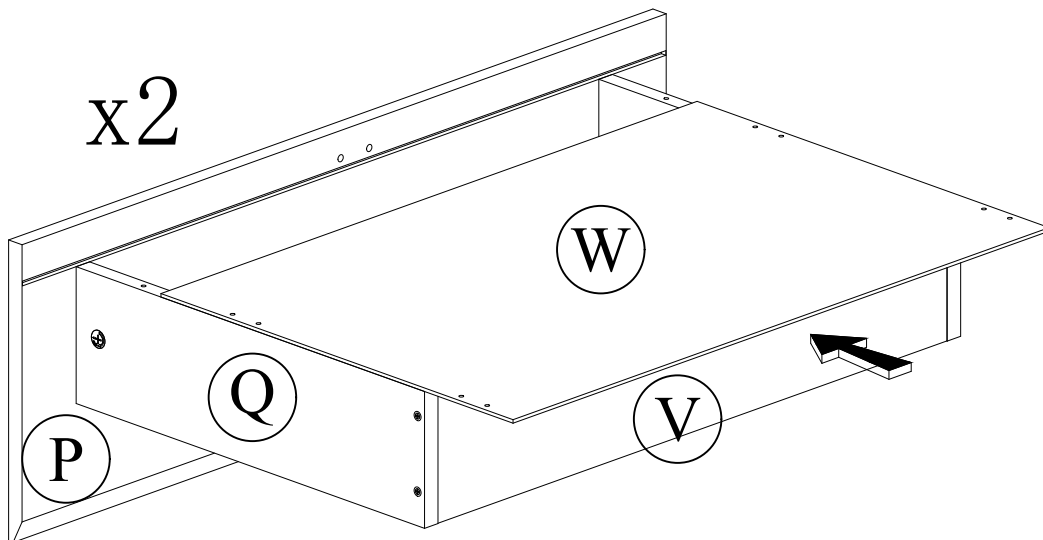
Assembly Instruction

Step 19



- Assemble Panel **Q**, **R**, and Panel **P** together, then rotate the mimi fix nuts to secure the mimi fix screws as shown in the diagram.

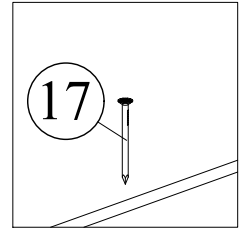
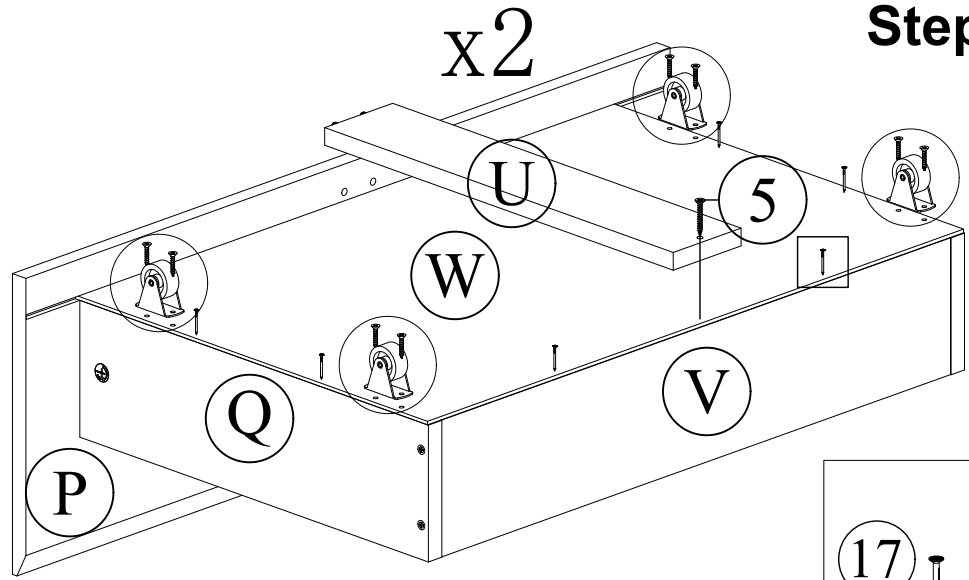
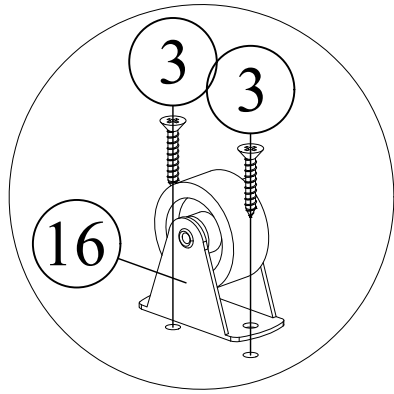
Step 20



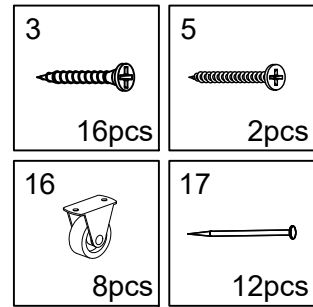
- Insert Panel **W** into the groove of Panel **P**, ensuring it is evenly positioned above Panel **Q**, **R**, and **V**.

Assembly Instruction

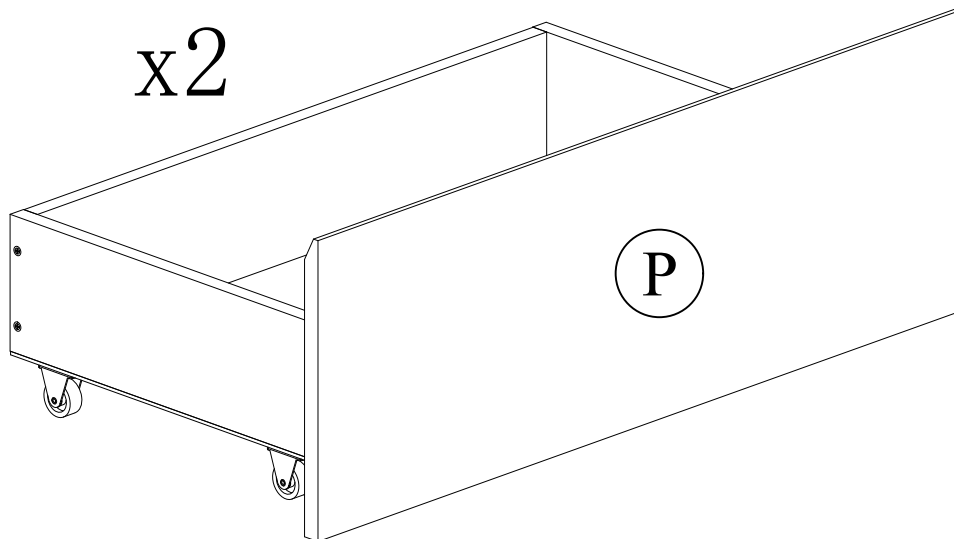
Step 21



- Nail ⑰ around Panel ⑰, as shown in the diagram. Maintain a gap of about 100mm between each pair of nails.
- Assemble Panel ⑰ onto Panel ⑰ and secure Panel ⑰ and Panel ⑰ with M4x32mm Screws ⑤.
- Align the Rigid Caster ⑰ with the marked holes and install using M3.5x20mm ③ Screws, as illustrated.

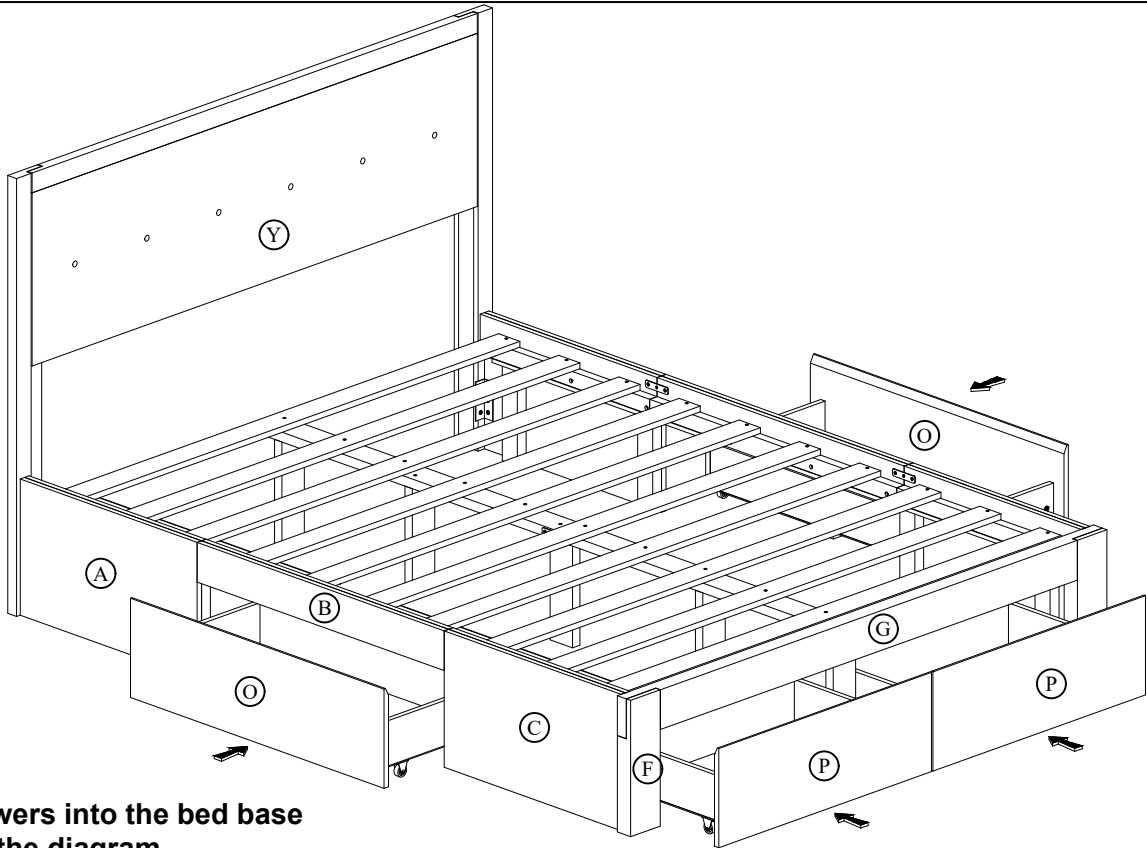


Step 22



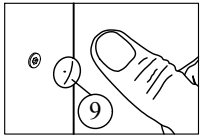
Assembly Instruction

Step 23

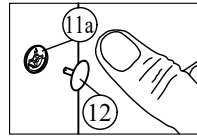


- Place all drawers into the bed base as shown in the diagram.

Step 24



* Cover all the screw (7)(8)'s head with the pvc cap provided by pushing the cover's stem onto the hole of screw head.



* Cover all the mini fix (nuts) (11a)'s head with the pvc cap provided by pushing the cover's stem onto the hole mini fix (nuts).

Complete

