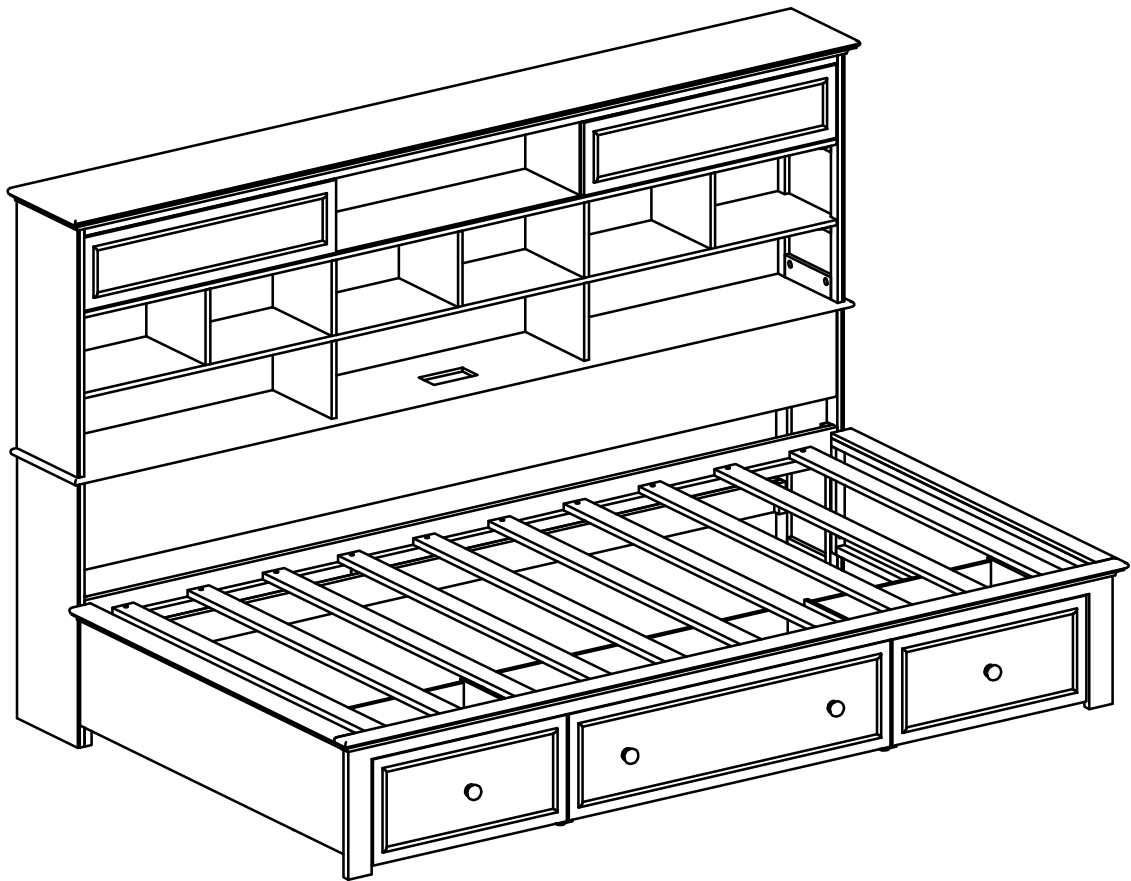


ASSEMBLY INSTRUCTION

ITEM : WF318133 / 318134 / 318135

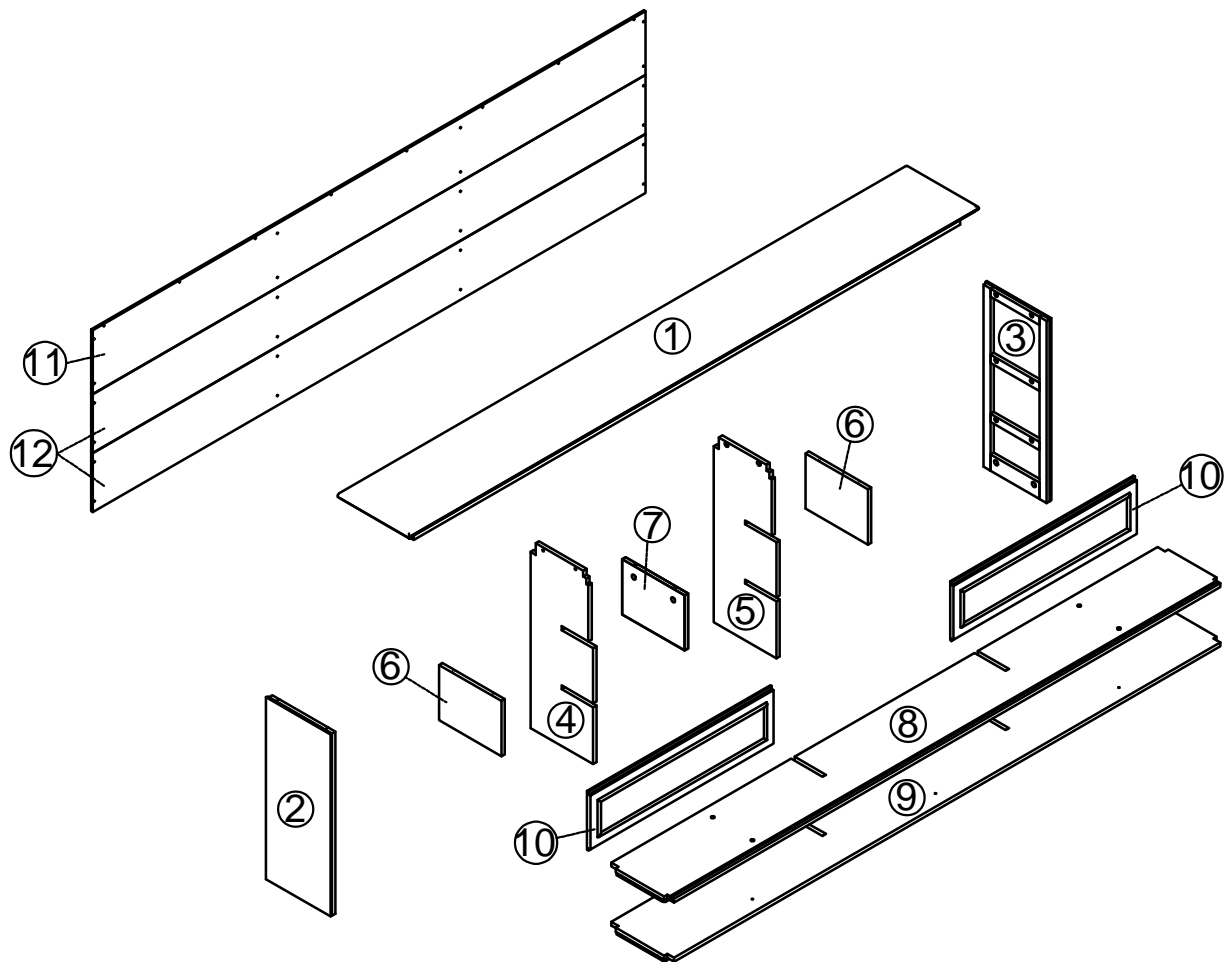
DAY BED W.STORAGE



ASSEMBLY INSTRUCTION

ITEM : WF318133 / 318134 / 318135

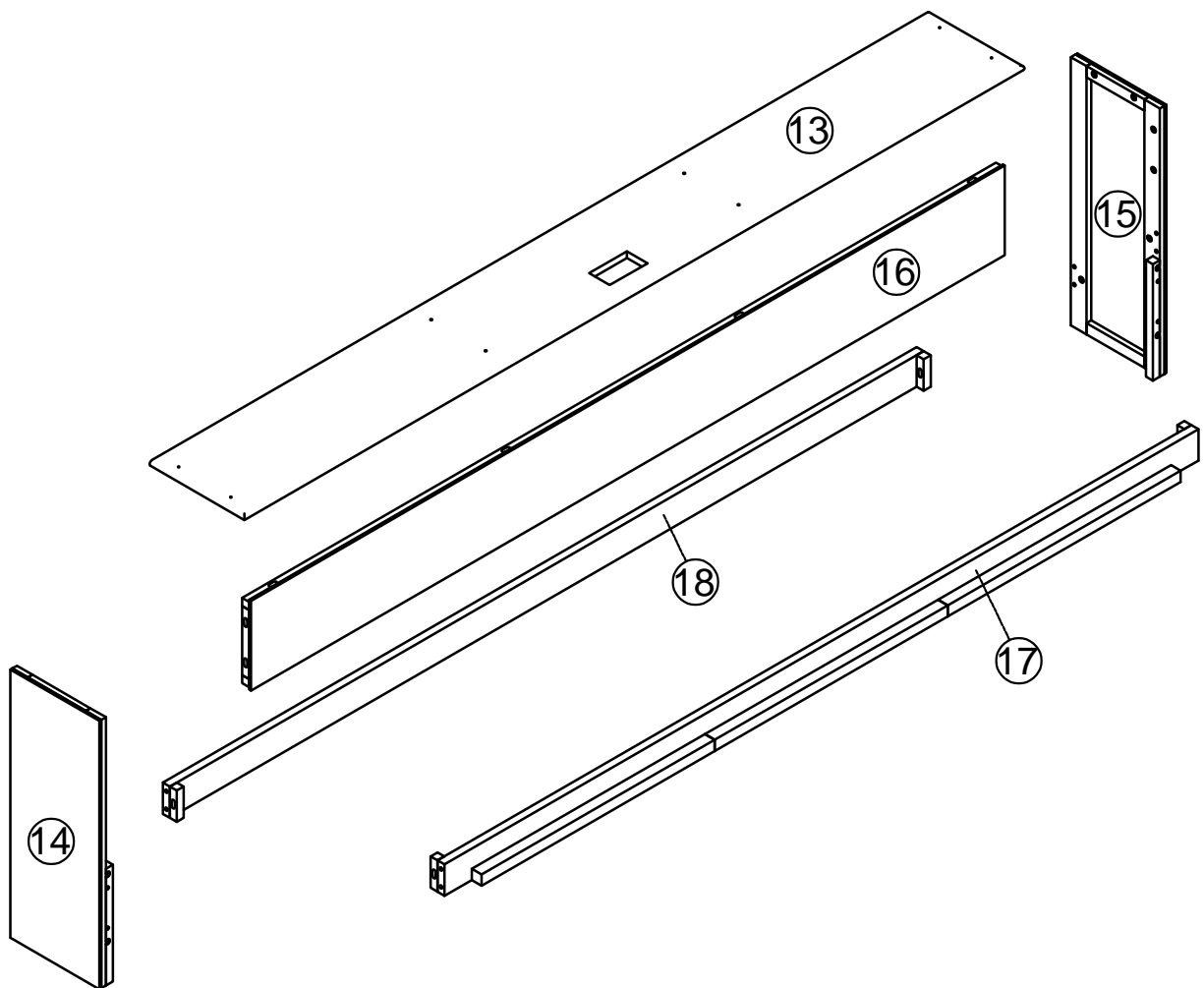
DAY BED W.STORAGE



ASSEMBLY INSTRUCTION

ITEM : WF318133 / 318134 / 318135

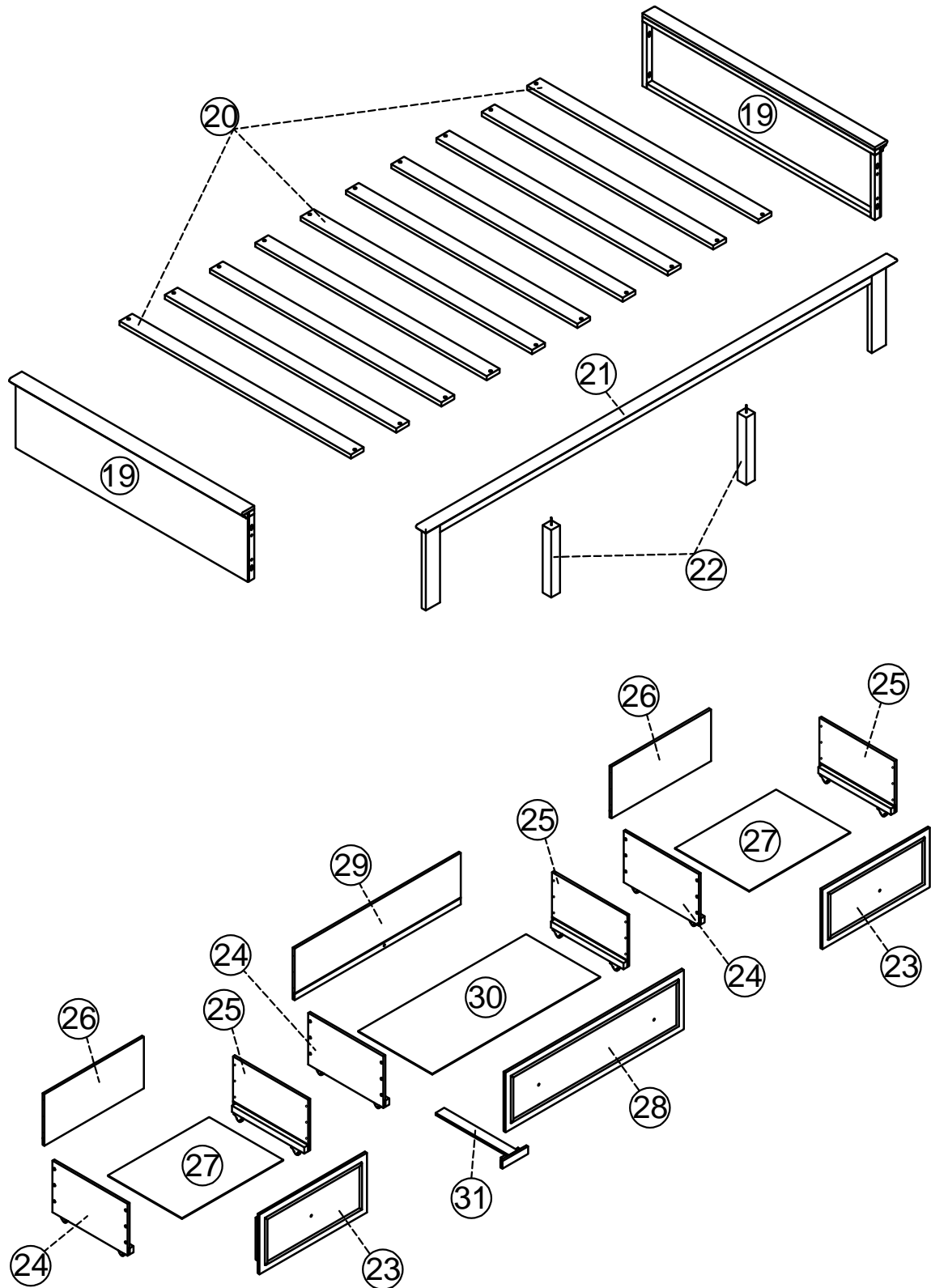
DAY BED W.STORAGE



ASSEMBLY INSTRUCTION

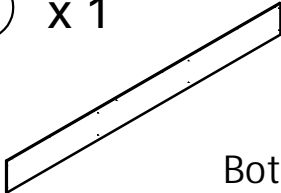
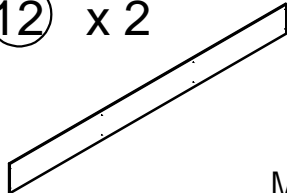
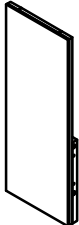

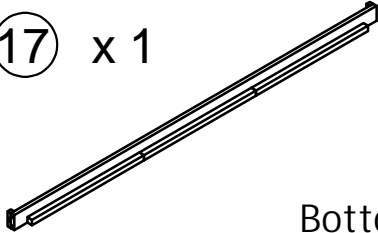
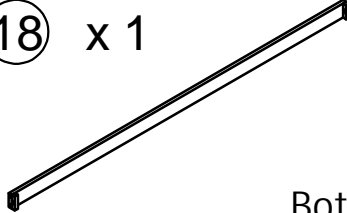
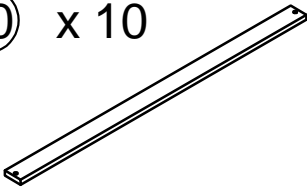
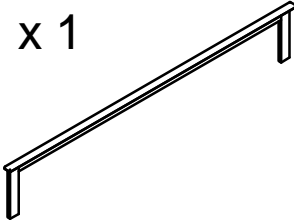
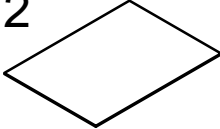

ITEM : WF318133 / 318134 / 318135

DAY BED W.STORAGE



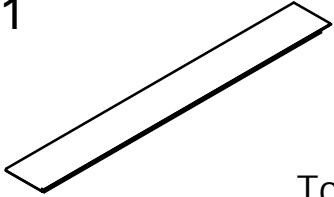
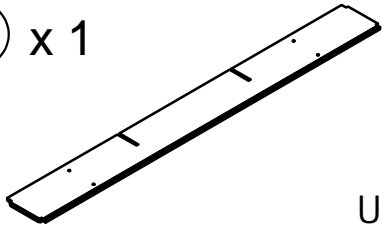
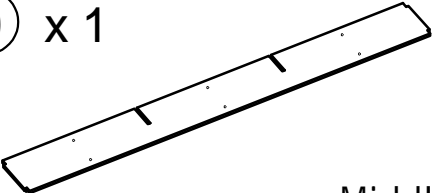
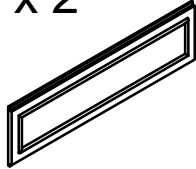
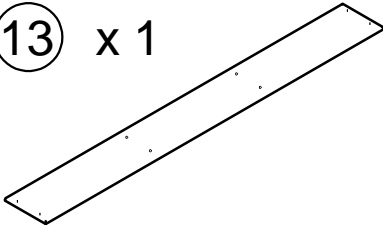
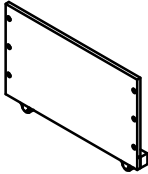
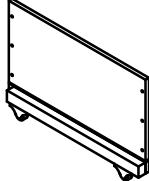
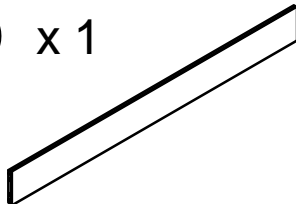

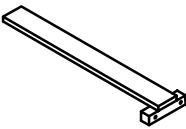
Part List

(Box 1 - WF318133)

<p>①① x 1</p>  <p>Bottom back panel</p>	<p>①② x 2</p>  <p>Middle back panel</p>
<p>①④ x 1</p>  <p>Left bottom side</p>	<p>①⑤ x 1</p>  <p>Right bottom side</p>
<p>①⑦ x 1</p>  <p>Bottom front rail</p>	<p>①⑧ x 1</p>  <p>Bottom back rail</p>
<p>②① x 10</p>  <p>Slat</p>	<p>②② x 1</p>  <p>Foot board</p>
<p>②⑦ x 2</p>  <p>Bottom side drawer</p>	<p>③① x 1</p>  <p>Bottom middle drawer</p>


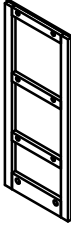
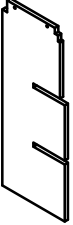
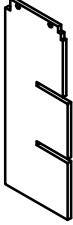
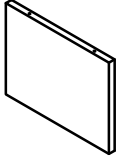
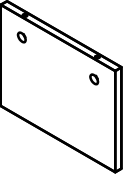
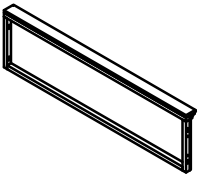
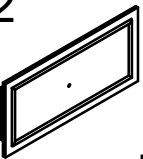
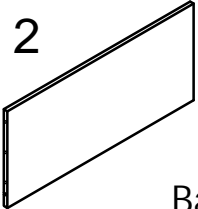
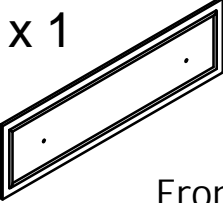
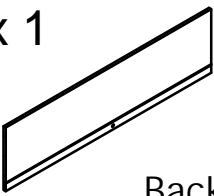
Part List

(Box 2 - WF318134)

<p>① x 1</p>  <p>Top panel</p>	<p>⑧ x 1</p>  <p>Upper shelf</p>
<p>⑨ x 1</p>  <p>Middle shelf</p>	<p>⑩ x 2</p>  <p>Sliding door</p>
<p>⑬ x 1</p>  <p>Bottom shelf</p>	<p>⑳ x 3</p>  <p>Left side drawer</p>
<p>㉕ x 3</p>  <p>Right side drawer</p>	<p>⑯ x 1</p>  <p>Bottom panel</p>
<p>㉒ x 2</p>  <p>Leg support</p>	<p>㉓ x 1</p>  <p>Bottom support drawer</p>

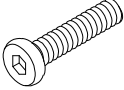
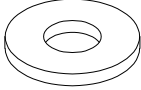
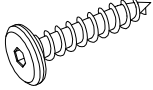


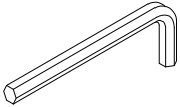
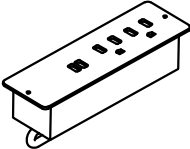
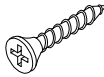
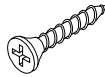
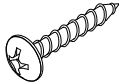
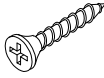
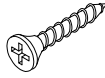
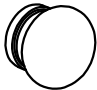
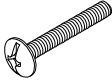
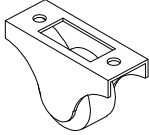
Part List

(Box 3 - WF318135)

<p>② x 1 </p> <p style="text-align: right;">Left side</p>	<p>③ x 1 </p> <p style="text-align: right;">Right side</p>
<p>④ x 1 </p> <p style="text-align: right;">Partition left panel</p>	<p>⑤ x 1 </p> <p style="text-align: right;">Partition right panel</p>
<p>⑥ x 2 </p> <p style="text-align: right;">Partition panel</p>	<p>⑦ x 1 </p> <p style="text-align: right;">Partition panel</p>
<p>⑱ x 2 </p> <p style="text-align: right;">Side panel</p>	<p>⑳ x 2 </p> <p style="text-align: right;">Front side drawer</p>
<p>㉒ x 2 </p> <p style="text-align: right;">Back side drawer</p>	<p>㉔ x 1 </p> <p style="text-align: right;">Front middle drawer</p>
<p>㉖ x 1 </p> <p style="text-align: right;">Back middle drawer</p>	

Hardware List

(Box 3 - WF318135)

<p>A</p>  <p>M6 x 30 mm Allen key bolt 36pcs</p>	<p>B</p>  <p>Ø16/Ø6-1mm Washer 36pcs</p>	<p>C</p>  <p>M6 x 30 mm Allen key screw 4pcs</p>
<p>D</p>  <p>Cam lock pin Cam lock 6 sets</p>	<p>E</p>  <p>Ø8 x 30 mm Wood dowel 16pcs</p>	<p>F</p>  <p>Allen key 1pc</p>
<p>G</p>  <p>1pc</p>	<p>H</p>  <p>M3x15mm Wood Screw 24pcs</p>	<p>I</p>  <p>M3.5x12mm Wood Screw 2pcs</p>
<p>J</p>  <p>M4x15mm Screw round head 32pcs</p>	<p>K</p>  <p>M4x20mm Wood Screw 37pcs</p>	<p>L</p>  <p>M4x25mm Wood Screw 36pcs</p>
<p>M</p>  <p>Handle 4pcs</p>	<p>N</p>  <p>M4 x 15 mm Bolt 4pcs</p>	<p>O</p>  <p>Wheel 12pcs</p>





ASSEMBLY TOOLS REQUIRED (NOT INCLUDED)

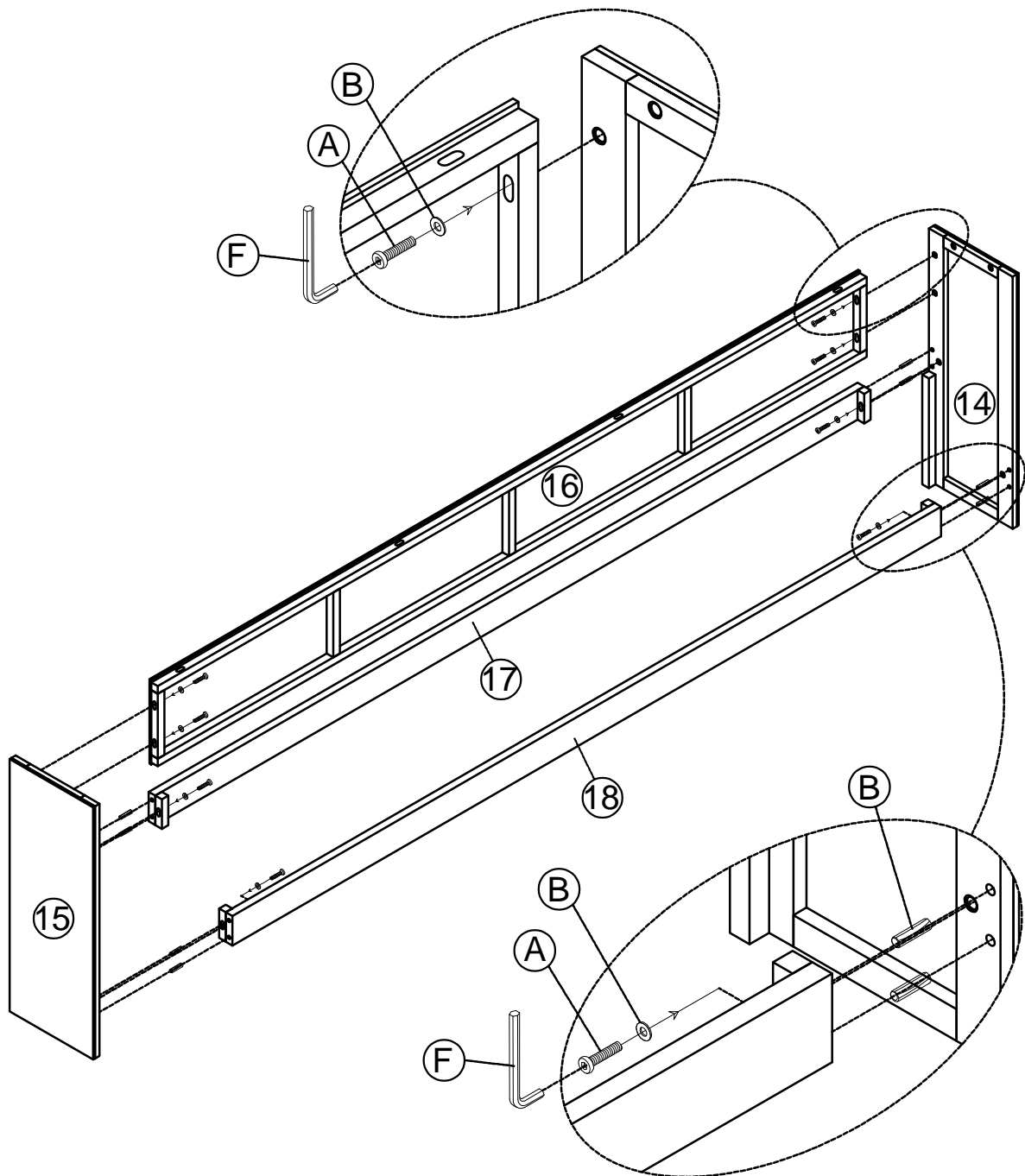


STEP: 1

Following below illustration

- Using hardware #A,#B,#E connect 14 with 15,16
- Using hardware #A,#B,#E connect 14 with 15,17
- Using hardware #A,#B,#E connect 14 with 15,18

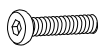


E		8	A		8
F		1	B		8

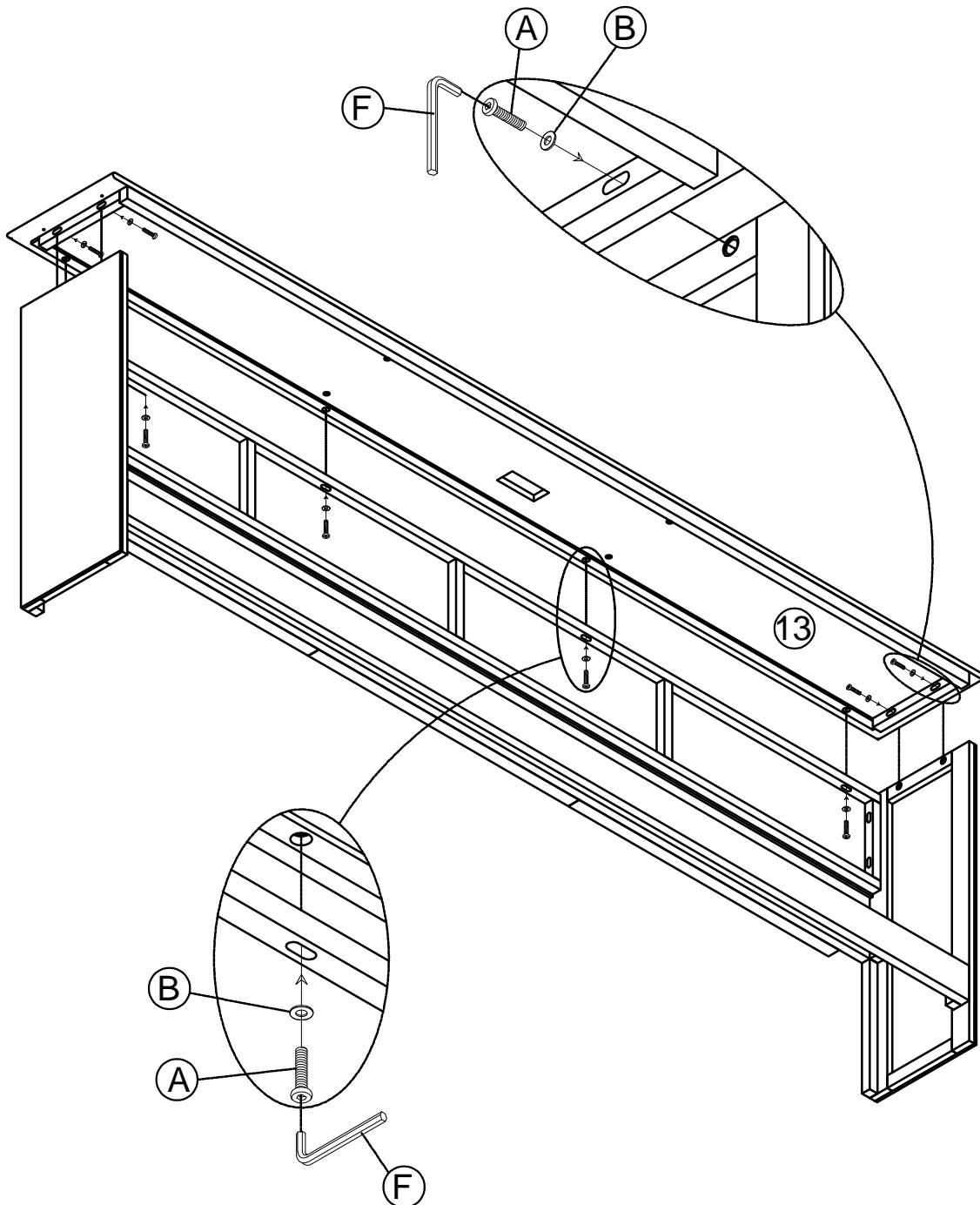


STEP: 2

Following below illustration

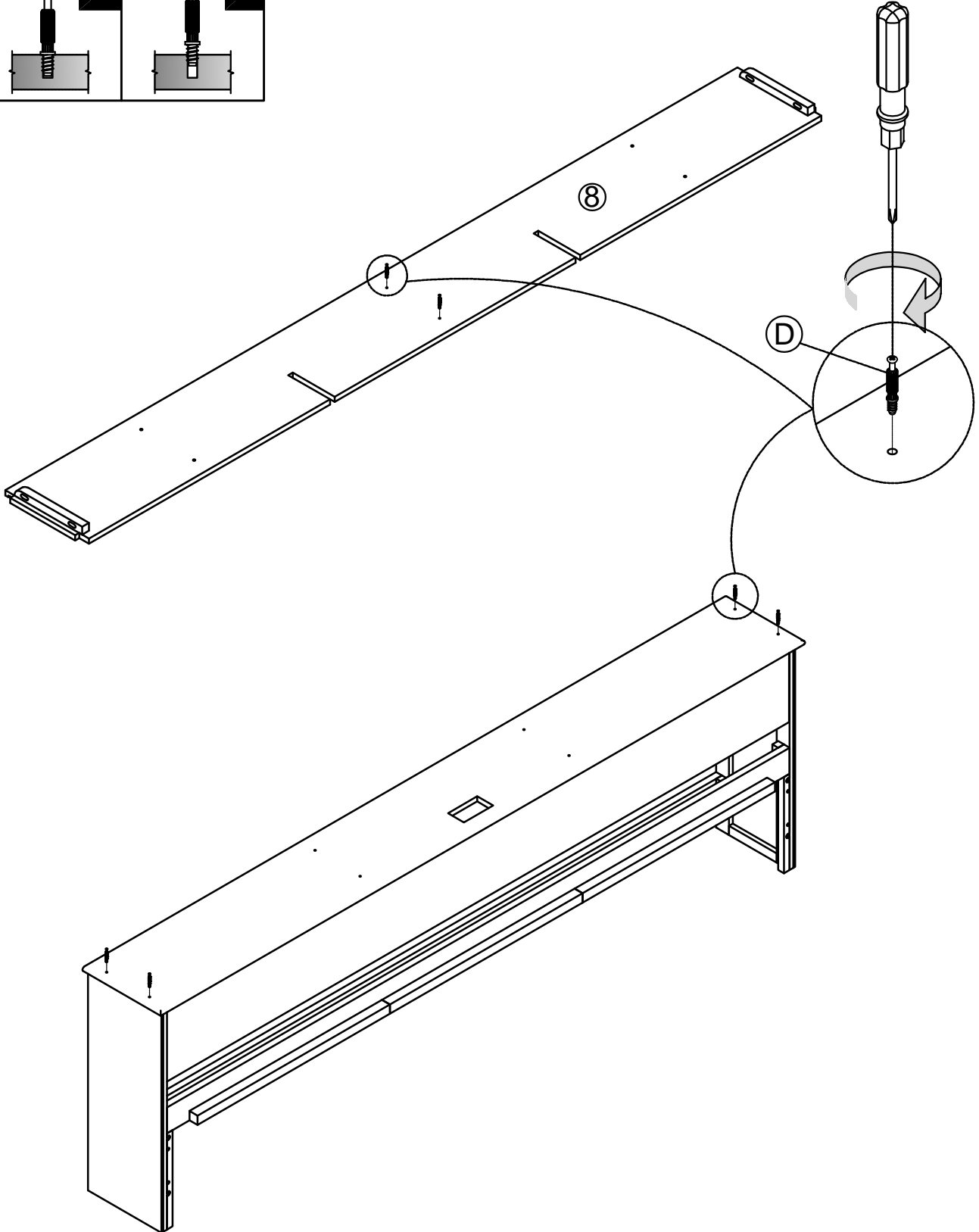
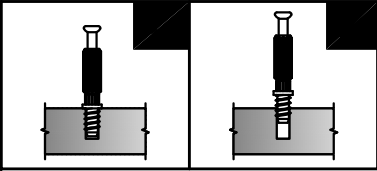
-Using hardware #A,#B connect Frame(Completed on step:1) with 13.

A		8
B		8
F		1





STEP: 3 Following below illustration

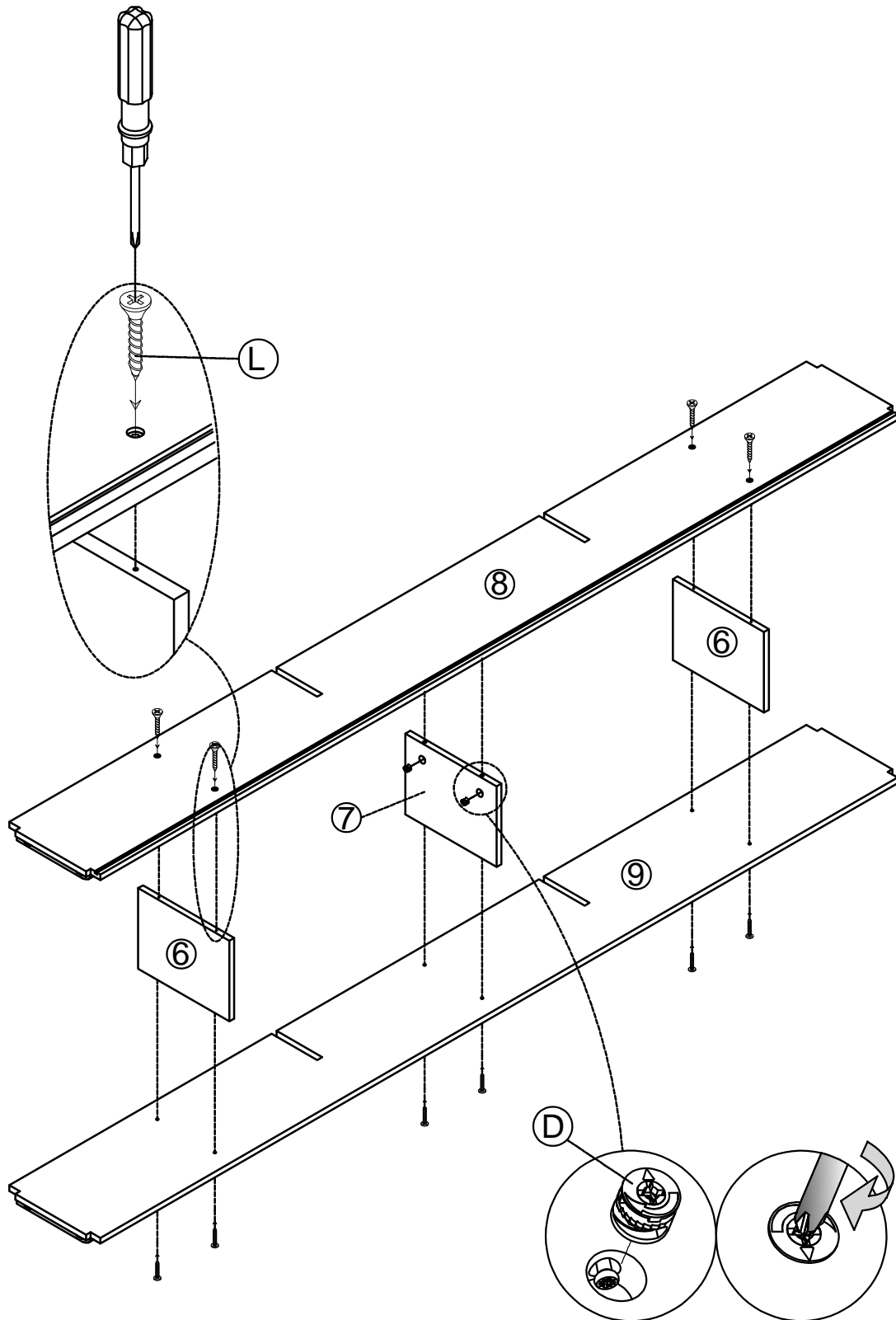
D  6



STEP: 4 Following below illustration

-Using hardware #L,#D connect 6 with 7,8,9



D		2
L		10

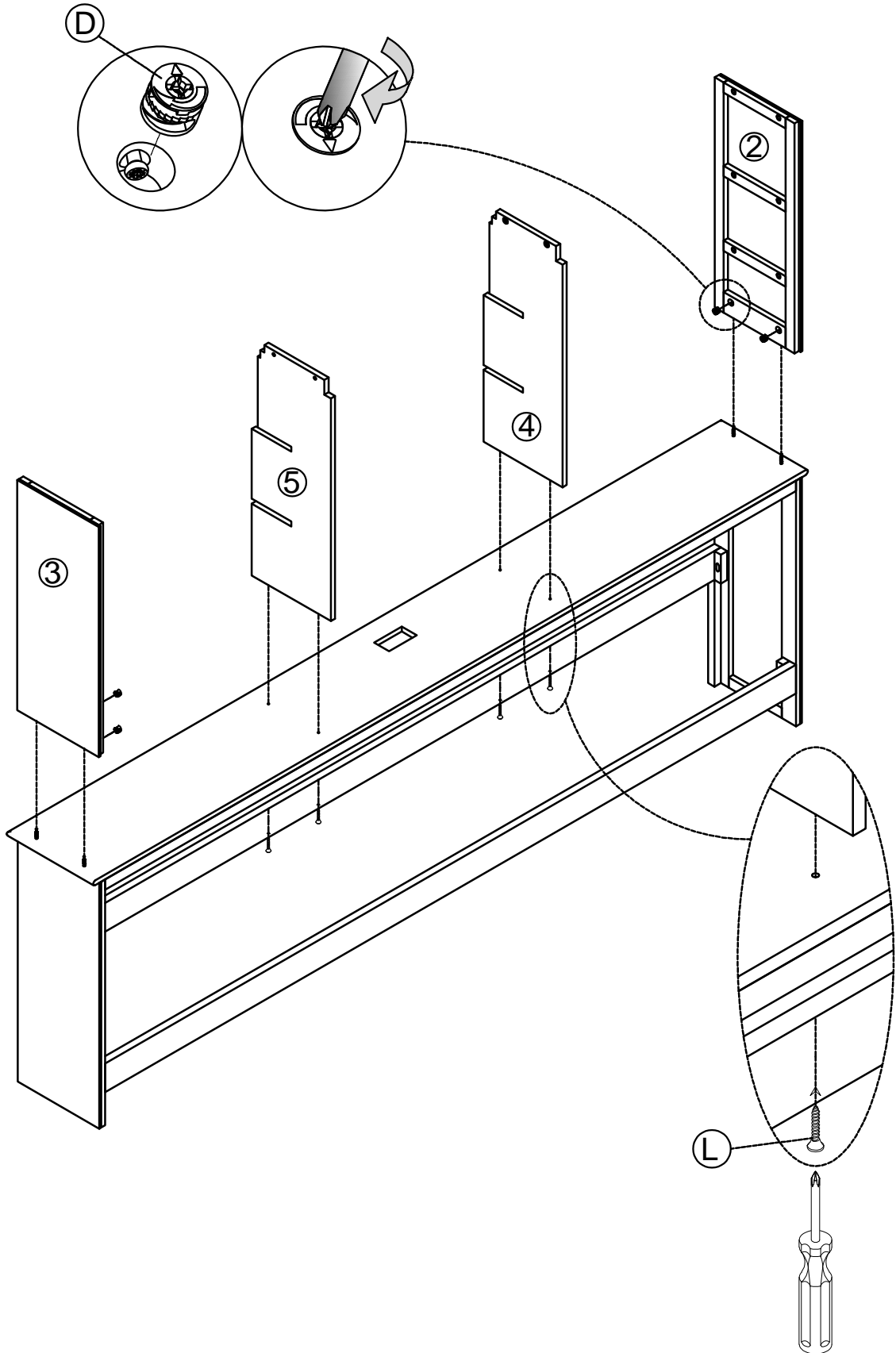


STEP: 5

Following below illustration

- Using hardware #D connect Frame(Completed on step:3) with 2,3.
- Using hardware #L connect Frame(Completed on step:3) with 4,5.

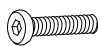


D		4
L		4

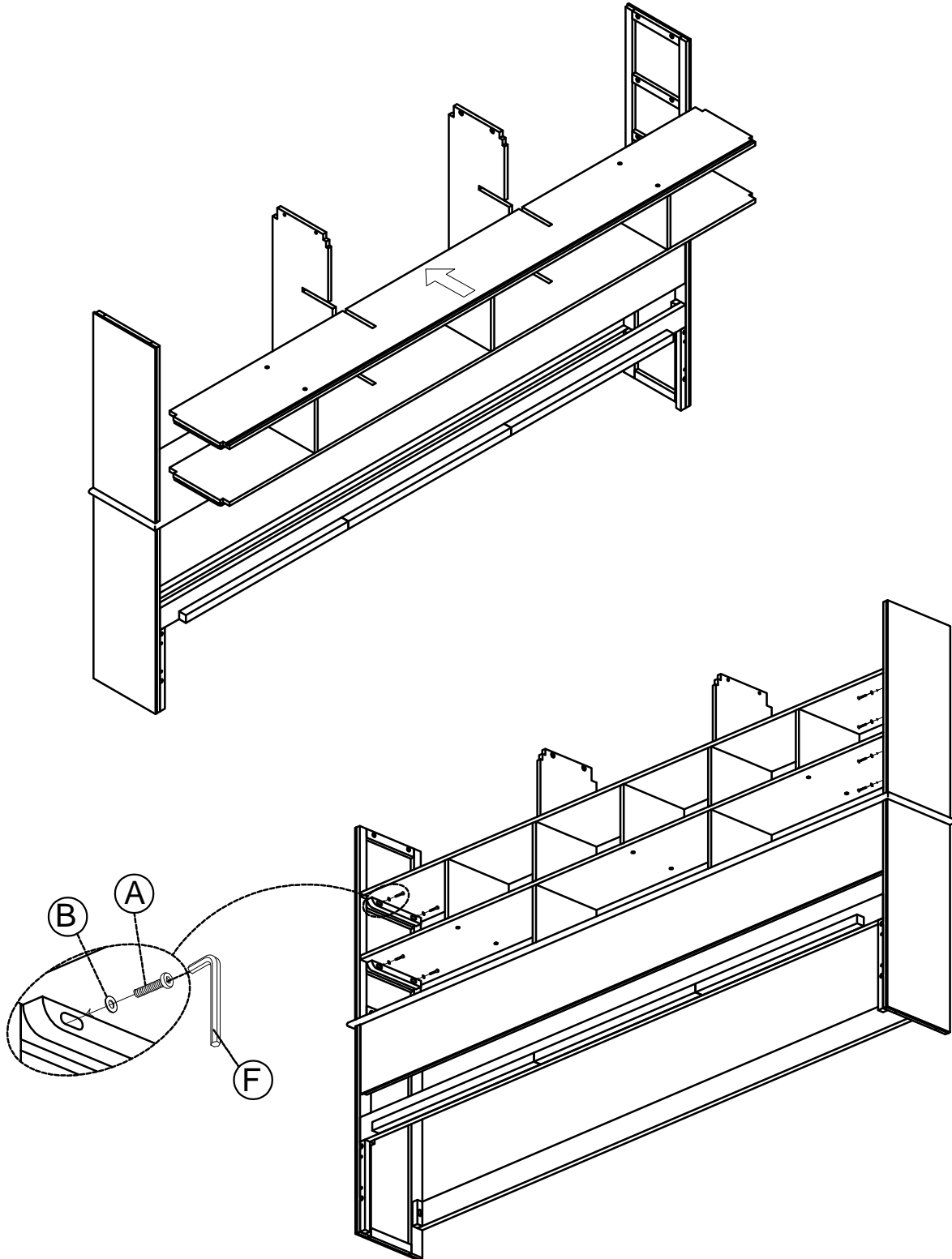


STEP: 6

Following below illustration

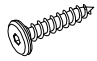
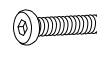

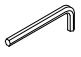
-Using hardware #A,#B connect Frame(Completed on step:4) with Frame(Completed on step:5)

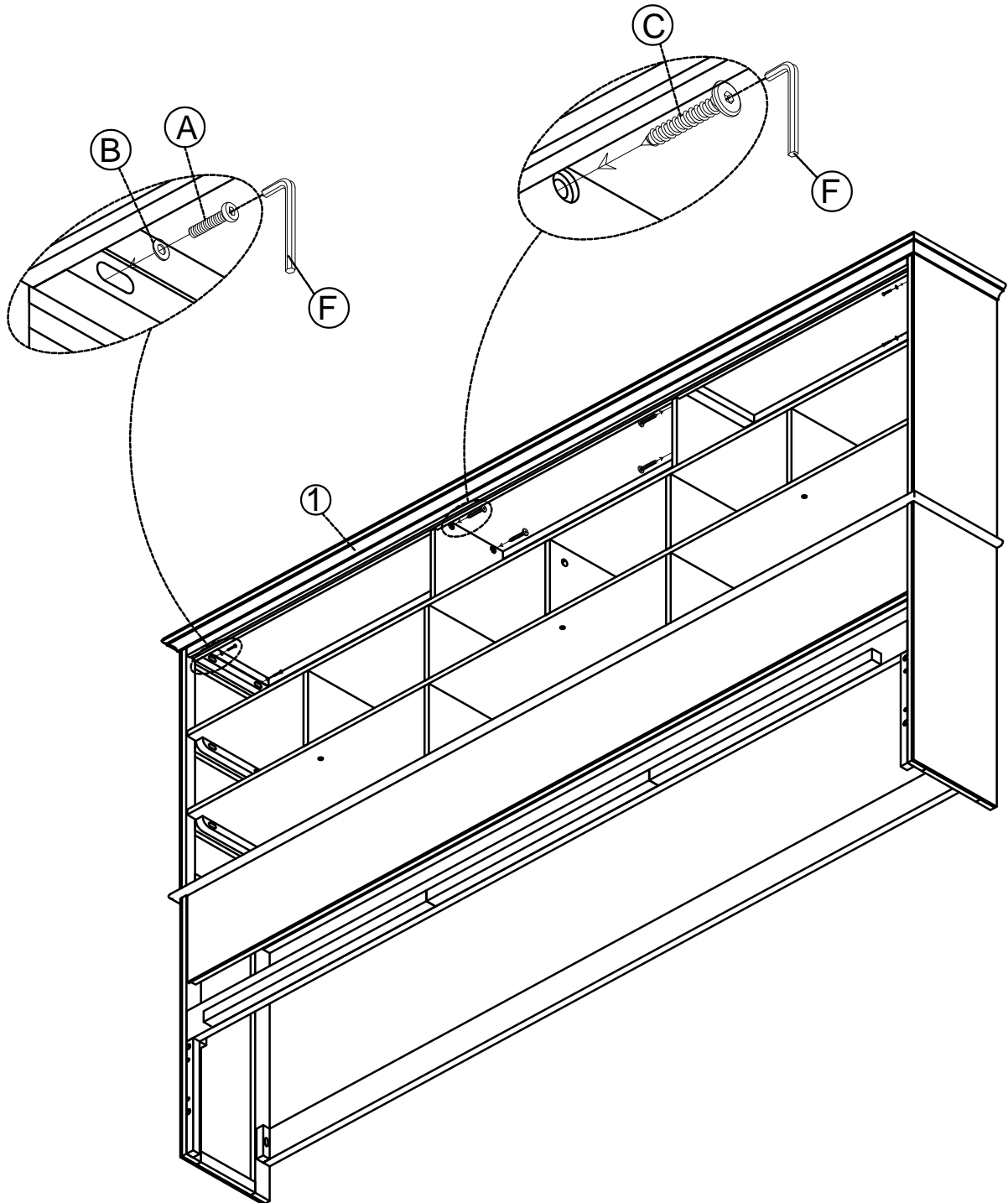
A		8
B		8
F		1



STEP: 7 Following below illustration

-Using hardware #A,#B,#C connect Frame(Completed on step:6) with 1

C		4	A		4
			B		4
			F		1



STEP: 8

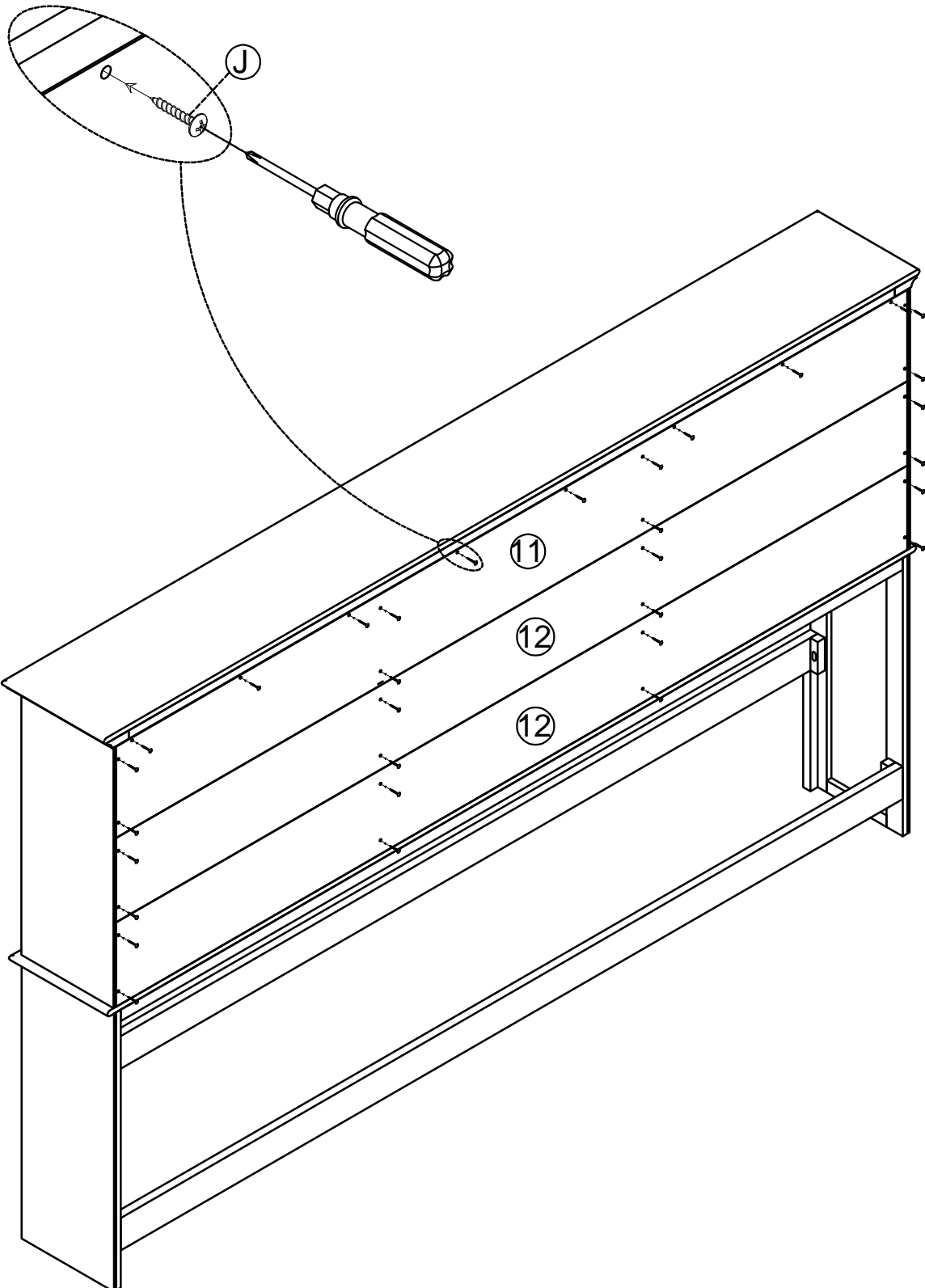
Following below illustration

J



32



- Attach the Back Panel 11, 12 to back frame using Phillips Screws Round Head 4 through guide holes.
- Use Phillips Screwdriver to tighten screws. Do not over-tighten.

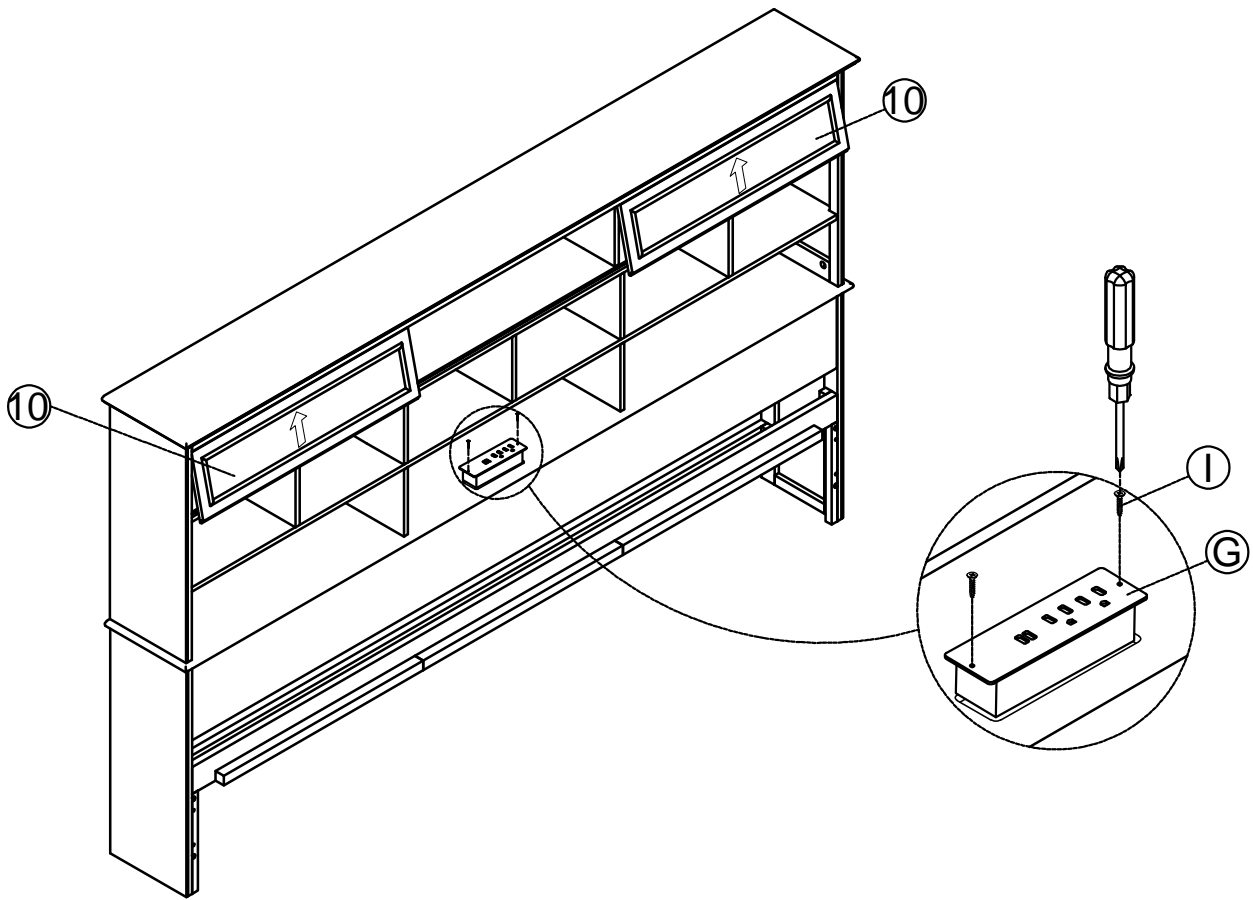


STEP: 9 Following below illustration

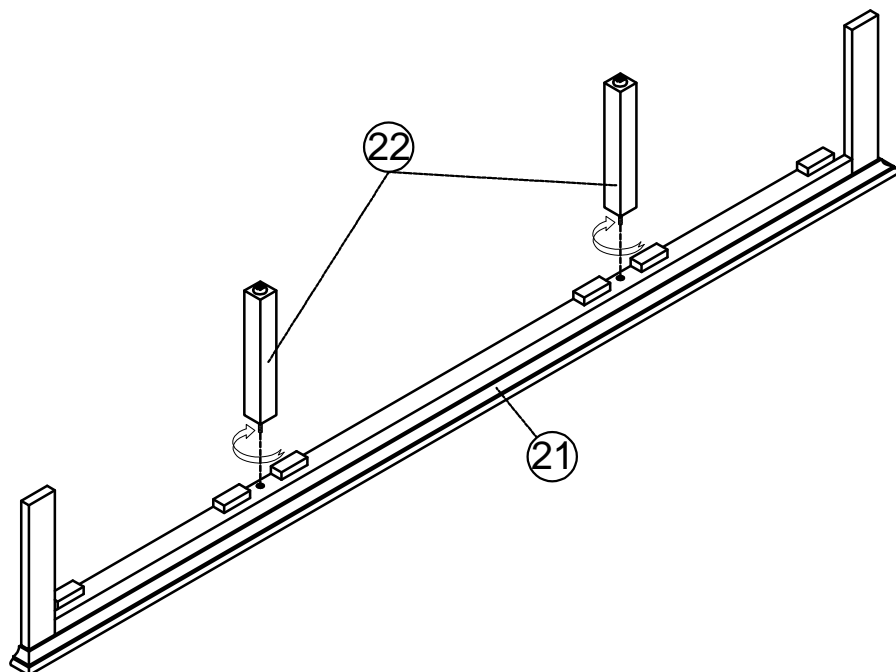
-Connect 10 with Frame(Completed on step:8)

-Using hardware #I connect #G with Frame(Completed on step:8)

G		1
I		2







STEP: 10 Following below illustration

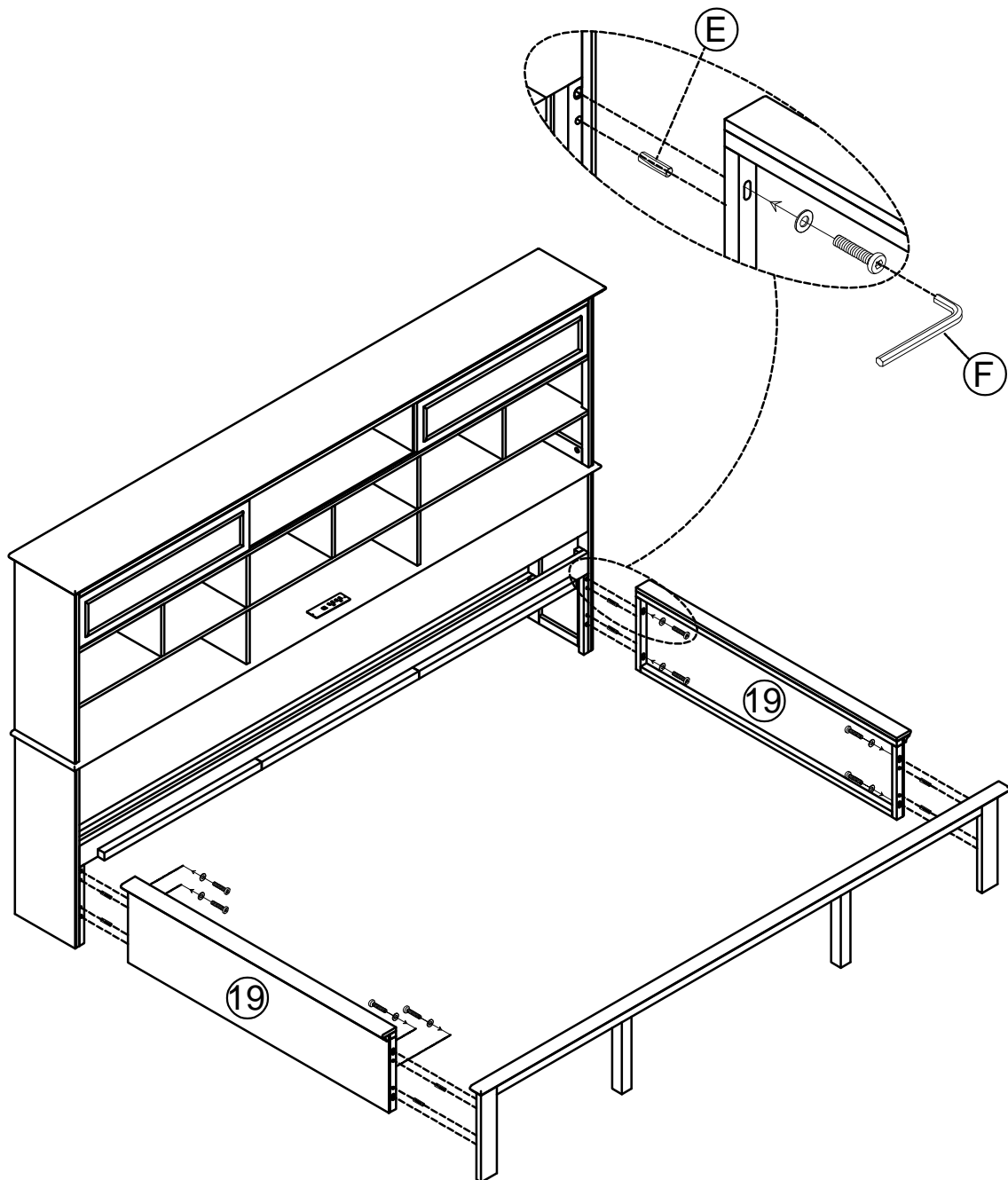


STEP: 11

Following below illustration

E		8	A		8
			B		8
			F		1

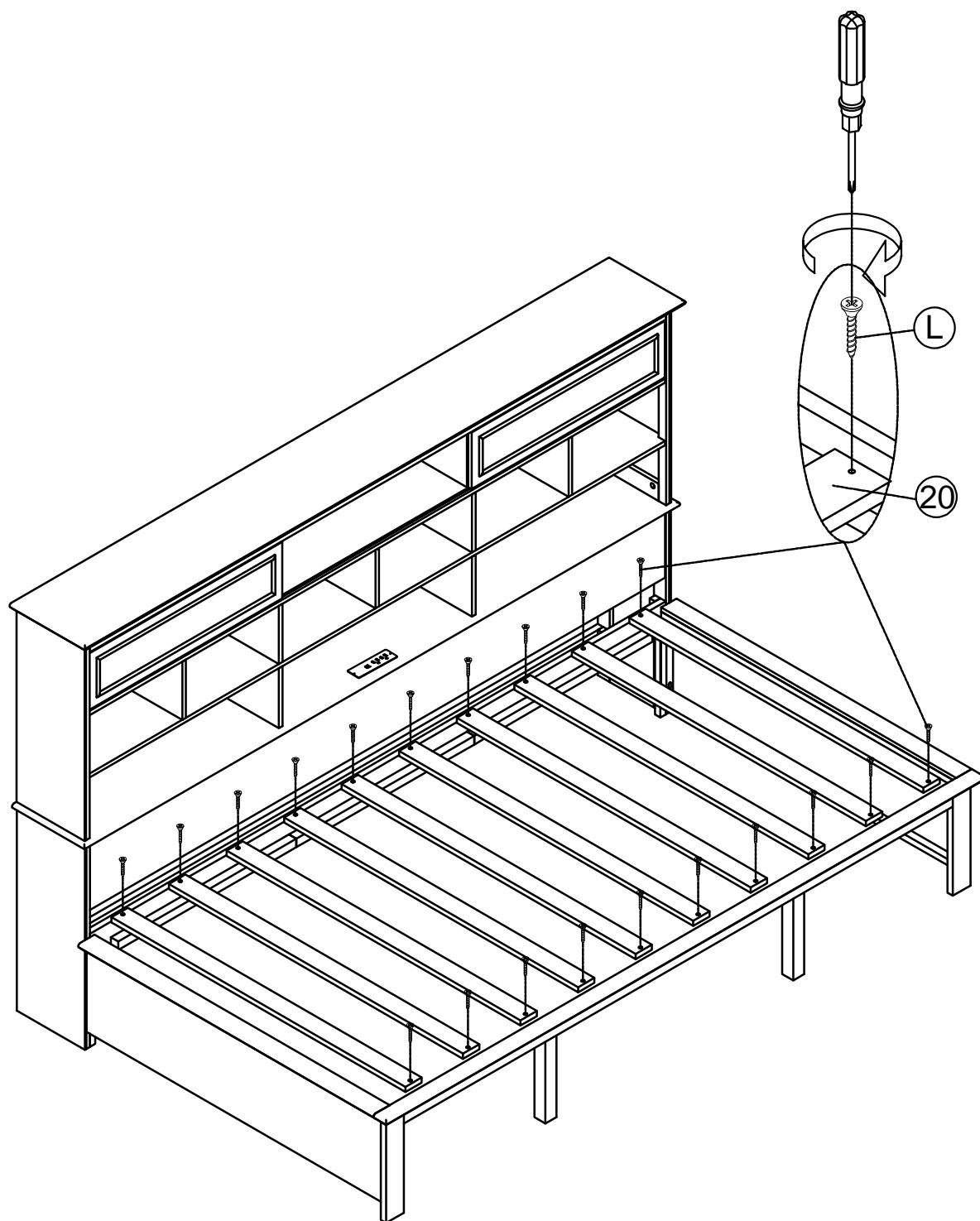
- Using hardware #A,#B,#E connect Frame(Completed on step:9) with 19
- Using hardware #A,#B,#E connect Frame(Completed on step:10) with 19





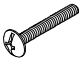
STEP: 12 Following below illustration

L  20

-Using hardware #L connect Slats 20

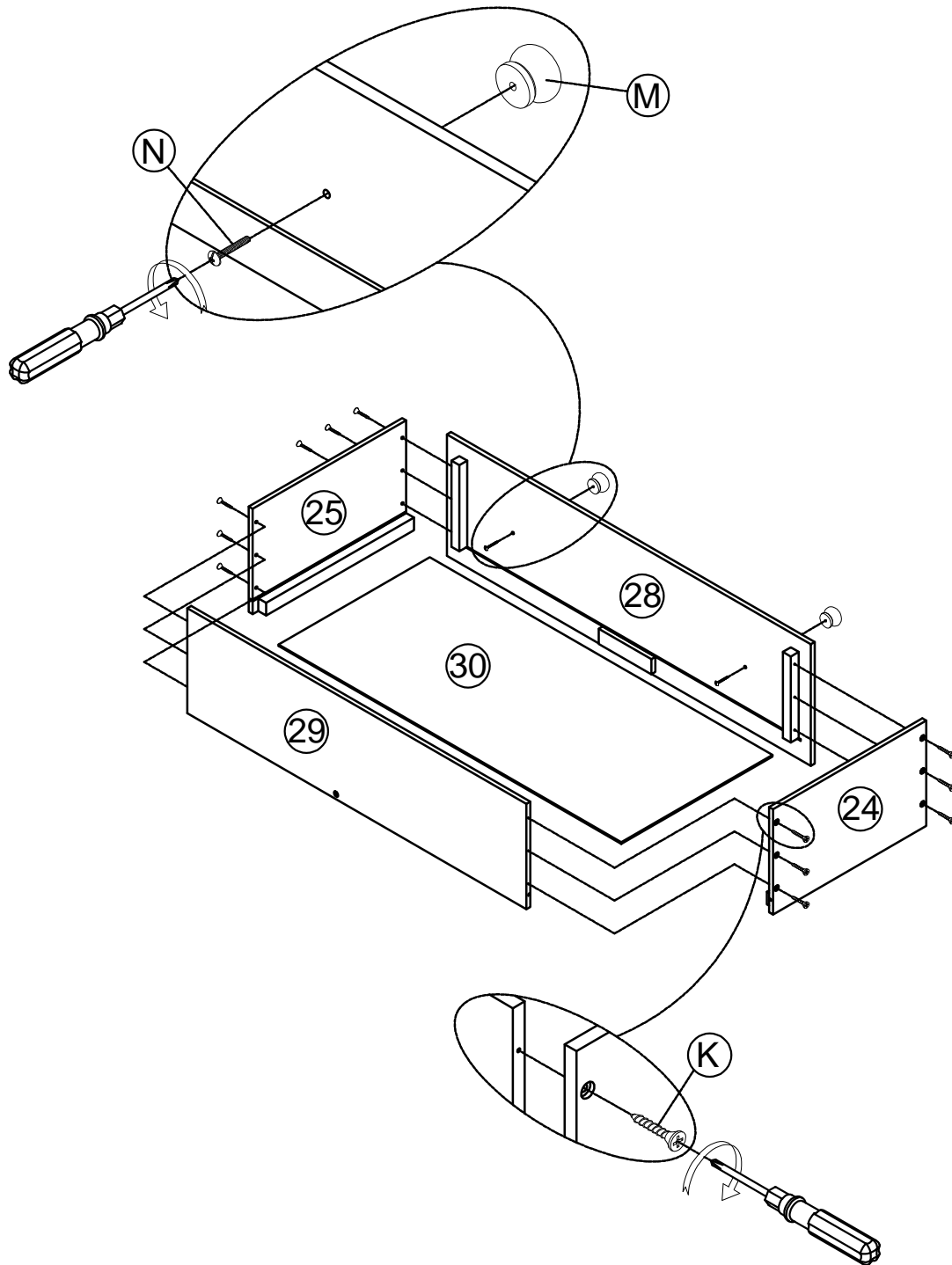


STEP: 13





M		2	K		12
N		2			

Following below illustration

- Using hardware #K connect Front drawer 28
Back drawer 29, Left side drawer 24
Right side drawer 25, Bottom drawer 30
- Using hardware #N connect Handle M

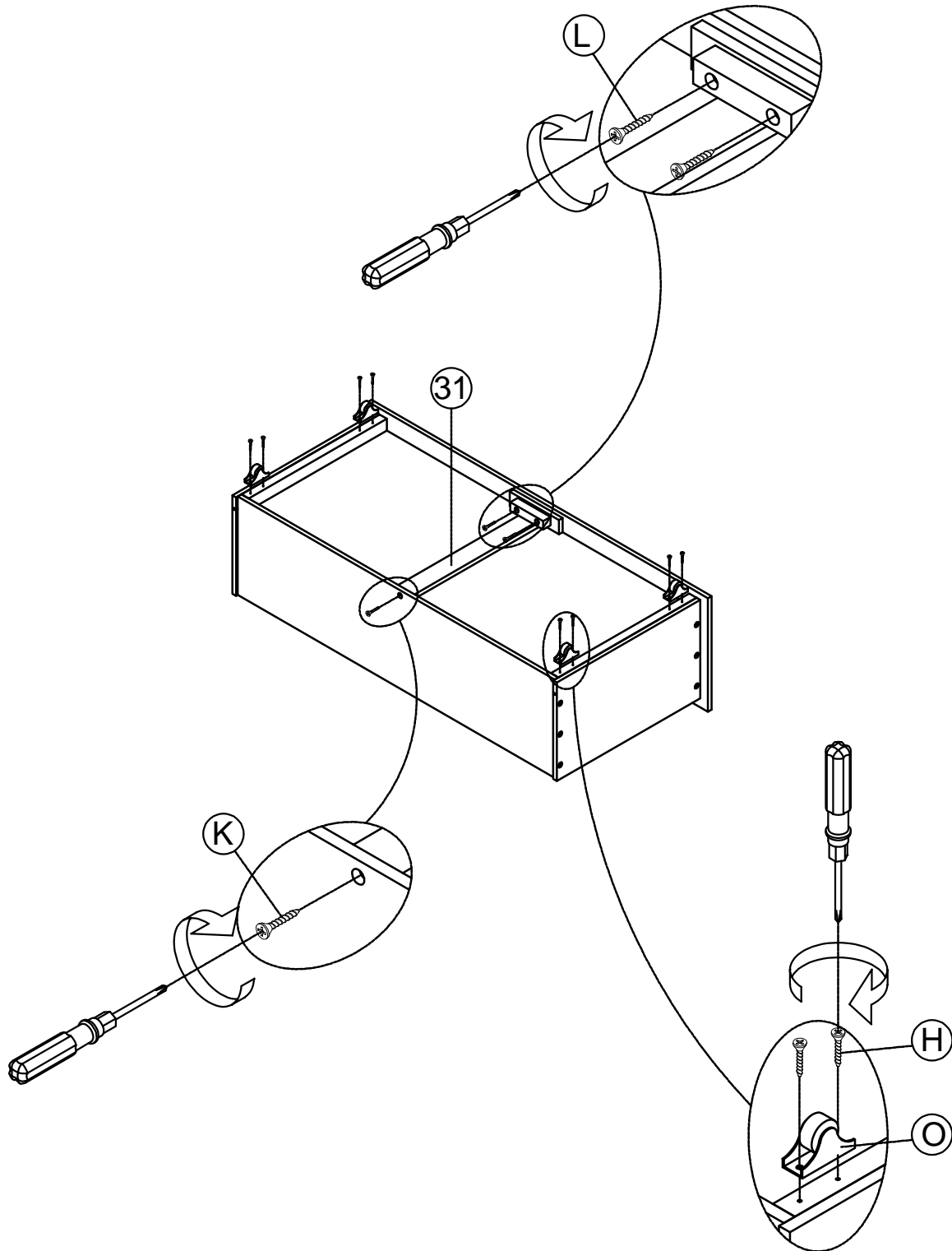


STEP: 14




L		2	H		8
O		4	K		1

Following below illustration

- Using hardware #H connect Wheel O with Frame(Completed on step:13)
- Using hardware #K,#L connect 31 with Frame(Completed on step:13)

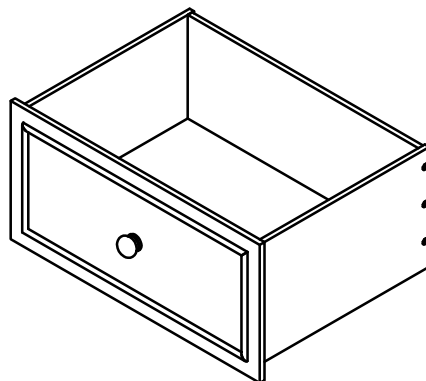
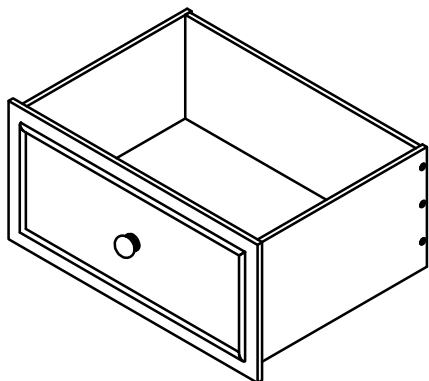
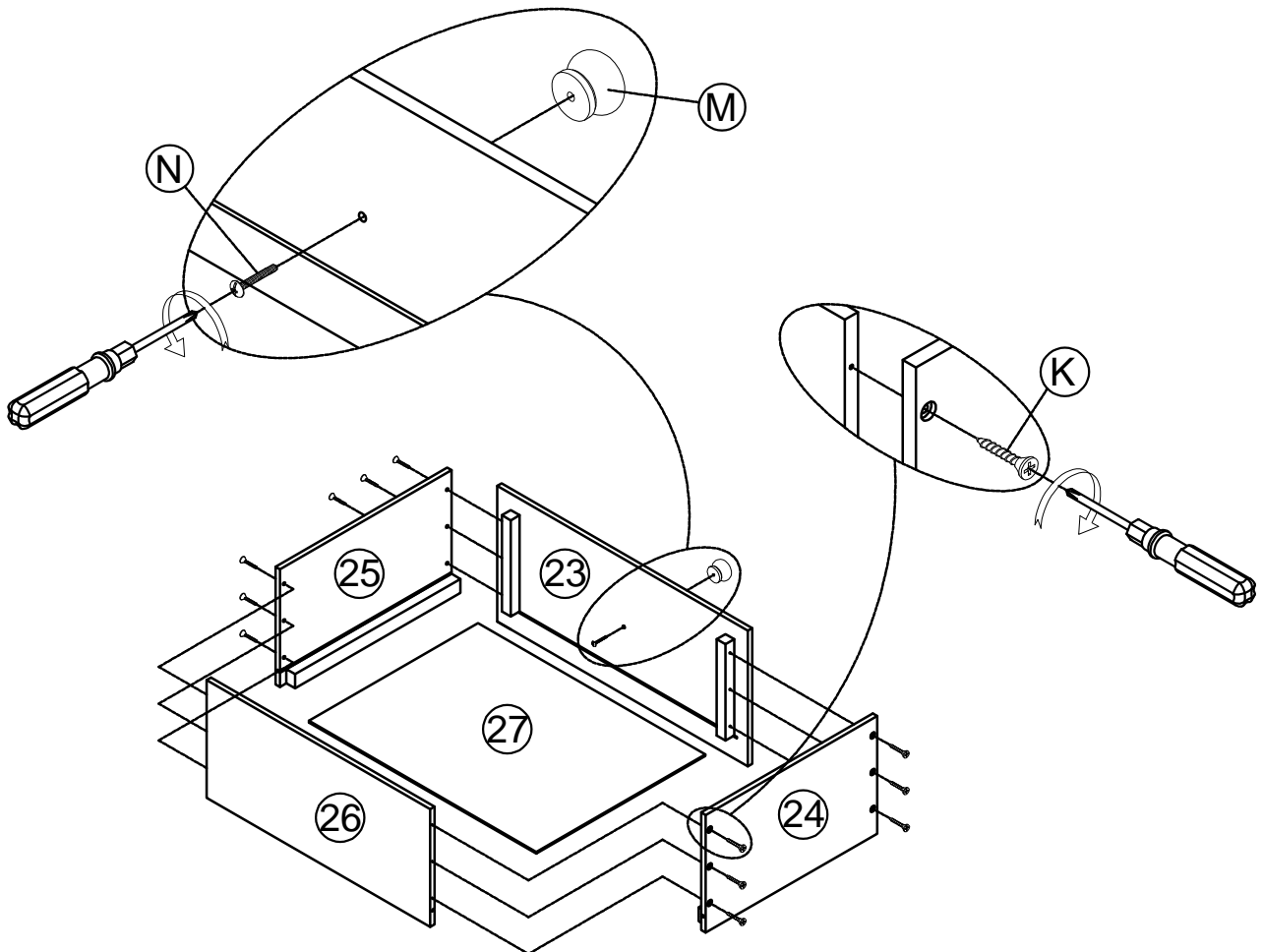


STEP: 15

M		2	K		24
			N		2

Following below illustration



- Using hardware #K connect Front drawer 23
Back drawer 26 , Left side drawer 24
Right side drawer 25 , Bottom drawer 27
- Using hardware #N connect Handle M

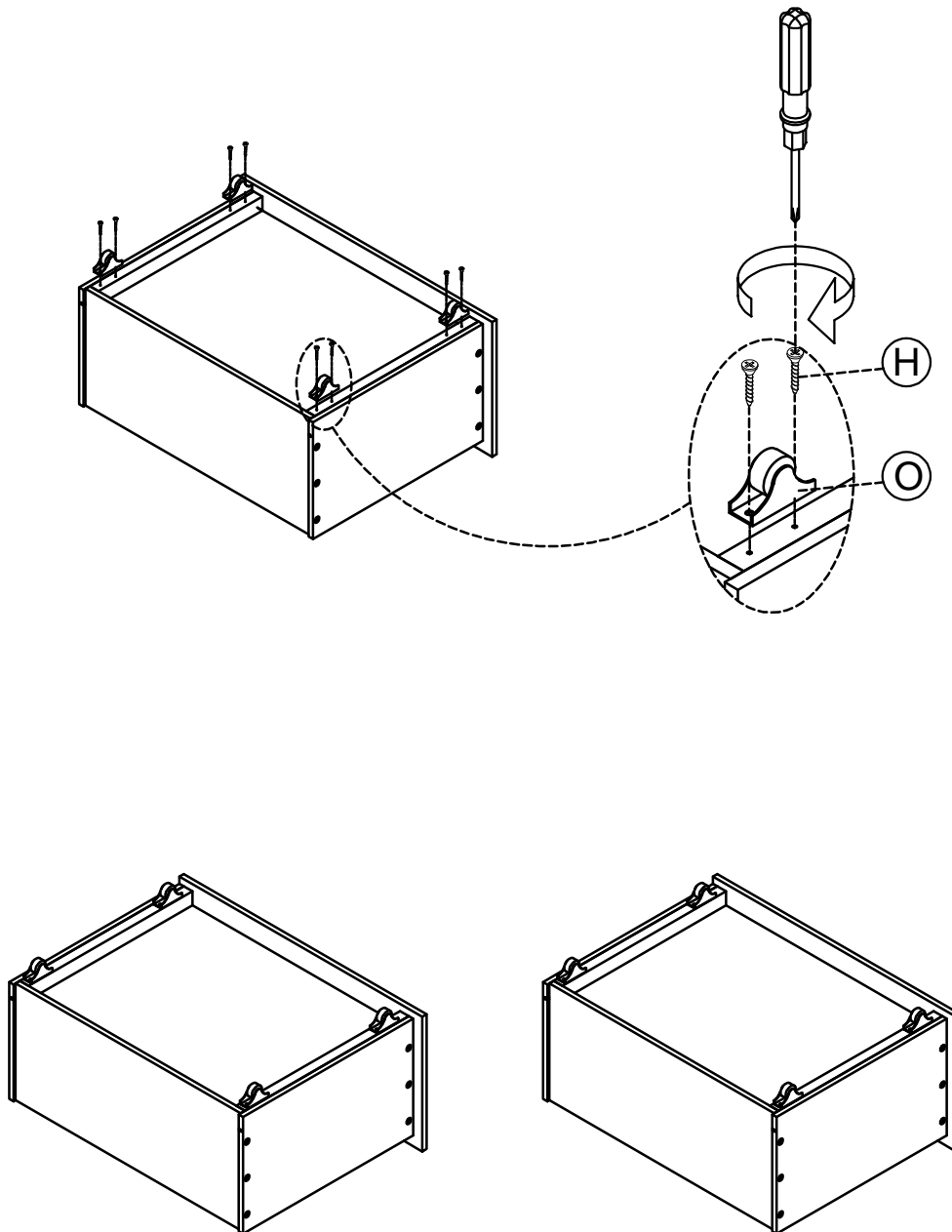


STEP: 16

Following below illustration

-Using hardware #H connect Wheel O with Frame(Completed on step:15)

H		16
O		8



STEP: 17

Following below illustration

