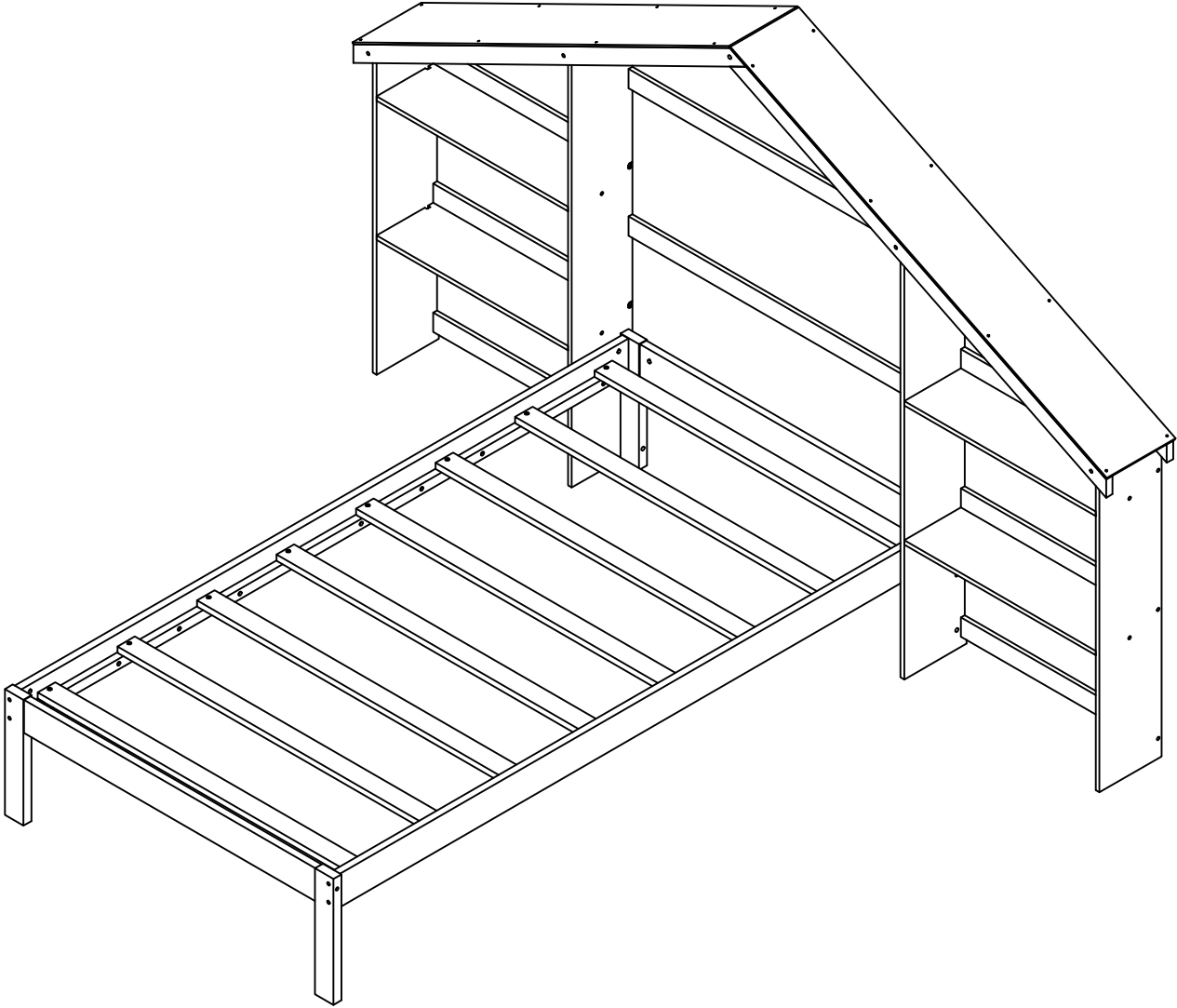


ASSEMBLY INSTRUCTIONS

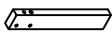

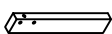

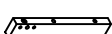

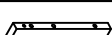
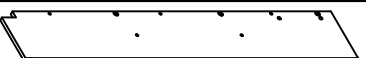
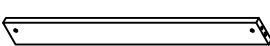

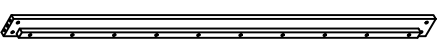


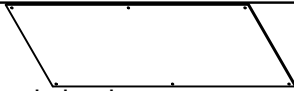


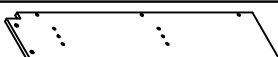
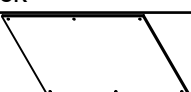
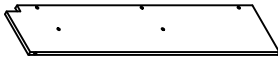
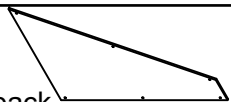
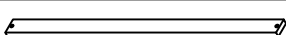
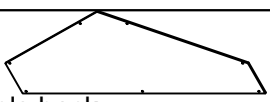
TWIN BED WITH BOOKCASE



WF320559













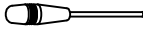
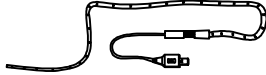
ASSEMBLY INSTRUCTIONS

WF320559 (Hardware in this SKU)

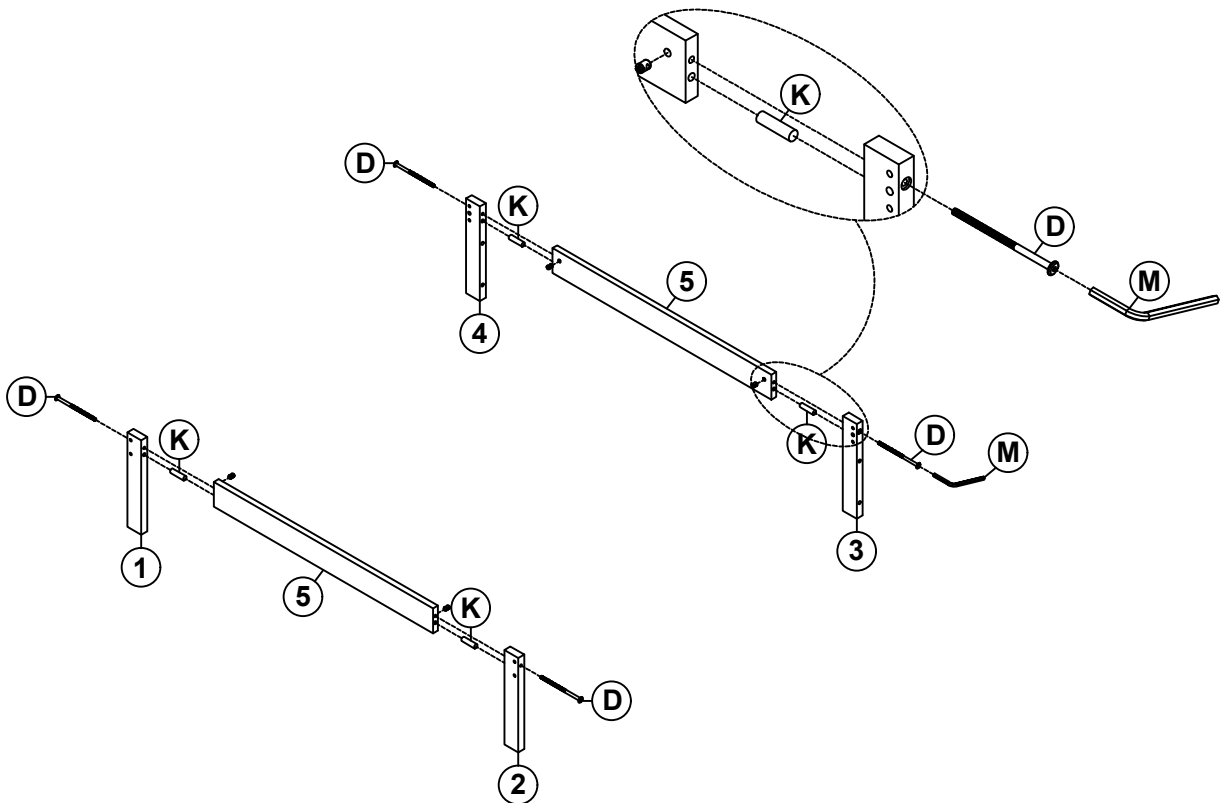
1		1pc	12		4pcs
2		1pc	13		2pcs
3		1pc	14		2pcs
4		1pc	15		1pc
5		2pcs	16		1pc
6		2pcs	17		2pcs
7		6pcs	18		2pcs
8		3pcs	19		1pc
9		1pc	20		3pcs
10		1pc	21		2pcs
11		8pcs	22		1pc

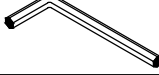


ASSEMBLY INSTRUCTIONS

WF320559 (Hardware in this SKU)

A	Ø4x30		16PCS	G	1/4x50		26PCS
B	Ø3.5x15		55PCS	H	1/4x65		4PCS
C	Ø4x20		16PCS	I	1/4x15		2PCS
D	1/4x100		4PCS	K	Ø10x40		8PCS
E	1/4x65		8PCS	L	Ø8x30		16PCS
F	1/4x60		8PCS	M	4x58		1PC
	Phillip head screw Not include			N			1PC

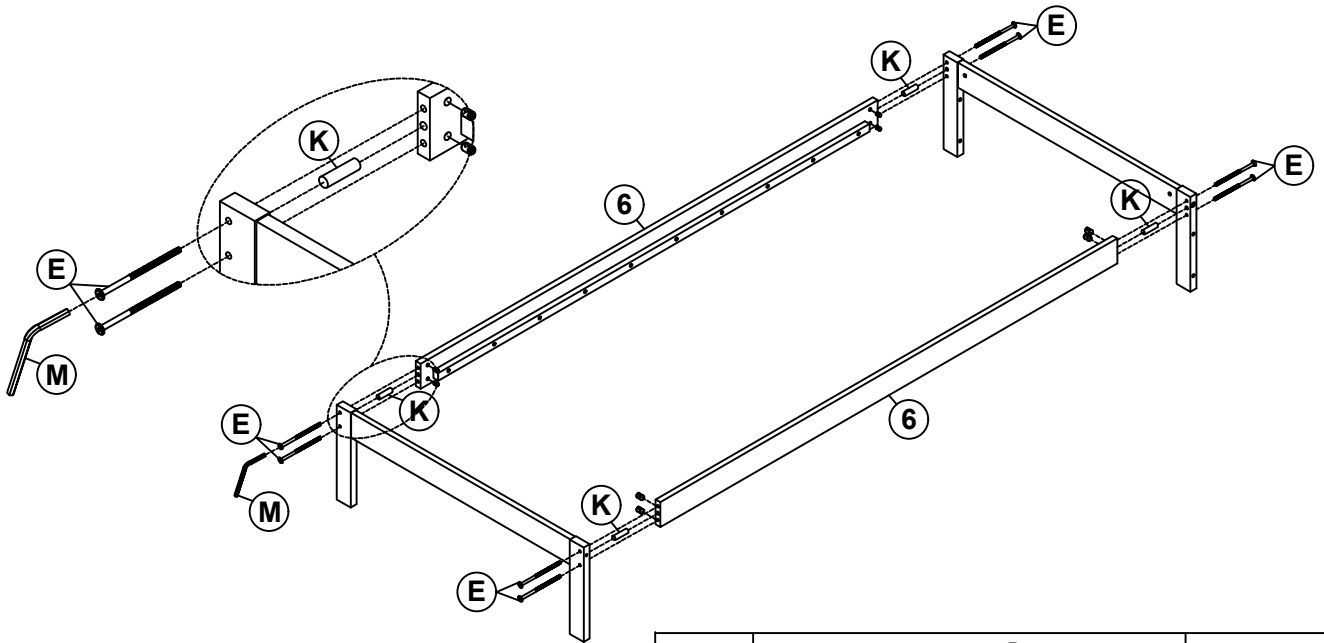
Step 1





M	4x58		1PC	D	1/4x100		4PCS
K	Ø10x40		4PCS				

ASSEMBLY INSTRUCTIONS

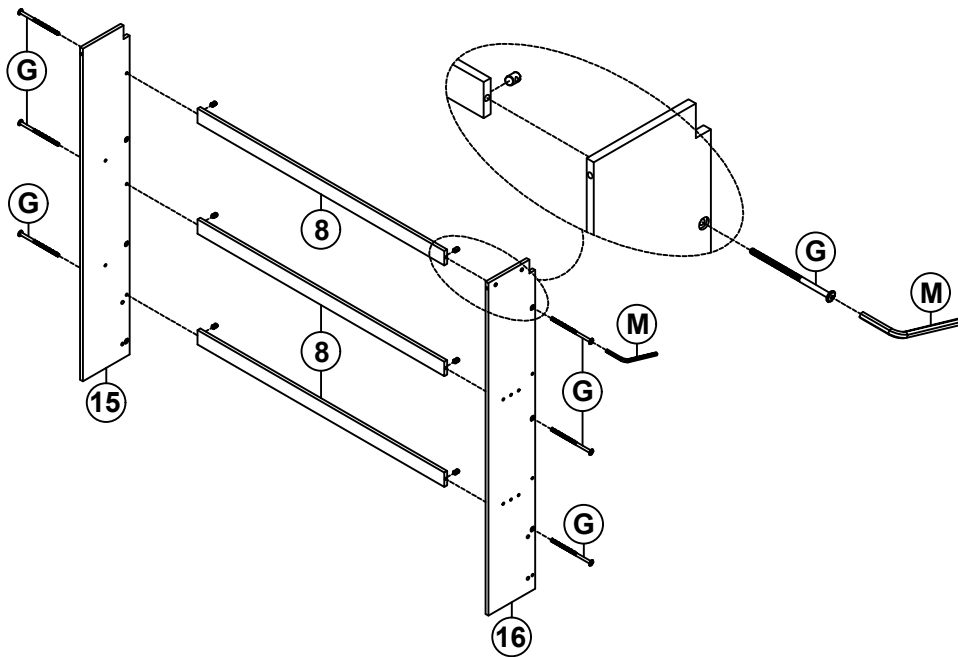
Step 2



M	4x58		1PC
----------	------	--	-----

E	1/4x65		8PCS	K	Ø10x40		4PCS
----------	--------	---	------	----------	--------	---	------

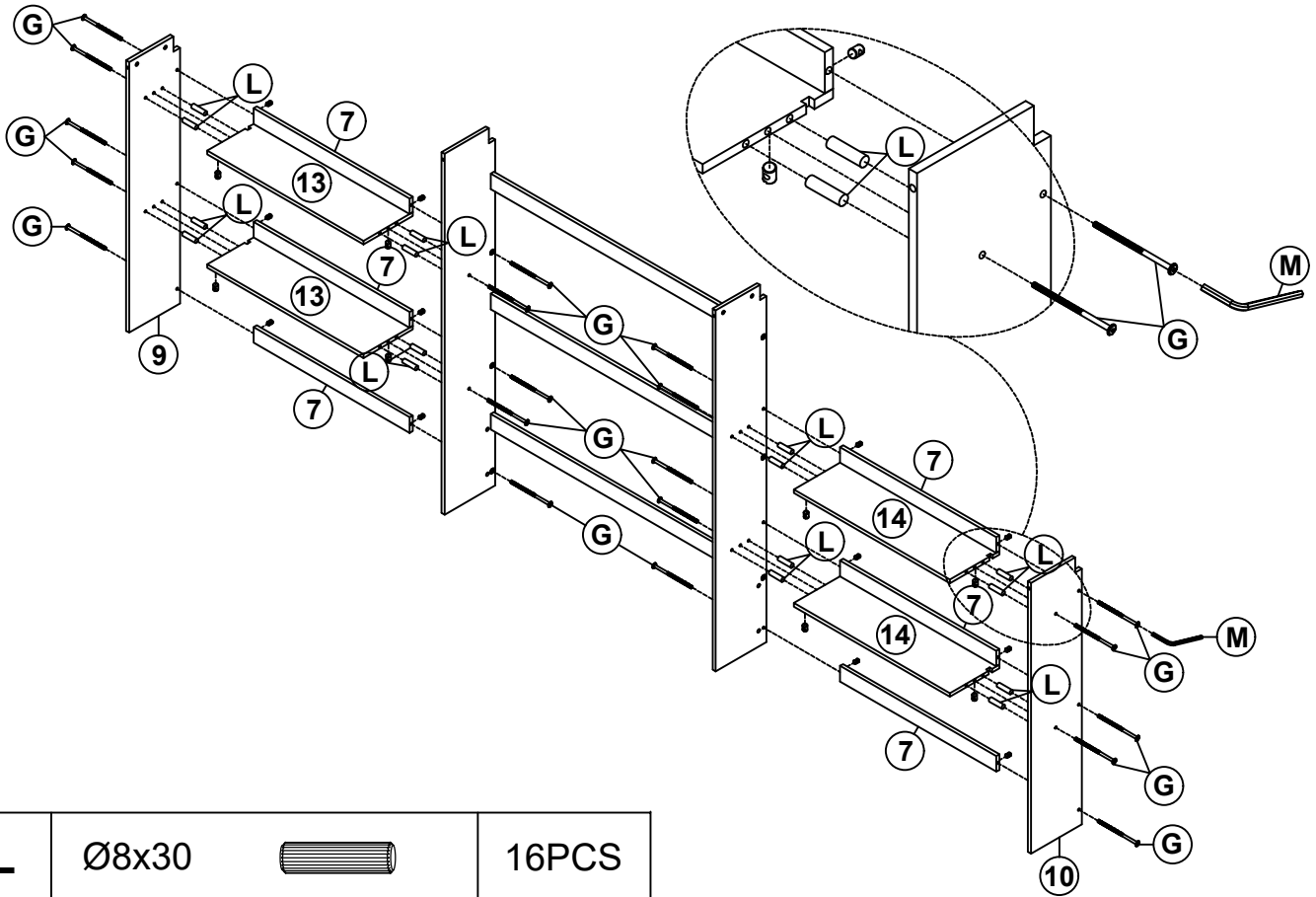
Step 3






G	1/4x50		6PCS	M	4x58		1PC
----------	--------	---	------	----------	------	---	-----

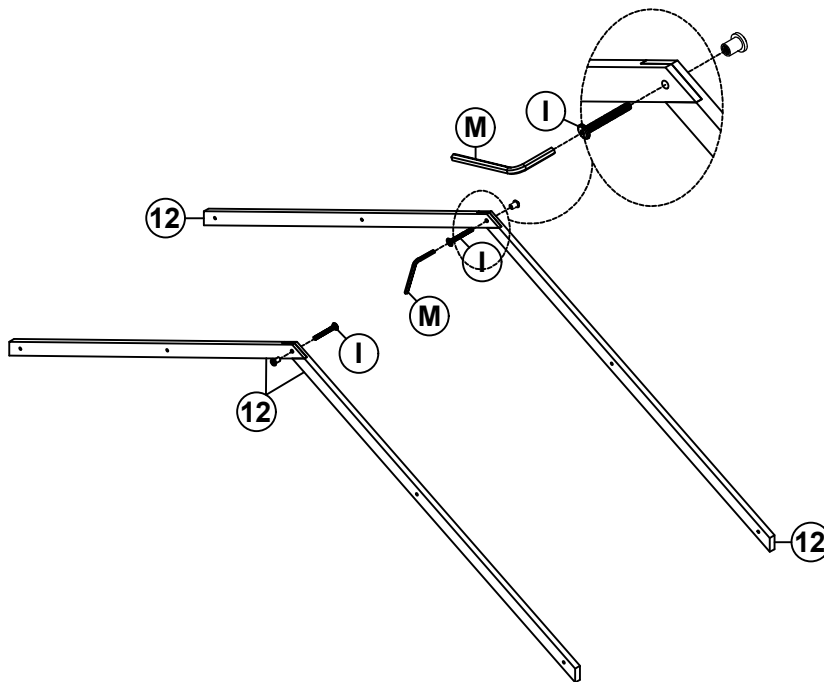
ASSEMBLY INSTRUCTIONS

Step 4



L	Ø8x30		16PCS				
G	1/4x50		20PCS	M	4x58		1PC

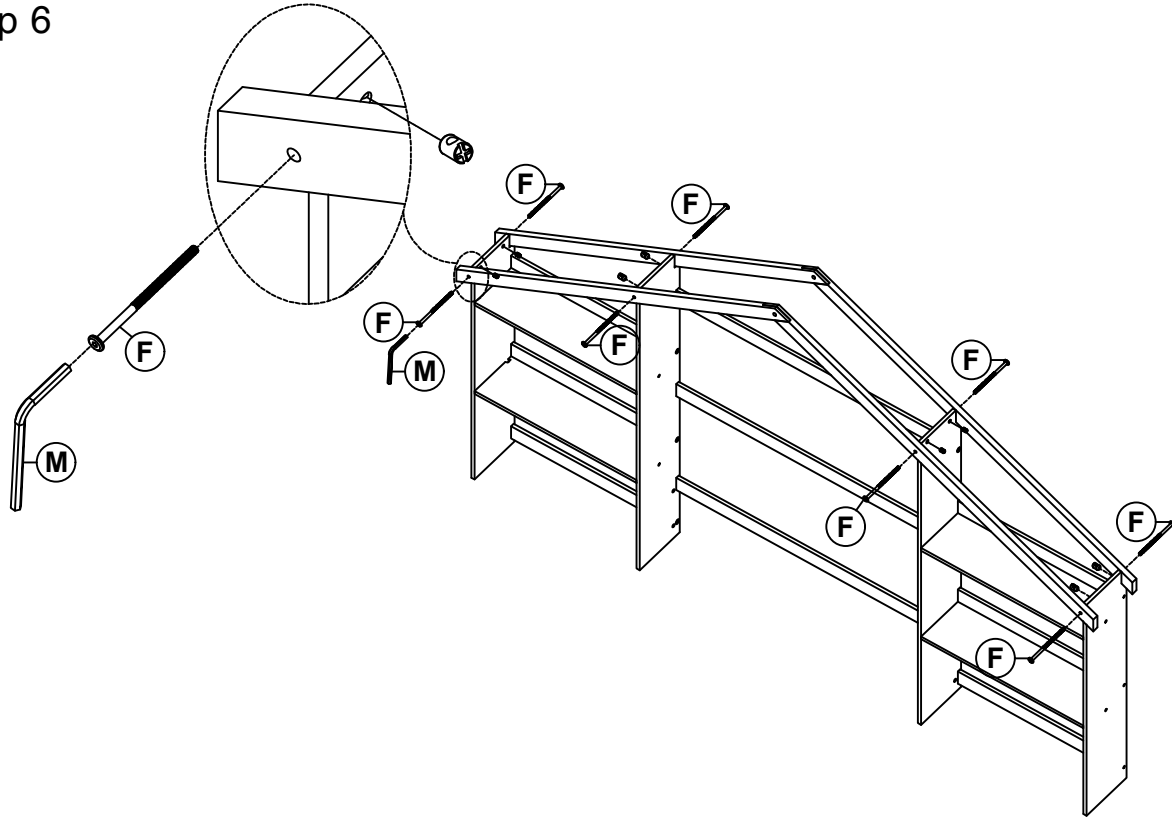
Step 5





I	1/4x15		2PCS	M	4x58		1PC
----------	--------	---	------	----------	------	---	-----

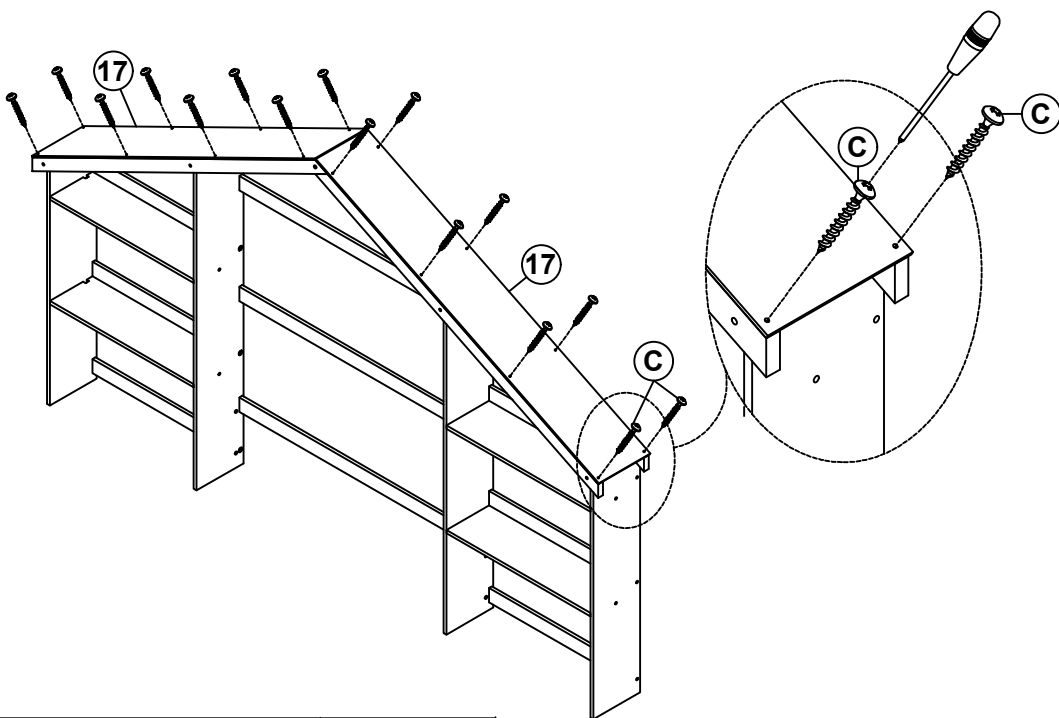
ASSEMBLY INSTRUCTIONS

Step 6



F	1/4x60		8PCS	M	4x58		1PC
----------	--------	---	------	----------	------	---	-----

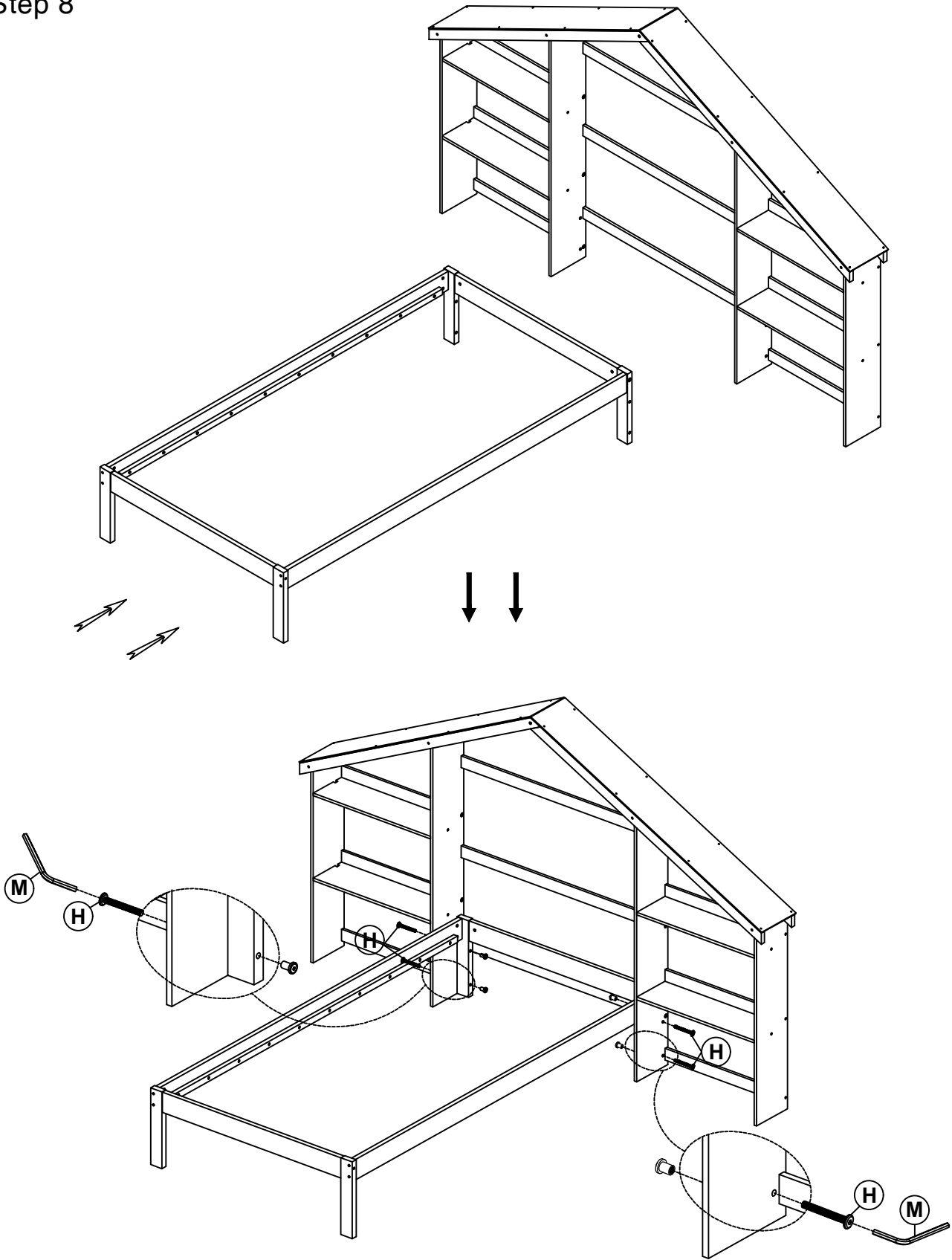
Step 7


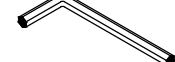


C	Ø4x20		16PCS
----------	-------	---	-------

ASSEMBLY INSTRUCTIONS

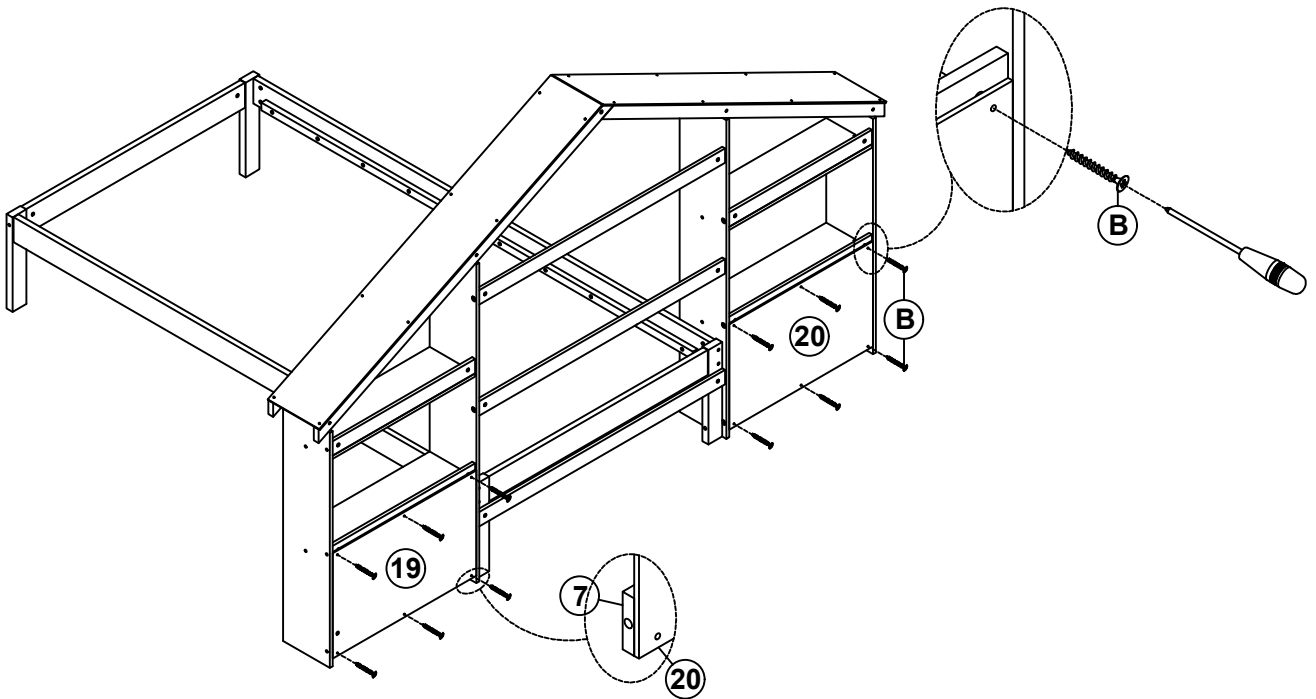
Step 8



H	1/4x65		4PCS	M	4x58		1PC
----------	--------	---	------	----------	------	---	-----

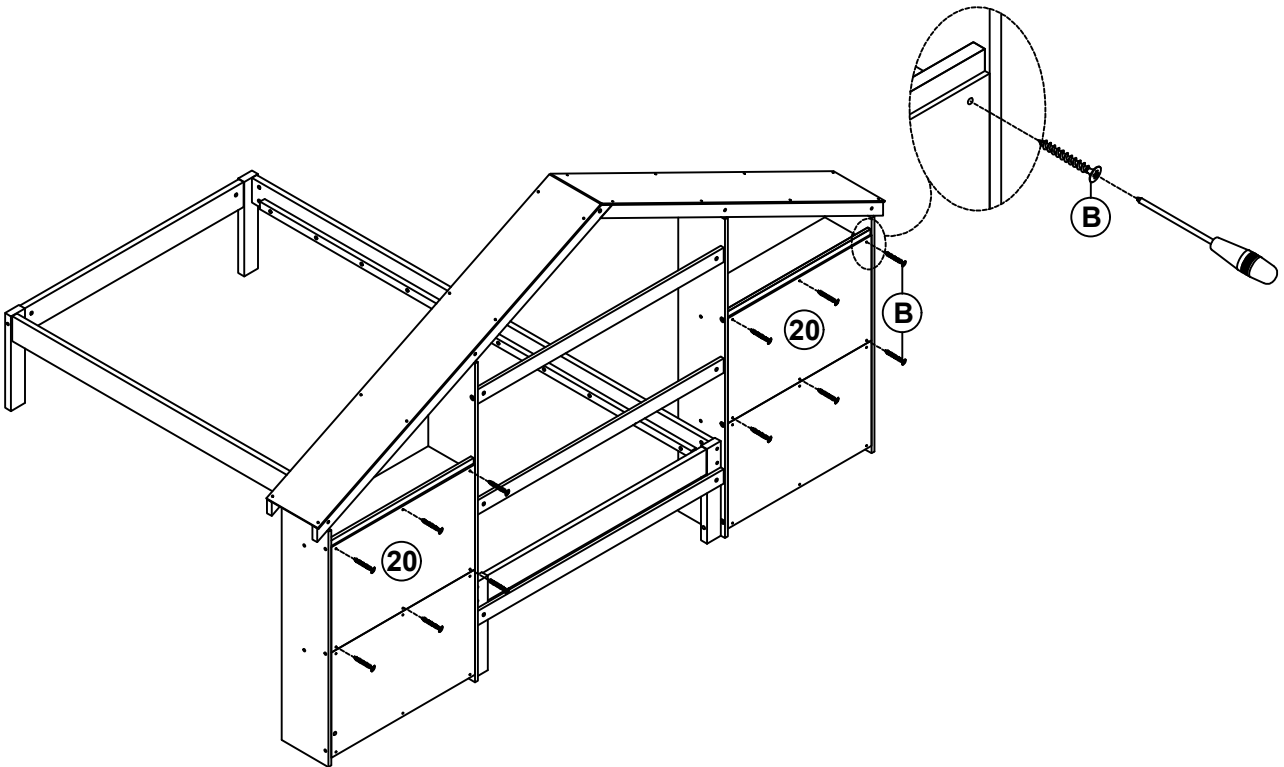
ASSEMBLY INSTRUCTIONS

Step 9



B	Ø3.5x15		12PCS
----------	---------	---	-------

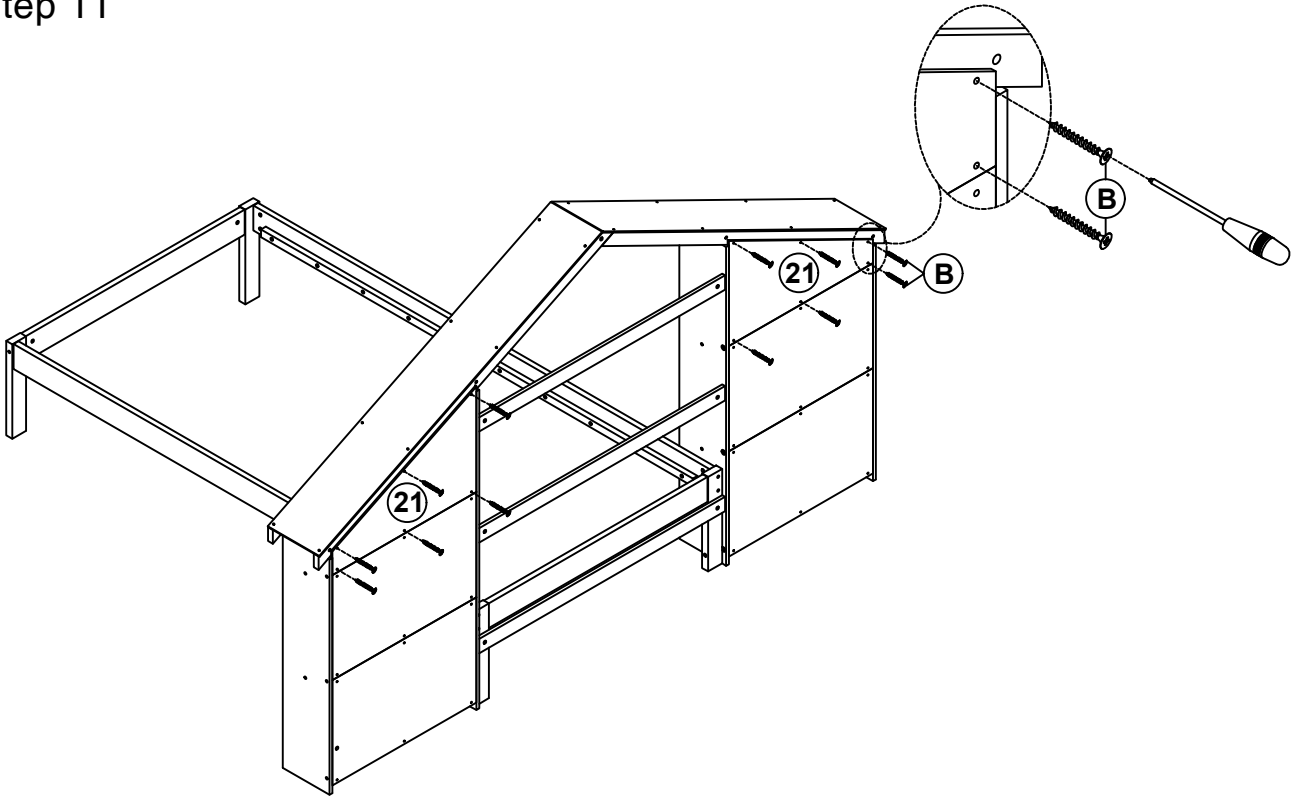
Step 10



B	Ø3.5x15		12PCS
----------	---------	---	-------

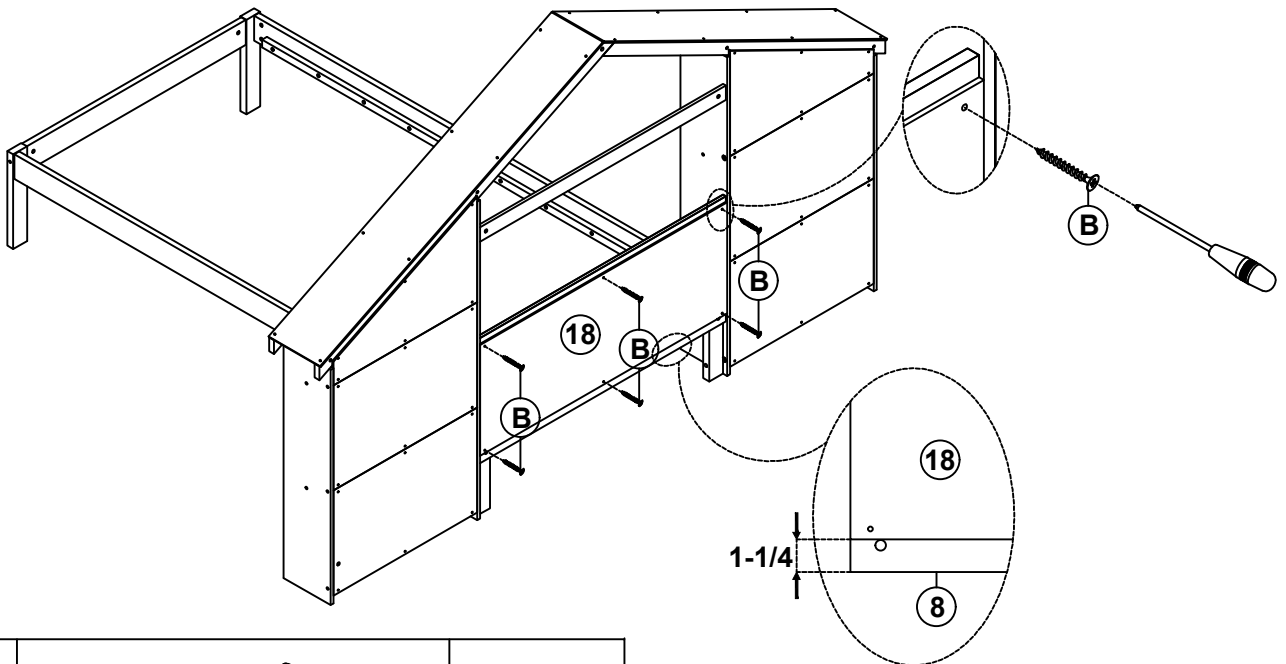
ASSEMBLY INSTRUCTIONS

Step 11



B	Ø3.5x15		12PCS
----------	---------	---	-------

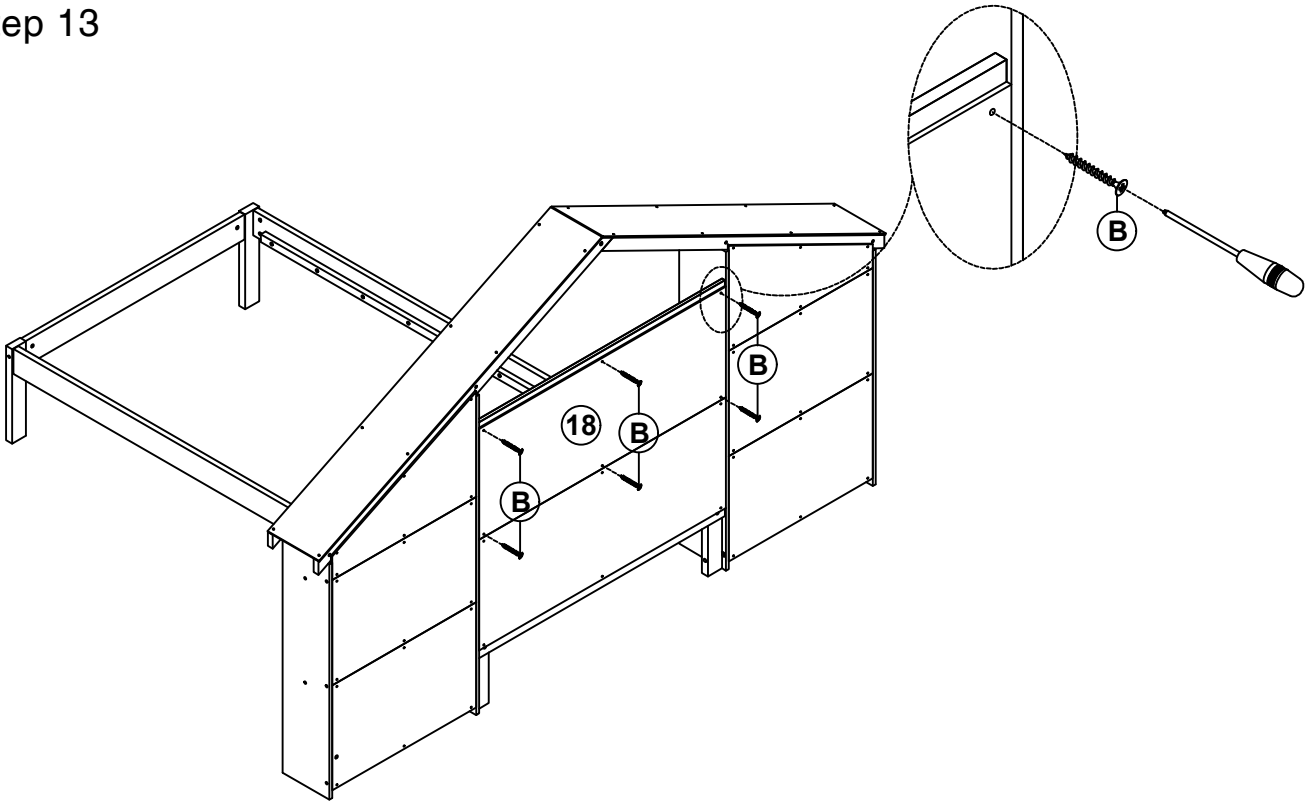
Step 12



B	Ø3.5x15		6PCS
----------	---------	---	------

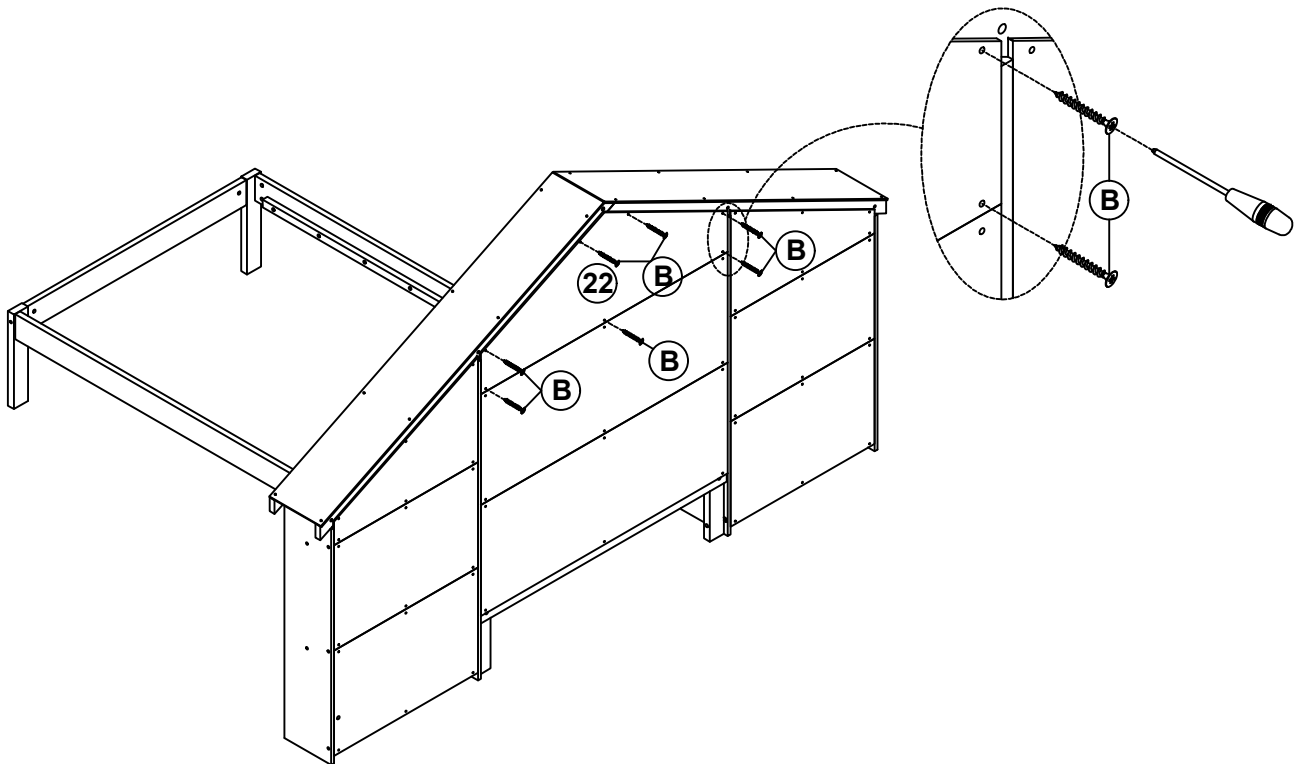
ASSEMBLY INSTRUCTIONS

Step 13



B	Ø3.5x15		6PCS
----------	---------	---	------

Step 14

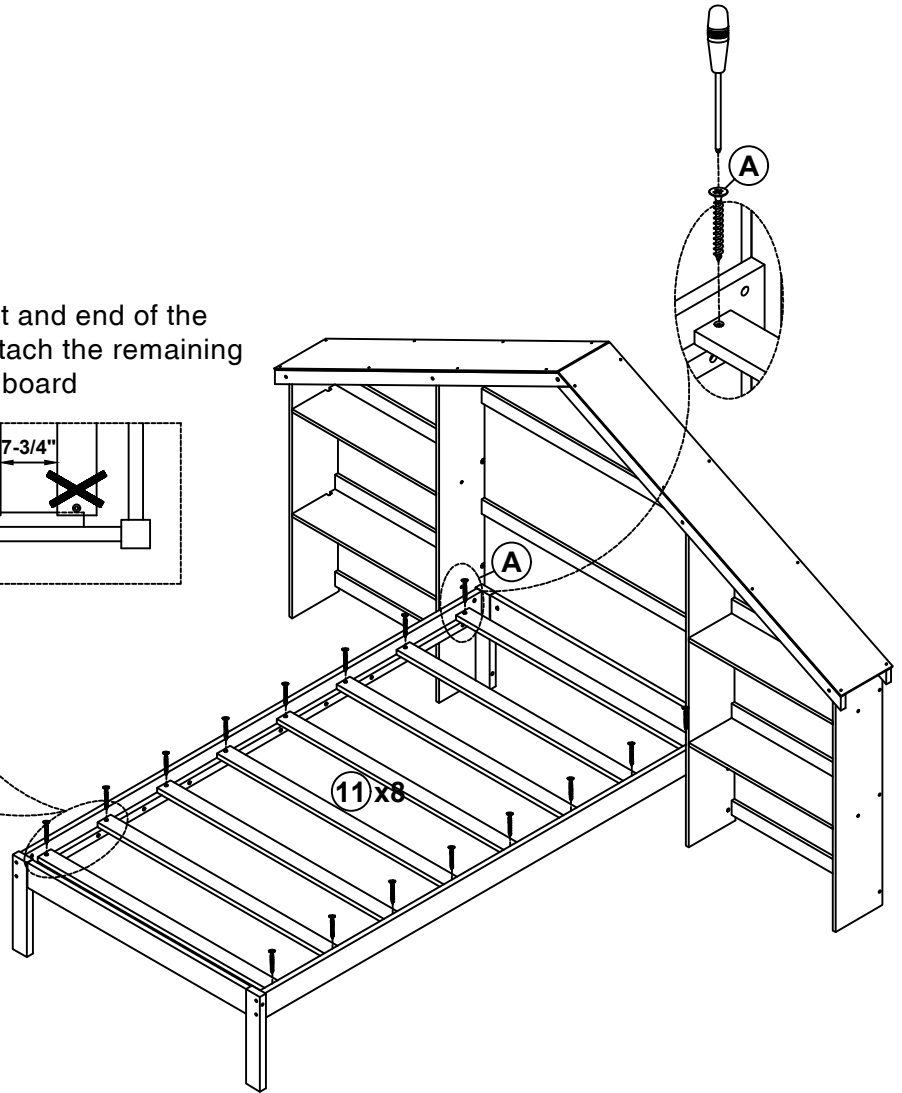
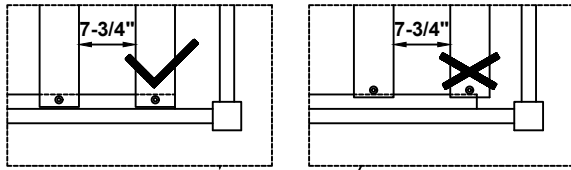


B	Ø3.5x15		7PCS
----------	---------	---	------

ASSEMBLY INSTRUCTIONS

Step 15

First attach 2 pcs part 11 to the front and end of the frame between headboard. Then attach the remaining part 11 equidistantly between headboard



11x8

A

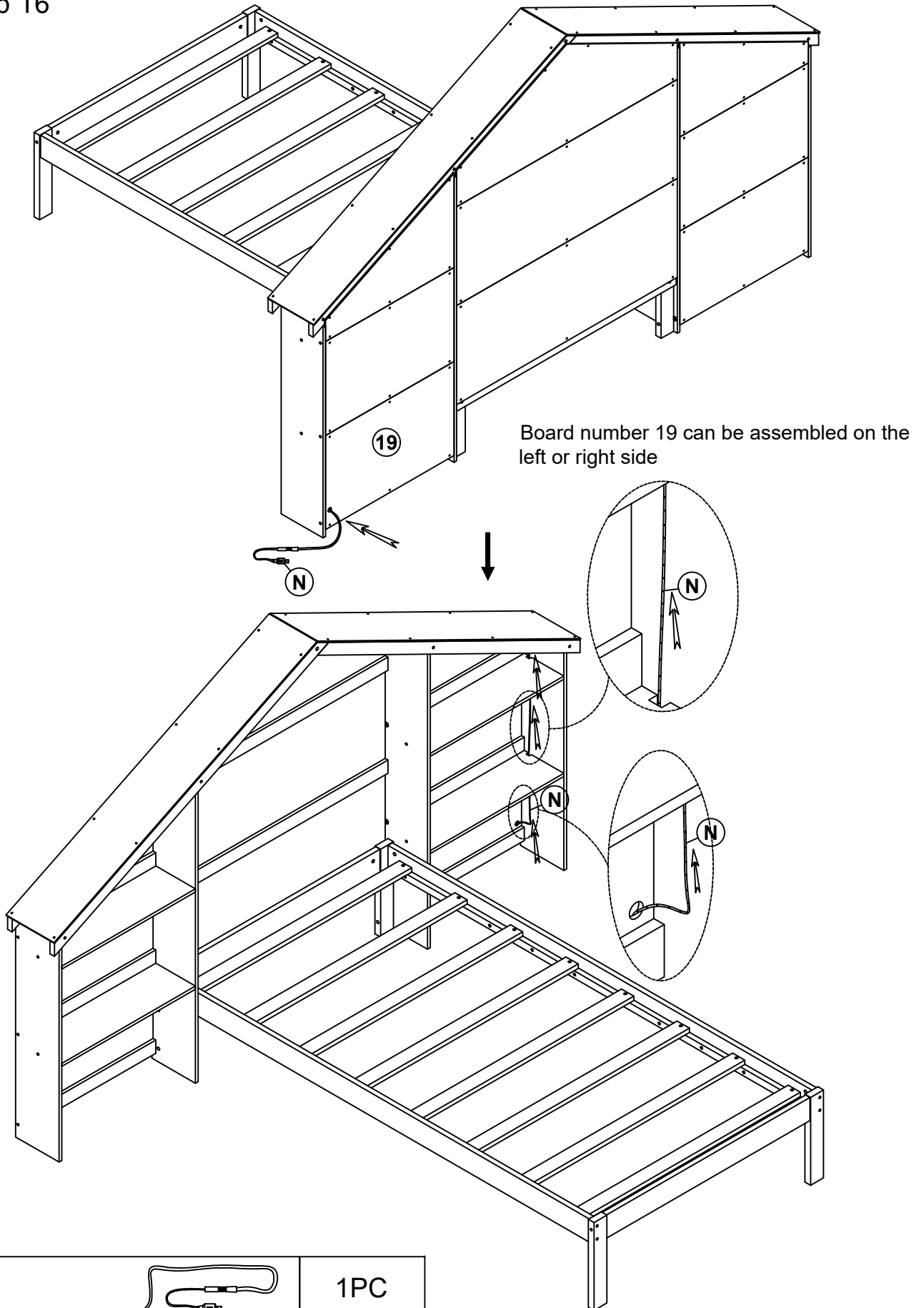
Ø4x30



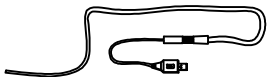
16PCS

ASSEMBLY INSTRUCTIONS

Step 16



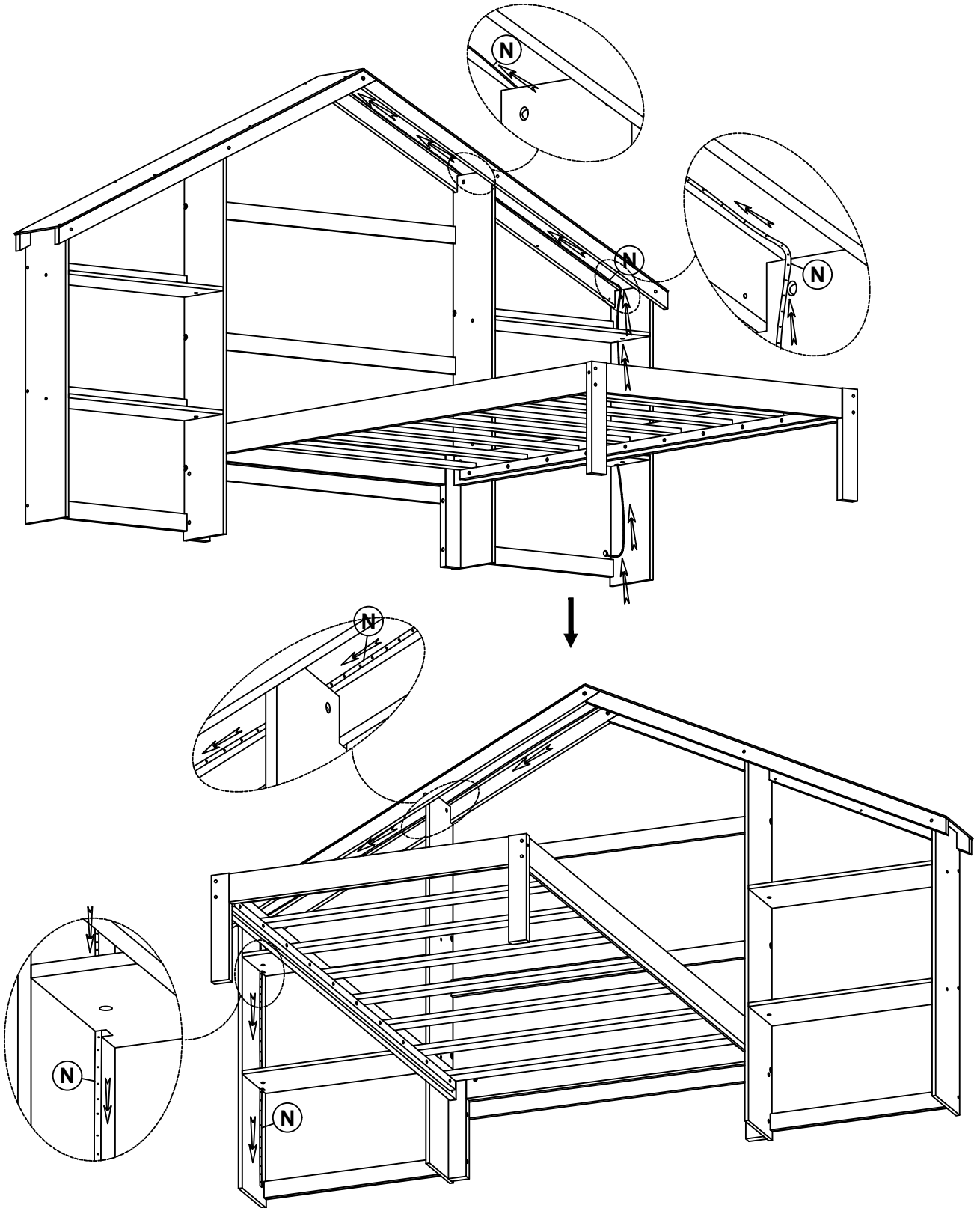
N



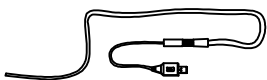
1PC

ASSEMBLY INSTRUCTIONS

Step 17



N



1PC