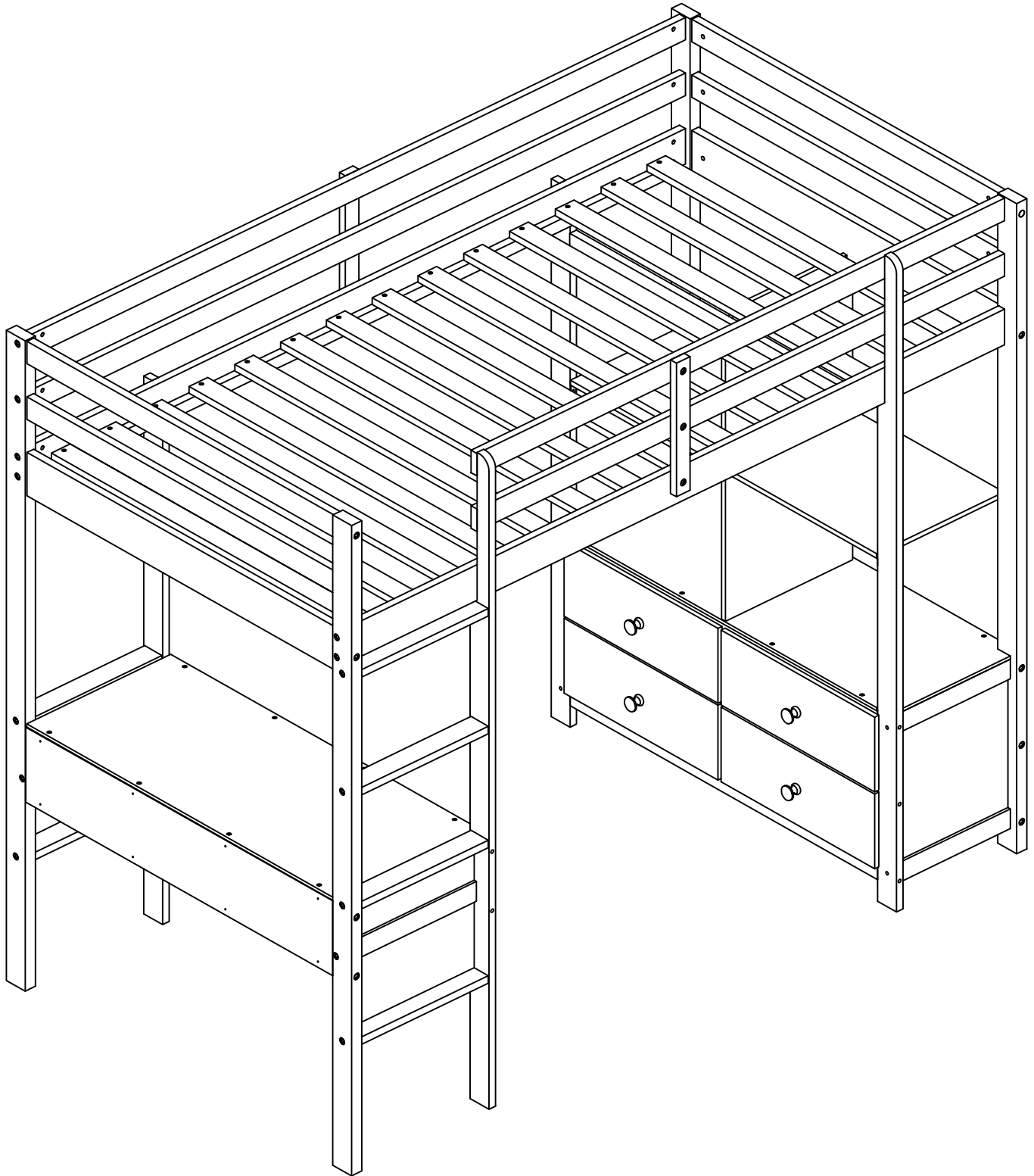


# ASSEMBLY INSTRUCTION

SKU CODE: (WF318454-WF318455)



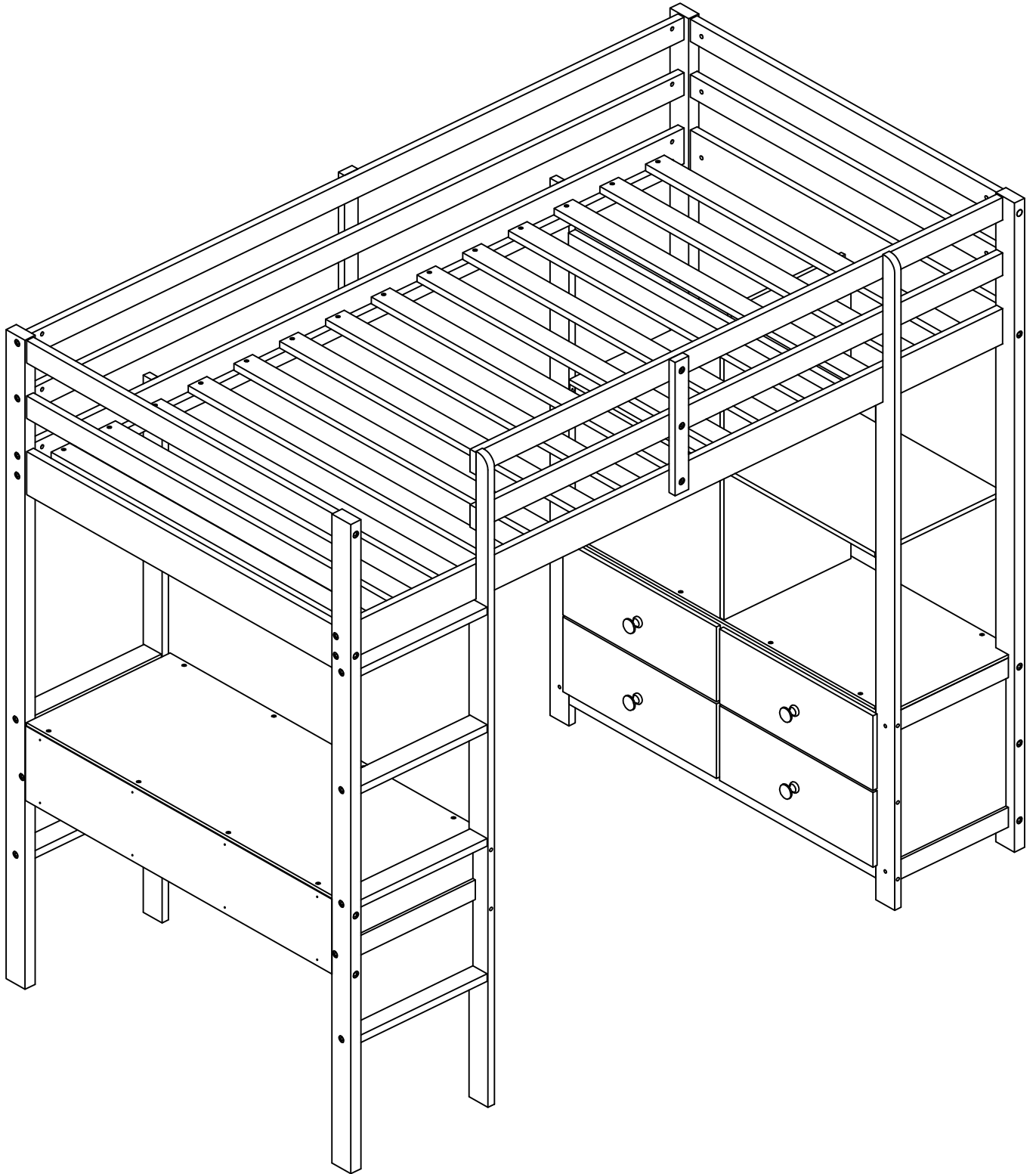
# **! SAFETY WARNINGS !**

1. This bed is designed for use only mattress (es) meeting the following specifications on the upper bunk

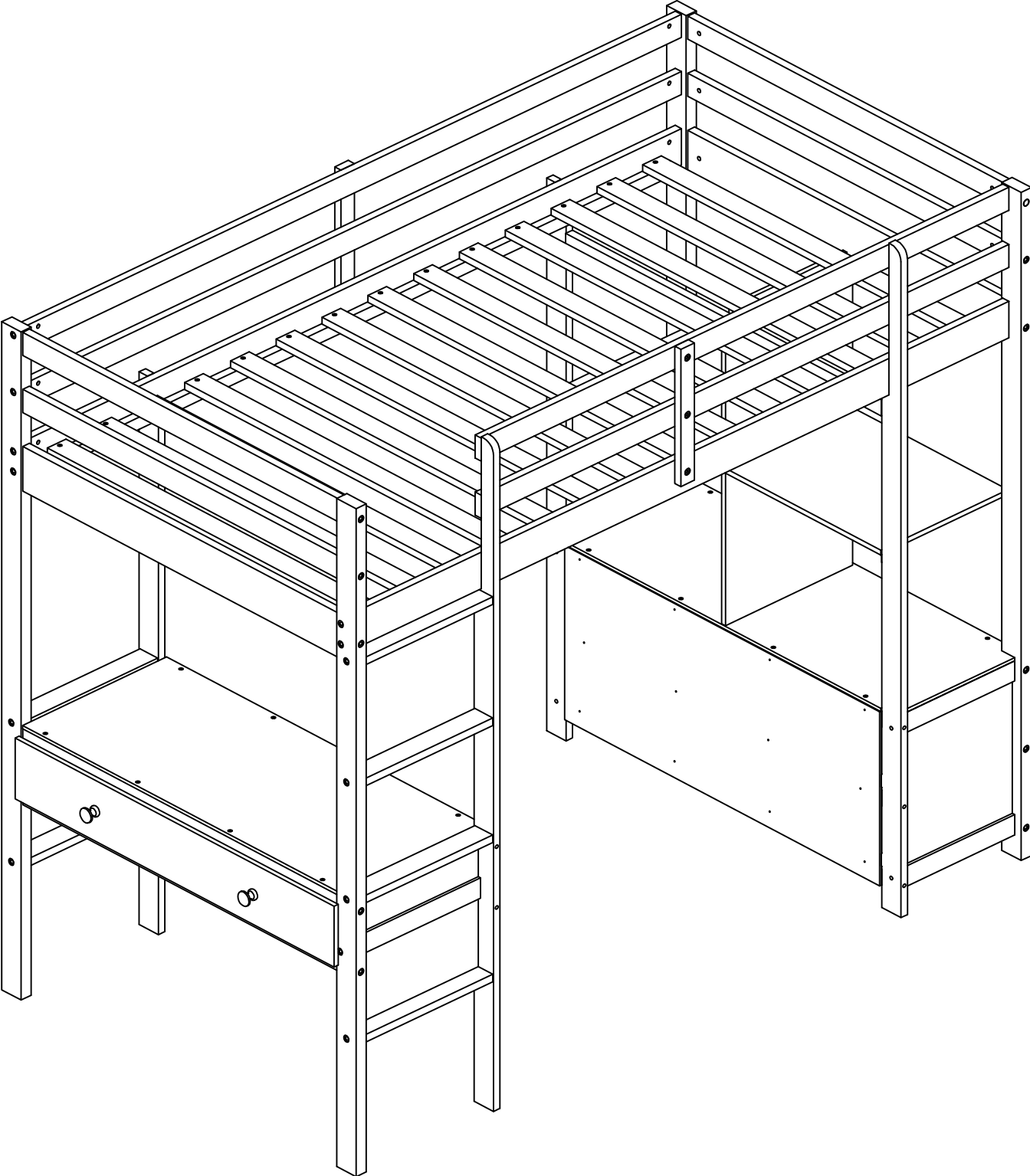
<b>Upper bed Bed Type</b>	<b>Length</b>	<b>Width</b>	<b>Thickness</b>
<i>Twin Standard</i>	<i>74" - 75"</i>	<i>38 1/2"</i>	<i>6" max</i>

2. Replacement parts, including additional guardrails, maybe obtained from any of our (GIGACLOUD TECHNOLOGY (USA) INC. 18961 ARENTH AVENUE CITY OF INDUSTRY, CA, 91748) dealers
3. Follow the information on the warnings appearing on the upper bunk bed end structure and on the carton. Do not remove warning label from bed
4. Always use the recommended size mattresses or mattress supports, or both, to help prevent the likelihood of entrapment or falls.
5. Surface of mattress must be at least 5" (127mm) below the upper edge of guardrails
6. Do not allow children under 6 years of age to use the upper bunk.
7. Periodically check and ensure that the guardrail, ladder, and other components are in their proper position, free from damage, and that all connectors are tight.
8. Do not allow horseplay on or under the bed and prohibit jumping on the bed.
9. Always use the ladder for entering and leaving the upper bunk.
10. Do not use substitute part. Contact the manufacture or dealer for replacement part
11. Use of a night light may provide added safety precaution for a child using the upper bunk..
12. Always use guardrails on both long sides of the upper bunk. If the bunk bed will be placed next to the wall, the guardrail that runs the full length of the bed should be placed against the wall to prevent entrapment between the bed and wall.
13. The use of water or sleep flotation mattresses is prohibited
14. STRANGULATION HAZARD - Never attach or hang items to any part of the bunk bed that are not designed for use with the bed; for example, but not limited to, hook, belts and jump ropes
15. Keep these instruction for future reference
16. Prohibit more than one person on upper bunk
17. We recommend assembling your bunk bed on the shipping carton to protect your floor or carpet
18. Be certain all staples are out of the box before beginning assembly on the shipping carton.

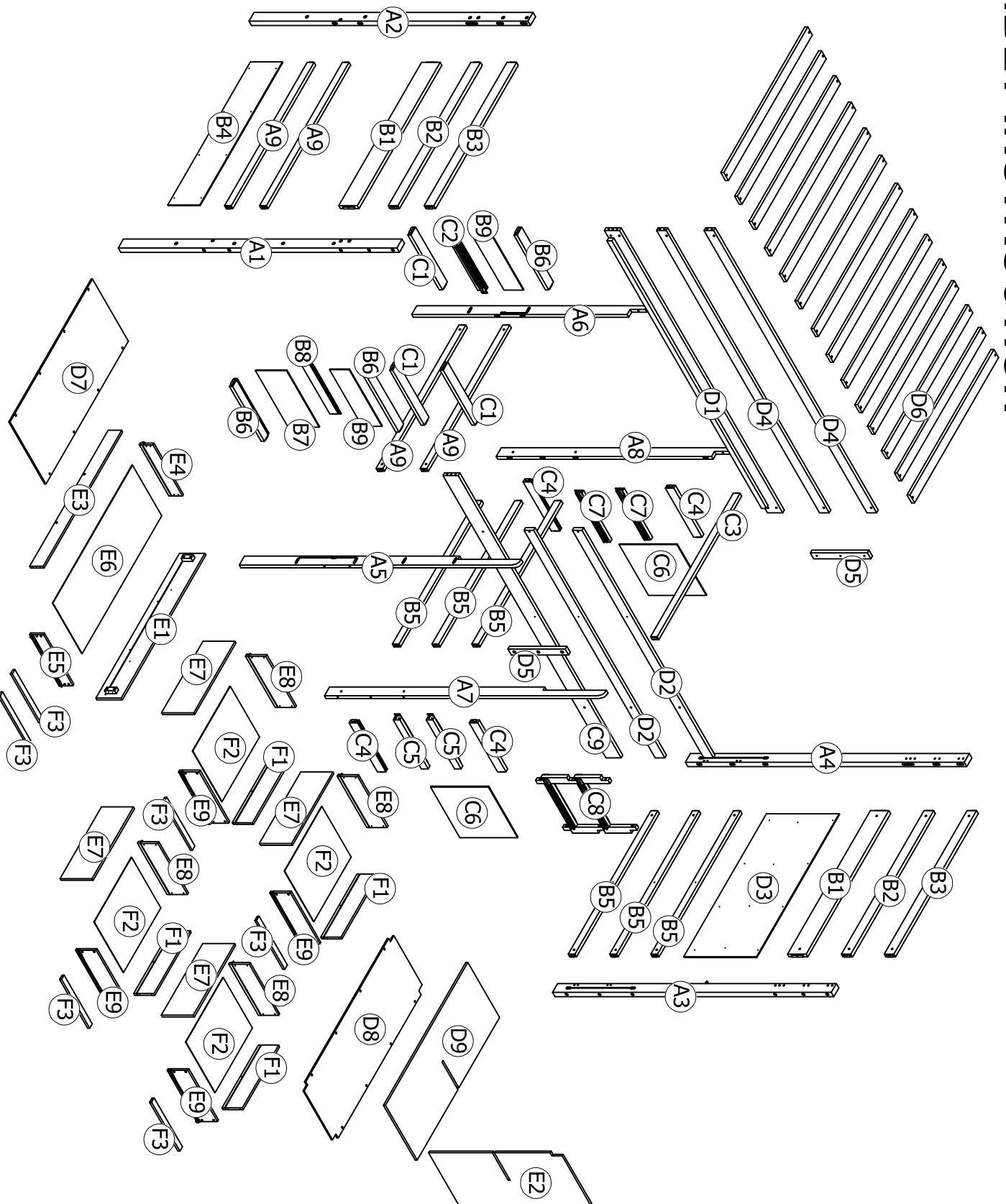
## OPTION 1: DRAWER -INSIDE



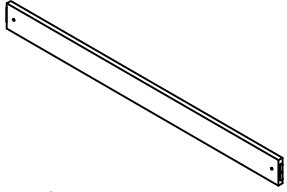
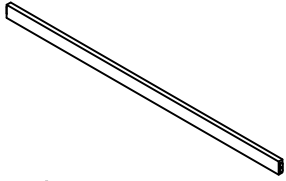
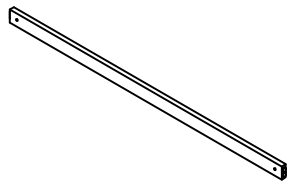
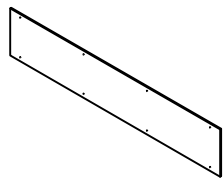
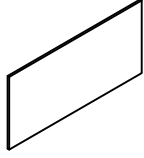
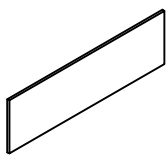
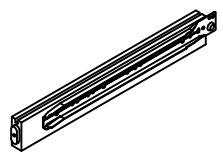
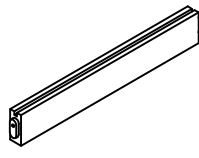
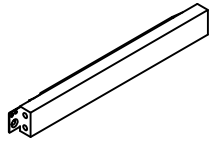
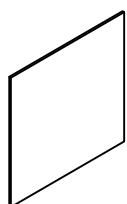
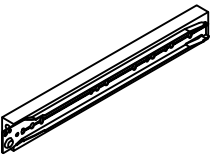
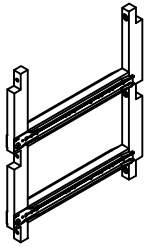
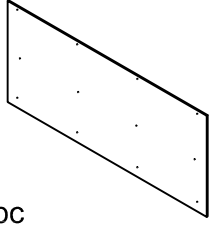

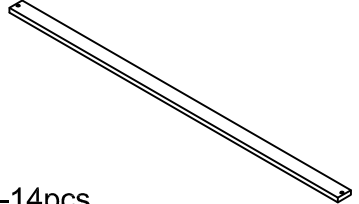
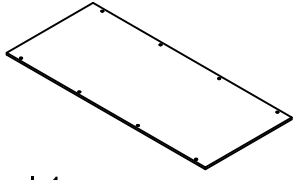
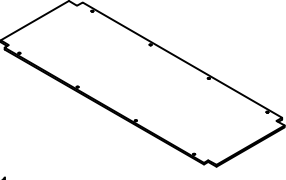
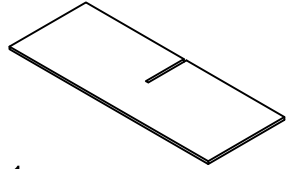
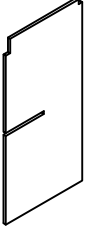
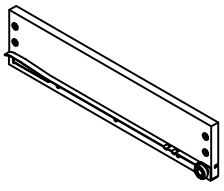
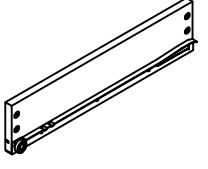
**OPTION 2: DRAWER -OUTSIDE**



# ASSEMBLY INSTRUCTION

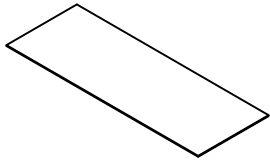


# Part List & Hardware List (Box1-WF318454)

<p><b>B1</b></p>  <p>WoodBar-2pcs</p>	<p><b>B2</b></p>  <p>WoodBar-2pcs</p>	<p><b>B3</b></p>  <p>WoodBar-2pcs</p>
<p><b>B4</b></p>  <p>Panel-1pc</p>	<p><b>B7</b></p>  <p>Panel-1pc</p>	<p><b>B9</b></p>  <p>Panel-2pcs</p>
<p><b>C2</b></p>  <p>WoodBar-1pc</p>	<p><b>C4</b></p>  <p>WoodBar-4pcs</p>	<p><b>C5</b></p>  <p>WoodBar-2pcs</p>
<p><b>C6</b></p>  <p>Panel-2pcs</p>	<p><b>C7</b></p>  <p>WoodBar-2pcs</p>	<p><b>C8</b></p>  <p>WoodBar-1pc</p>
<p><b>D3</b></p>  <p>Panel-1pc</p>	<p><b>D5</b></p>  <p>WoodBar-2pcs</p>	<p><b>D6</b></p>  <p>Slats-14pcs</p>
<p><b>D7</b></p>  <p>Panel-1pc</p>	<p><b>D8</b></p>  <p>Panel-1pc</p>	<p><b>D9</b></p>  <p>Panel-1pc</p>
<p><b>E2</b></p>  <p>Panel-1pc</p>	<p><b>E4</b></p>  <p>Side Drawers-1pc</p>	<p><b>E5</b></p>  <p>Side Drawers-1pc</p>

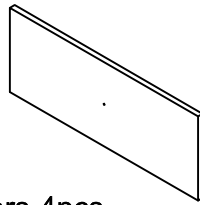
# Part List & Hardware List (Box1-WF318454)

E6



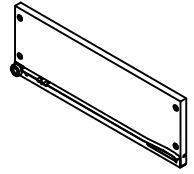
Bottom Drawers-1pc

E7



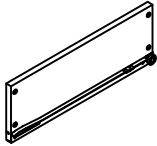
Front Drawers-4pcs

E8



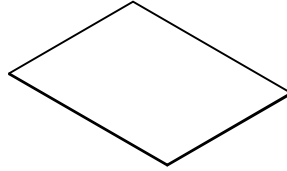
Side Drawers-4pcs

E9



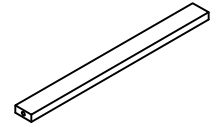
Side Drawers-4pcs

F2











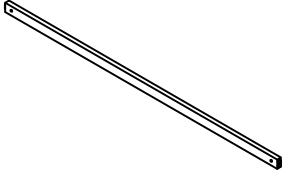
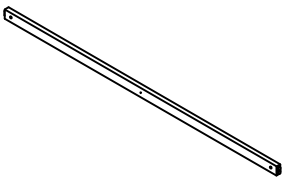

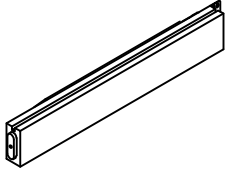
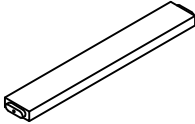
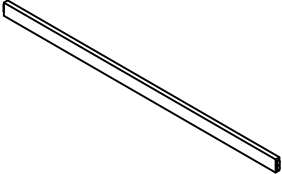
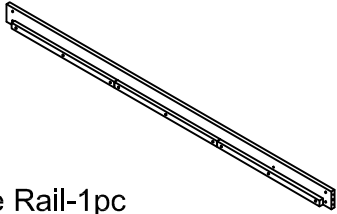
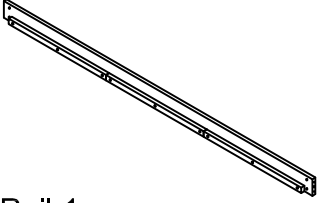
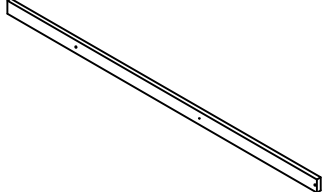
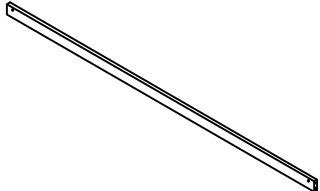
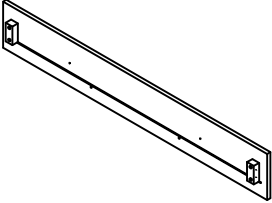
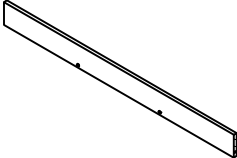
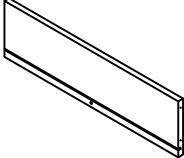
Bottom Drawers-4pcs

F3



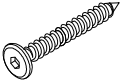
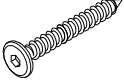

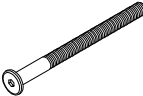
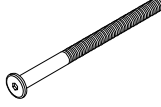

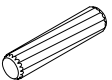
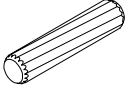
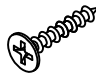
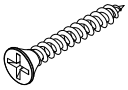
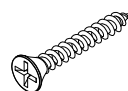
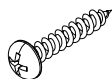
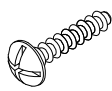

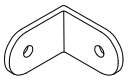
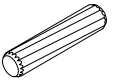
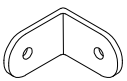

Support Drawers-6pcs

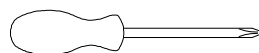
# Part List (Box2-WF318455)

<p>A1</p>  <p>Leg-1pc</p>	<p>A2</p>  <p>Leg-1pc</p>	<p>A3</p>  <p>Leg-1pc</p>
<p>A4</p>  <p>Leg-1pc</p>	<p>A5</p>  <p>Leg-1pc</p>	<p>A6</p>  <p>Leg-1pc</p>
<p>A7</p>  <p>Leg-1pc</p>	<p>A8</p>  <p>Leg-1pc</p>	<p>A9</p>  <p>WoodBar-4pcs</p>
<p>B5</p>  <p>WoodBar-6pcs</p>	<p>B6</p>  <p>WoodBar-3pcs</p>	<p>B8</p>  <p>WoodBar-1pc</p>
<p>C1</p>  <p>WoodBar-3pcs</p>	<p>C3</p>  <p>WoodBar-1pc</p>	<p>C9</p>  <p>Side Rail-1pc</p>
<p>D1</p>  <p>Side Rail-1pc</p>	<p>D2</p>  <p>WoodBar-2pcs</p>	<p>D4</p>  <p>WoodBar-2pcs</p>
<p>E1</p>  <p>Front Drawers-1pc</p>	<p>E3</p>  <p>Back Drawers-1pc</p>	<p>F1</p>  <p>Back Drawers-4pcs</p>



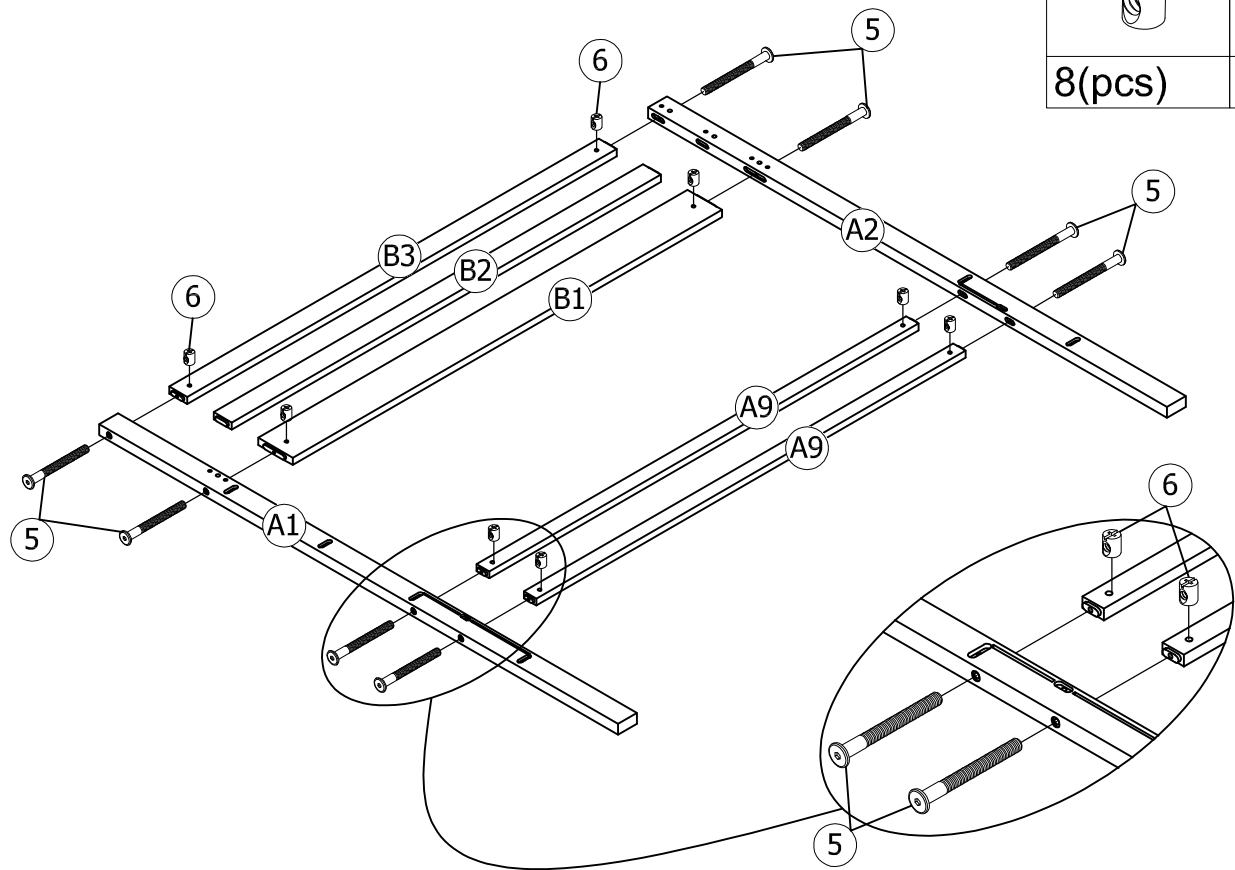
# Hardware List (Box 1-WF318454)



<p>1</p>  <p>Screws 1/4" x30 12pcs</p>	<p>2</p>  <p>Screws 1/4" x40 20pcs</p>	<p>3</p>  <p>Screws 1/4" x50 12pcs</p>
<p>4</p>  <p>Ø1/4" x 80 mm Hex-Head bolts 14pcs</p>	<p>5</p>  <p>Ø1/4" x 100 mm Hex-Head bolts 28pcs</p>	<p>6</p>  <p>Ø1/4" x 13 mm Horizontal-Hole bolts 42pcs</p>
<p>7</p>  <p>Ø8 x 30 mm Wood dowel 16pcs</p>	<p>8</p>  <p>Ø10 x 40 mm Wood dowel 10pcs</p>	<p>9</p>  <p>M3.5 x 12 mm Wood Screws 28pcs</p>
<p>10</p>  <p>M4 x 20 mm Wood Screws 16pcs</p>	<p>11</p>  <p>M4 x 30 mm Wood Screws 74pcs</p>	<p>12</p>  <p>M4 x 15 mm Wood Screws 20pcs</p>
<p>13</p>  <p>M4 x 25 mm Wood Screws 6pcs</p>	<p>14</p>  <p>Handle Wood 6pcs</p>	<p>15</p>  <p>Steel Bracket 8pcs</p>
<p>17</p>  <p>Ø6 x 30 mm Wood dowel 6pcs</p>	<p>18</p>  <p>Steel Bracket 6pcs</p>	<p>20</p>  <p>Allen Key 1pc</p>



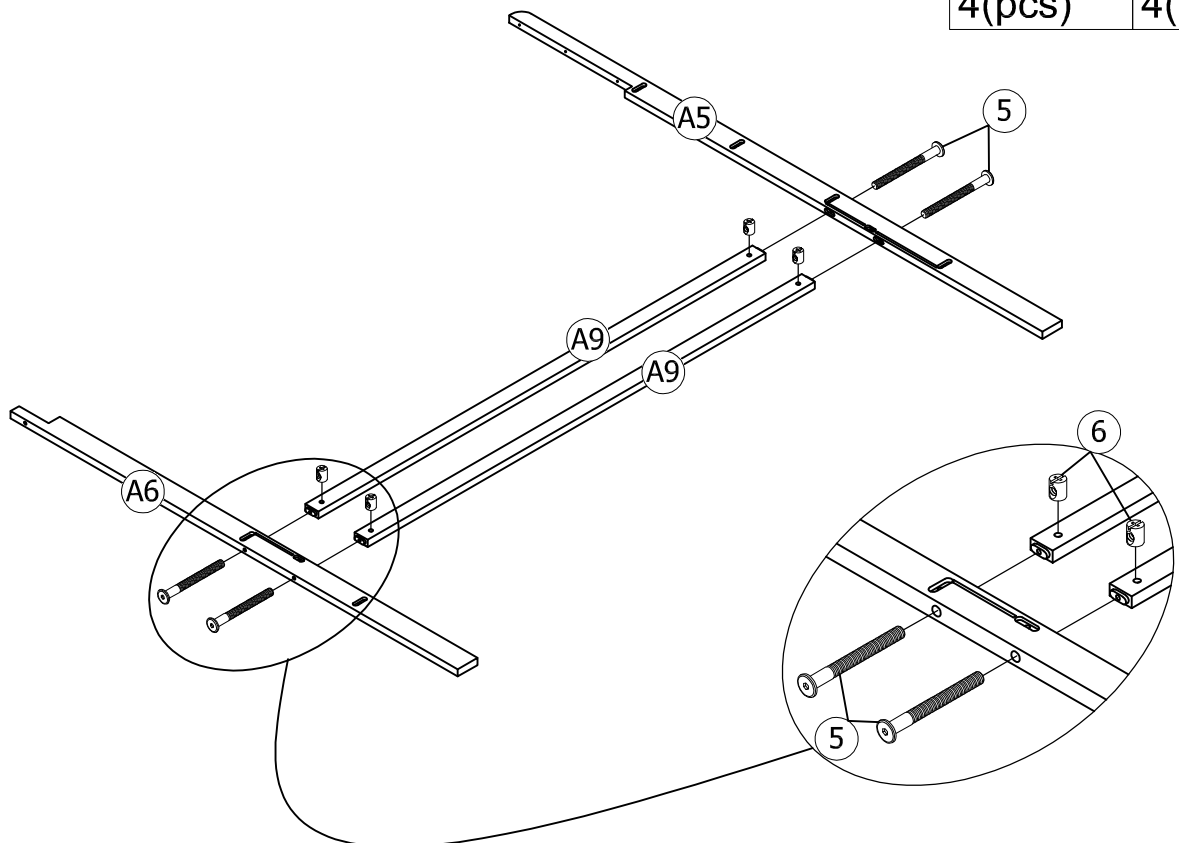
Assembly Tools Required (Not Included)



**STEP1:** Following below illustration.



6	5
	
8(pcs)	8(pcs)

**STEP2:** Following below illustration.



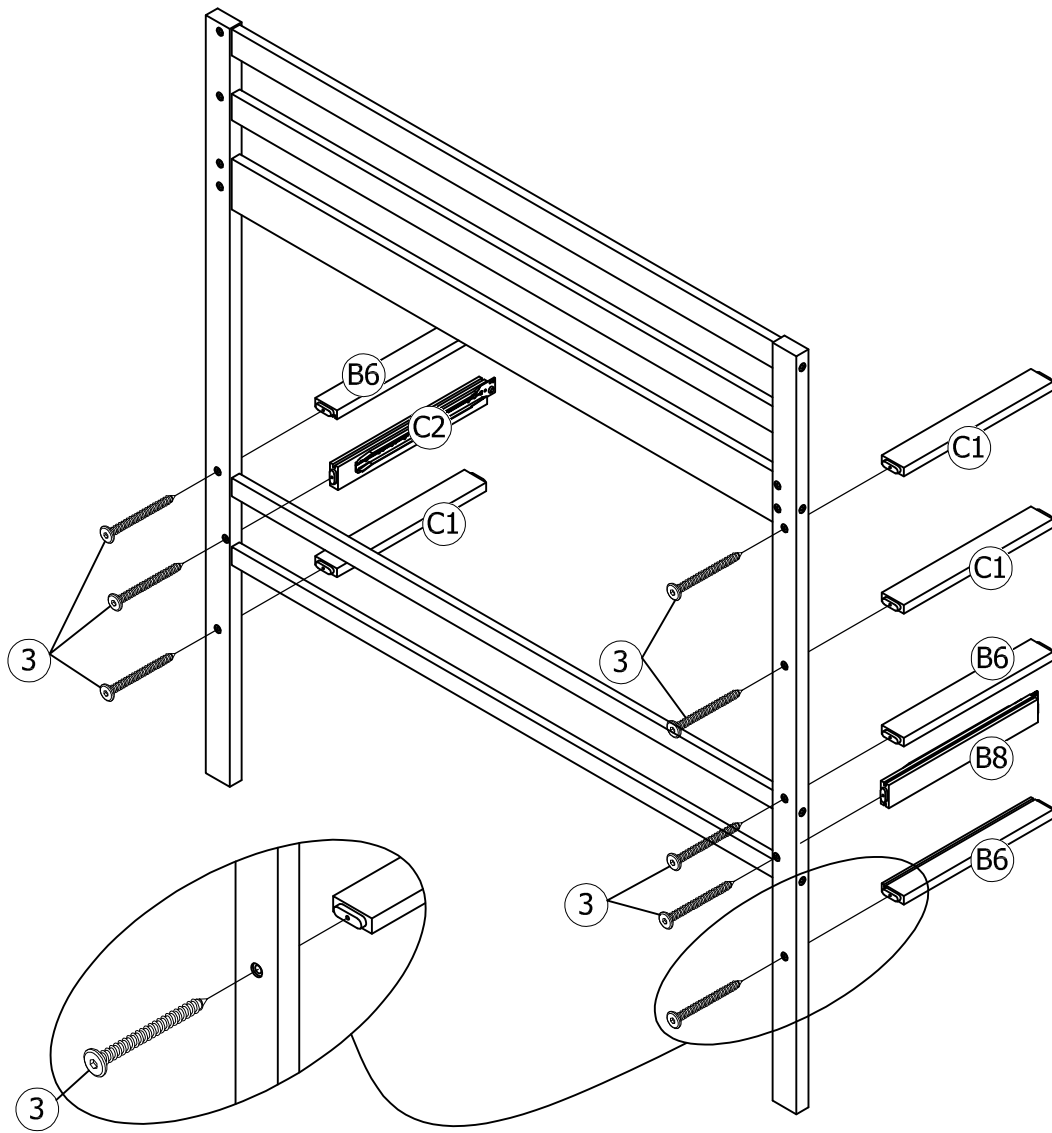
6	5
	
4(pcs)	4(pcs)

**STEP3:** Following below illustration.

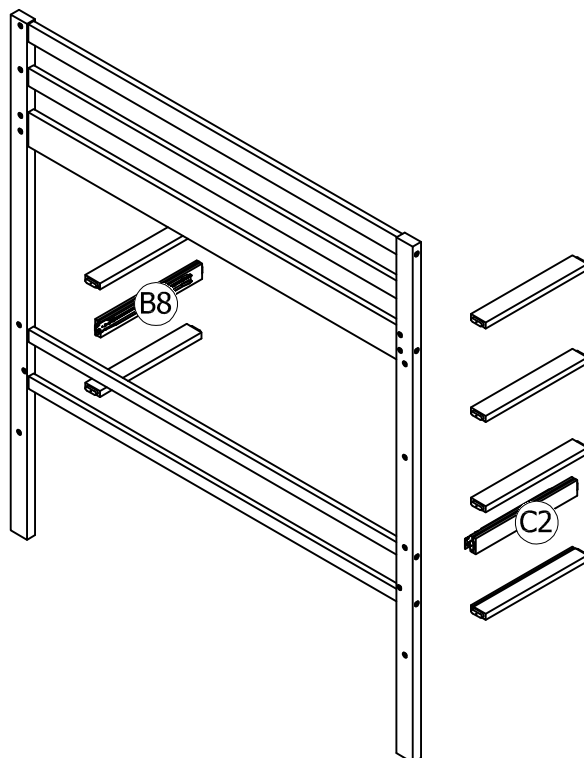
3



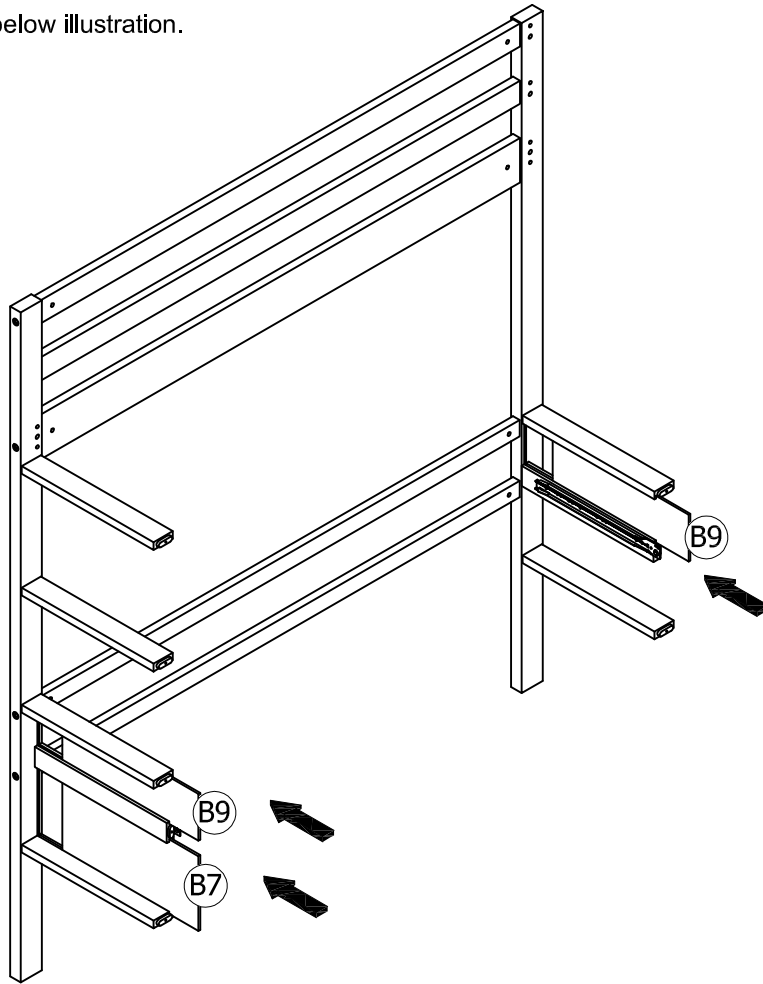
8(pcs)



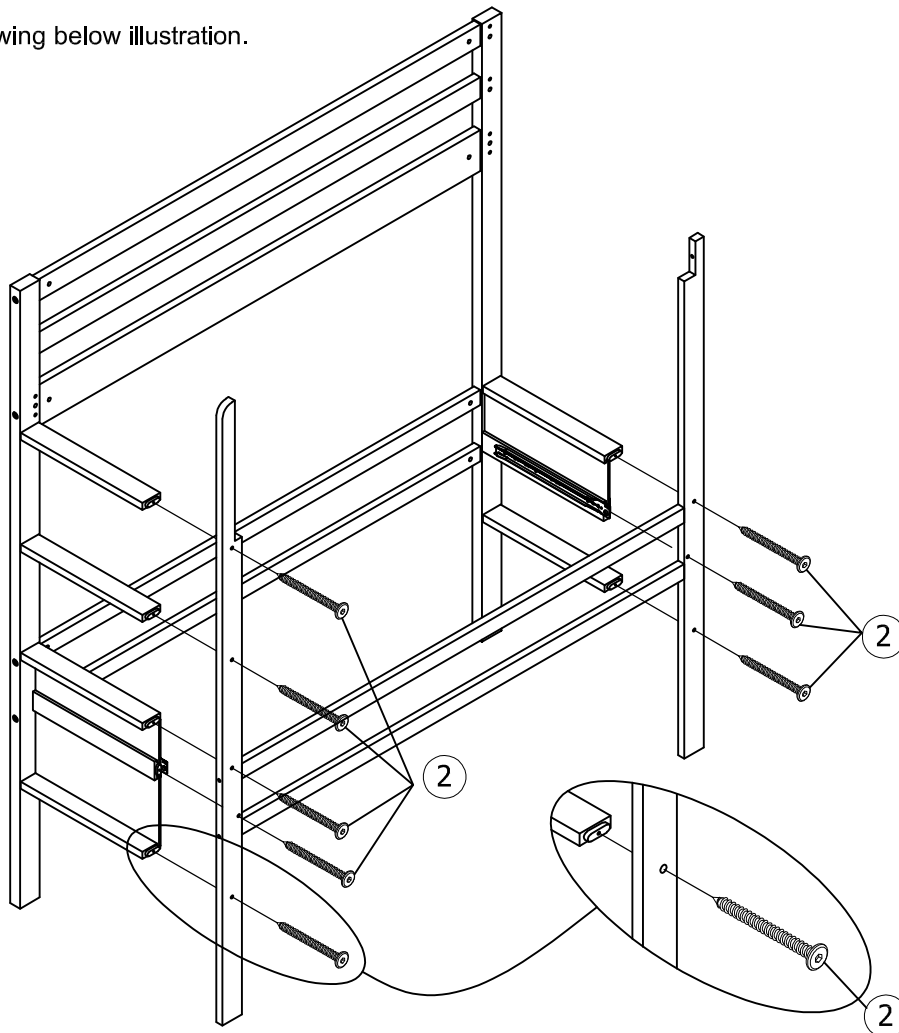
**OPTION 2**



**STEP4:** Following below illustration.



**STEP5:** Following below illustration.



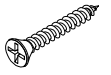
2



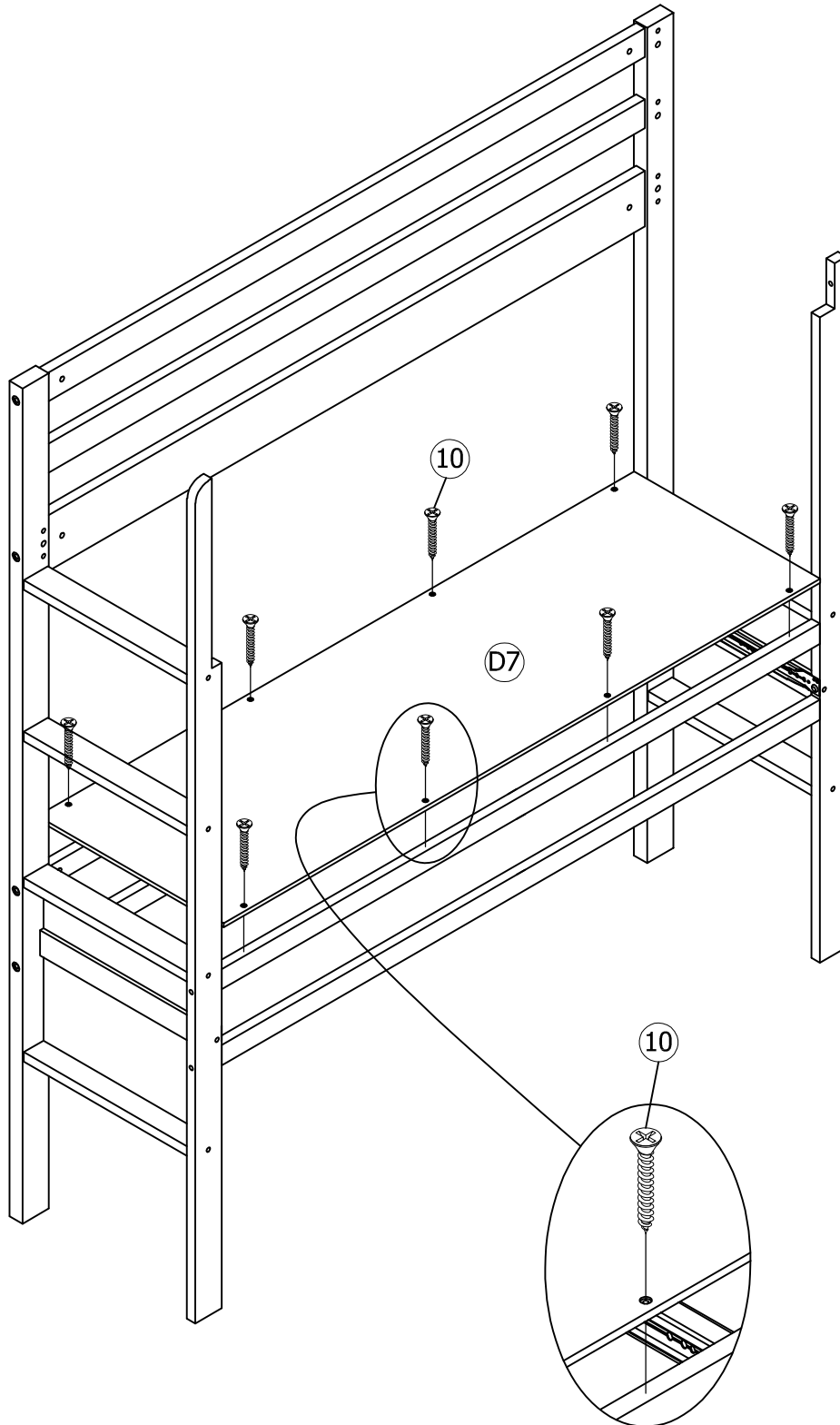
8(pcs)

**STEP6:** Following below illustration.

10



8(pcs)

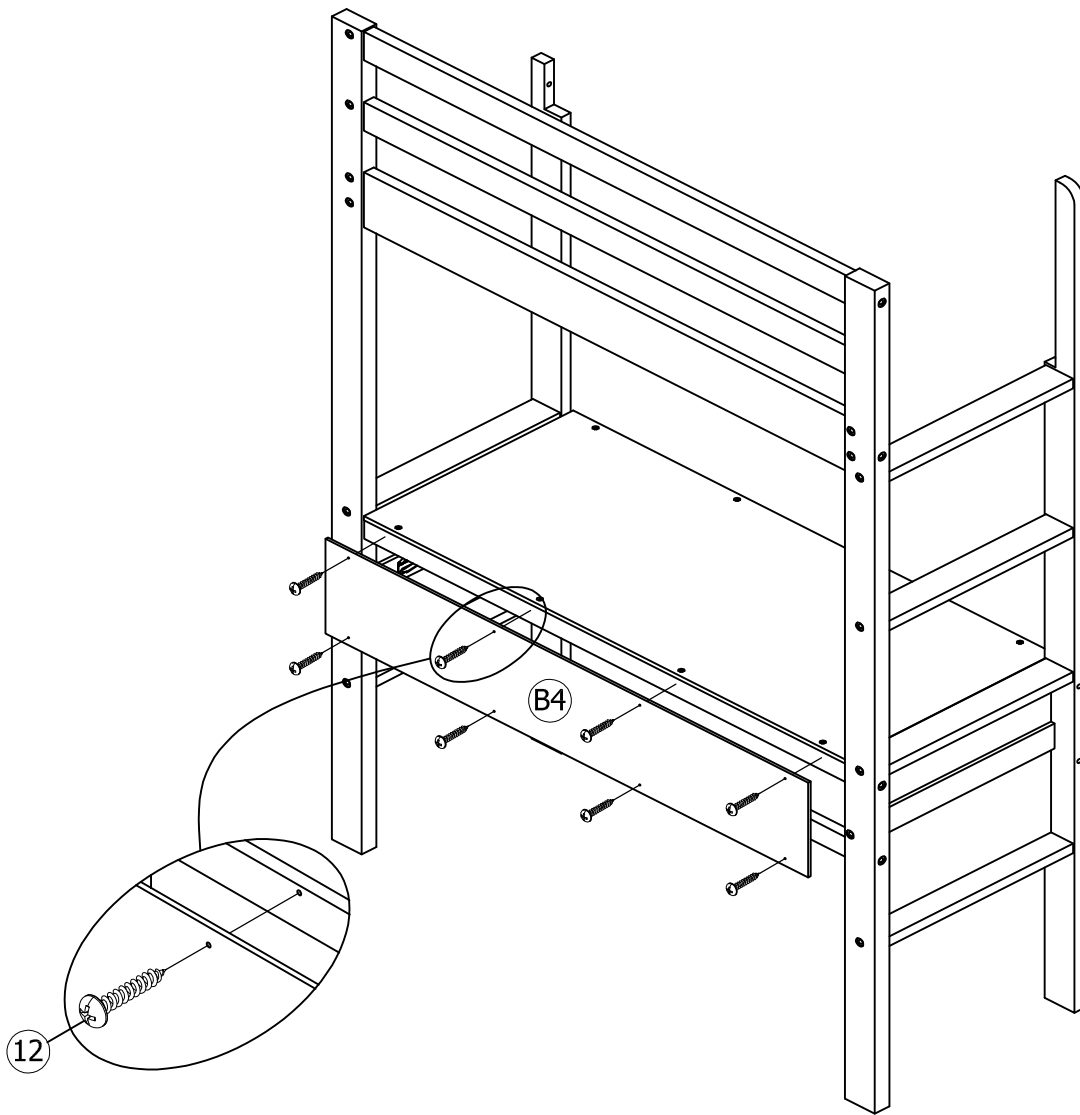


**STEP7:** Following below illustration.

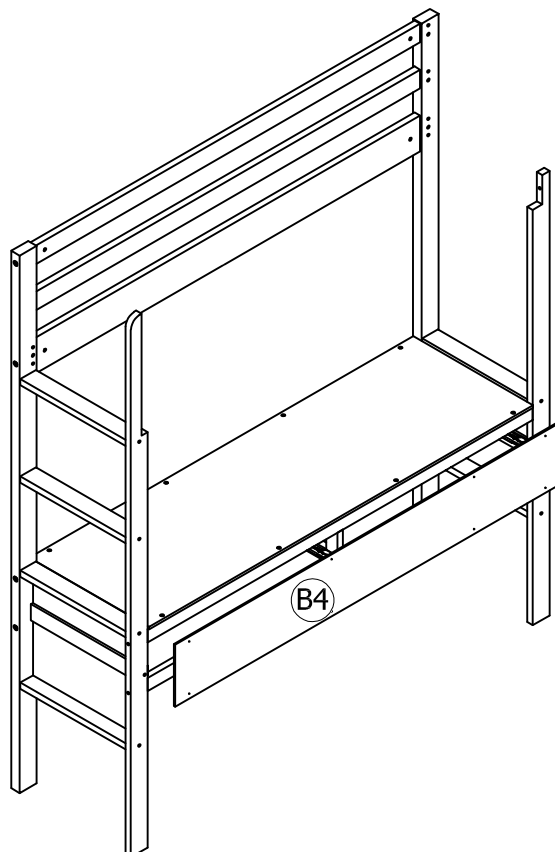
12





8(pcs)

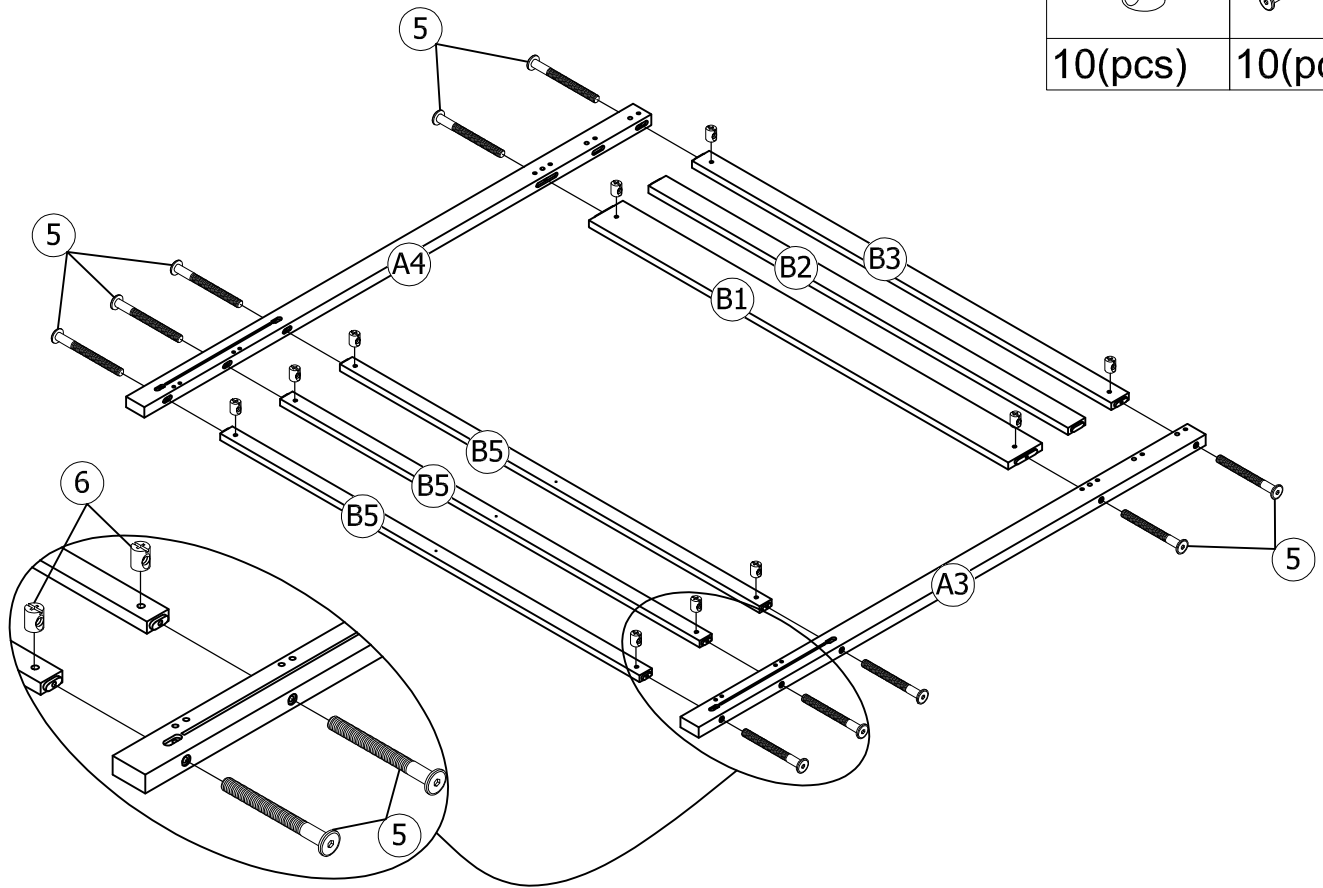


**OPTION 2**





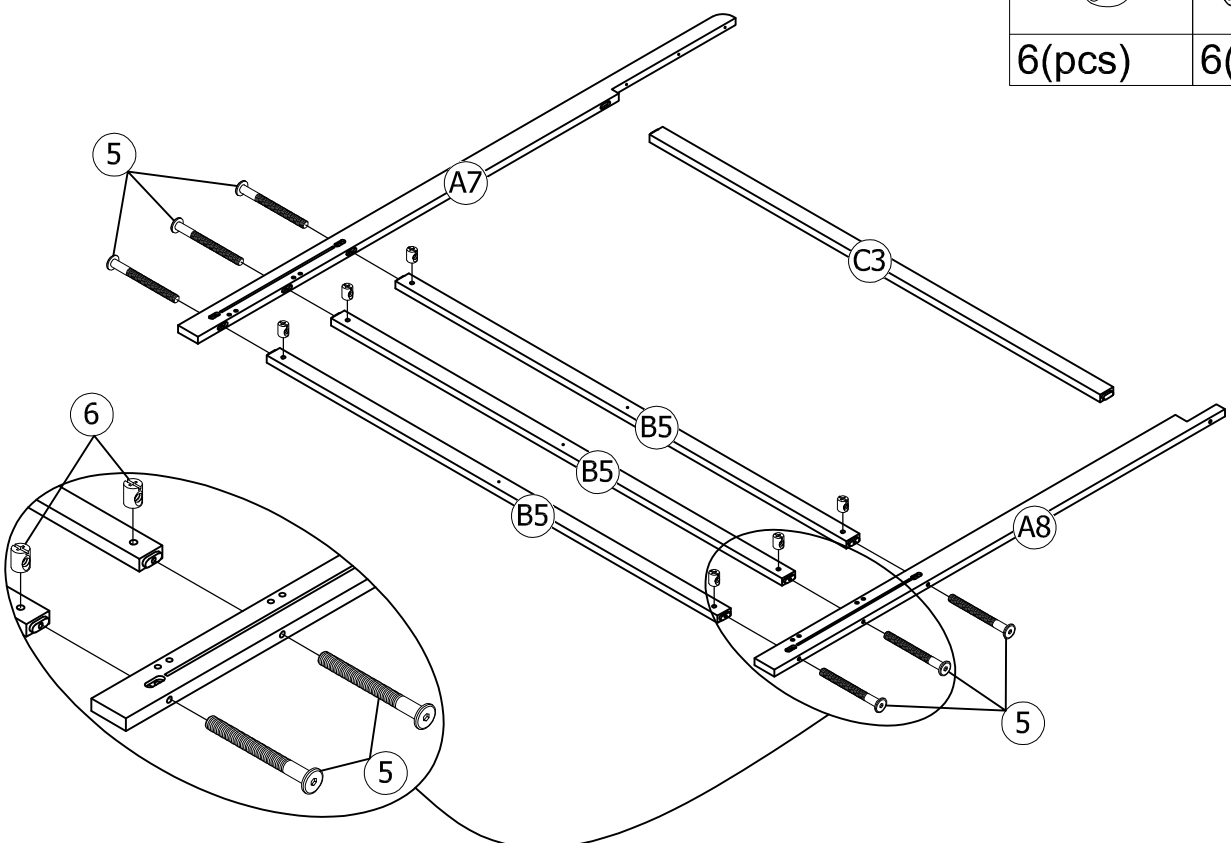
**STEP8:** Following below illustration.

6		5	
10(pcs)		10(pcs)	

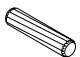



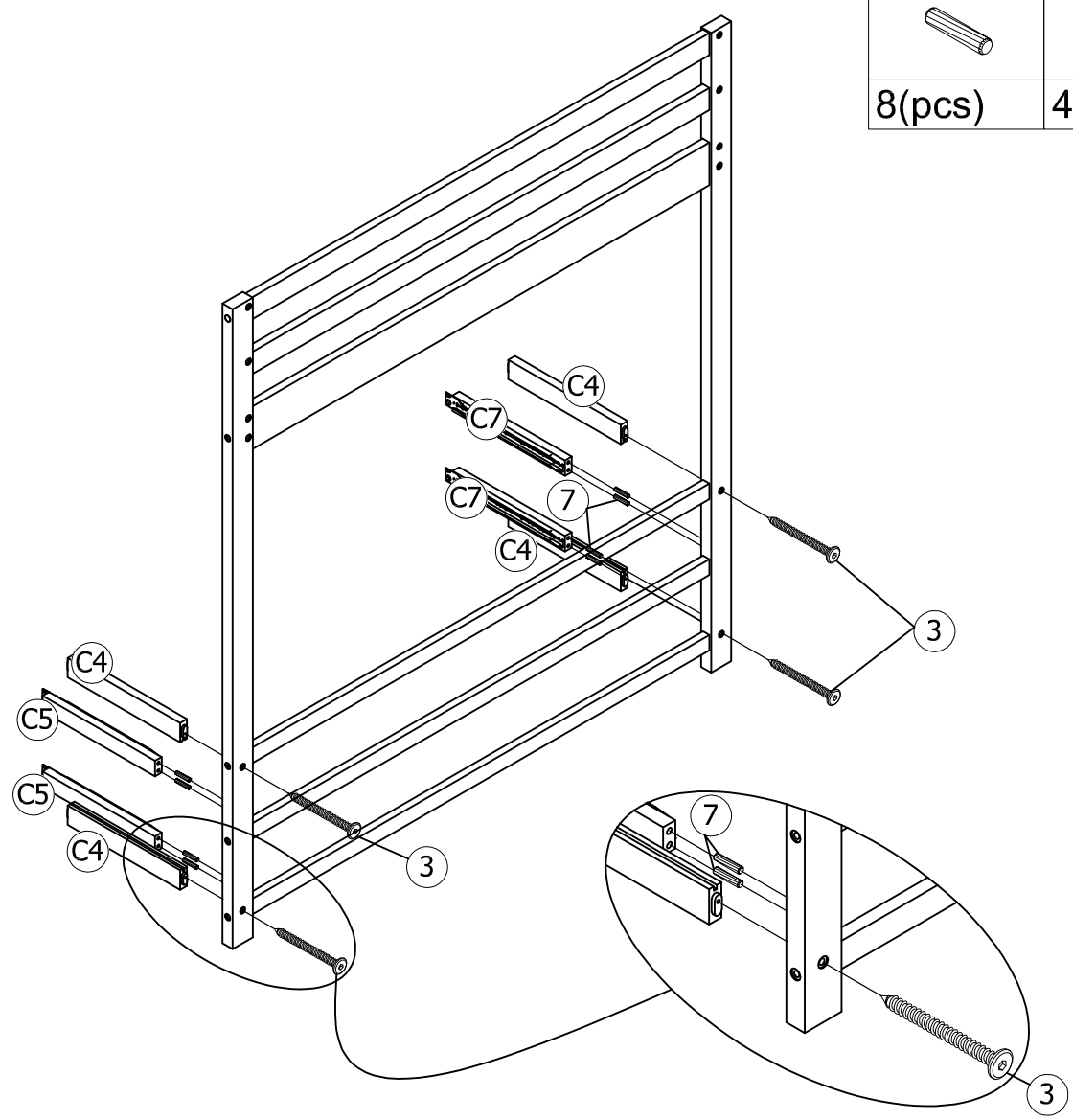
**STEP9:** Following below illustration.

6		5	
6(pcs)		6(pcs)	

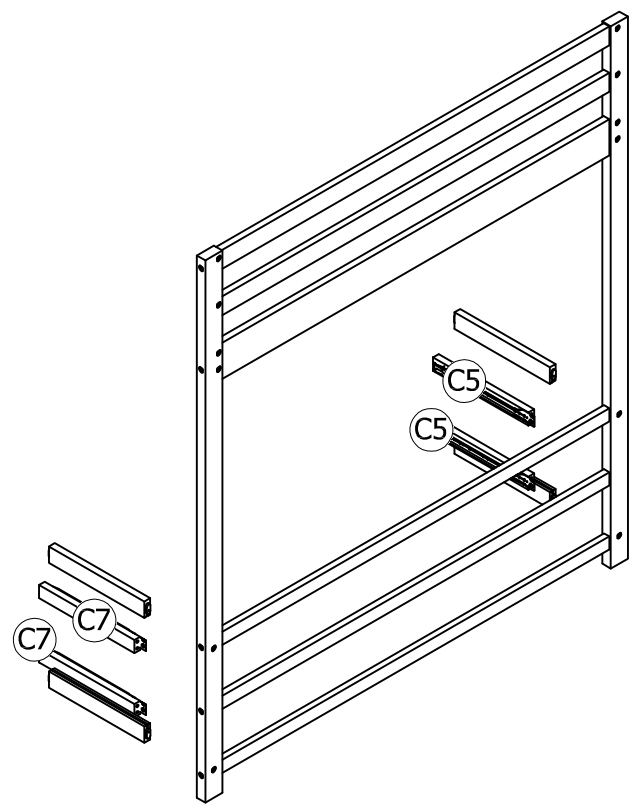


**STEP10:** Following below illustration.

7	3
	
8(pcs)	4(pcs)



## OPTION 2



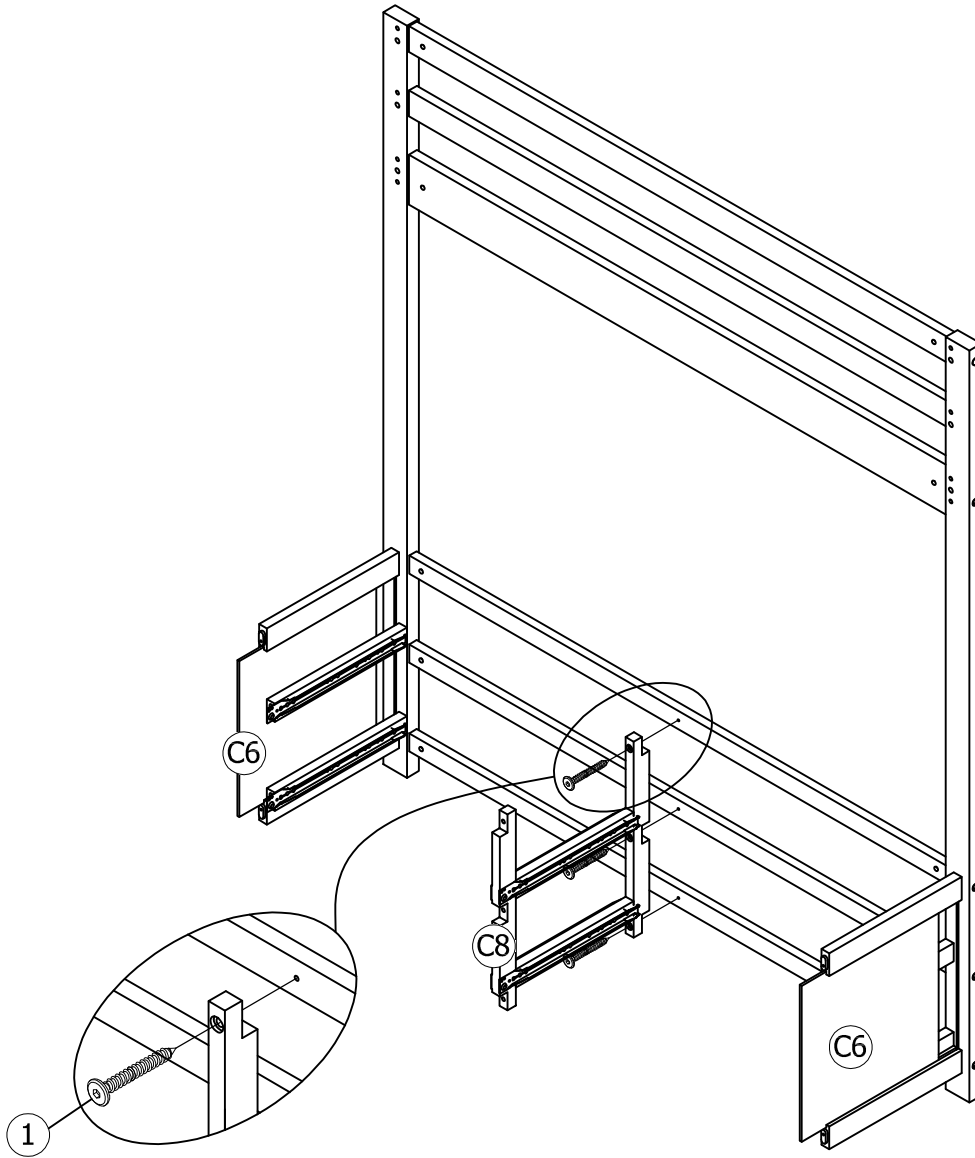


**STEP11:** Following below illustration.

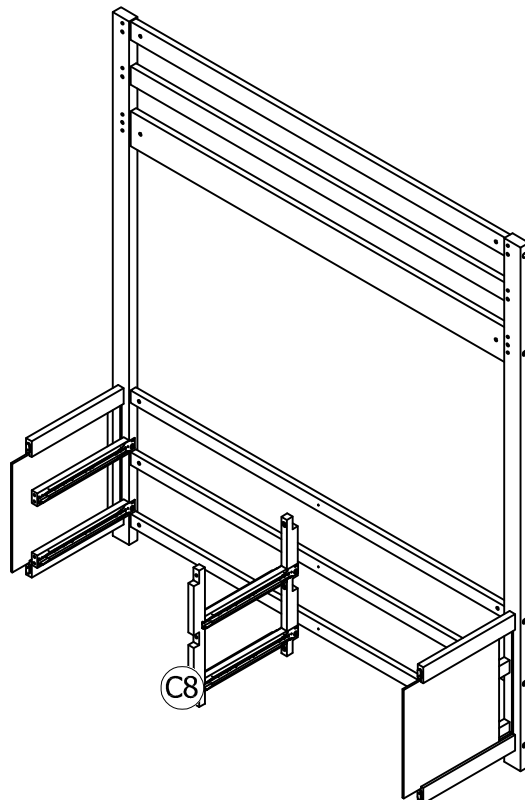
1



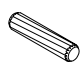

3(pcs)

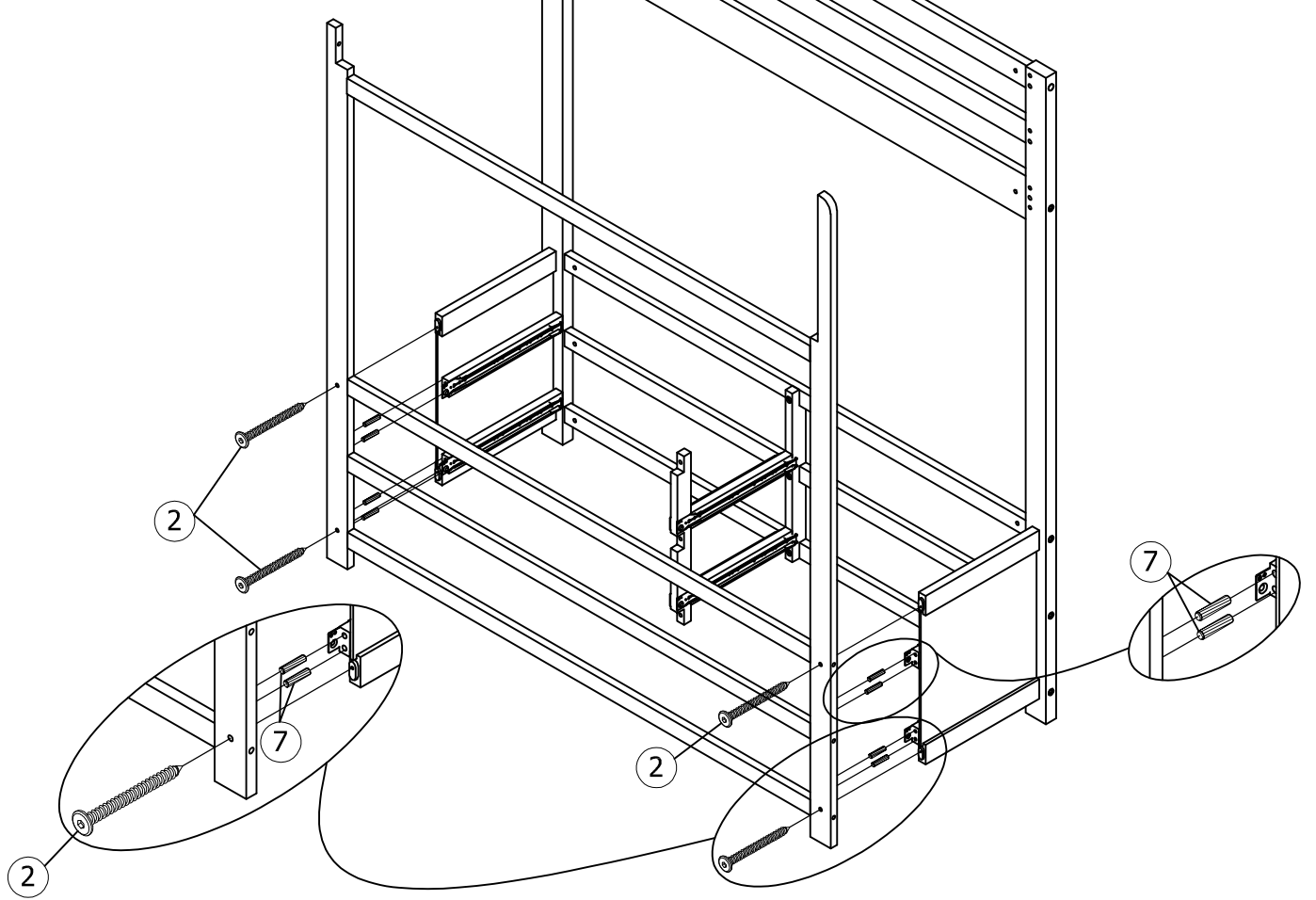


**OPTION 2**

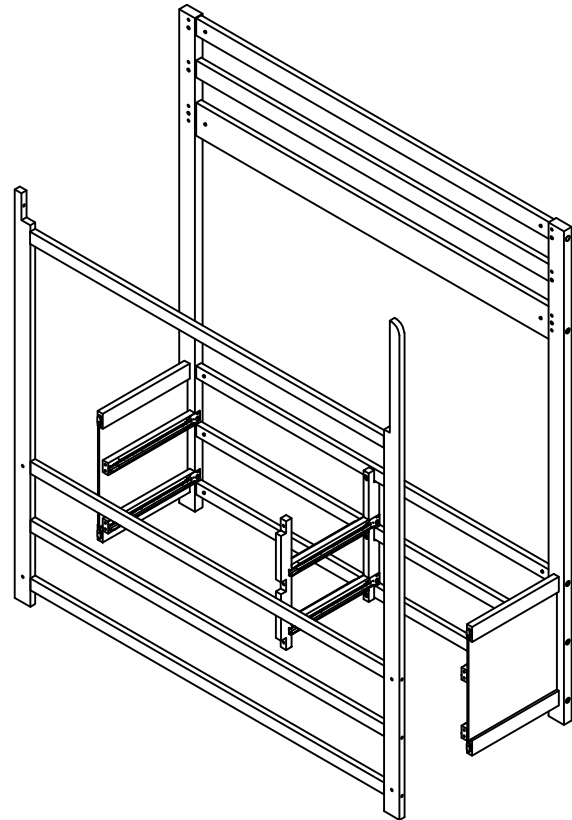


**STEP12:** Following below illustration.

7	2
	
8(pcs)	4(pcs)



**OPTION 2**

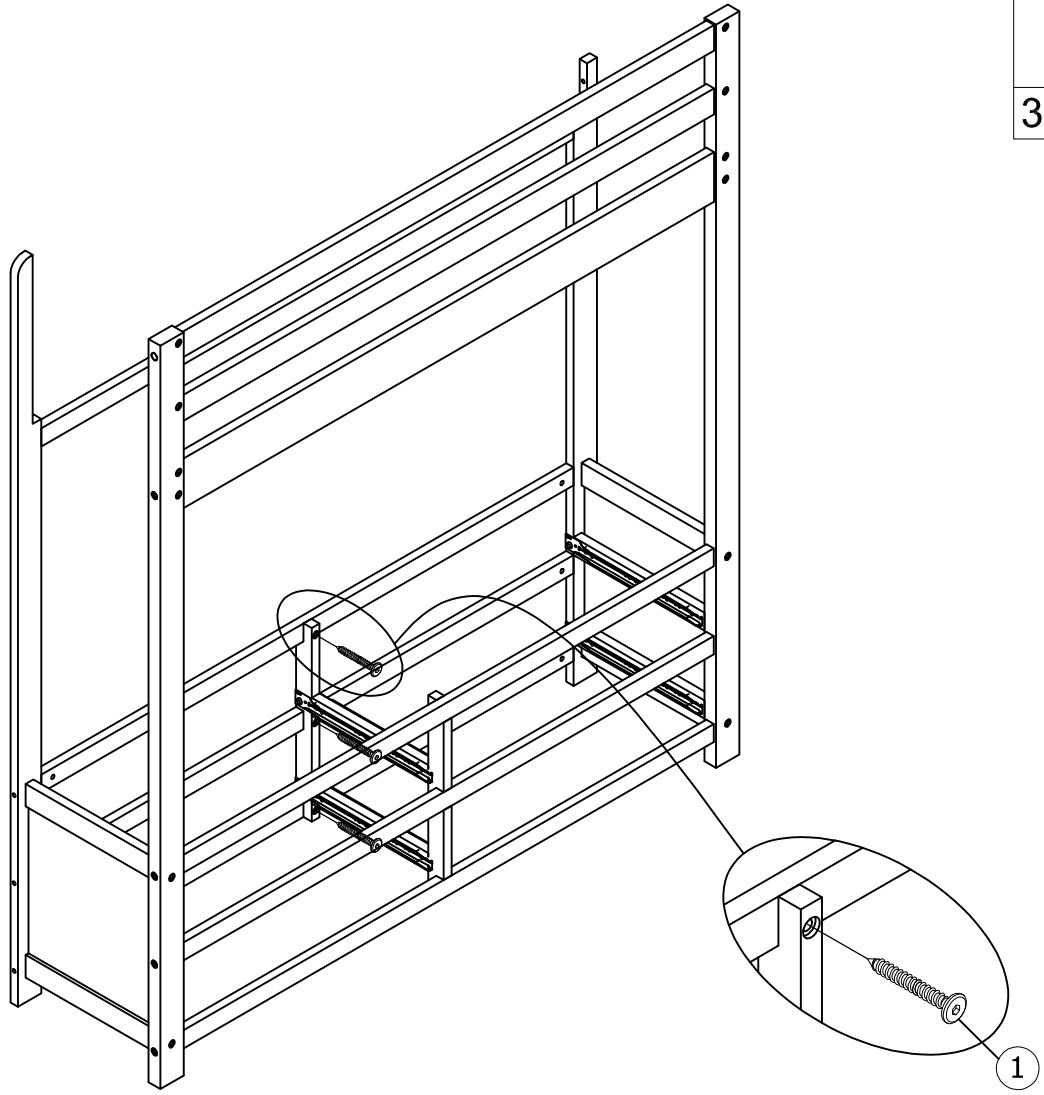


**STEP13:** Following below illustration.

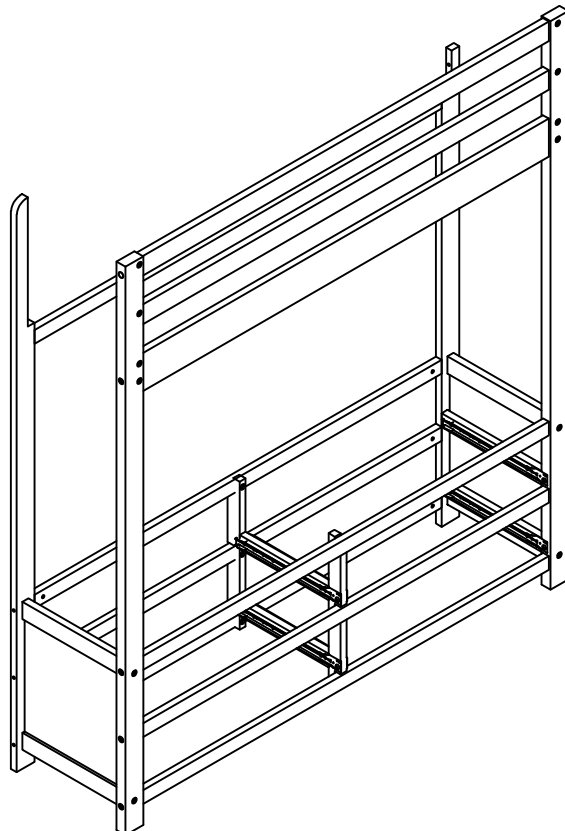
1



3(pcs)

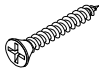


**OPTION 2**

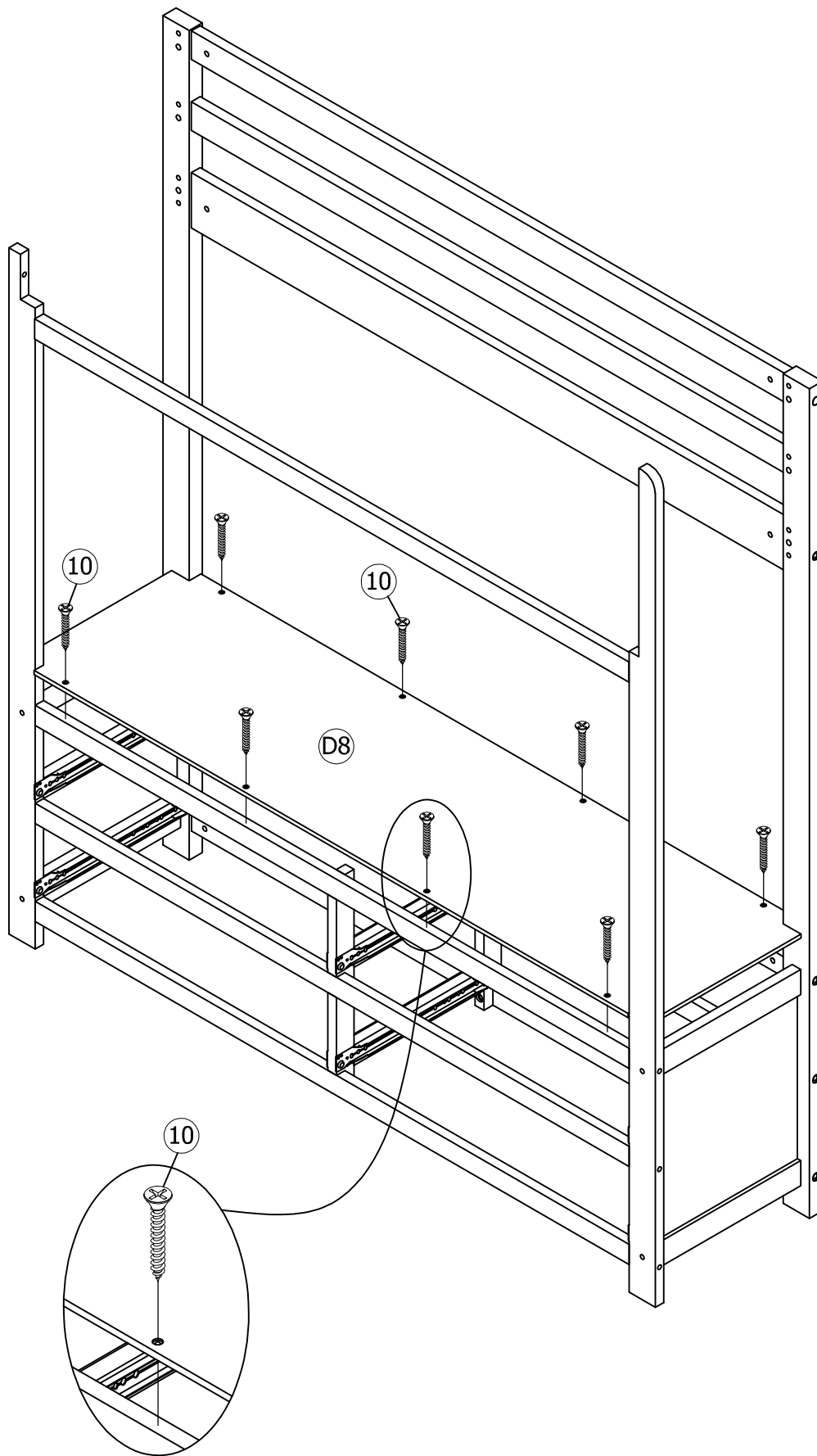


**STEP14:** Following below illustration.

10



8(pcs)

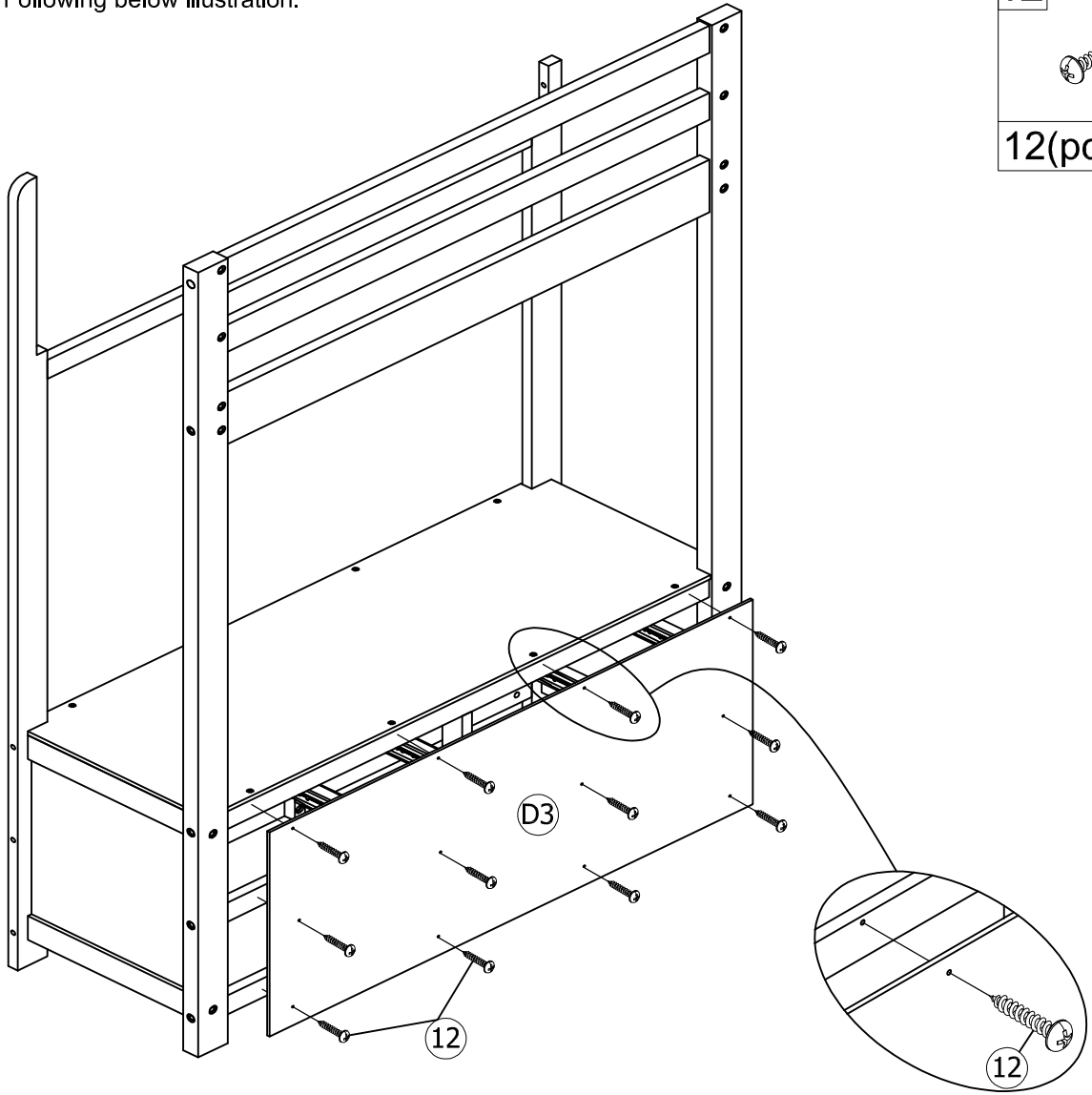


**STEP15:** Following below illustration.

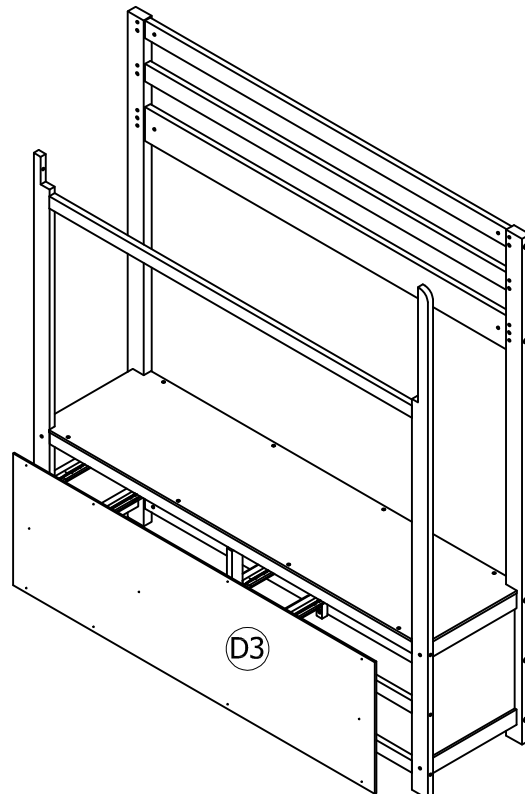
12



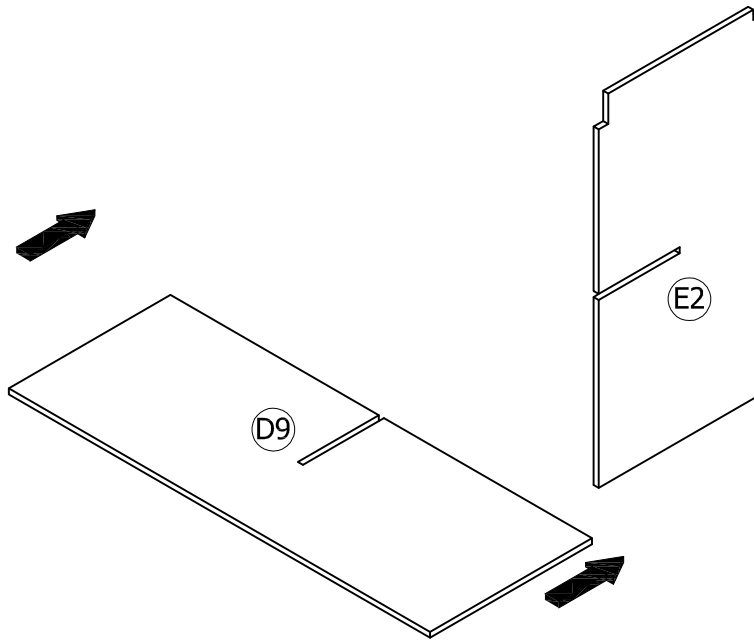
12(pcs)



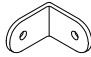
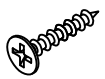
**OPTION 2**

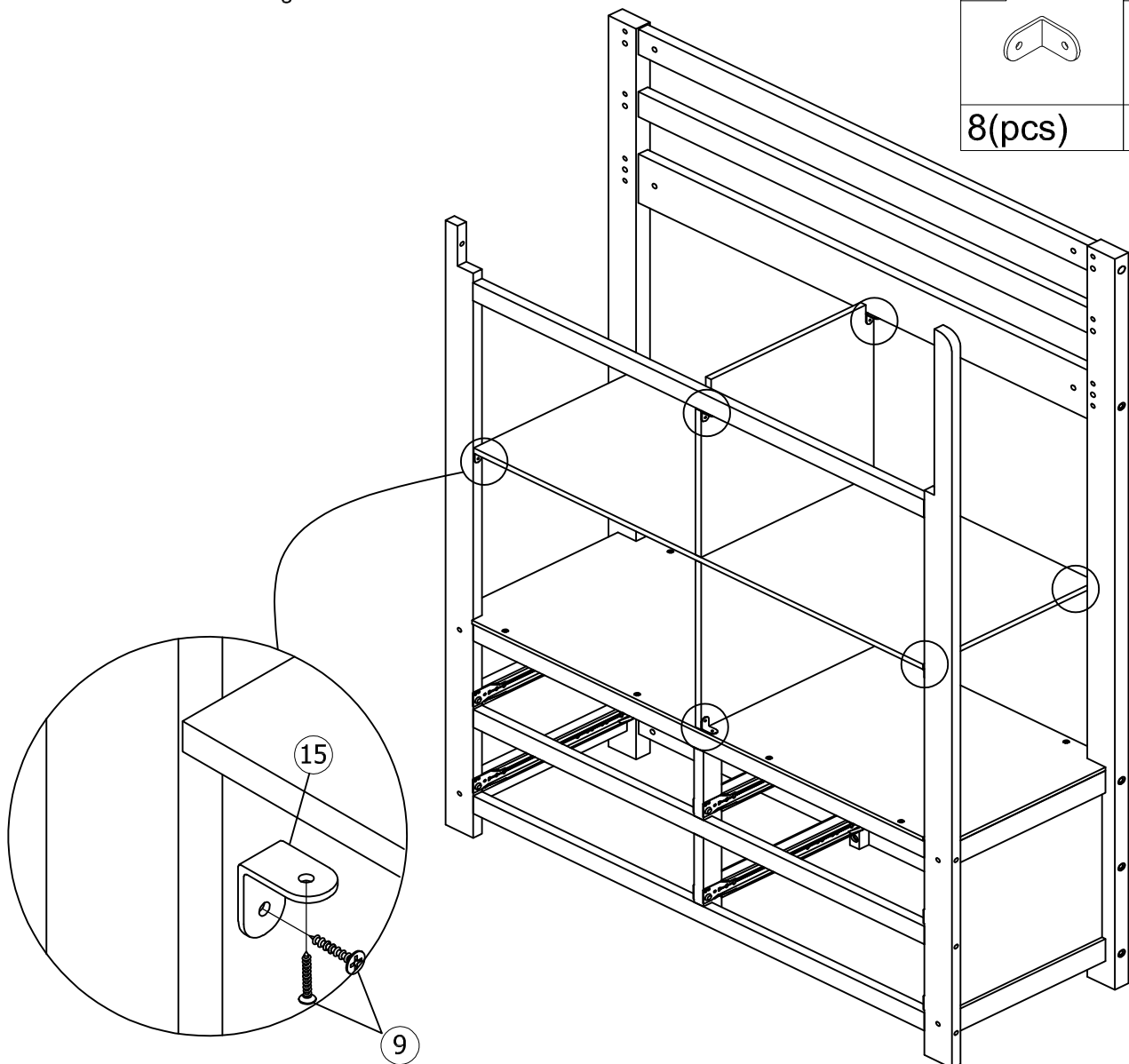


**STEP16:** Following below illustration.

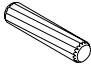

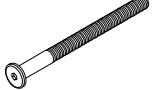


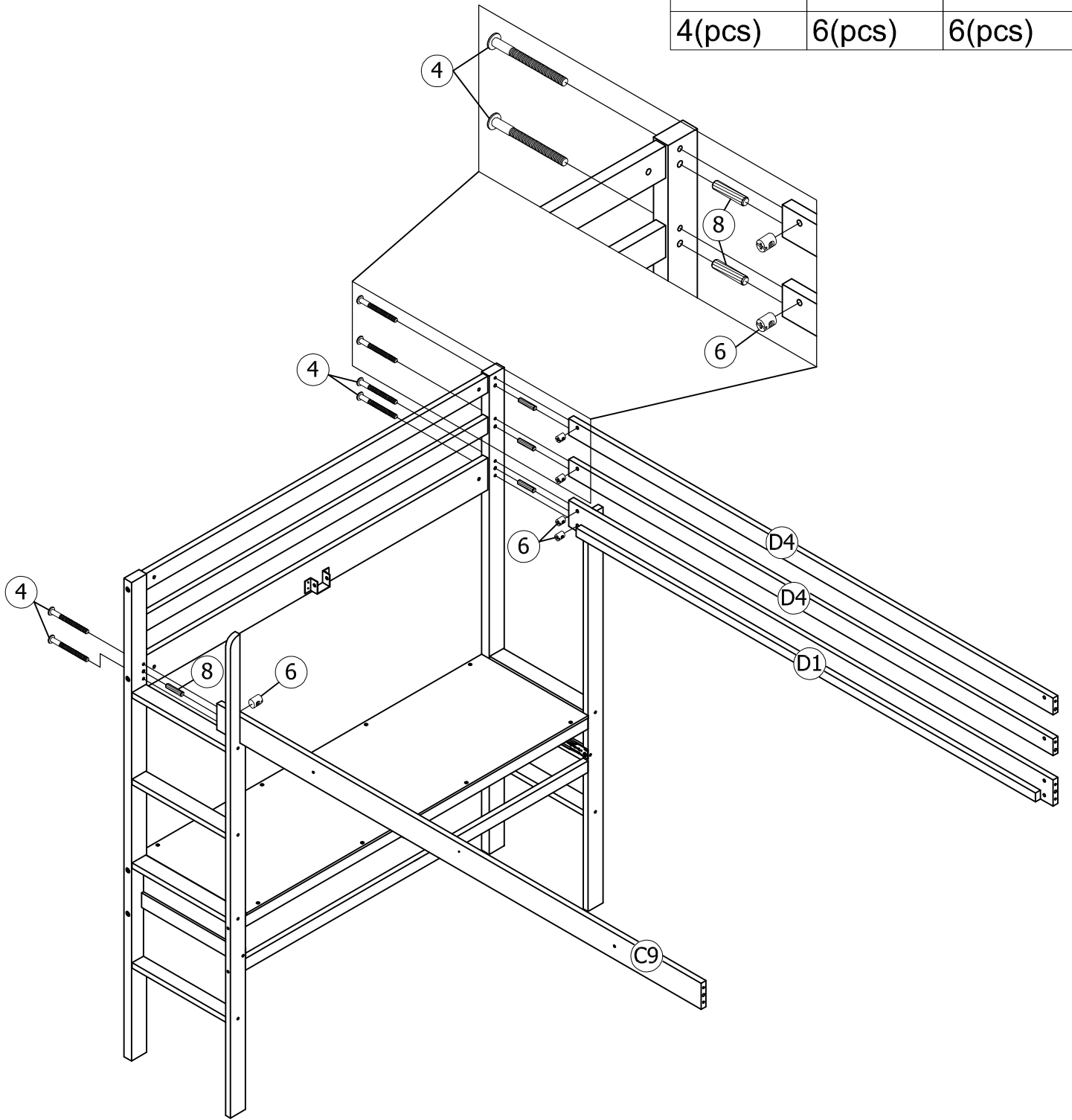
**STEP17:** Following below illustration.

15	9
	
8(pcs)	16(pcs)

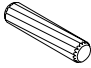

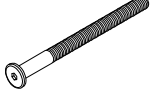


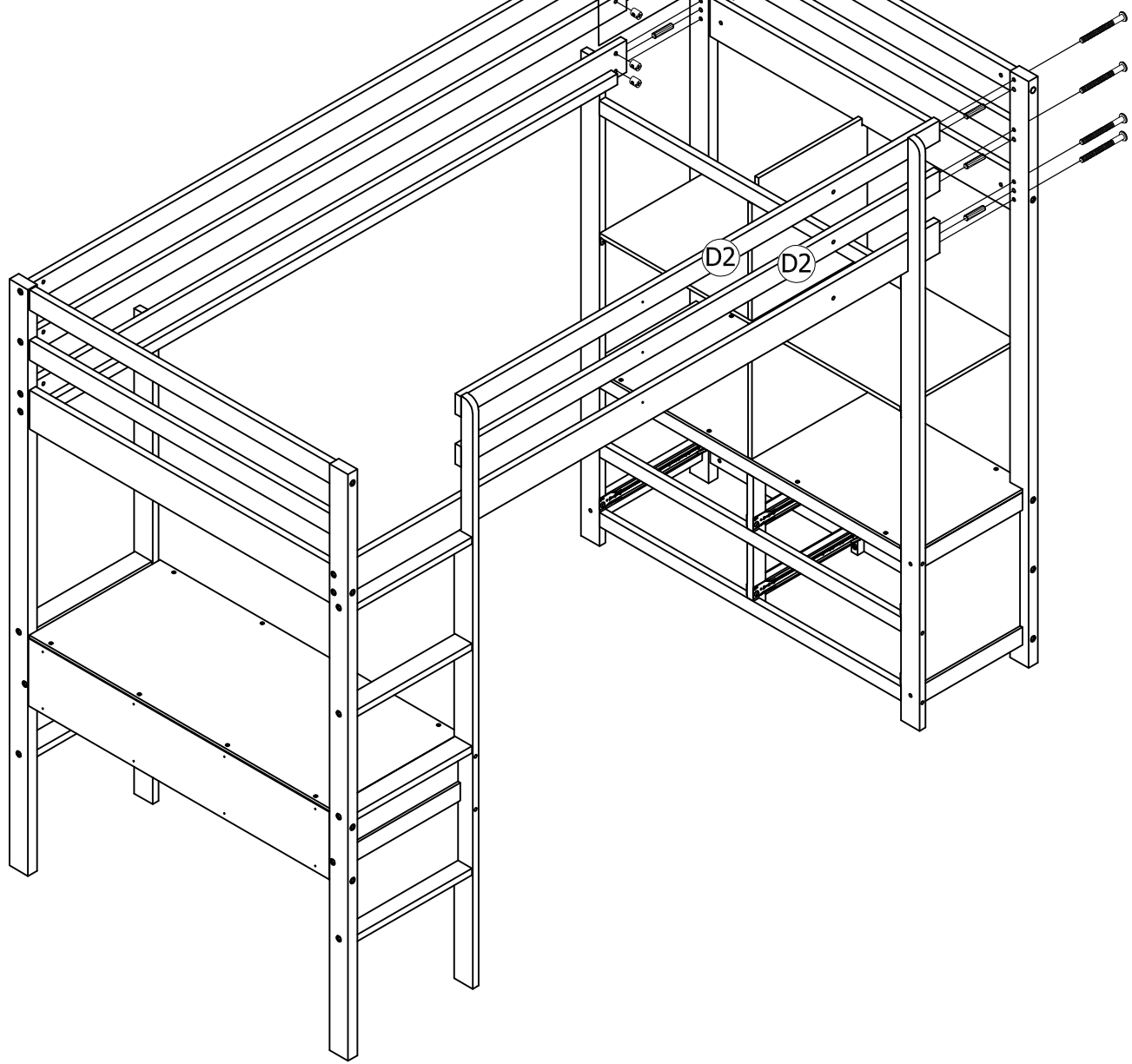
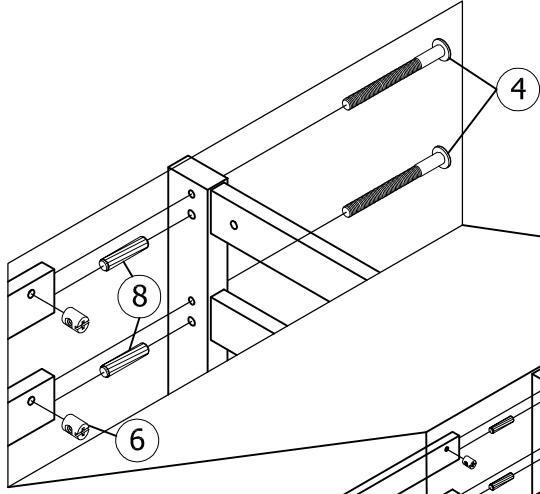
# STEP18: Following below illustration.

8	6	4
		
4(pcs)	6(pcs)	6(pcs)



# STEP19: Following below illustration.

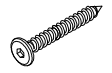
8	6	4
		
6(pcs)	8(pcs)	8(pcs)



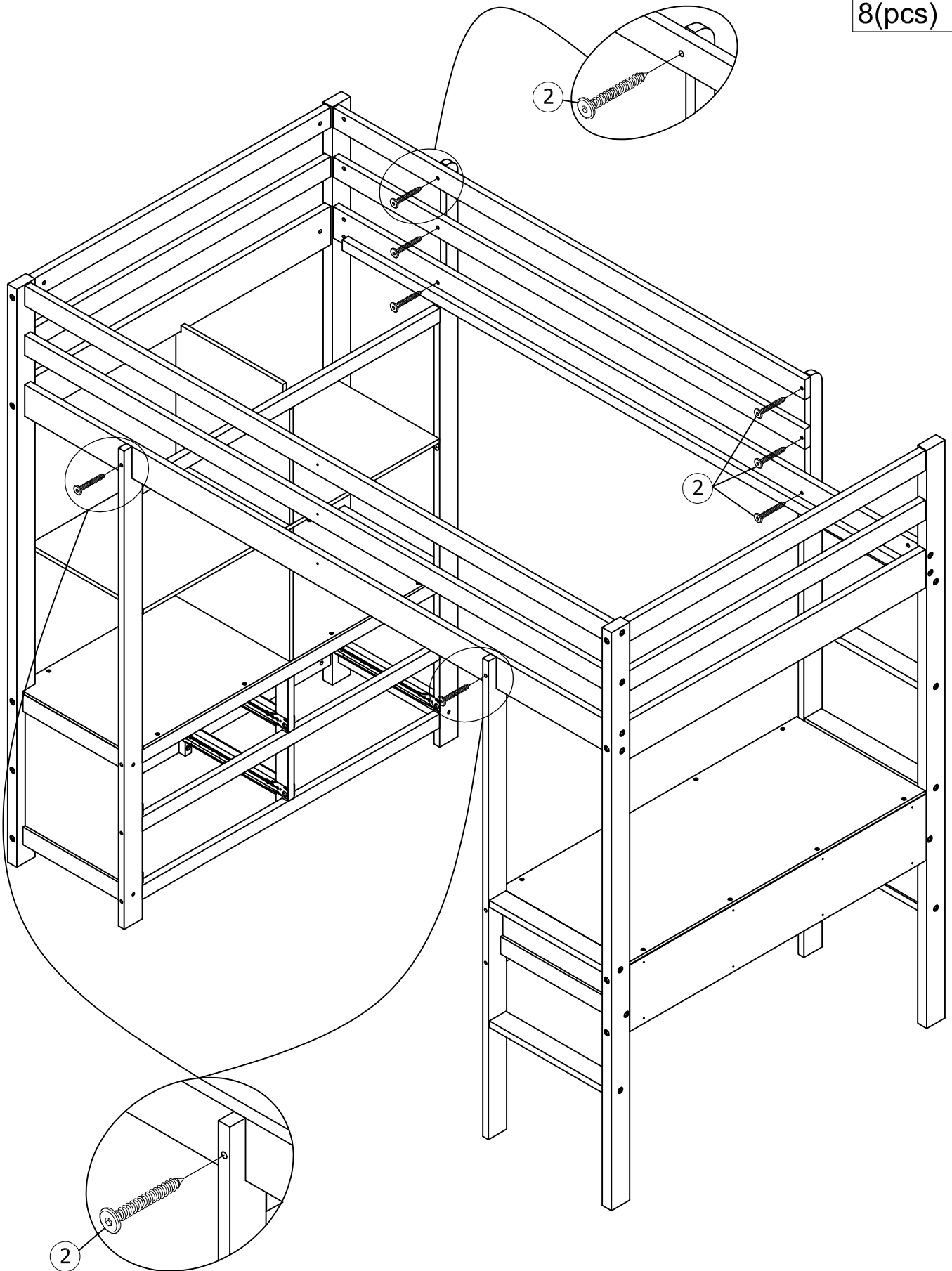


**STEP20:** Following below illustration.

2



8(pcs)

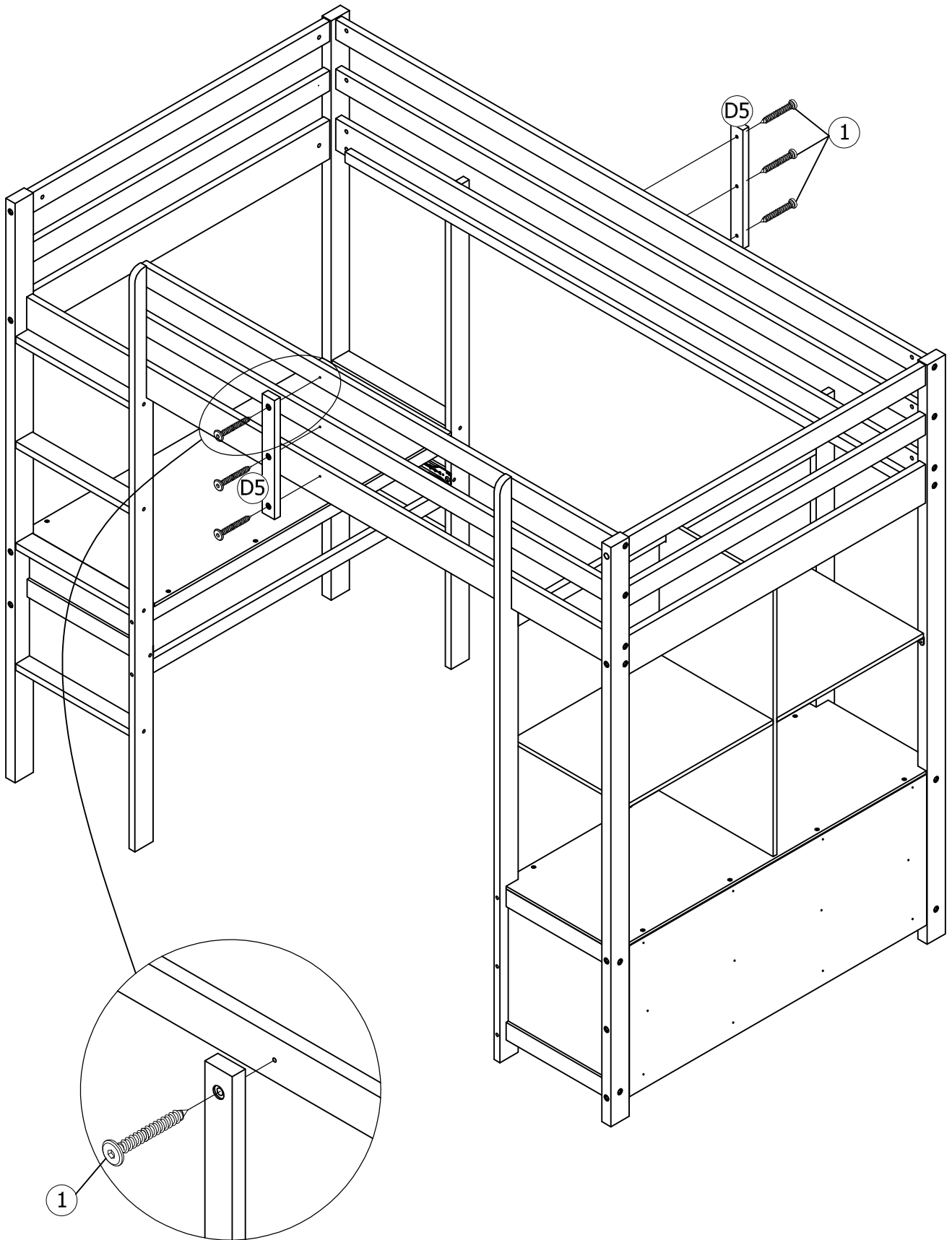


**STEP21:** Following below illustration.

1

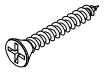


6(pcs)

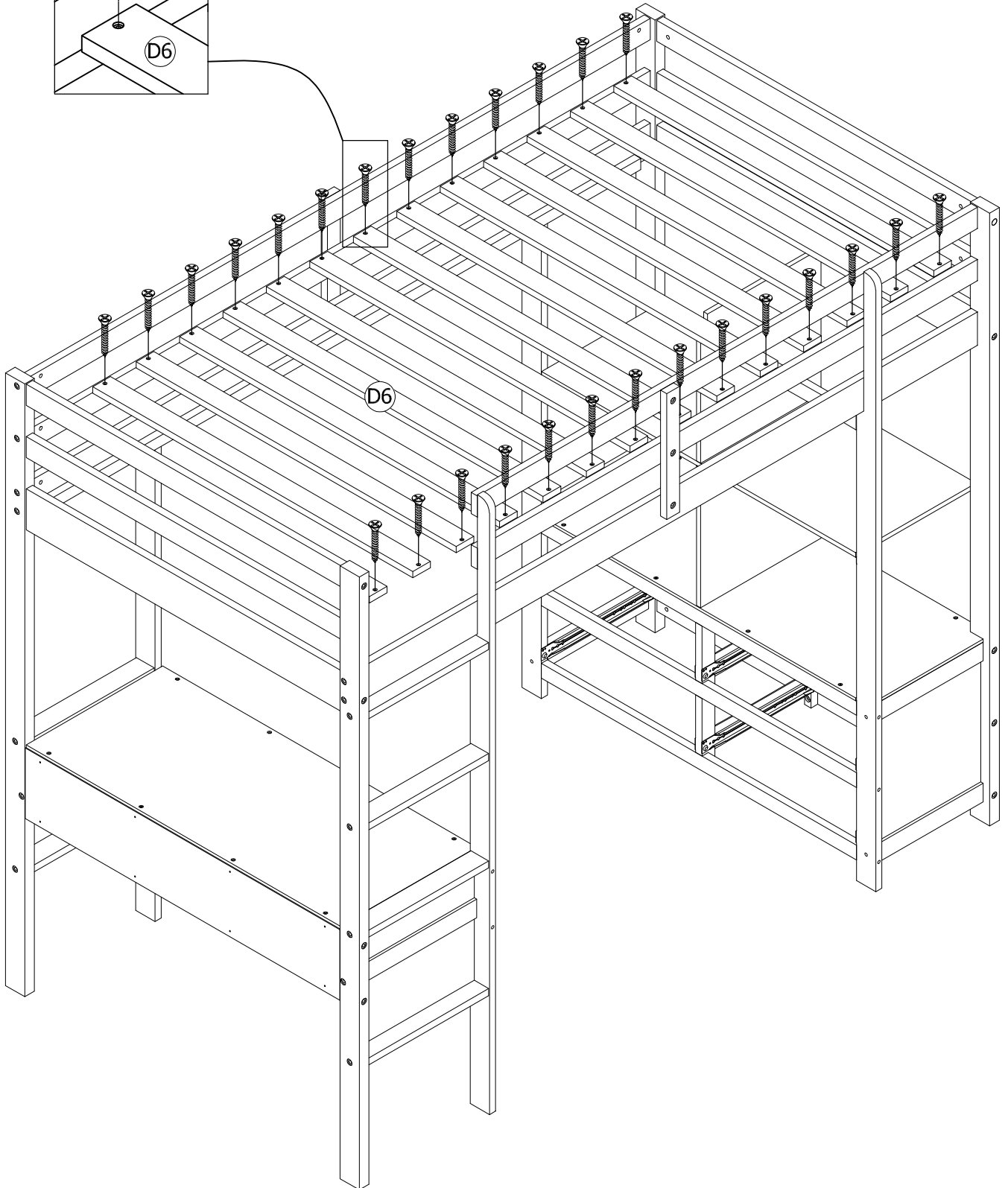
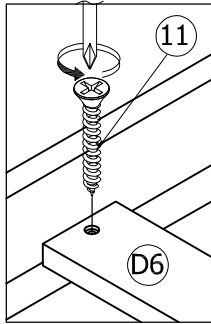


**STEP22:** Following below illustration.

11



28(pcs)

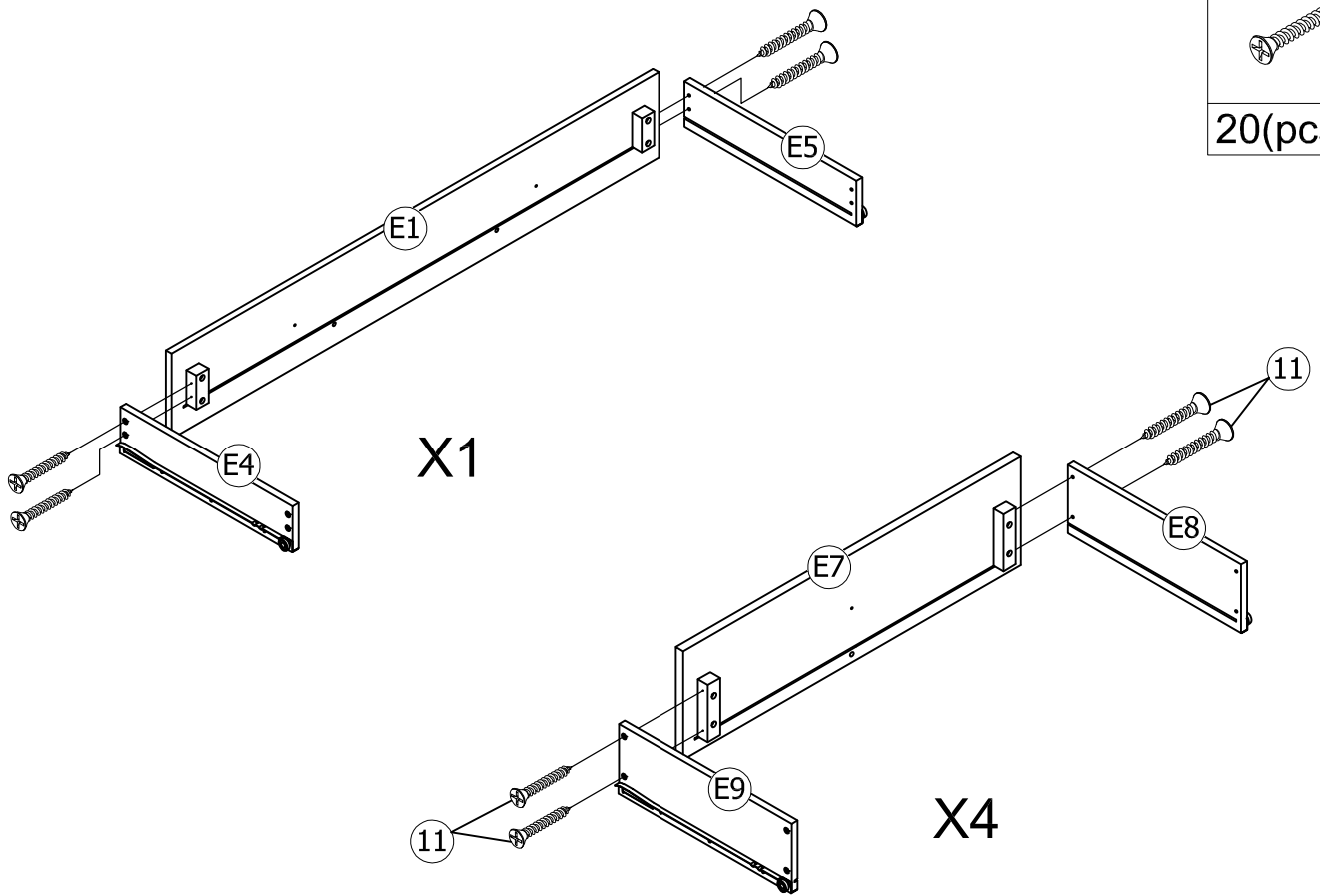


**STEP23:** Following below illustration.

11

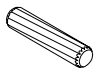


20(pcs)

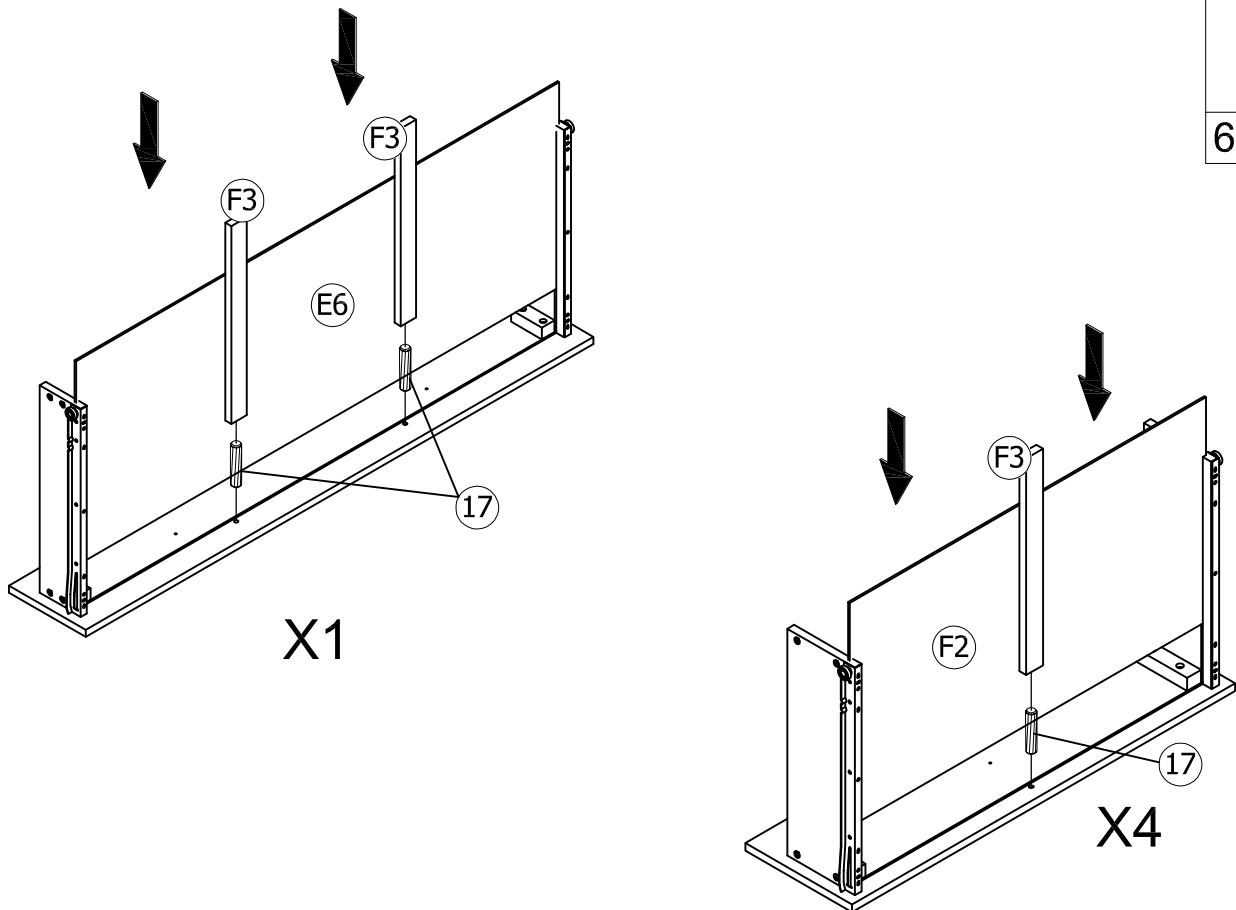


**STEP24:** Following below illustration.

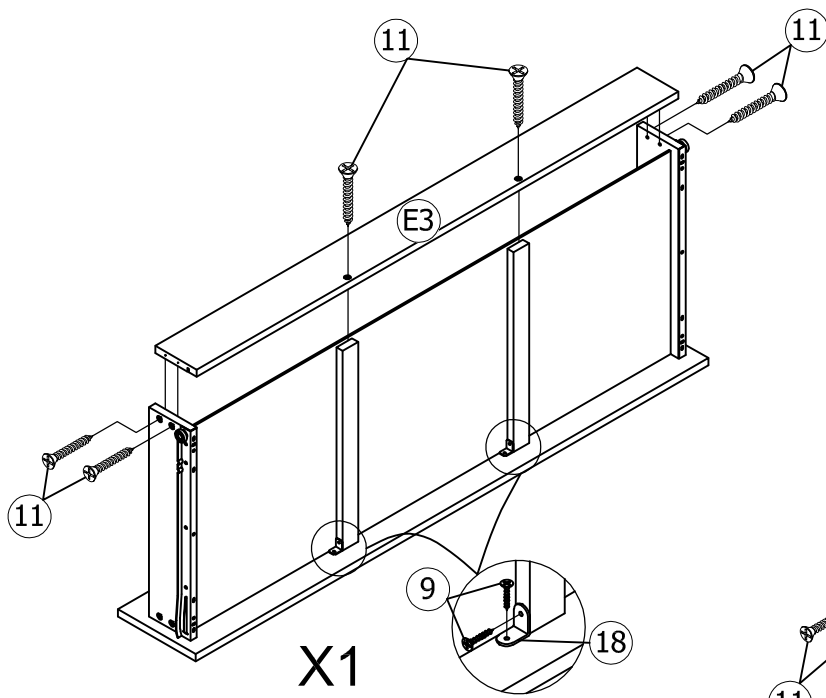
17

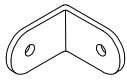




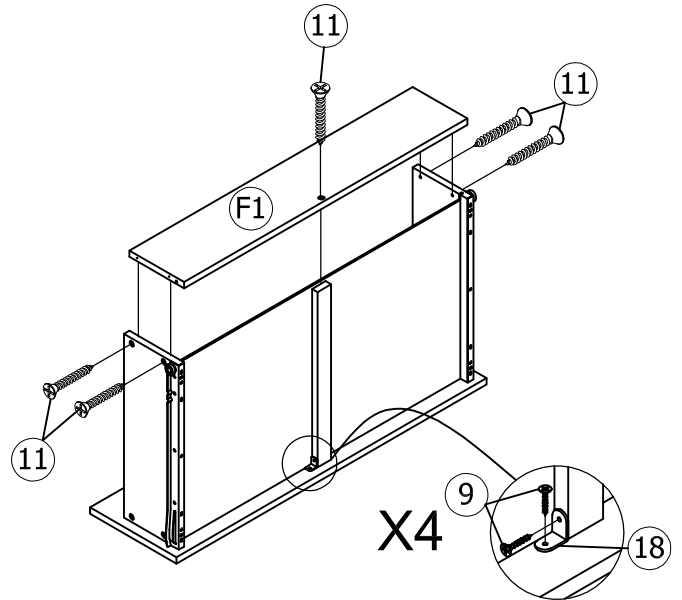
6(pcs)



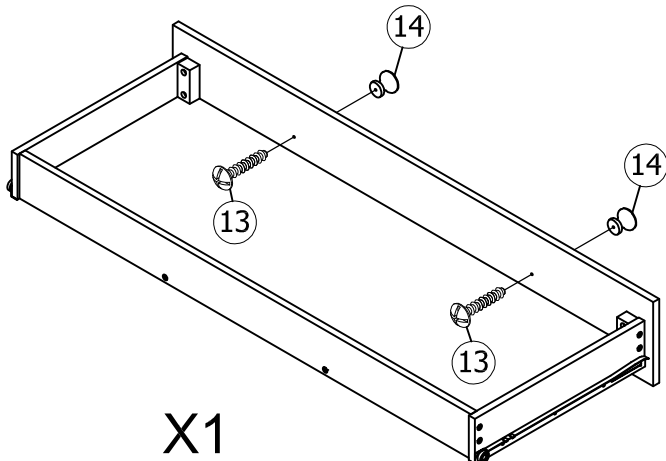
**STEP25:** Following below illustration.


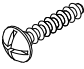


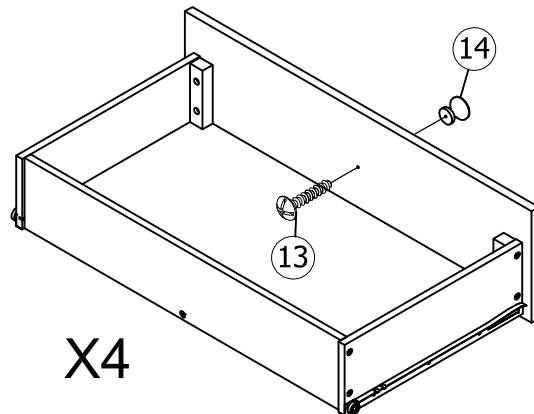
18	9	11
		
6(pcs)	12(pcs)	26(pcs)



**STEP26:** Following below illustration.

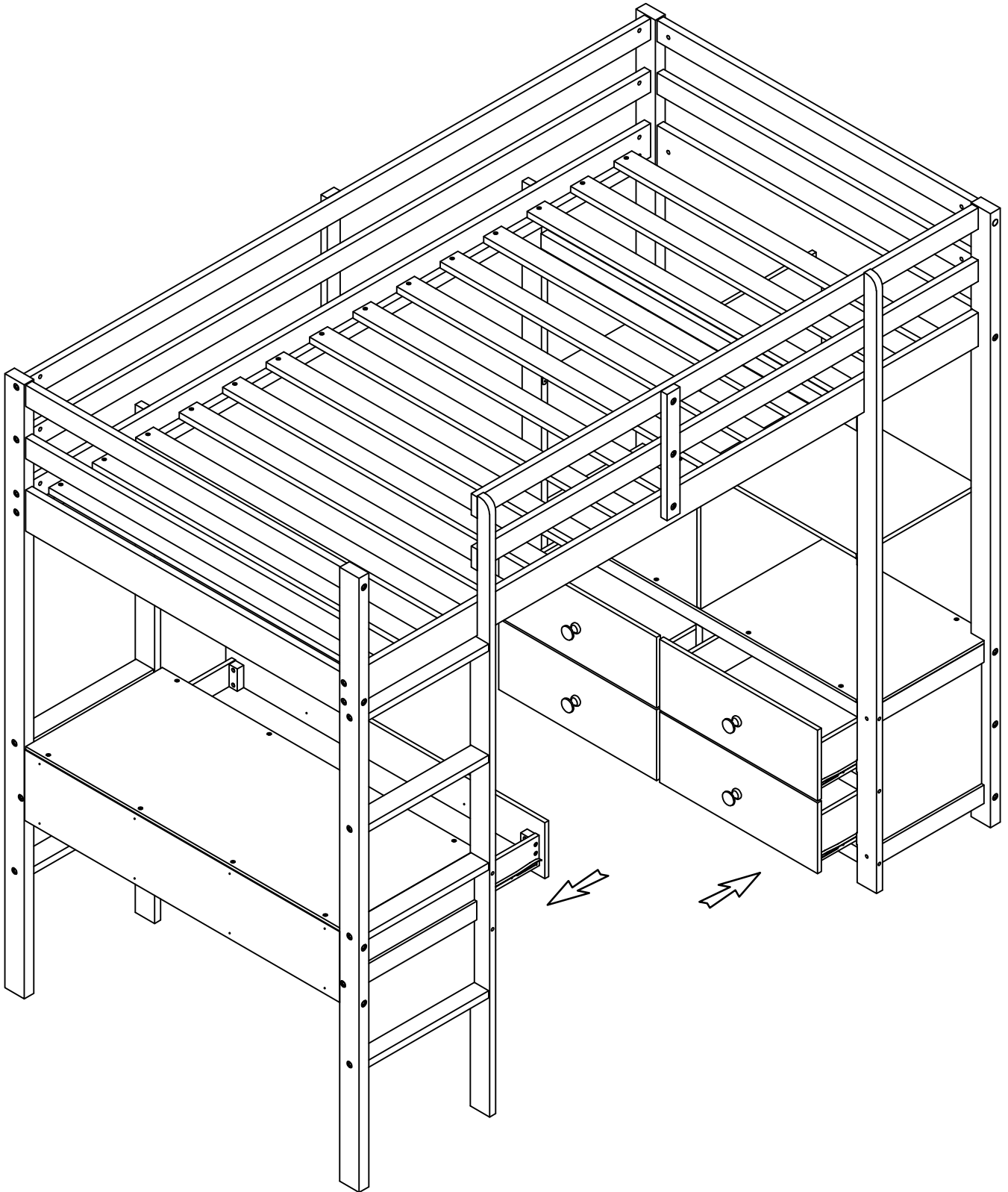


14	13
	
6(pcs)	6(pcs)



# STEP27:(OPTION1) Congratulations! You have completed the bed.

Push the 6 drawers into their positions.



# STEP27:(OPTION2) Congratulations! You have completed the bed.

Push the 6 drawers into their positions.

