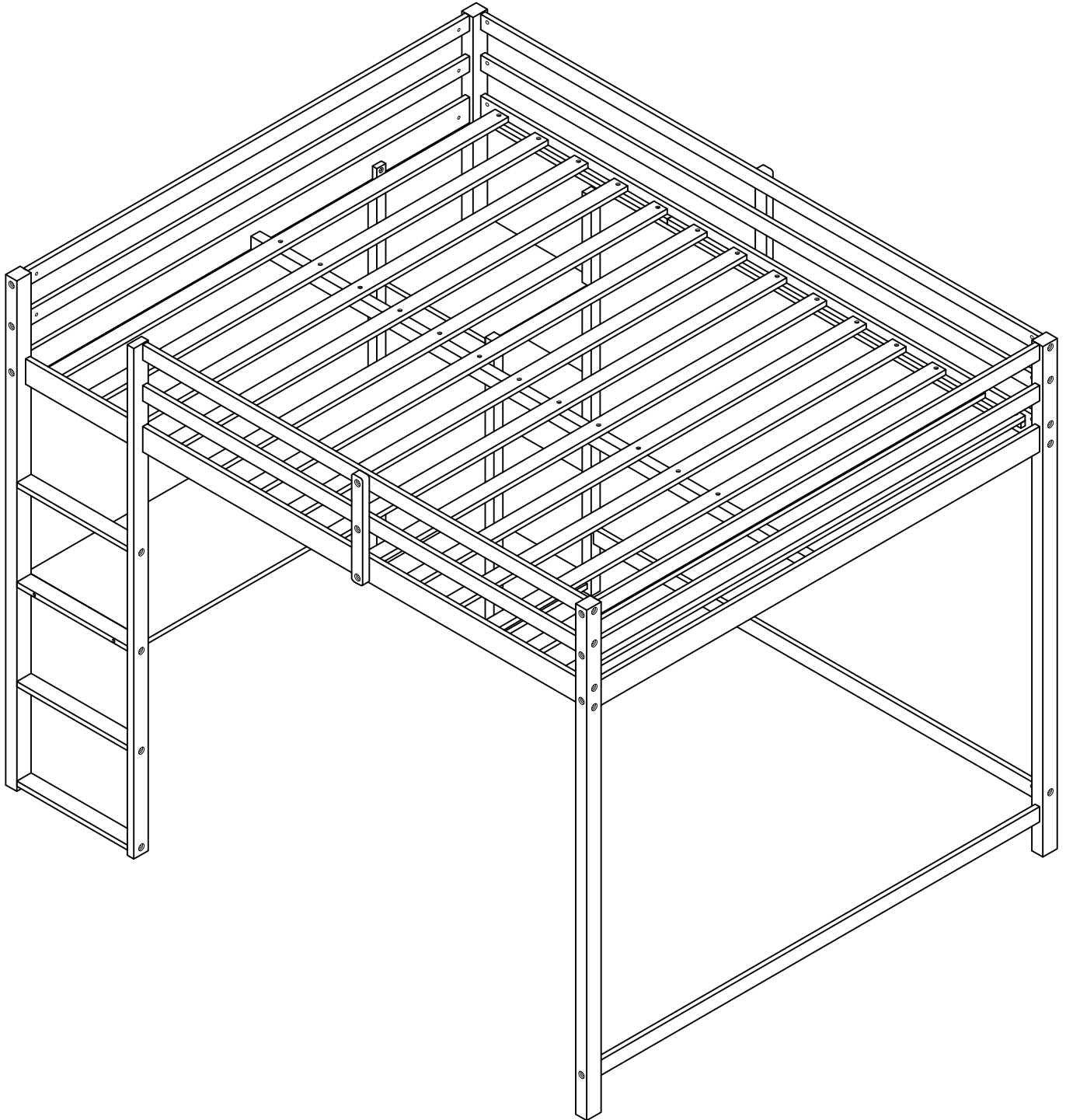


ASSEMBLY INSTRUCTIONS

FULL LOFT BED WITH 4 SHELVES AND DESK



WF320262/WF320263

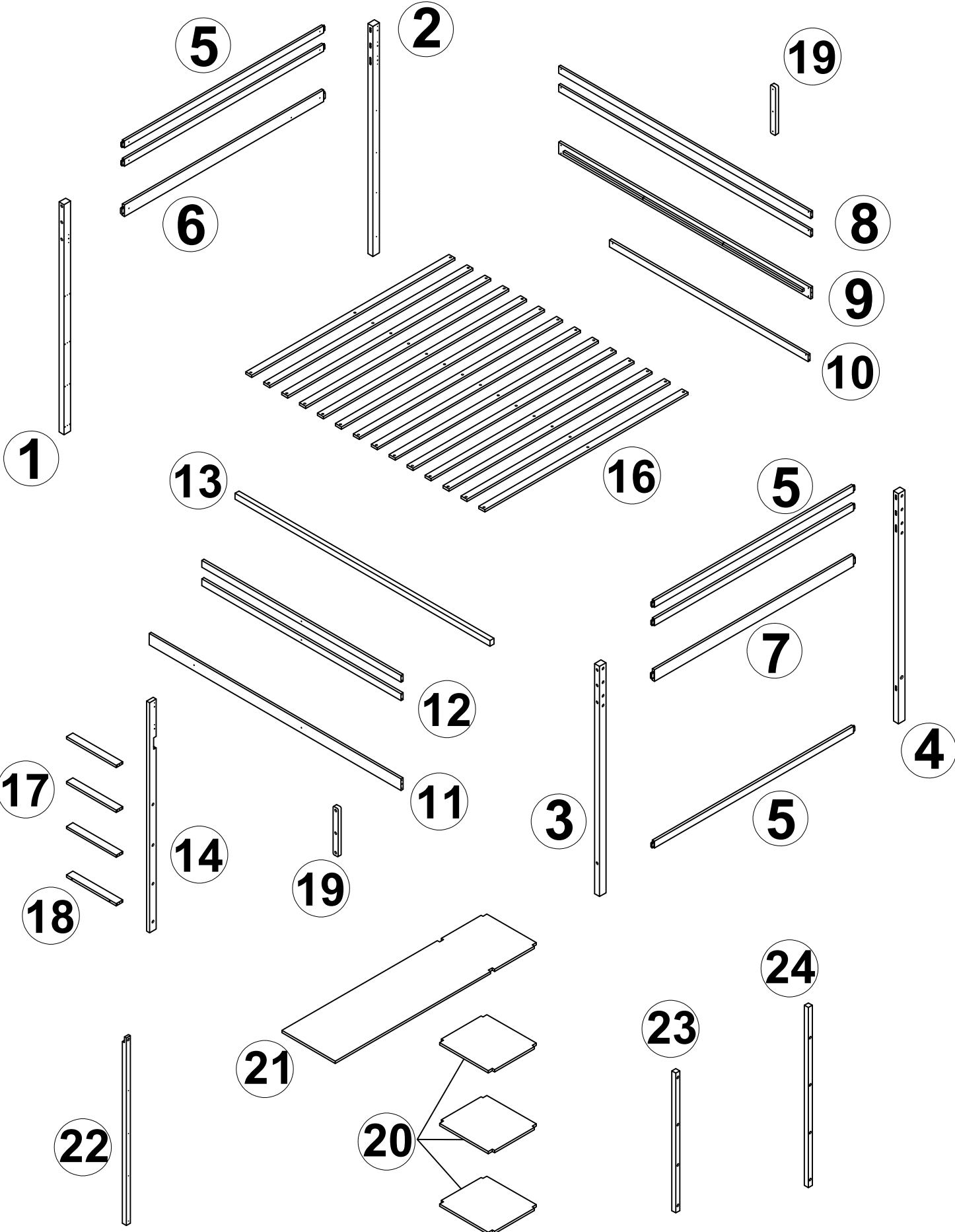
! SAFETY WARNINGS !

1. This bed is designed for use only mattress(es) meeting the following specifications on the upper bunk.

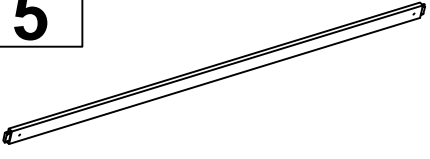
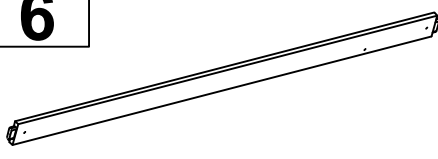
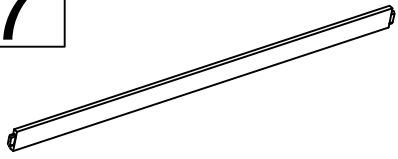
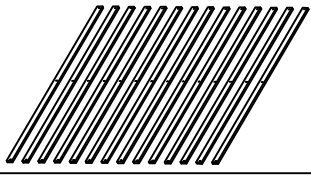
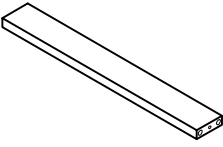
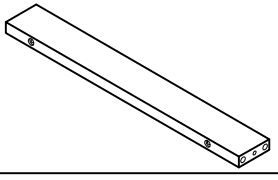
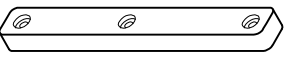
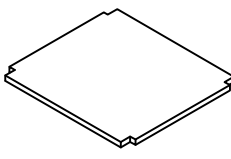
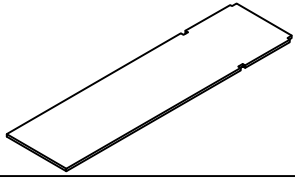
Bed type	Length	Width	Thickness
Full Standard	74" - 75"	53 1/2"	6"

2. Replacement parts, including additional guardrails, may be obtained from any of our (GIGACLOUD TECHNOLOGY (USA) INC.) dealers
3. Follow the information on the warnings appearing on the upper bunk bed end structure and on the carton. Do not remove warning label from bed.
4. Always use the recommended size mattresses or mattress supports, or both, to help prevent the likelihood of entrapment or falls.
5. Surface of the mattress must be at least 5 in. (127 mm) below the upper edge of guardrails.
6. Do not allow children under 6 years of age to use the upper bunk.
7. Periodically check and ensure that the guardrail, ladder, and other components are in their proper position, free from damage, and that all connectors are tight.
8. Do not allow horseplay on or under the bed and prohibit jumping on the bed
9. Always use the ladder for entering and leaving the upper bunk.
10. Do not use substitute parts. Contact the manufacturer or dealer for replacement parts.
11. Use of a night light may provided added safety precaution for a child using the upper bunk.
12. Always use guardrails on both long sides of the upper bunk. If the bunk bed will be placed next to the wall, the guardrail that runs the full length of the bed should be placed against the wall to prevent entrapment between the bed and wall.
13. The use of water or sleep flotation mattresses is prohibited.
14. STRANGULATION HAZARD – Never attach or hang items to any part of the bunk bed that are not designed for use with the bed; for axample, but not limited, hook, belts and jump ropes.
15. Keep these instructions for future reference
16. Prohidit more than one person on upper bunk .
17. We recommend assembling your bunk bed on the shipping carton to protect your floor or carpet .
18. Be caertain all staples are out of the box before beginning assembly on the shipping carton .

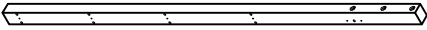
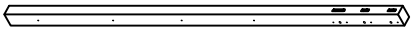
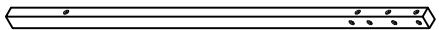
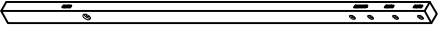


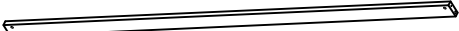



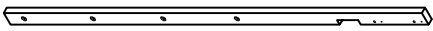
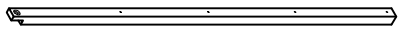
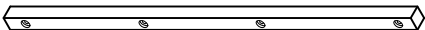
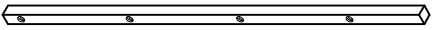
Detail View






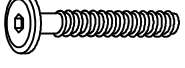

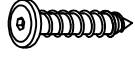
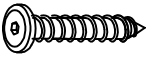



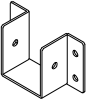
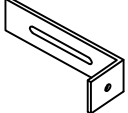

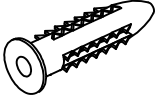
Part Lists:WF320262

5 	6 	7 
HB-FB horizontal - 5PCS	HB-FB horizontal - 1PC	HB-FB horizontal - 1PC
16 	17 	18 
Slat - 14 PCS	Stairs support bar - 3 PCS	Stairs support bar - 1 PC
19 	20 	21 
Back vertical - 2 PCS	Adjustable panel - 3 PCS	Adjustable panel - 1 PC

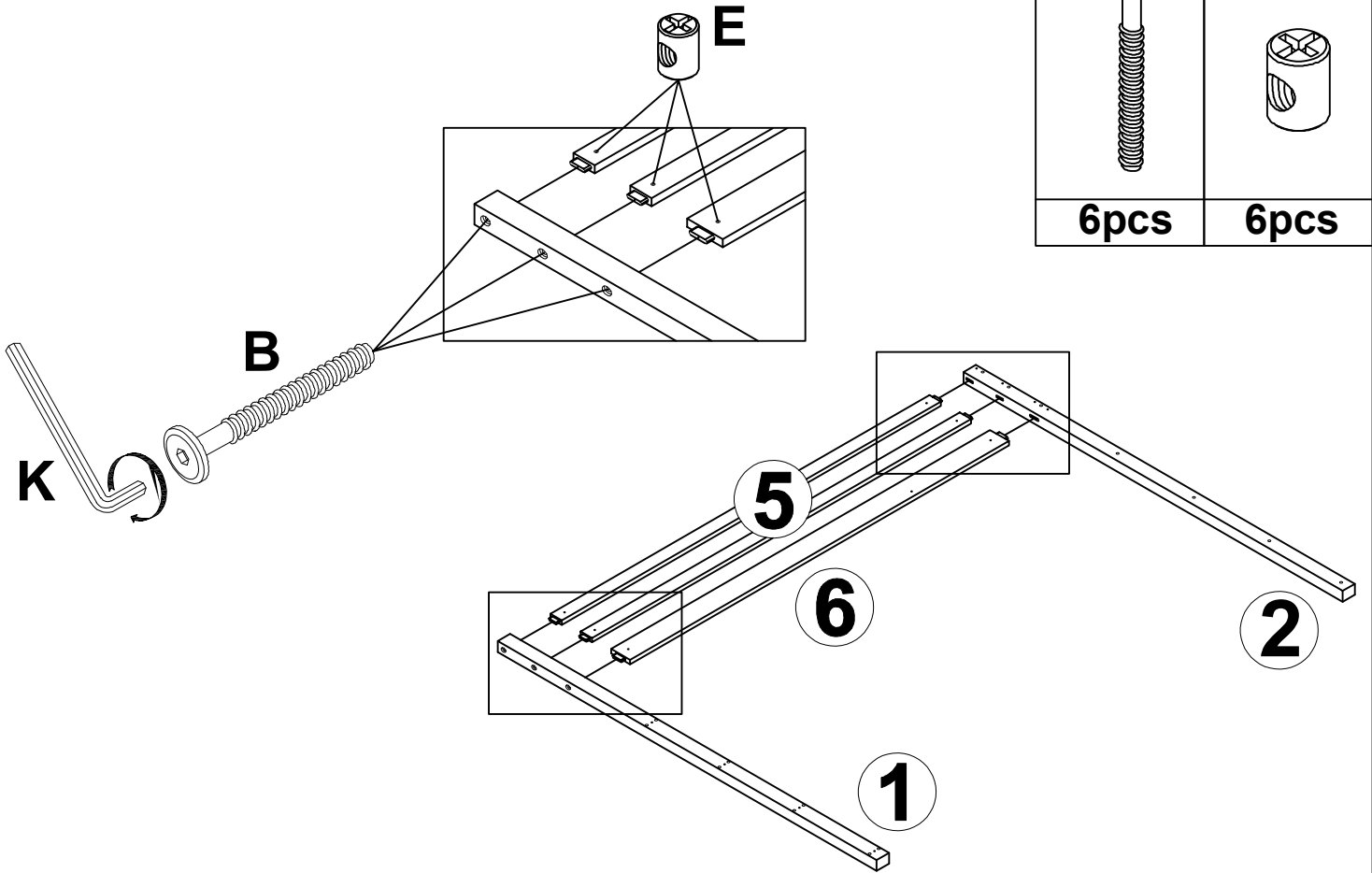
Part Lists:WF320263

<p>1</p> 	<p>2</p> 	<p>3</p> 
<p>Front left leg - 1 PC</p>	<p>Back left leg - 1 PC</p>	<p>Front right leg - 1 PC</p>
<p>4</p> 	<p>8</p> 	<p>9</p> 
<p>Back right leg - 1 PC</p>	<p>Back horizontal - 2 PCS</p>	<p>Back side rail - 1 PC</p>
<p>10</p> 	<p>11</p> 	<p>12</p> 
<p>Back horizontal (lower) - 1 PC</p>	<p>Front side rail - 1 PC</p>	<p>Front horizontal - 2 PCS</p>
<p>13</p> 	<p>14</p> 	<p>22</p> 
<p>Middle horizontal - 1 PC</p>	<p>Front middle leg - 1 PC</p>	<p>Middle left leg - 1 PC</p>
<p>23</p> 	<p>24</p> 	
<p>Middle leg - 1 PC</p>	<p>Back middle leg - 1 PC</p>	

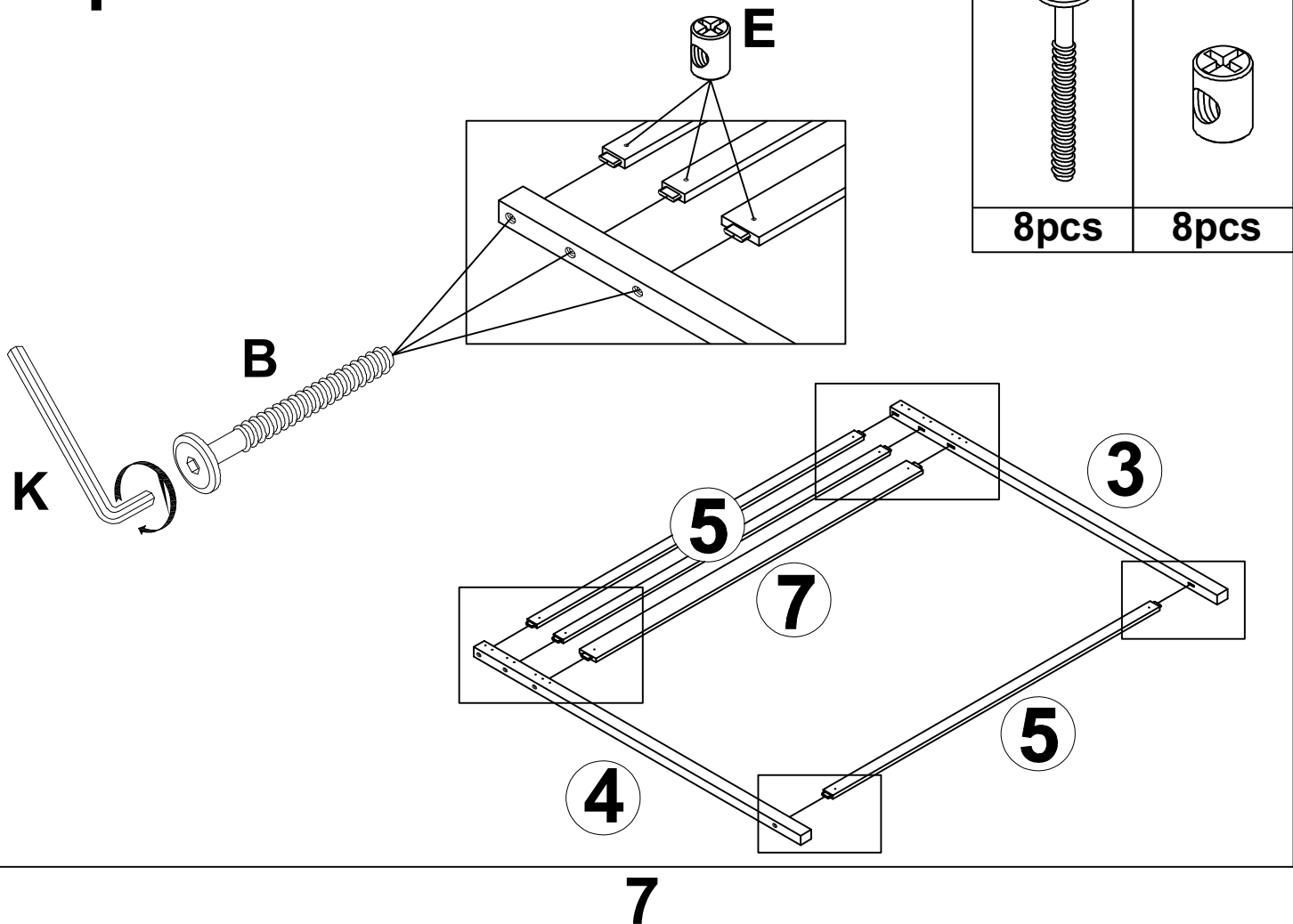
Hardware Lists:WF320263

A  Ø10*30mm Wood dowel (30pcs)	B  Ø1/4"*100mm Hex-Head bolt (16pcs)	C  Ø1/4"*85mm Hex-Head bolt (36pcs)
D  Ø1/4"*65mm Hex-Head bolt (6pcs)	E  Ø1/4"*9.5*12mm Horizontal-Hole bolt (58pcs)	F  Ø6*25mm Hex-Head screw (1pc)
G  Ø6*30mm Hex-Head screw (6pcs)	H  #4*30mm Screw (42pcs)	J  #3.5*15mm Screw (12pcs)
K  K4mm Allen key (1pc)	L  75*40*25mm U bracket (2pcs)	M  58*16*16 (1.5mm) Metal bracker (4pcs)
N  #4*38mm Screw (12pcs)	O  Ø9*32mm Plastic anchor (4pcs)	

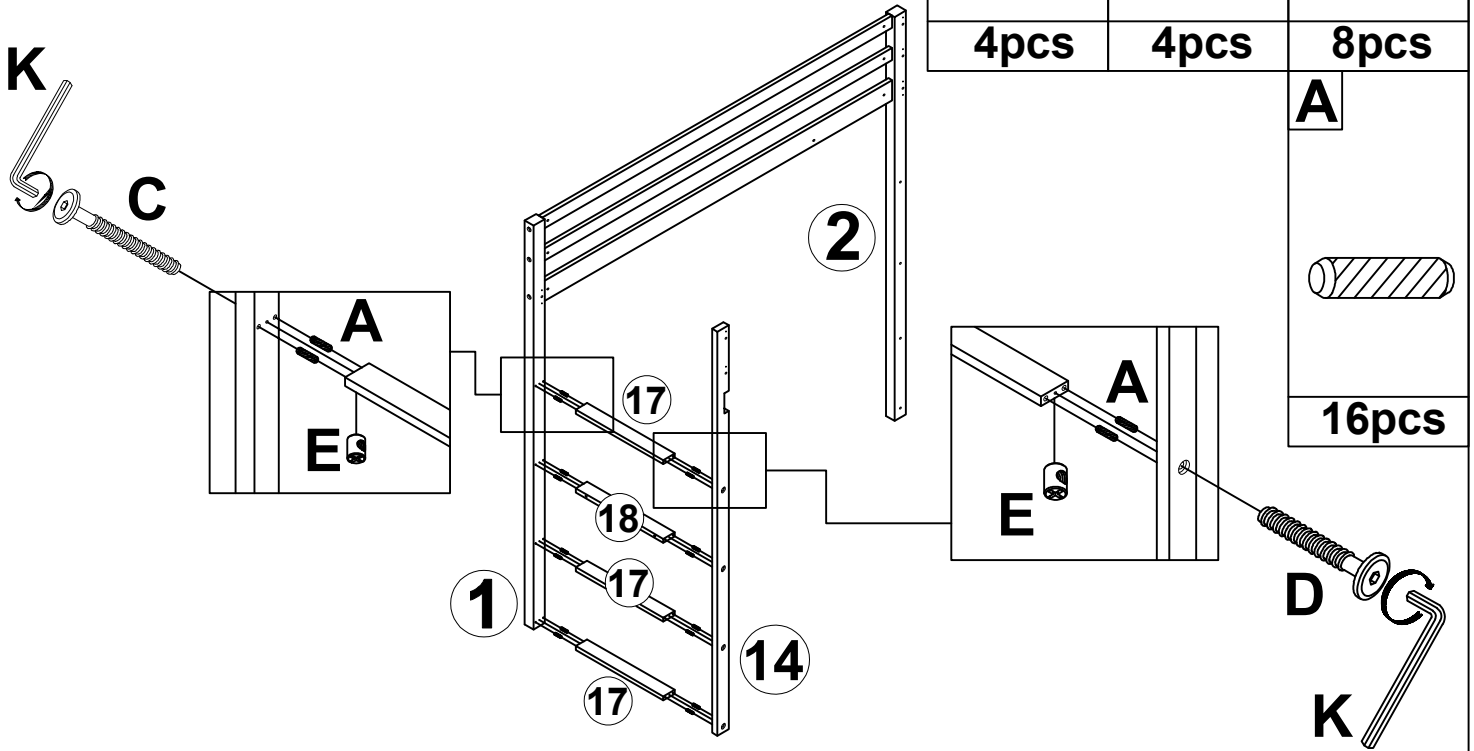
Step 1:



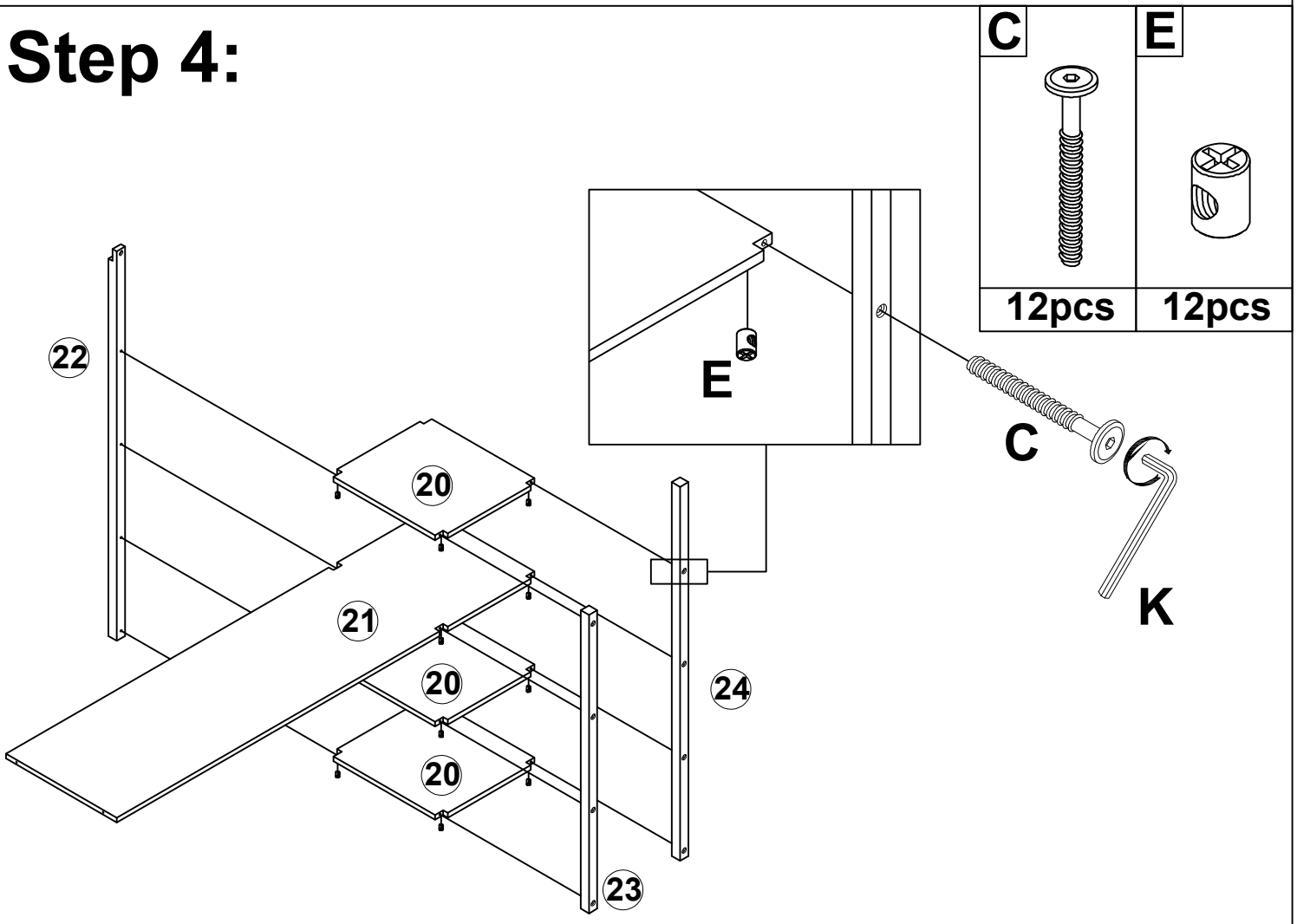
Step 2:



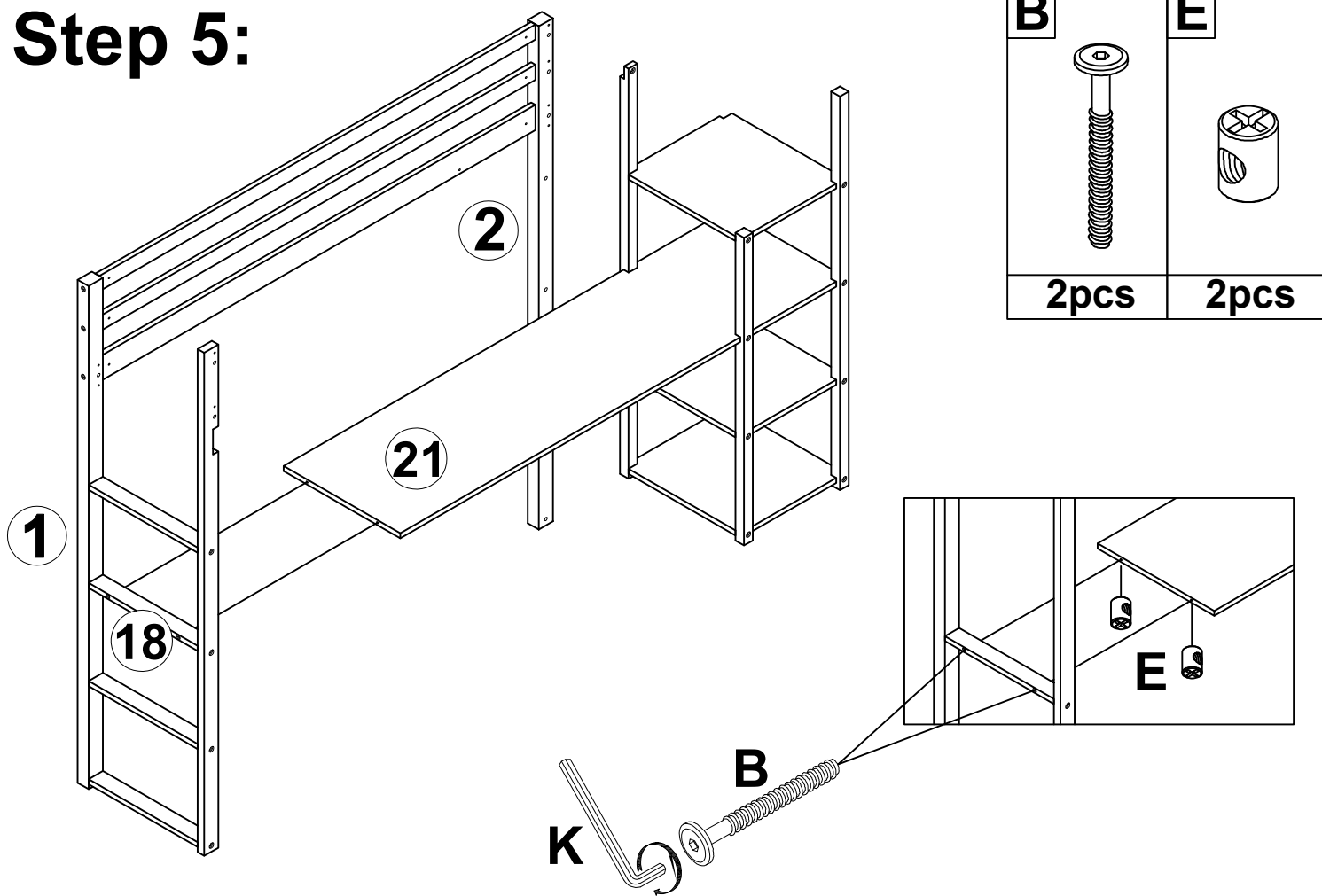
Step 3:



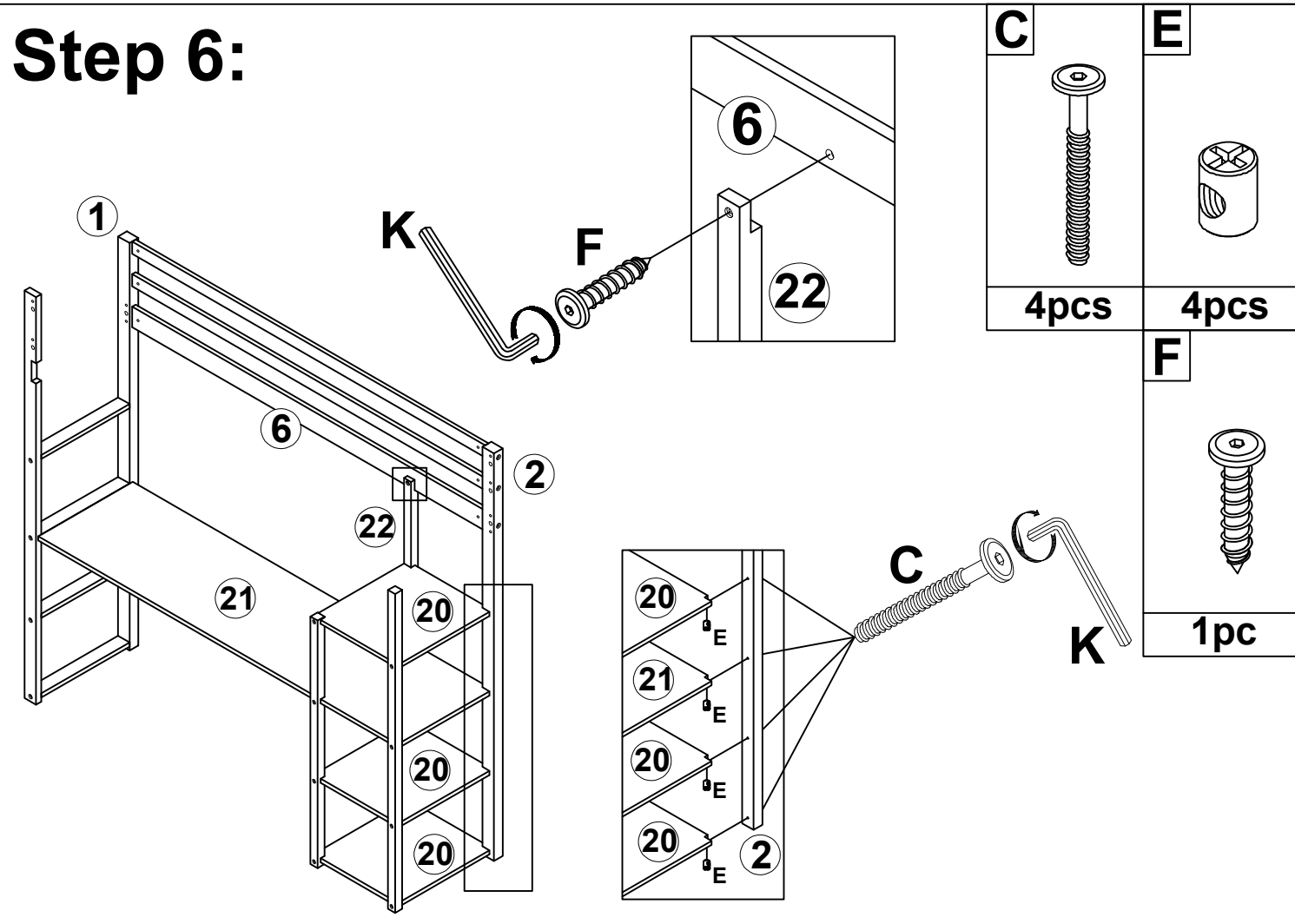
Step 4:



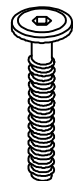
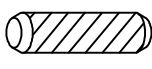


Step 5:

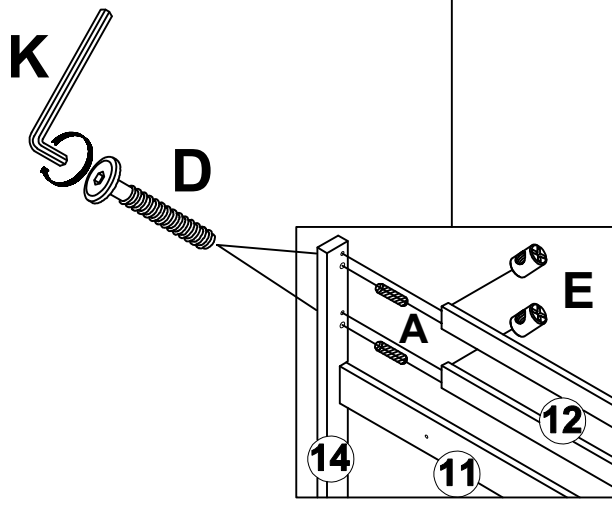
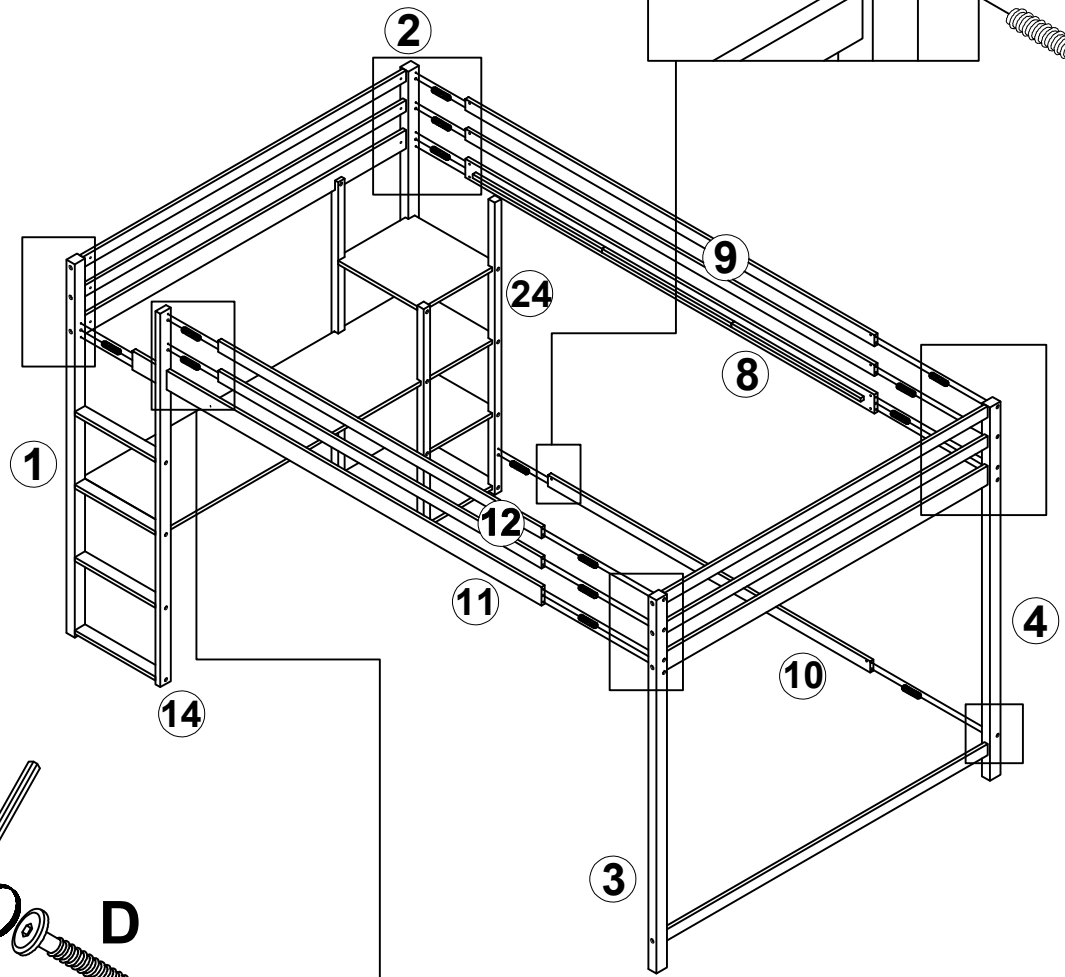
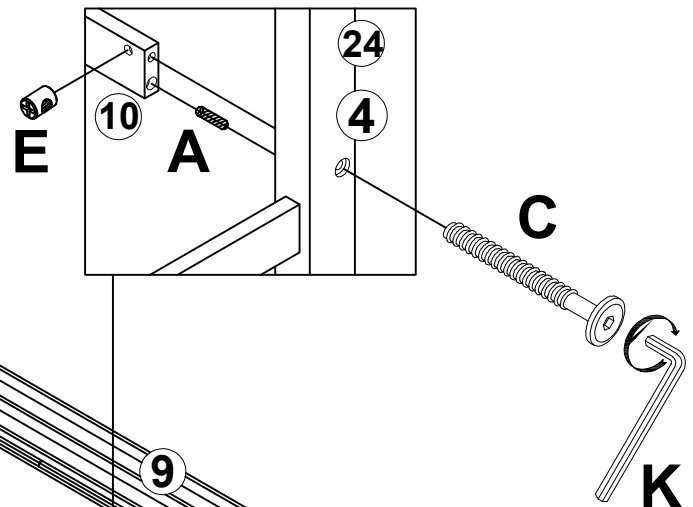
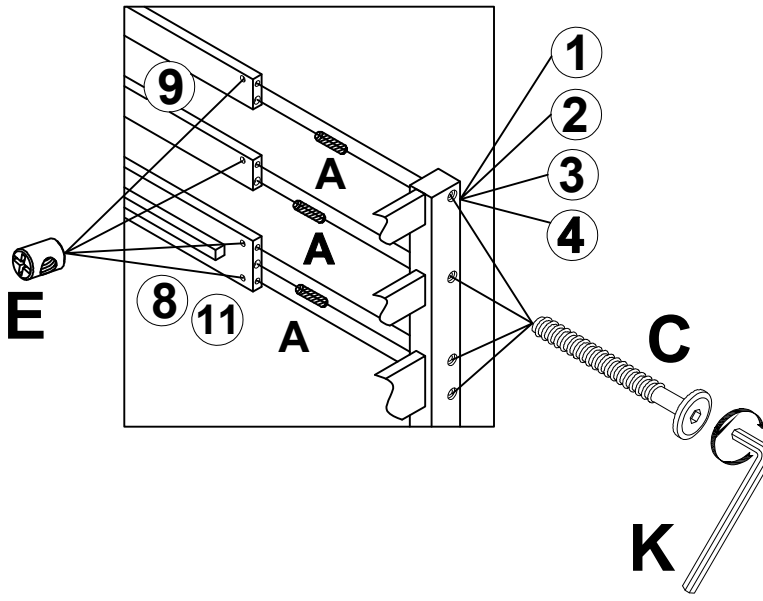


Step 6:

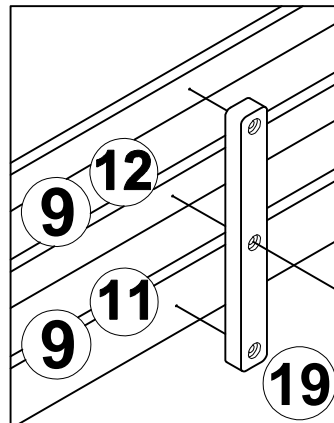
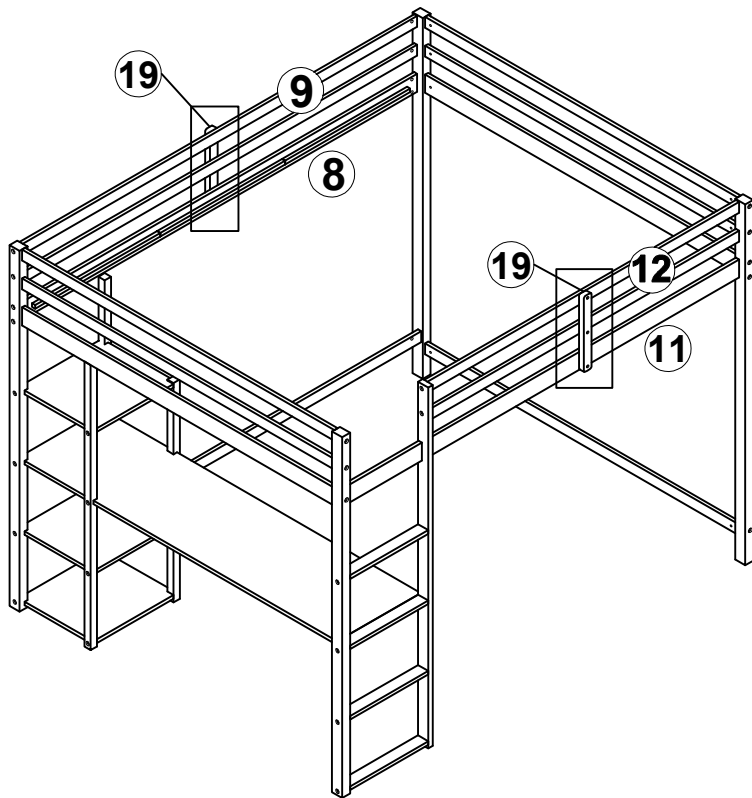


Step 7:

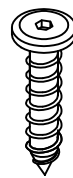
D	A	C	E
			
2pcs	14pcs	16pcs	18pcs



Step 8:

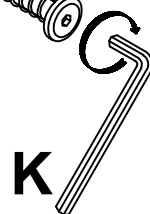


G



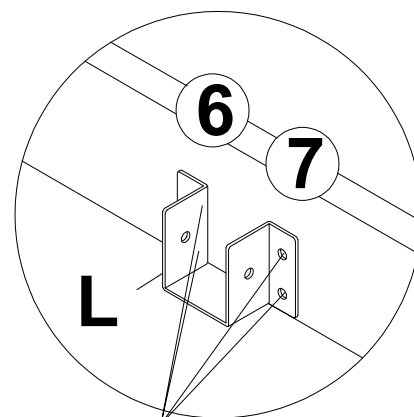
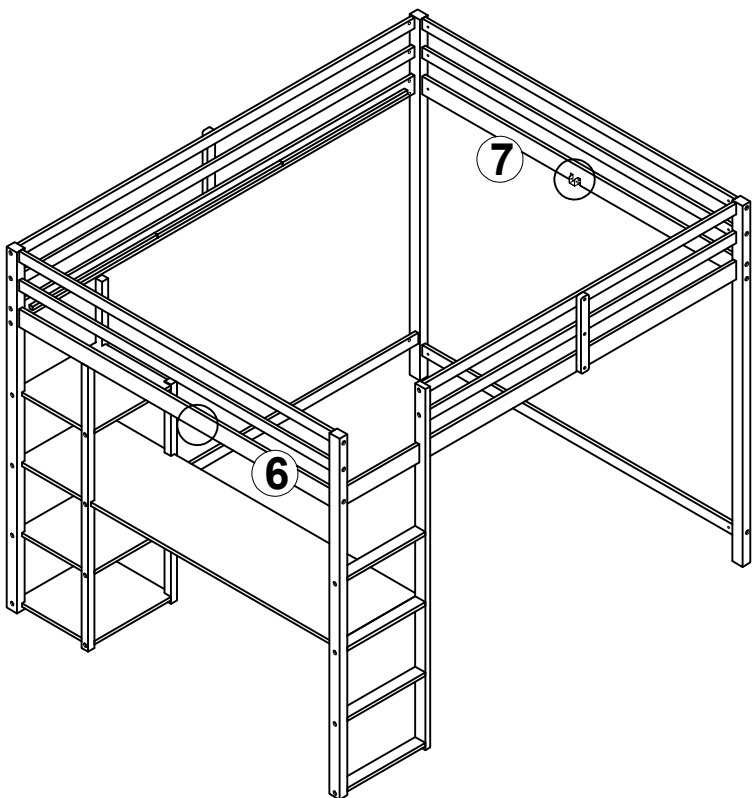
6 pcs

G

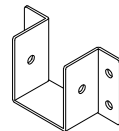


K

Step 9:

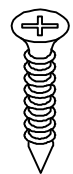


L

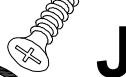


2 pcs

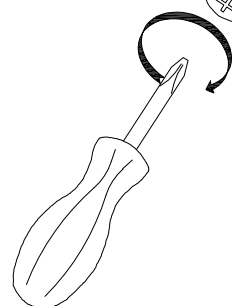
J



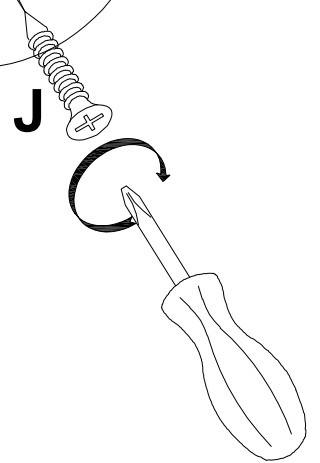
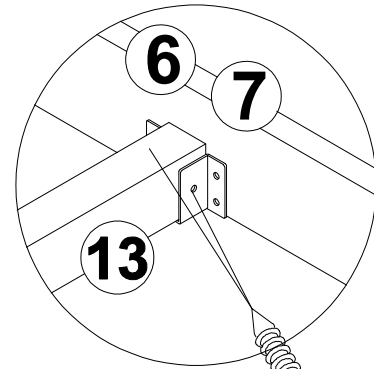
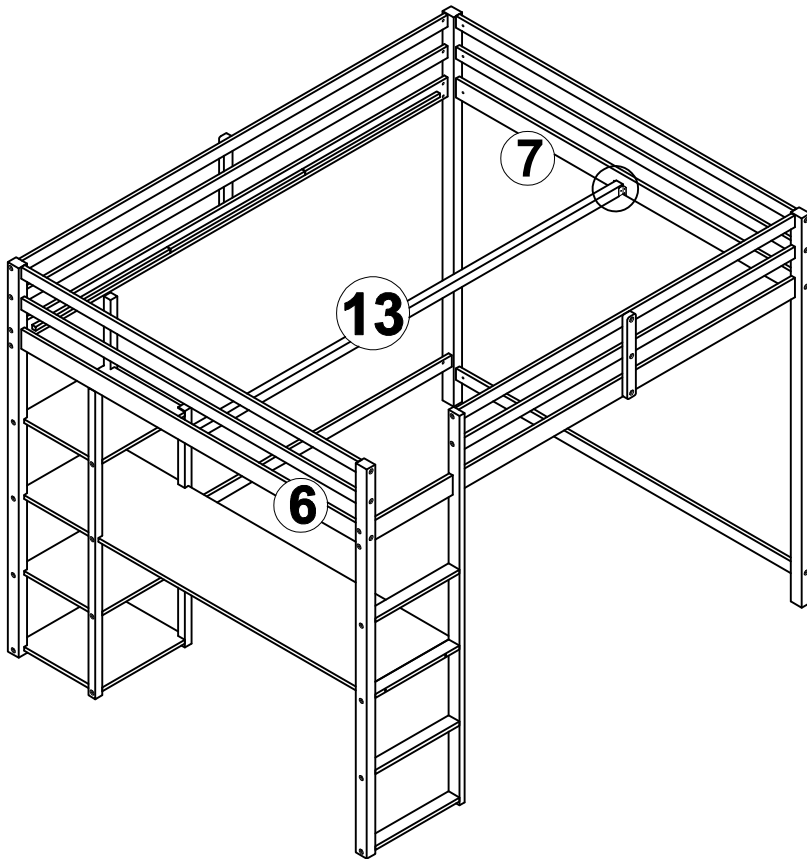
8 pcs



J



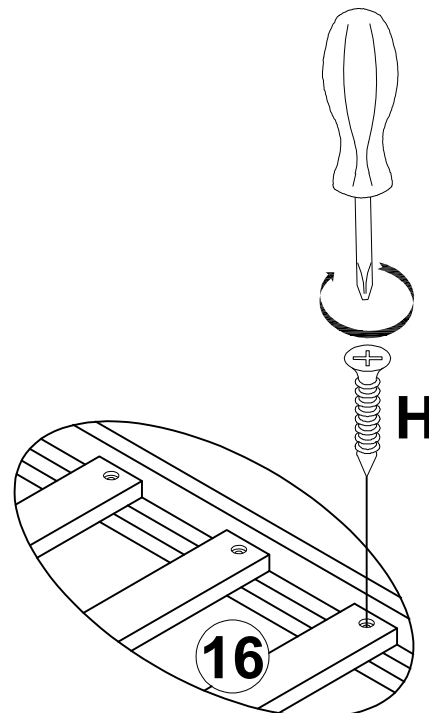
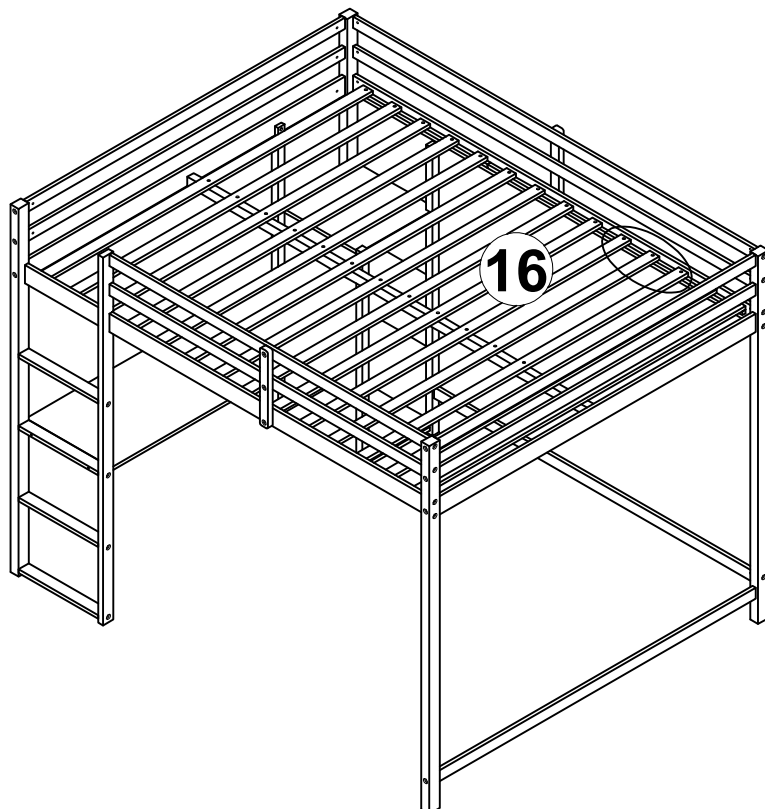
Step 10:



J

4pcs

Step 11:

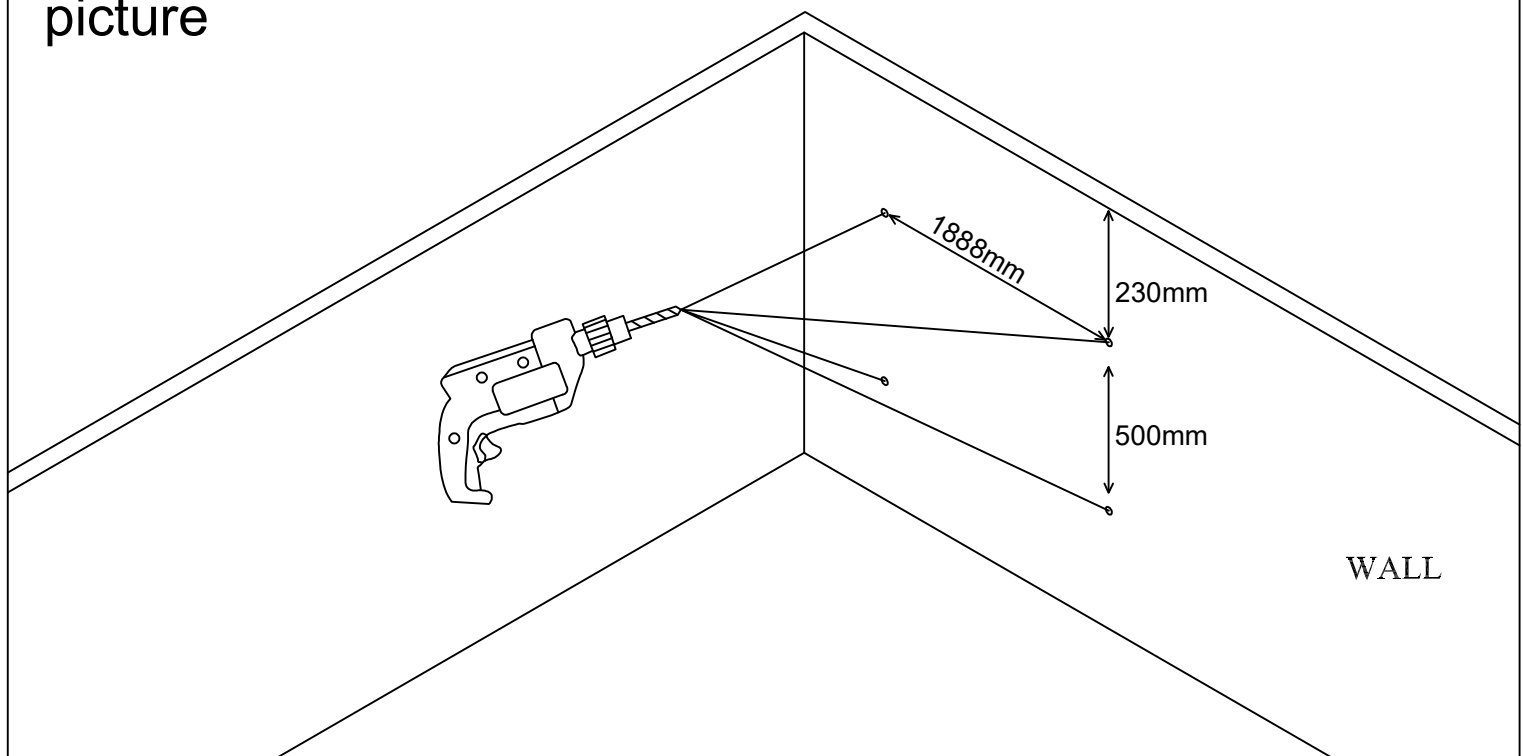


H

42pcs

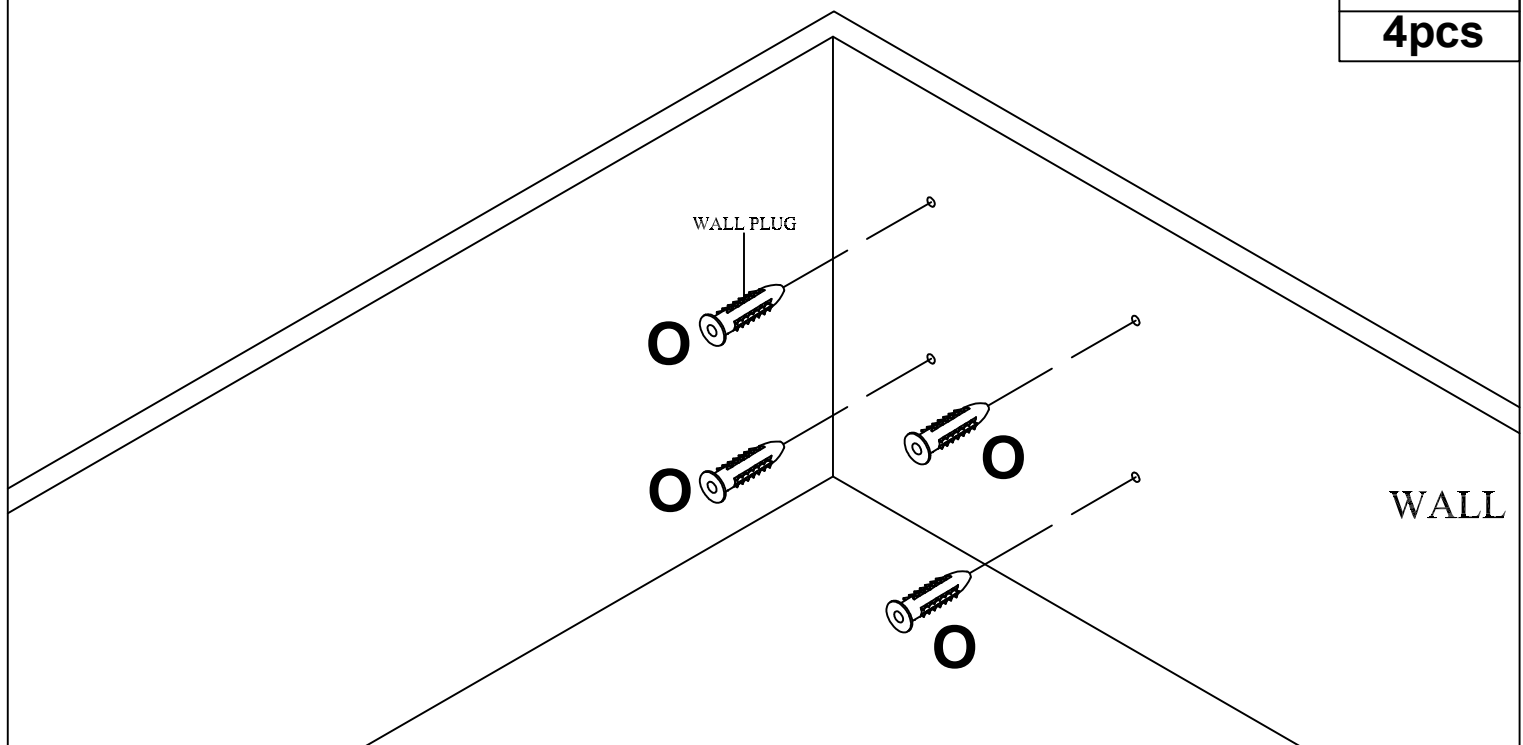
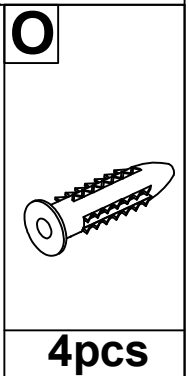
Step 12:

Note: Use a wall drill to drill 4 holes the size shown in the picture



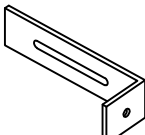
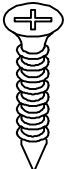
Step 13:

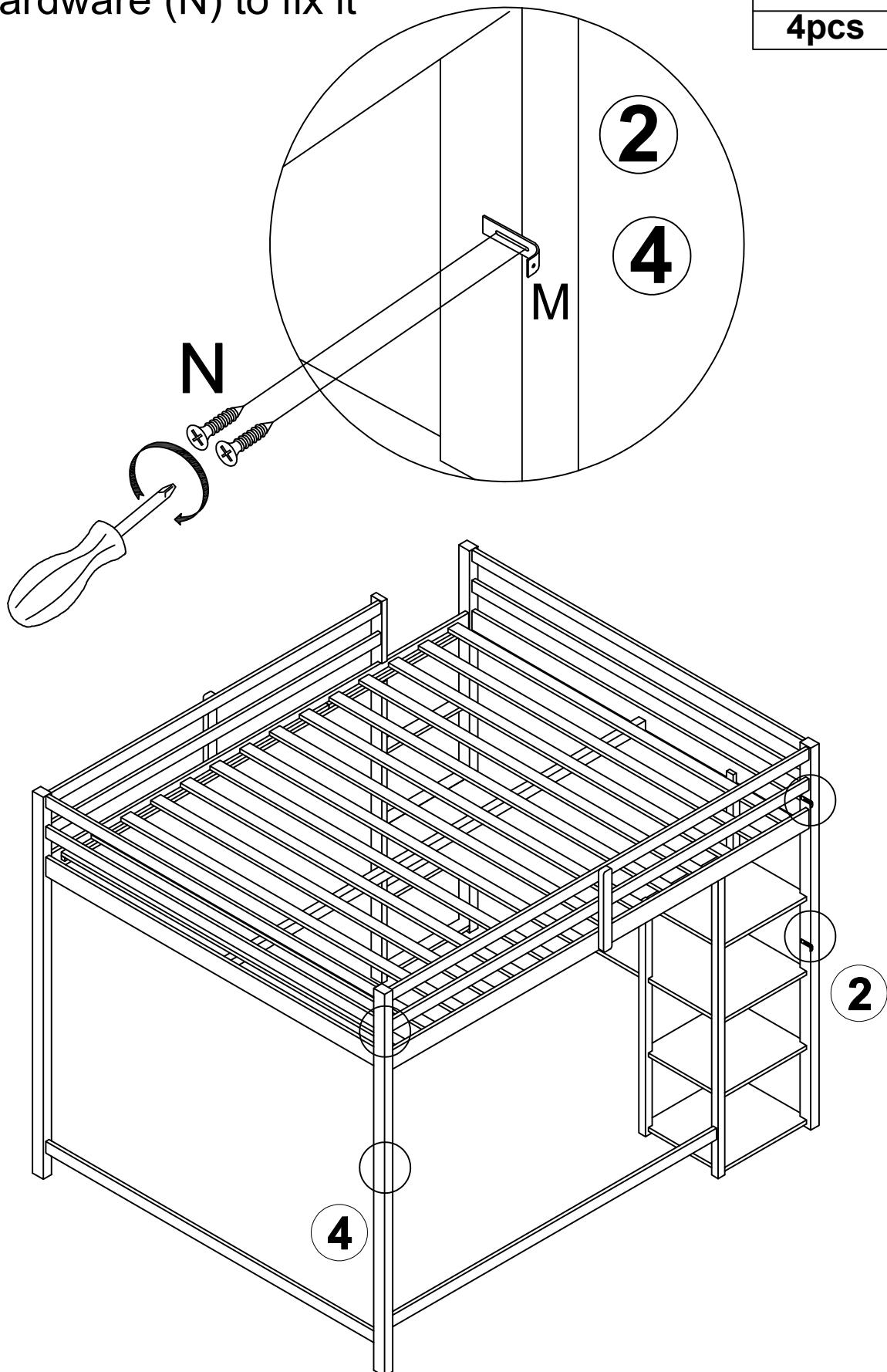
Note: Use plastic pegs to close the 4 holes drilled in Step 12



Step 14:

Note: Use the bass (M) to attach to the foot of the bed (2 & 4) and use hardware (N) to fix it

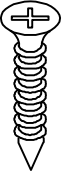
M	N
	
4pcs	8pcs



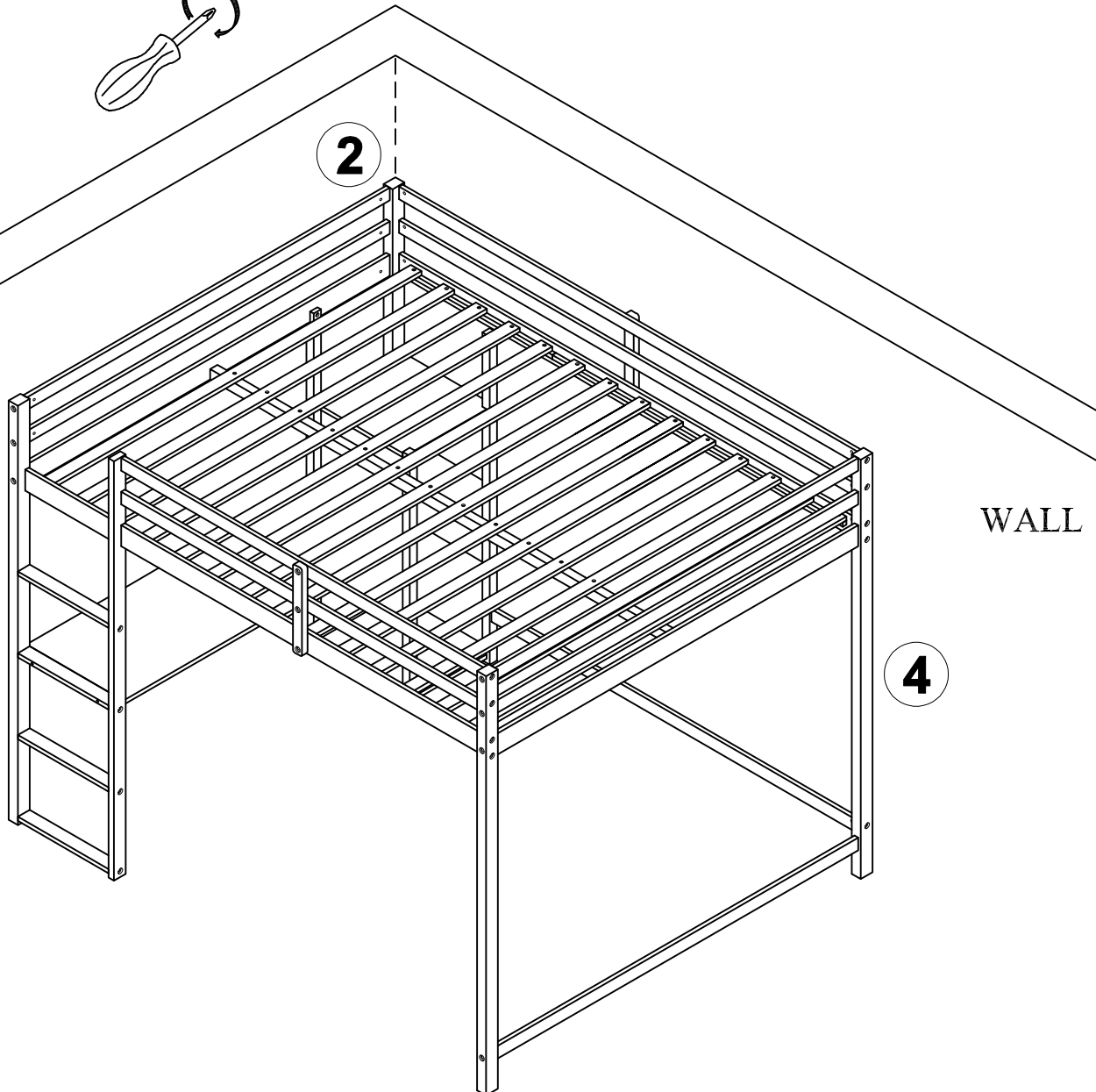
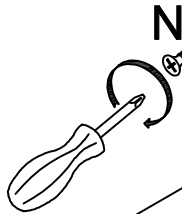
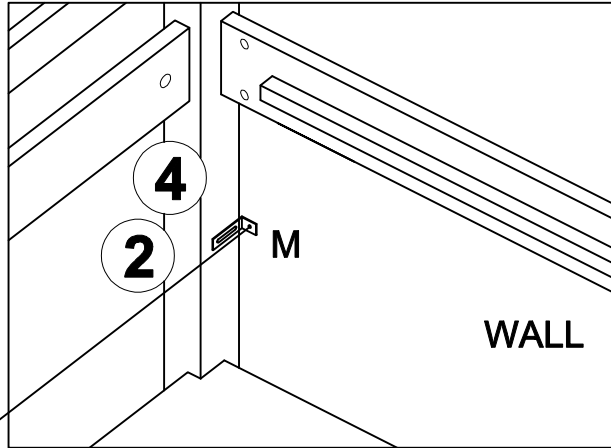
Step 15:

Note: Use the hardware (N) to fix it in the bass (M) and the 4 holes with plastic pegs made in Steps 12 & 13 & 14.

N



4pcs



COMPLETED

