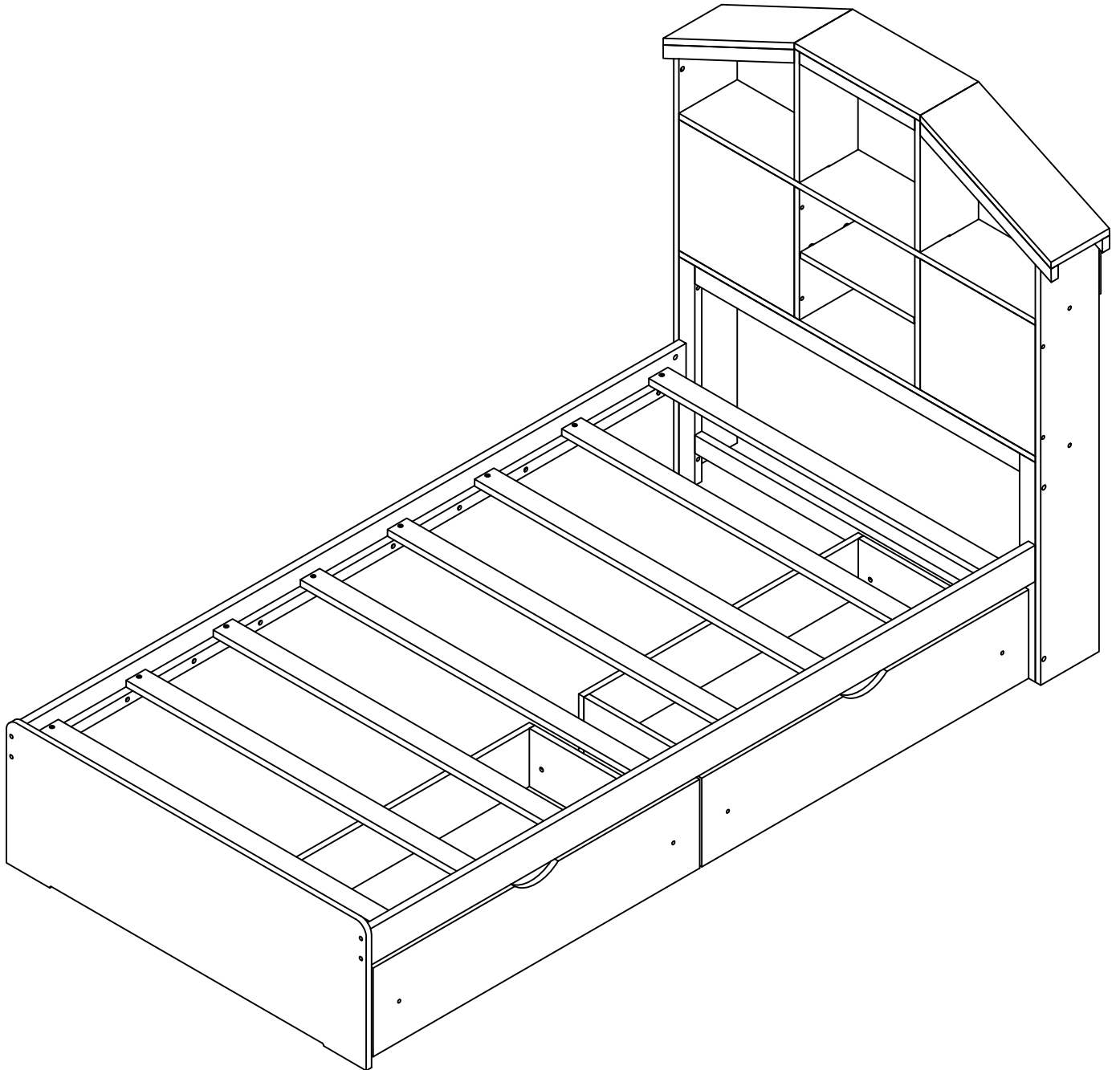


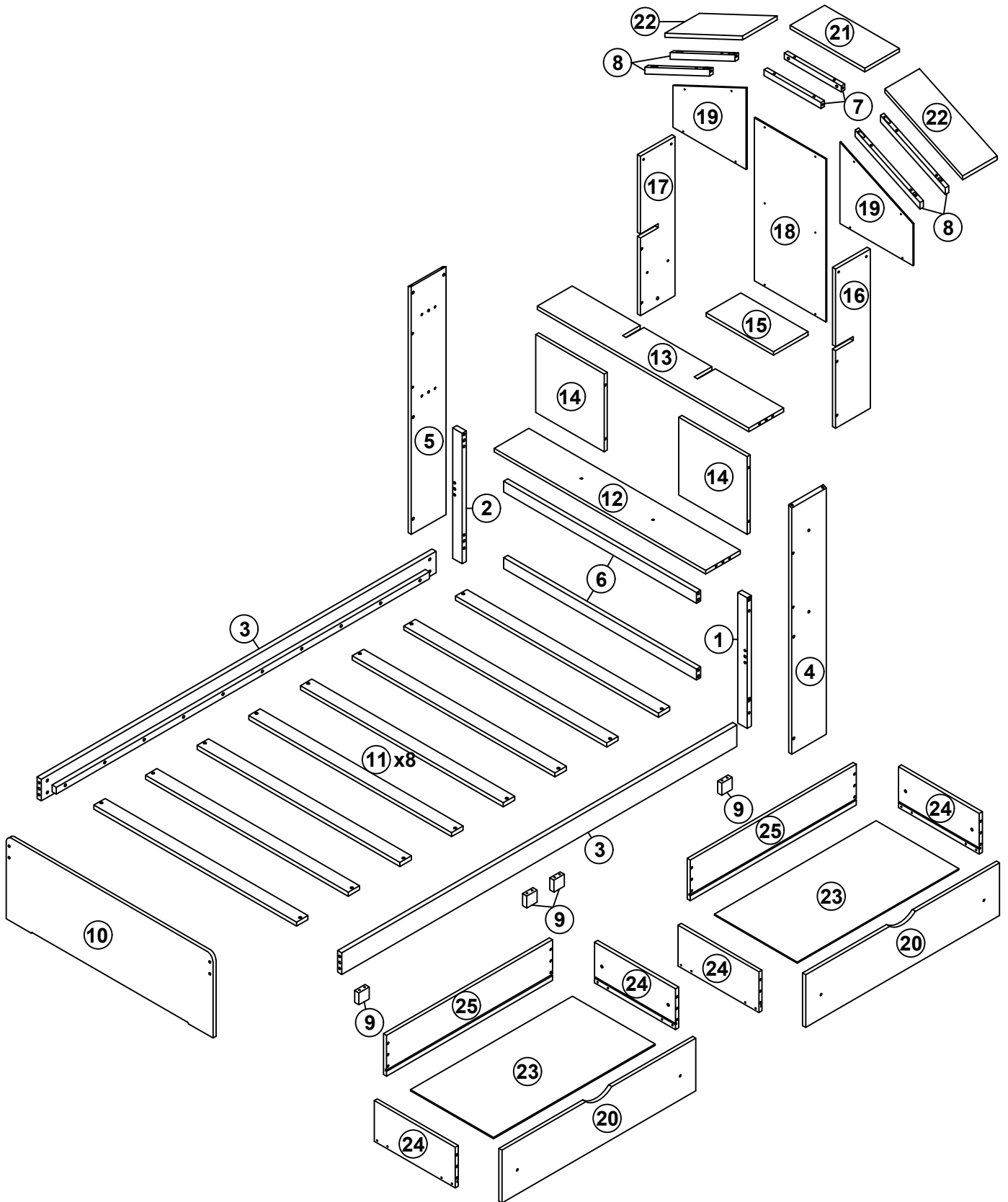
ASSEMBLY INSTRUCTIONS

TWIN BED WITH BOOKCASE & DRAWERS



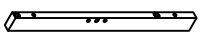
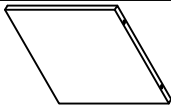
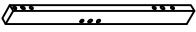
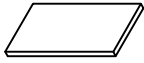
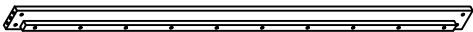
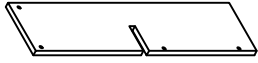
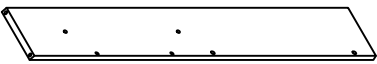
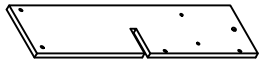
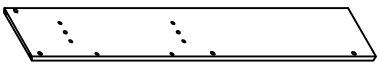
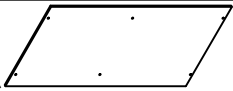
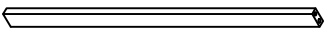
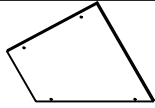
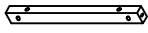


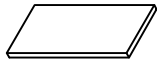

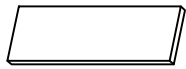
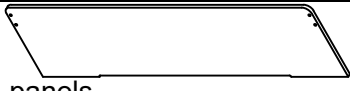
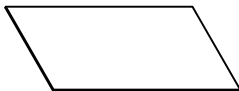
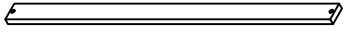
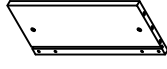
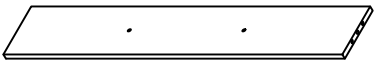
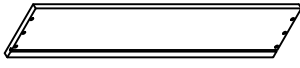
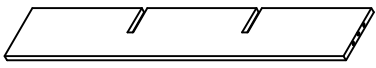
WF317037

ASSEMBLY INSTRUCTIONS











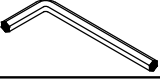


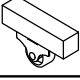


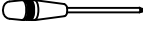


ASSEMBLY INSTRUCTIONS

WF317037 (Hardware in this SKU)

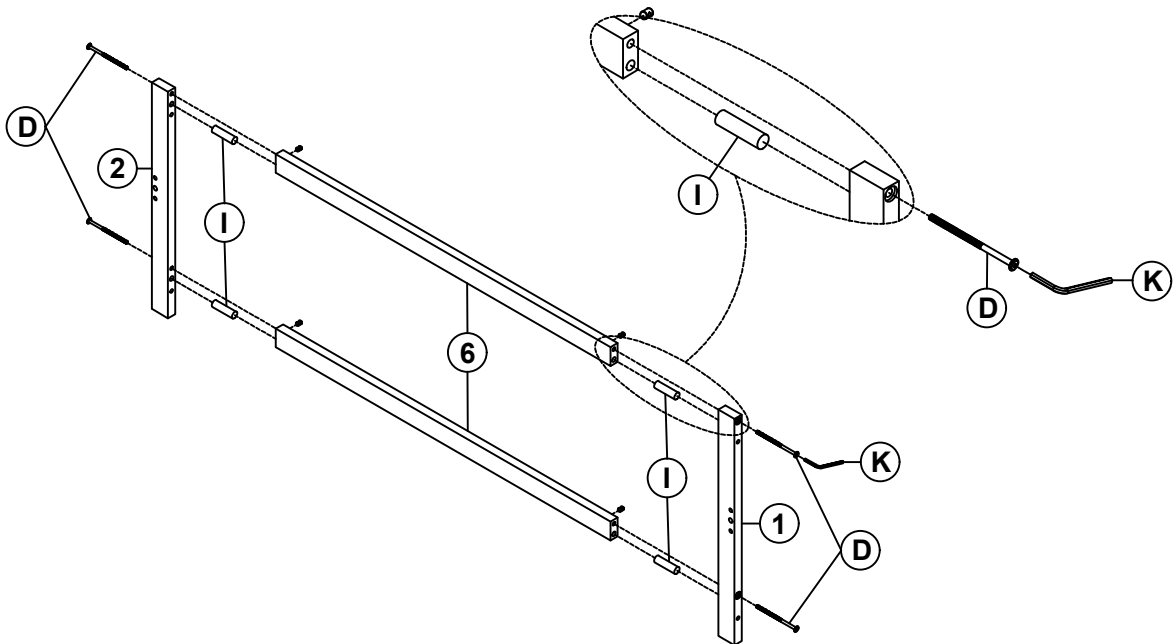
1	Leg		1pc	14	Front shelves panels		2pcs
2	Leg		1pc	15	Shelves panels		1pc
3	Side rails		2pcs	16	Shelves panels		1pc
4	Right side shelves		1pc	17	Shelves panels		1pc
5	Left side shelves		1pc	18	Back shelves panels		1pc
6	Headboard panels rail		2pcs	19	Back shelves panels		2pcs
7	Upper plank support bar		2pcs	20	Front drawers		2pcs
8	Side plank supports bar		4pcs	21	Planks on shelves		1pc
9	Support drawer		4pcs	22	Planks on shelves		2pcs
10	headboard panels		1pc	23	Bottom drawers		2pcs
11	Slats		8pcs	24	Side drawers		4sps
12	Shelves bottom panels		1pc	25	Back drawers		2pcs
13	Shelves top panels		1pc				





ASSEMBLY INSTRUCTIONS

HARDWARE LIST (WF317037)

A	Ø4x30		40PCS	H	1/4x40		12PCS
B	Ø3.5x12		18PCS	I	Ø10x30		8PCS
C	20x17		4PCS	J	Ø8x30		24PCS
D	1/4x90	 	4PCS	K	4x58		1PC
E	1/4x65	 	8PCS	L			8PCS
F	1/4x60	 	30PCS	Phillip head screw Not include			
G	1/4x55	 	4PCS				

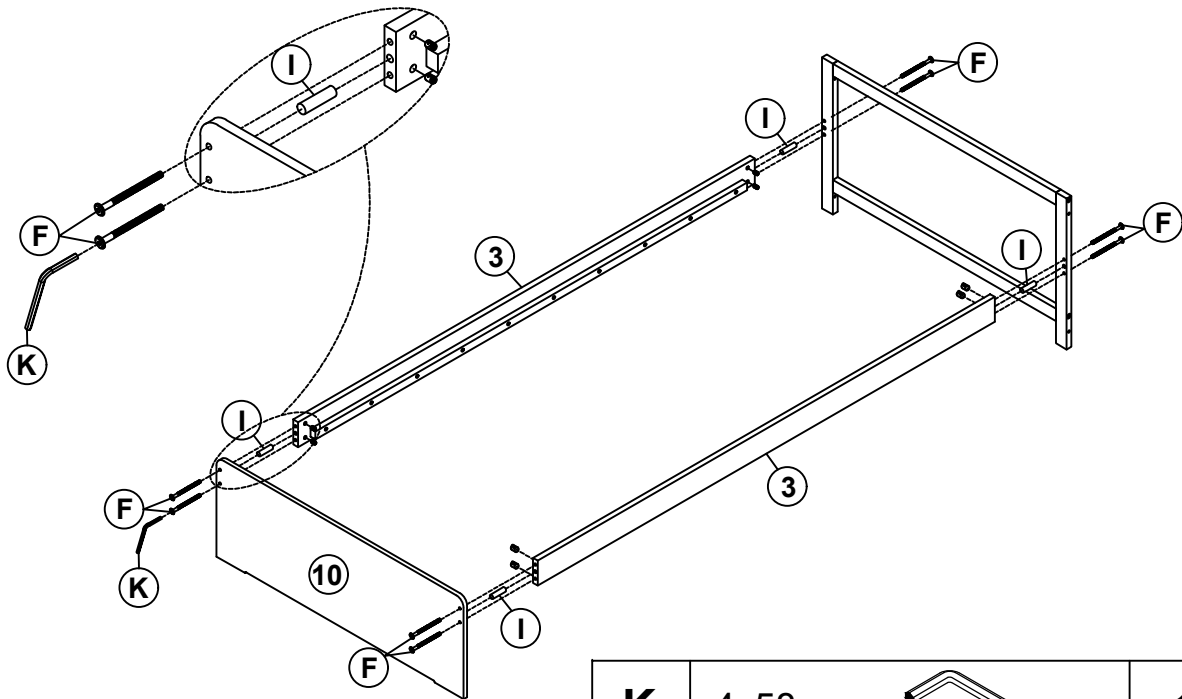
Step 1






K	4x58		1PC	I	Ø10x30		4PCS
D	1/4x90	 	4PCS				

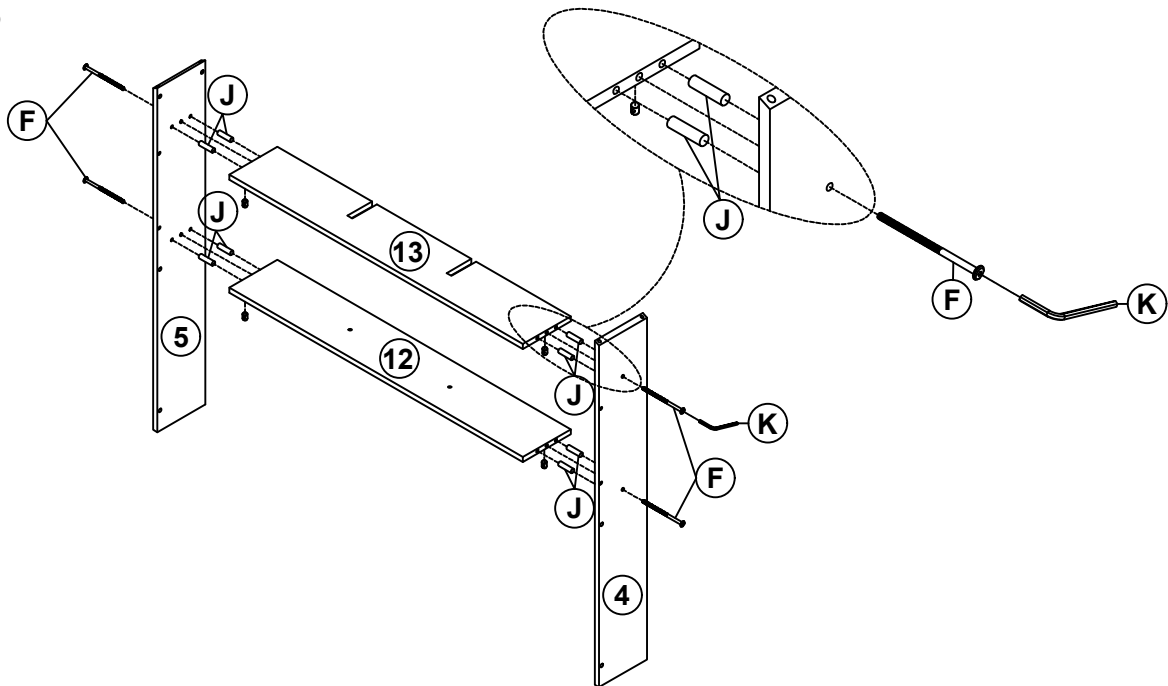
ASSEMBLY INSTRUCTIONS




Step 2



K	4x58		1PC
F	1/4x60		8PCS
I	Ø10x30		4PCS

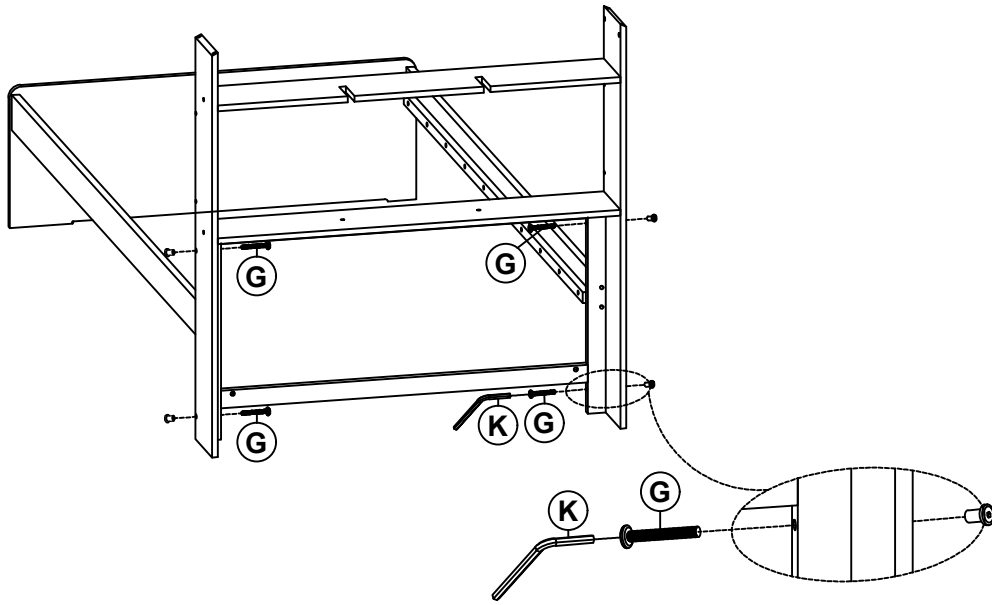
Step 3



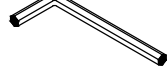


K	4x58		1PC
F	1/4x60		4PCS
J	Ø8x30		8PCS

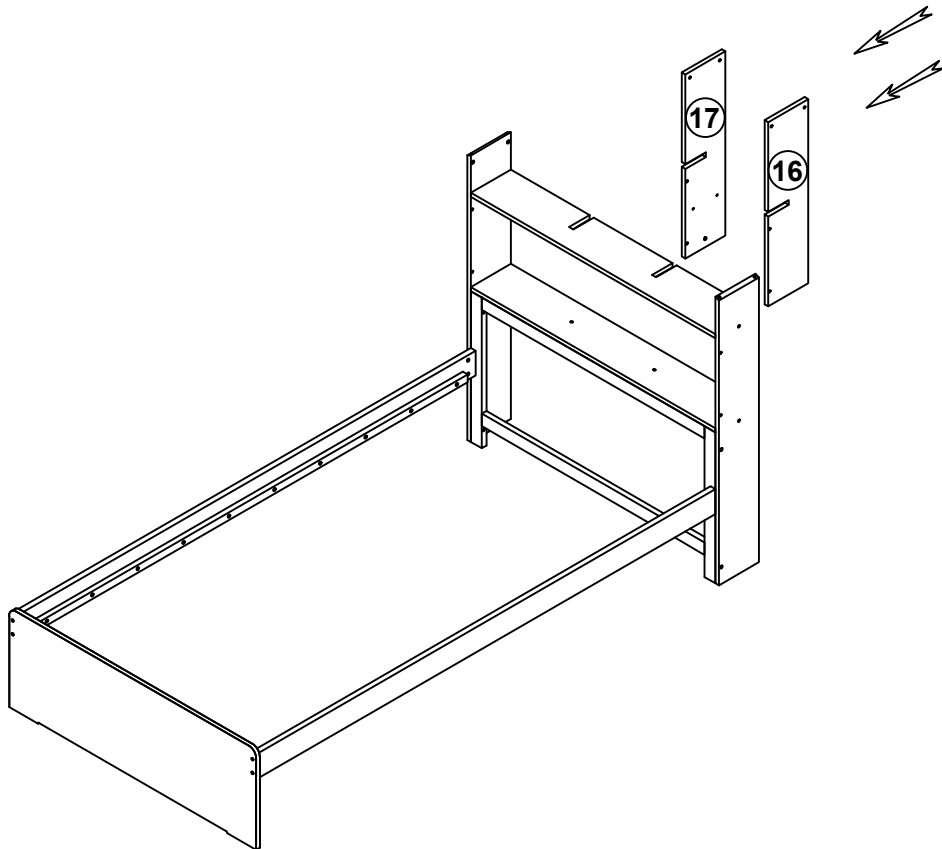
ASSEMBLY INSTRUCTIONS

Step 4



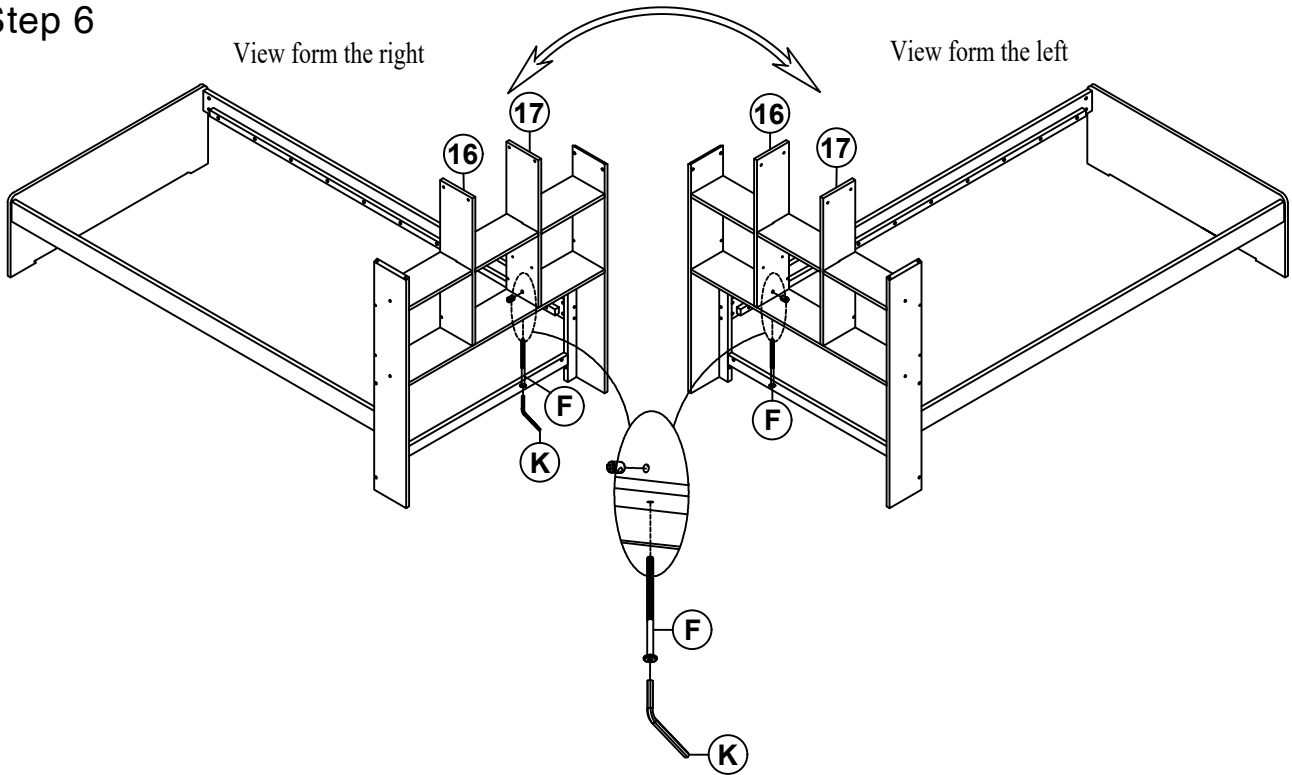
G	1/4x55			4PCS	K	4x58		1PC
----------	--------	---	---	------	----------	------	--	-----



Step 5



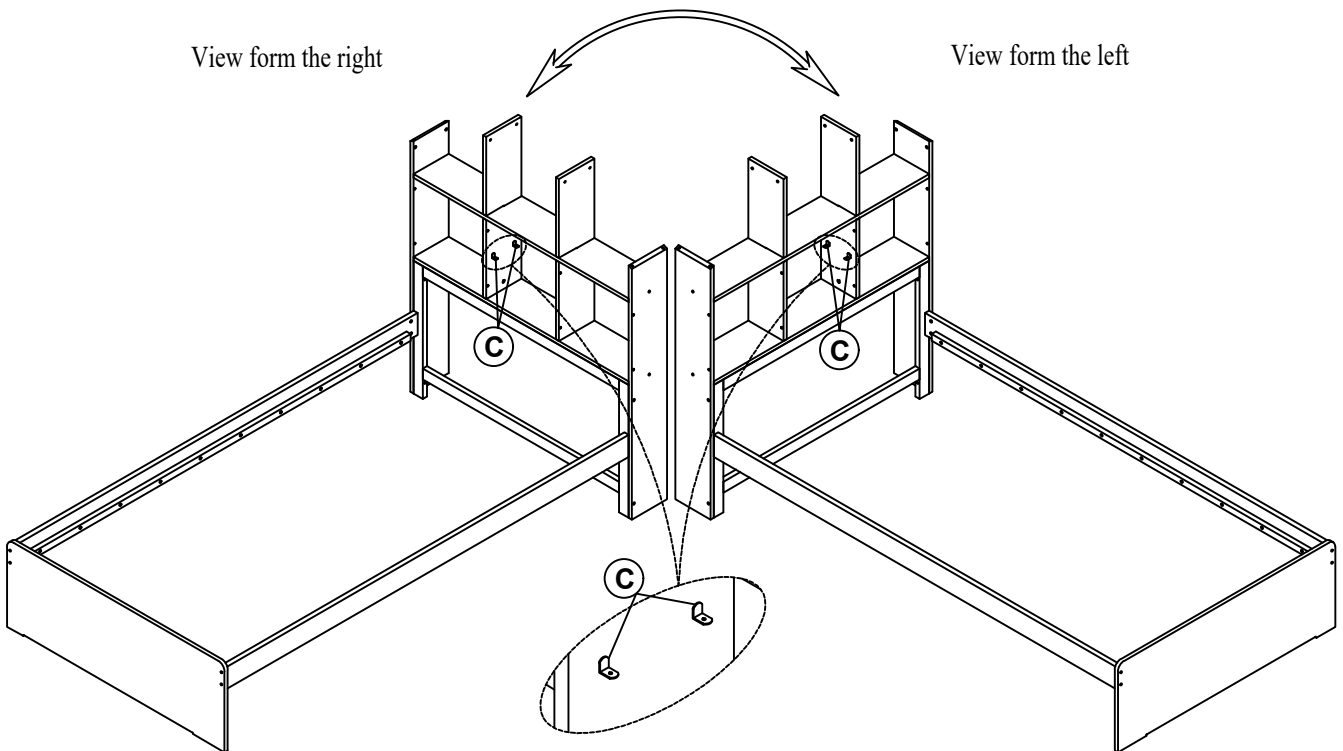
ASSEMBLY INSTRUCTIONS

Step 6



F	1/4x60		2PCS	K	4x58		1PC
----------	--------	---	------	----------	------	---	-----

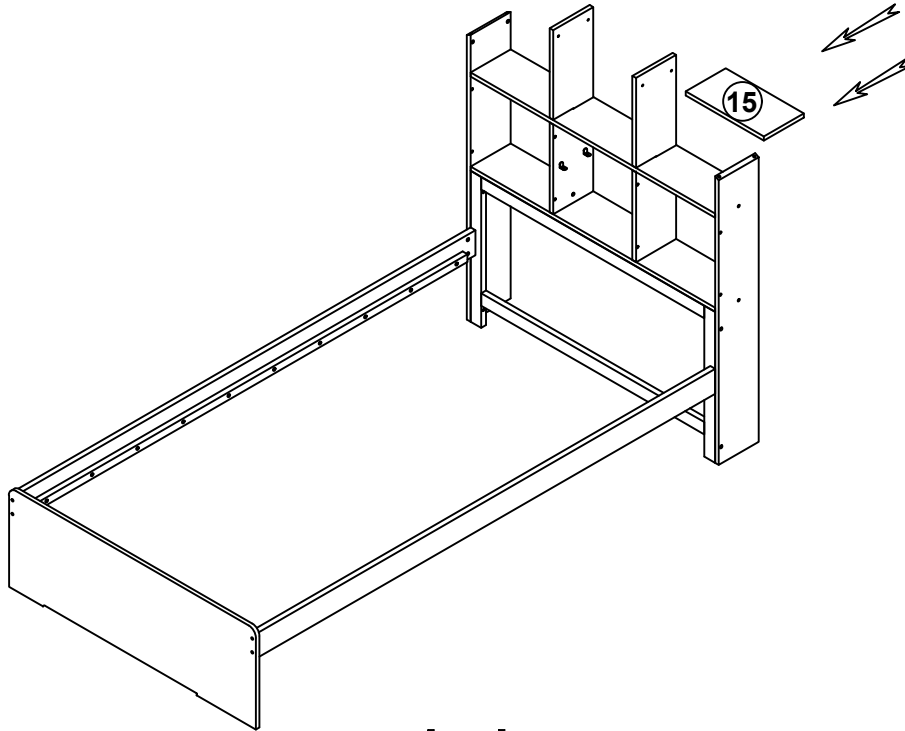
Step 7



C	20x17		4PCS
----------	-------	---	------

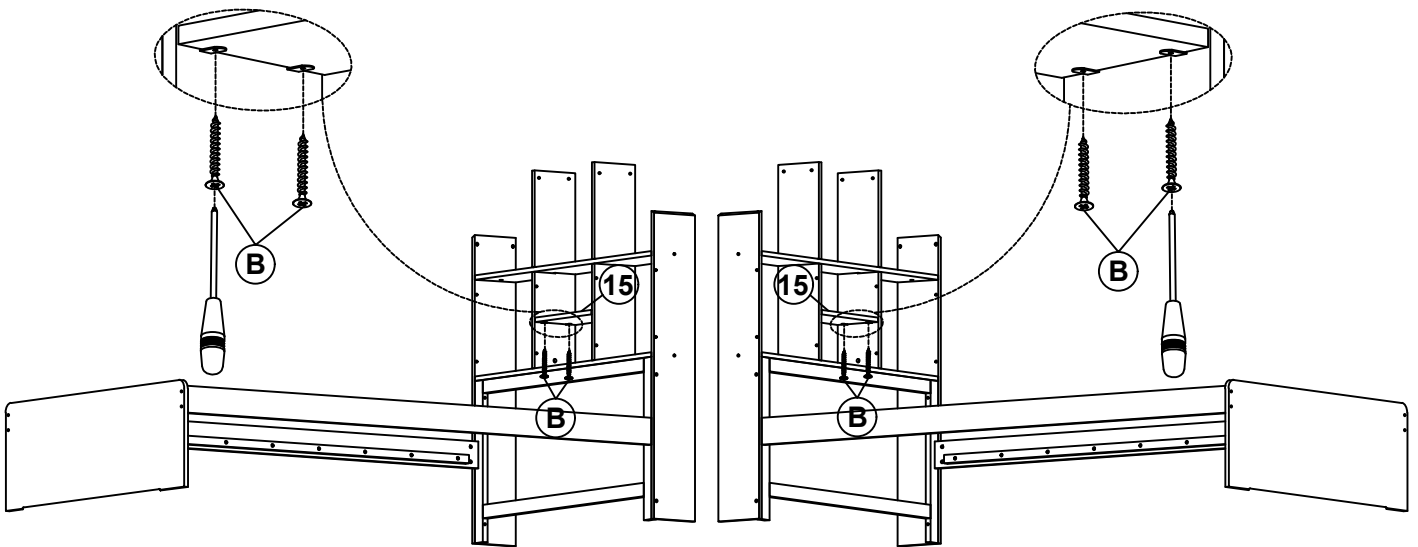
ASSEMBLY INSTRUCTIONS

Step 8



View form the right

View form the left



B

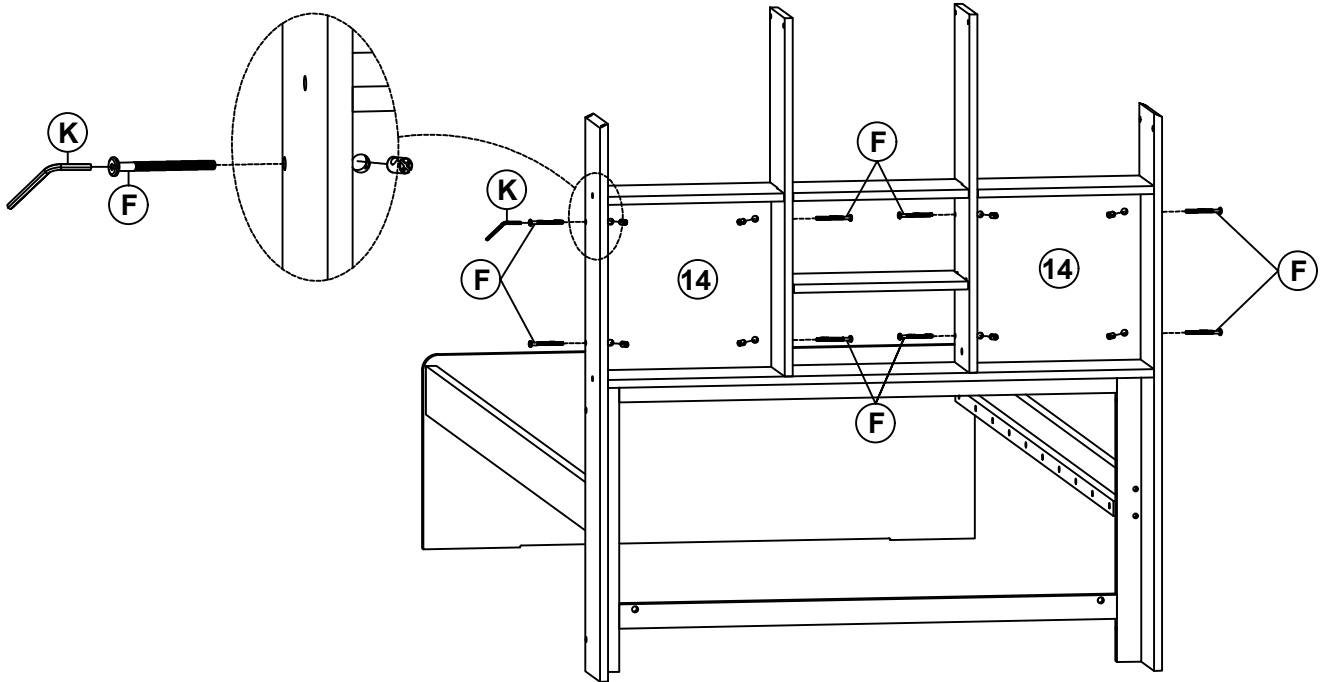
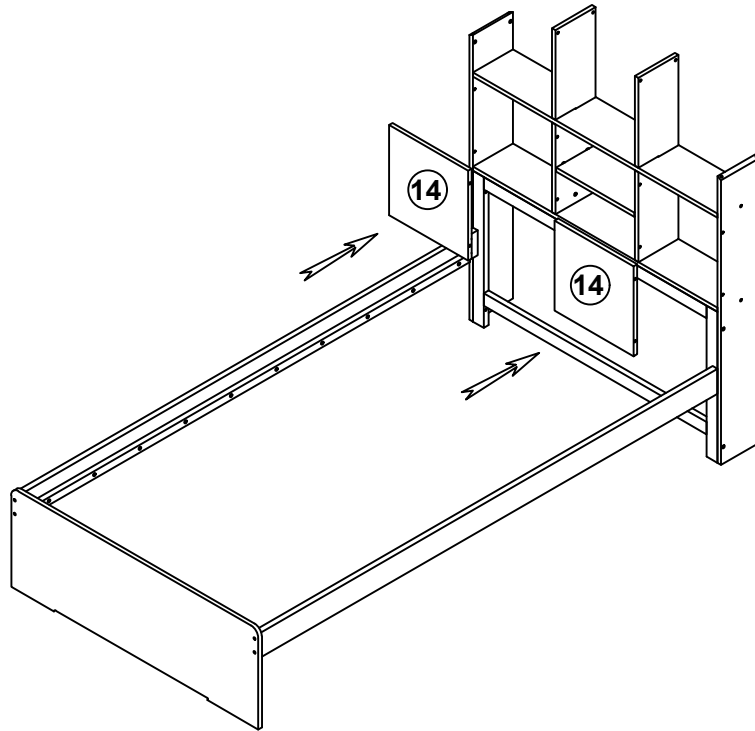
Ø3.5x12





4PCS

ASSEMBLY INSTRUCTIONS

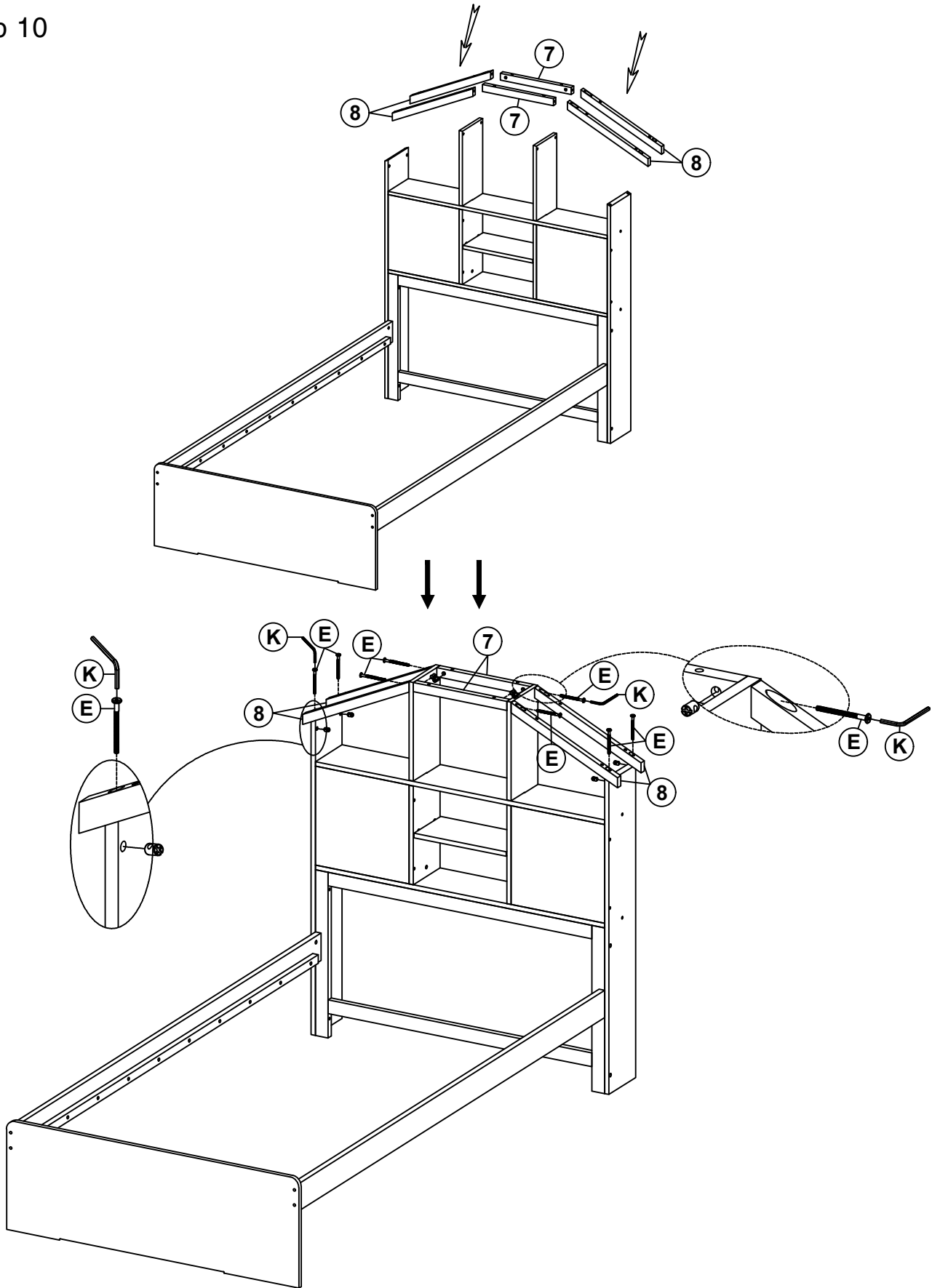
Step 9


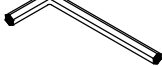


F	1/4x60		8PCS	K	4x58		1PC
----------	--------	---	------	----------	------	---	-----

ASSEMBLY INSTRUCTIONS

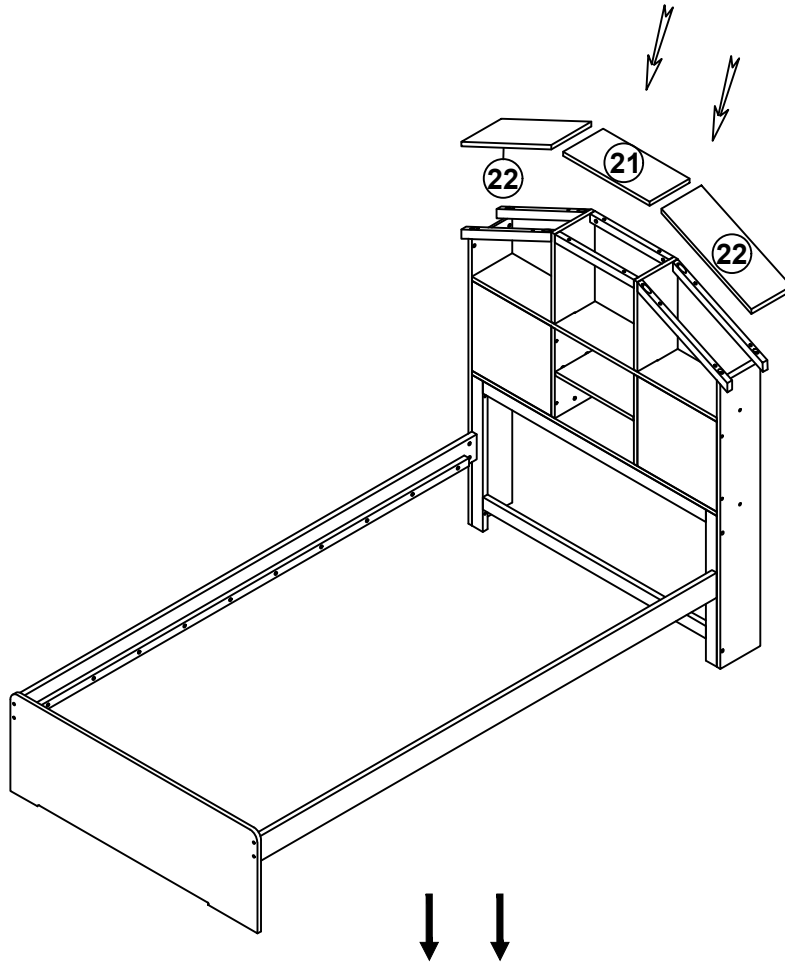
Step 10



E	1/4x65		8PCS	K	4x58		1PC
----------	--------	---	------	----------	------	---	-----

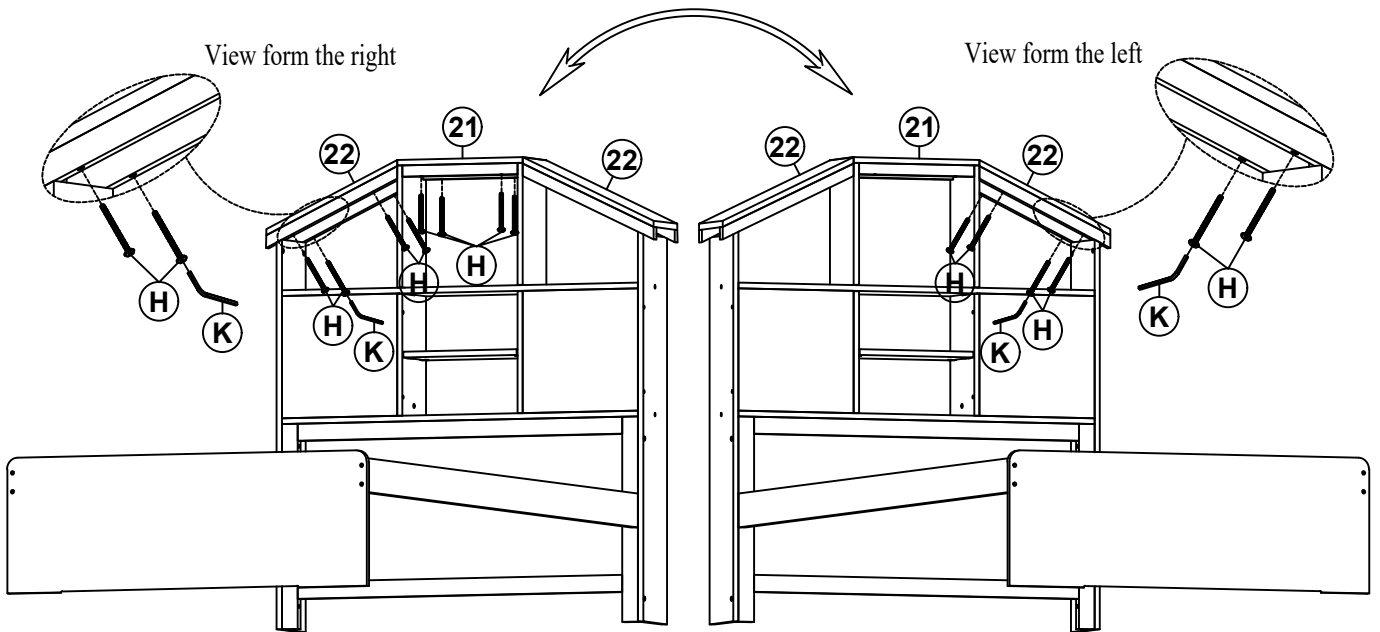
ASSEMBLY INSTRUCTIONS



Step 11



View from the right

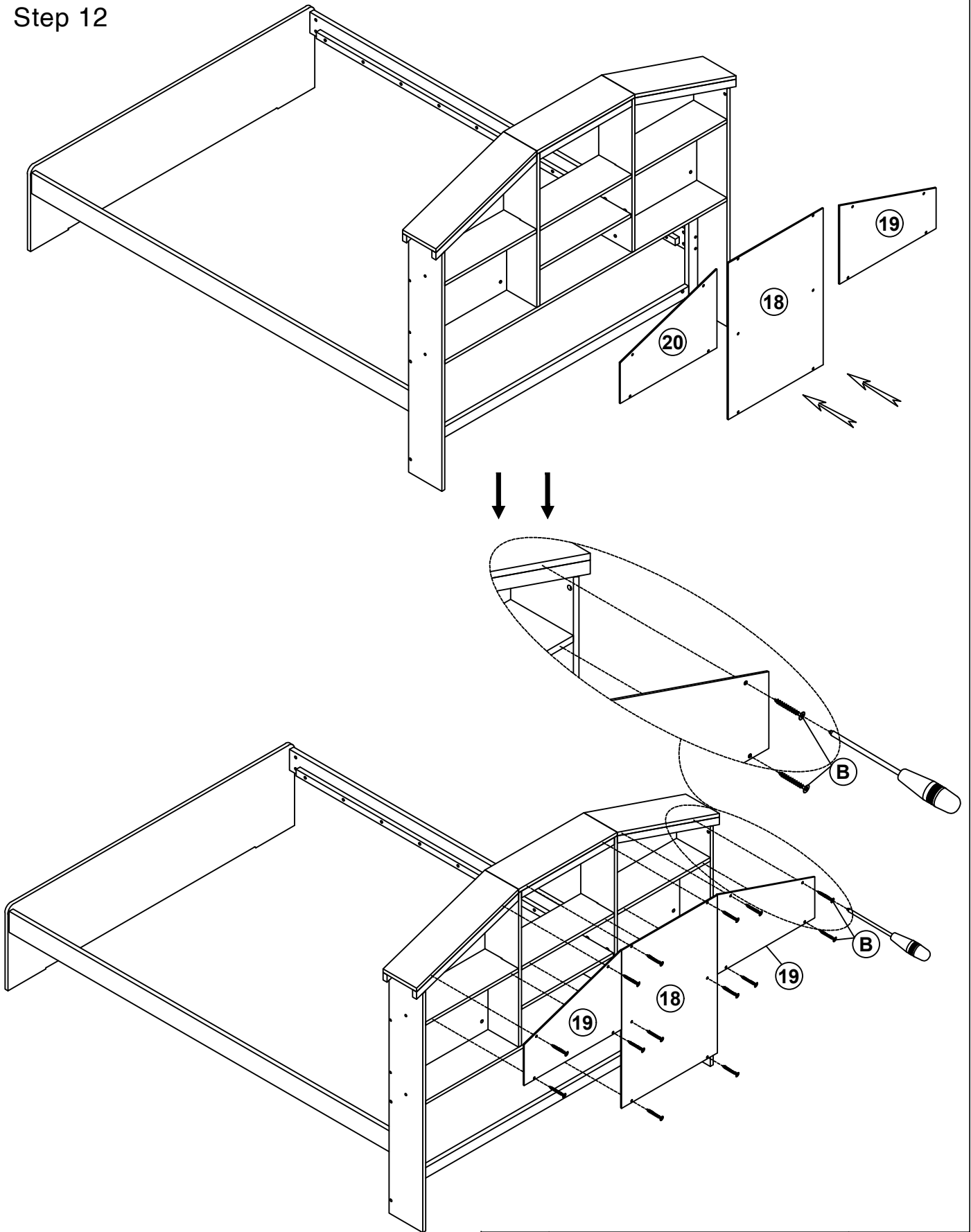
View from the left



K	4x58		1PC	H	1/4x40		12PCS
----------	------	---	-----	----------	--------	---	-------

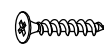
ASSEMBLY INSTRUCTIONS

Step 12



B

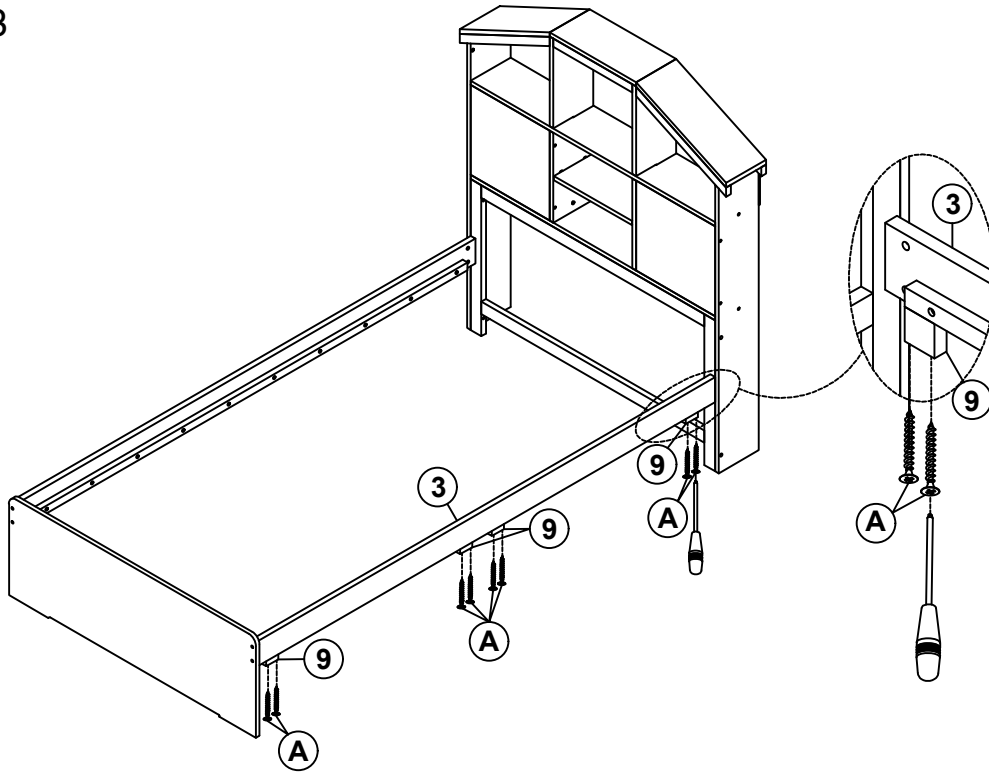
Ø3.5x12



14PCS

ASSEMBLY INSTRUCTIONS

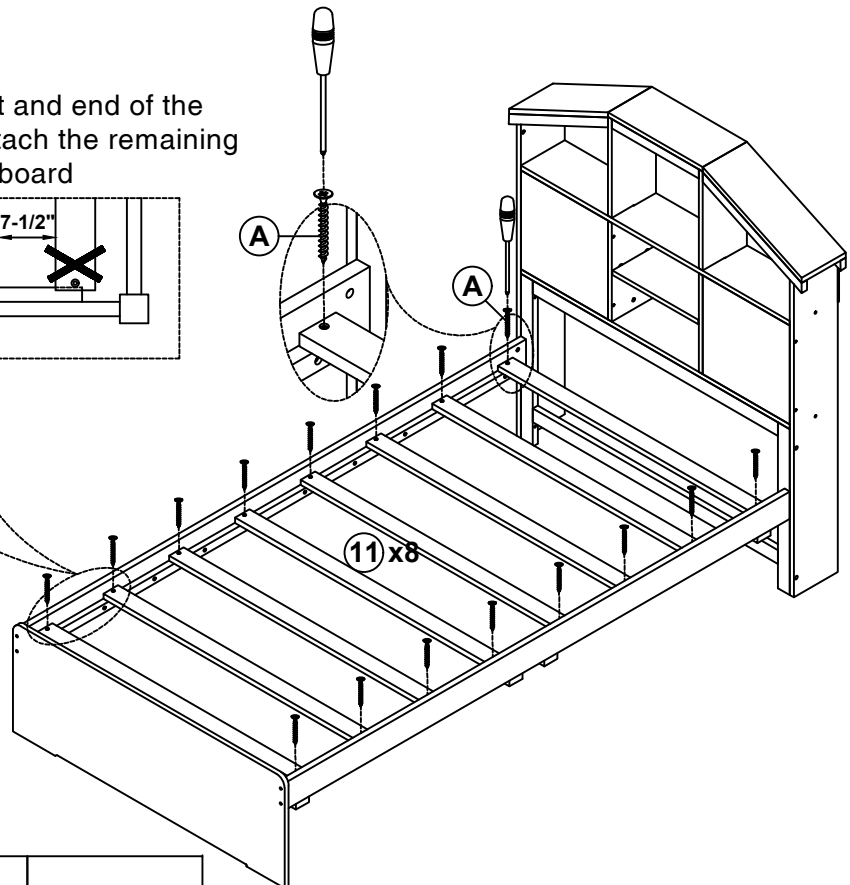
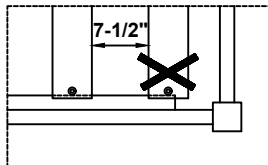
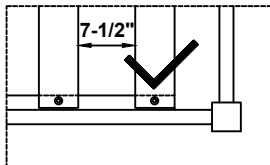
Step 13



A	Ø4x30		8PCS
----------	-------	--	------

Step 14

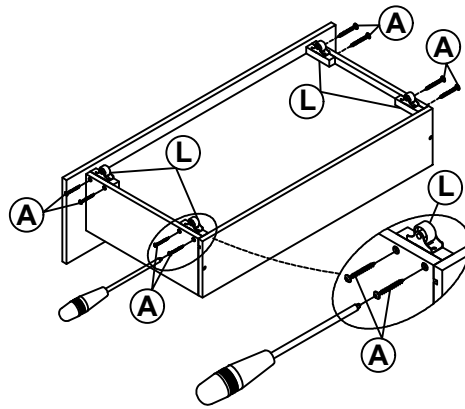
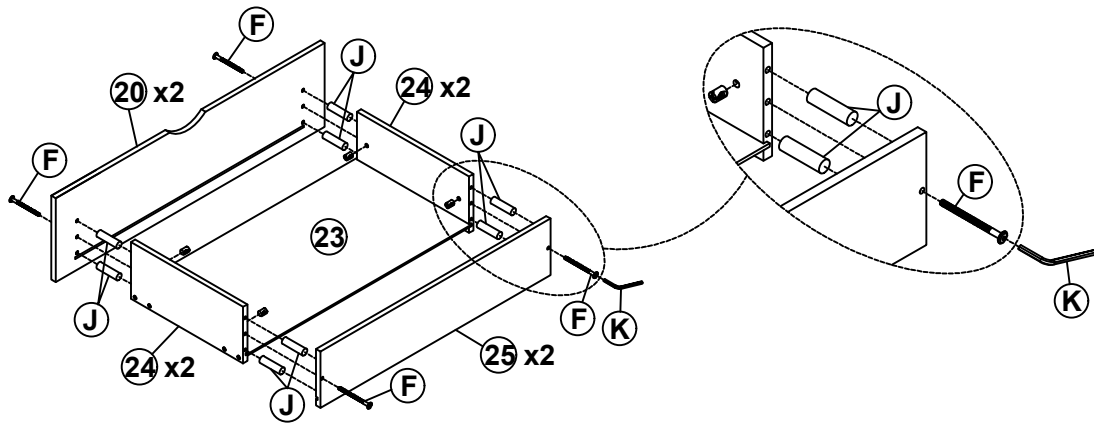
First attach 2pcs part 11 to the front and end of the frame between headboard. Then attach the remaining part 11 equidistantly between headboard

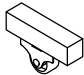







A	Ø4x30		16PCS
----------	-------	---	-------

ASSEMBLY INSTRUCTIONS

Step 15



				L		8PCS
A	Ø4x30		16PCS	K	4x58	 1PC
J	Ø8x30		16PCS	F	1/4x60	  8PCS

ASSEMBLY INSTRUCTIONS

Step 16

