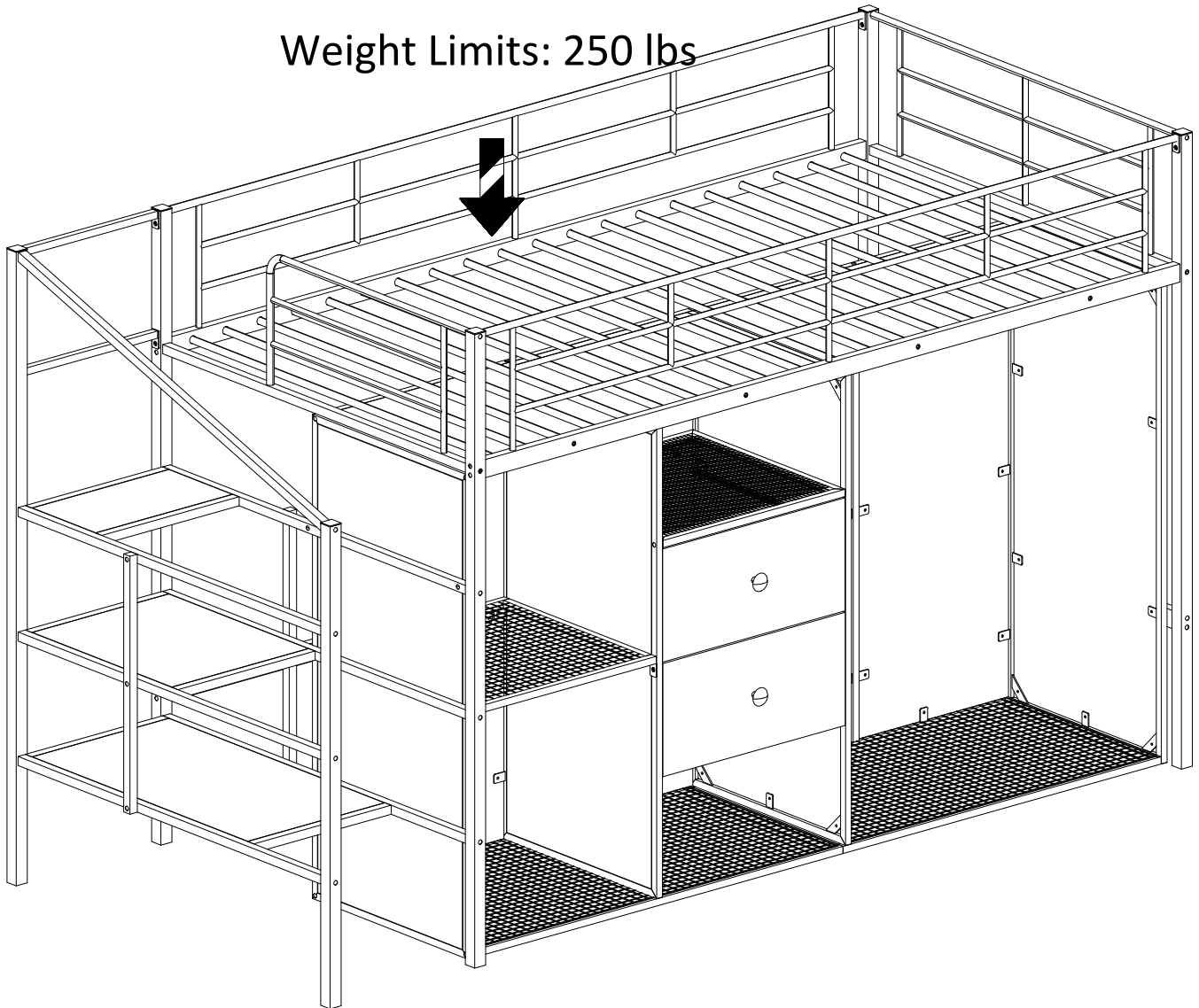


ASSEMBLY INSTRUCTIONS

SKU CODE: MF313336/MF313337

Weight Limits: 250 lbs





SAFETY WARNING



1. This bed is designed for use only mattress (es) meeting the following specifications on the upper bunk:

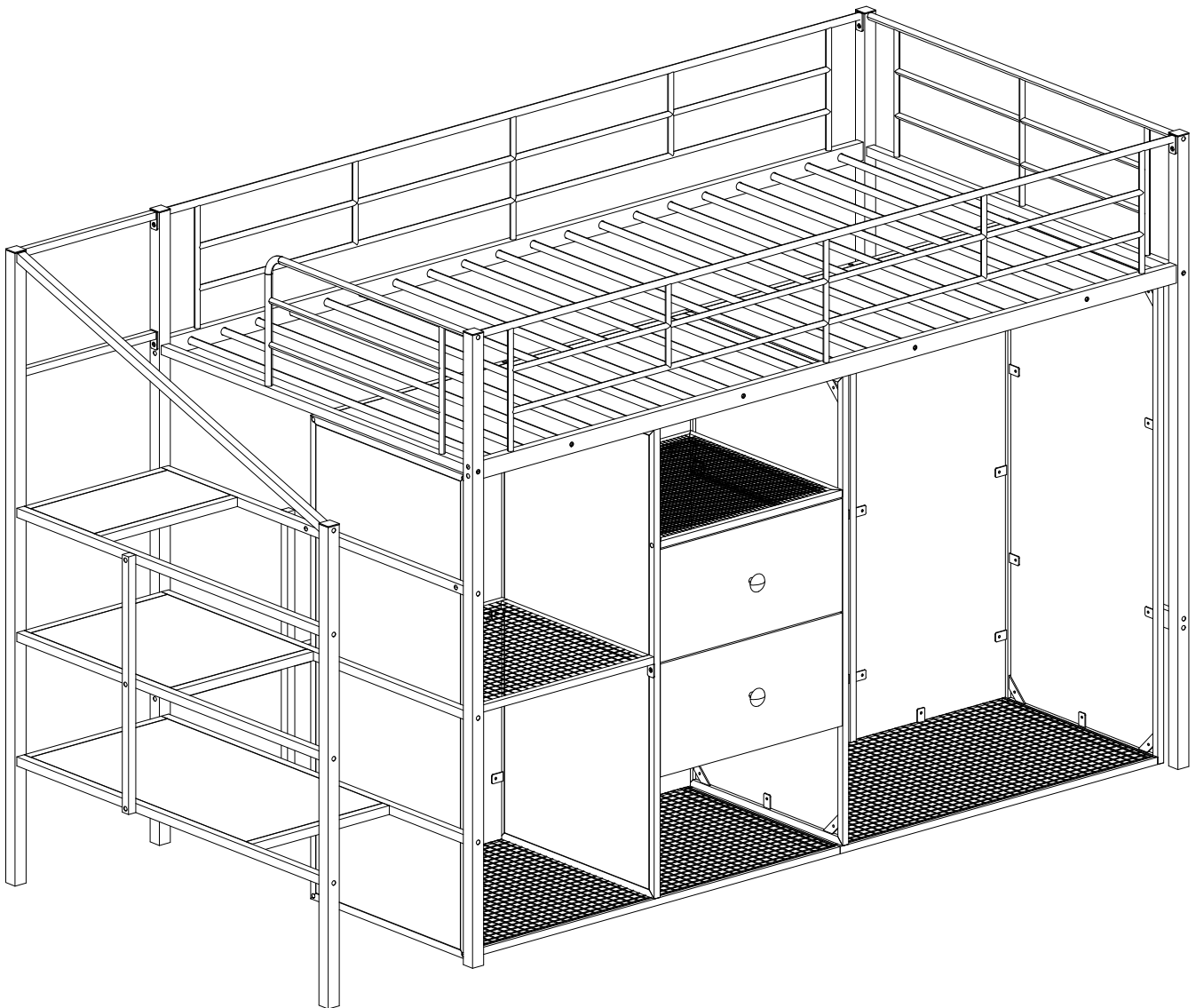
Upper bunk

Bed type	Length	Width	Thickness
Twin Standard	74" - 75"	38 ½"	6" max

2. Replacement parts, including additional guardrails, maybe obtained from any of our (GIGACLOUD TECHNOLOGY (USA) INC. 18961 ARENTH AVENUE CITY OF INDUSTRY, CA, 91748) dealers
3. Follow the information on the warnings appearing on the upper bunk bed end structure and on the carton. Do not remove warning label from bed.
4. Always use the recommended size mattresses or mattress supports, or both, to help prevent the likelihood of entrapment or falls.
5. Surface of mattress must be at least 5" (127mm) below the upper edge of guardrails.
6. Do not allow children under 6 years of age to use the upper bunk.
7. Periodically check and ensure that the guardrail, ladder, and other components are in their proper position, free from damage, and that all connectors are tight.
8. Do not allow horseplay on or under the bed and prohibit jumping on the bed.
9. Always use the ladder for entering and leaving the upper bunk.
10. Do not use substitute part. Contact the manufacture or dealer for replacement part.
11. Use of a night light may provide added safety precaution for a child using the upper bunk.
12. Always use guardrails on both long sides of the upper bunk. If the bunk bed will be placed next to the wall, the guardrail that runs the full length of the bed should be placed against the wall to prevent entrapment between the bed and wall.
13. The use of water or sleep flotation mattresses is prohibited.
14. STRANGULATION HAZARD - Never attach or hang items to any part of the bunk bed that are not designed for use with the bed; for example, but not limited to, hook, belts and jump ropes.
15. Keep these instruction for future reference.
16. Prohibit more than one person on upper bunk
17. We recommend assembling your bunk bed on the shipping carton to protect your floor or carpet.
18. Be certain all staples are out of the box before beginning assembly on the shipping carton.

ASSEMBLY INSTRUCTIONS

LOFT BED WITH SHELF



Thank you for purchasing this quality product. Be sure to check all packing material carefully for small parts which may have come loose inside the carton during shipment. Separate, identify and count all parts and hardware.

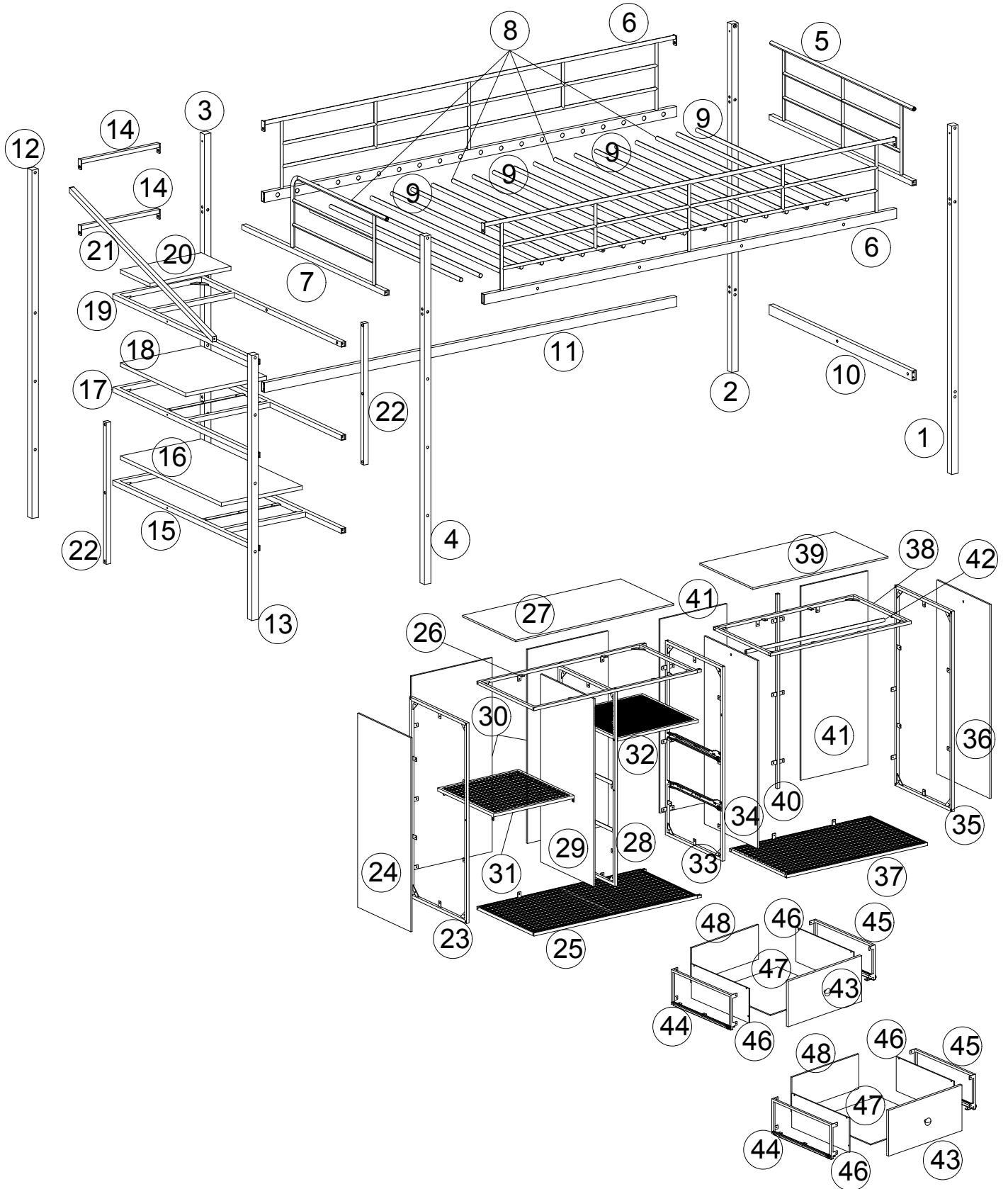
Compare with the parts list to be sure all parts are present.

"DO NOT TIGHTEN SCREWS UNTIL COMPLETELY ASSEMBLED"





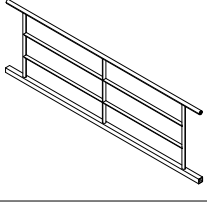
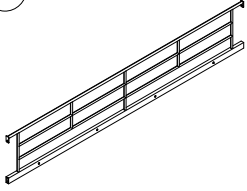
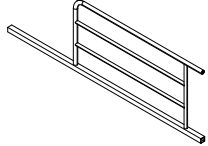


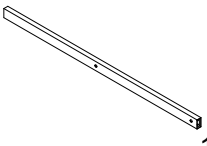
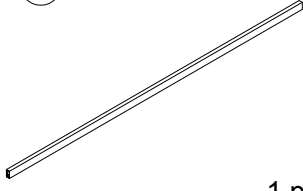


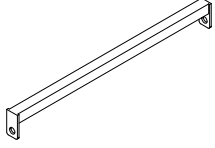
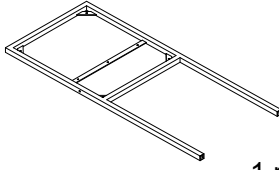

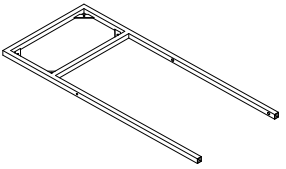

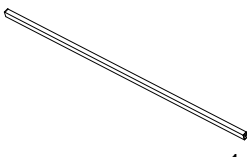



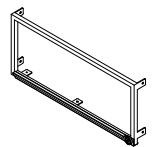
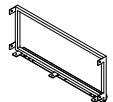


Detail View

LOFT BED WITH SHELF

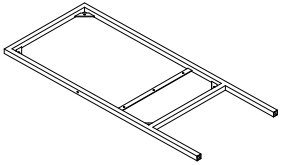


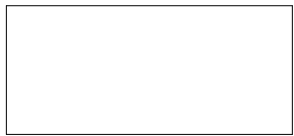
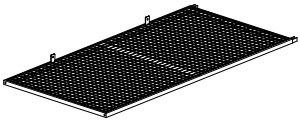
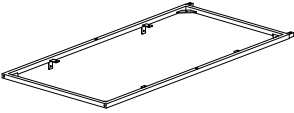


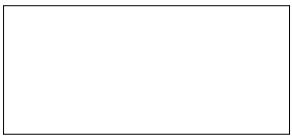
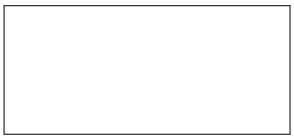

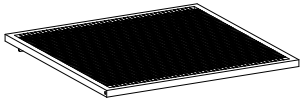




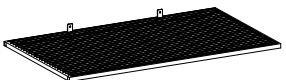
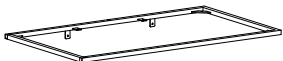



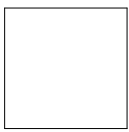
IMPORTANT:
PLEASE READ INSTRUCTION BEFORE STARTING THE ASSEMBLY



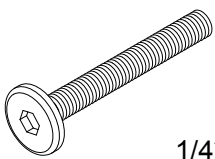
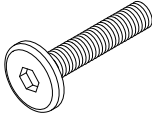
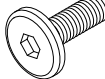
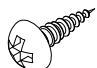
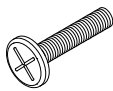
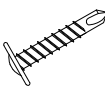
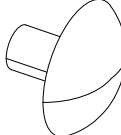

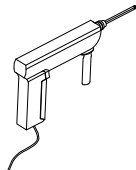
PART LIST MF313336

<p>① Vertical bar</p>  <p>1 pc</p>	<p>② Vertical bar</p>  <p>1 pc</p>	<p>③ Vertical bar</p>  <p>1 pc</p>	<p>④ Vertical bar</p>  <p>1 pc</p>
<p>⑤ Guard Frame</p>  <p>1 pc</p>	<p>⑥ Guard Frame</p>  <p>2 pcs</p>	<p>⑦ Guard Frame</p>  <p>1 pc</p>	<p>⑧ Slats</p>  <p>4 pcs</p>
<p>⑨ Slats</p>  <p>16 pcs</p>	<p>⑩ Horizontal bar</p>  <p>1 pc</p>	<p>⑪ Horizontal bar</p>  <p>1 pc</p>	<p>⑫ Vertical bar</p>  <p>1 pc</p>
<p>⑬ Vertical bar</p>  <p>1 pc</p>	<p>⑭ Horizontal bar</p>  <p>2 pcs</p>	<p>⑰ Stair Frame</p>  <p>1 pc</p>	<p>⑱ Plank</p>  <p>1 pc</p>
<p>⑲ Stair Frame</p>  <p>1 pc</p>	<p>⑳ Plank</p>  <p>1 pc</p>	<p>㉑ Horizontal bar</p>  <p>1 pc</p>	<p>㉒ Vertical bar</p>  <p>2 pcs</p>
<p>④② Hanging Bar</p>  <p>1 pc</p>	<p>④③ Plank</p>  <p>2 pcs</p>	<p>④④ Drawer sides</p>  <p>2 pcs</p>	<p>④⑤ Drawer sides</p>  <p>2 pcs</p>
<p>④⑥ Plank</p>  <p>4 pcs</p>	<p>④⑧ Plank</p>  <p>2 pcs</p>		

PART LIST MF313337

<p>15 Stair Frame</p>  <p>1 pc</p>	<p>16 Plank</p>  <p>1 pc</p>	<p>23 Cabinet side</p>  <p>1 pc</p>	<p>24 Plank</p>  <p>1 pc</p>
<p>25 Cabinet Bottom</p>  <p>1 pc</p>	<p>26 Cabinet top</p>  <p>1 pc</p>	<p>27 Plank</p>  <p>1 pc</p>	<p>28 Cabinet side</p>  <p>1 pc</p>
<p>29 Plank</p>  <p>1 pc</p>	<p>30 Plank</p>  <p>2 pcs</p>	<p>31 Shelf Frame</p>  <p>1 pc</p>	<p>32 Shelf Frame</p>  <p>1 pc</p>
<p>33 Cabinet side</p>  <p>1 pc</p>	<p>34 Plank</p>  <p>1 pc</p>	<p>35 Cabinet side</p>  <p>1 pc</p>	<p>36 Plank</p>  <p>1 pc</p>
<p>37 Cabinet Bottom</p>  <p>1 pc</p>	<p>38 Cabinet top</p>  <p>1 pc</p>	<p>39 Plank</p>  <p>1 pc</p>	<p>40 Vertical bar</p>  <p>1 pc</p>
<p>41 Plank</p>  <p>2 pcs</p>	<p>47 Plank</p>  <p>2 pcs</p>		

HARDWARE LIST MF313336

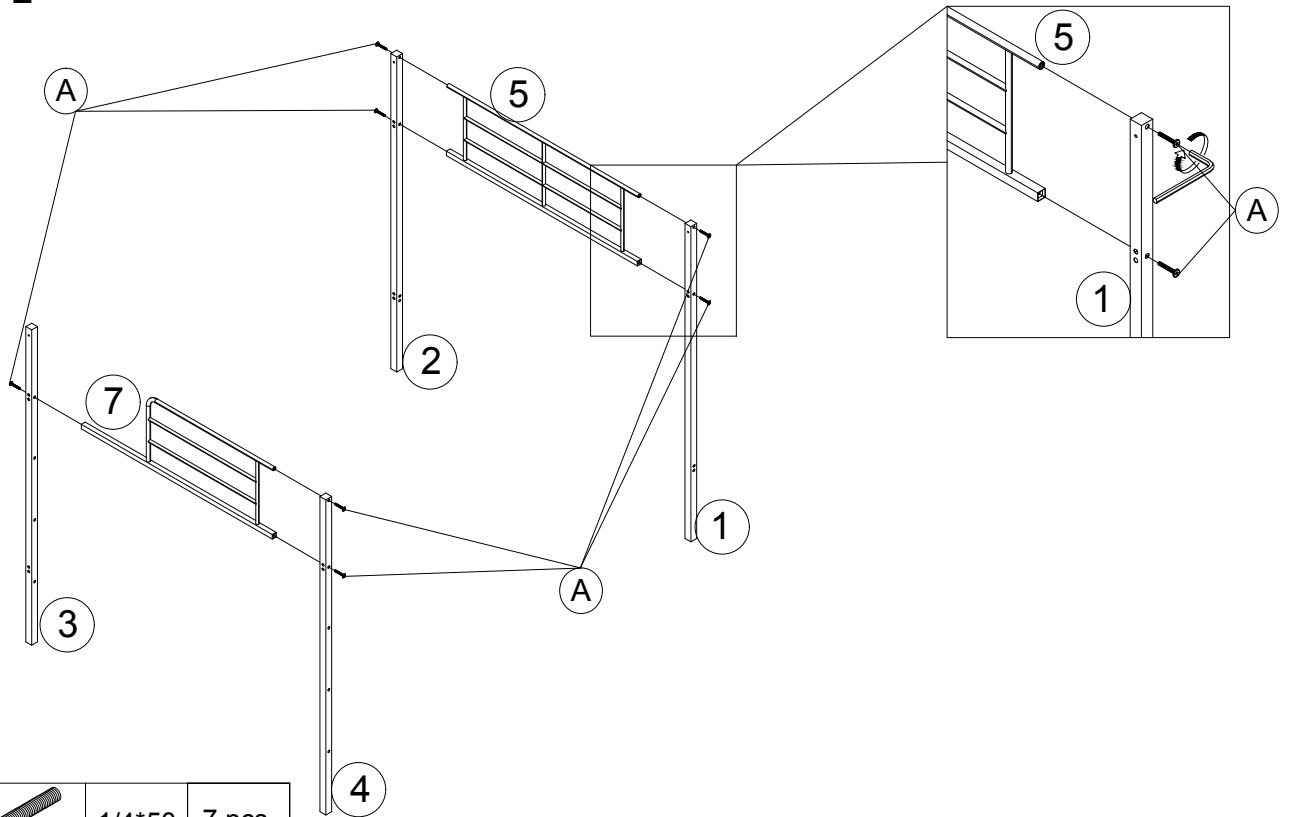
<p>A Bolts</p>  <p style="text-align: right;">1/4*50 37 pcs</p>	<p>B Bolts</p>  <p style="text-align: right;">1/4*32 32 pcs</p>	<p>C Bolts</p>  <p style="text-align: right;">1/4*18 17 pcs</p>	<p>D Screws</p>  <p style="text-align: right;">#8*10 130 pcs</p>
<p>E Bolts</p>  <p style="text-align: right;">5/32*25 2 pcs</p>	<p>F Screws</p>  <p style="text-align: right;">JPMT 4.2X20 12 pcs</p>	<p>G cabinet knob</p>  <p style="text-align: right;">2 pcs</p>	<p>H Allen Key</p>  <p style="text-align: right;">4*59 1 pc</p>
<p>I Electric screwdriver</p>  <p style="text-align: center;">(Not included)</p>			

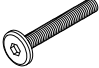
LOFT BED WITH SHELF

ASSEMBLY INSTRUCTIONS

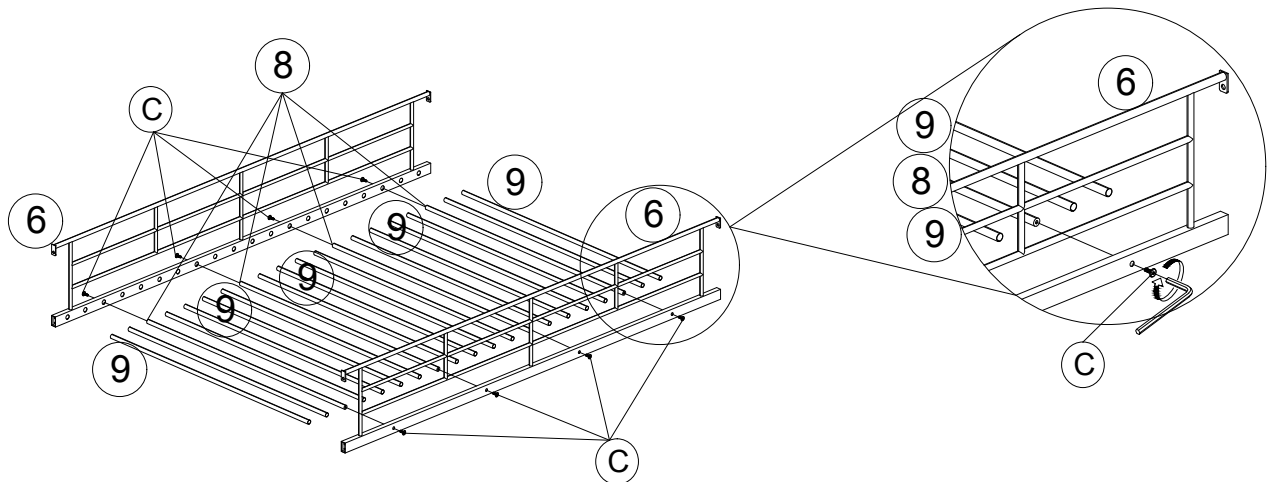
ITEM: MF313336/MF313337


STEP 1



A		1/4*50	7 pcs
---	---	--------	-------

STEP 2



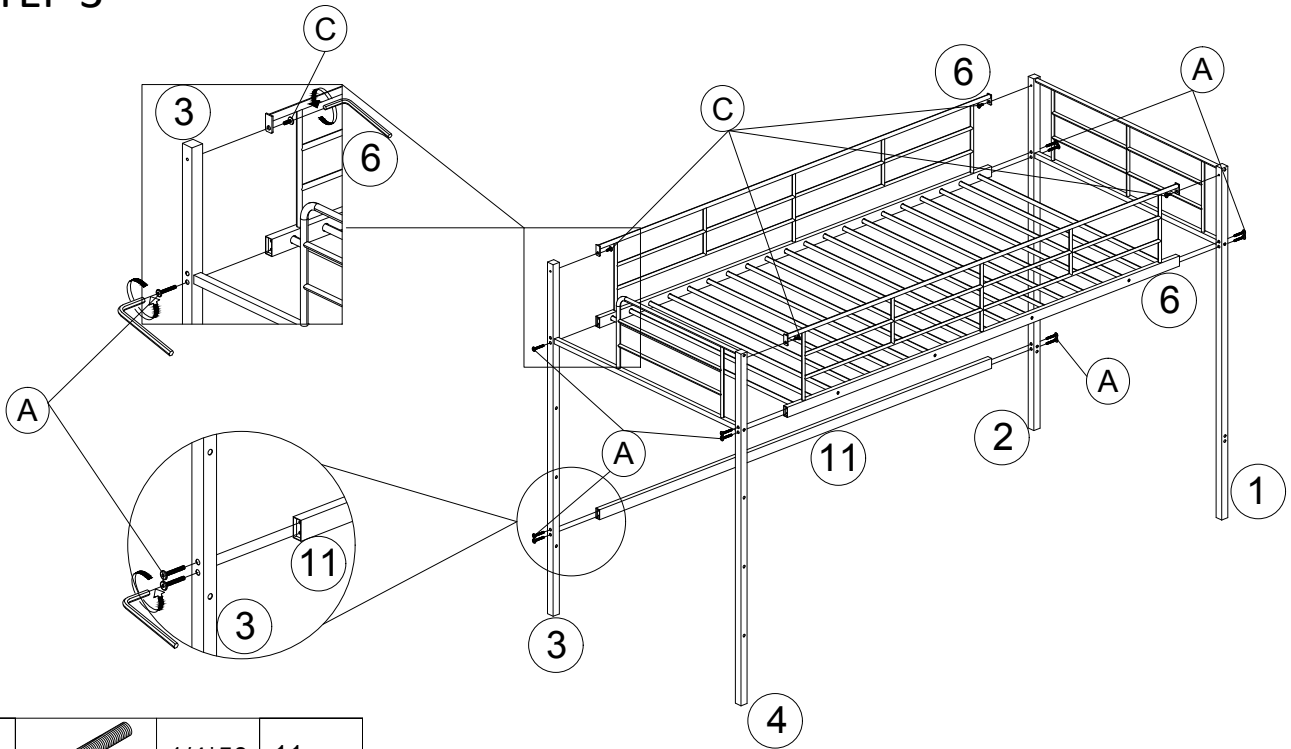
C		1/4*18	8 pcs
---	---	--------	-------

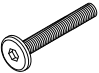

LOFT BED WITH SHELF

ASSEMBLY INSTRUCTIONS

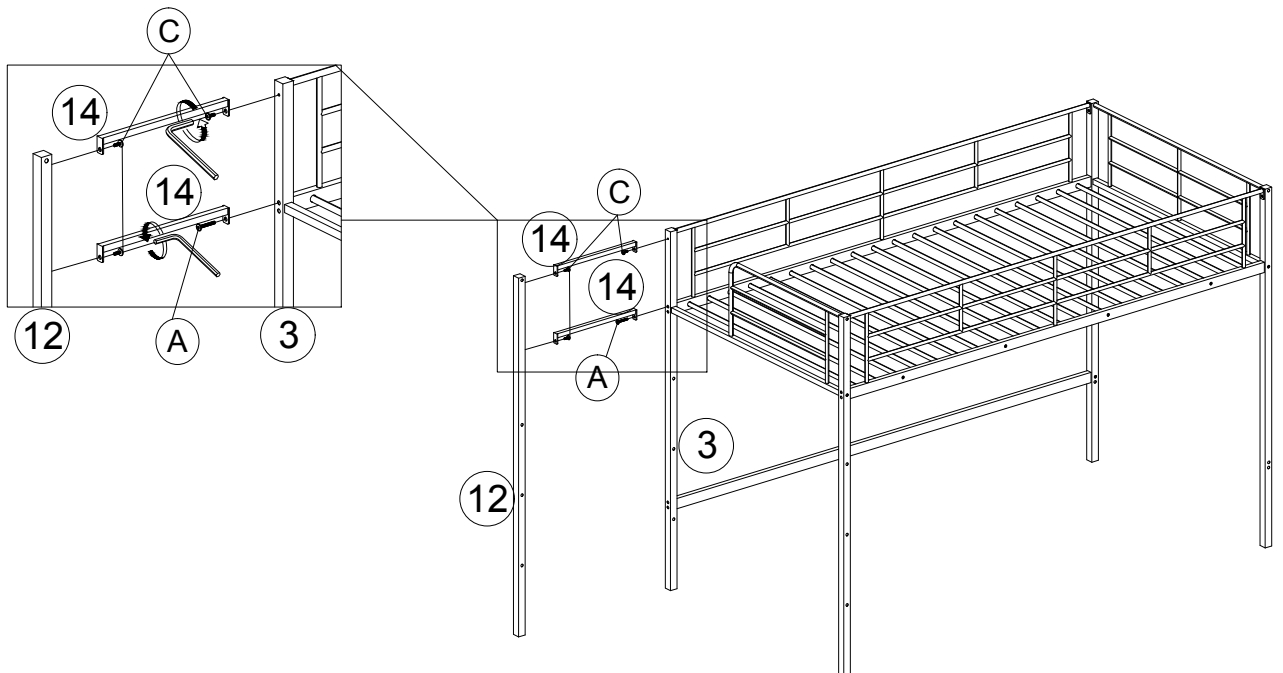
ITEM: MF313336/MF313337

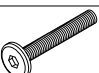

STEP 3



A		1/4*50	11 pcs
C		1/4*18	4 pcs

STEP 4



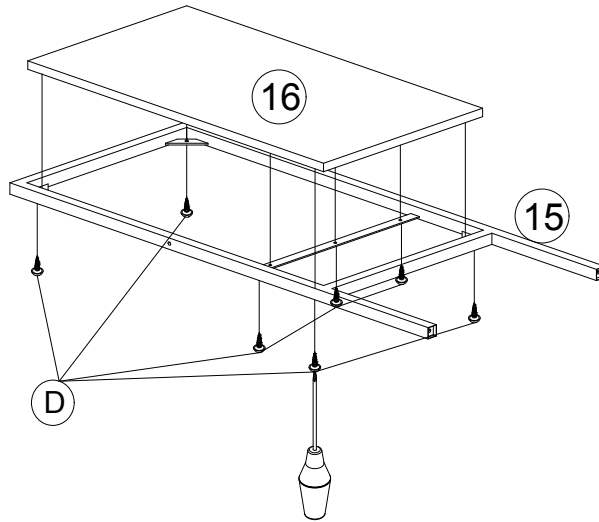
A		1/4*50	1 pc
C		1/4*18	3 pcs


LOFT BED WITH SHELF

ASSEMBLY INSTRUCTIONS

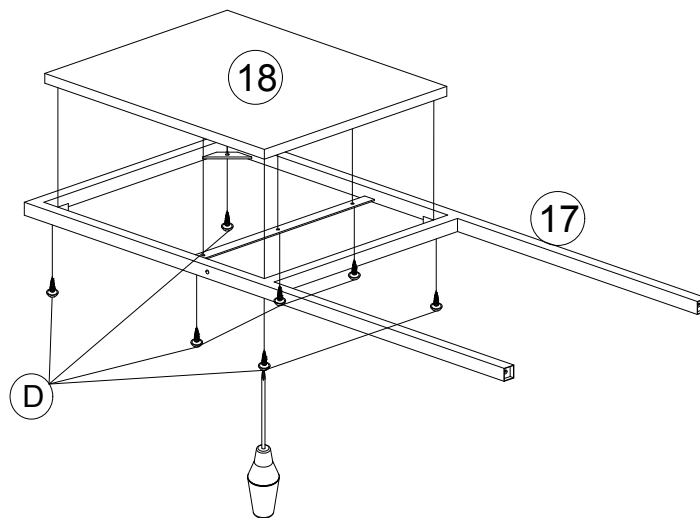
ITEM: MF313336/MF313337


STEP 5



(D)		#8*10	7 pcs
-----	---	-------	-------

STEP 6



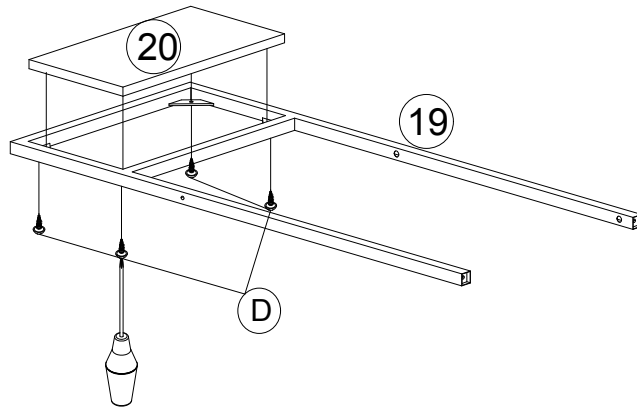
(D)		#8*10	7 pcs
-----	---	-------	-------


LOFT BED WITH SHELF

ASSEMBLY INSTRUCTIONS

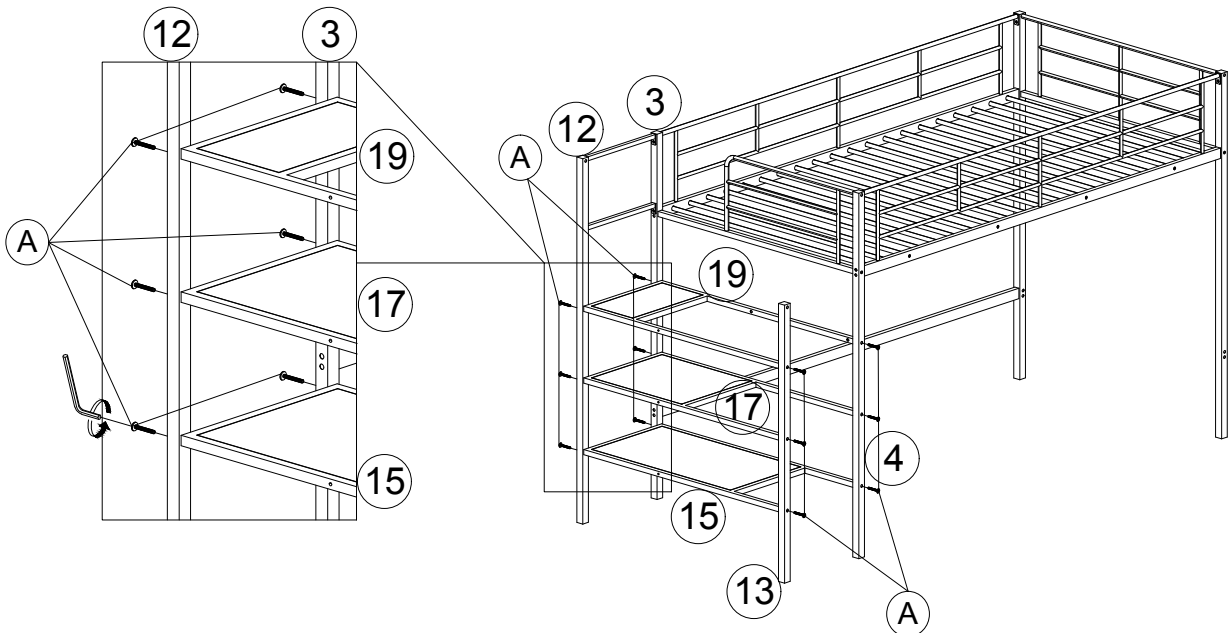
ITEM: MF313336/MF313337

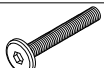
STEP 7



(D)		#8*10	4 pc
-----	---	-------	------

STEP 8



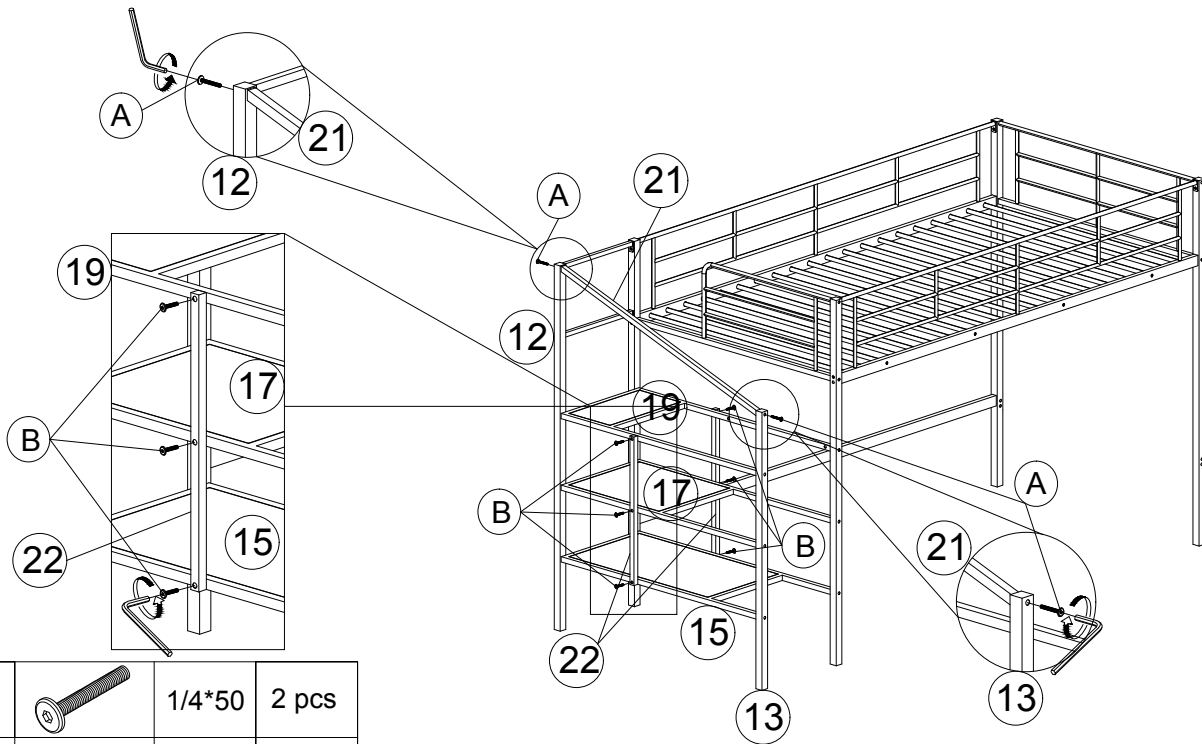
(A)		1/4*50	12 pcs
-----	---	--------	--------

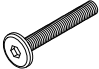

LOFT BED WITH SHELF

ASSEMBLY INSTRUCTIONS

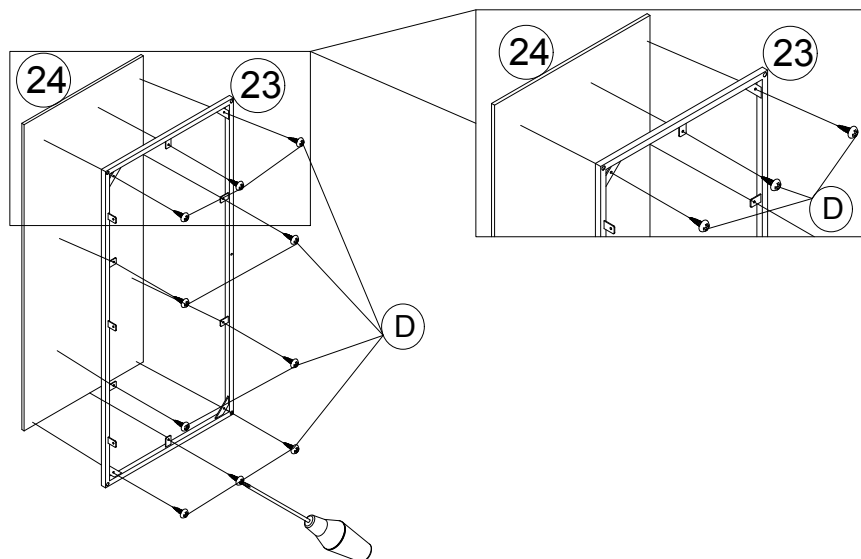
ITEM: MF313336/MF313337


STEP 9



A		1/4*50	2 pcs
B		1/4*32	6 pcs

STEP 10



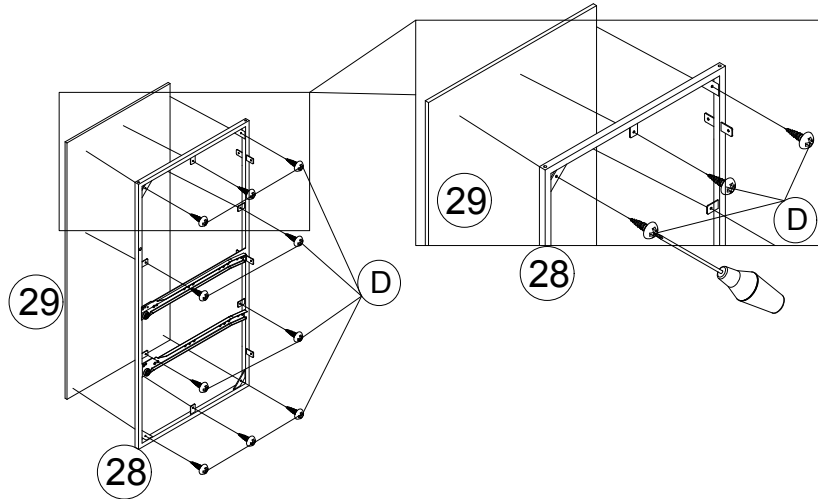
D		#8*10	10 pcs
---	---	-------	--------


LOFT BED WITH SHELF

ASSEMBLY INSTRUCTIONS

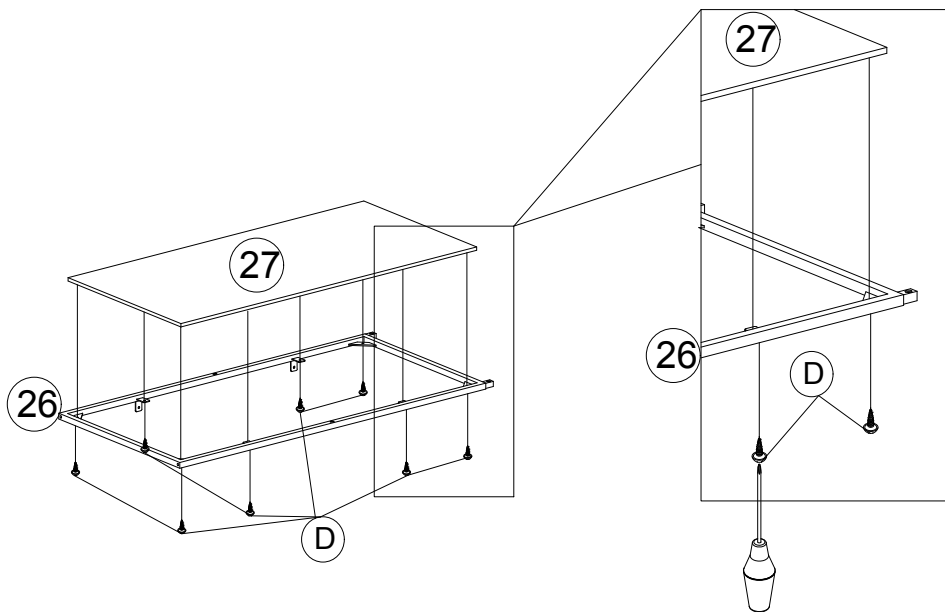
ITEM: MF313336/MF313337


STEP 11



(D)		#8*10	10 pcs
-----	---	-------	--------

STEP 12



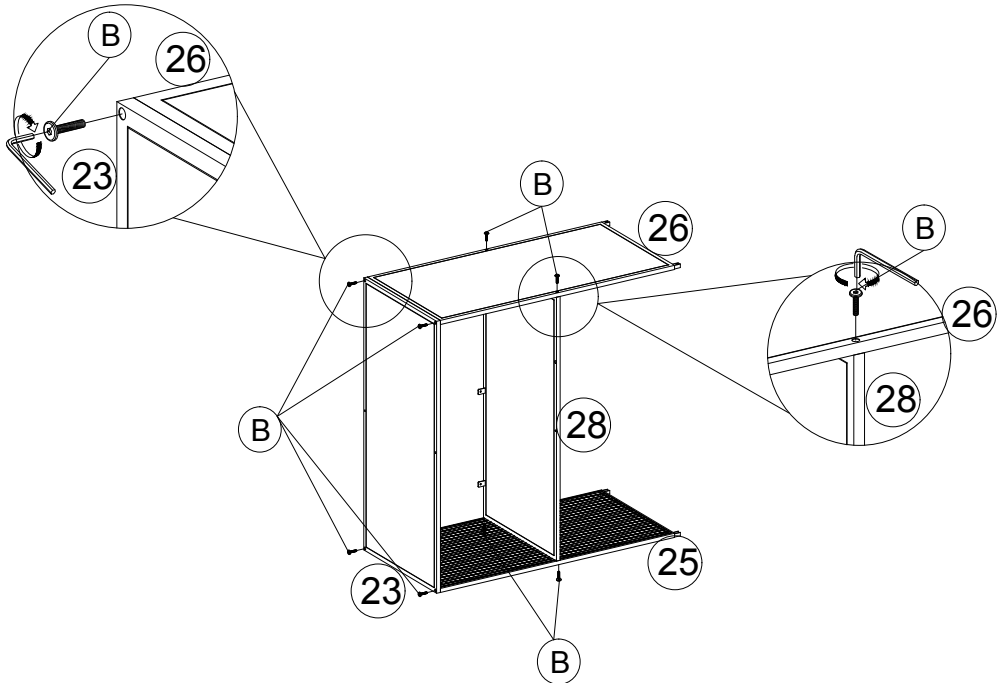
(D)		#8*10	8 pcs
-----	---	-------	-------

LOFT BED WITH SHELF

ASSEMBLY INSTRUCTIONS

ITEM: MF313336/MF313337

STEP 13



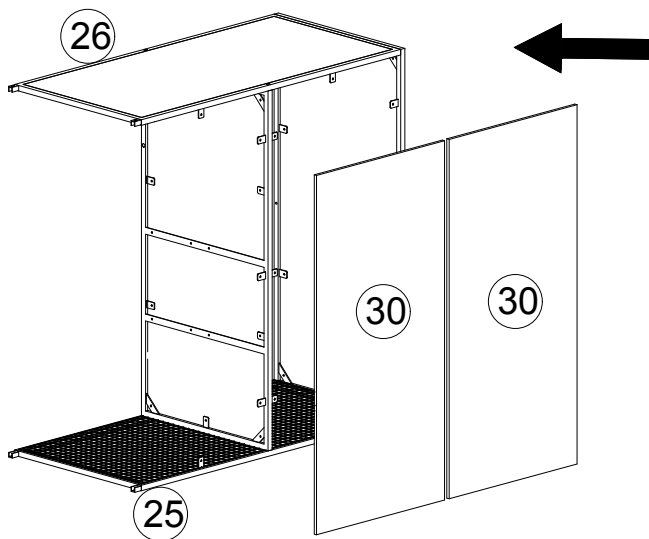
(B)



1/4*32

8 pcs

STEP 14

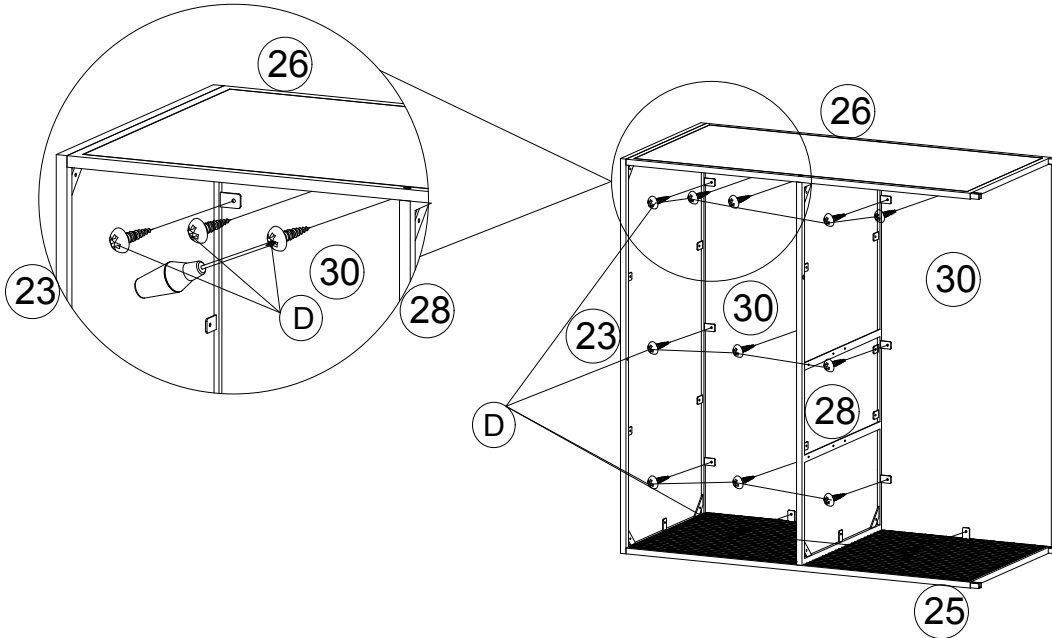



LOFT BED WITH SHELF

ASSEMBLY INSTRUCTIONS

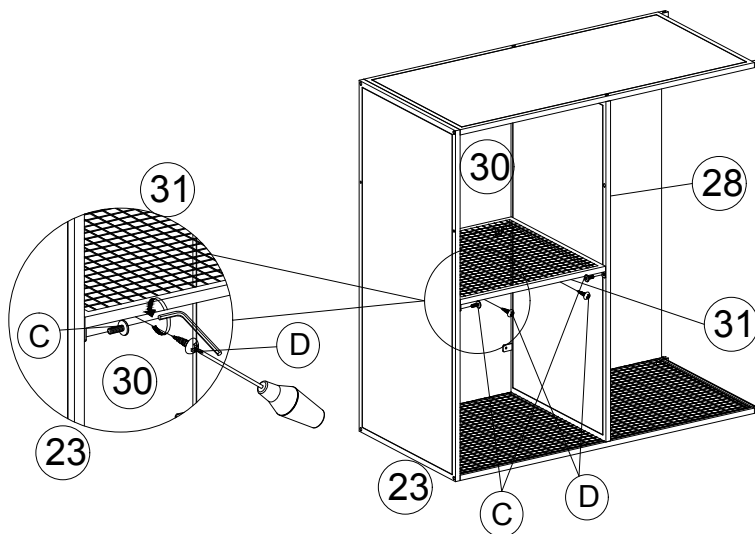
ITEM: MF313336/MF313337



STEP 15



D		#8*10	13 pcs
---	---	-------	--------

STEP 16



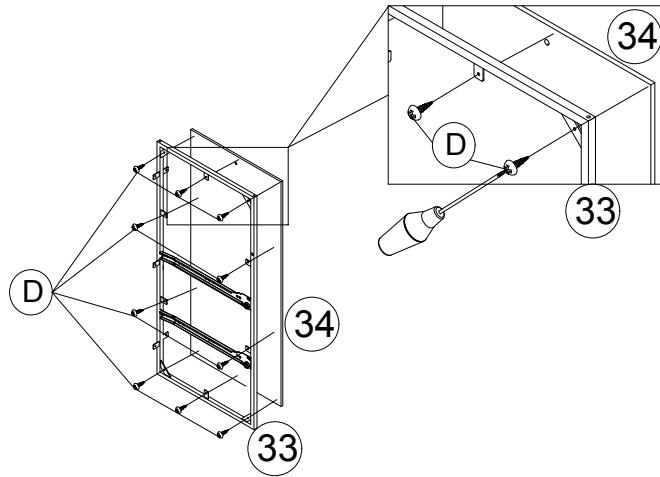
C		1/4*18	2 pcs
D		#8*10	2 pcs


LOFT BED WITH SHELF

ASSEMBLY INSTRUCTIONS

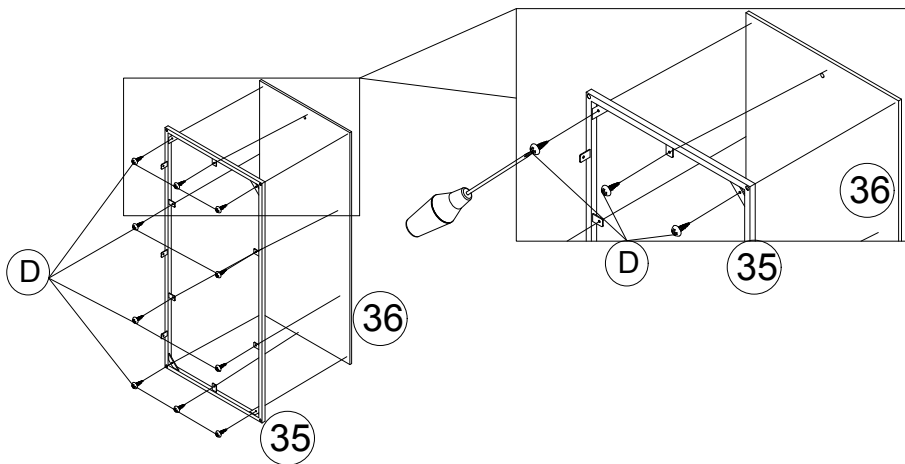
ITEM: MF313336/MF313337

STEP 17



D		#8*10	10 pcs
---	---	-------	--------

STEP 18



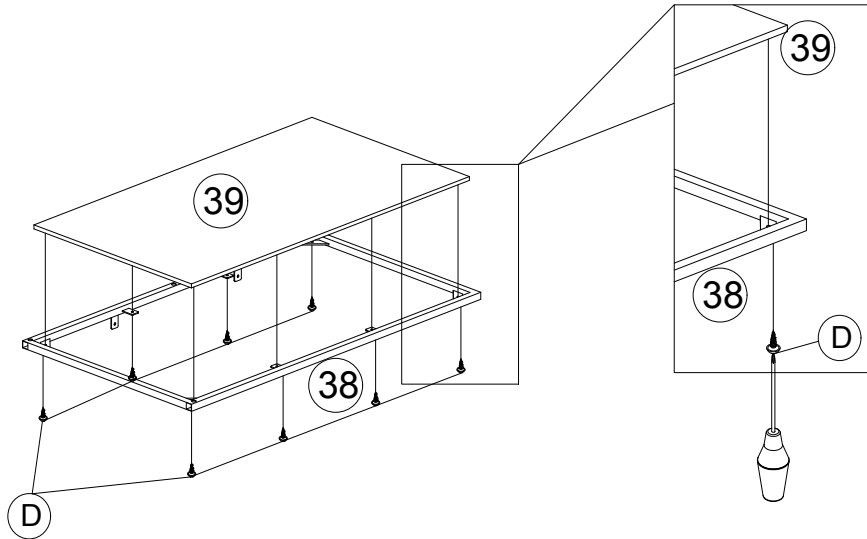
D		#8*10	10 pcs
---	---	-------	--------


LOFT BED WITH SHELF

ASSEMBLY INSTRUCTIONS

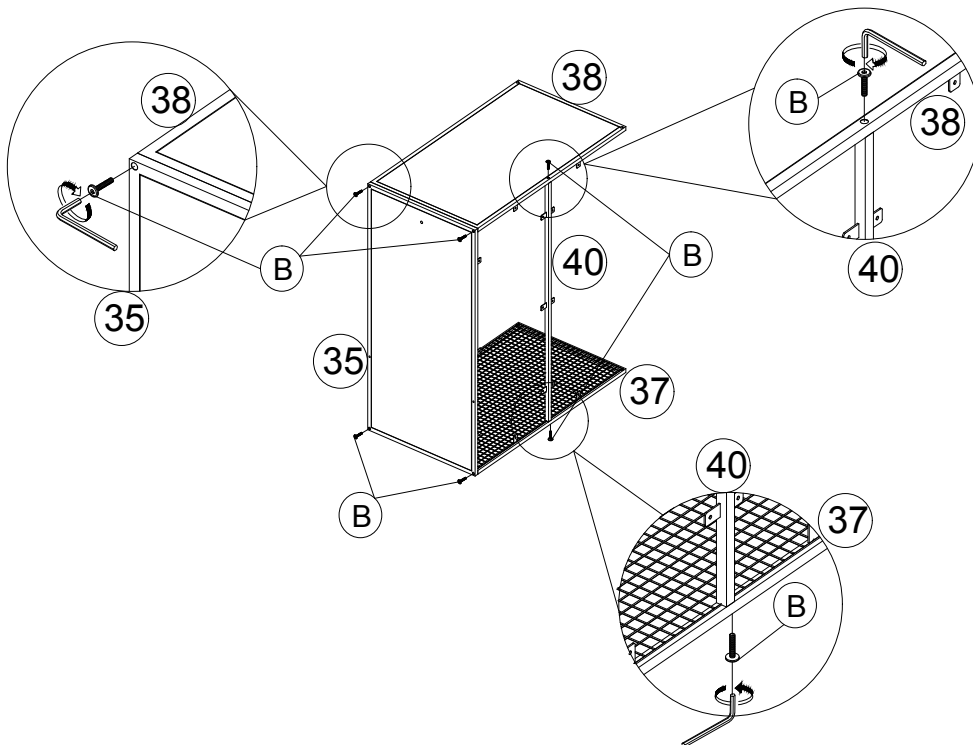
ITEM: MF313336/MF313337


STEP 19



(D)		#8*10	8 pcs
-----	---	-------	-------

STEP 20

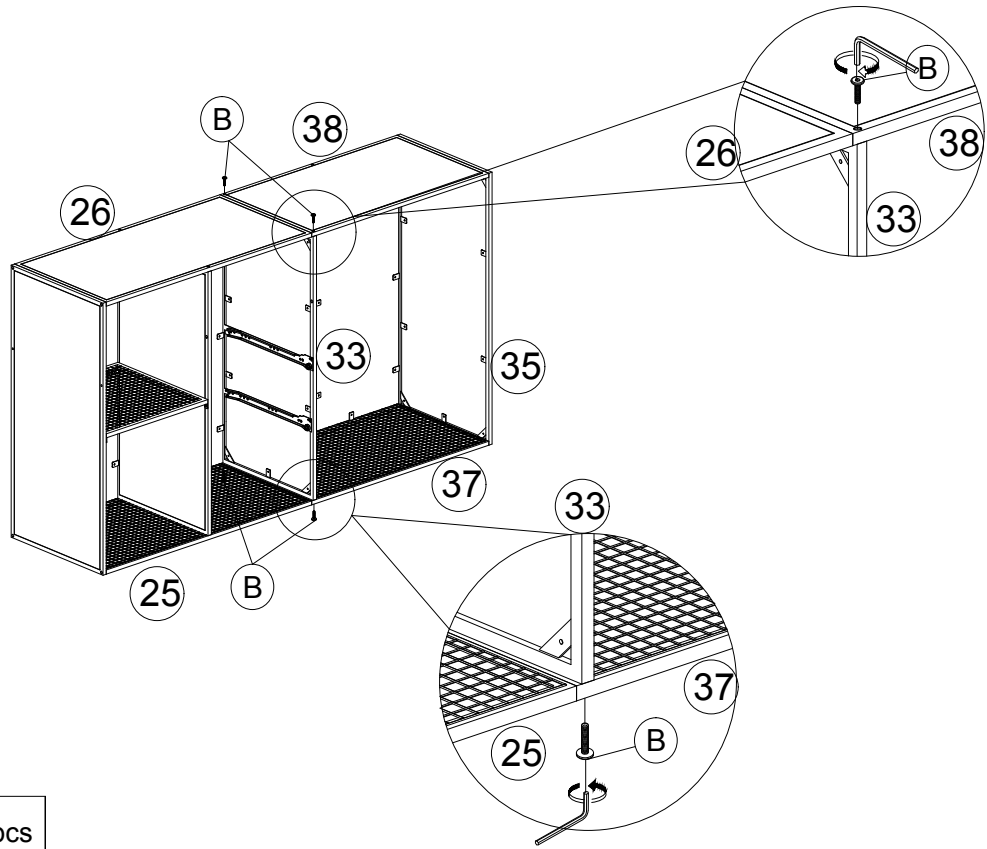



(B)		1/4*32	6 pcs
-----	---	--------	-------

LOFT BED WITH SHELF ASSEMBLY INSTRUCTIONS

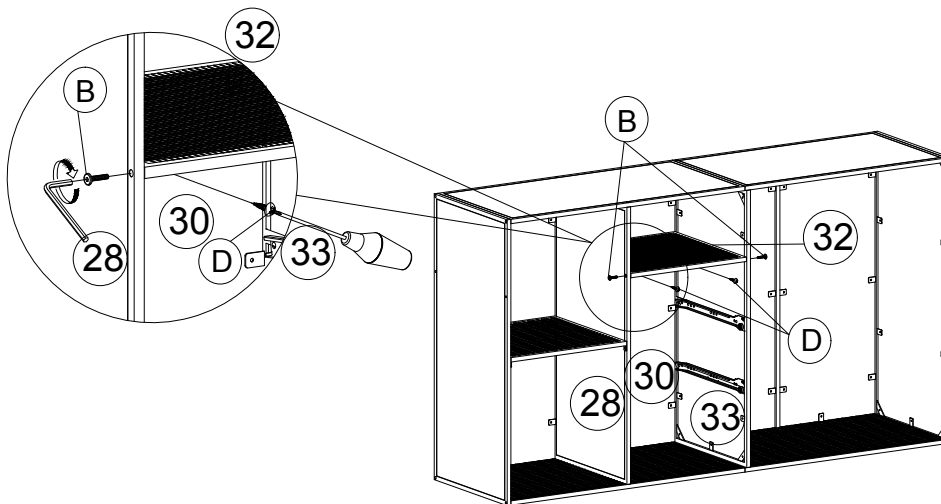
ITEM: MF313336/MF313337



STEP 21



(B)		1/4*32	4 pcs
-----	---	--------	-------

STEP 22



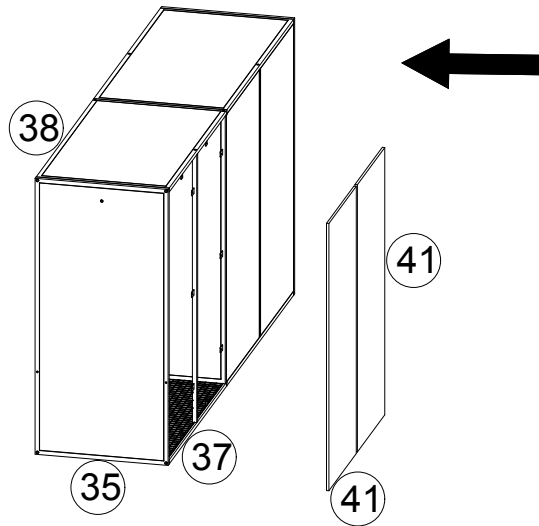
(B)		1/4*32	2 pcs
(D)		#8*10	2 pcs

LOFT BED WITH SHELF

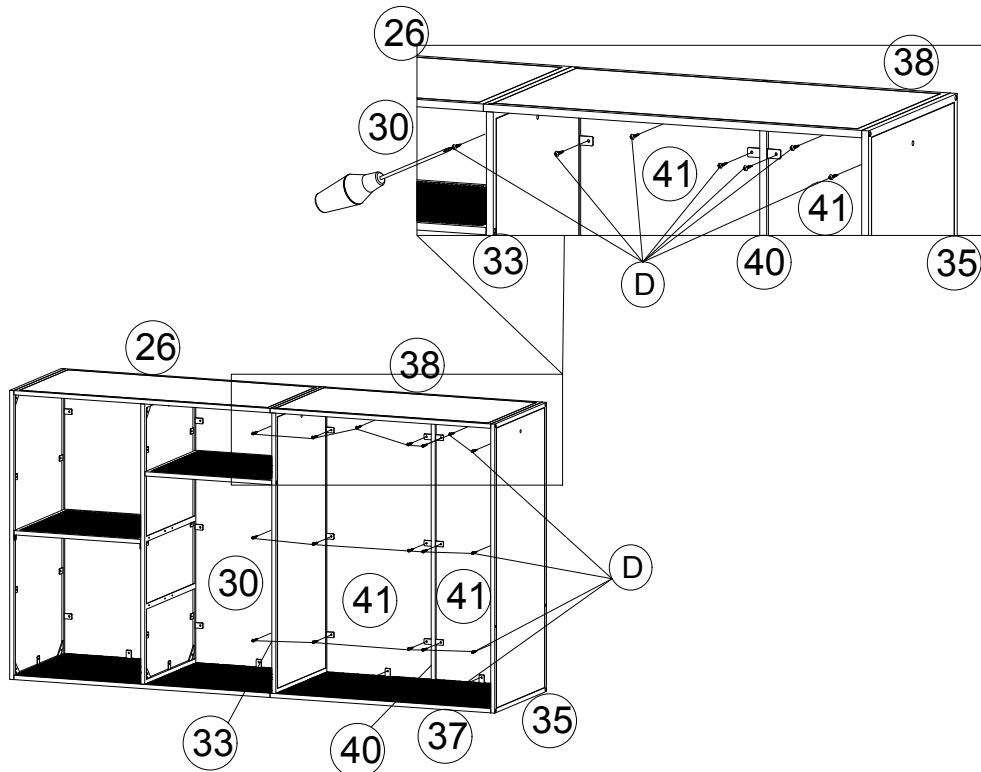
ASSEMBLY INSTRUCTIONS

ITEM: MF313336/MF313337

STEP 23



STEP 24



(D)



#8*10

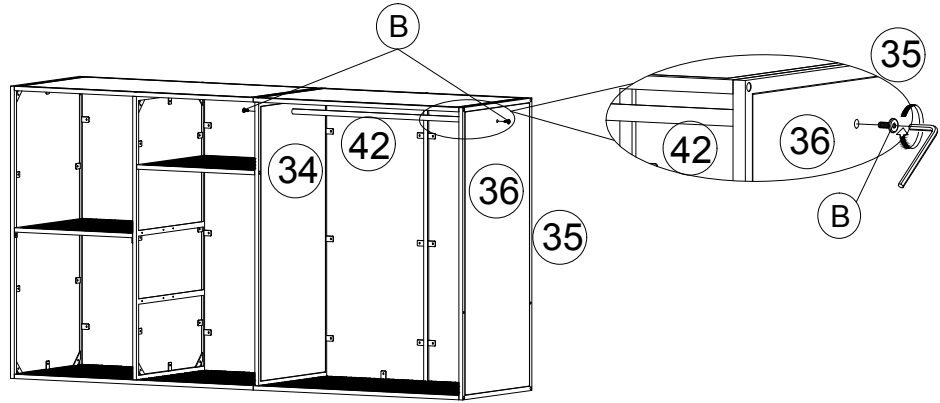
19 pcs

LOFT BED WITH SHELF

ASSEMBLY INSTRUCTIONS

ITEM: MF313336/MF313337

STEP 25



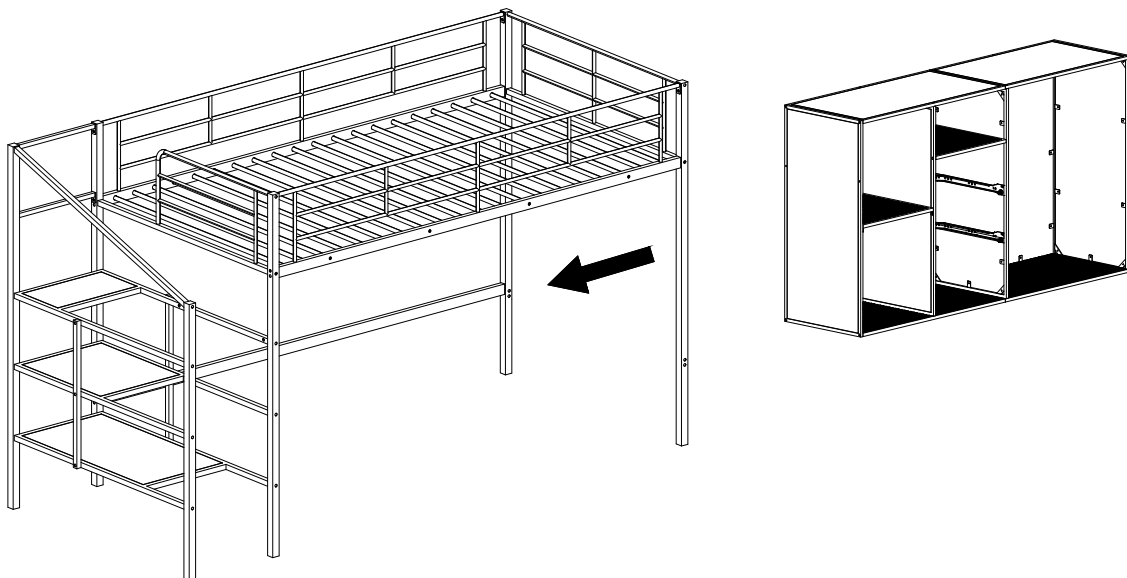
(B)



1/4*32

2 pcs

STEP 26

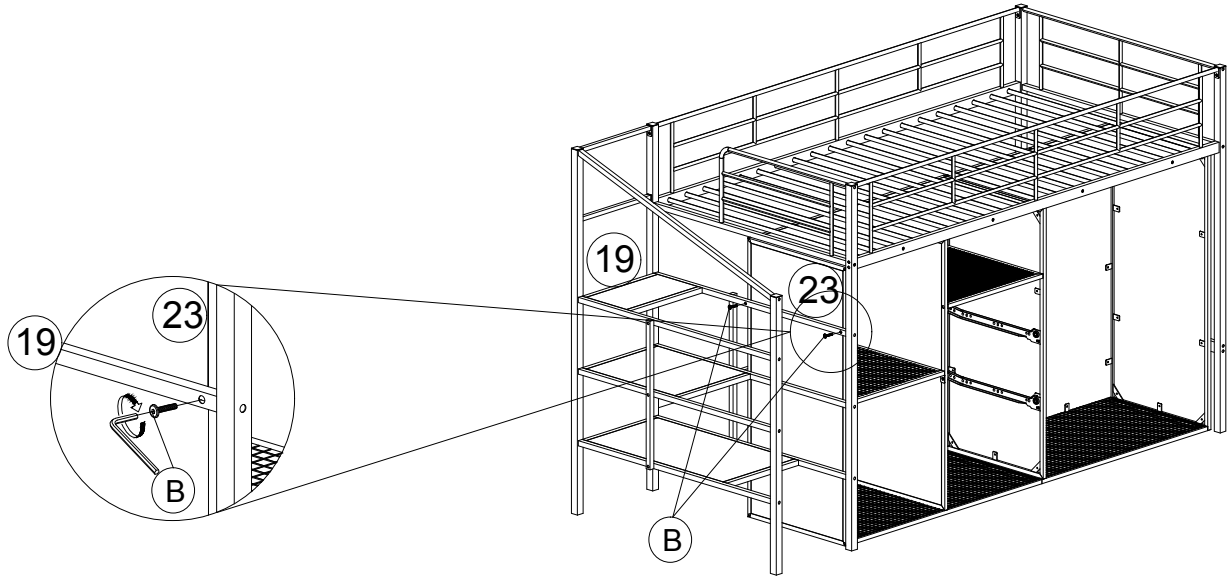



LOFT BED WITH SHELF

ASSEMBLY INSTRUCTIONS

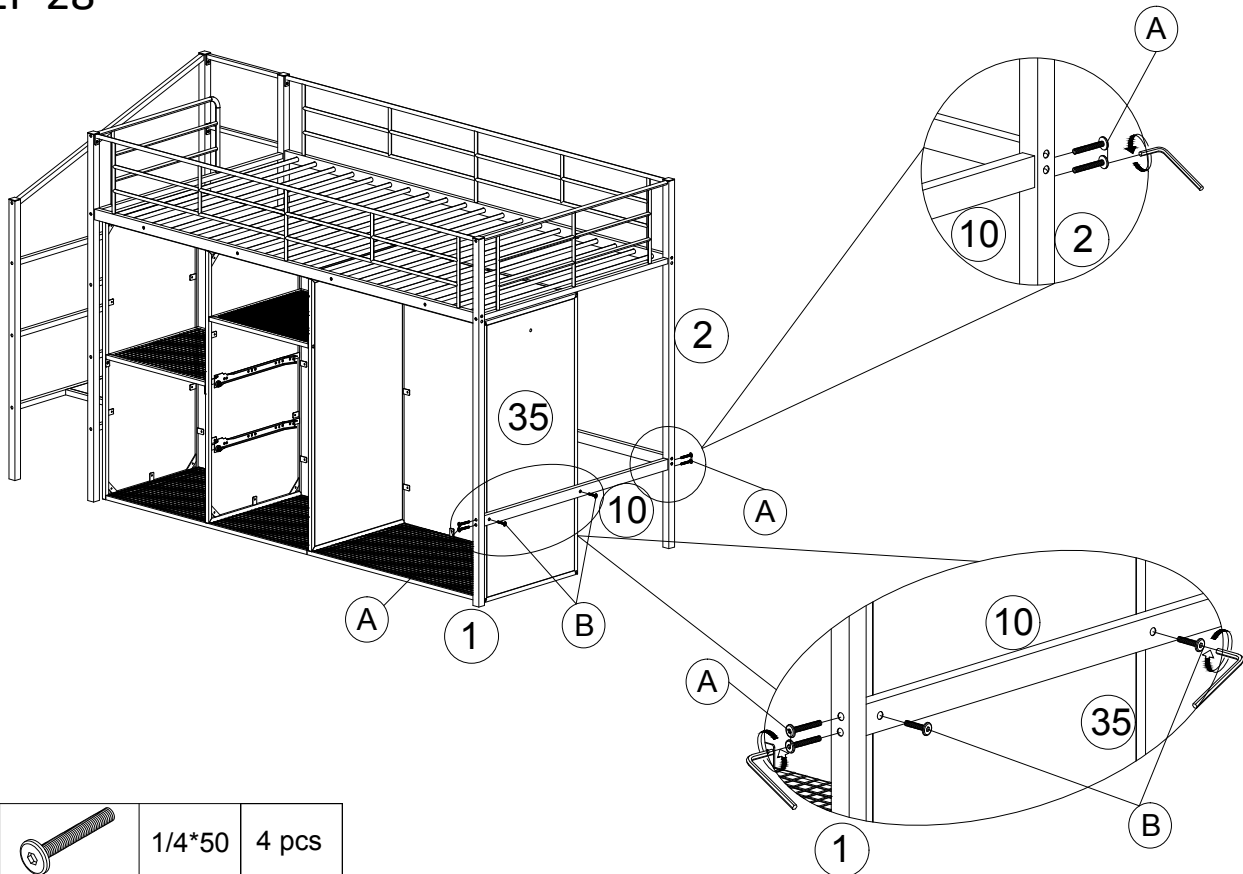
ITEM: MF313336/MF313337

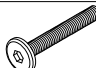

STEP 27



(B)		1/4*32	2 pcs
-----	---	--------	-------

STEP 28



(A)		1/4*50	4 pcs
(B)		1/4*32	2 pcs

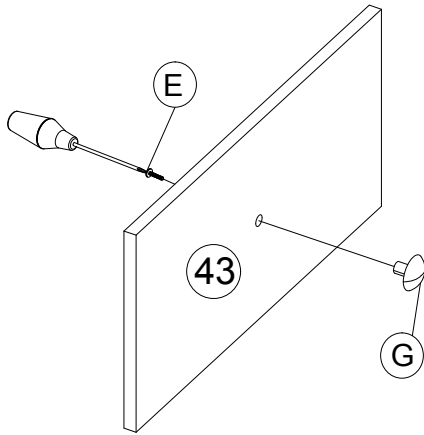
LOFT BED WITH SHELF



ASSEMBLY INSTRUCTIONS

ITEM: MF313336/MF313337

STEP 29

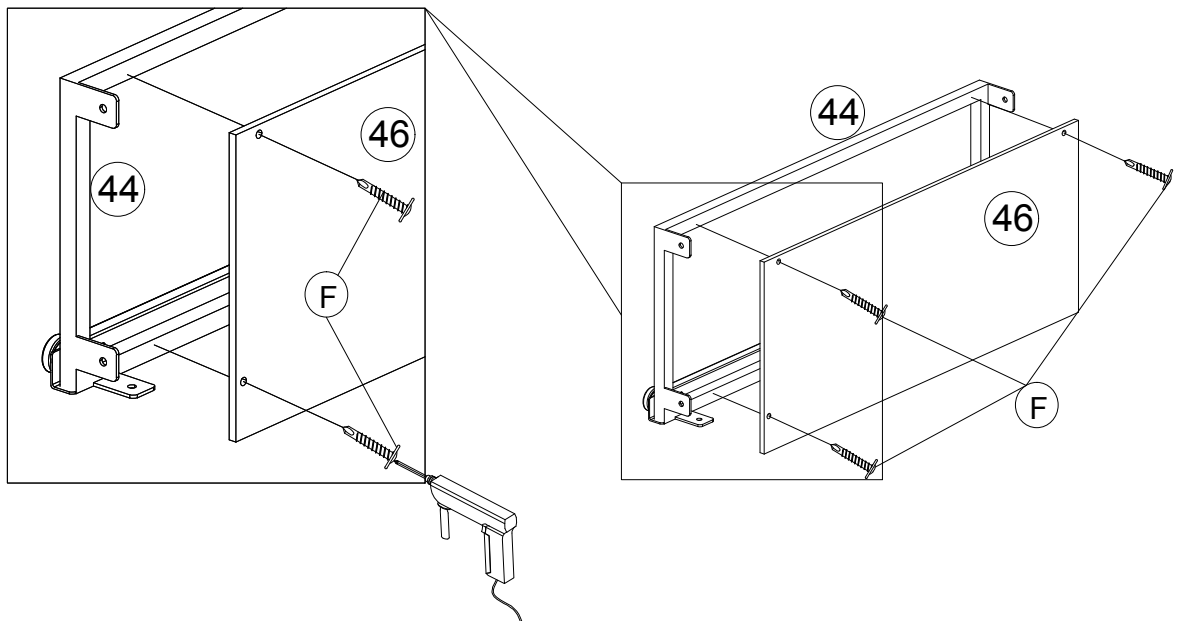
X2




E		5/32*25	1 pc x2
G		cabinet knob	1 pcs x2

STEP 30

X2



F		JPMT 4.2X20	3 pcs x2
---	---	-------------	----------

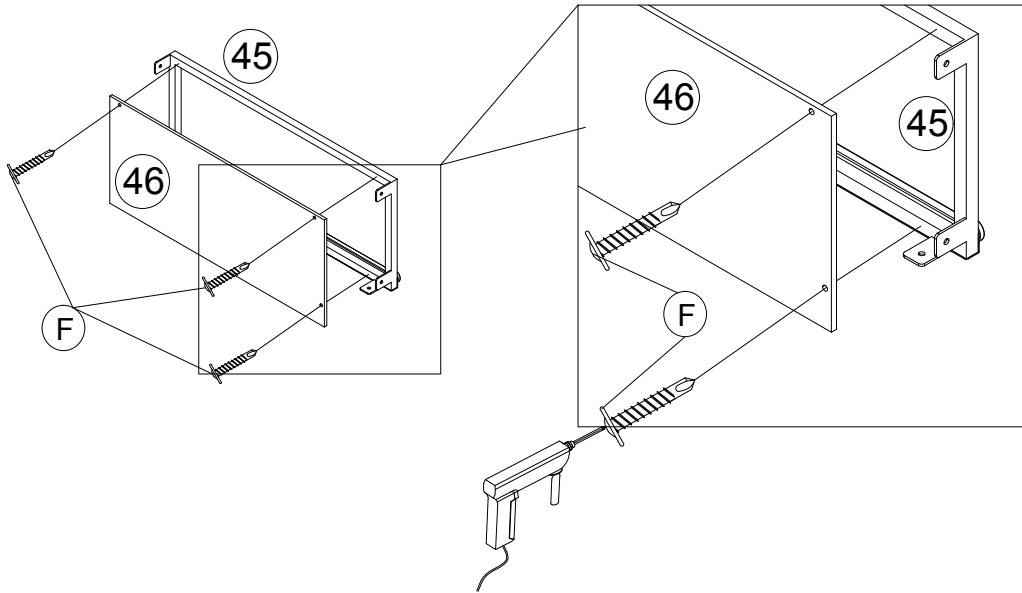
LOFT BED WITH SHELF

ASSEMBLY INSTRUCTIONS

ITEM: MF313336/MF313337

STEP 31

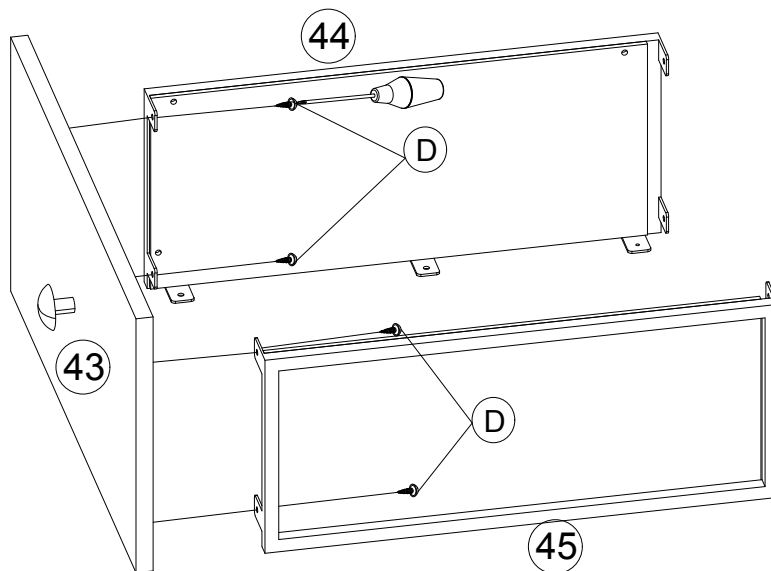
X2




(F)		JPMT 4.2X20	3 pcs x2
-----	---	-------------	----------

STEP 32

X2



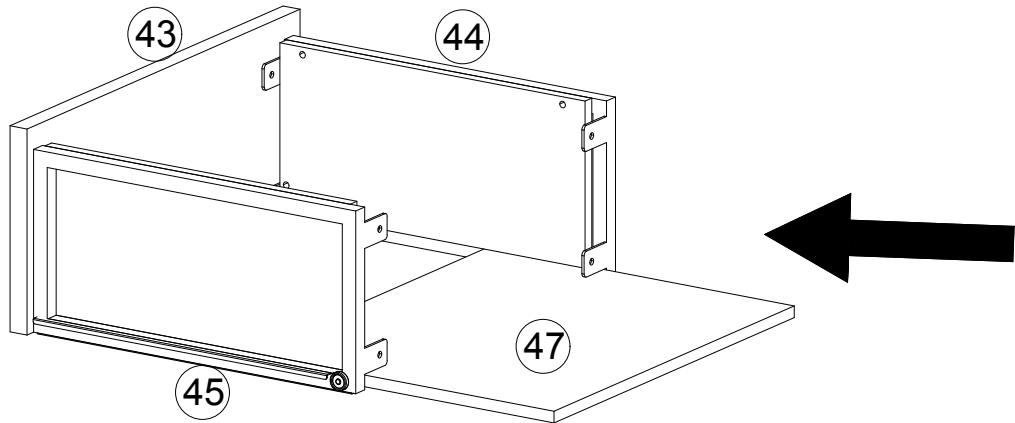
(D)		#8*10	4 pcs x2
-----	---	-------	----------

LOFT BED WITH SHELF

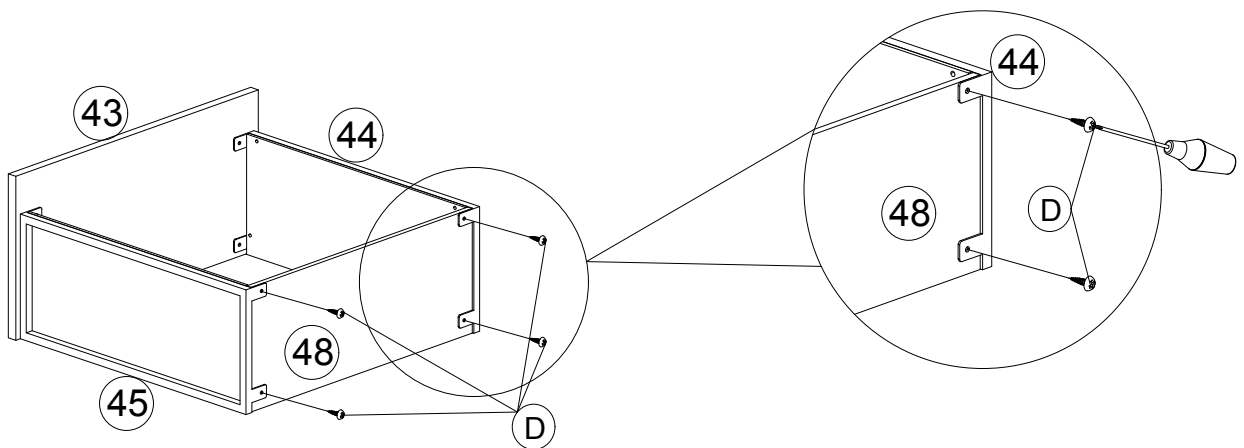
ASSEMBLY INSTRUCTIONS

ITEM: MF313336/MF313337

STEP 33
X2



STEP 34
X2



(D)

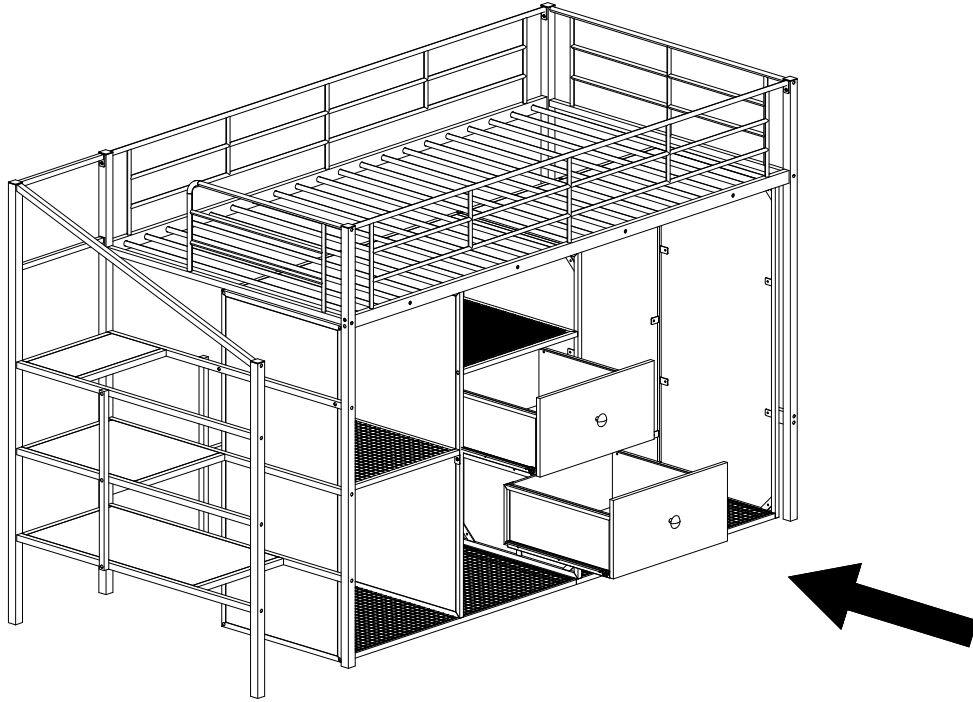


#8*10

4 pcs x 2

LOFT BED WITH SHELF
ASSEMBLY INSTRUCTIONS
ITEM: MF313336/MF313337

STEP 35



COMPLETE

