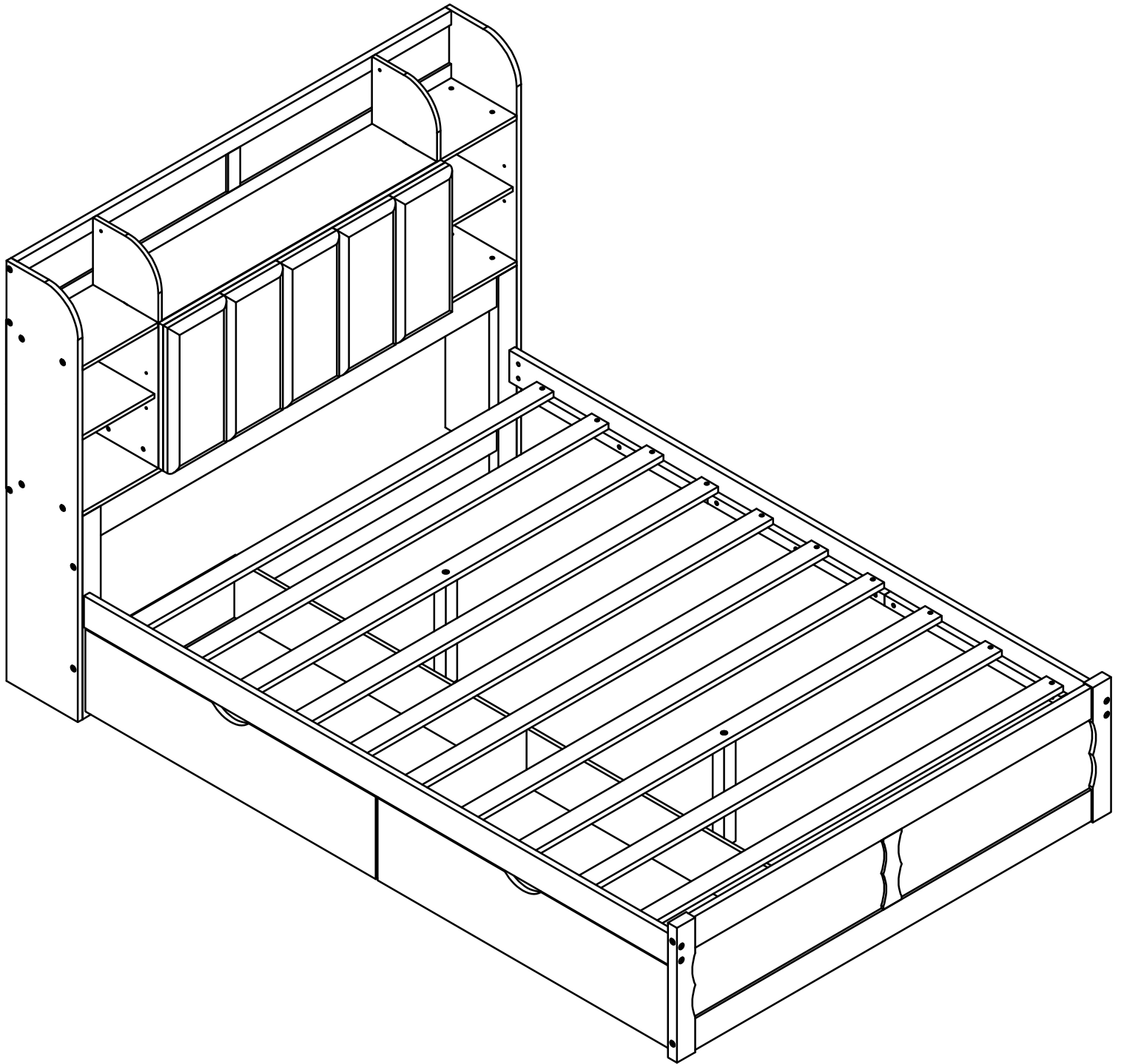
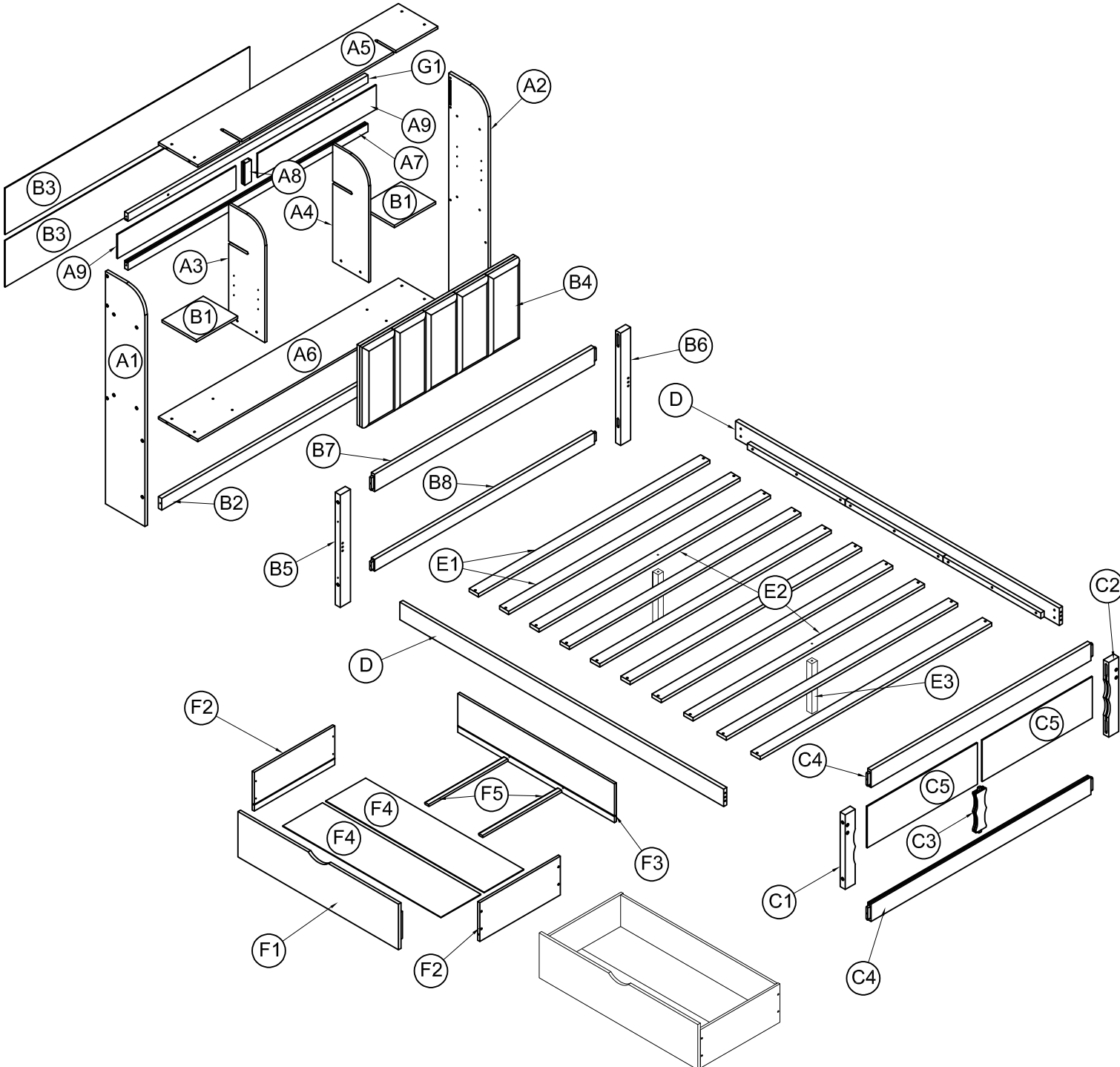


# ASSEMBLY INSTRUCTION

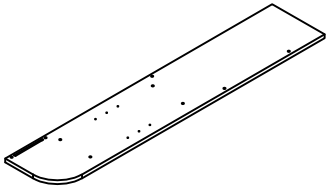
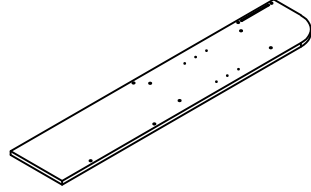
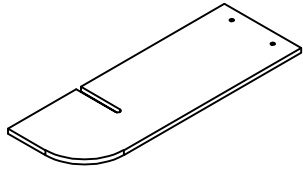
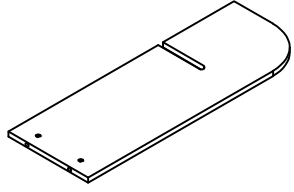
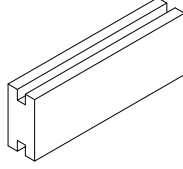
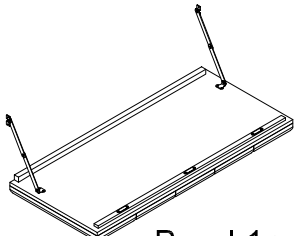
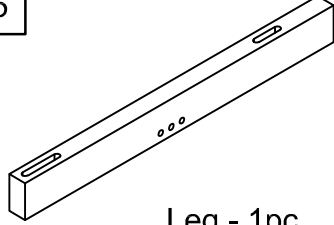
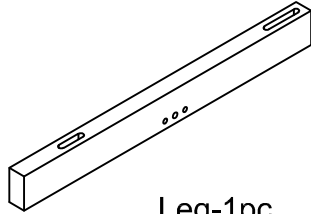
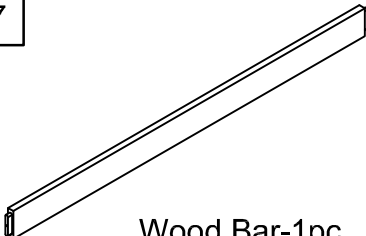
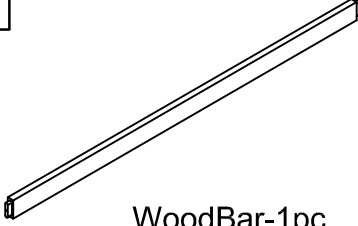
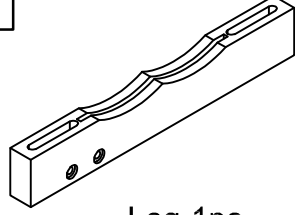
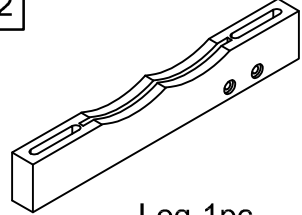
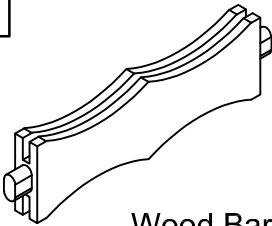

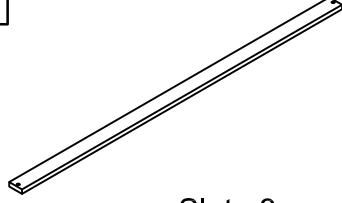
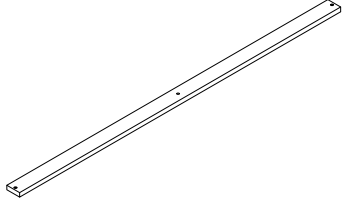

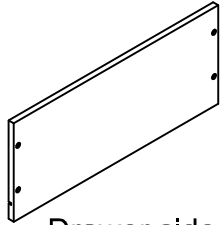
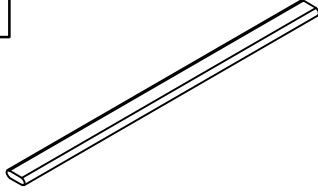
SKU CODE: (WF324514-WF324515)



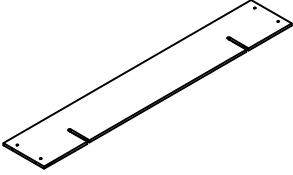
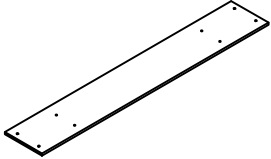


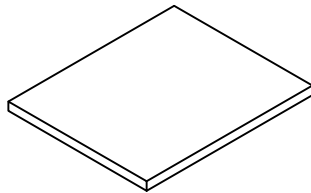
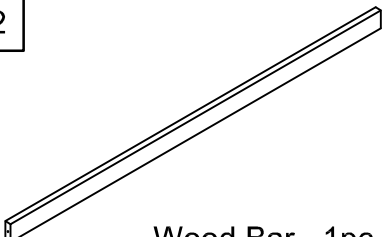
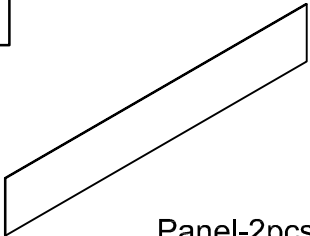
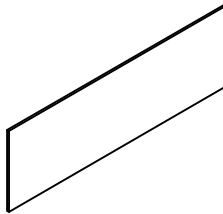
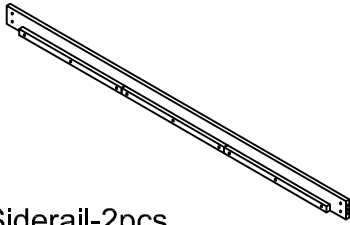
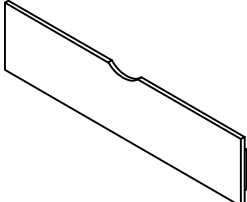
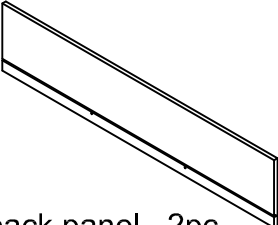
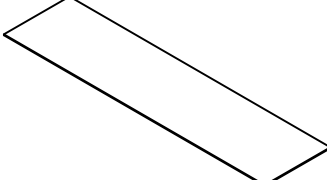

# ASSEMBLY INSTRUCTION





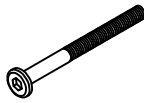


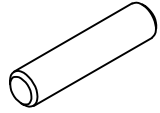
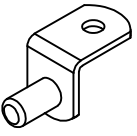
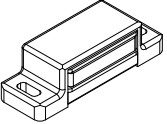
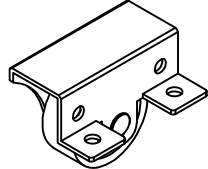

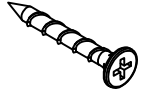

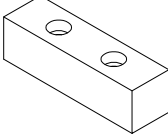

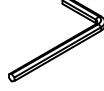
# Part List & Hardware List (BOX 1: WF324514)

<p>A1</p>  <p>Panel-1pc</p>	<p>A2</p>  <p>Panel-1pc</p>	<p>A3</p>  <p>Panel-1pc</p>
<p>A4</p>  <p>Panel-1pc</p>	<p>A8</p>  <p>Wood Bar-1pc</p>	<p>B4</p>  <p>Panel-1pc</p>
<p>B5</p>  <p>Leg - 1pc</p>	<p>B6</p>  <p>Leg-1pc</p>	<p>B7</p>  <p>Wood Bar-1pc</p>
<p>B8</p>  <p>WoodBar-1pc</p>	<p>C1</p>  <p>Leg-1pc</p>	<p>C2</p>  <p>Leg-1pc</p>
<p>C3</p>  <p>Wood Bar-1pc</p>	<p>C4</p>  <p>Wood Bar - 2pcs</p>	<p>E1</p>  <p>Slats-8pcs</p>
<p>E2</p>  <p>Slats-2pcs</p>	<p>E3</p>  <p>Wood Bar - 2pcs</p>	<p>F2</p>  <p>Drawer side panel - 4pcs</p>
<p>F5</p>  <p>Drawer support bar -4pcs</p>		

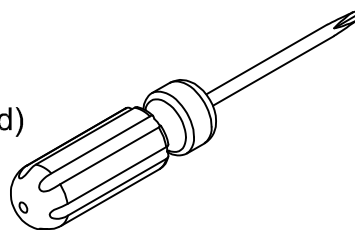
# Part List (BOX 2: WF324515)

<p>A5</p>  <p>Panel - 1pc</p>	<p>A6</p>  <p>Panel - 1pc</p>	<p>A7</p>  <p>WoodBar-1pc</p>
<p>A9</p>  <p>Panel-2pcs</p>	<p>B1</p>  <p>Panel-2pcs</p>	<p>B2</p>  <p>Wood Bar - 1pc</p>
<p>B3</p>  <p>Panel-2pcs</p>	<p>C5</p>  <p>Panel-2pcs</p>	<p>D</p>  <p>Siderail-2pcs</p>
<p>F1</p>  <p>Drawer front panel-2pcs</p>	<p>F3</p>  <p>Drawer back panel -2pc</p>	<p>F4</p>  <p>Drawer bottom panel-4pc</p>
<p>G1</p>  <p>WoodBar-1pc</p>		

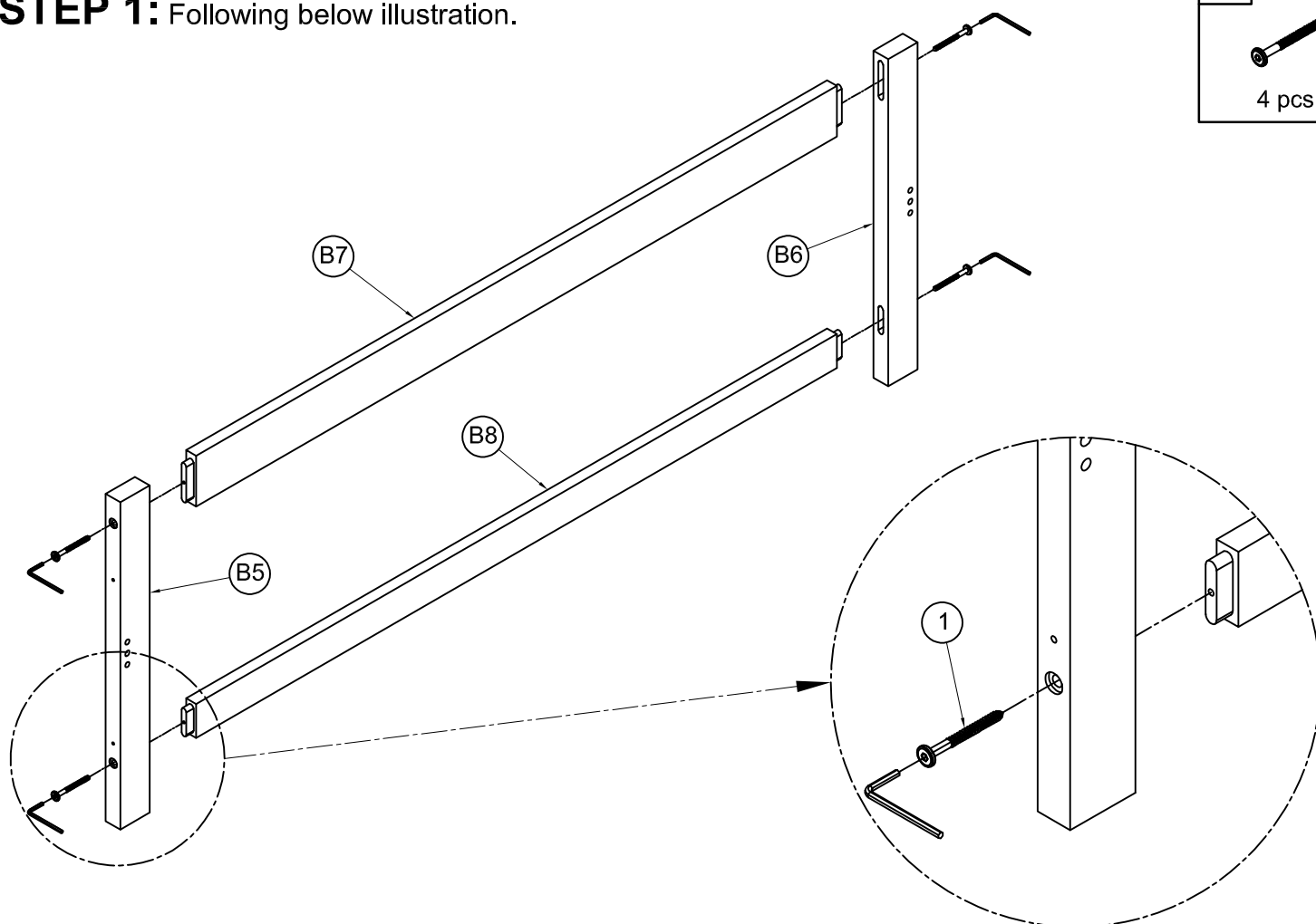
# Hardware List (BOX 1: WF324514)

<p>1</p>  <p>1/4" x 80 Hex-Head Screws = 8pcs</p>	<p>2</p>  <p>1/4" x 40 Hex-Head Screws = 10pcs</p>	<p>3</p>  <p>Ø1/4" x 80 Hex-Head Bolts = 8pcs</p>
<p>4</p>  <p>Ø1/4" x 50 Hex-Head Bolts = 14 pcs</p>	<p>5</p>  <p>Nut = 22pcs</p>	<p>6</p>  <p>Ø10x40mm Wood Dowel = 4pcs</p>
<p>7</p>  <p>Latches = 8pcs</p>	<p>8</p>  <p>Magnetic Catch = 3pcs</p>	<p>9</p>  <p>Caster = 8pcs</p>
<p>10</p>  <p>M3.5x15mm Round head Screws = 30 pcs</p>	<p>11</p>  <p>M4x30mm Flat head Screws = 50pcs</p>	<p>12</p>  <p>M3x12mm Flat head Screws = 42 pcs</p>
<p>13</p>  <p>Stop Drawer = 4 pcs</p>	<p>14</p>  <p>Ø1/4" x 30 Hex-Head Bolts = 2 pcs</p>	<p>15</p>  <p>Allen key = 1pc</p>

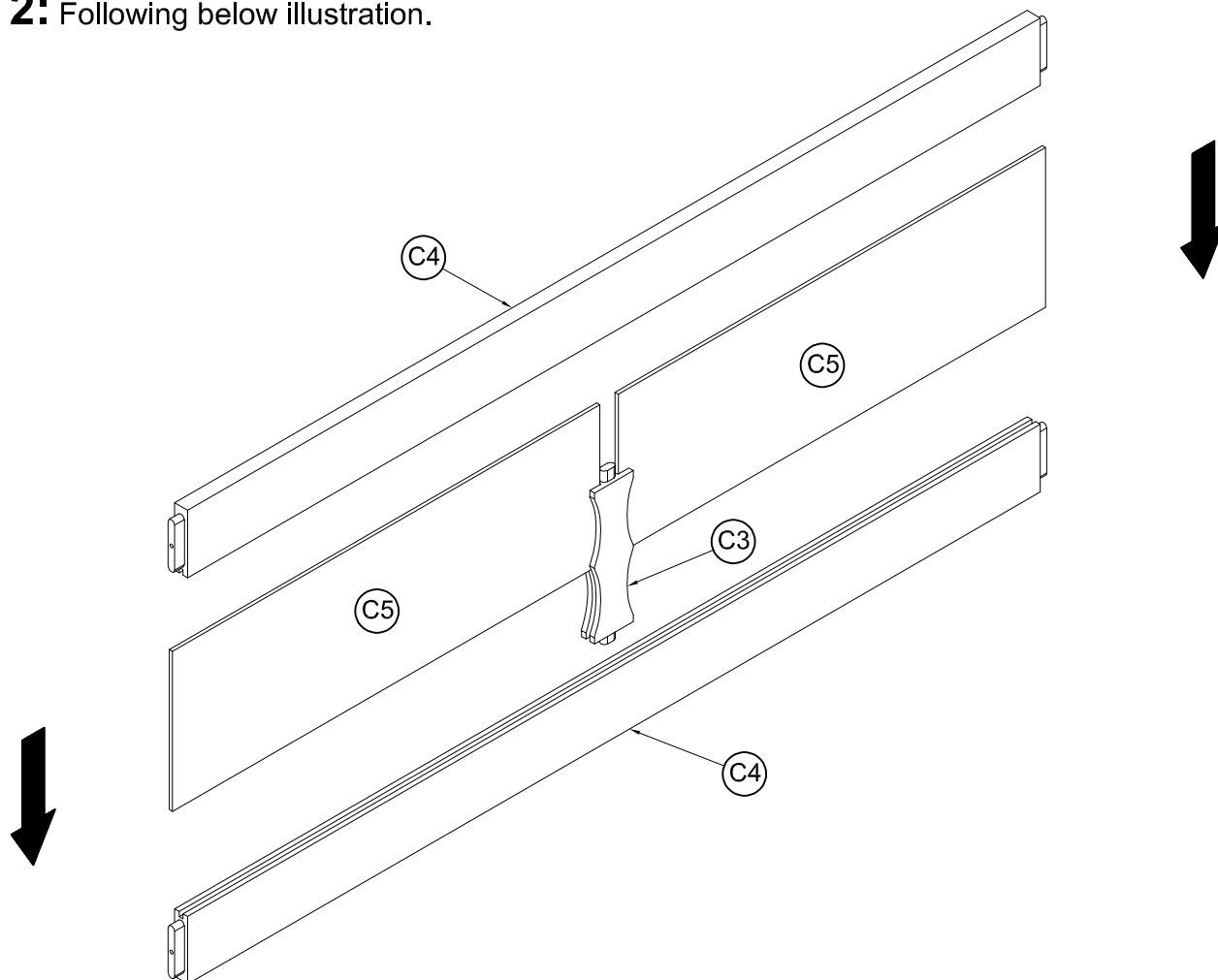
Assembly Tools Required (Not Included)



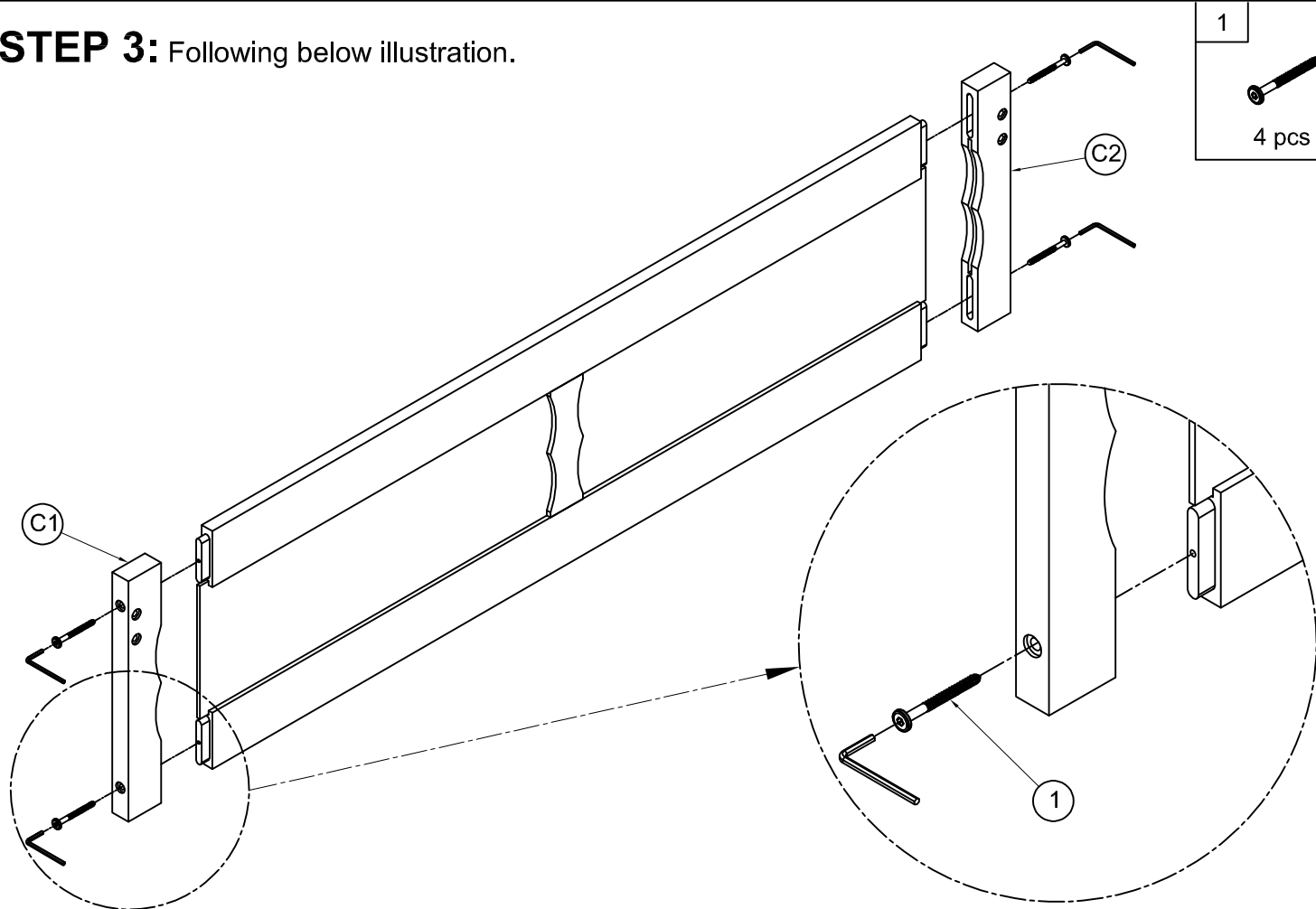
**STEP 1:** Following below illustration.



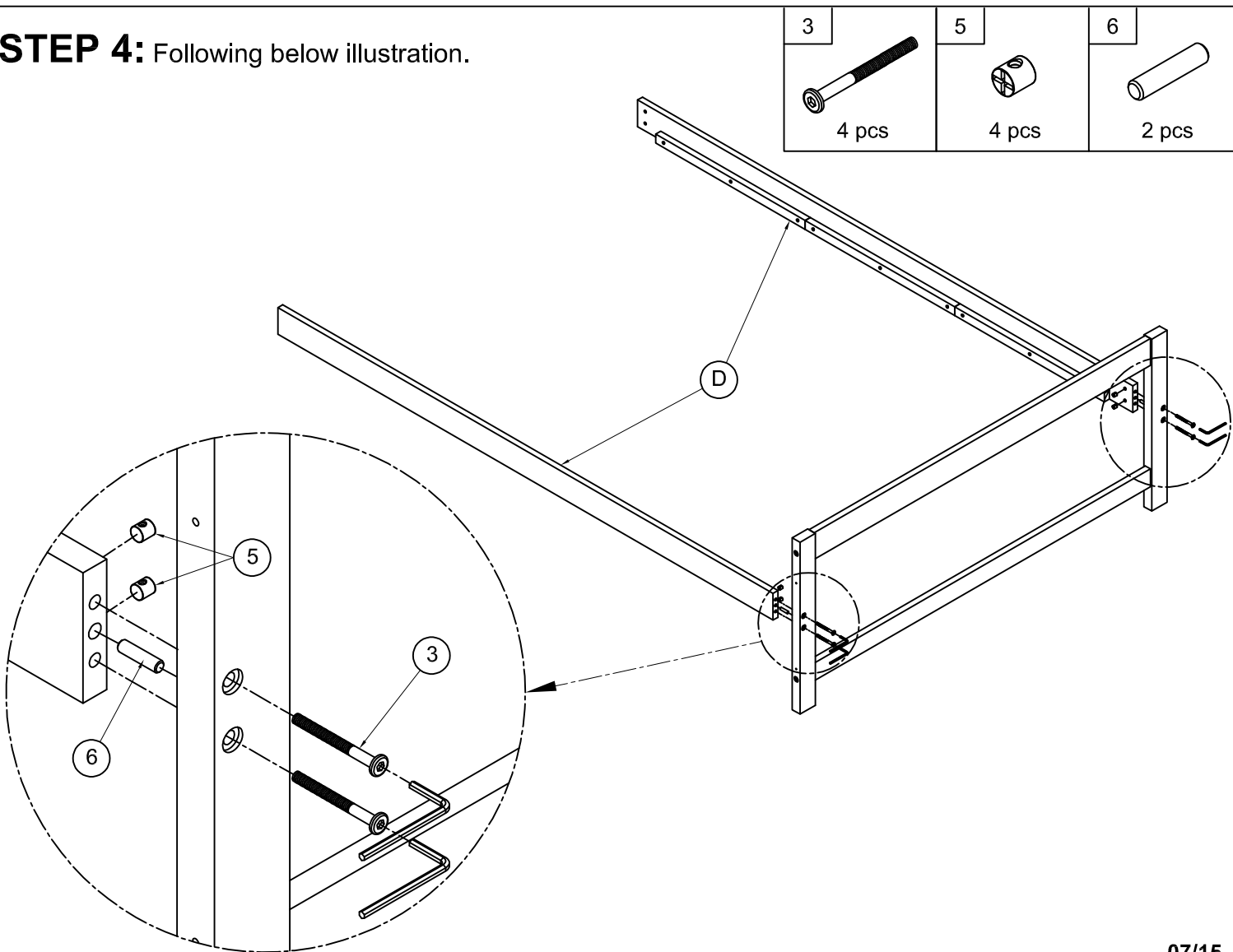
**STEP 2:** Following below illustration.



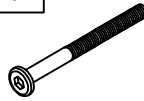

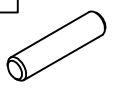
**STEP 3:** Following below illustration.

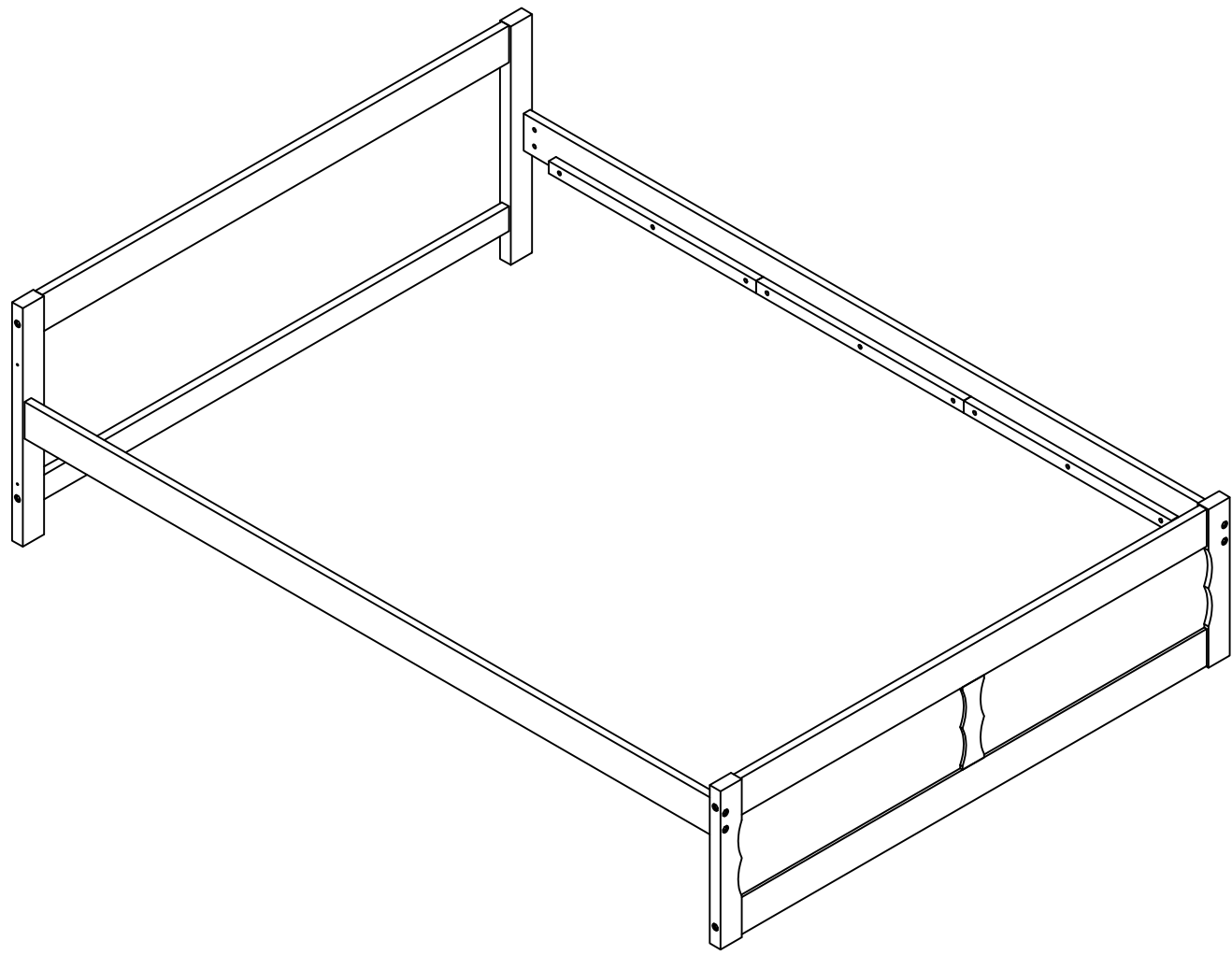
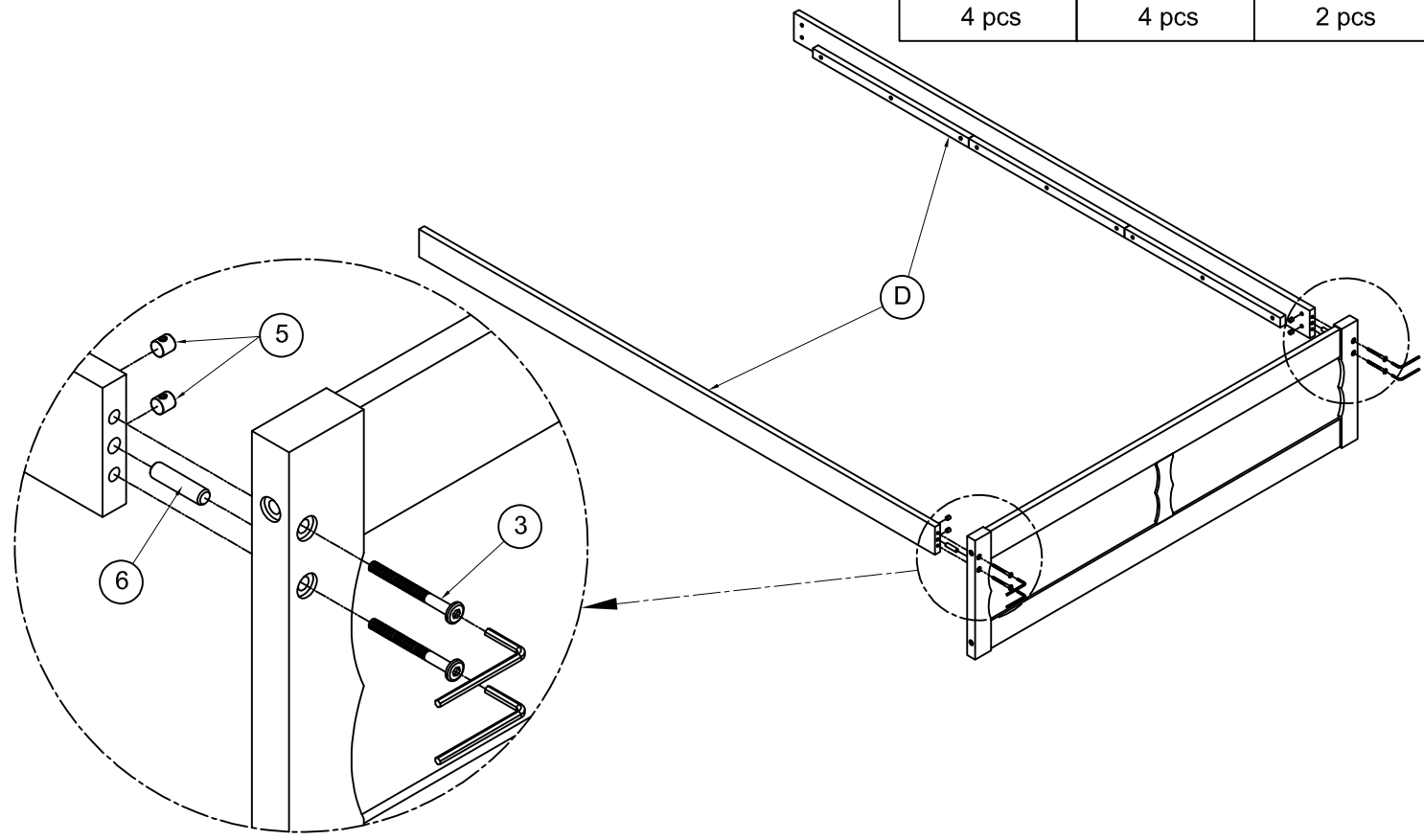


**STEP 4:** Following below illustration.



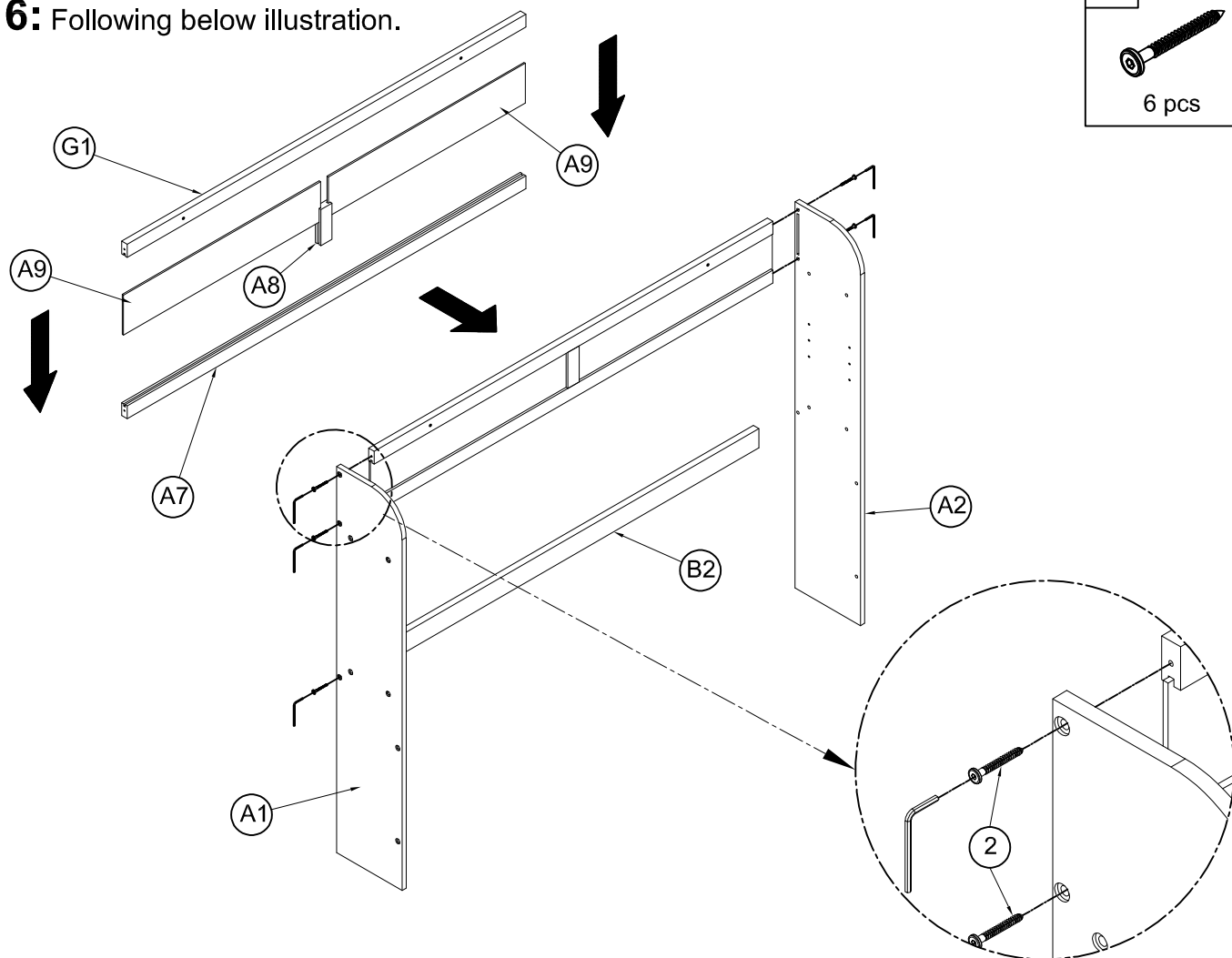
**STEP 5:** Following below illustration.

3	5	6
		
4 pcs	4 pcs	2 pcs

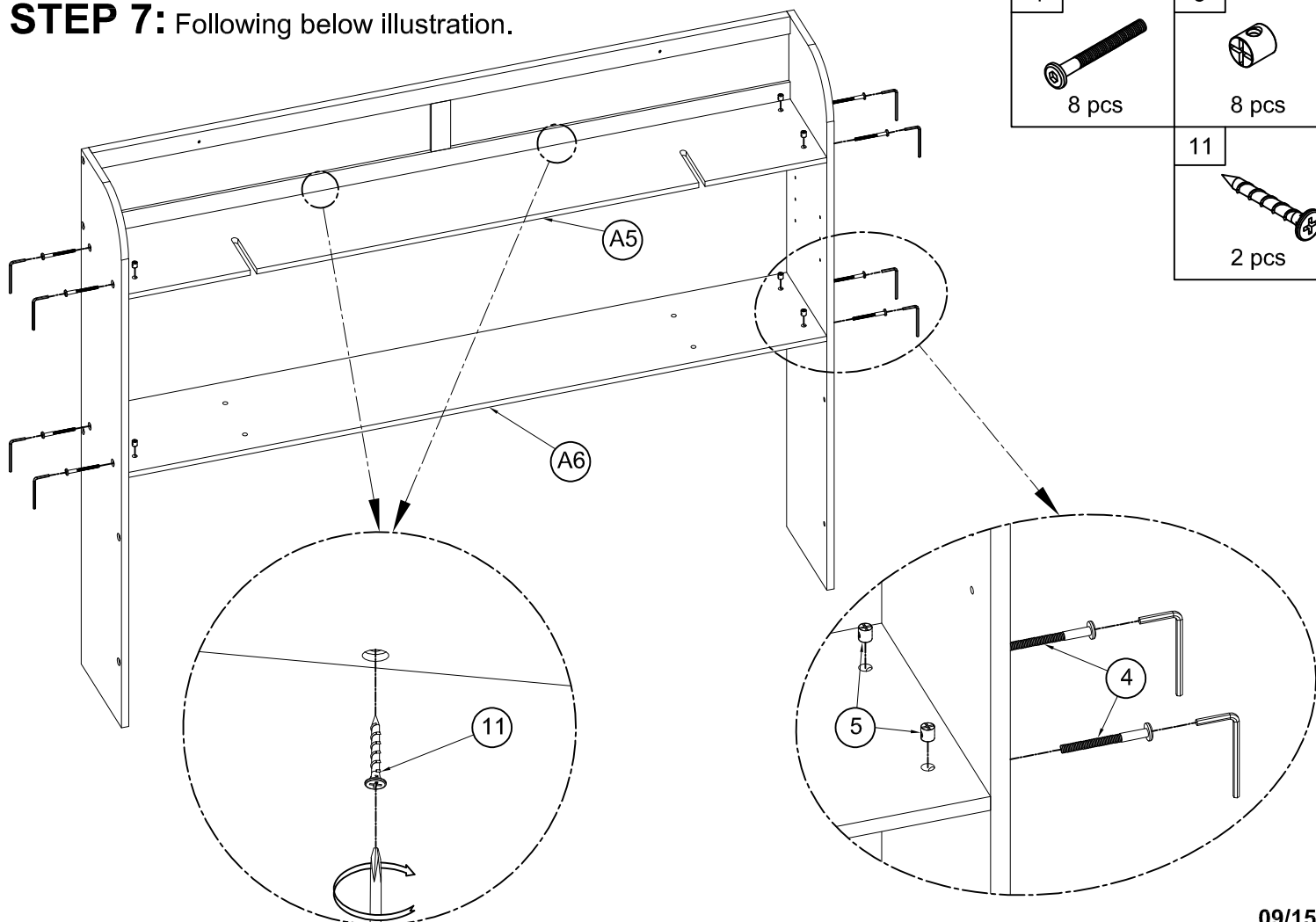




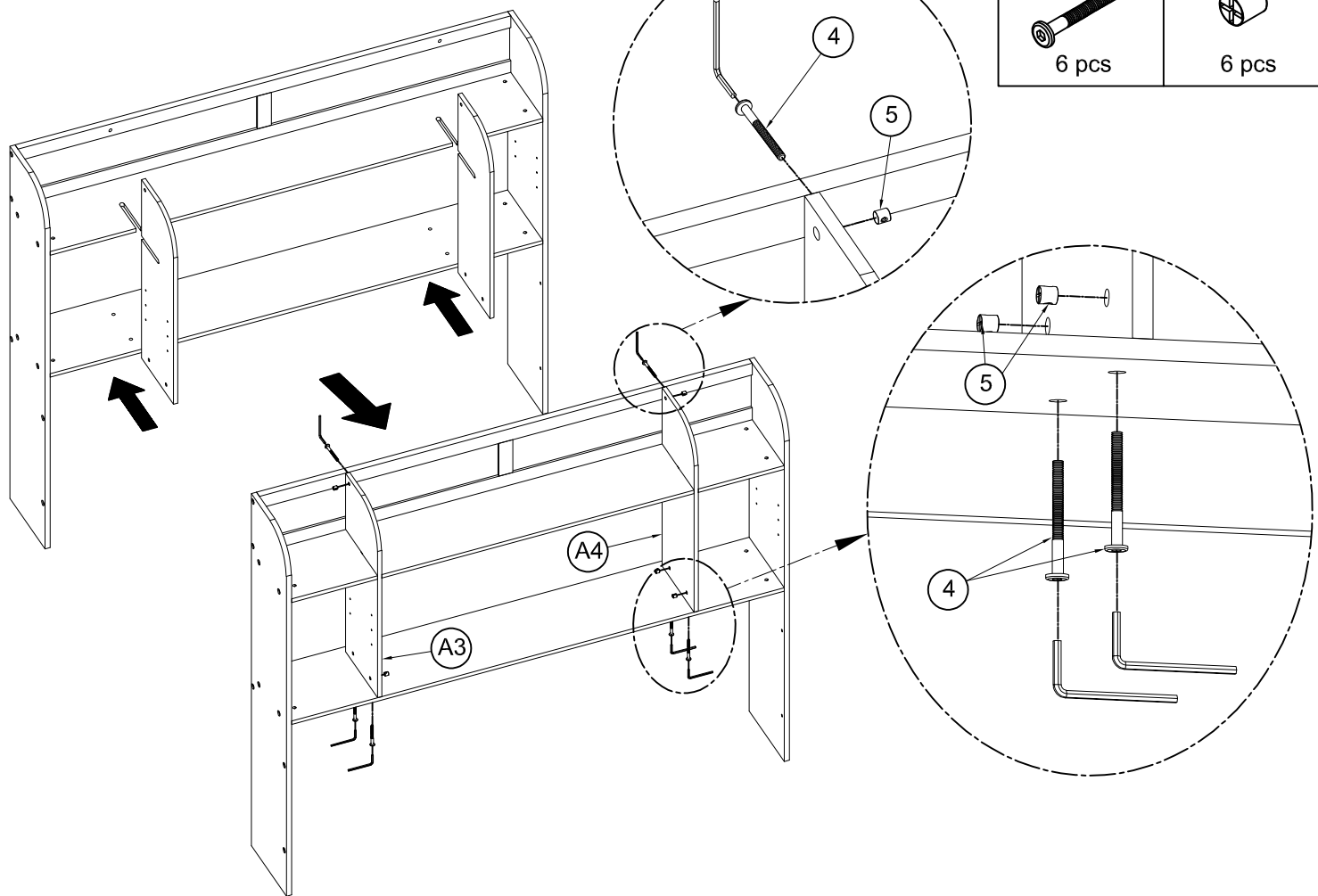
## STEP 6: Following below illustration.



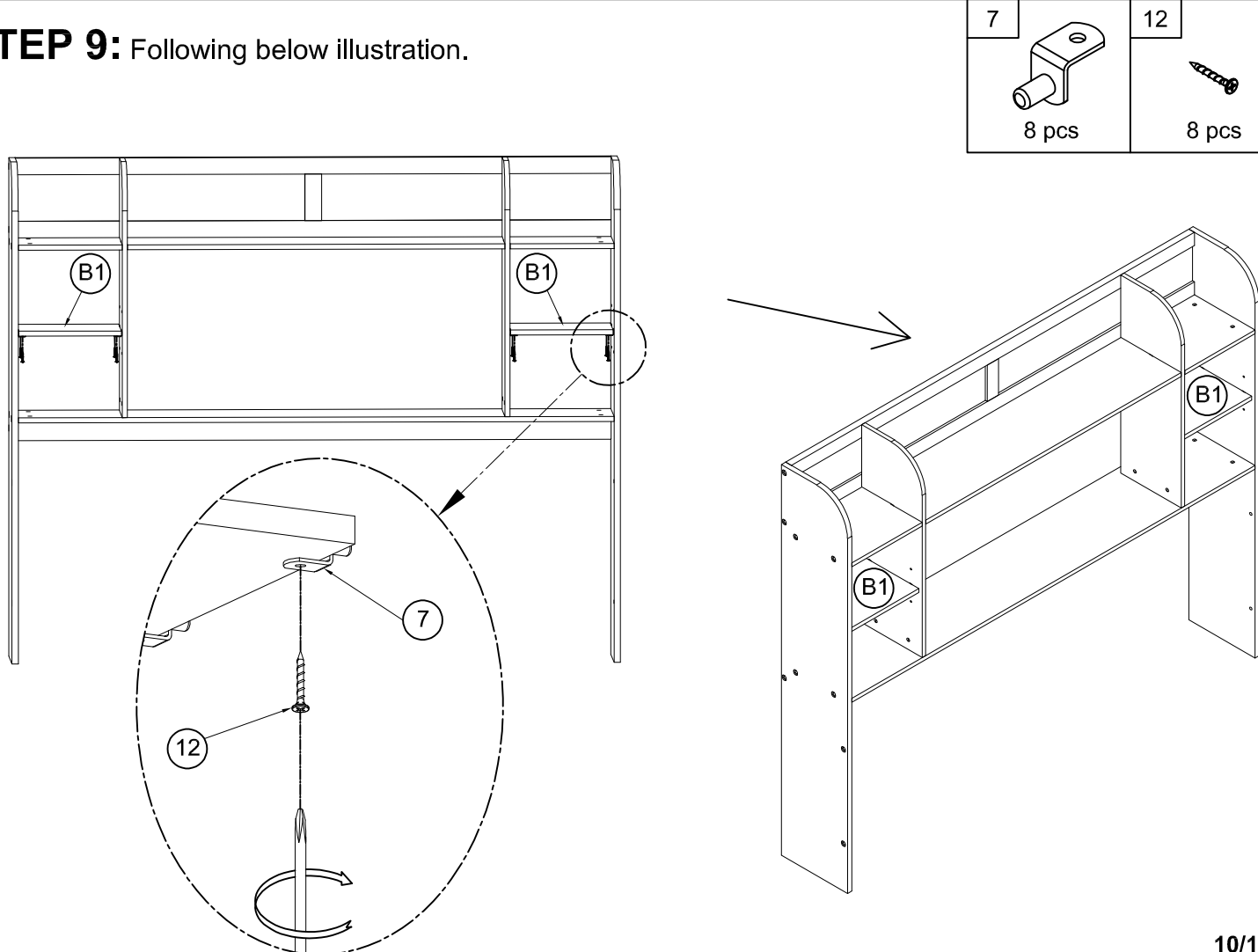
## STEP 7: Following below illustration.



**STEP 8:** Following below illustration.



**STEP 9:** Following below illustration.

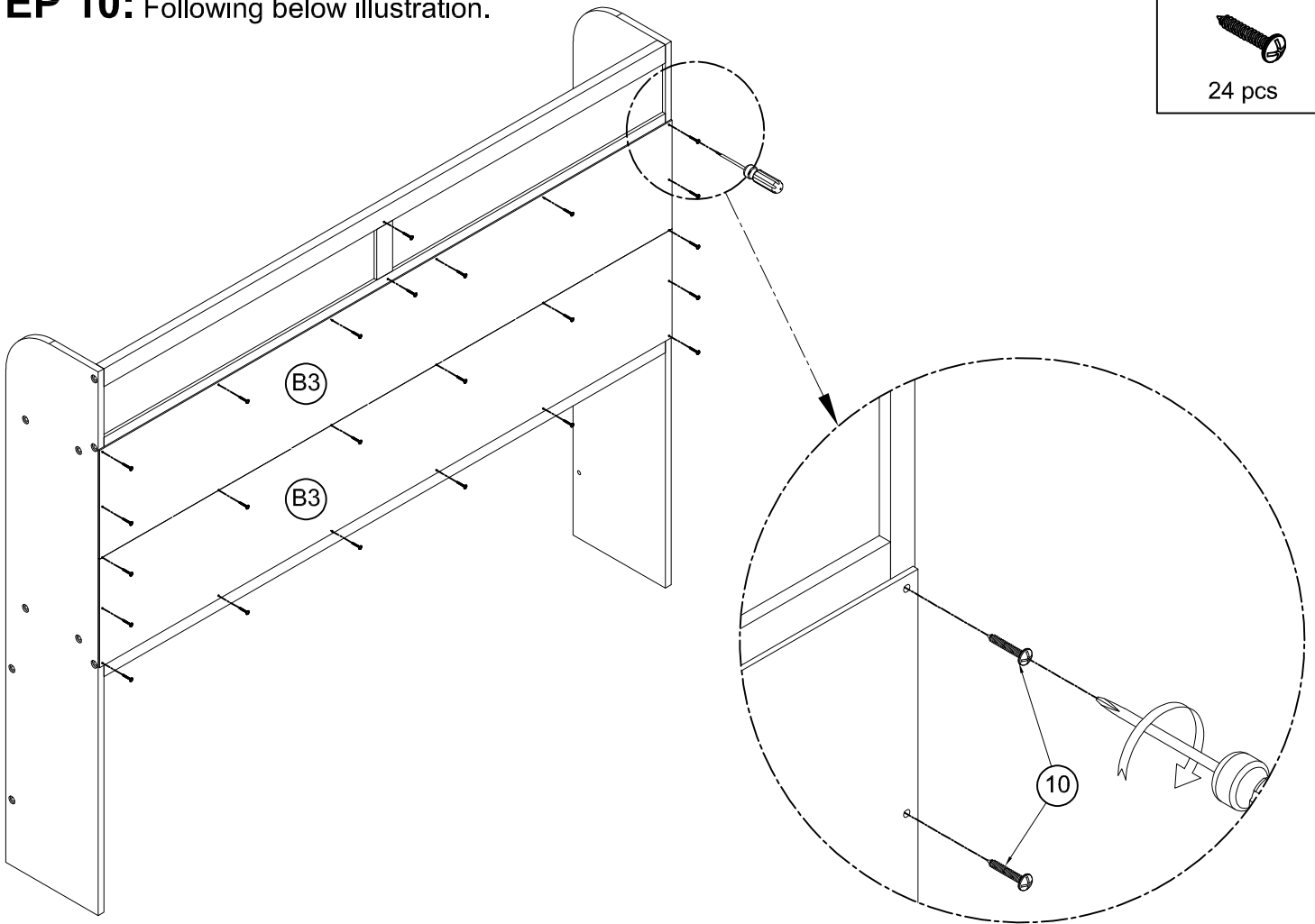


**STEP 10:** Following below illustration.

10



24 pcs

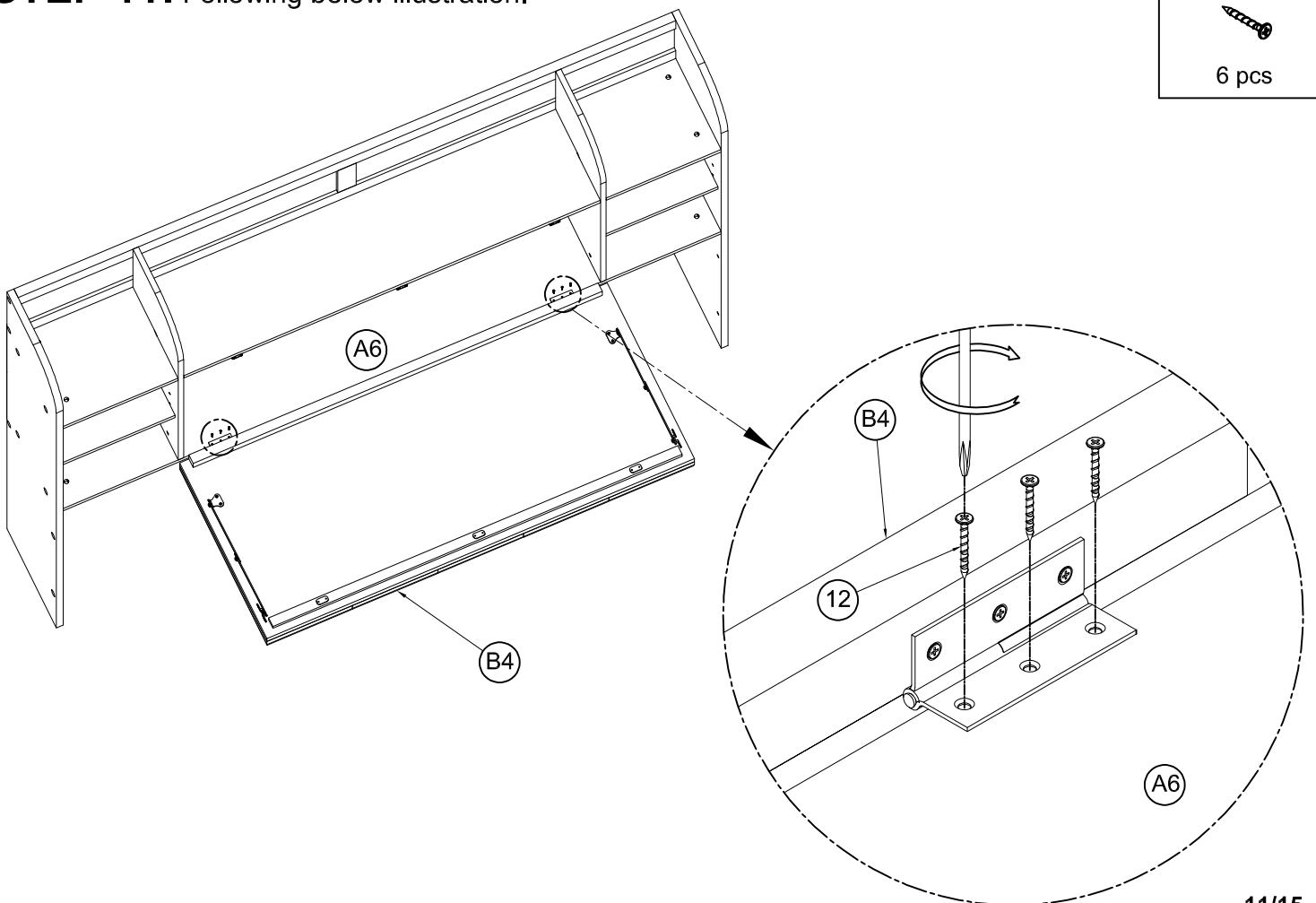


**STEP 11:** Following below illustration.

12



6 pcs



**STEP 12:** Following below illustration.

8



3 pcs

10

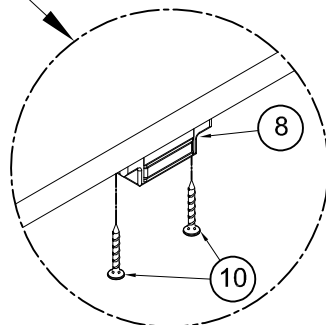
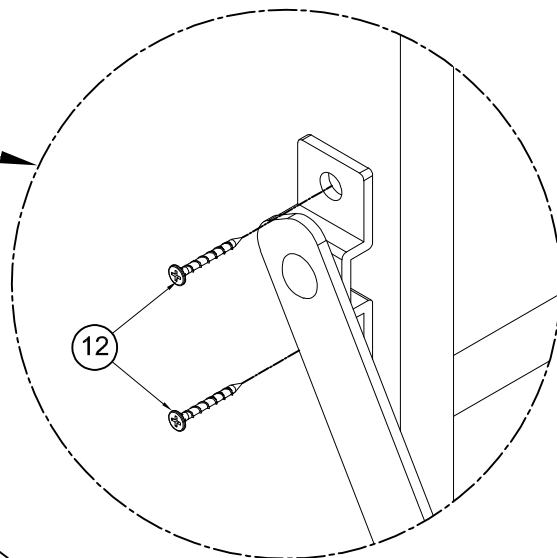
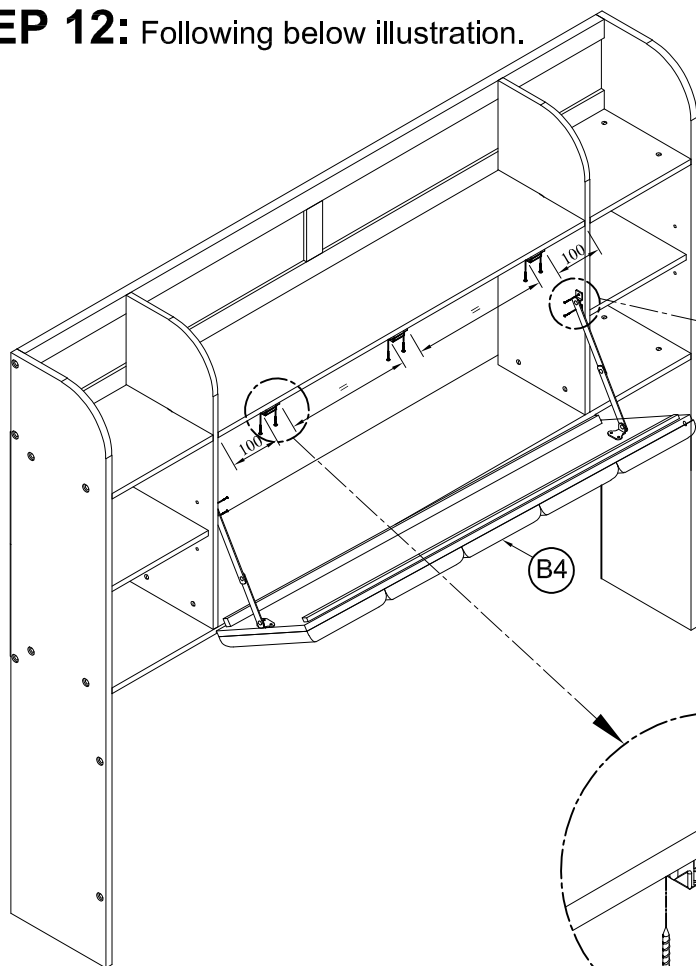


6 pcs

12

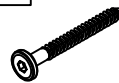


4 pcs

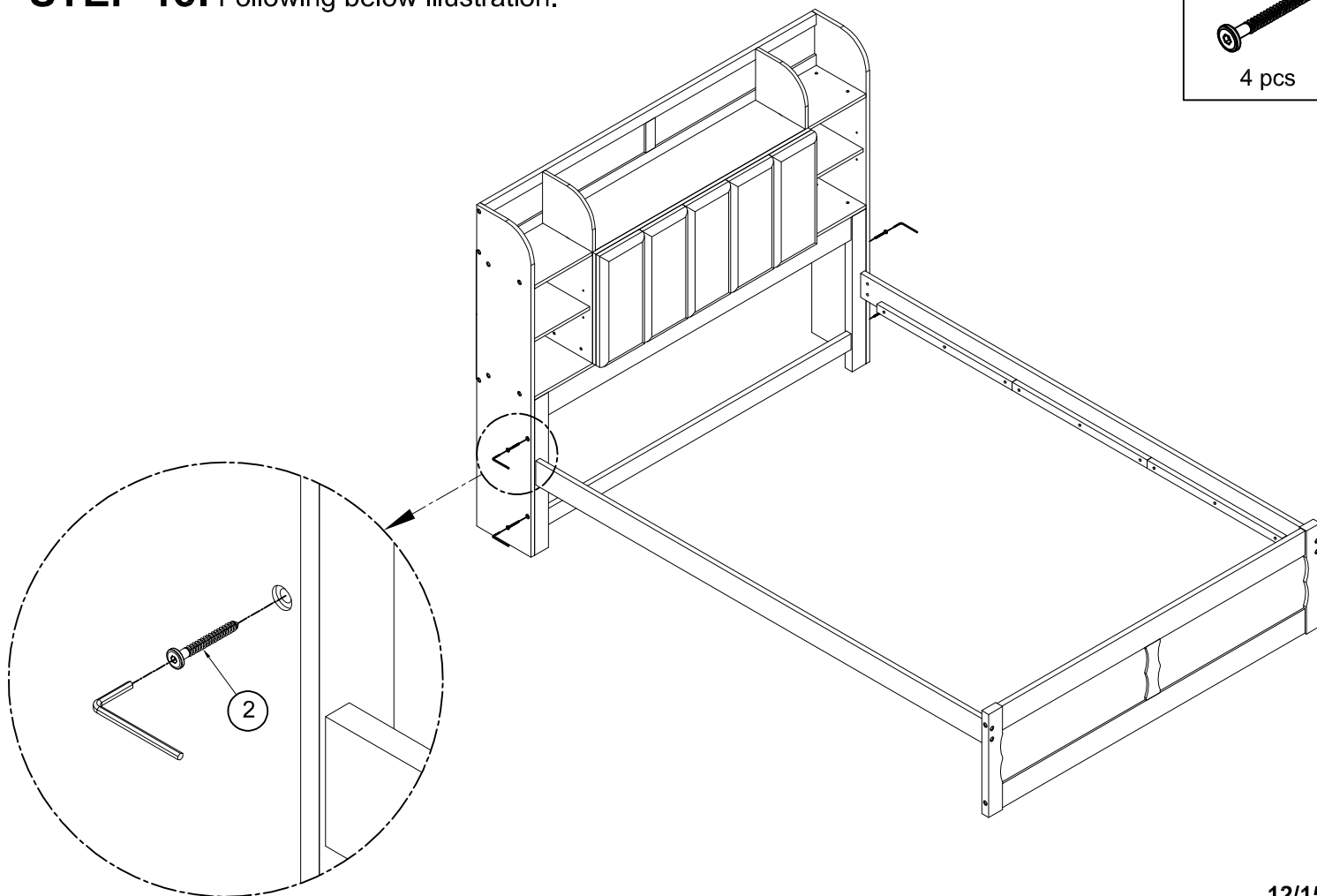


**STEP 13:** Following below illustration.

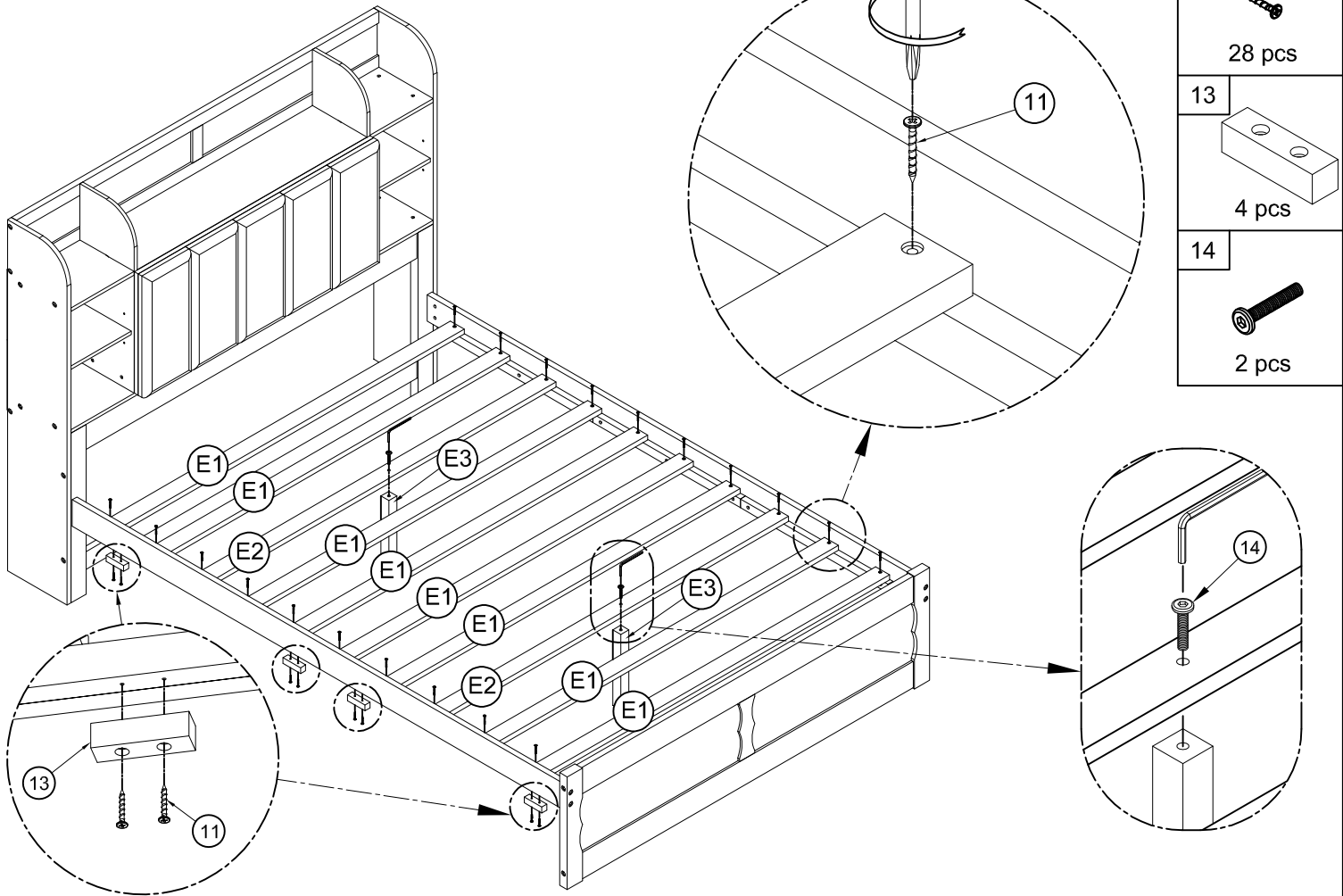
2



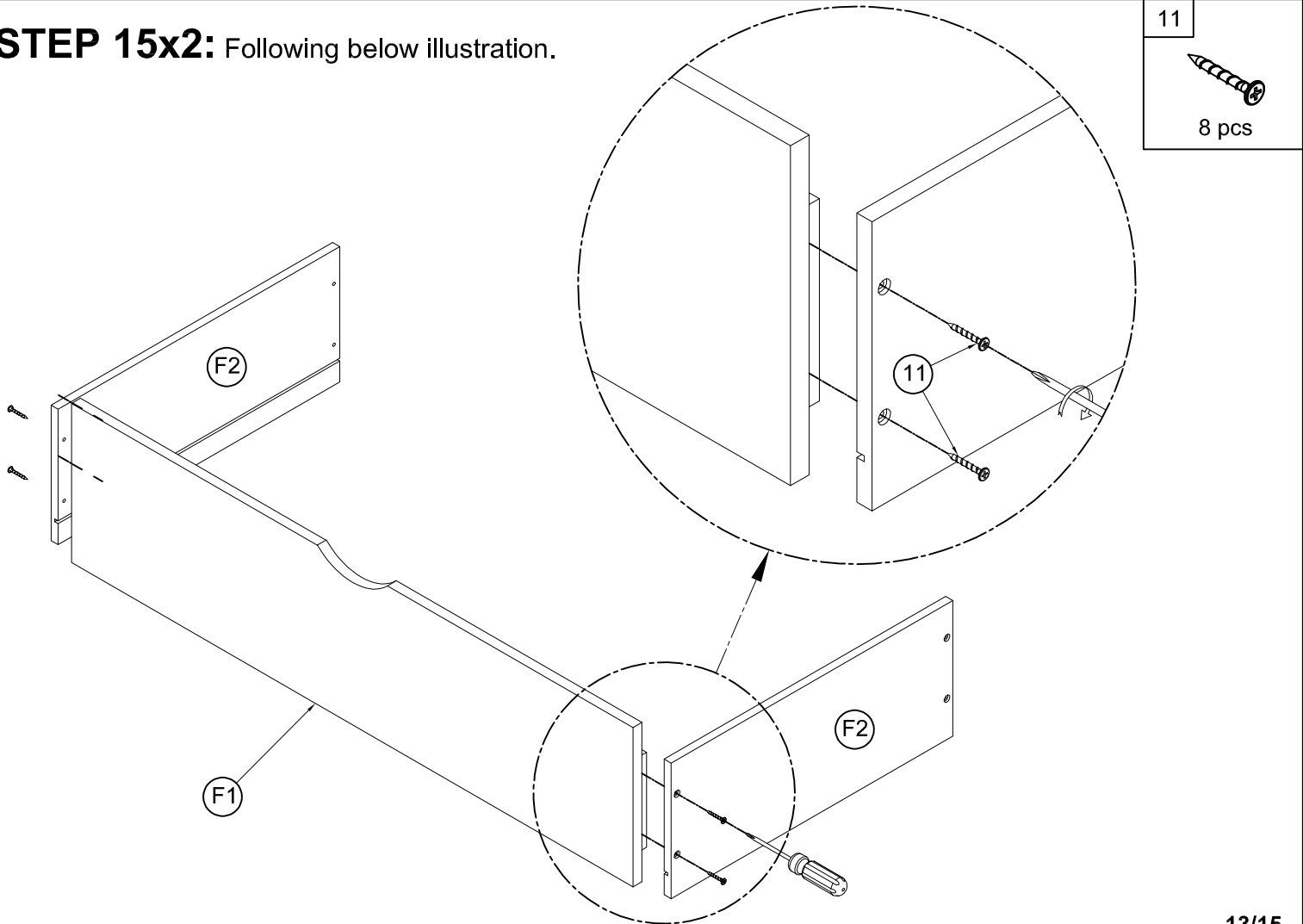
4 pcs



**STEP 14:** Following below illustration.



**STEP 15x2:** Following below illustration.

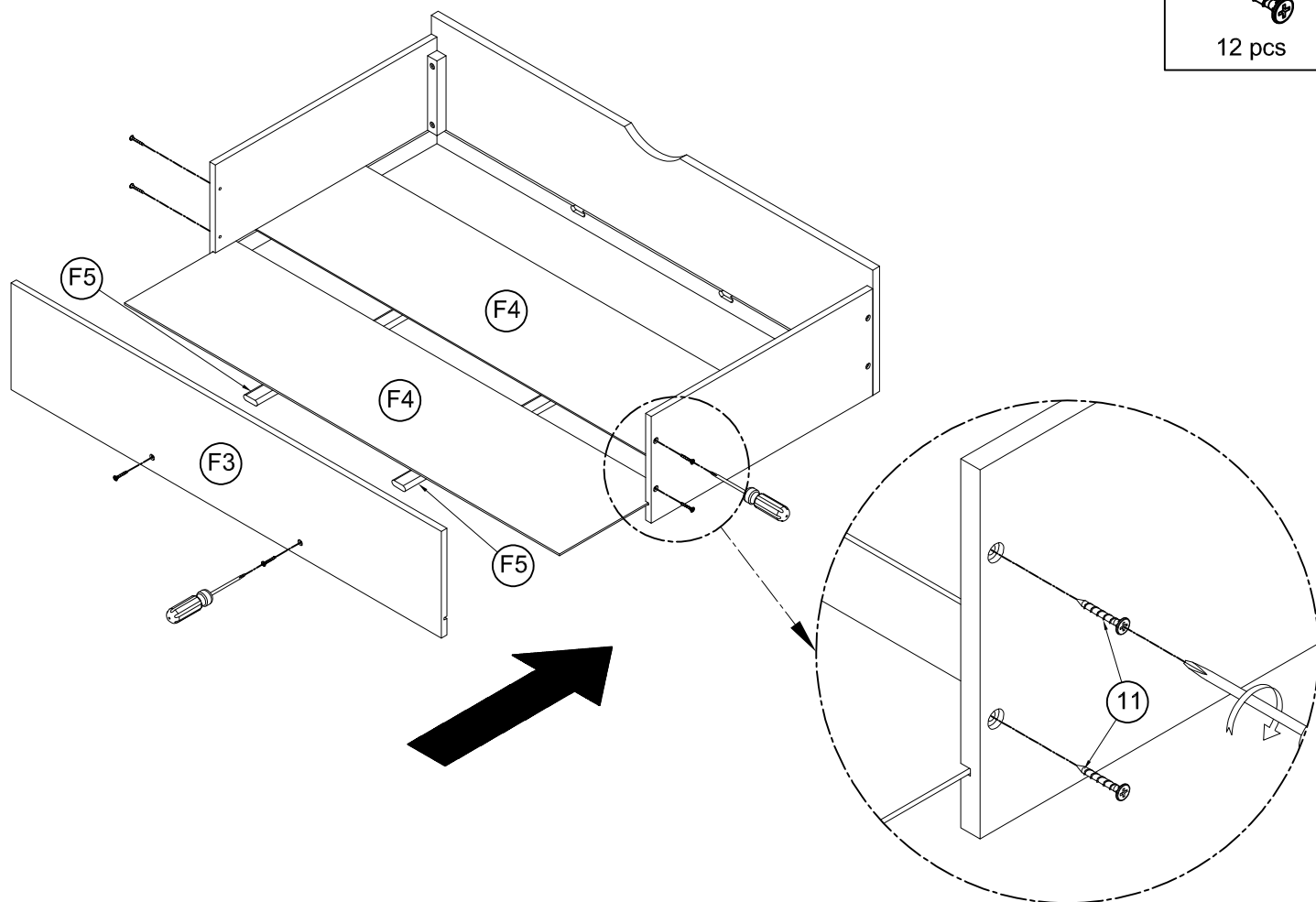


**STEP 16x2:** Following below illustration.

11



12 pcs



**STEP 17x2:** Following below illustration.

9

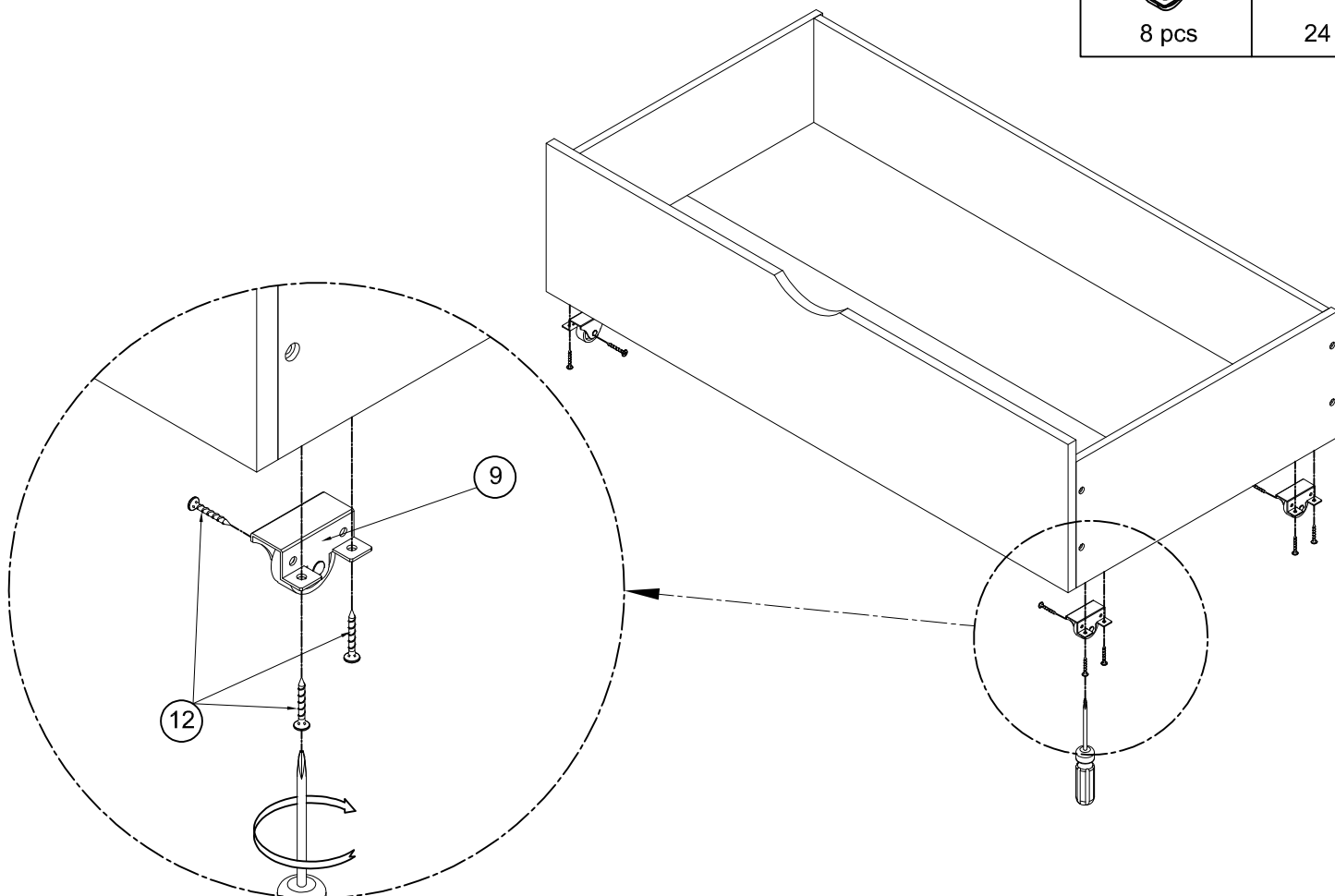


8 pcs

12



24 pcs



**STEP 18:** Following below illustration.

