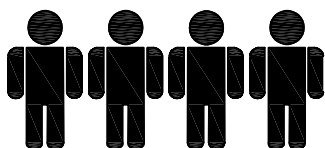
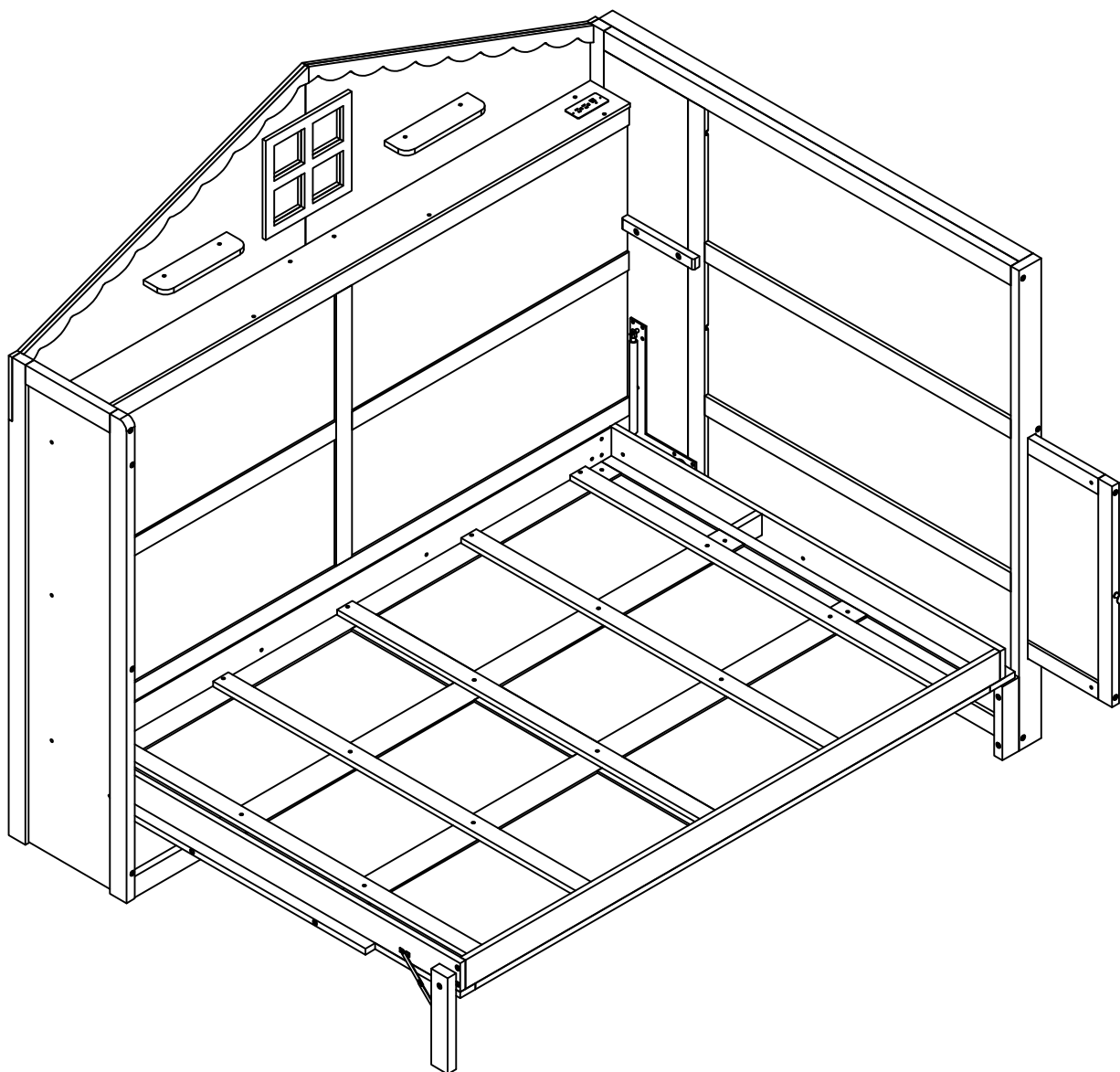


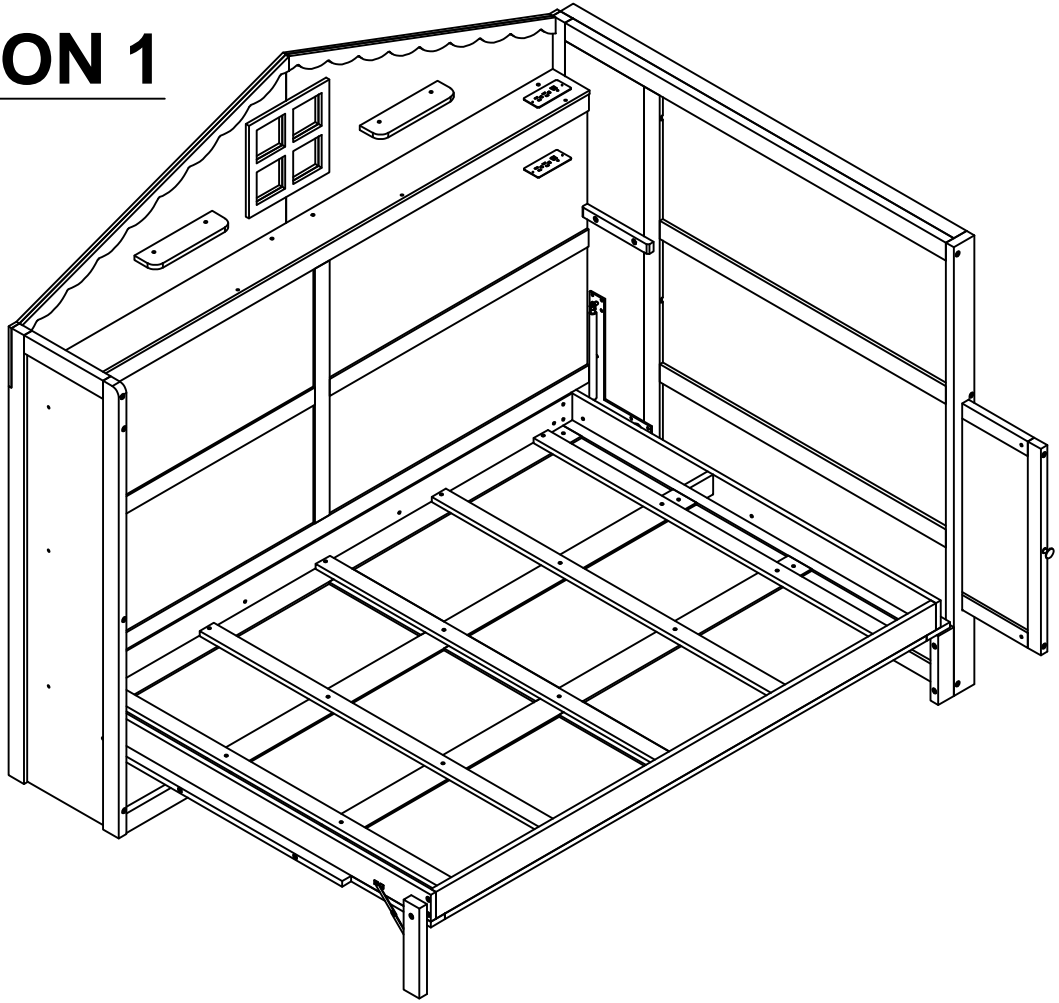
ASSEMBLY INSTRUCTION

SKU CODE: WF312879- WF312880

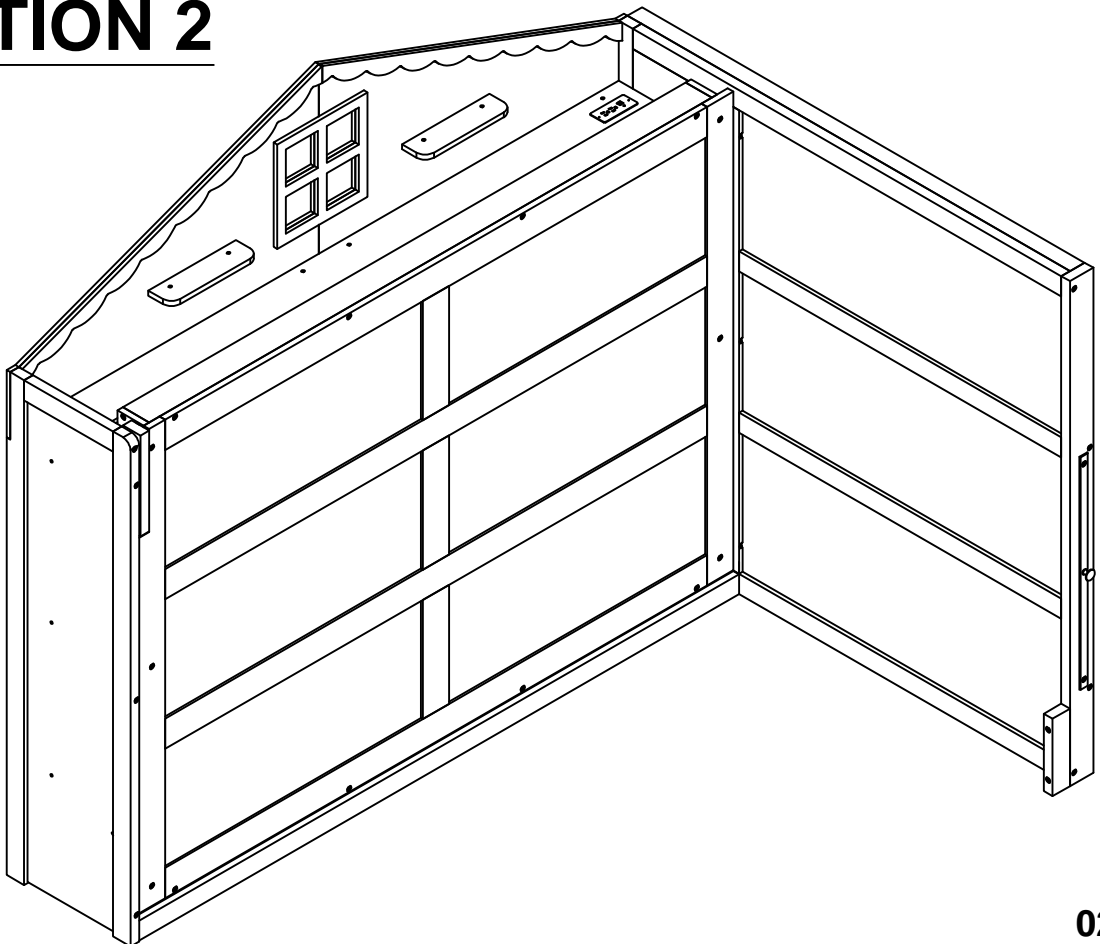


Four people are required to assemble and move this model.

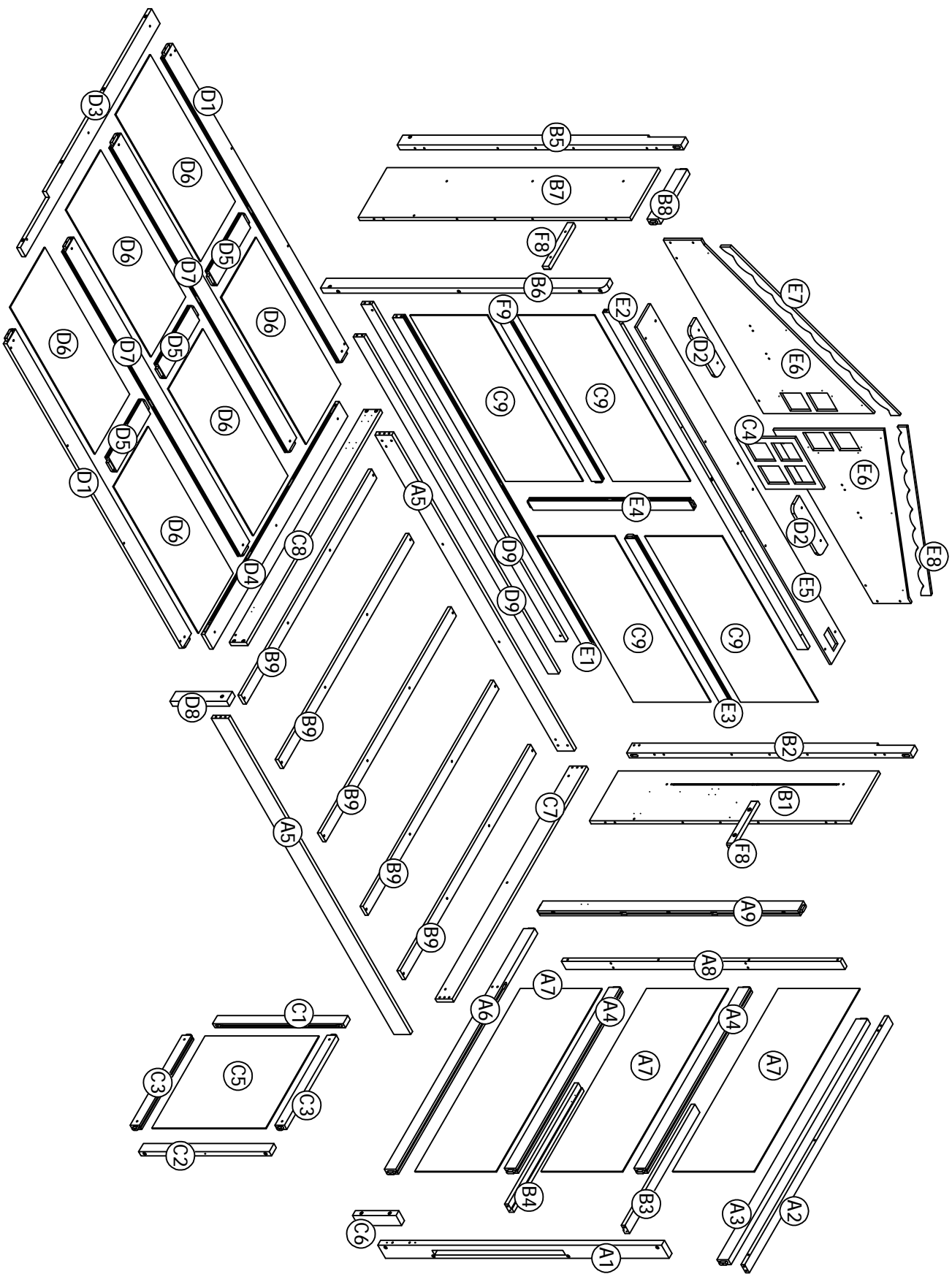
OPTION 1






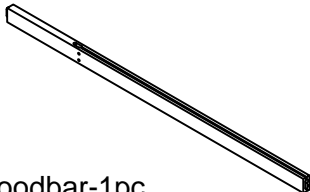
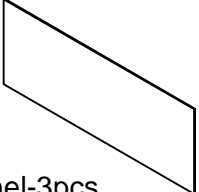



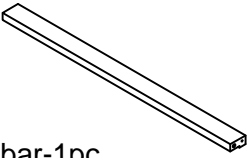
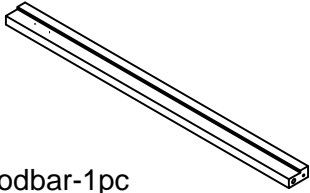


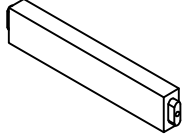
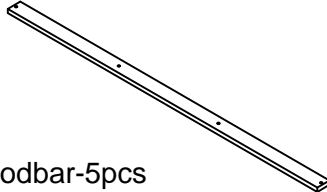


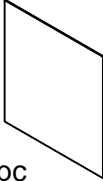
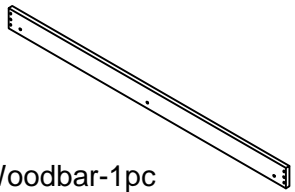
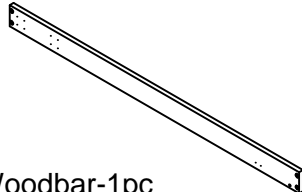
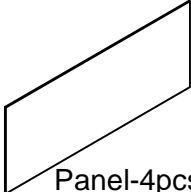
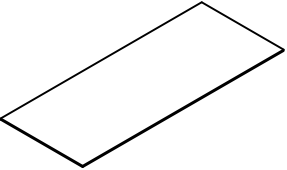

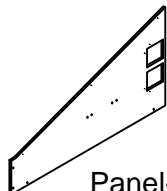
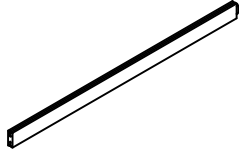
OPTION 2



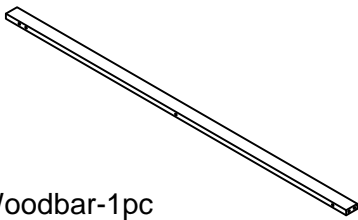
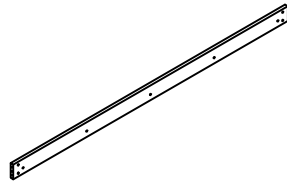

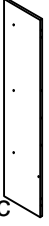
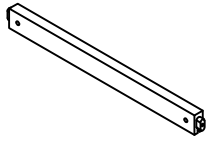
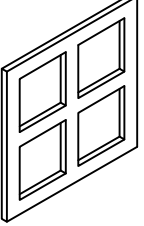
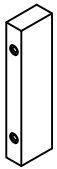
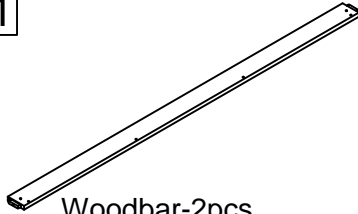
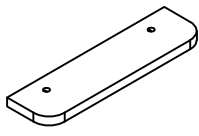
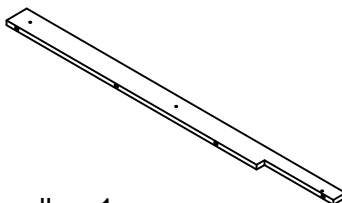
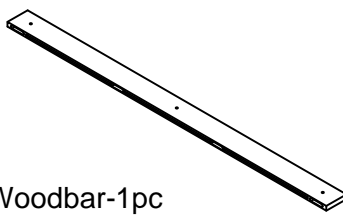
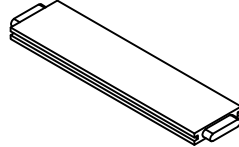
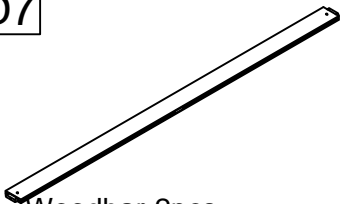
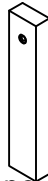
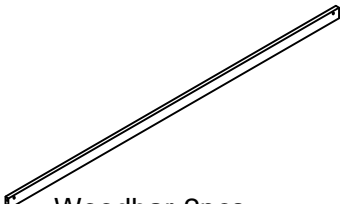

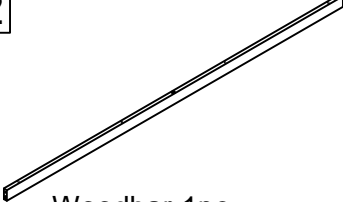
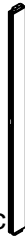
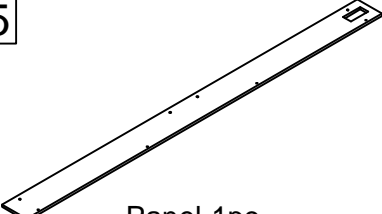
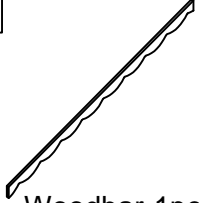

ASSEMBLY INSTRUCTION



Part List (WF312879)

<p>A1</p>  <p>Woodbar-1pc</p>	<p>A3</p>  <p>Woodbar-1pc</p>	<p>A4</p>  <p>Woodbar-2pcs</p>
<p>A6</p>  <p>Woodbar-1pc</p>	<p>A7</p>  <p>Panel-3pcs</p>	<p>A8</p>  <p>Woodbar-1pc</p>
<p>A9</p>  <p>Woodbar-1pc</p>	<p>B2</p>  <p>Woodbar-1pc</p>	<p>B3</p>  <p>Woodbar-1pc</p>
<p>B4</p>  <p>Woodbar-1pc</p>	<p>B5</p>  <p>Woodbar-1pc</p>	<p>B6</p>  <p>Woodbar-1pc</p>
<p>B8</p>  <p>Woodbar-1pc</p>	<p>B9</p>  <p>Woodbar-5pcs</p>	<p>C1</p>  <p>Woodbar-1pc</p>
<p>C2</p>  <p>Woodbar-1pc</p>	<p>C5</p>  <p>Panel-1pc</p>	<p>C7</p>  <p>Woodbar-1pc</p>
<p>C8</p>  <p>Woodbar-1pc</p>	<p>C9</p>  <p>Panel-4pcs</p>	<p>D6</p>  <p>Panel-6pcs</p>
<p>E3</p>  <p>Woodbar-1pc</p>	<p>E6</p>  <p>Panel-2pcs</p>	<p>F9</p>  <p>Woodbar-1pc</p>

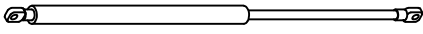
Part List & Hardware List (WF312880)

<p>A2</p>  <p>Woodbar-1pc</p>	<p>A5</p>  <p>Woodbar-2pcs</p>	<p>B1</p>  <p>Panel-1pc</p>
<p>B7</p>  <p>Panel-1pc</p>	<p>C3</p>  <p>Woodbar-2pcs</p>	<p>C4</p>  <p>Panel-1pc</p>
<p>C6</p>  <p>Woodbar-1pc</p>	<p>D1</p>  <p>Woodbar-2pcs</p>	<p>D2</p>  <p>Woodbar-2pcs</p>
<p>D3</p>  <p>Woodbar-1pc</p>	<p>D4</p>  <p>Woodbar-1pc</p>	<p>D5</p>  <p>Woodbar-3pcs</p>
<p>D7</p>  <p>Woodbar-2pcs</p>	<p>D8</p>  <p>Woodbar-1pc</p>	<p>D9</p>  <p>Woodbar-2pcs</p>
<p>E1</p>  <p>Woodbar-1pc</p>	<p>E2</p>  <p>Woodbar-1pc</p>	<p>E4</p>  <p>Woodbar-1pc</p>
<p>E5</p>  <p>Panel-1pc</p>	<p>E7</p>  <p>Woodbar-1pc</p>	<p>E8</p>  <p>Woodbar-1pc</p>

Part List & Hardware List (WF312880)

F4

500N



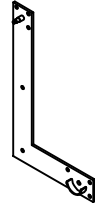
Piston Steam-2pcs

F5



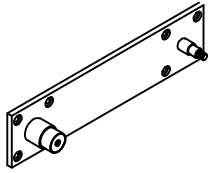
Metal corner link-1pc

F6



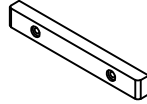
Metal corner link-1pc

F7



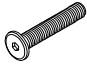
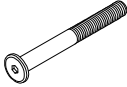
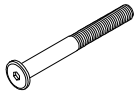
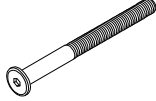
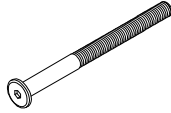
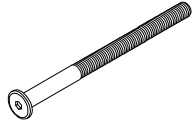

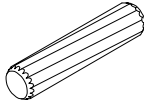
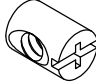
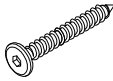
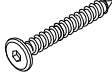
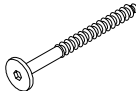
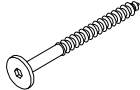
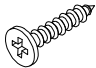
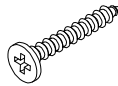
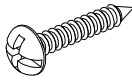
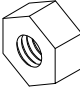


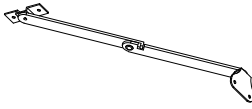
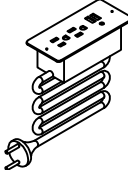
Metal corner link-2pcs

F8



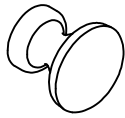
Woodbar-2pcs

Hardware List (Box 2 - WF312880)

<p>1</p>  <p>Ø1/4" x 40 mm Hex-Head bolts 1pc</p>	<p>2</p>  <p>Ø1/4" x 50 mm Hex-Head bolts 8pcs</p>	<p>3</p>  <p>Ø1/4" x 60 mm Hex-Head bolts 30pcs</p>
<p>4</p>  <p>Ø1/4" x 80 mm Hex-Head bolts 8pcs</p>	<p>5</p>  <p>Ø1/4" x 100 mm Hex-Head bolts 19pcs</p>	<p>6</p>  <p>Ø1/4" x 120 mm Hex-Head bolts 7pcs</p>
<p>7</p>  <p>Ø1/4" x 15mm Hex-Head bolts 1pc</p>	<p>8</p>  <p>Ø10 x 40 mm Wood dowel 39pcs</p>	<p>9</p>  <p>Ø1/4" x 13 mm Horizontal-Hole bolts 72pcs</p>
<p>10</p>  <p>Screws 1/4" x30 12pcs</p>	<p>11</p>  <p>Screws 1/4" x50 4pcs</p>	<p>12</p>  <p>Screws 1/4" x70 7pcs</p>
<p>13</p>  <p>Screws 1/4" x80 2pcs</p>	<p>14</p>  <p>M4 x 20 mm Wood Screws 36pcs</p>	<p>15</p>  <p>M4 x 30mm Wood Screws 26pcs</p>
<p>16</p>  <p>M4 x 20 mm Wood Screws 14pcs</p>	<p>17</p>  <p>Nut 4pcs</p>	<p>18</p>  <p>Bearings 2pcs</p>
<p>19</p>  <p>Allen Key 2pcs</p>	<p>20</p>  <p>Metal Chicken leg 1pc</p>	<p>21</p>  <p>USB 1pc</p>

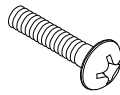
Hardware List (Box 2 - WF312880)

22



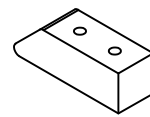
Handle Wood 1pc

23



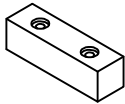
M4 x 32mm
Wood Screws 1pc

24



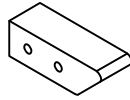
Stop Wood 1pc

25



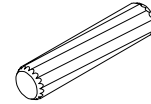
Stop Wood 1pc

26



Stop Wood 1pc

27



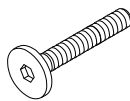
Ø8 x 30 mm
Wood dowel 4pcs

28



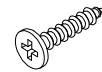
Ø20 / Ø6 x 5mm
Washer 1pc

29



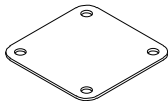
Ø1/3" x 40 mm
Hex-Head bolts 2pcs

30

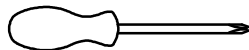


M3.5 x 12mm
Wood Screws 10pcs

31

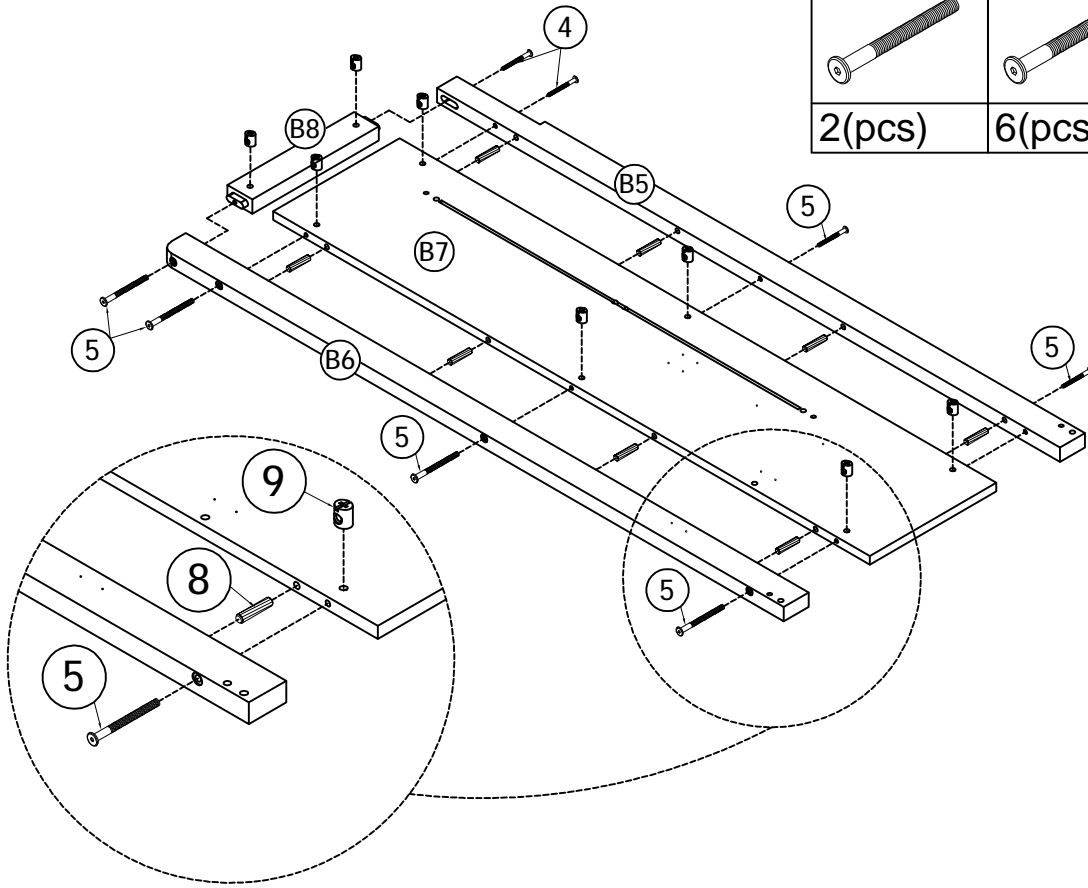


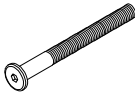
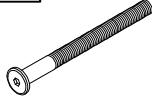

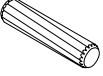
Metal plate 1pc



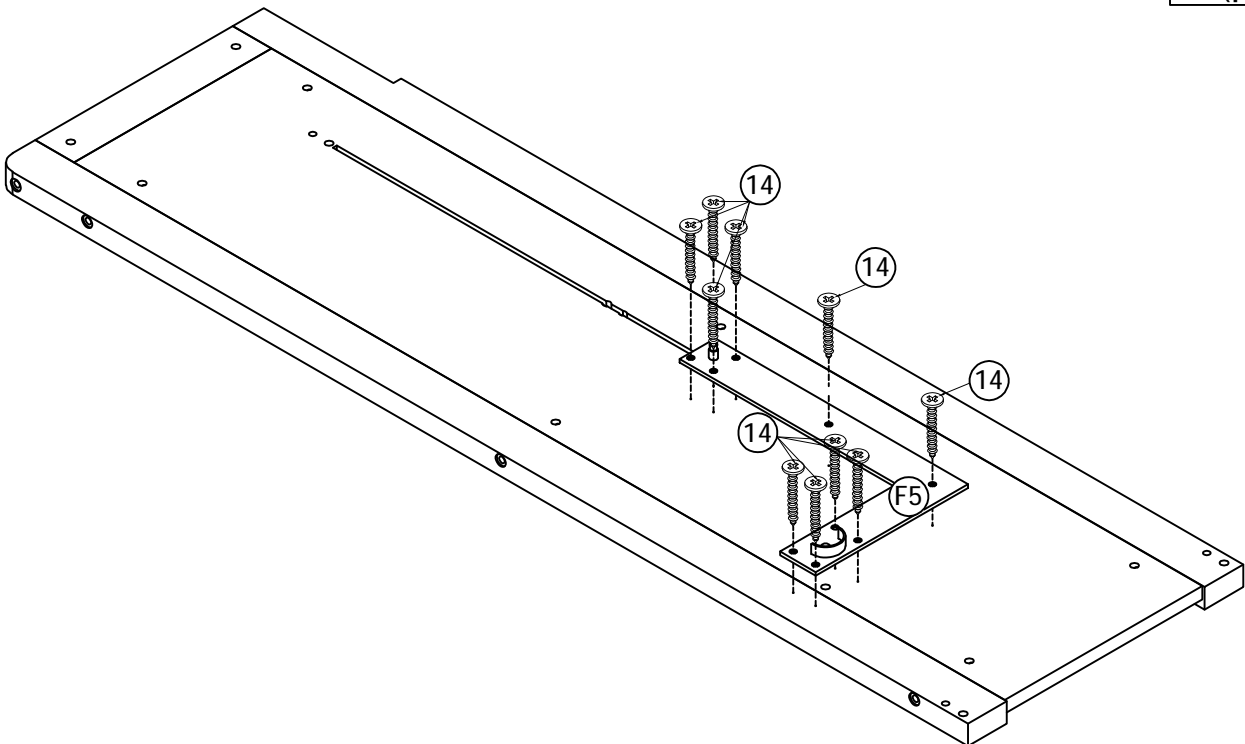
Assembly Tools Required (Not Included)

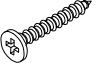
STEP1: Following below illustration.



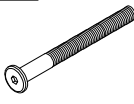
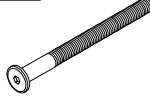

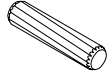
4	5	9
		
2(pcs)	6(pcs)	8(pcs)
		8
		
		8(pcs)

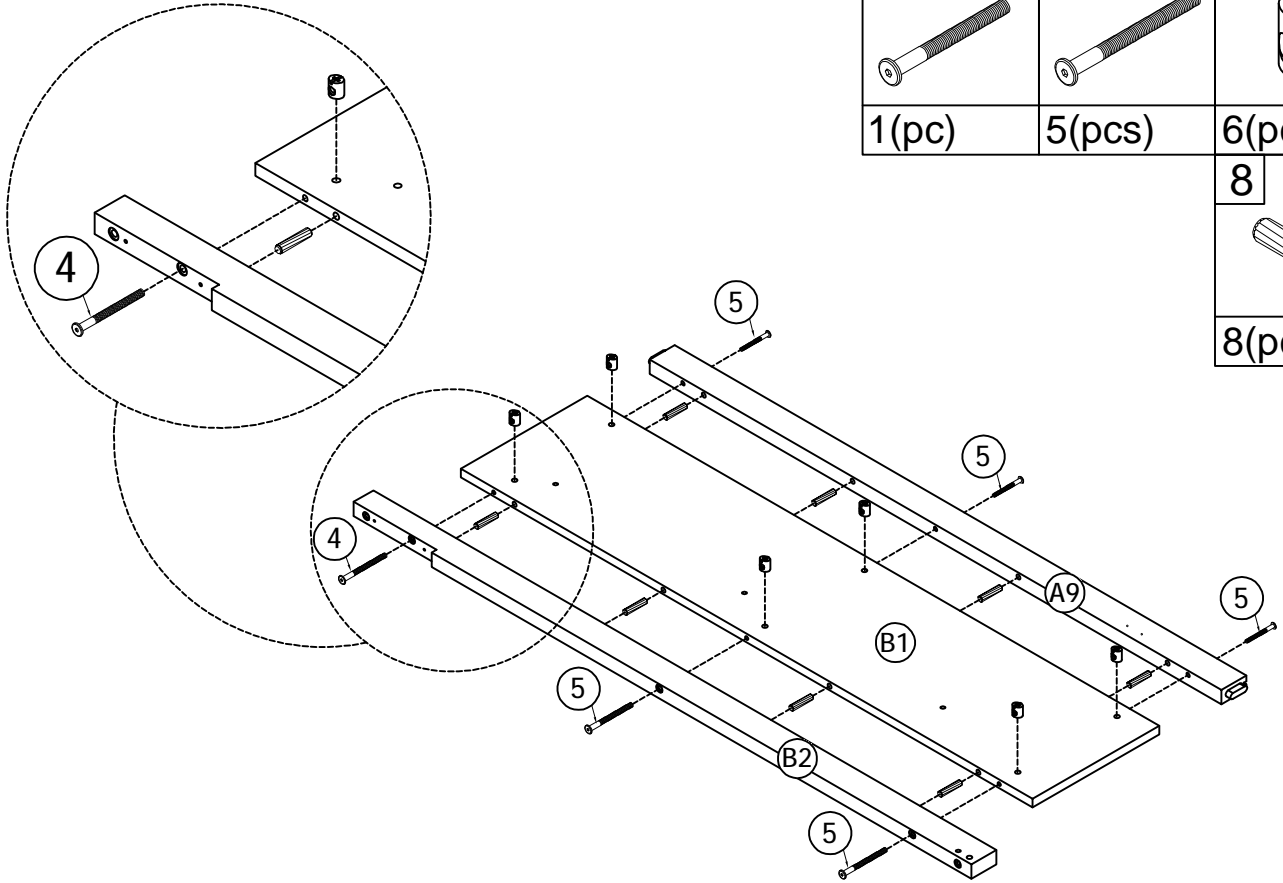
STEP2: Following below illustration.



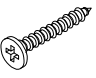
14

10(pcs)

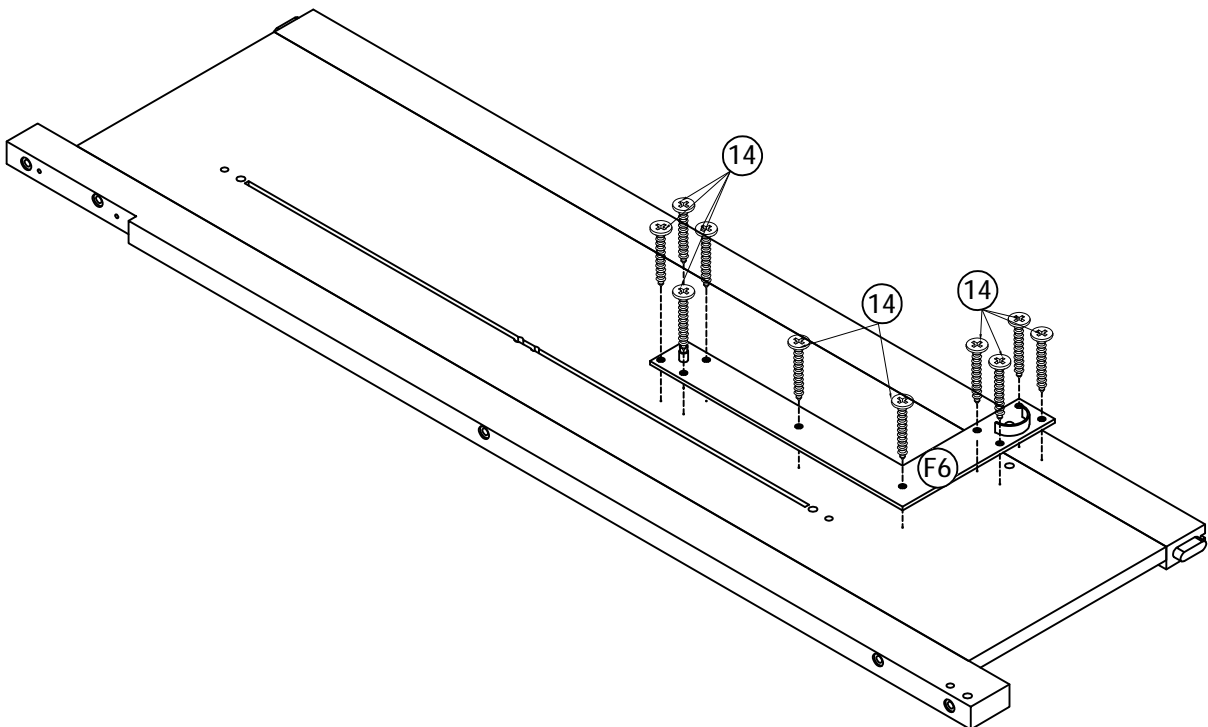
STEP3: Following below illustration.

4 	5 	9 
1(pc)	5(pcs)	6(pcs)
		8 
		8(pcs)



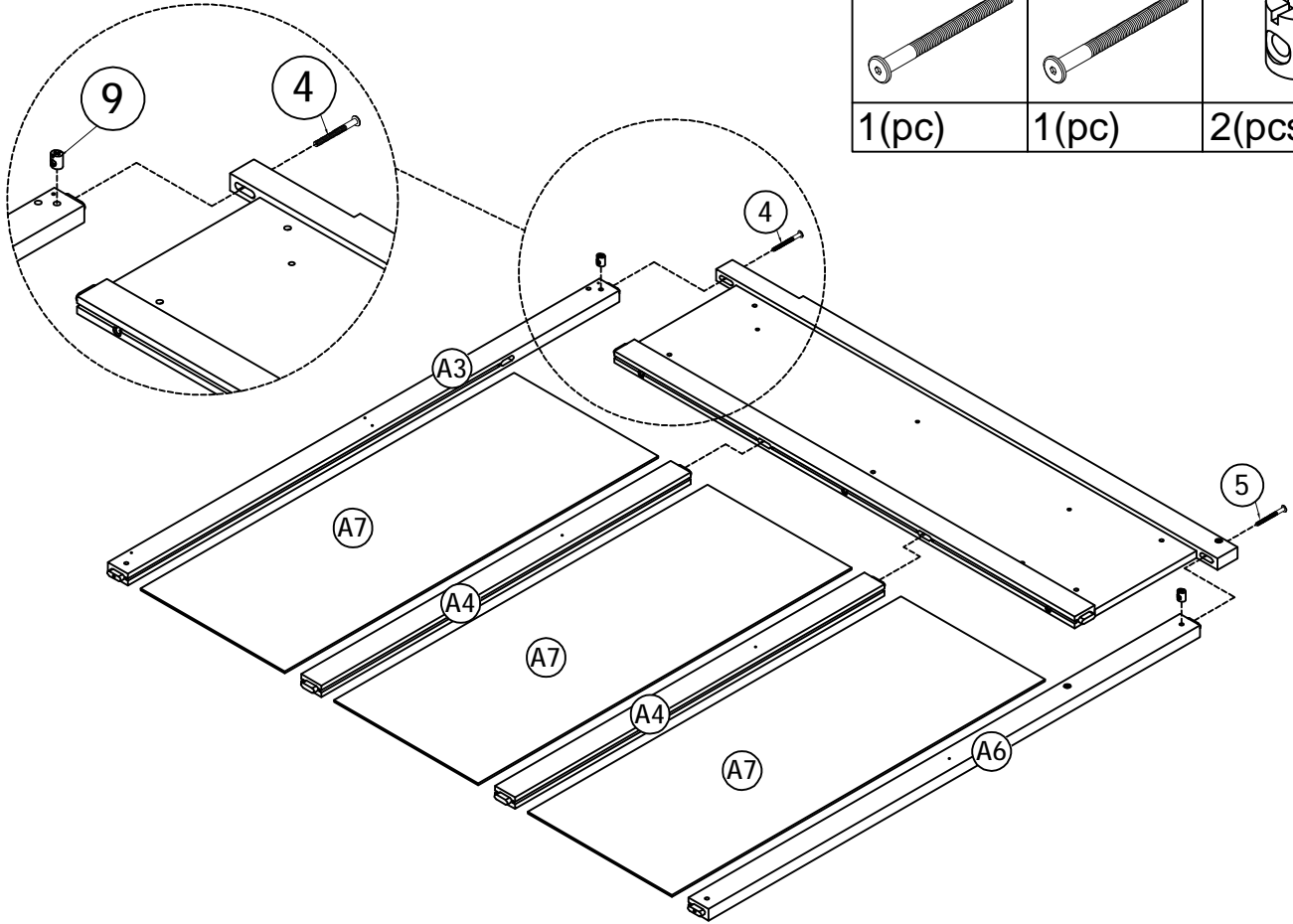
STEP4: Following below illustration.

14 
10(pcs)



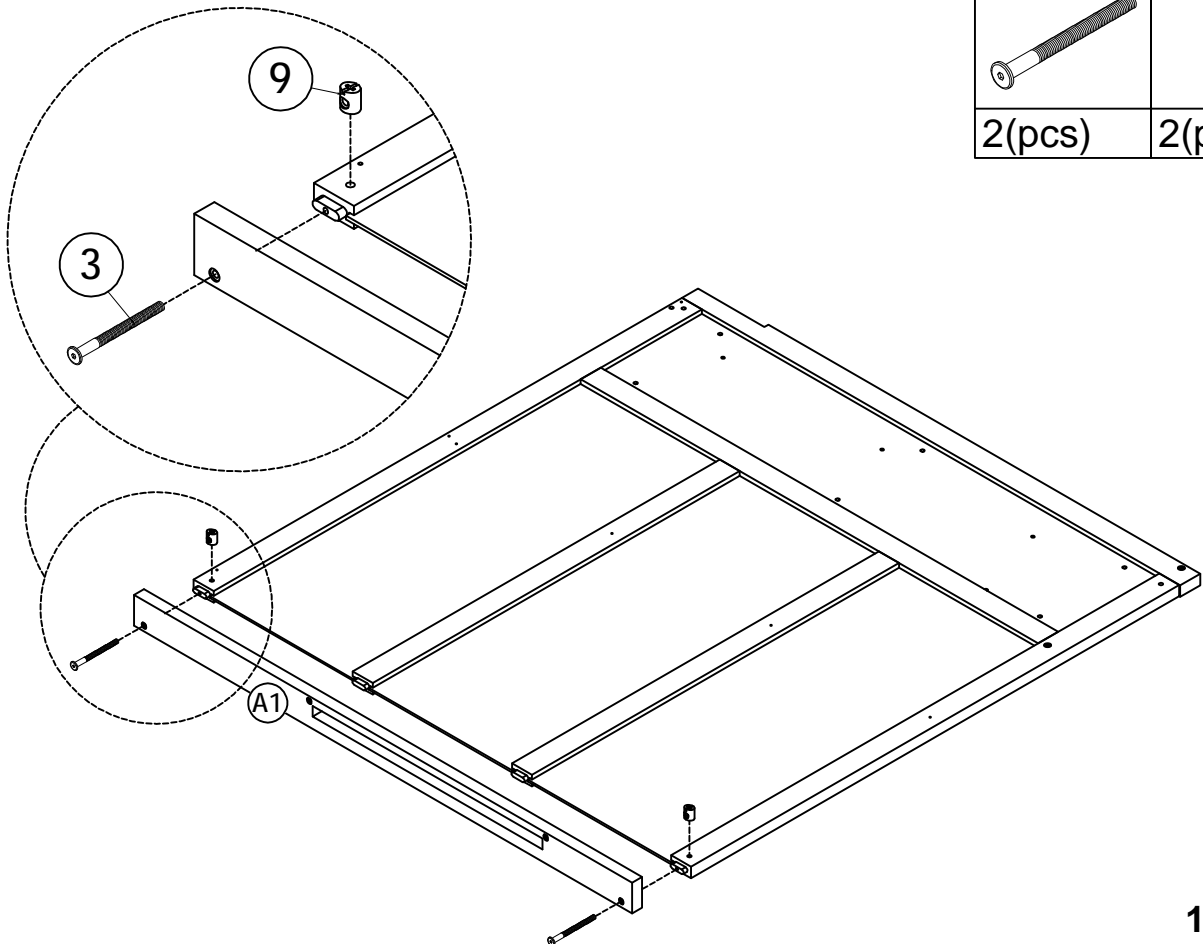
STEP5: Following below illustration.

4	5	9
1(pc)	1(pc)	2(pcs)

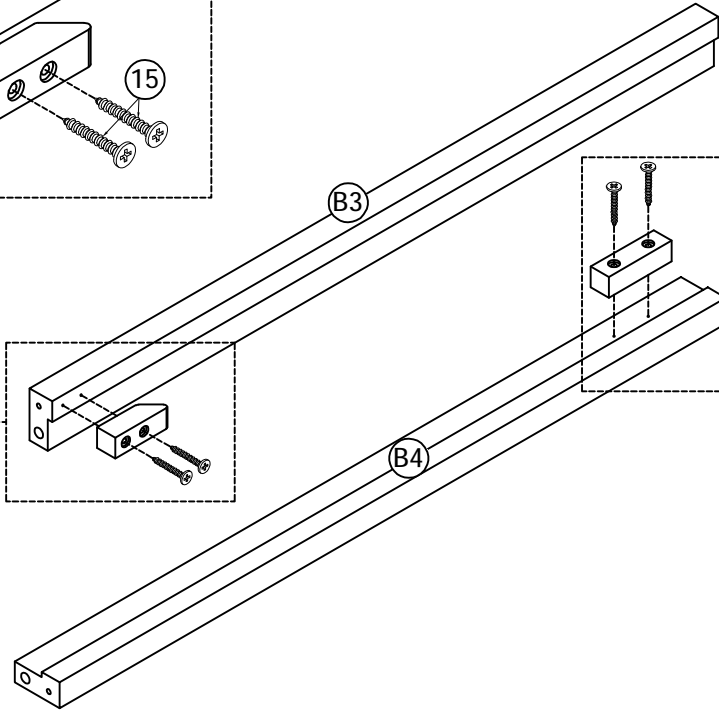
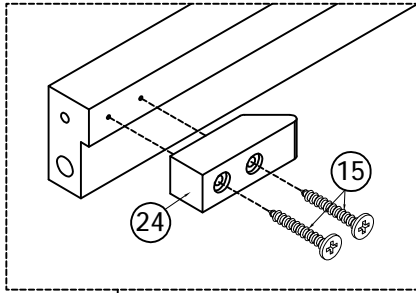



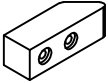
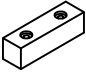
STEP6: Following below illustration.

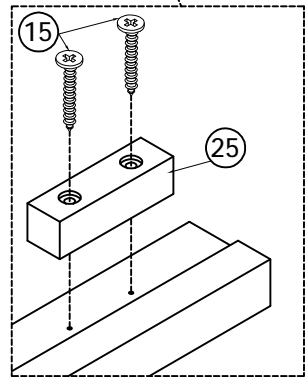
3	9
2(pcs)	2(pcs)



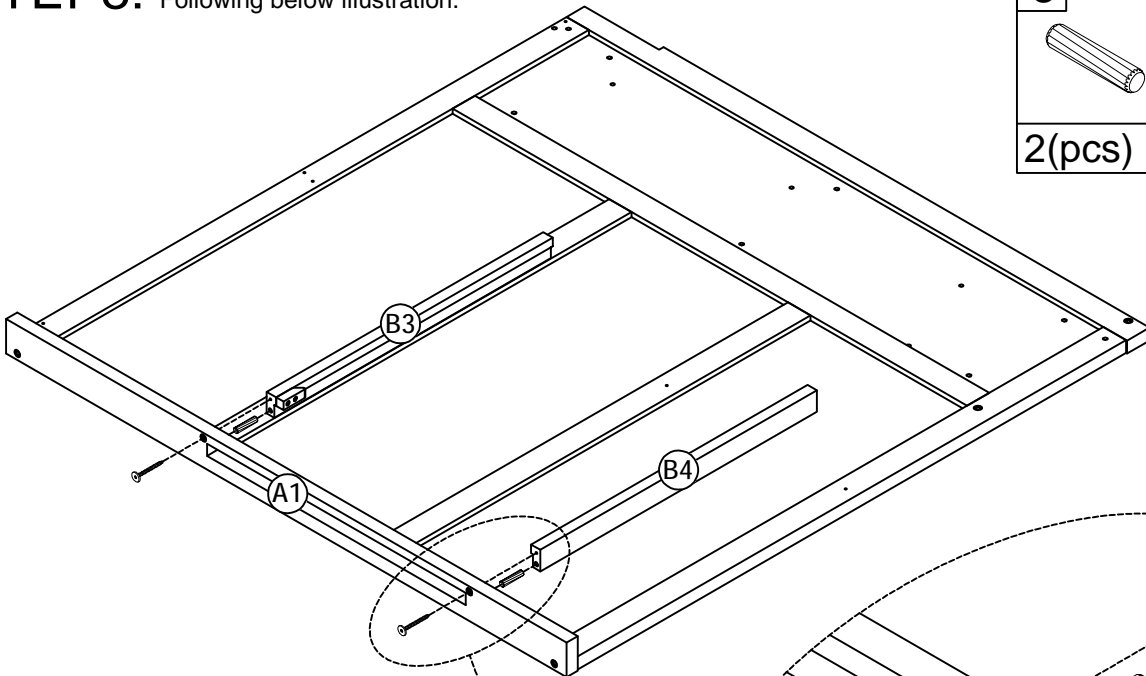
STEP7: Following below illustration.

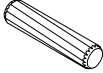



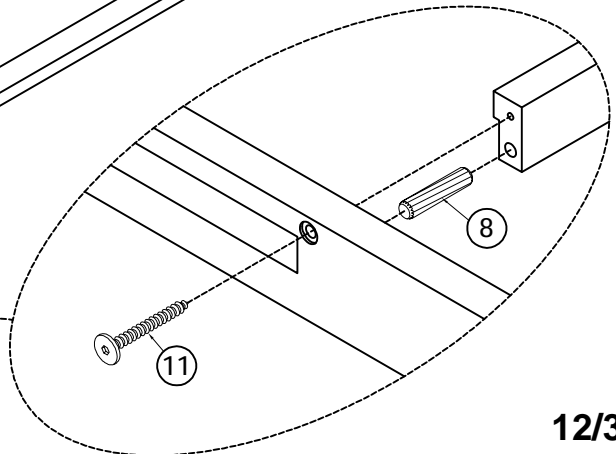
15	24
	
4(pcs)	1(pc)
	25
	
	1(pc)



STEP8: Following below illustration.

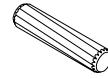


8	11
	
2(pcs)	2(pcs)



STEP9: Following below illustration.

8

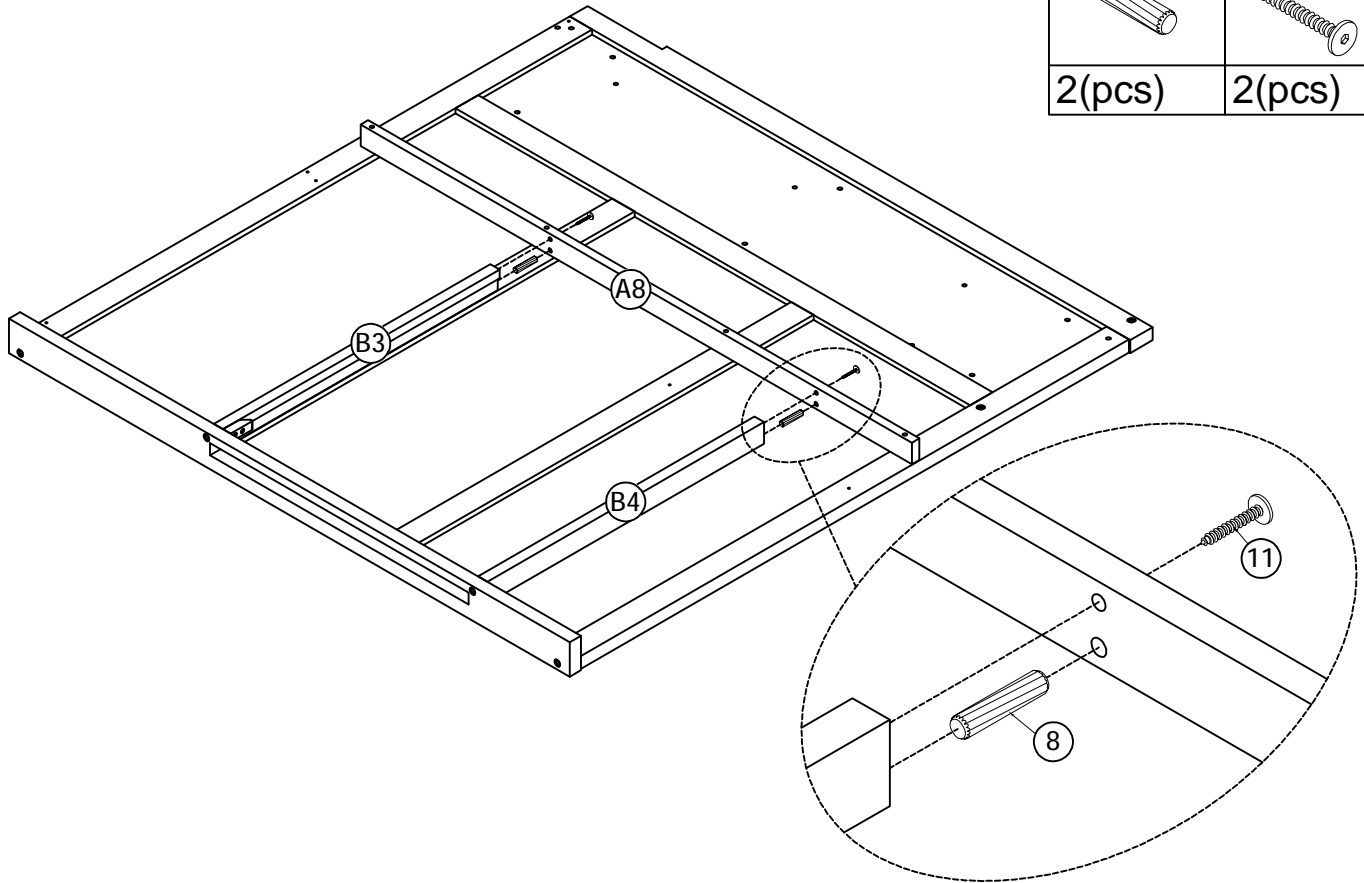


2(pcs)

11

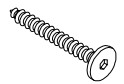


2(pcs)

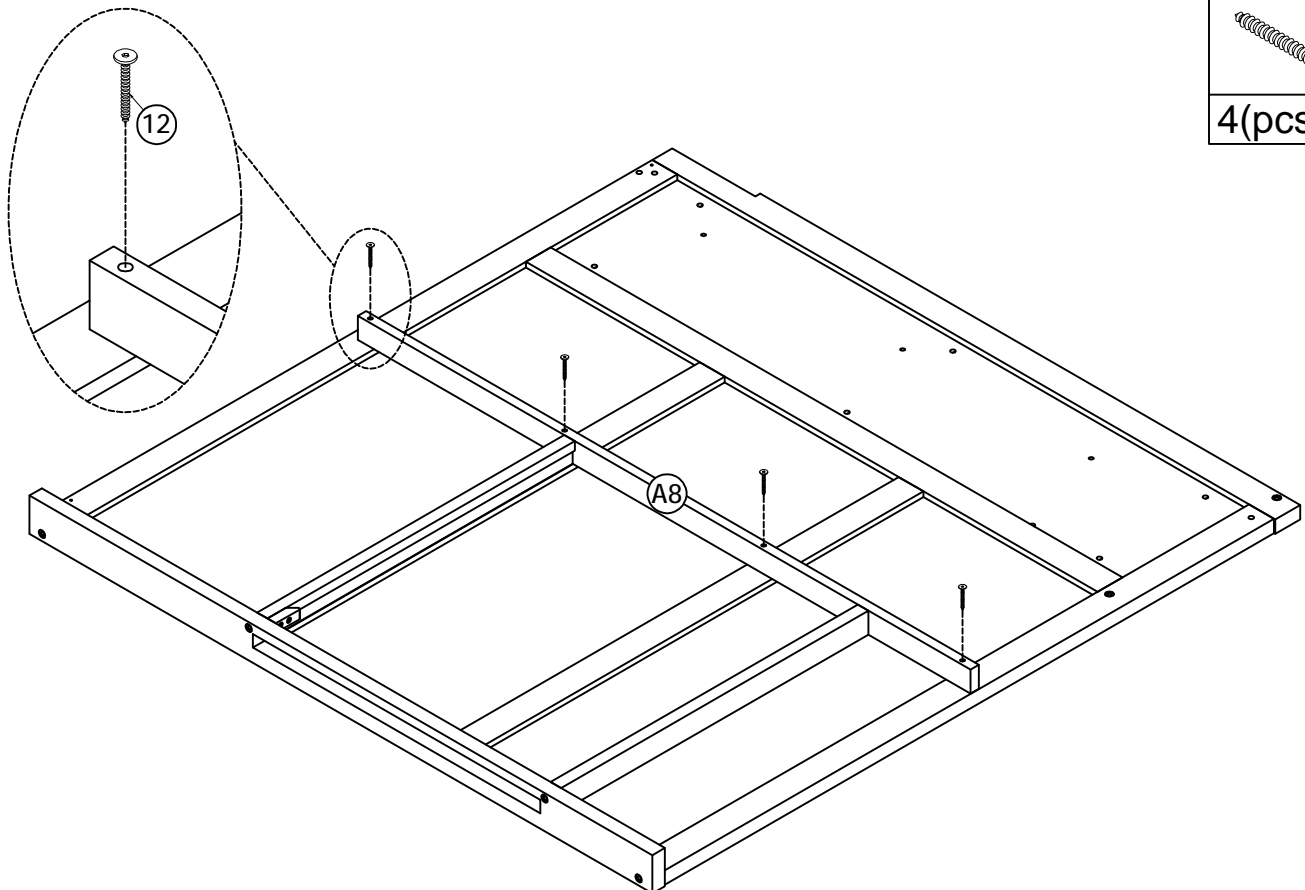


STEP10: Following below illustration.

12

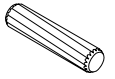


4(pcs)

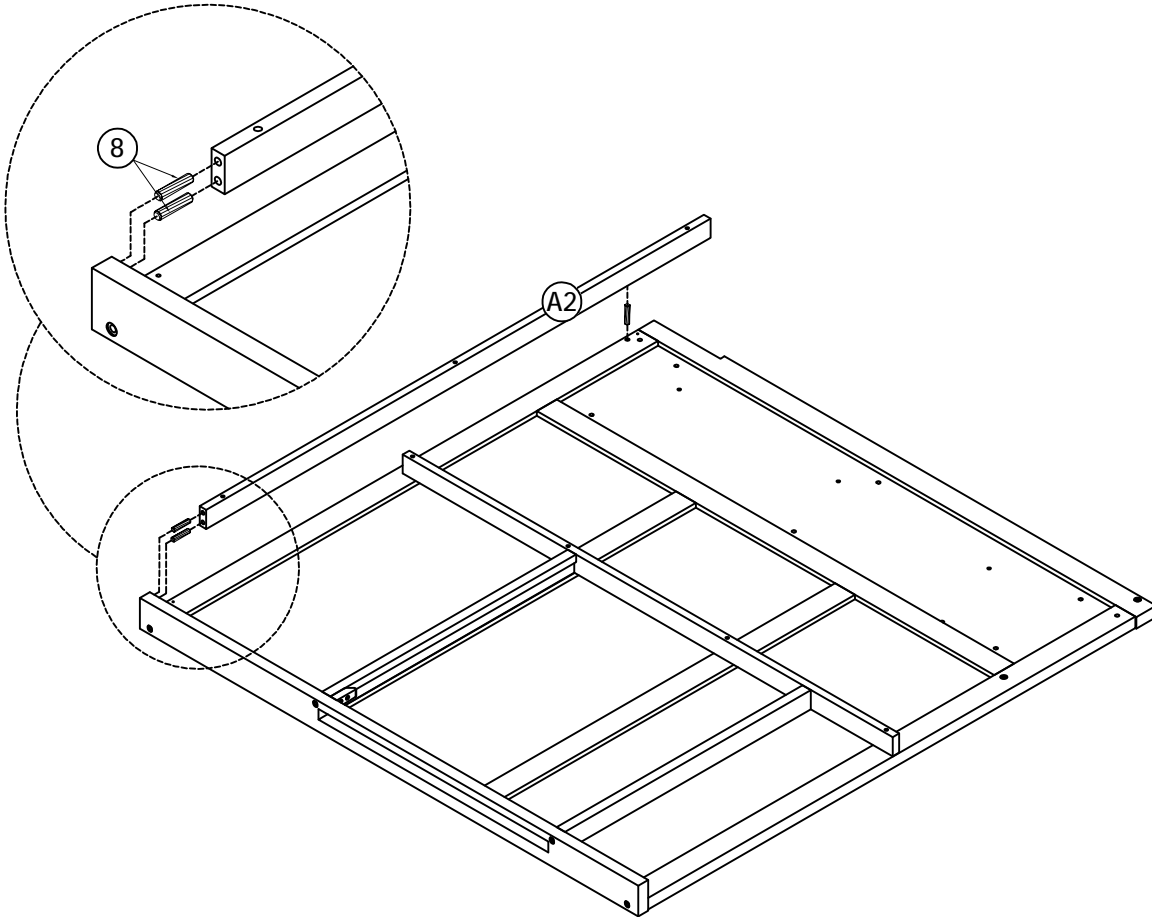


STEP11: Following below illustration.

8

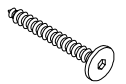


3(pcs)

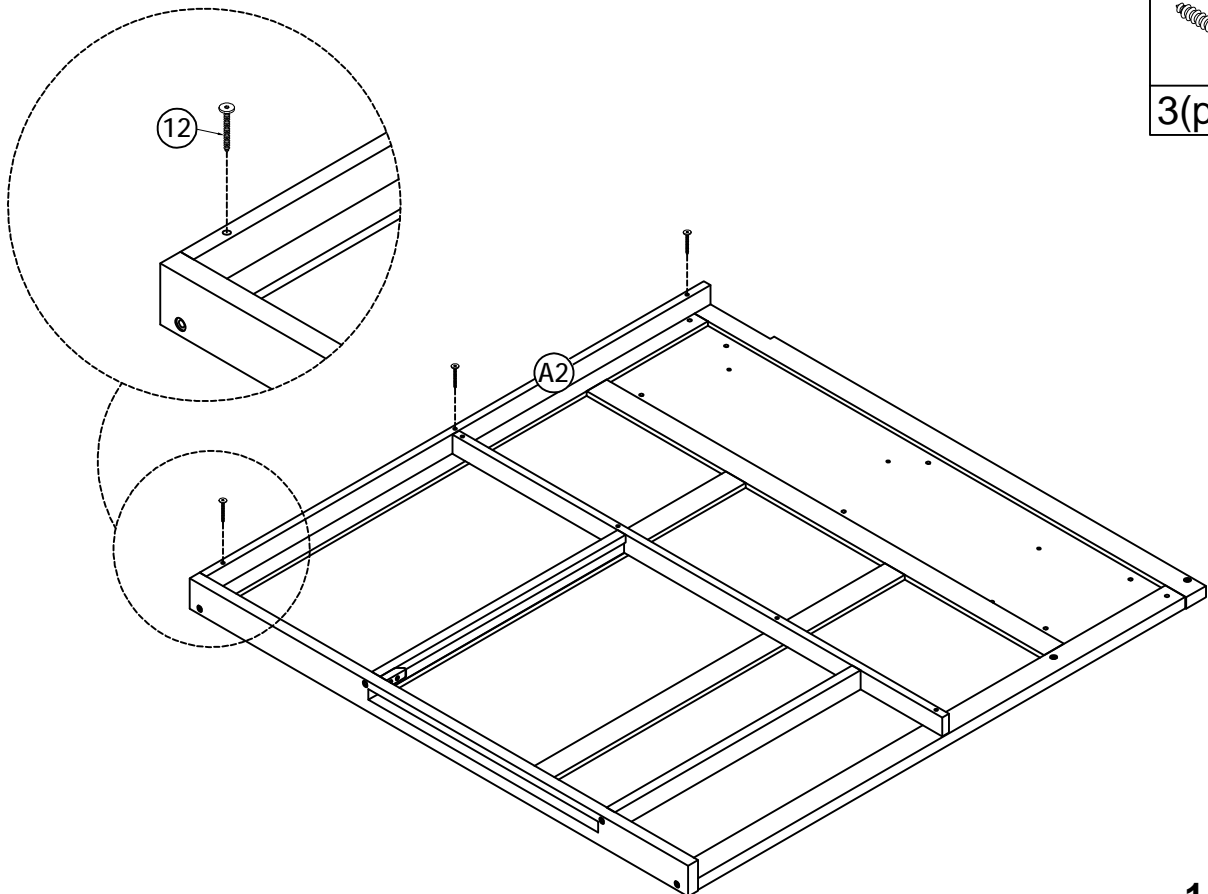


STEP12: Following below illustration.

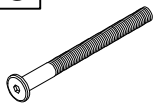

12

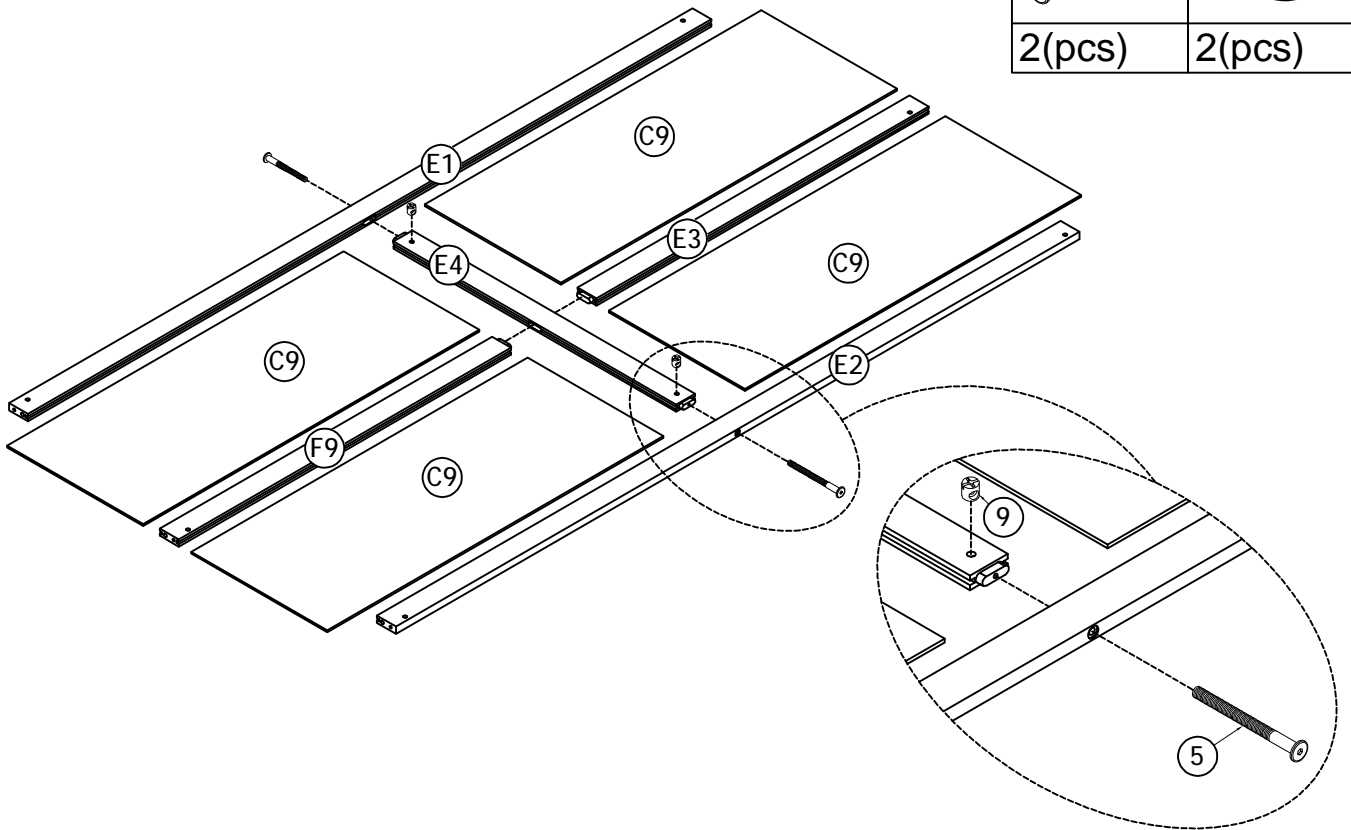


3(pcs)

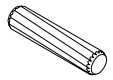
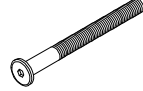
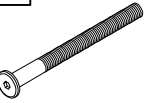



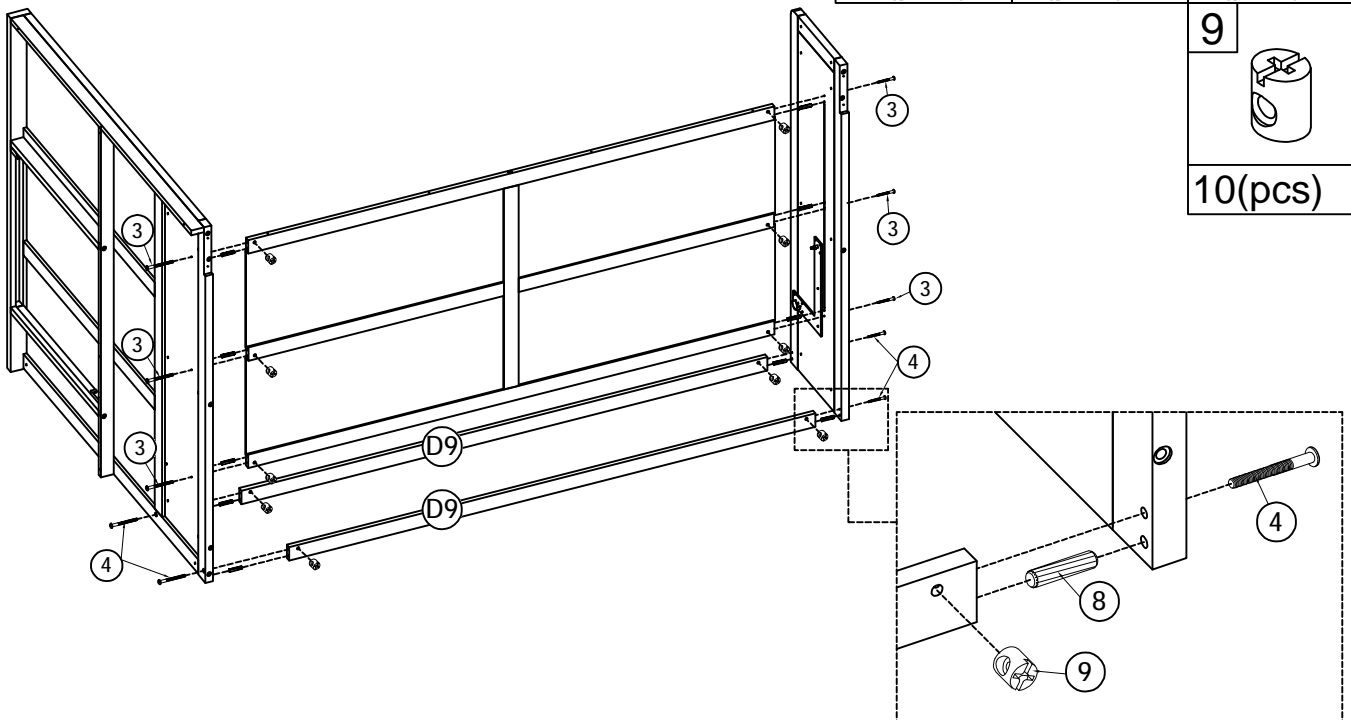
STEP13: Following below illustration.

5		9	
2(pcs)		2(pcs)	

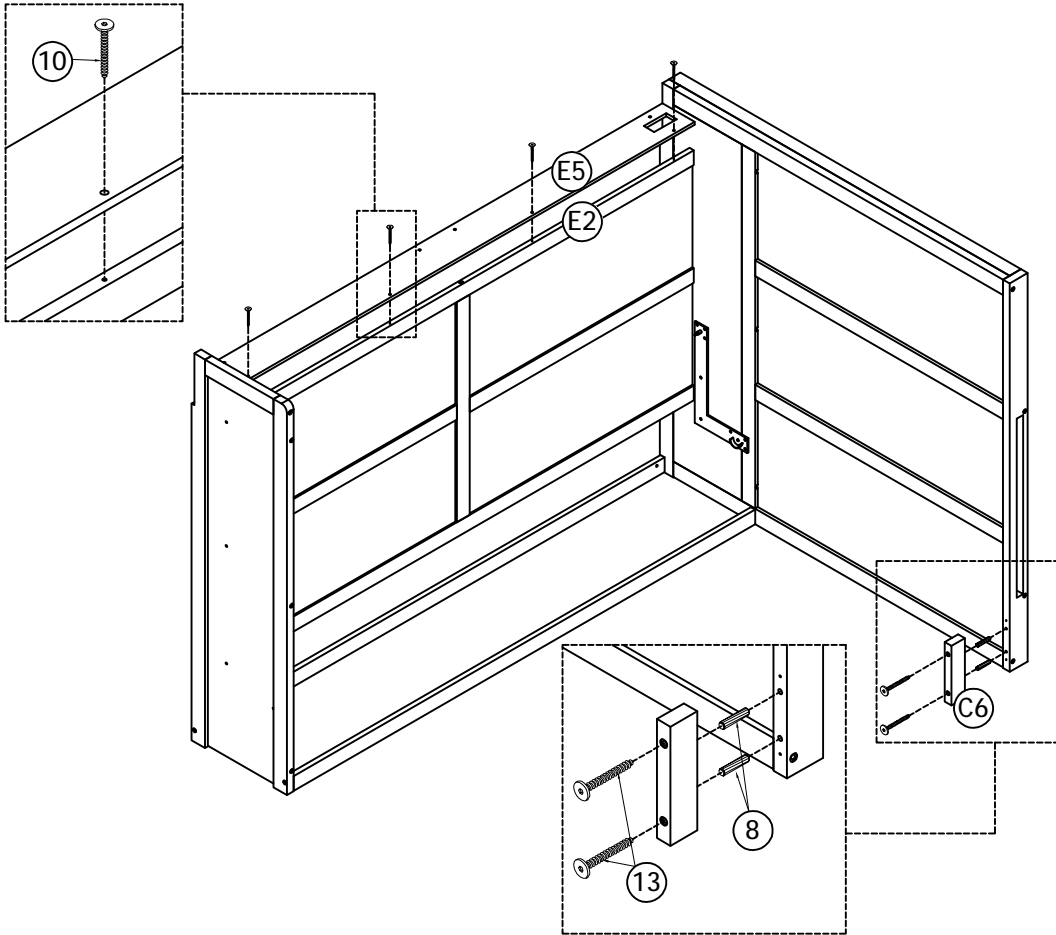



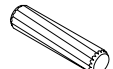

STEP14: Following below illustration.

8		3		4	
10(pcs)		6(pcs)		4(pcs)	
				9	
				10(pcs)	

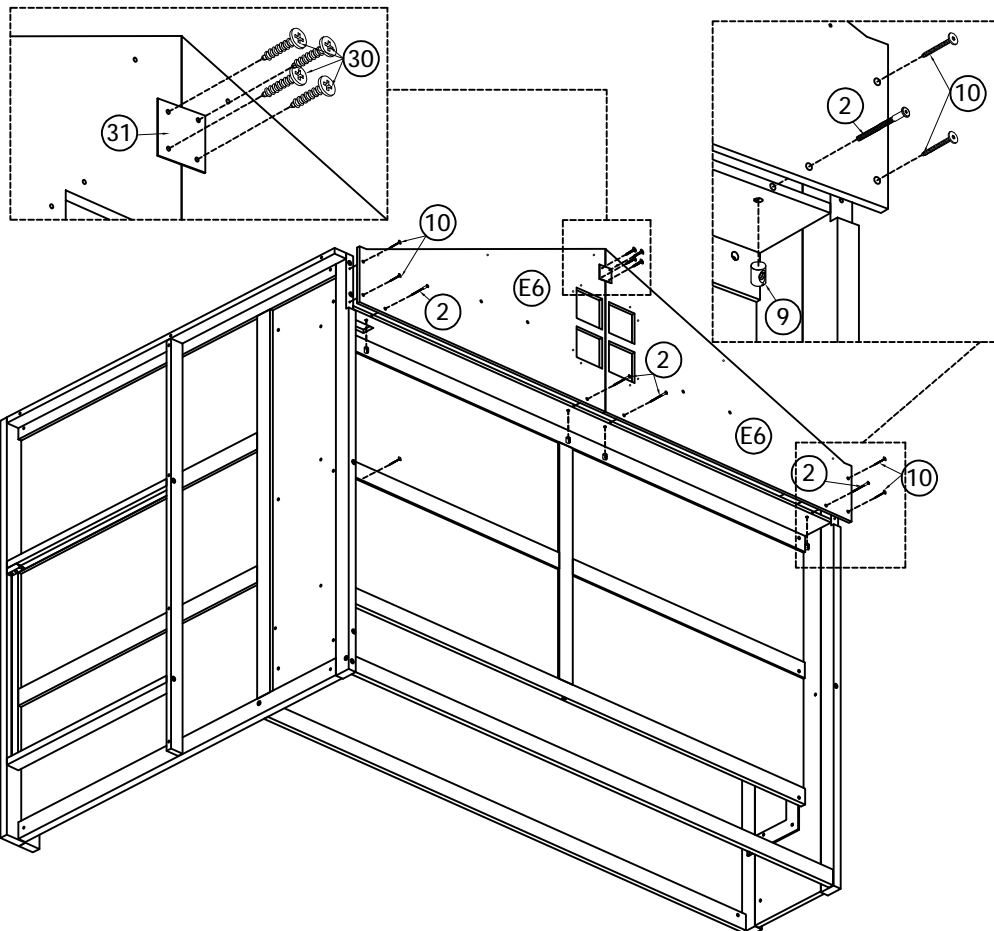


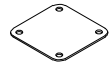


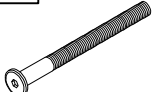

STEP15: Following below illustration.



10	
4(pcs)	
8	
2(pcs)	
13	
2(pcs)	

STEP16: Following below illustration.



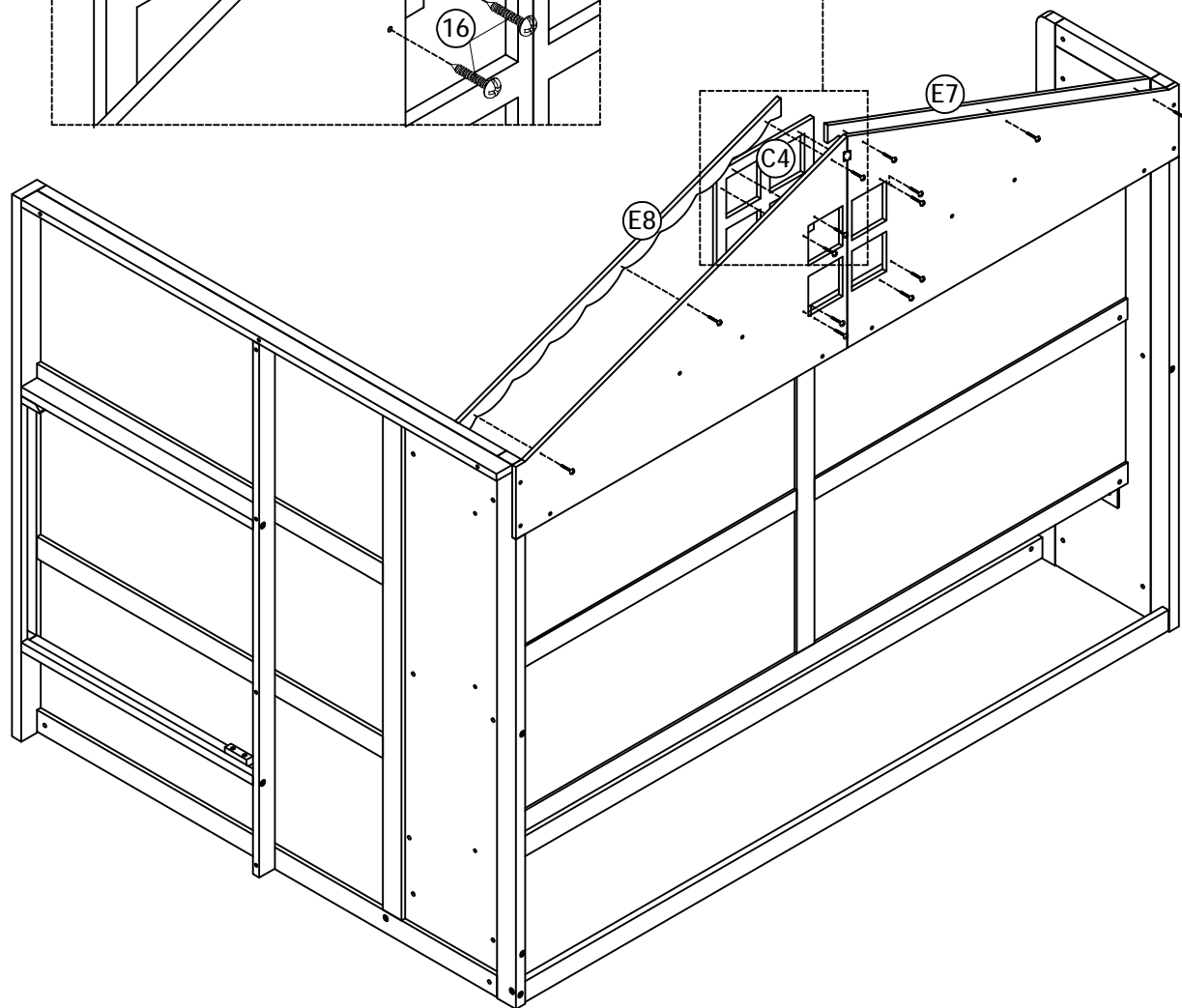
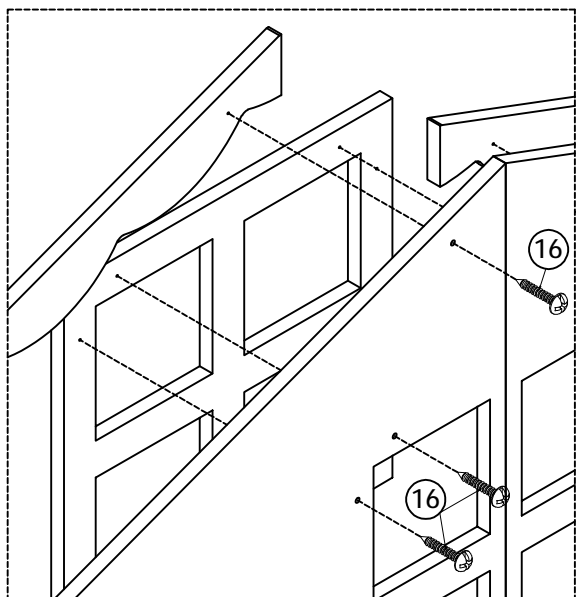
31		10	
1(pc)		4(pcs)	
30		2	
4(pcs)		4(pcs)	
		9	
		4(pcs)	

STEP17: Following below illustration.

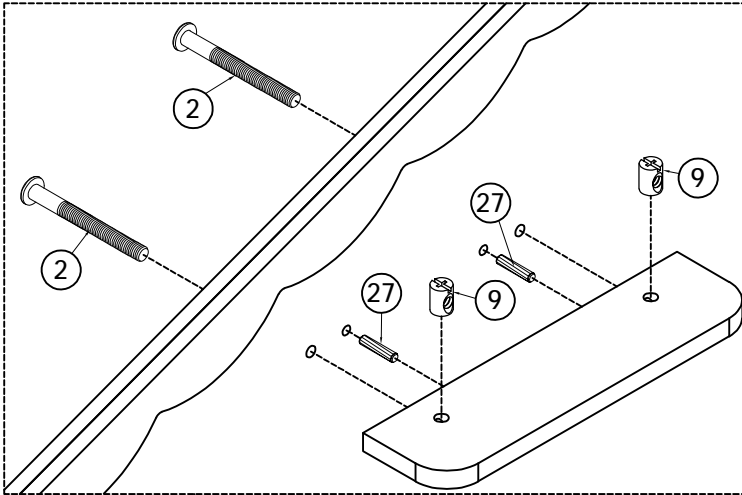
16



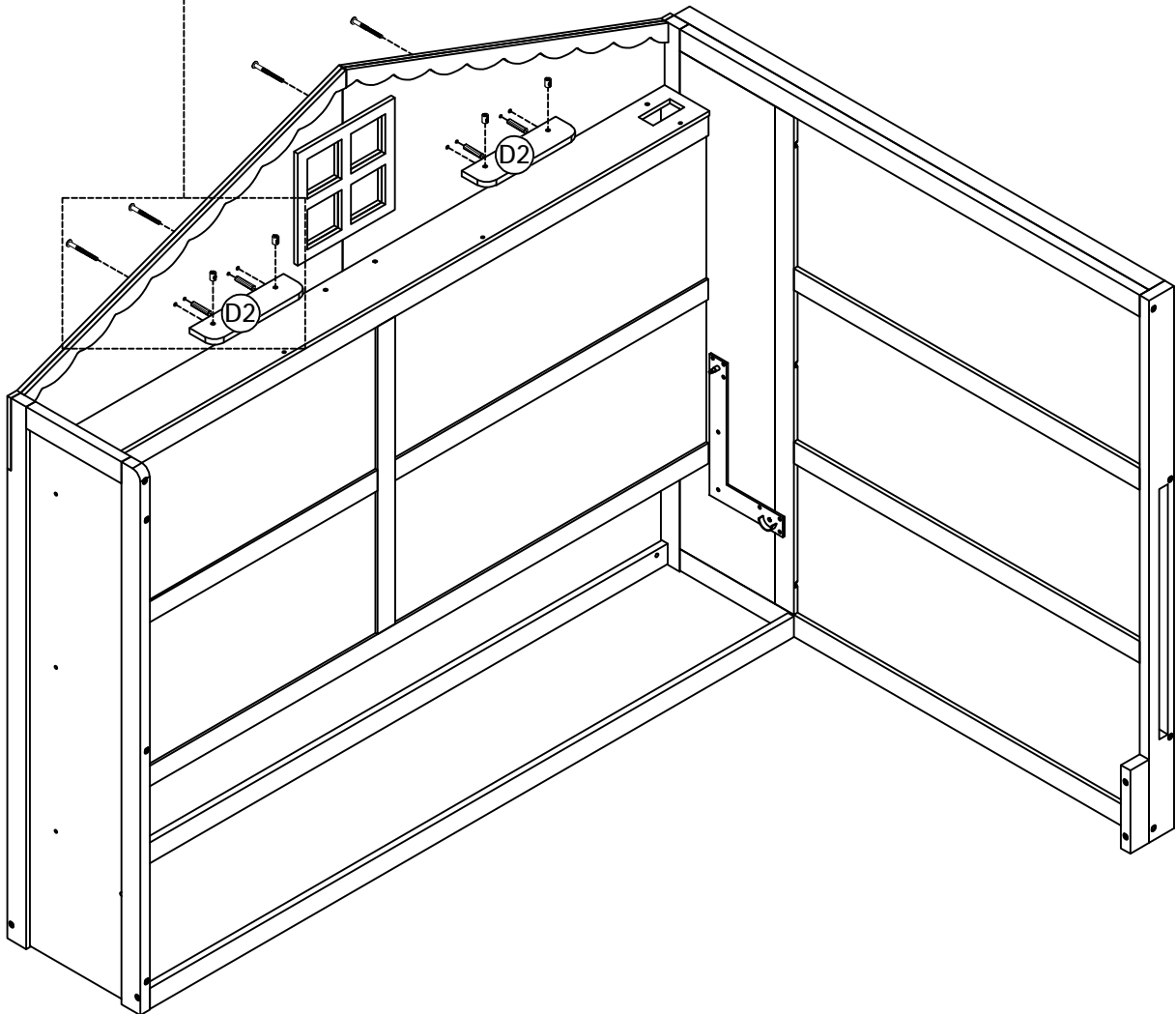
14(pcs)




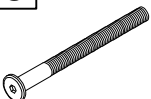
STEP18: Following below illustration.

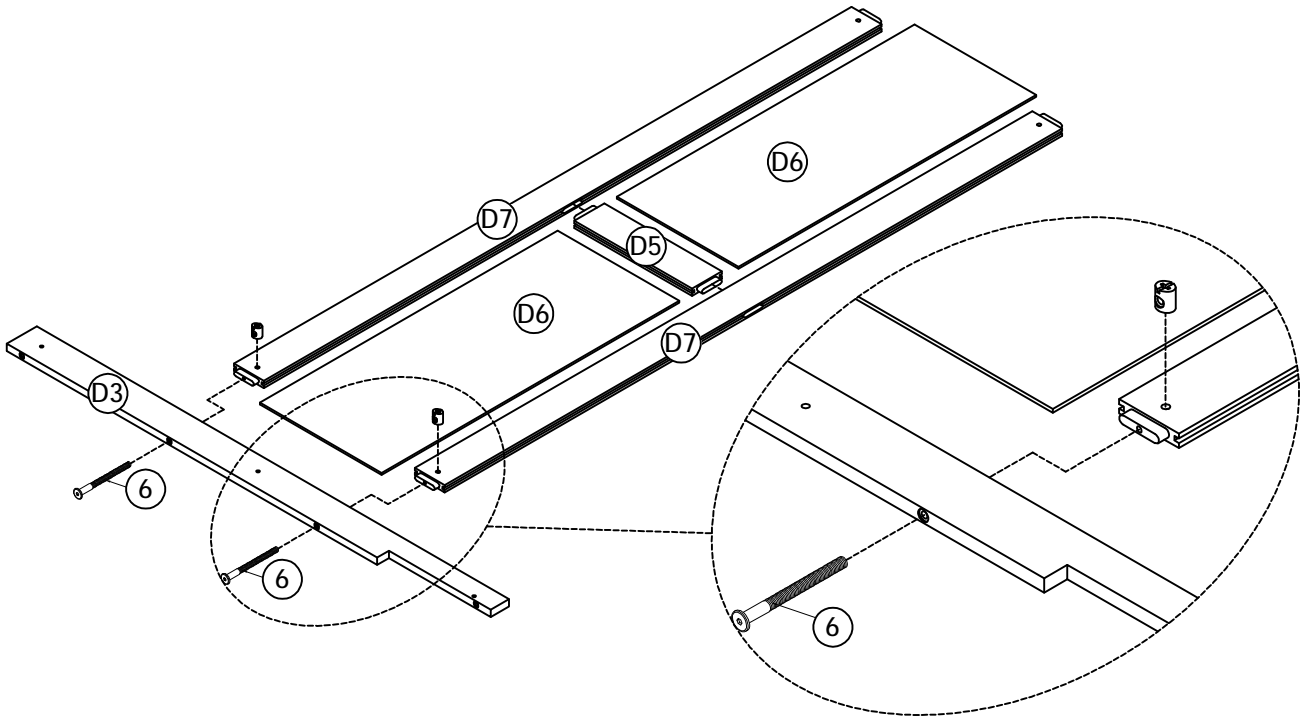


27	2
4(pcs)	4(pcs)
	9
	4(pcs)


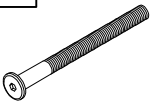
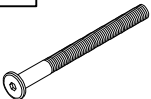


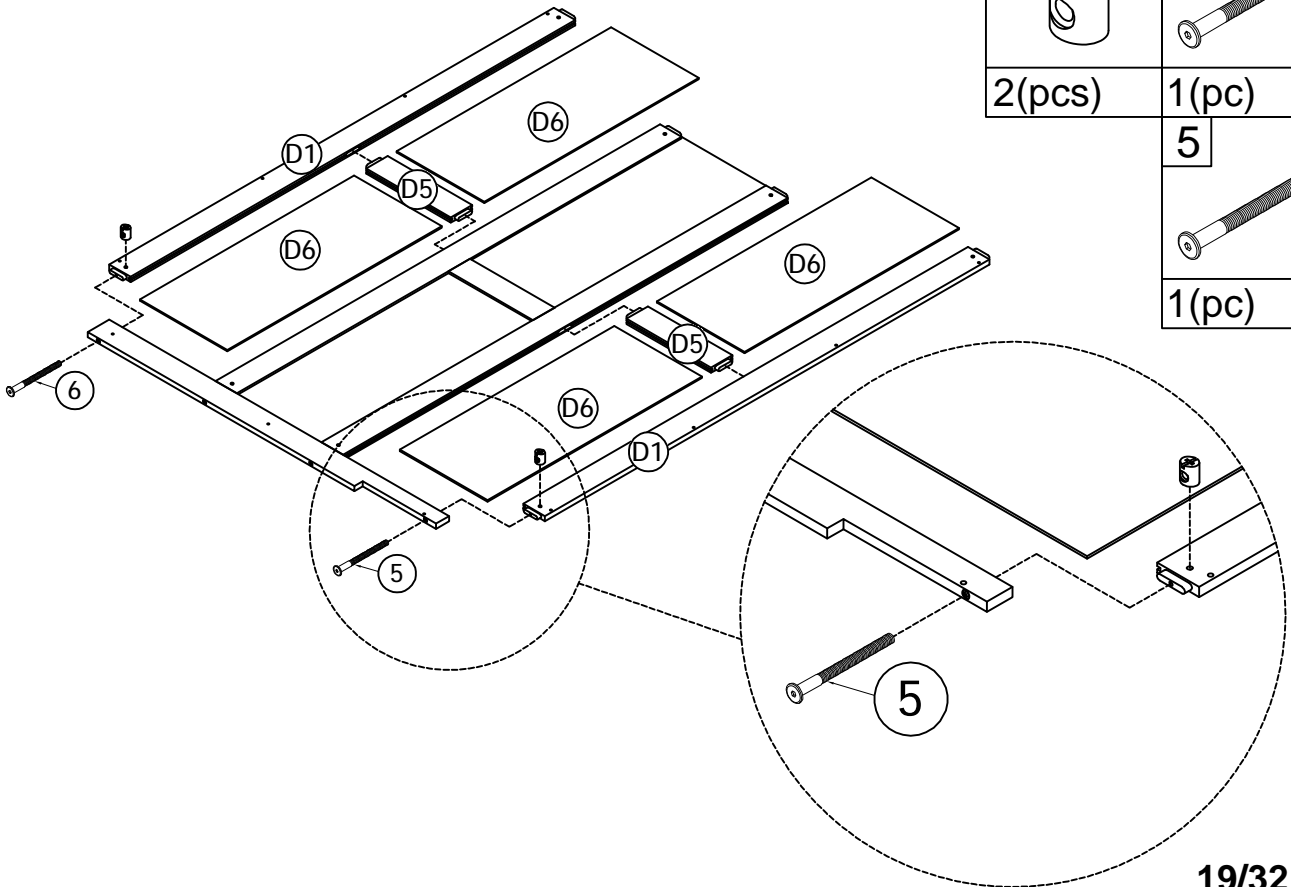
STEP19: Following below illustration.

9		6	
2(pcs)		2(pcs)	


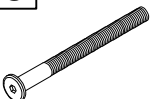


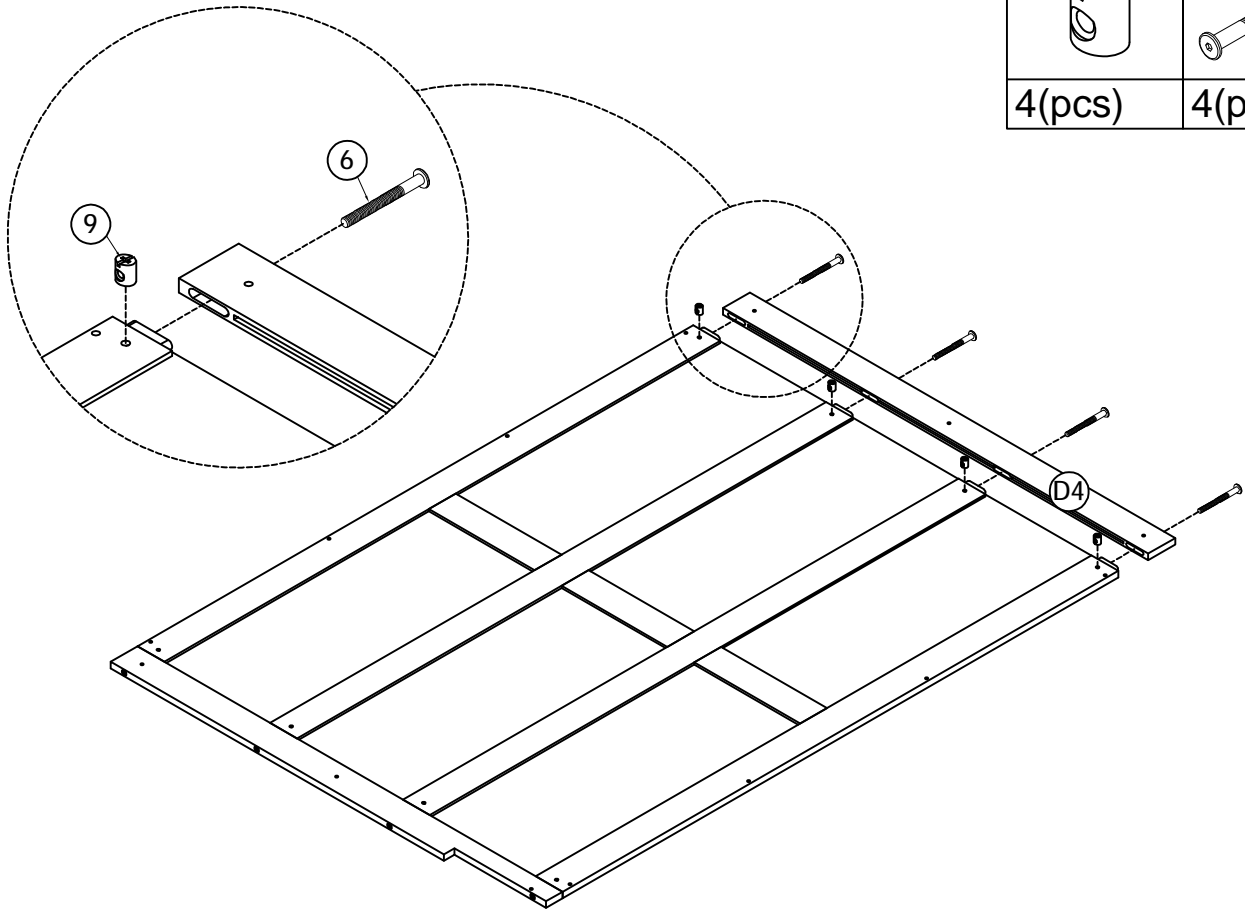
STEP20: Following below illustration.

9		6	
2(pcs)		1(pc)	
		5	
		1(pc)	

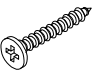


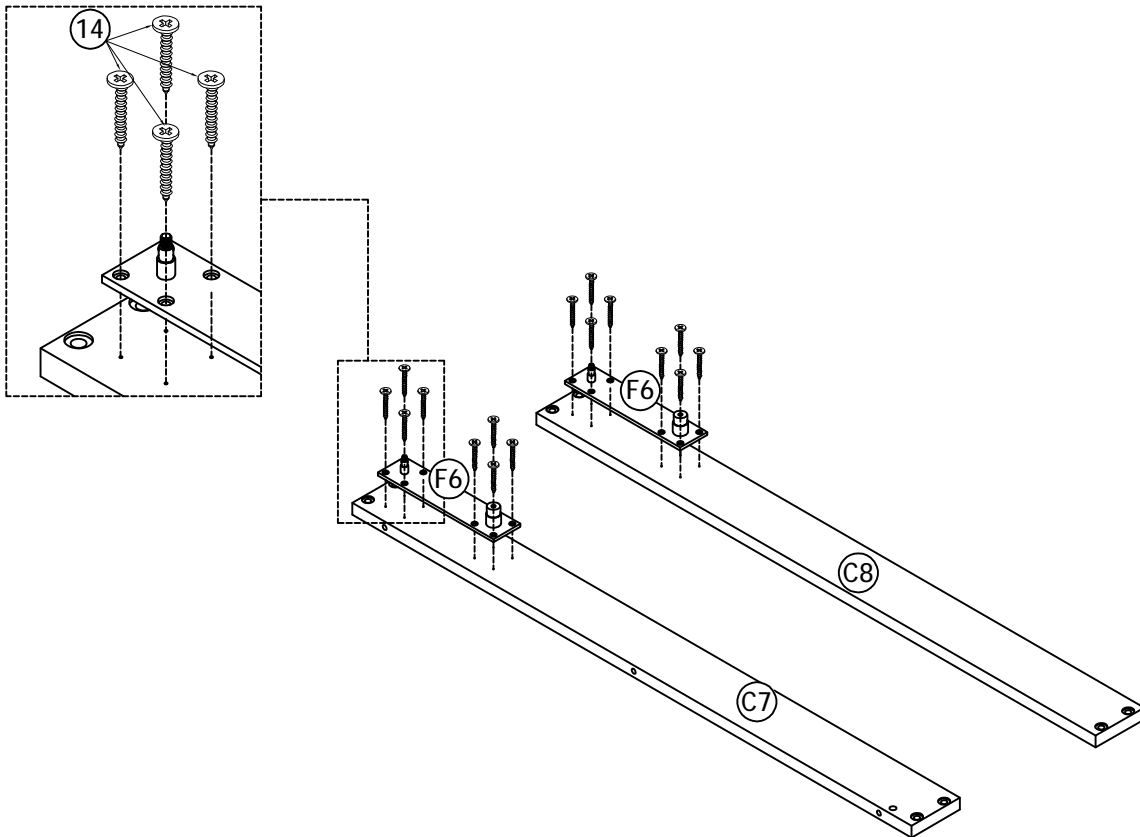
STEP21: Following below illustration.

9		6	
4(pcs)		4(pcs)	

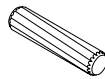
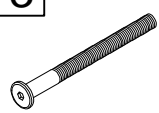



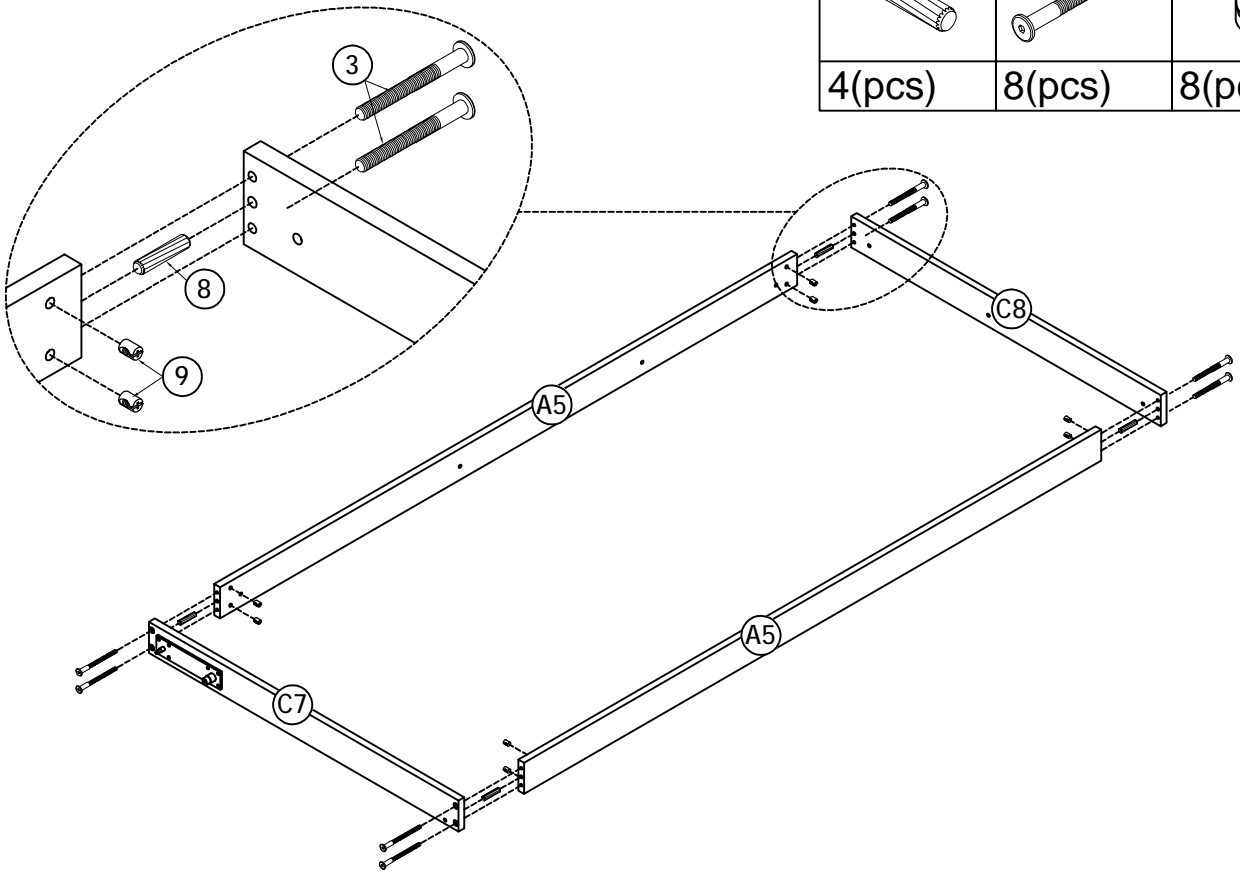
STEP22: Following below illustration.

14	
16(pcs)	

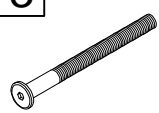



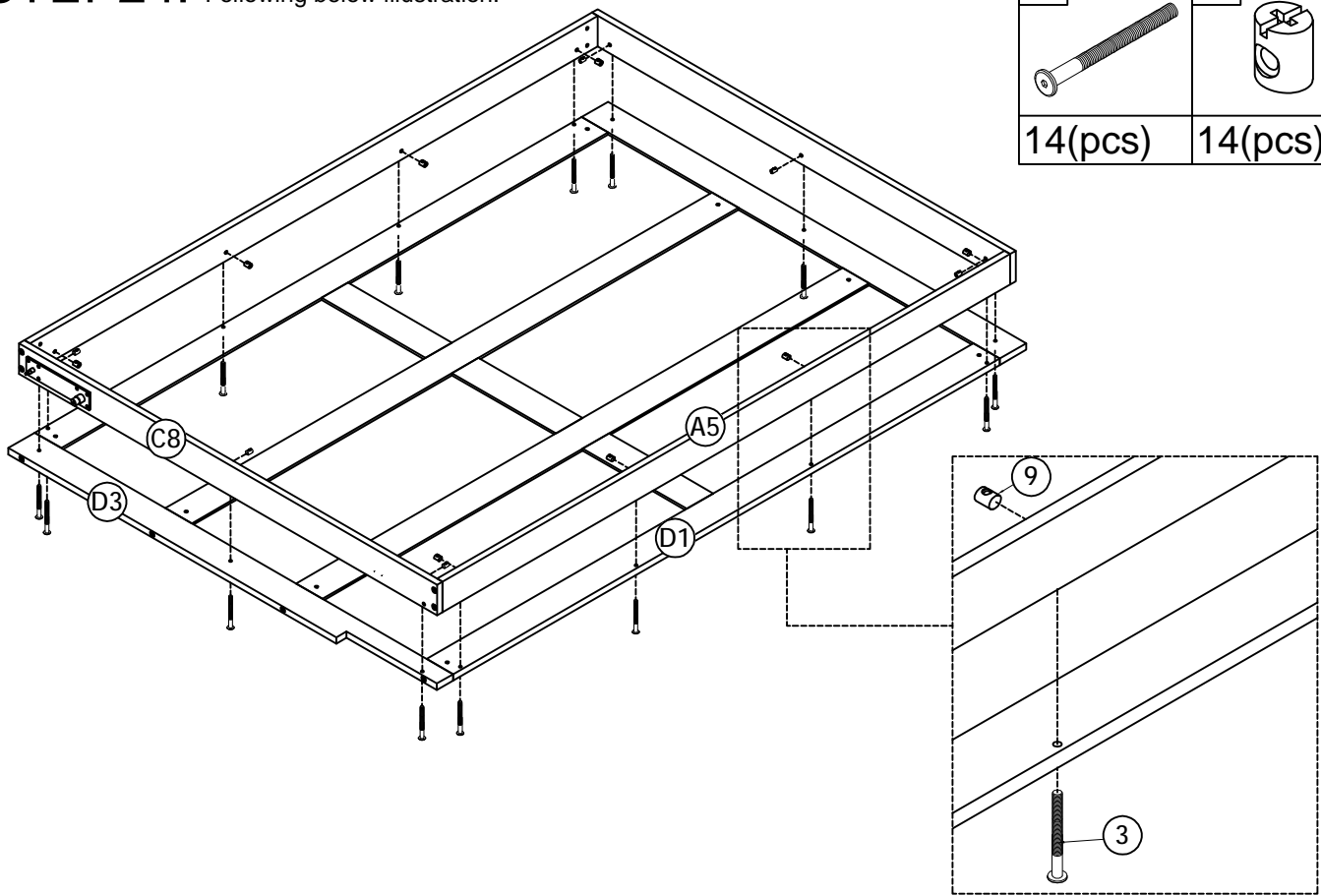
STEP23: Following below illustration.

8	3	9
		
4(pcs)	8(pcs)	8(pcs)

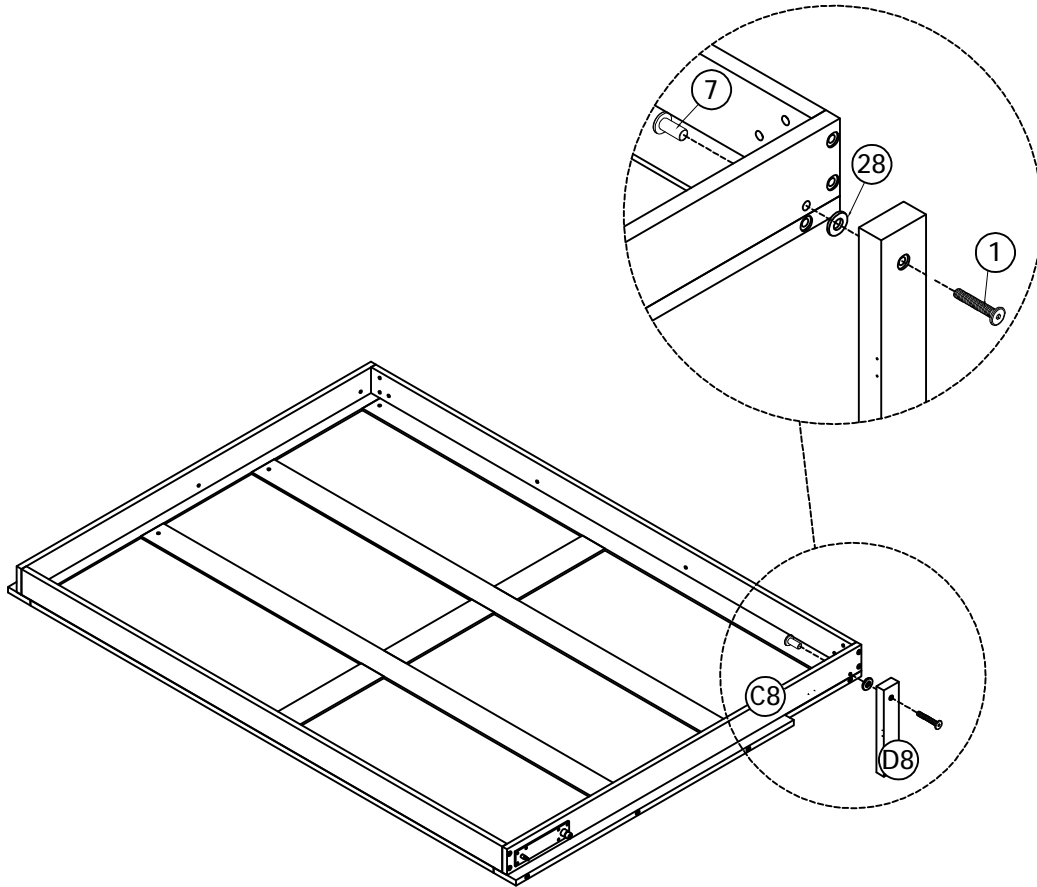


STEP24: Following below illustration.

3	9
	
14(pcs)	14(pcs)



STEP25: Following below illustration.



7



1(pc)

1



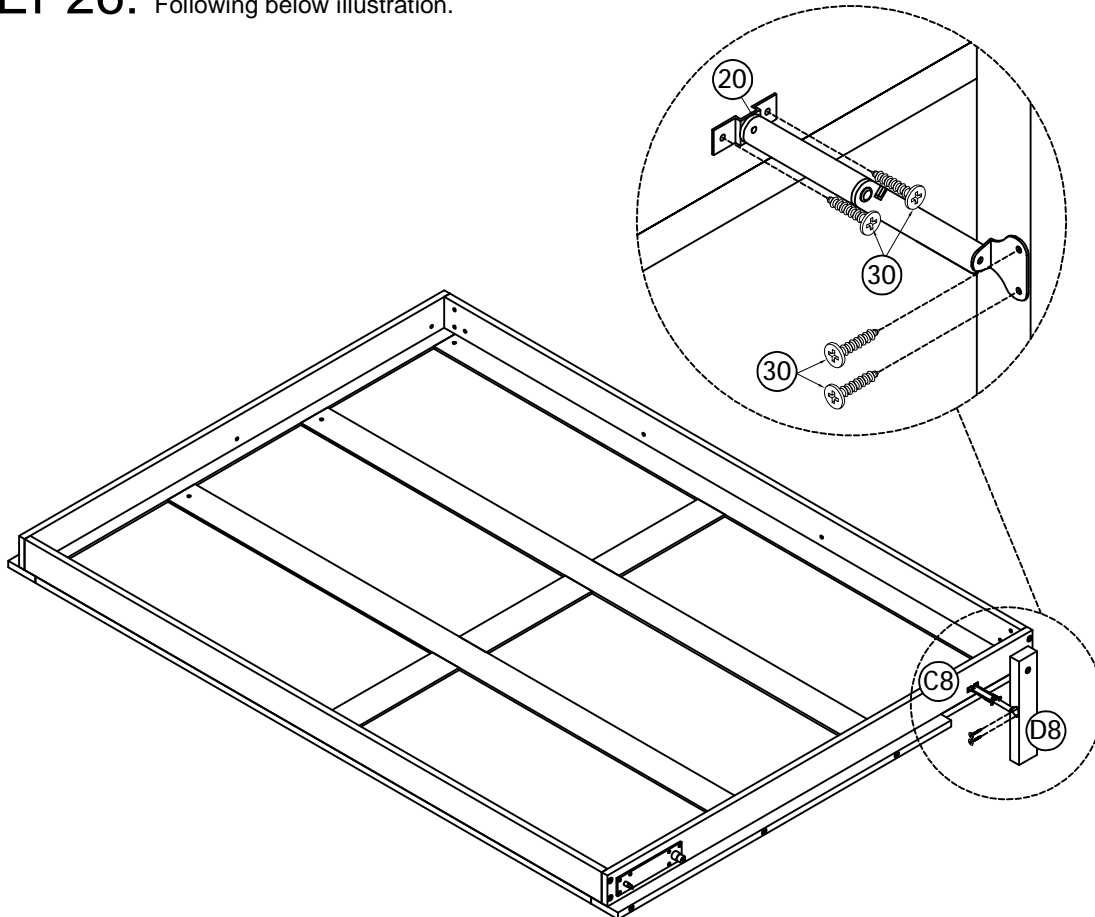
1(pc)

28

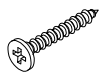


1(pc)

STEP26: Following below illustration.



30



4(pcs)

20



1(pc)

STEP27: Following below illustration.

17

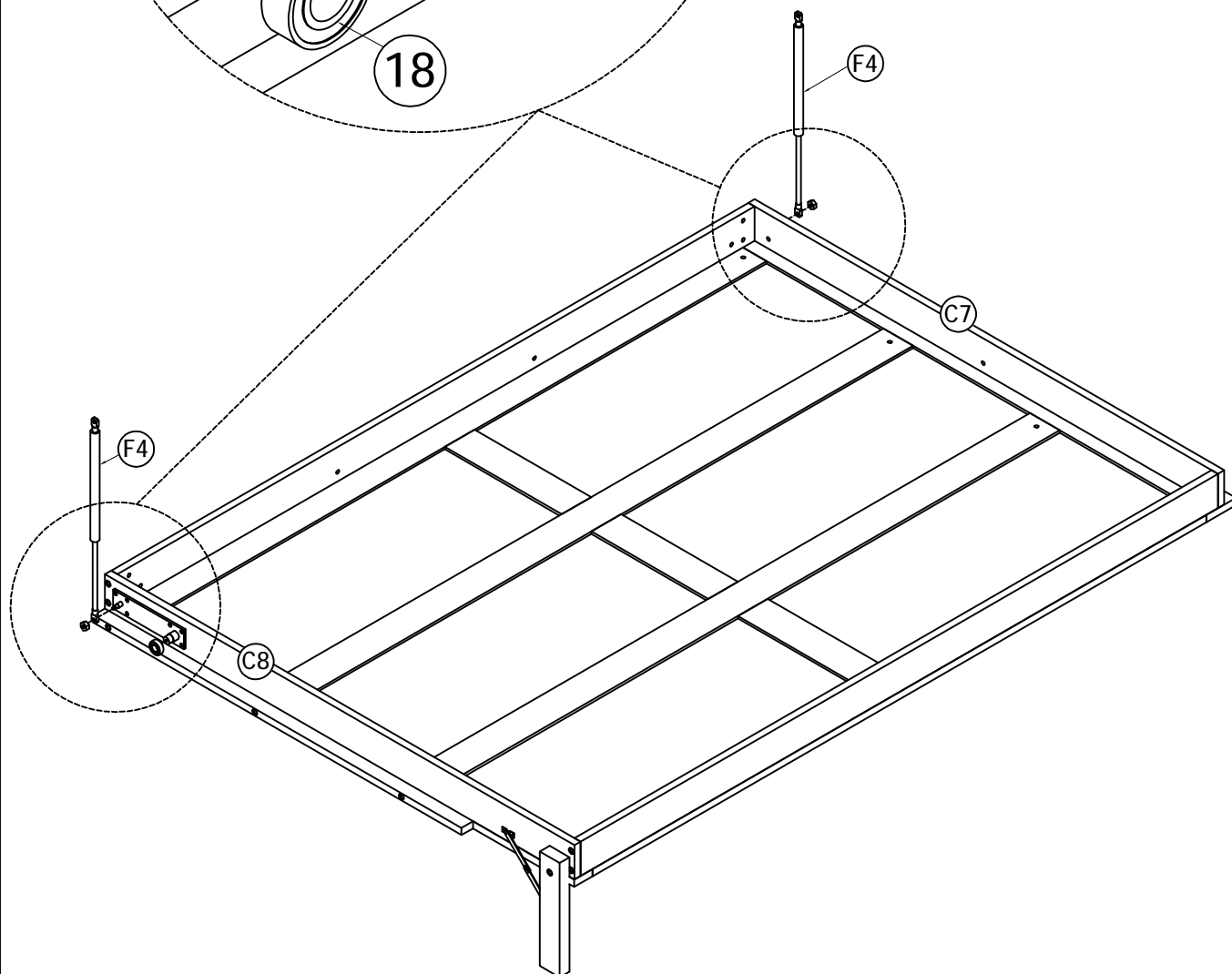
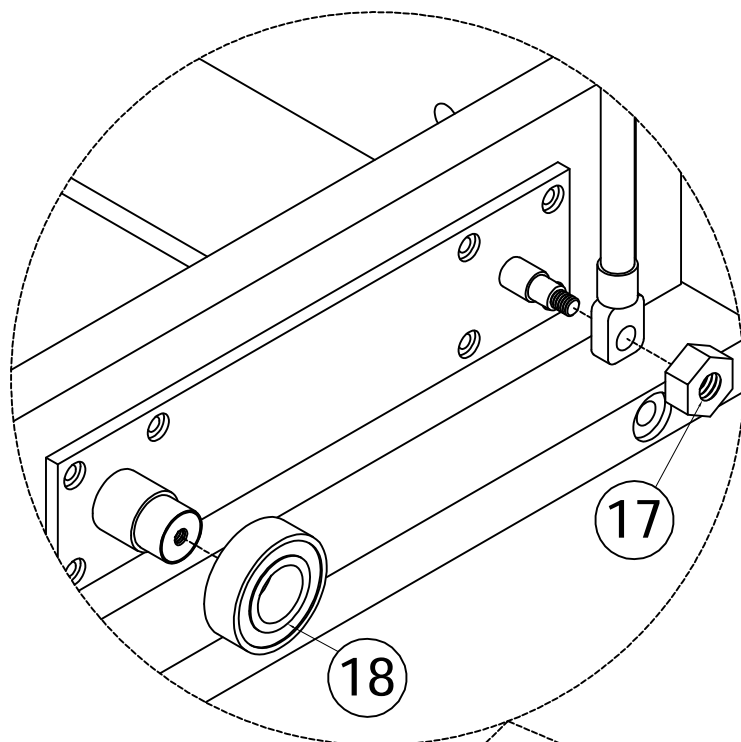


2(pcs)

18

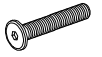


2(pcs)

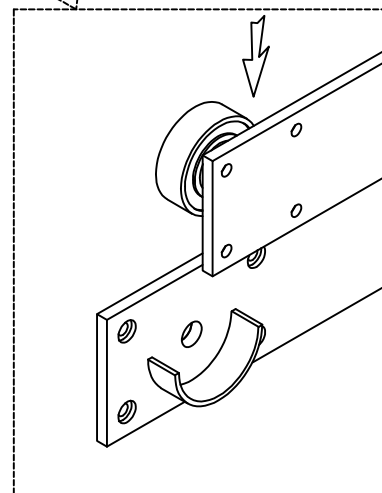
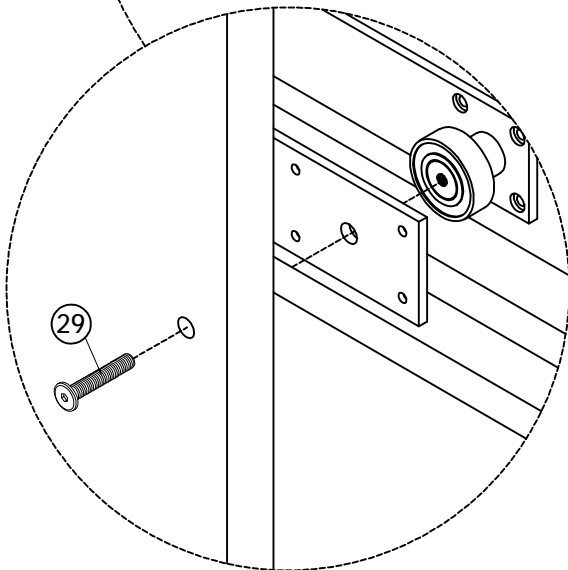
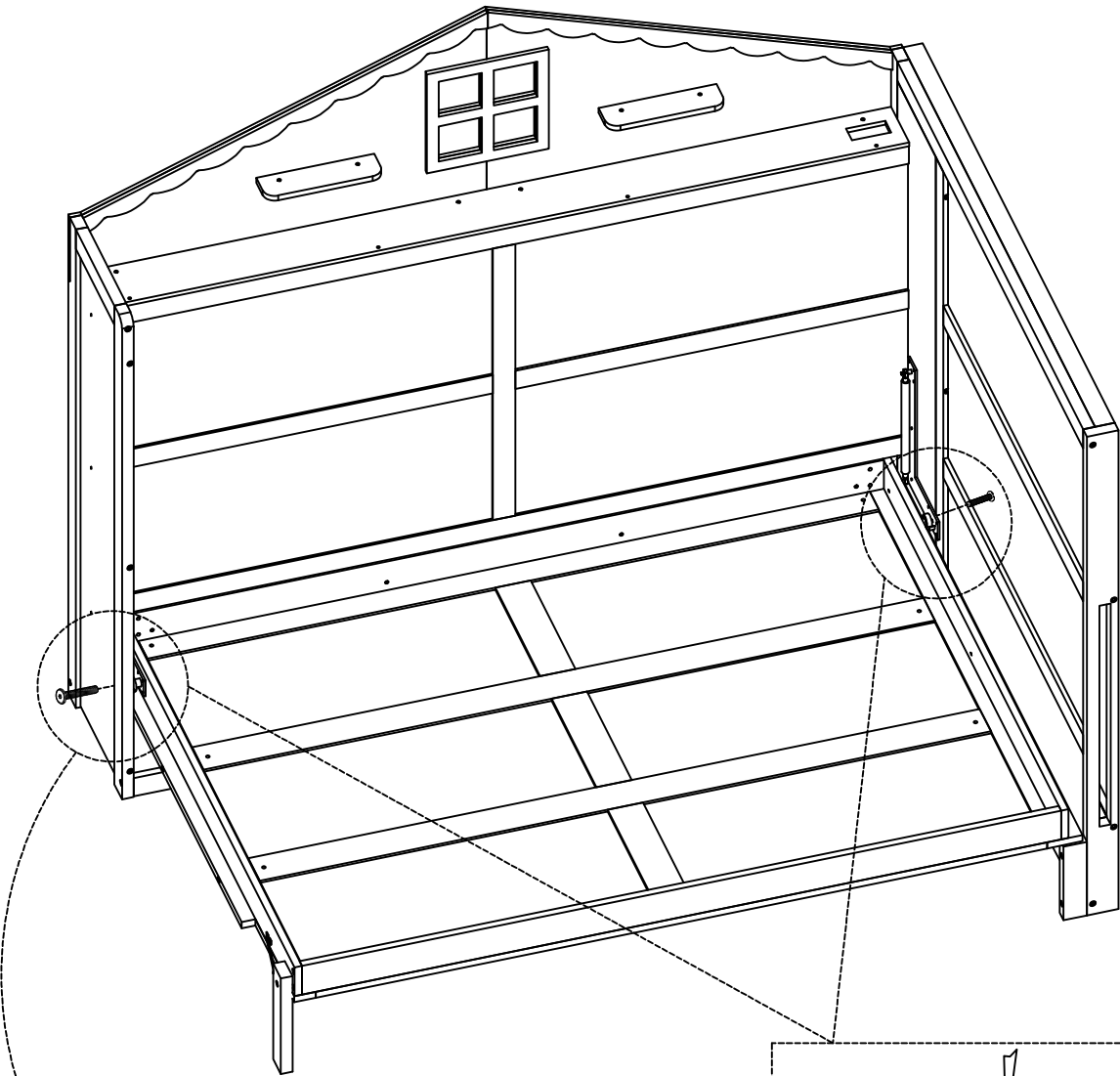


STEP28: Following below illustration.

29



2(pcs)

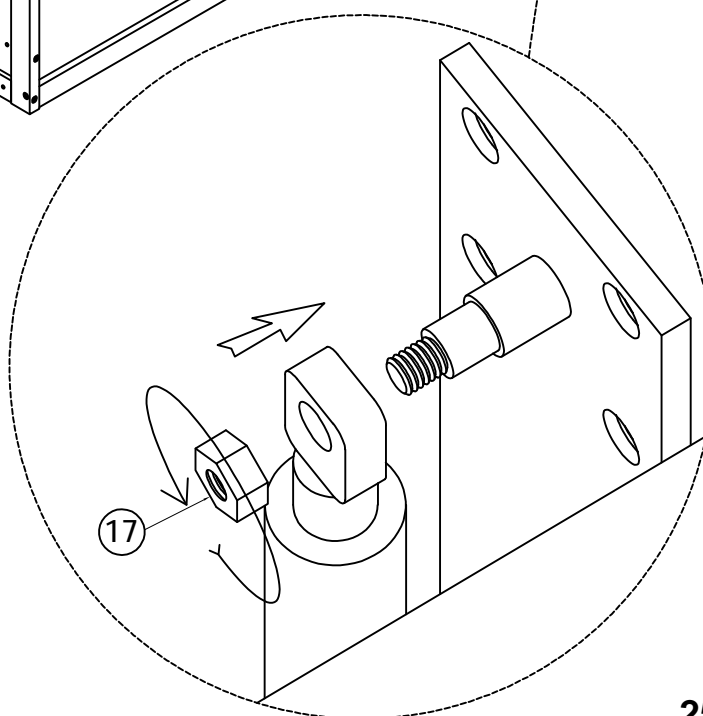
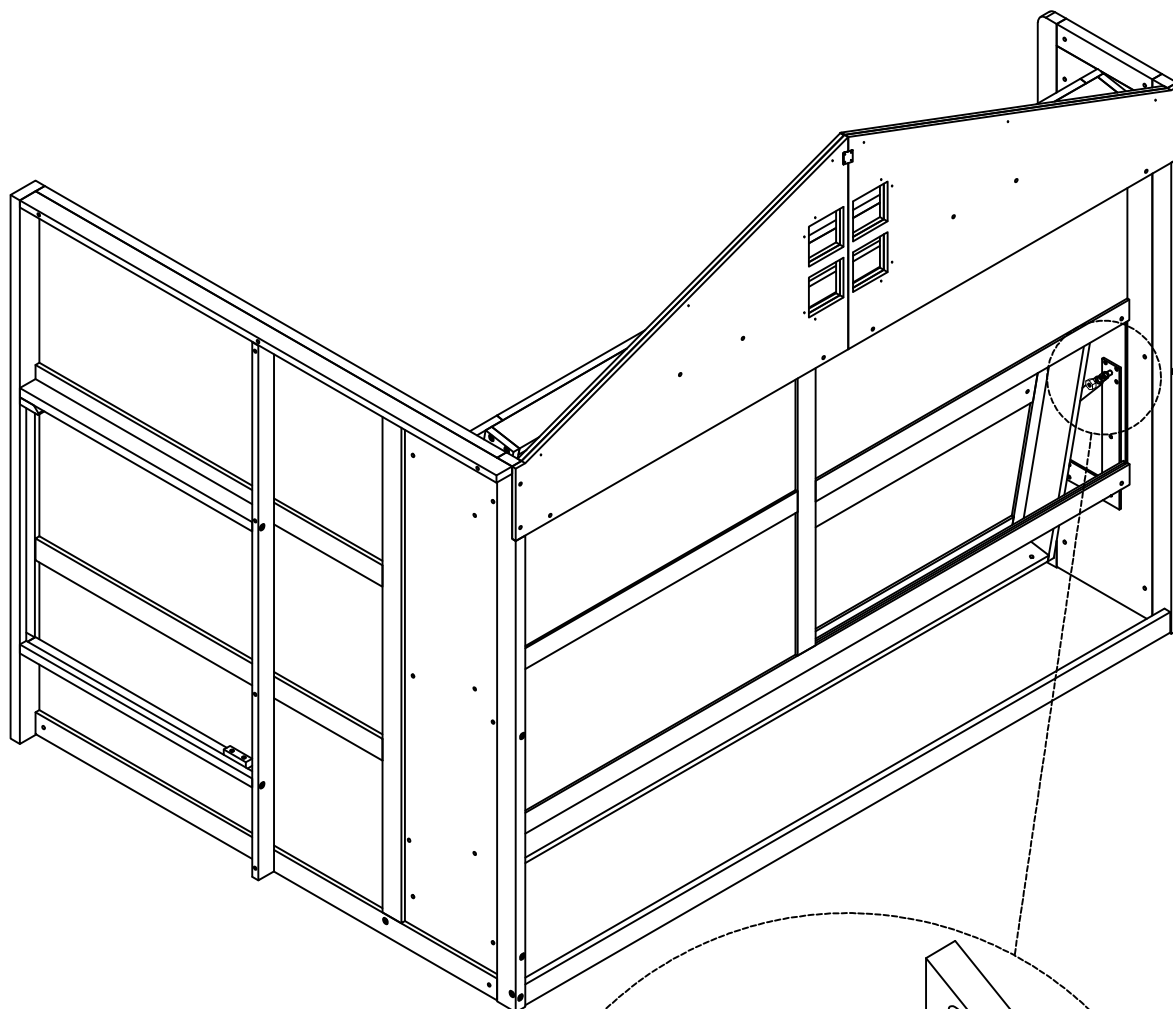


STEP29: Following below illustration.

17



1(pc)

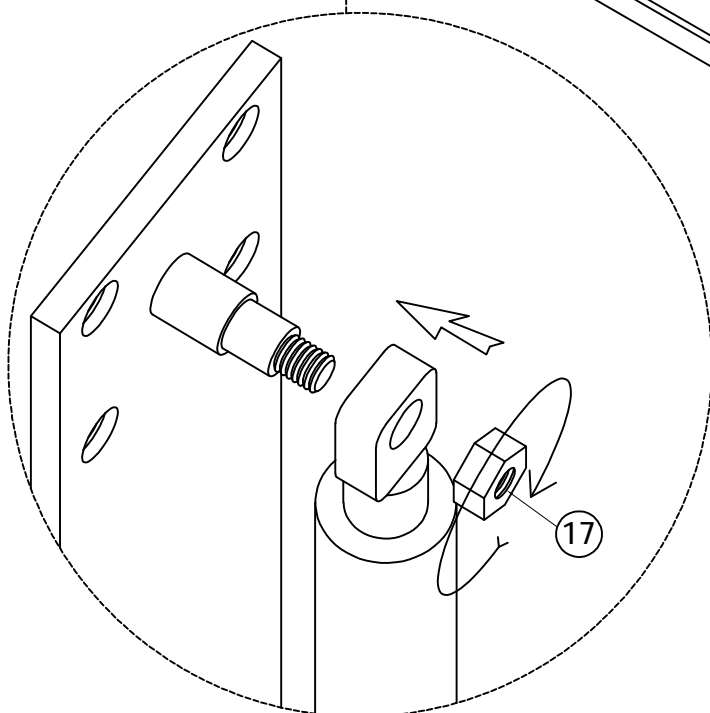
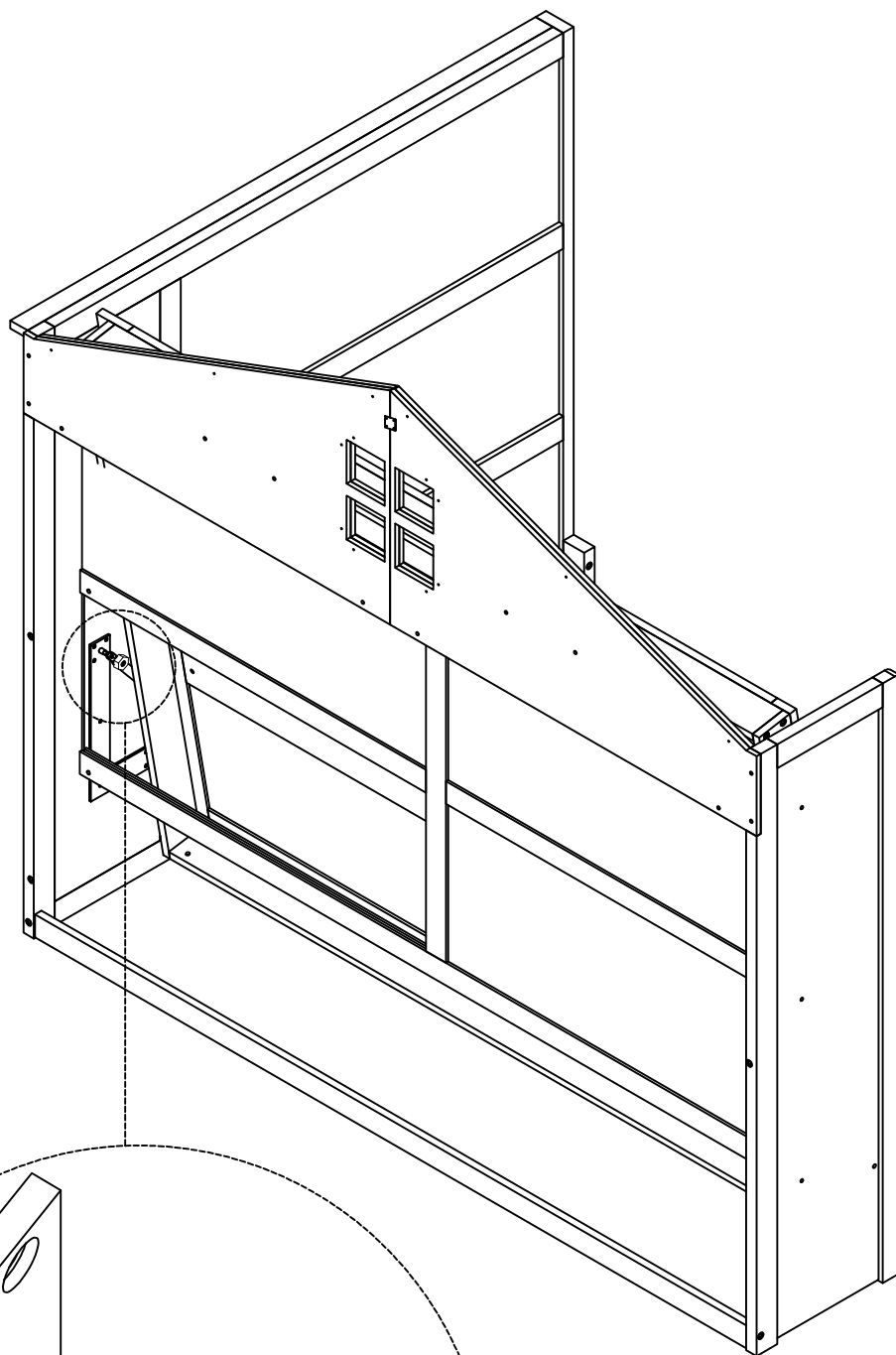


STEP30: Following below illustration.

17



1(pc)

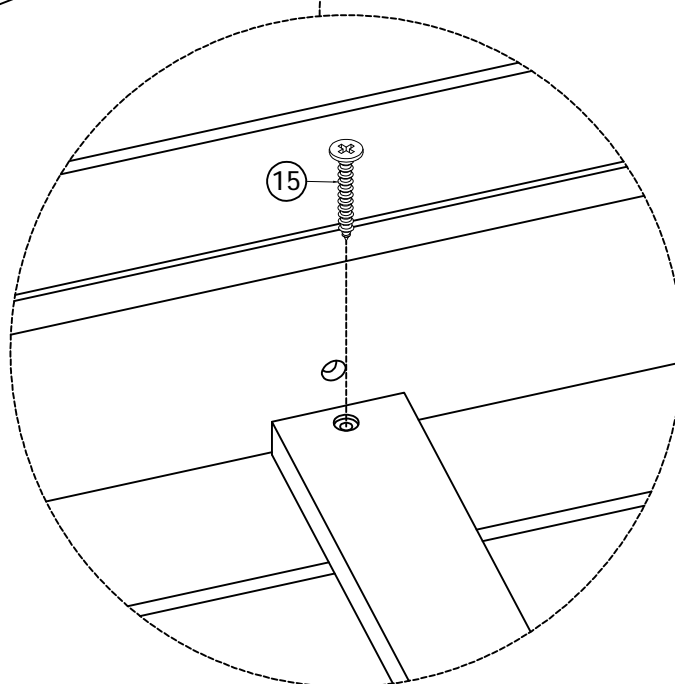
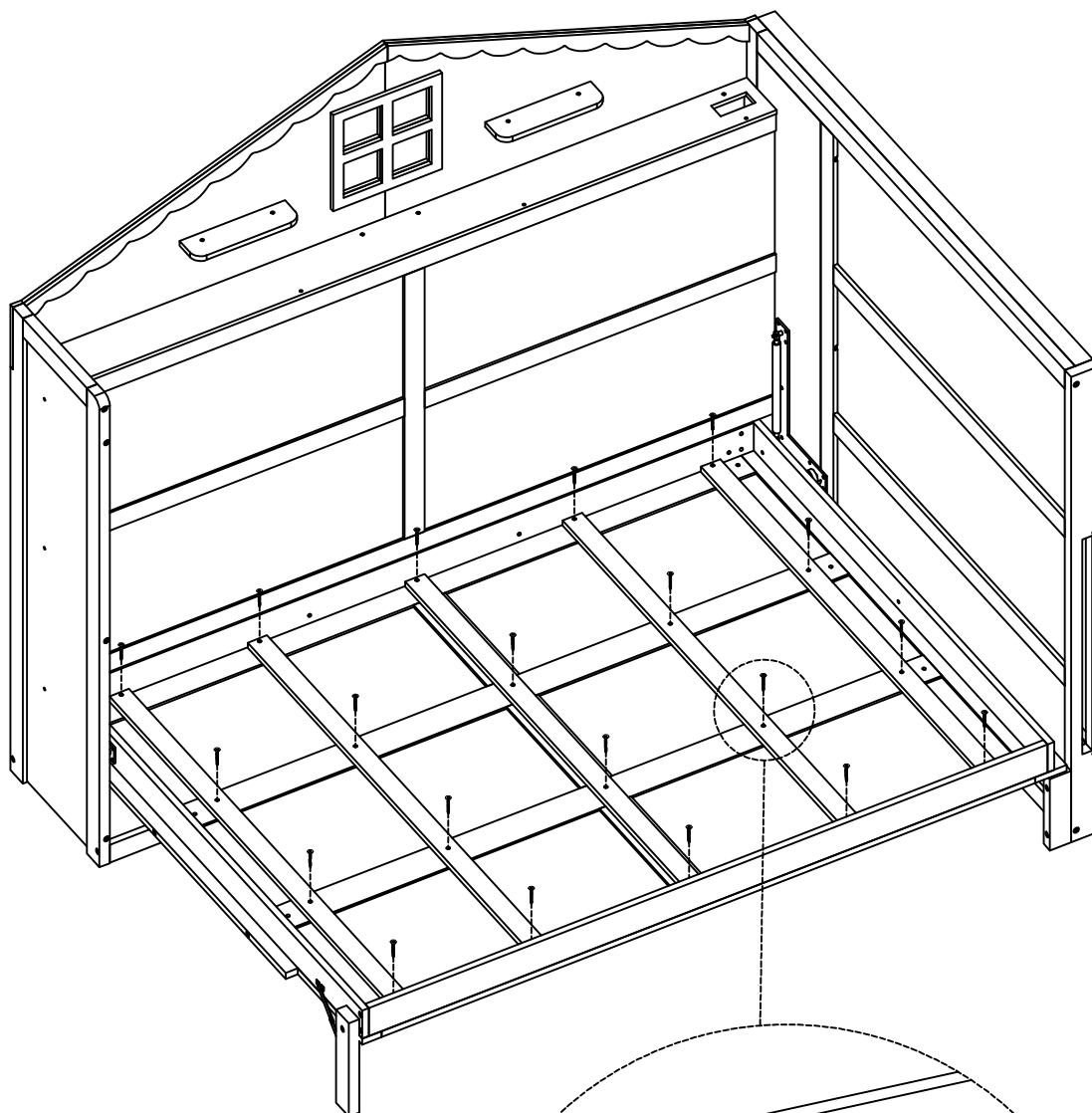


STEP31: Following below illustration.

15

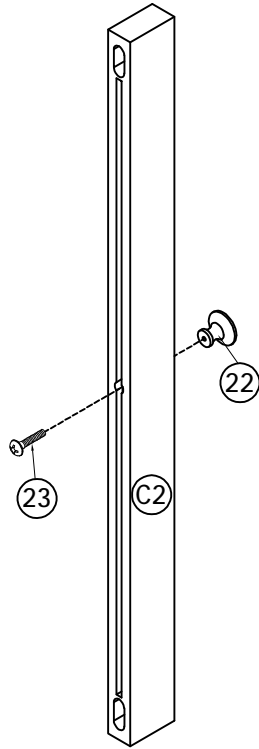


20(pcs)



STEP32:

Following below illustration.



22



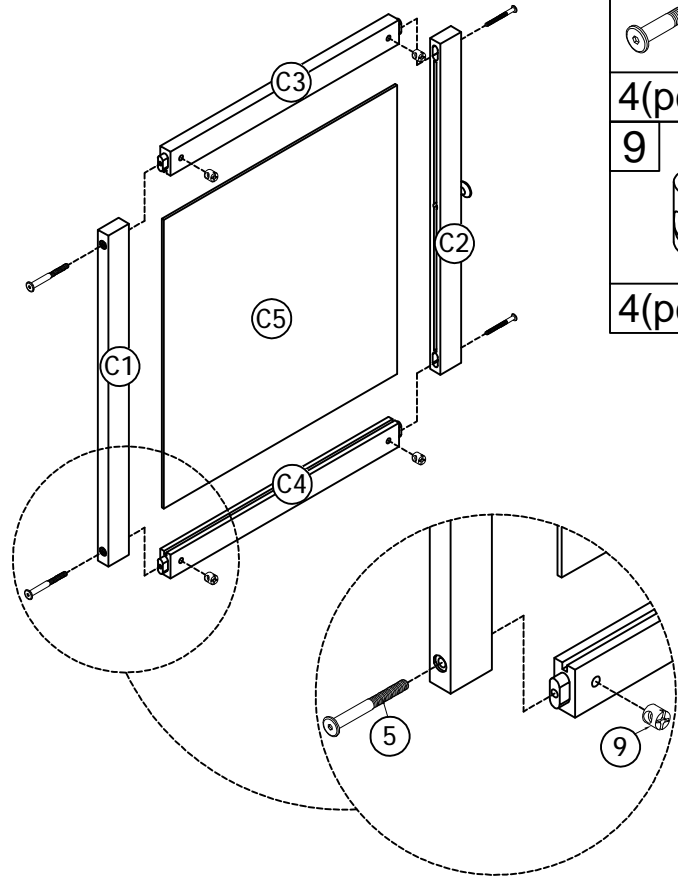
1(pc)

23

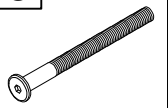


1(pc)

STEP33: Following below illustration.



5



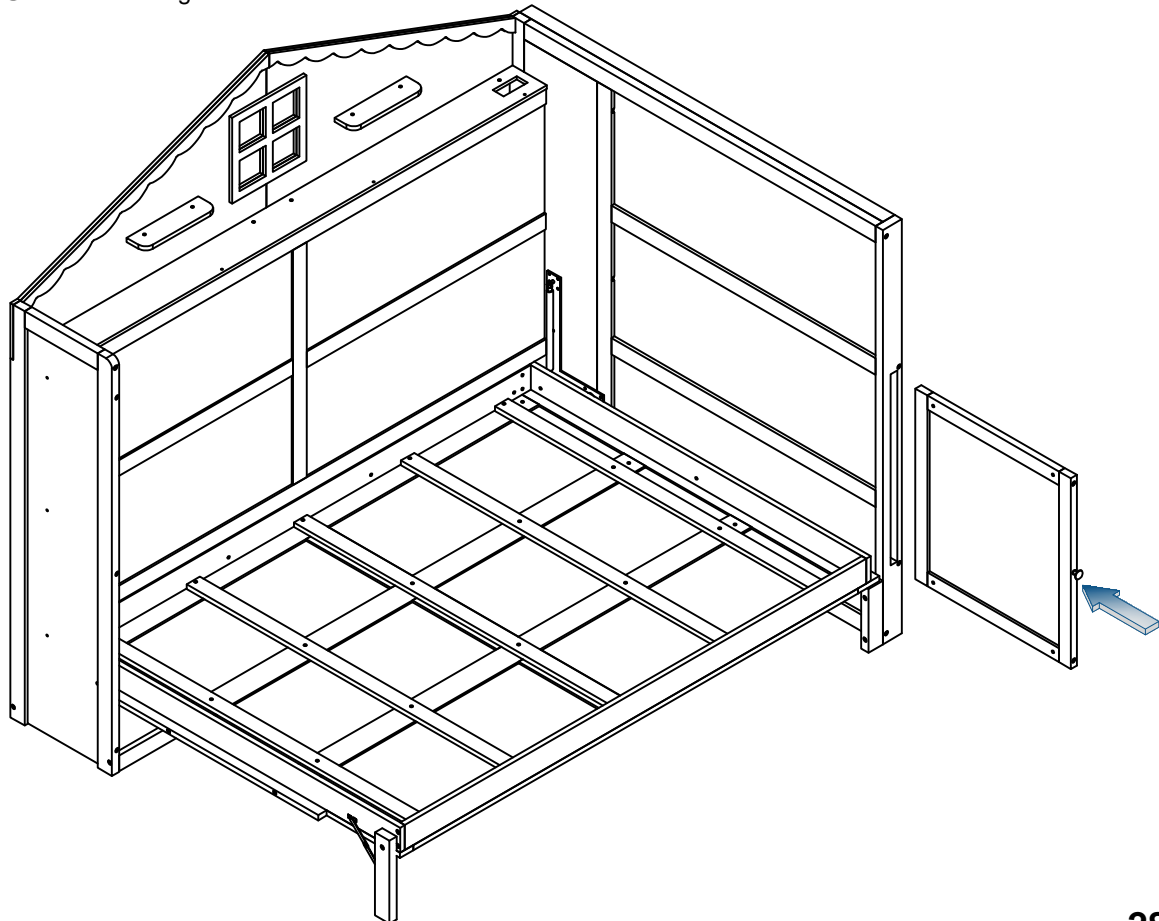
4(pcs)

9



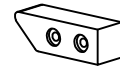
4(pcs)

STEP34: Following below illustration.



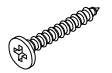
STEP35: Following below illustration.

26

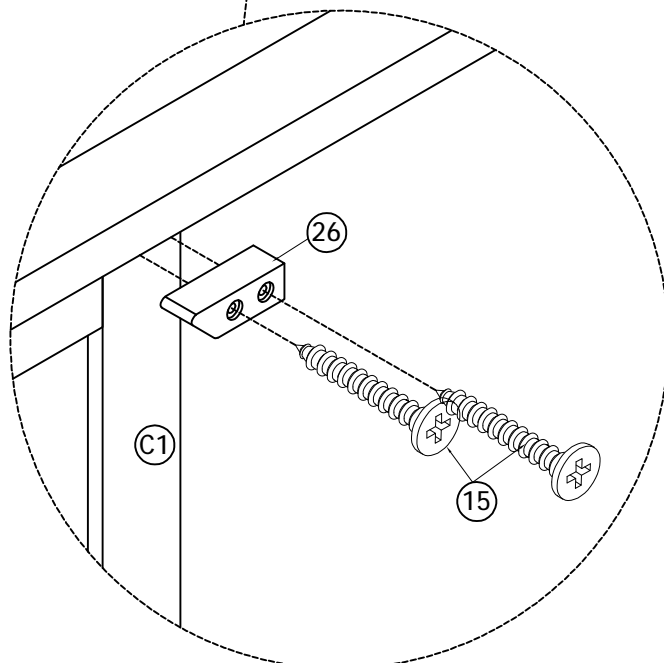
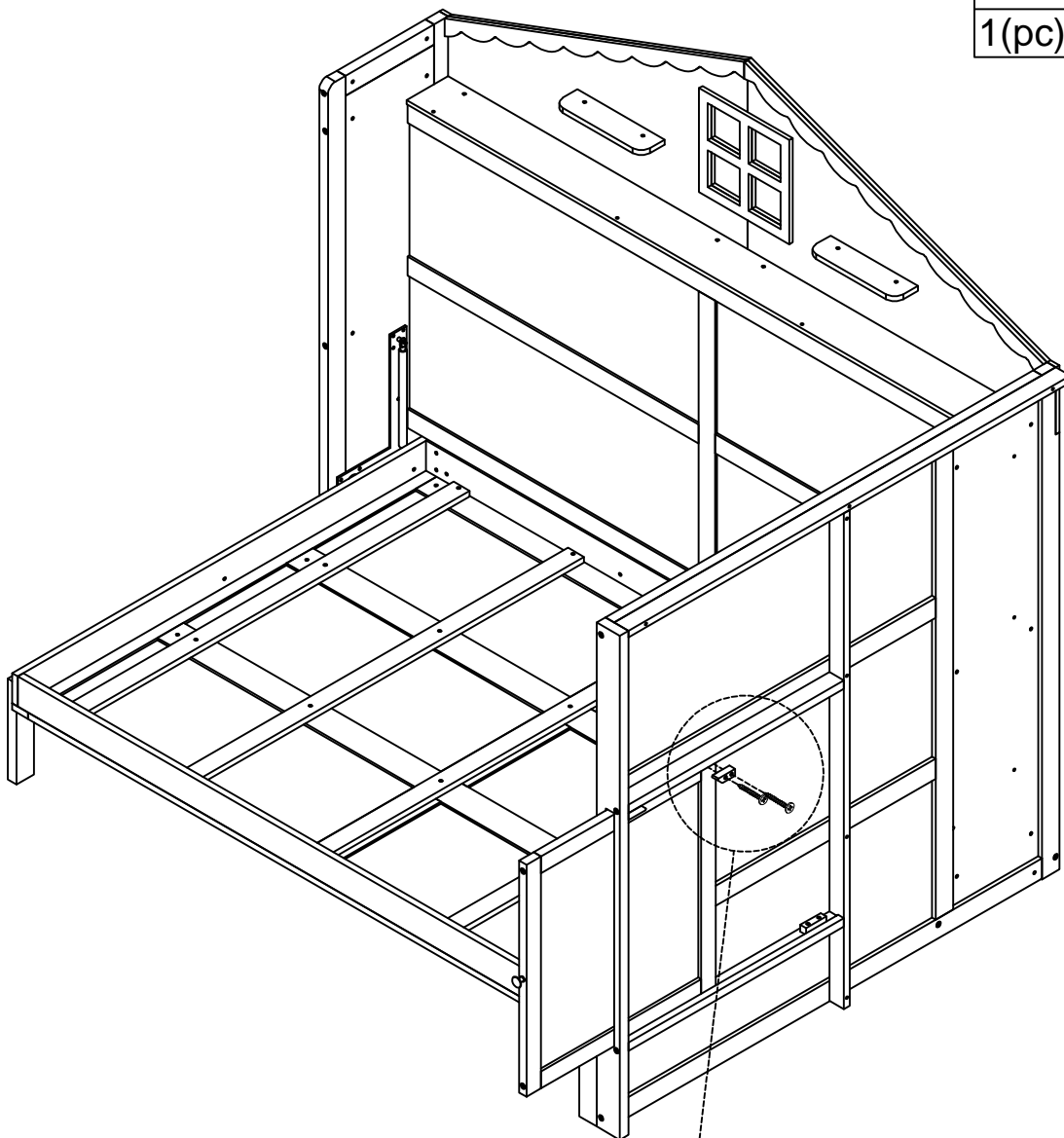


1(pc)

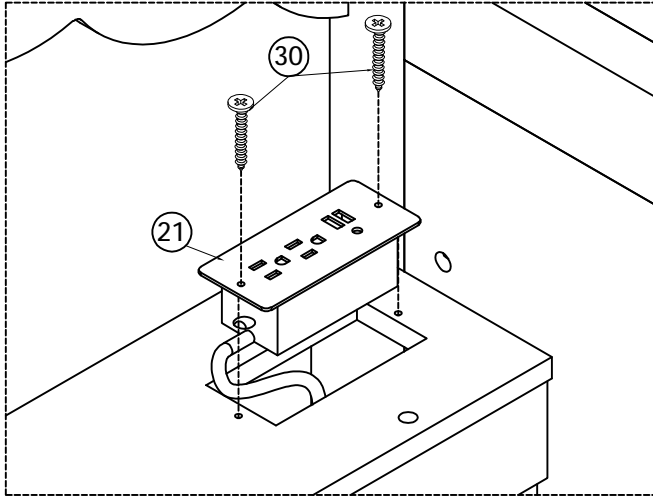
15


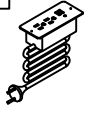



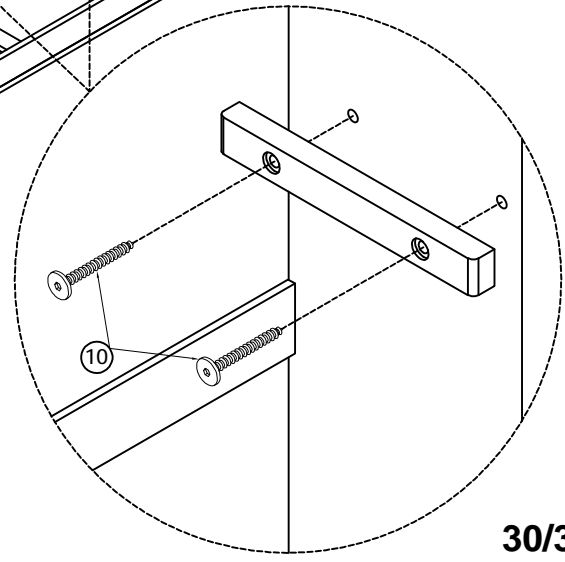
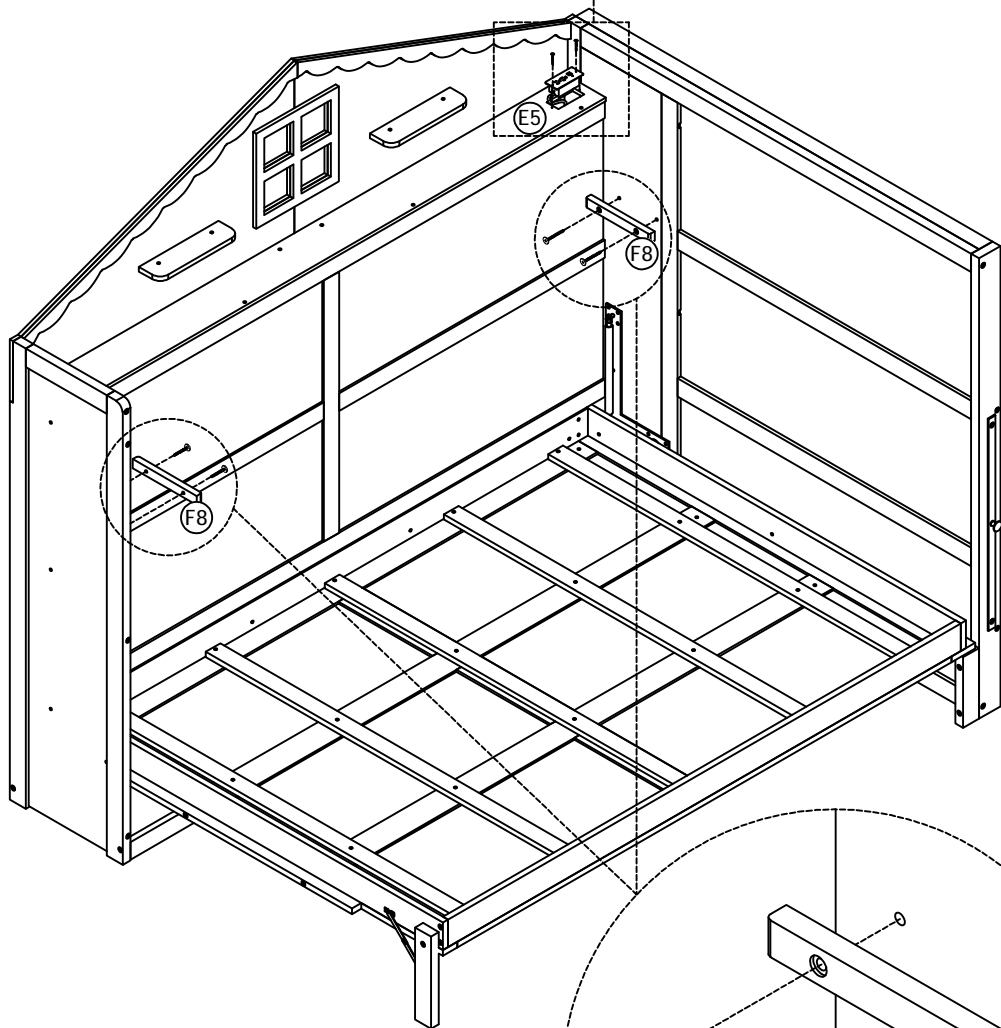
2(pcs)



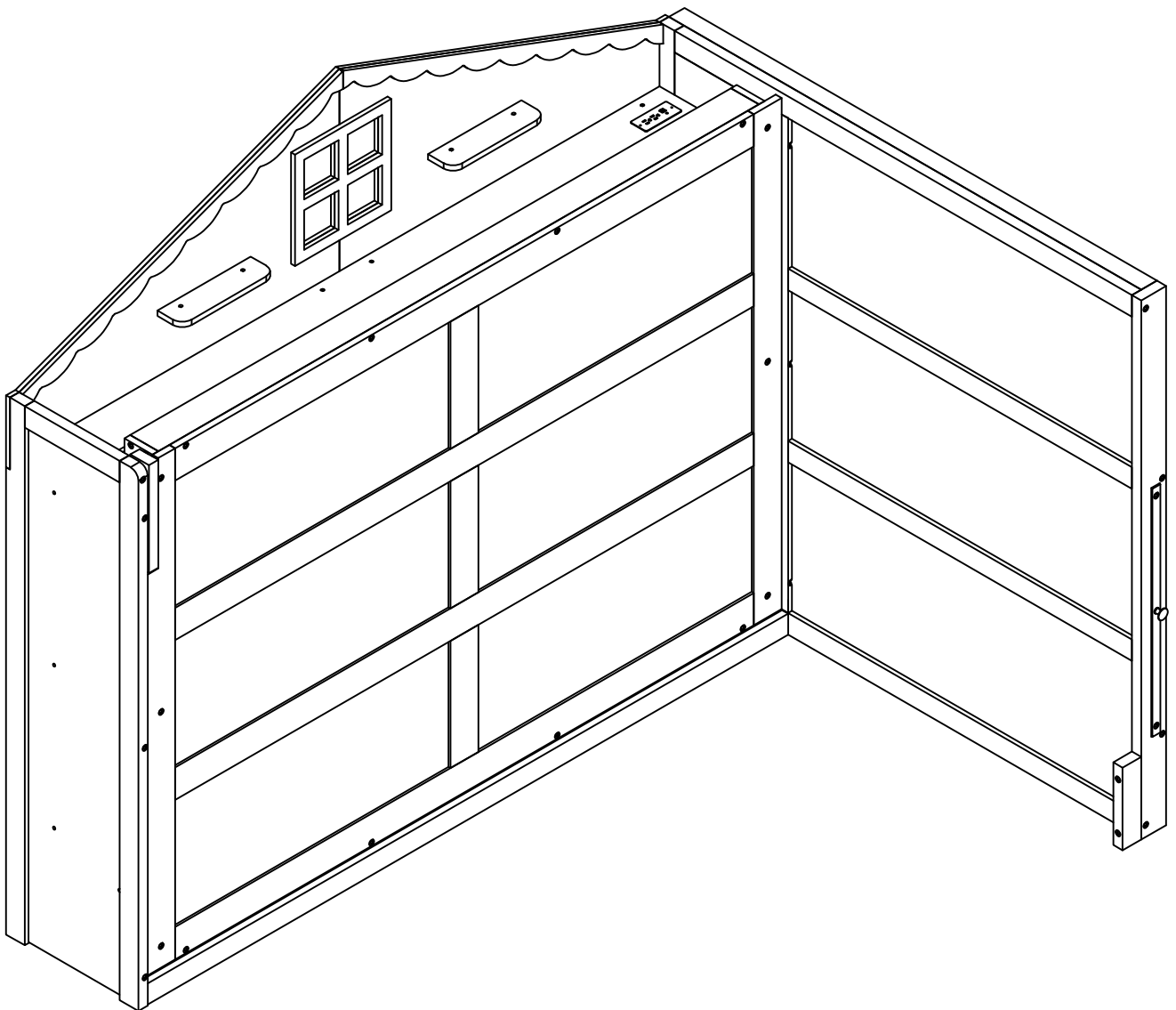
STEP36: Following below illustration.



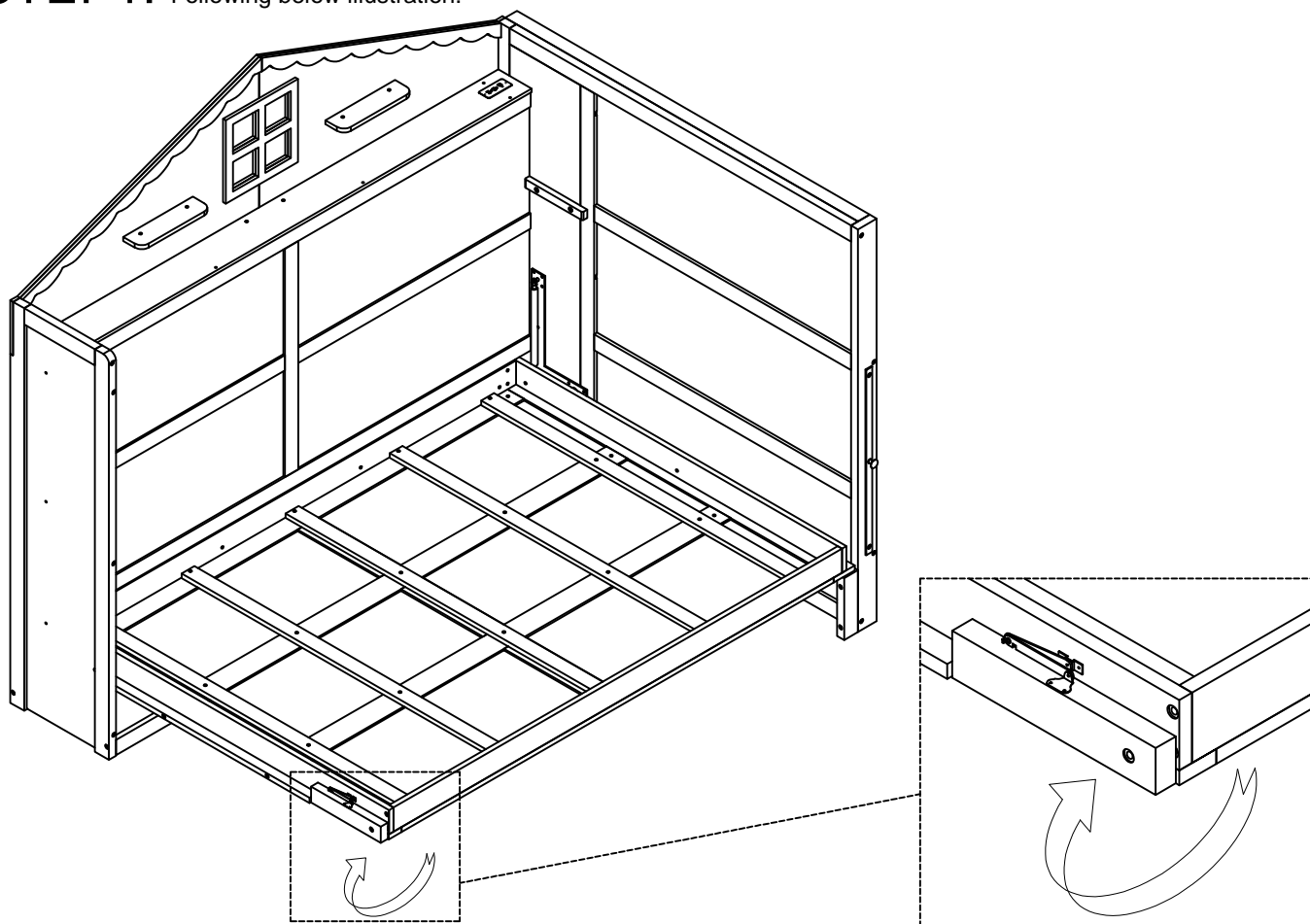
30	21
	
2(pcs)	1(pc)
	10
	
	4(pcs)



OPTION 2



STEP 1: Following below illustration.



STEP 2: Following below illustration.

