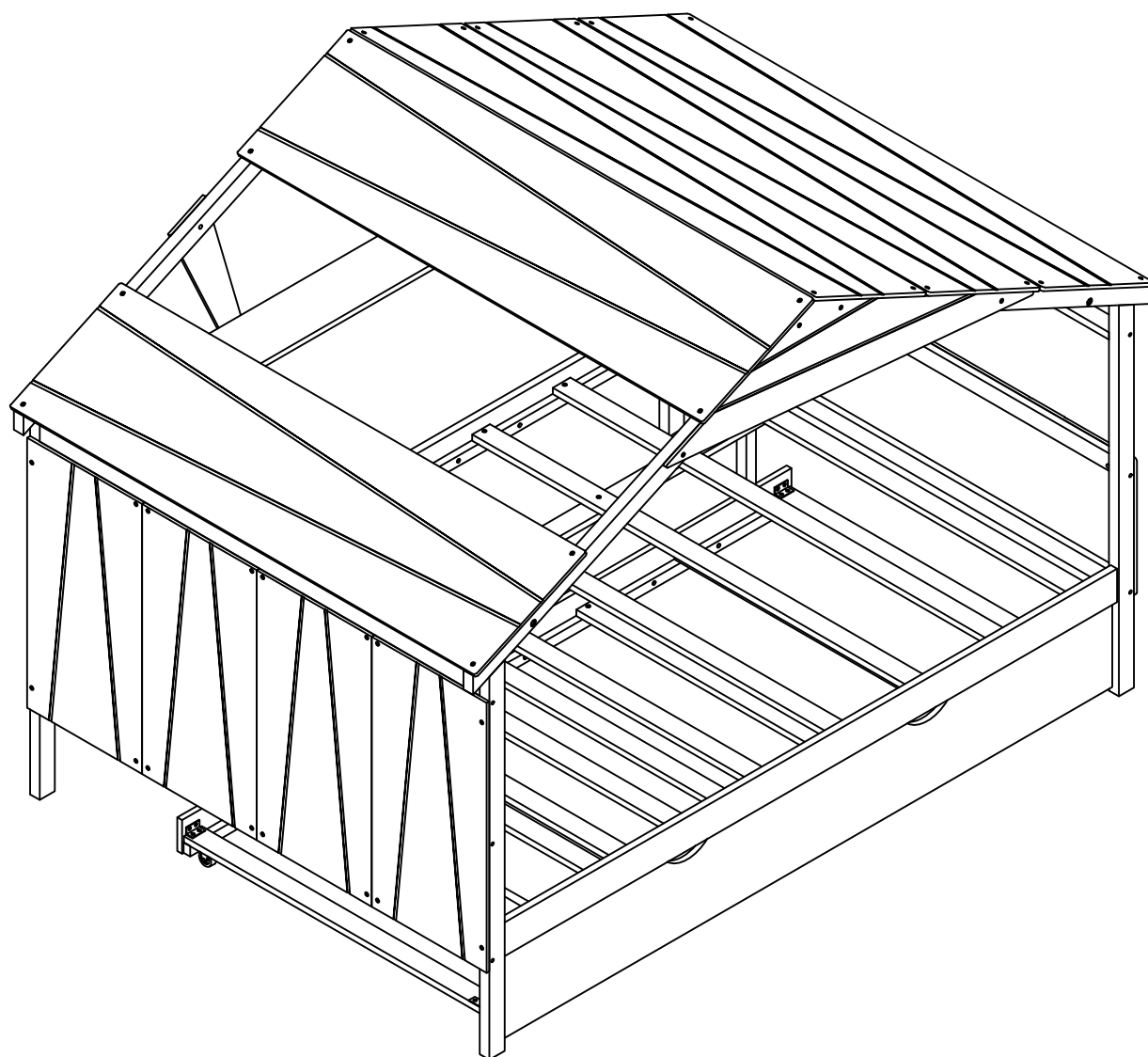


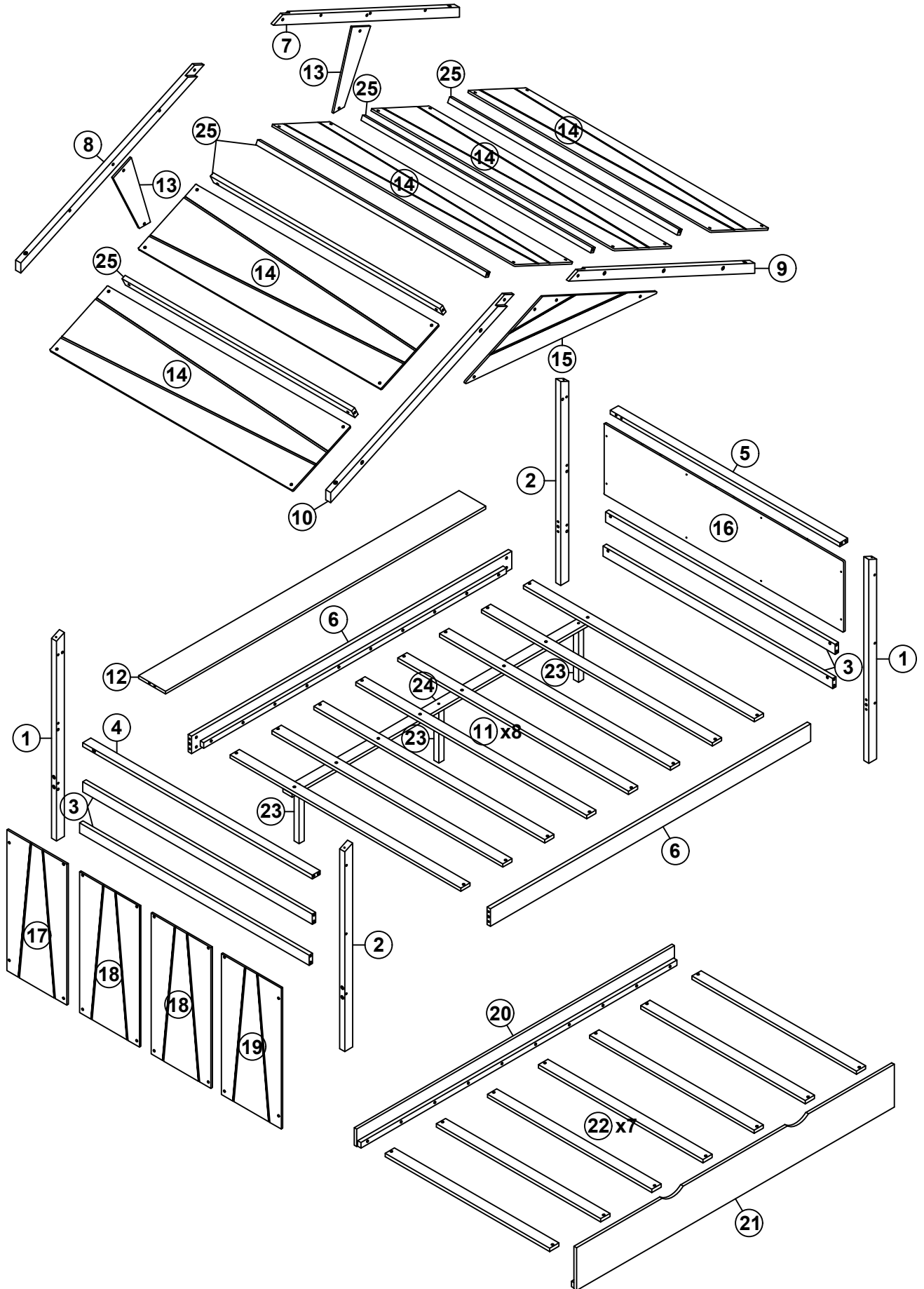
ASSEMBLY INSTRUCTIONS

FULL HOUSE BED WITH TRUNDLE



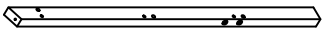
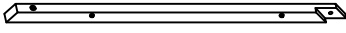
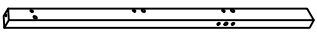
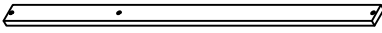
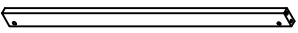

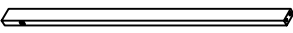
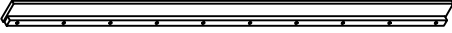
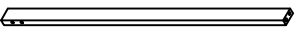


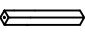
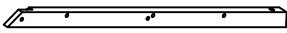
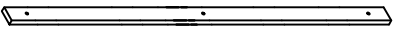

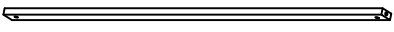
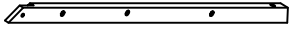
WF317533/WF317534

ASSEMBLY INSTRUCTIONS





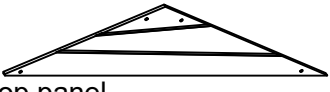


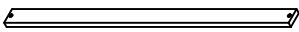


ASSEMBLY INSTRUCTIONS

WF317533 (Hardware in this SKU)












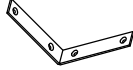

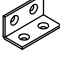


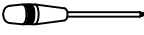

1	Leg 	2pcs	10	Roof Top 	1pc
2	Leg 	2pcs	11	Slats 	8pcs
3	Headboard panel 	4pcs	12	Top shelves panel 	1pc
4	Headboard panel 	1pc	20	Back trundle panel 	1pc
5	Headboard panel 	1pc	21	Front trundle panel 	1pc
6	Side rails 	2pcs	23	Center rails support legs 	3pcs
7	Roof Top 	1pc	24	Center rails 	1pc
8	Roof Top 	1pc	25	Roof top support 	5pcs
9	Roof Top 	1pc			

WF317534

13	Back roof top support 	2pcs	17	Headboard frames panel 	1pc
14	Roof top panels 	5pcs	18	Headboard frames panel 	2pcs
15	Front roof top panel 	1pc	19	Headboard frames panel 	1pc
16	Headboard panel 	1pc	22	Slats 	7pcs

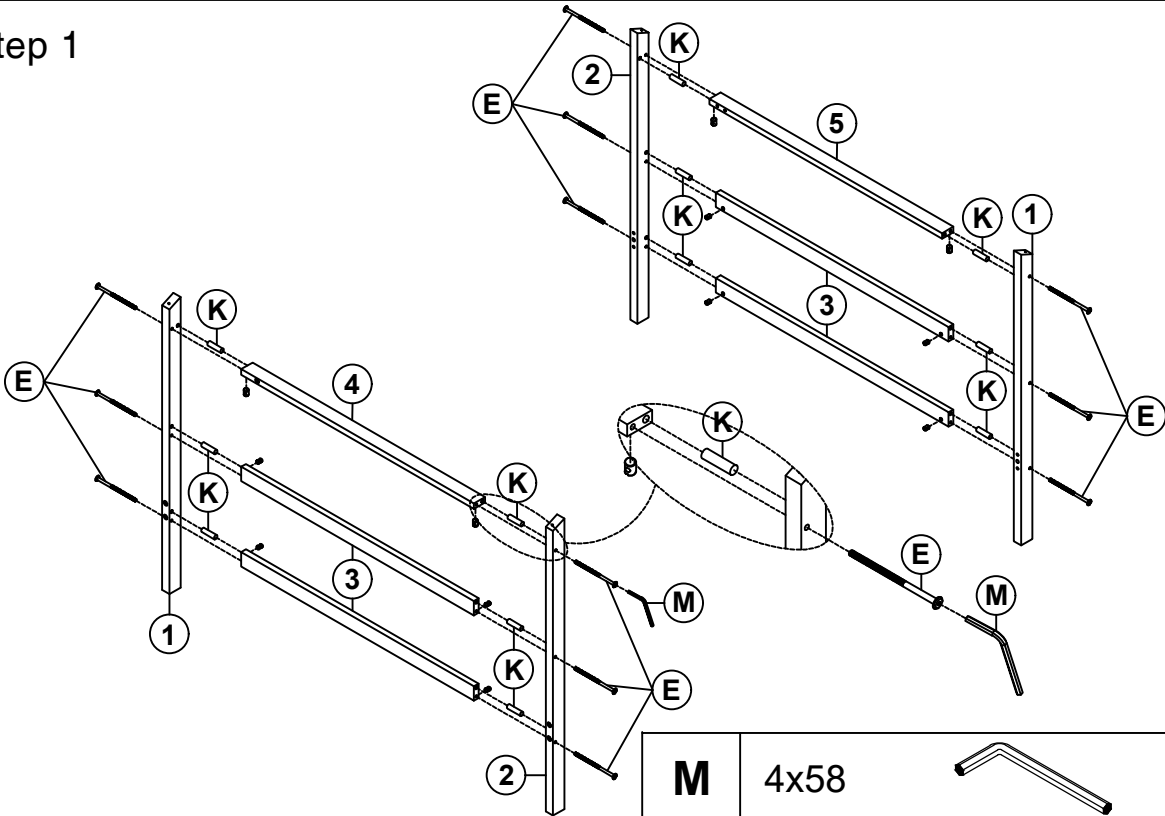
ASSEMBLY INSTRUCTIONS




WF317533 (Hardware in this SKU)

A	Ø4x30		38PCS	I	6.5x80		4PCS
B	Ø4x15		32PCS	K	Ø10x40		16PCS
C	Ø4x20		48PCS	L	Ø8x30		2PCS
D	1/4x90		10PCS	M	4x58		1PC
E	1/4x75		22PCS	N	Ø38x46x38		4PCS
F	1/4x50		2PCS	O	95x95x20		2PCS
G	1/4x30		2PCS	P	40x20x20		2PCS
H	1/4x25		2PCS	Q	6.5x50		3PCS
	Phillip head screw Not include			S	1/4x25		3PCS

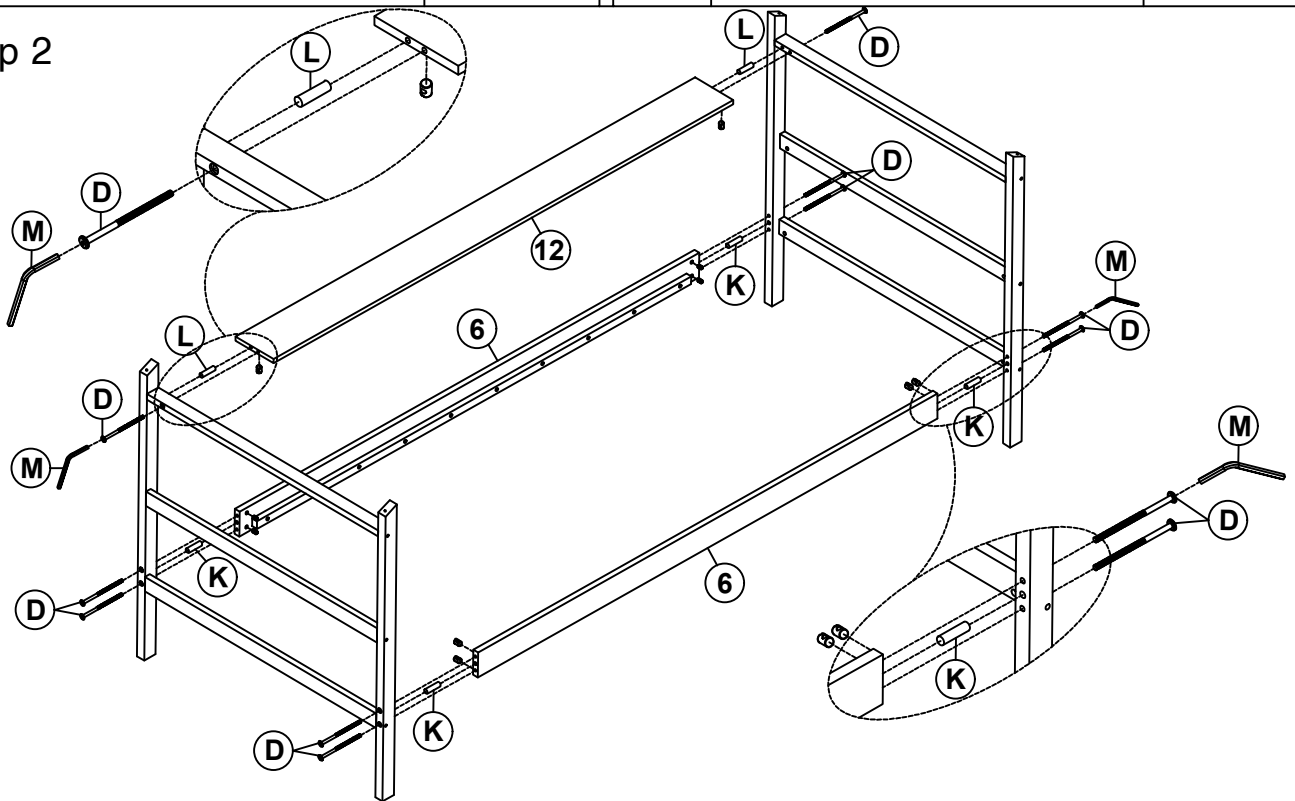
ASSEMBLY INSTRUCTIONS


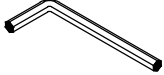


Step 1



M	4x58		1PC
E	1/4x75		12PCS
K	Ø10x40		12PCS

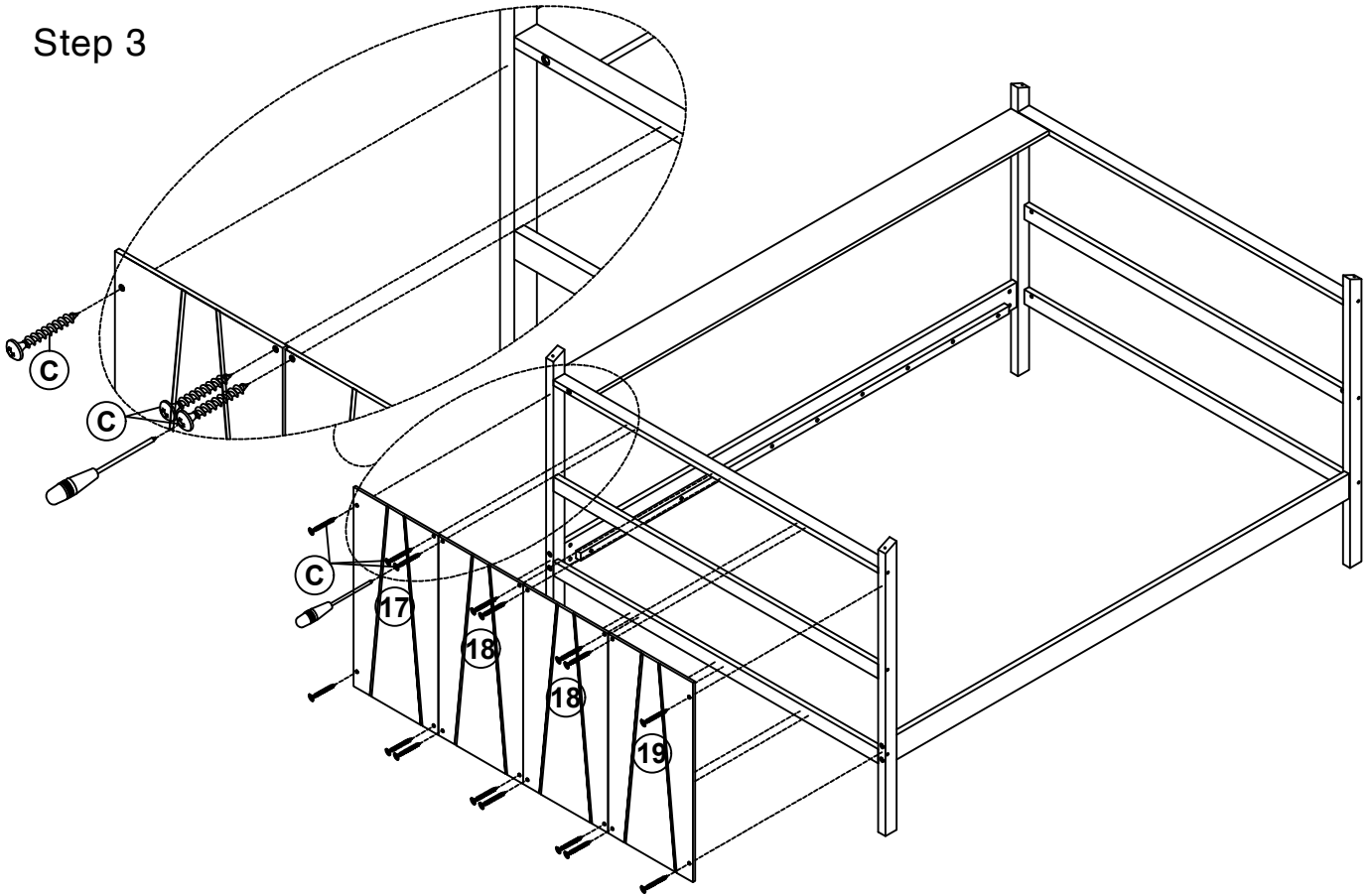
Step 2



L	Ø8x30		2PCS	M	4x58		1PC
D	1/4x90		10PCS	K	Ø10x40		4PCS

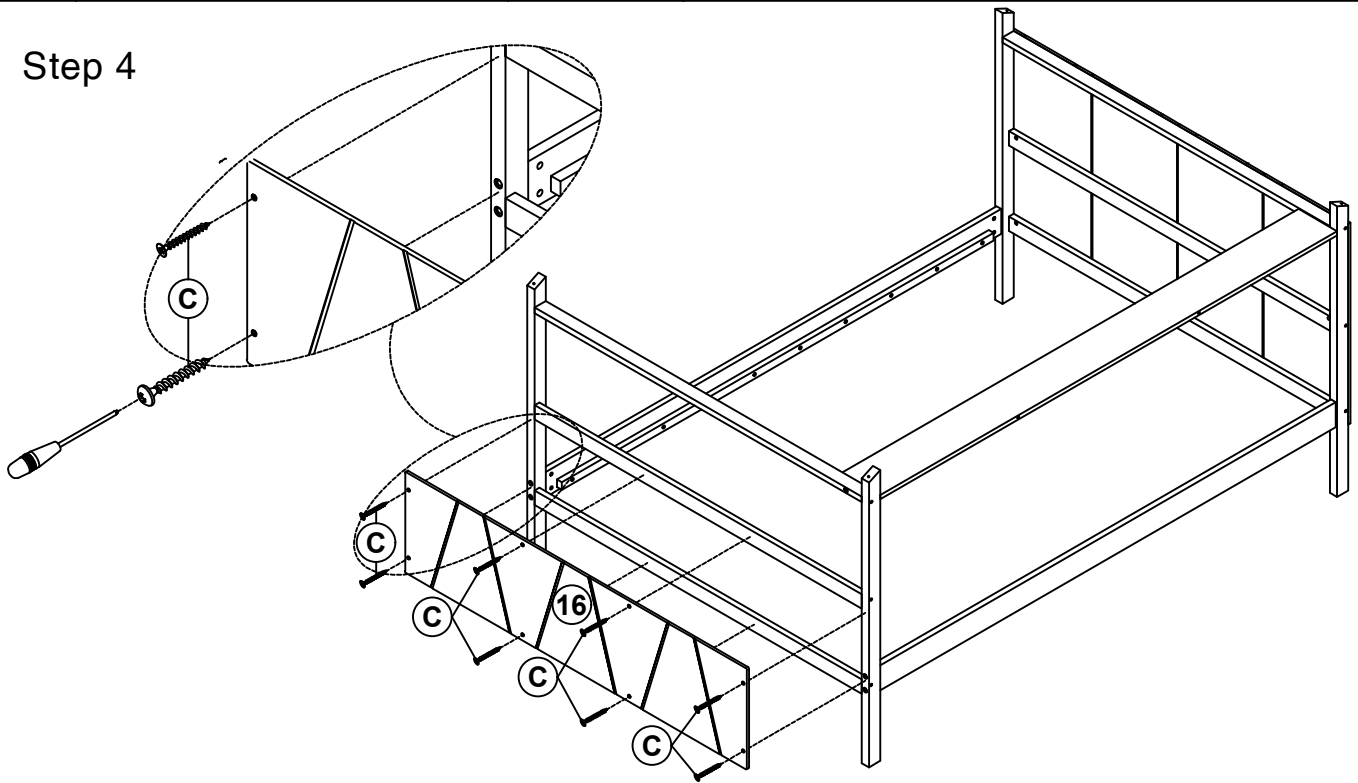
ASSEMBLY INSTRUCTIONS

Step 3



C	Ø4x20		16PCS
----------	-------	---	-------

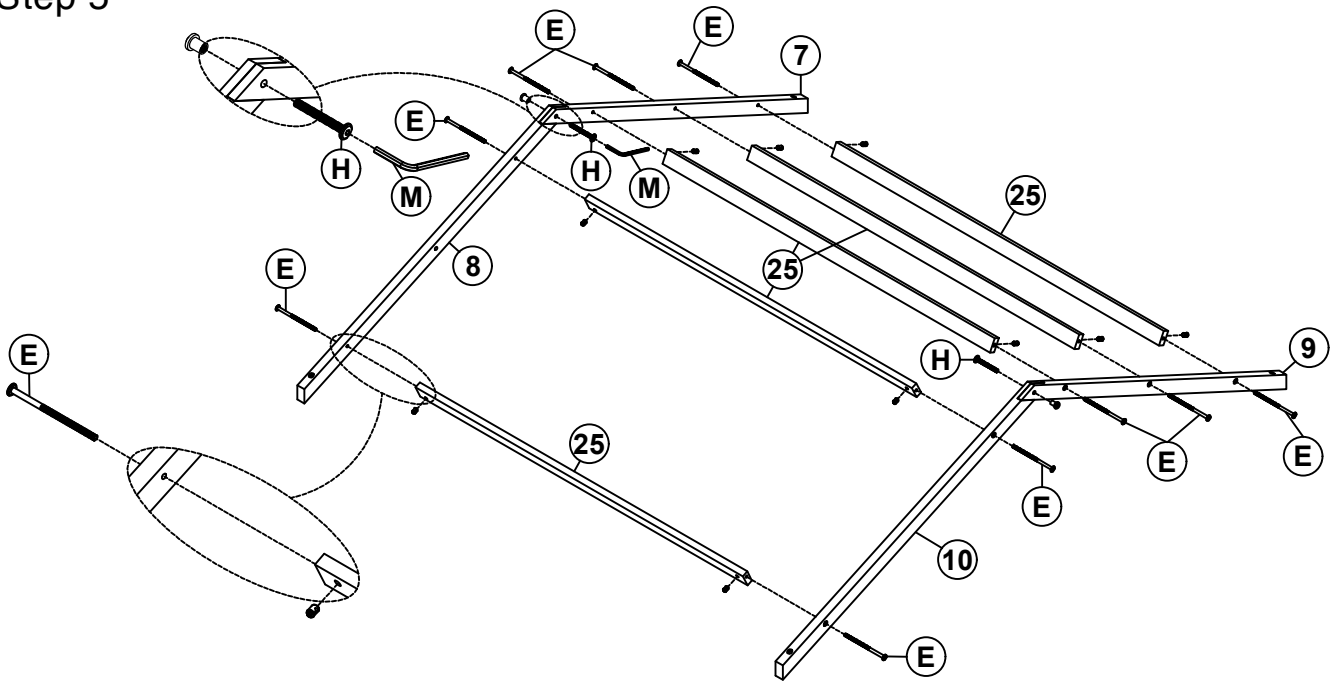
Step 4






C	Ø4x20		8PCS
----------	-------	---	------

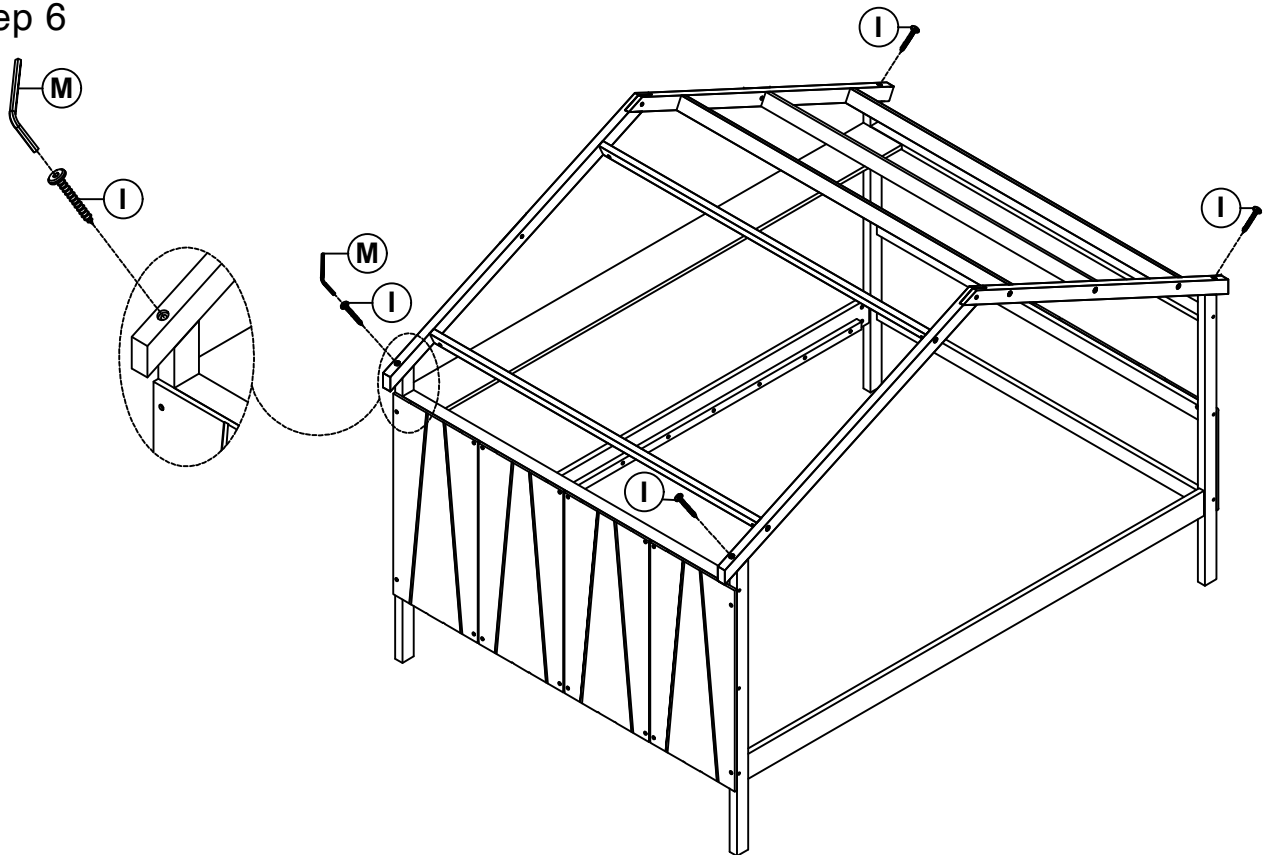
ASSEMBLY INSTRUCTIONS

Step 5



E	1/4x75		10PCS			
H	1/4x25		2PCS	M	4x58	 1PC

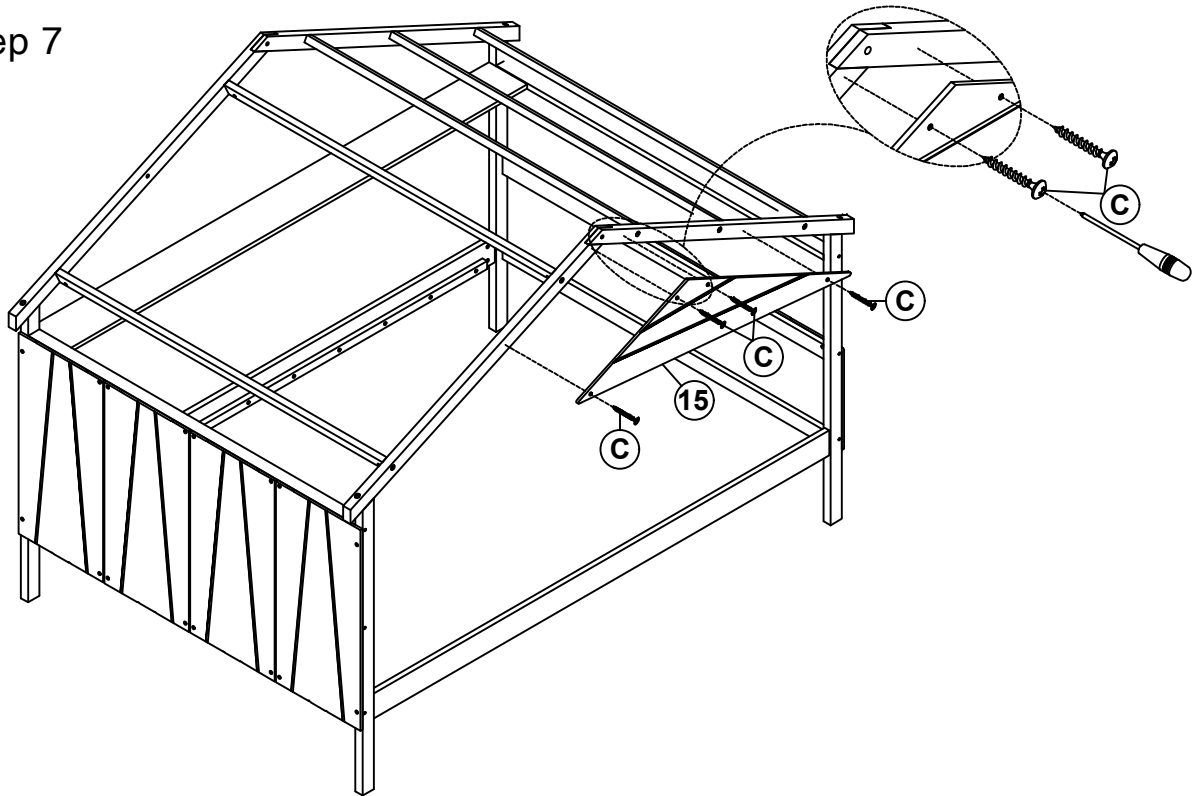
Step 6



I	6.5x80		4PCS	M	4x58	 1PC
----------	--------	---	------	----------	------	---

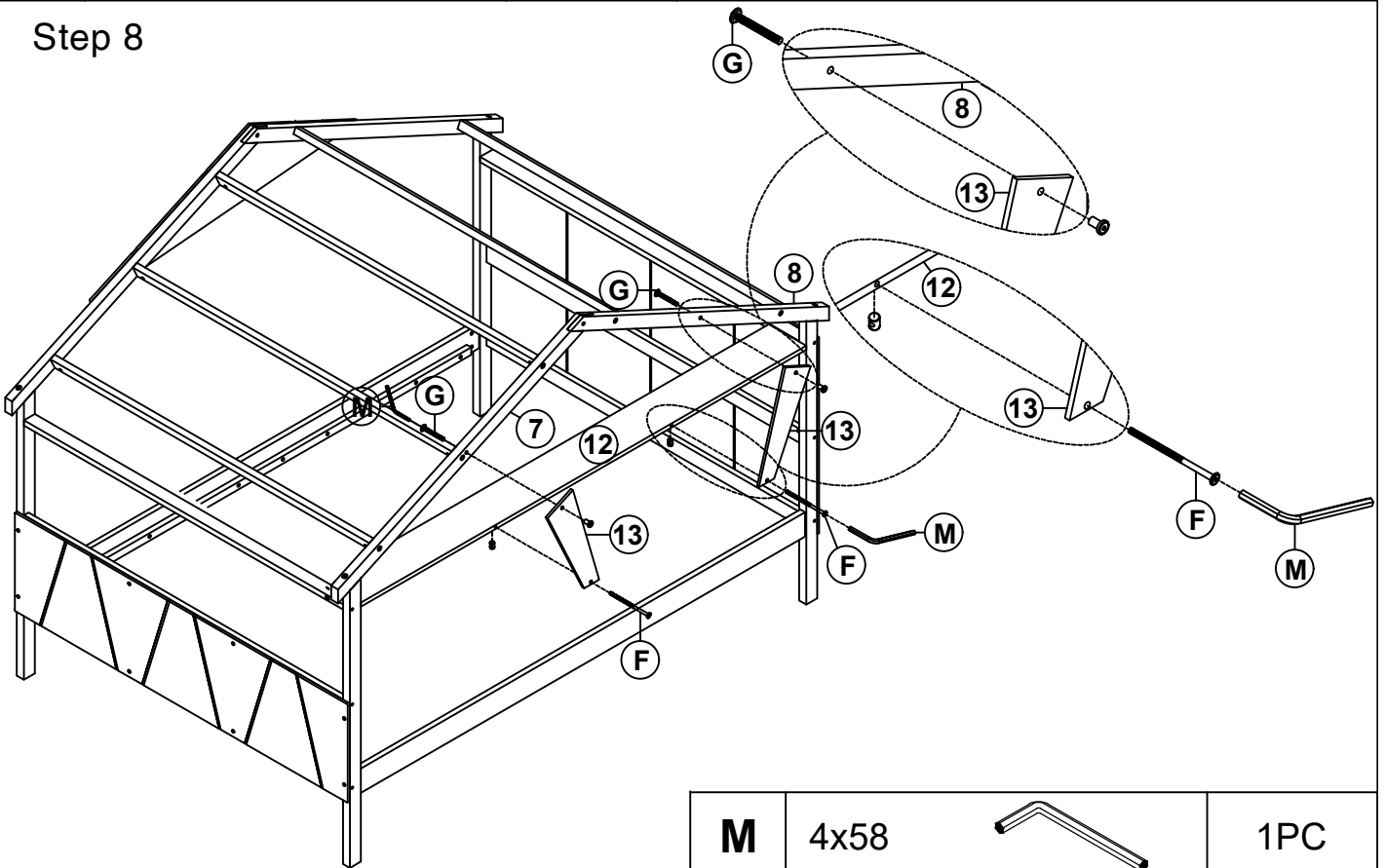
ASSEMBLY INSTRUCTIONS


Step 7



C	Ø4x20		4PCS
----------	-------	---	------

Step 8

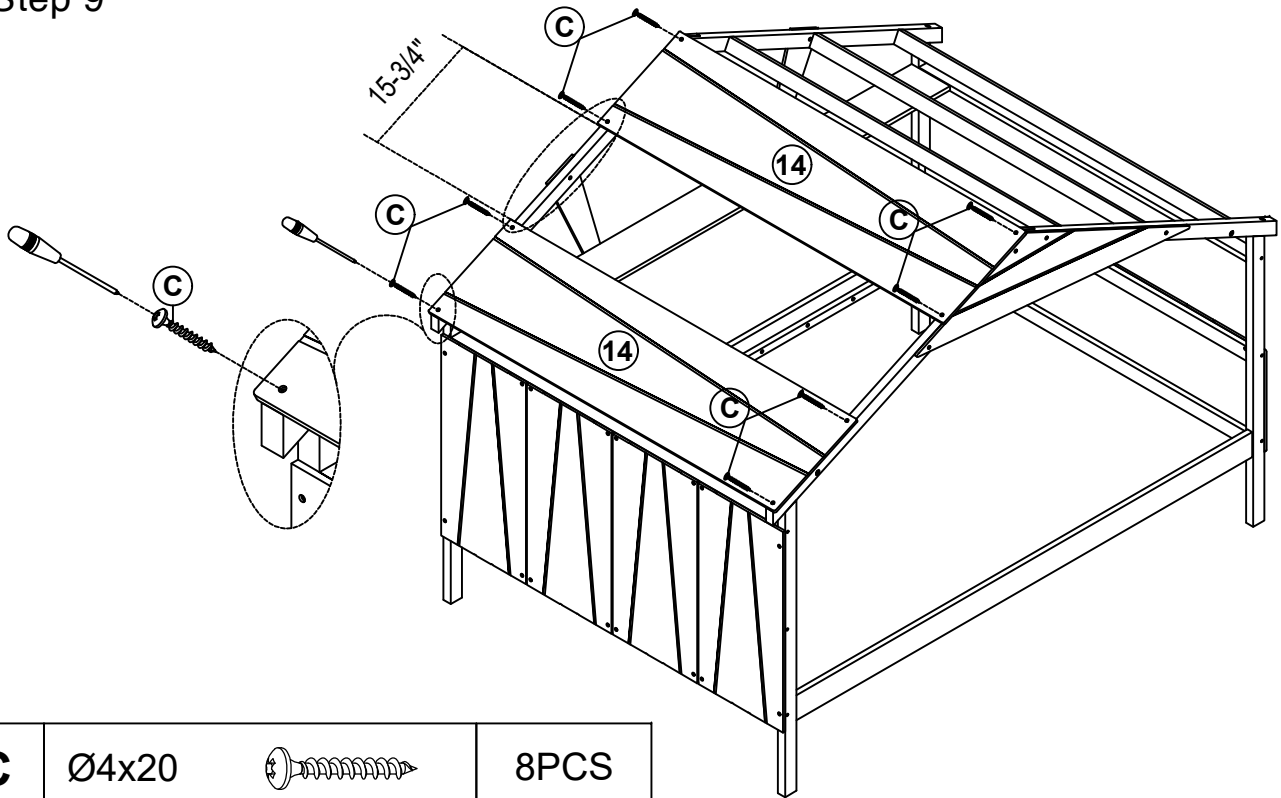


M	4x58		1PC
----------	------	---	-----

G	1/4x30	 	2PCS	F	1/4x50	 	2PCS
----------	--------	---	------	----------	--------	---	------

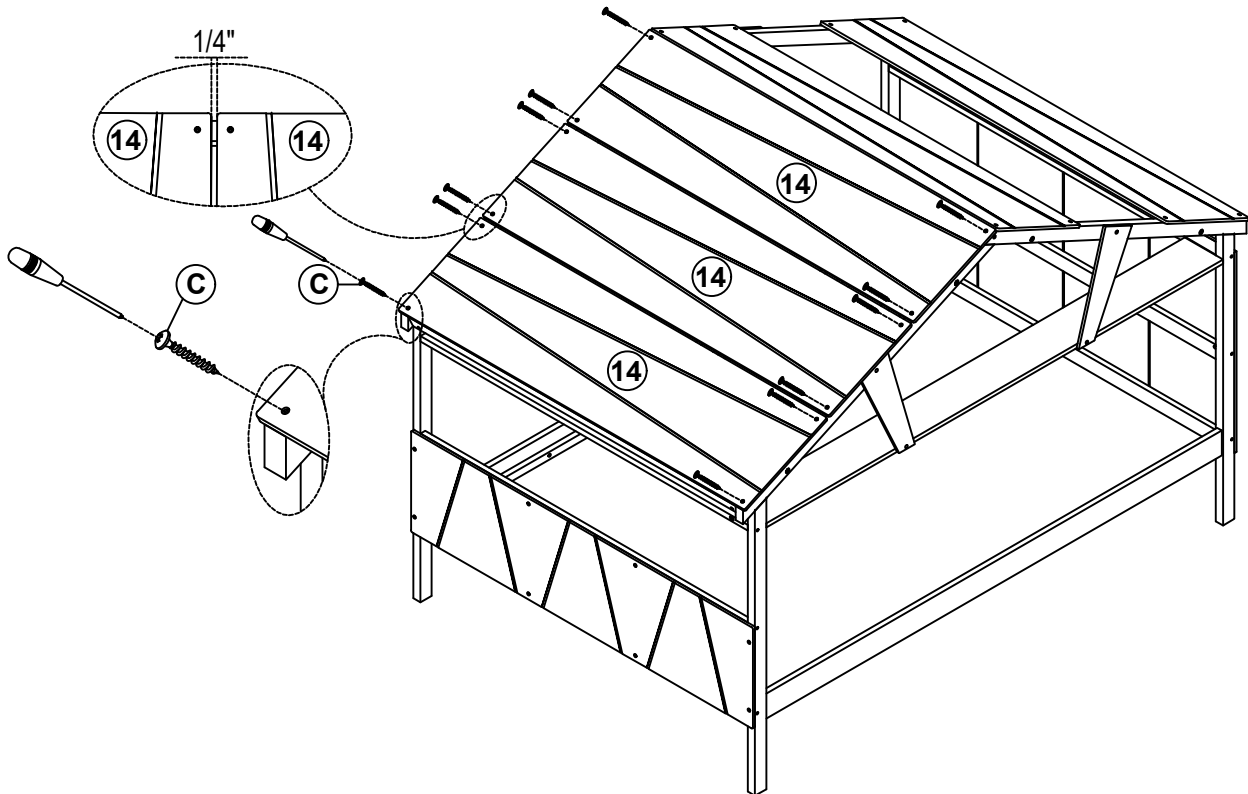
ASSEMBLY INSTRUCTIONS

Step 9



C	Ø4x20		8PCS
----------	-------	--	------

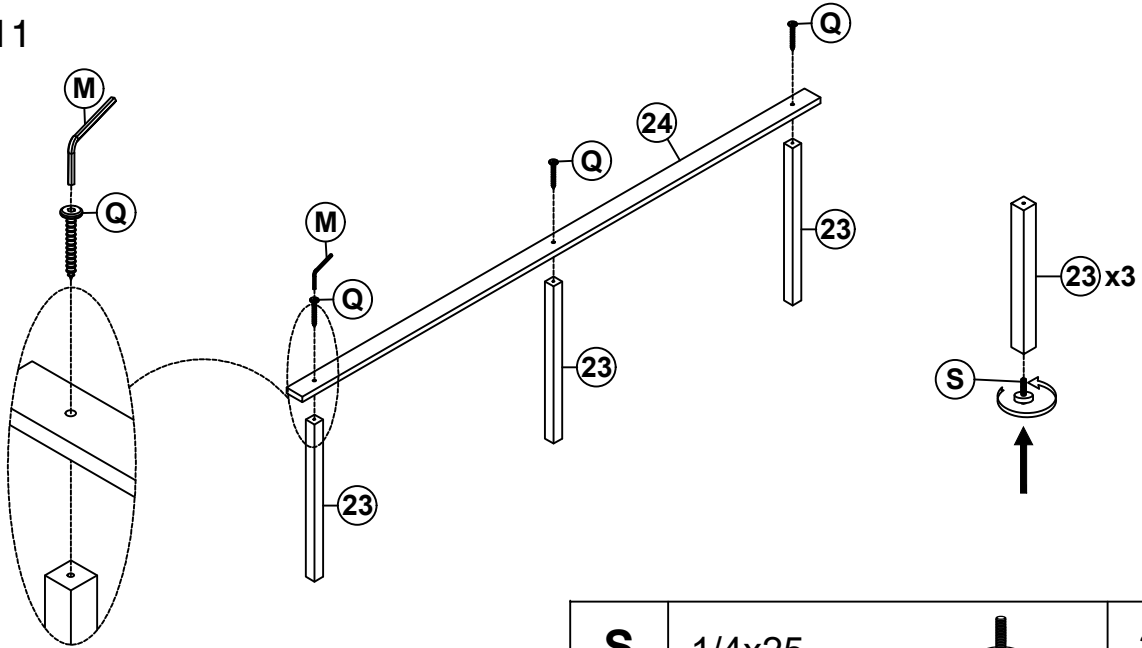
Step 10



C	Ø4x20		12PCS
----------	-------	---	-------

ASSEMBLY INSTRUCTIONS

Step 11

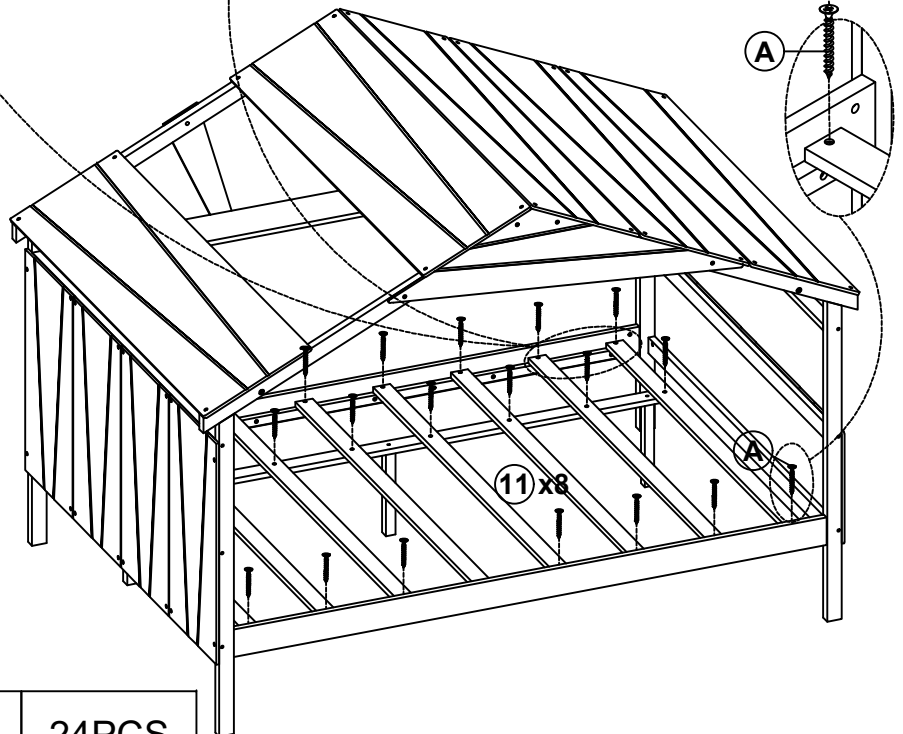
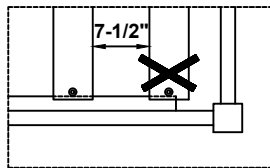
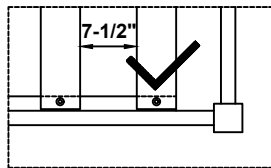



S	1/4x25		3PCS
----------	--------	---	------

Q	6.5x50		3PCS	M	4x58		1PC
----------	--------	---	------	----------	------	---	-----

Step 12

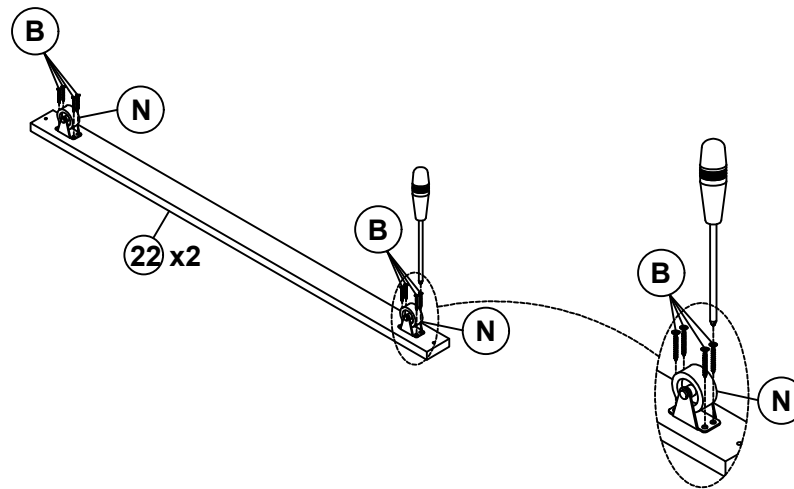
First attach 2pcs part 11 to the front and end of the frame between headboard. Then attach the remaining part 11 equidistantly between headboard



A	Ø4x30		24PCS
----------	-------	---	-------

ASSEMBLY INSTRUCTIONS

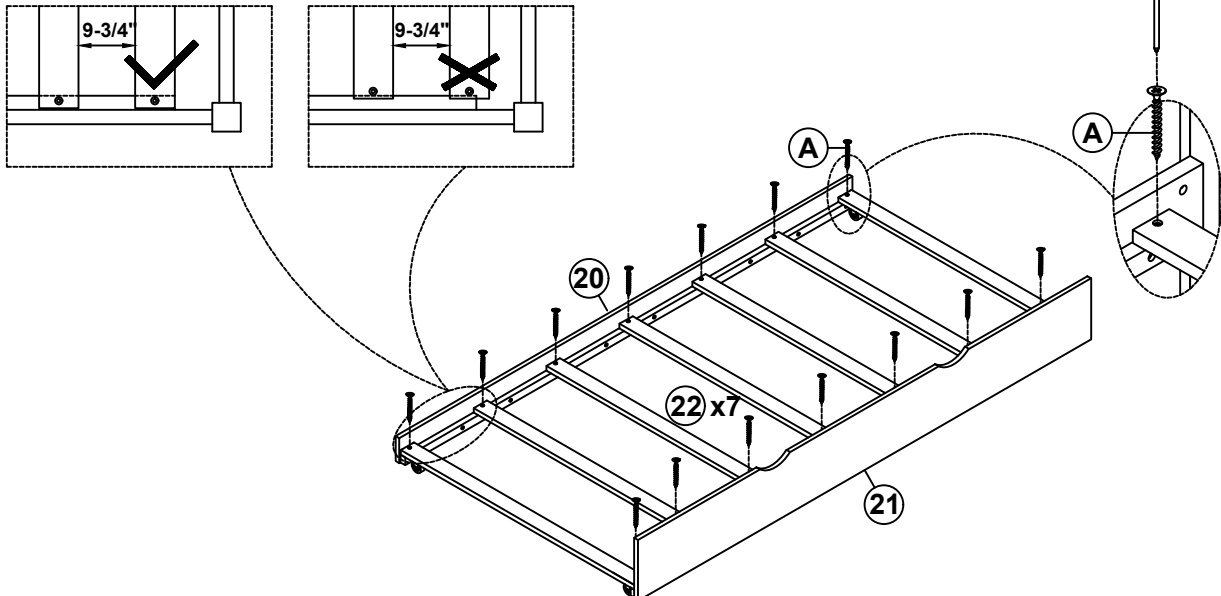
Step 13



N	Ø38x46x38		4PCS	B	Ø4x15		16PCS
----------	-----------	--	------	----------	-------	--	-------

Step 14

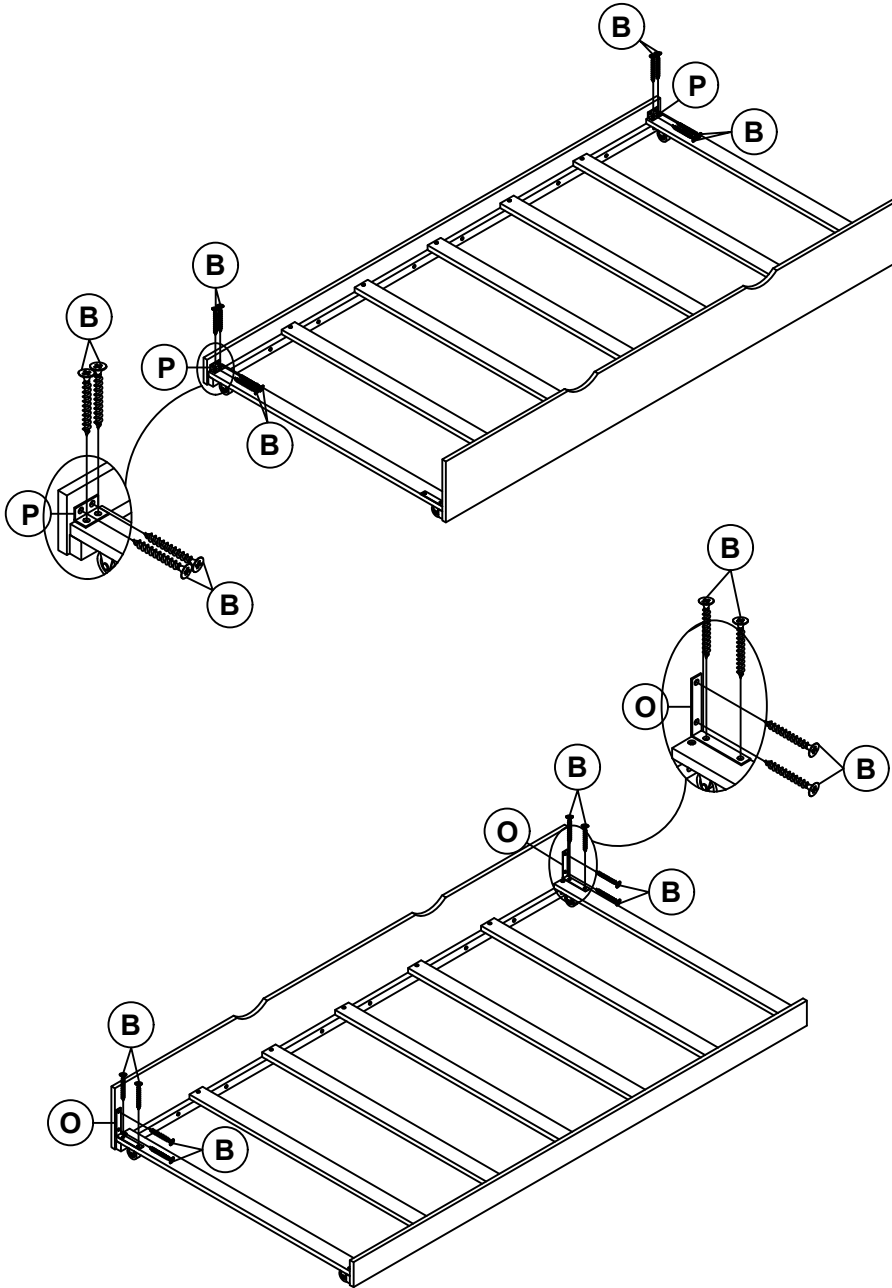
First attach 2pcs part 22 to the front and end of the frame between headboard. Then attach the remaining part 22 equidistantly between headboard



A	Ø4x30		14PCS
----------	-------	--	-------

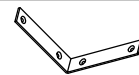
ASSEMBLY INSTRUCTIONS

Step 15



O

95x95x20



2PCS

B

Ø4x15



16PCS

P

40x20x20



2PCS

ASSEMBLY INSTRUCTIONS

Step 16

