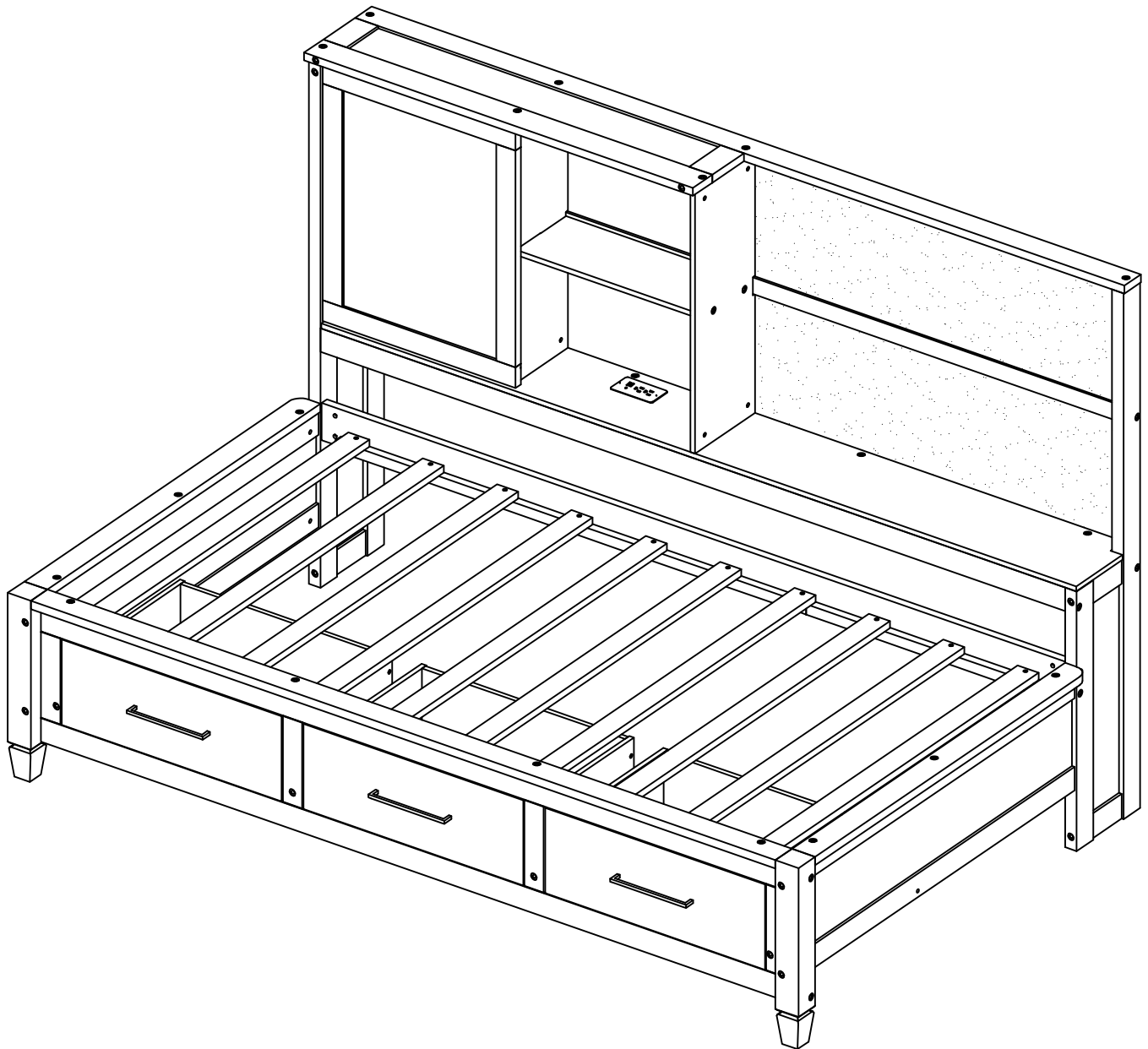
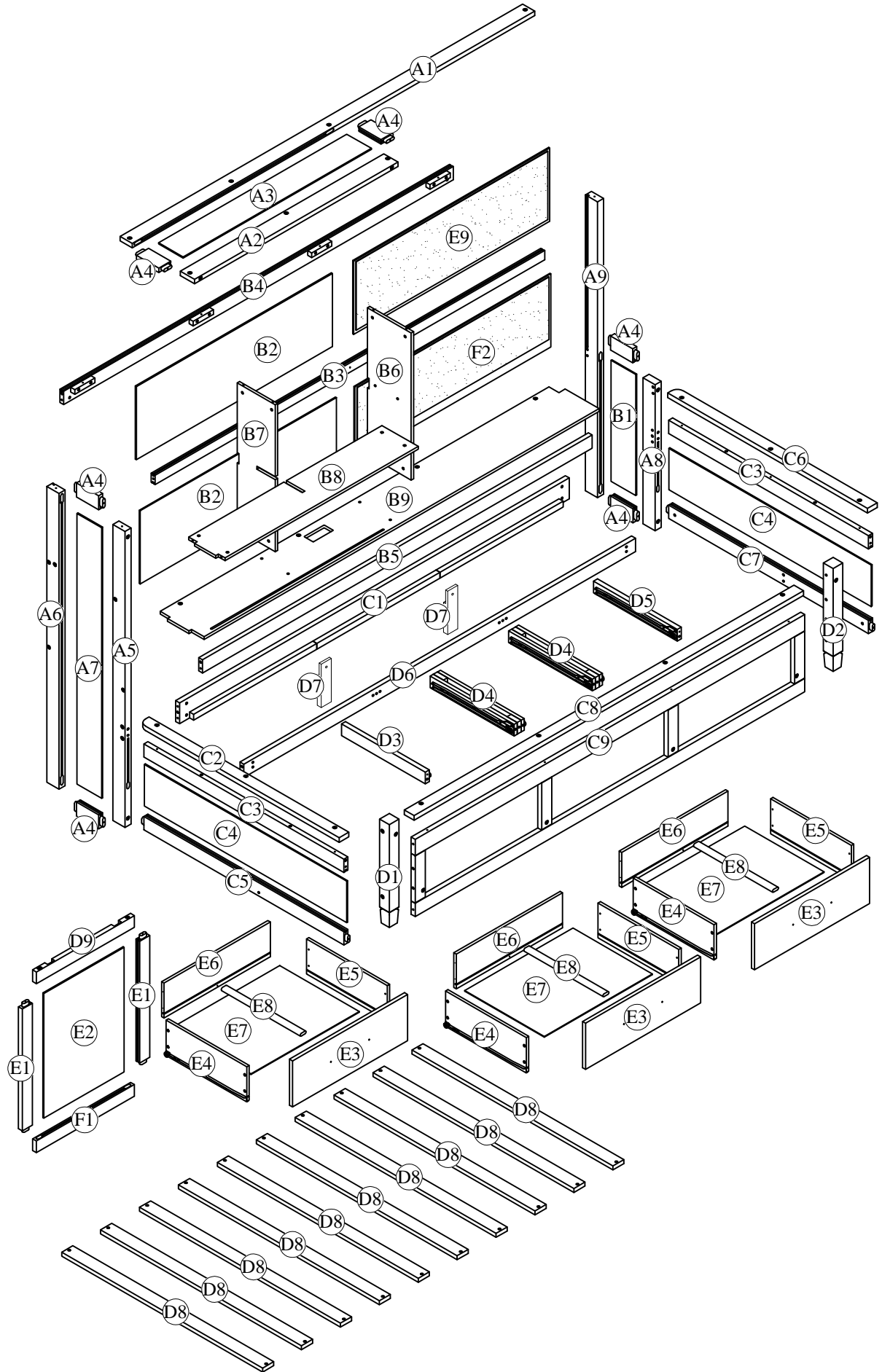


ASSEMBLY INSTRUCTION

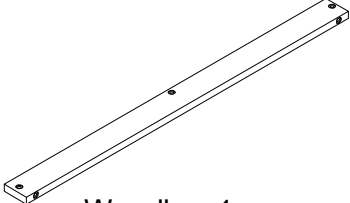
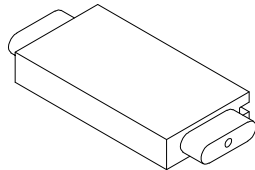

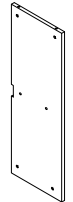
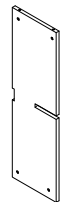
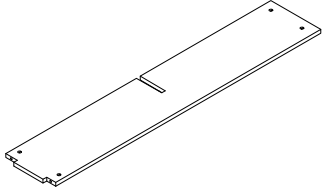
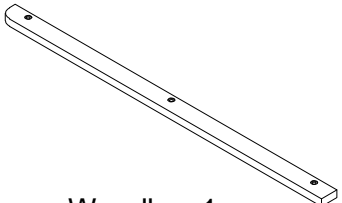
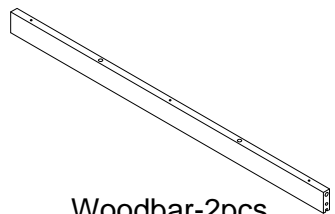
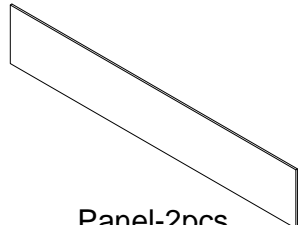
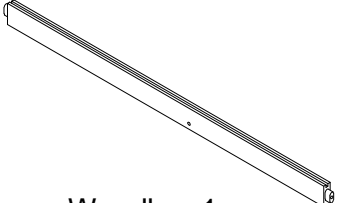
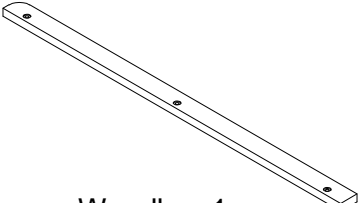
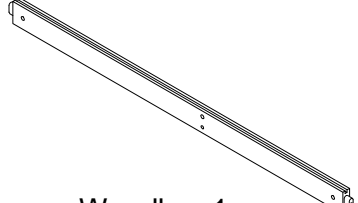
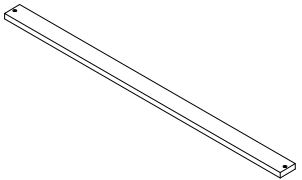
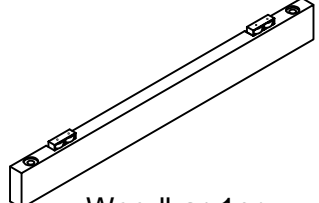
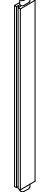
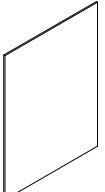
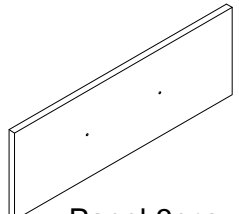
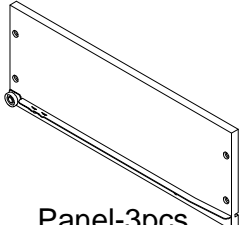
SKU CODE: (WF314728-WF314729)



ASSEMBLY INSTRUCTION

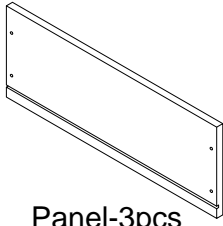


Part List & Hardware List (Box 1-WF314728)

<p>A2</p>  <p>Woodbar-1pc</p>	<p>A4</p>  <p>Woodbar-6pcs</p>	<p>B2</p>  <p>Panel-2pcs</p>
<p>B6</p>  <p>Panel-1pc</p>	<p>B7</p>  <p>Panel-1pc</p>	<p>B8</p>  <p>Panel-1pc</p>
<p>C2</p>  <p>Woodbar-1pc</p>	<p>C3</p>  <p>Woodbar-2pcs</p>	<p>C4</p>  <p>Panel-2pcs</p>
<p>C5</p>  <p>Woodbar-1pc</p>	<p>C6</p>  <p>Woodbar-1pc</p>	<p>C7</p>  <p>Woodbar-1pc</p>
<p>D8</p>  <p>Slat-10pcs</p>	<p>D9</p>  <p>Woodbar-1pc</p>	<p>E1</p>  <p>Woodbar-2pcs</p>
<p>E2</p>  <p>Panel-1pc</p>	<p>E3</p>  <p>Panel-3pcs</p>	<p>E4</p>  <p>Panel-3pcs</p>

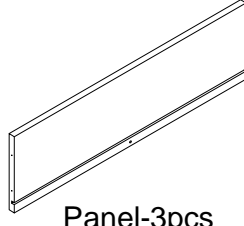
Part List & Hardware List (Box 1-WF314728)

E5



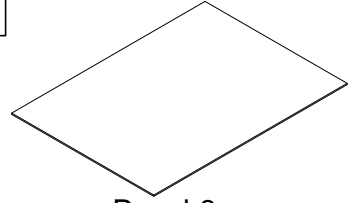
Panel-3pcs

E6



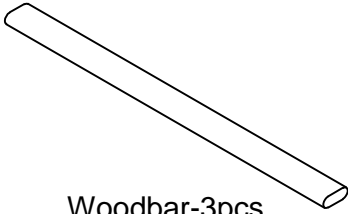
Panel-3pcs

E7



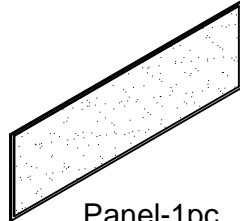
Panel-3pcs

E8



Woodbar-3pcs

E9



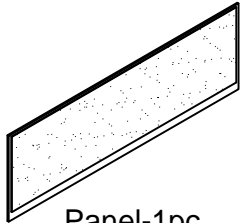
Panel-1pc

F1



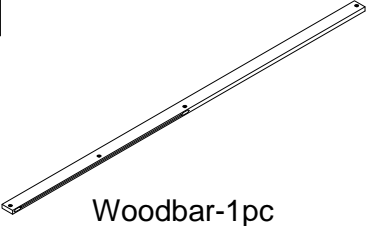
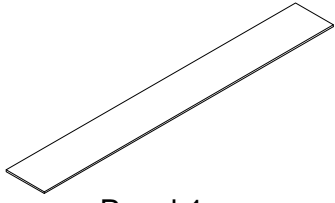


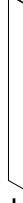



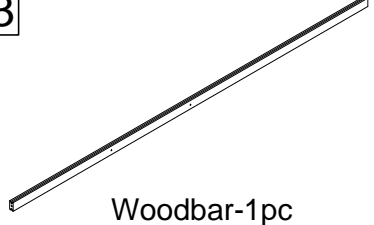
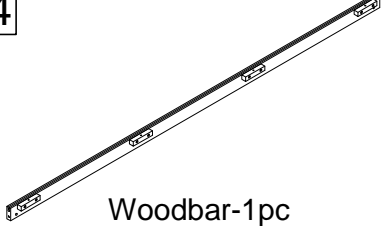
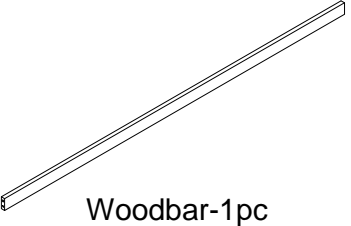
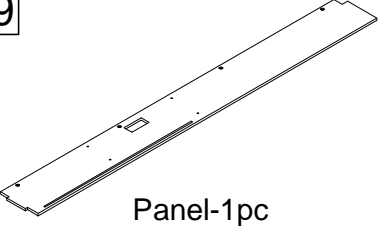
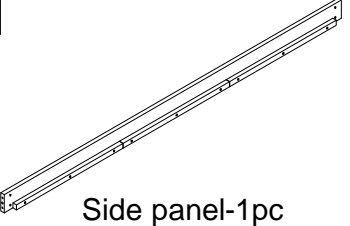
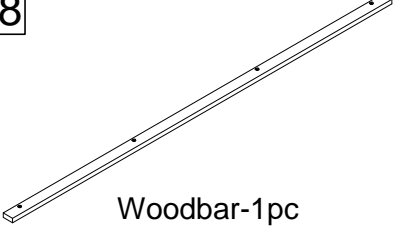
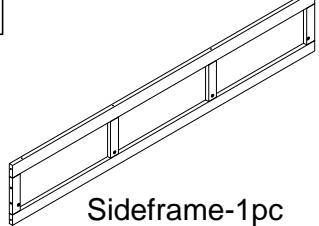


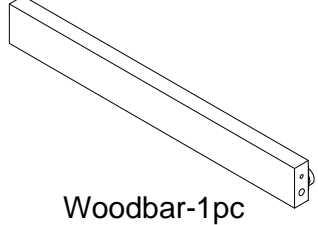
Woodbar-1pc

F2



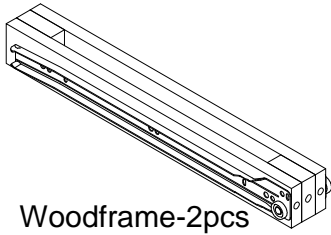
Panel-1pc

Part List (Box 2-WF314729)

<p>A1</p>  <p>Woodbar-1pc</p>	<p>A3</p>  <p>Panel-1pc</p>	<p>A5</p>  <p>Woodleg-1pc</p>
<p>A6</p>  <p>Woodleg-1pc</p>	<p>A7</p>  <p>Panel-1pc</p>	<p>A8</p>  <p>Woodleg-1pc</p>
<p>A9</p>  <p>Woodleg-1pc</p>	<p>B1</p>  <p>Panel-1pc</p>	<p>B3</p>  <p>Woodbar-1pc</p>
<p>B4</p>  <p>Woodbar-1pc</p>	<p>B5</p>  <p>Woodbar-1pc</p>	<p>B9</p>  <p>Panel-1pc</p>
<p>C1</p>  <p>Side panel-1pc</p>	<p>C8</p>  <p>Woodbar-1pc</p>	<p>C9</p>  <p>Sideframe-1pc</p>
<p>D1</p>  <p>Woodleg-1pc</p>	<p>D2</p>  <p>Woodleg-1pc</p>	<p>D3</p>  <p>Woodbar-1pc</p>

Part List (Box 2-WF314729)

D4



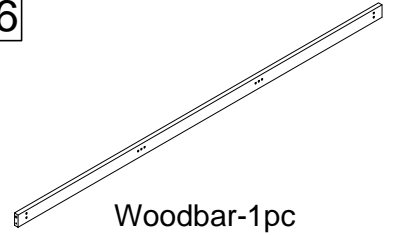
Woodframe-2pcs

D5



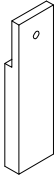
Woodbar-1pc

D6



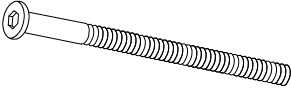

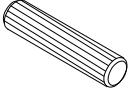
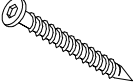
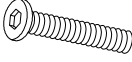
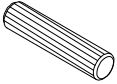
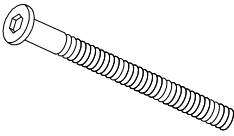
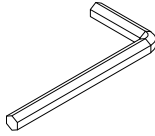
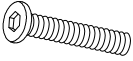
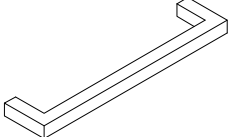
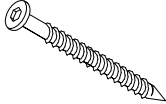
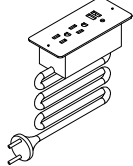
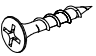

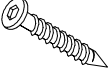
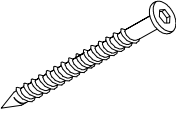
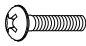

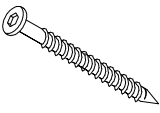
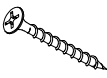
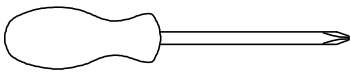
Woodbar-1pc

D7

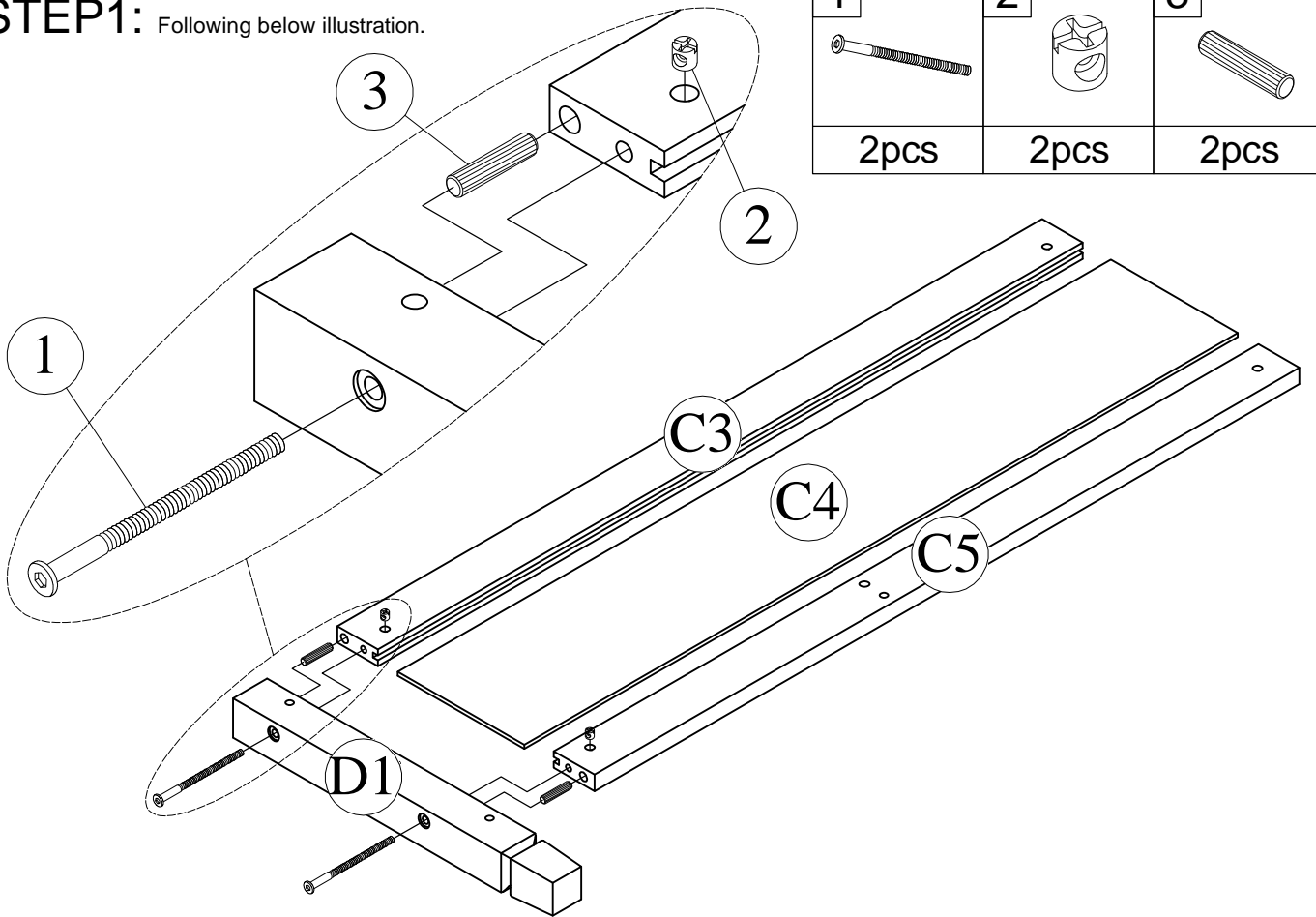




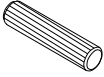
Woodbar-2pcs

Hardware List (Box 1-WF314728)

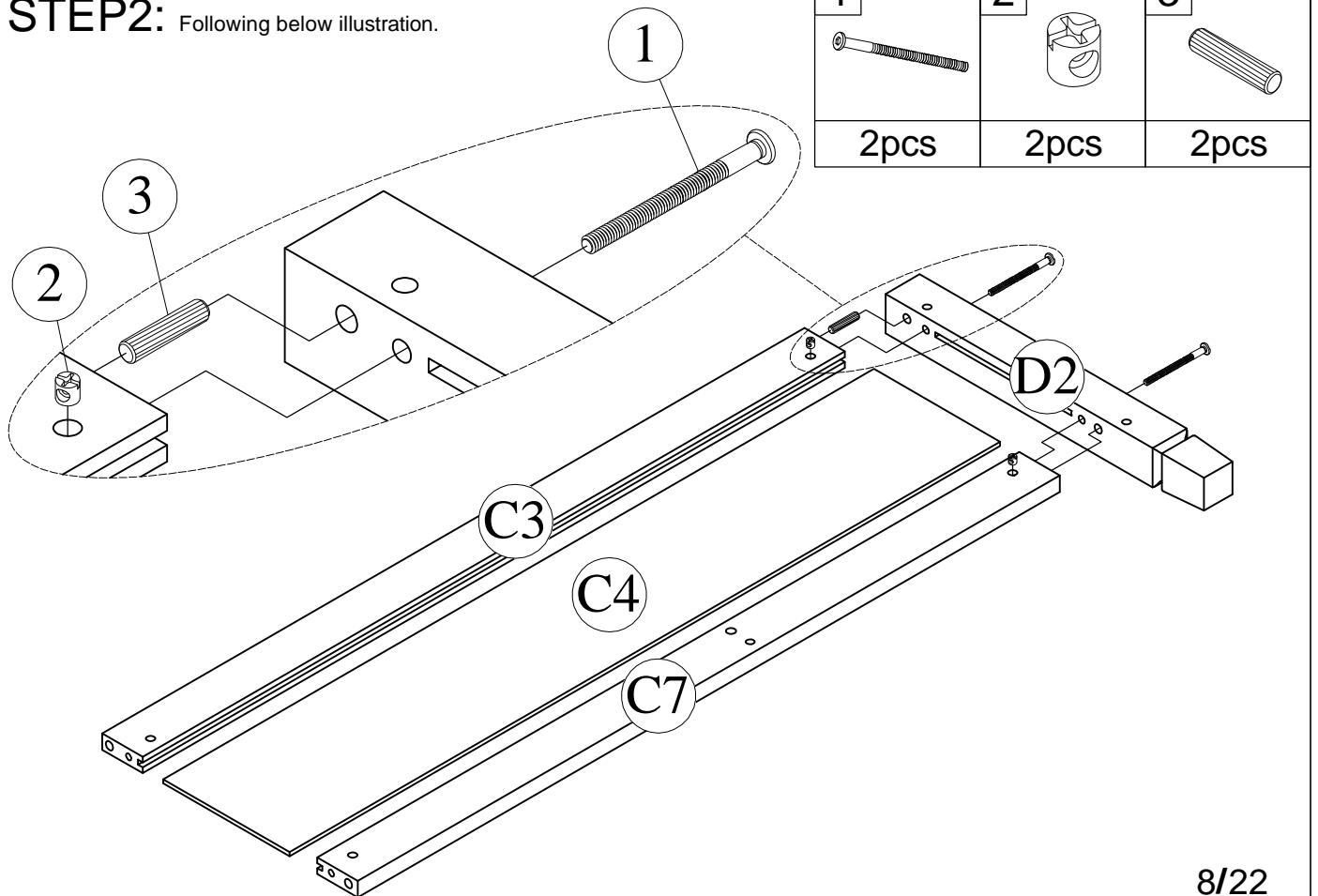
<p>1</p>  <p>Ø1/4" x 100 mm Hex-Head bolts 12pcs</p>	<p>2</p>  <p>Ø1/4" x 12 mm Horizontal-Hole bolts 36pcs</p>	<p>3</p>  <p>Ø10 x 40 mm Wood dowel 18pcs</p>
<p>4</p>  <p>Screws 1/4" x40 17pcs</p>	<p>5</p>  <p>Ø1/4" x 30 mm Hex-Head bolts 2pcs</p>	<p>6</p>  <p>Ø8 x 30 mm Wood dowel 19pcs</p>
<p>7</p>  <p>Ø1/4" x 80 mm Hex-Head bolts 10pcs</p>	<p>8</p>  <p>Allen Key 1pc</p>	<p>9</p>  <p>Ø1/4" x 40 mm Hex-Head bolts 2pcs</p>
<p>10</p>  <p>Metal Handle 3pcs</p>	<p>11</p>  <p>Screws 1/4" x 70 8pcs</p>	<p>12</p>  <p>USB 1pc</p>
<p>13</p>  <p>M3 x 12 mm Wood Screws 8pcs</p>	<p>14</p>  <p>Metal L pat - 3pcs</p>	<p>15</p>  <p>Screws 1/4" x30 4pcs</p>
<p>16</p>  <p>Screws 1/4" x 80 4pcs</p>	<p>17</p>  <p>Bolt Ø1/6" x 20 mm 6pcs</p>	<p>18</p>  <p>Ø1/4" x 60 mm Hex-Head bolts 14pcs</p>
<p>19</p>  <p>Screws 1/4" x60 4pcs</p>	<p>20</p>  <p>M4 x 30 mm Wood Screws 49pcs</p>	 <p>Assembly Tools Required (Not Included)</p>



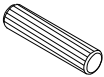
STEP1: Following below illustration.





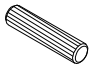
1	2	3
		
2pcs	2pcs	2pcs

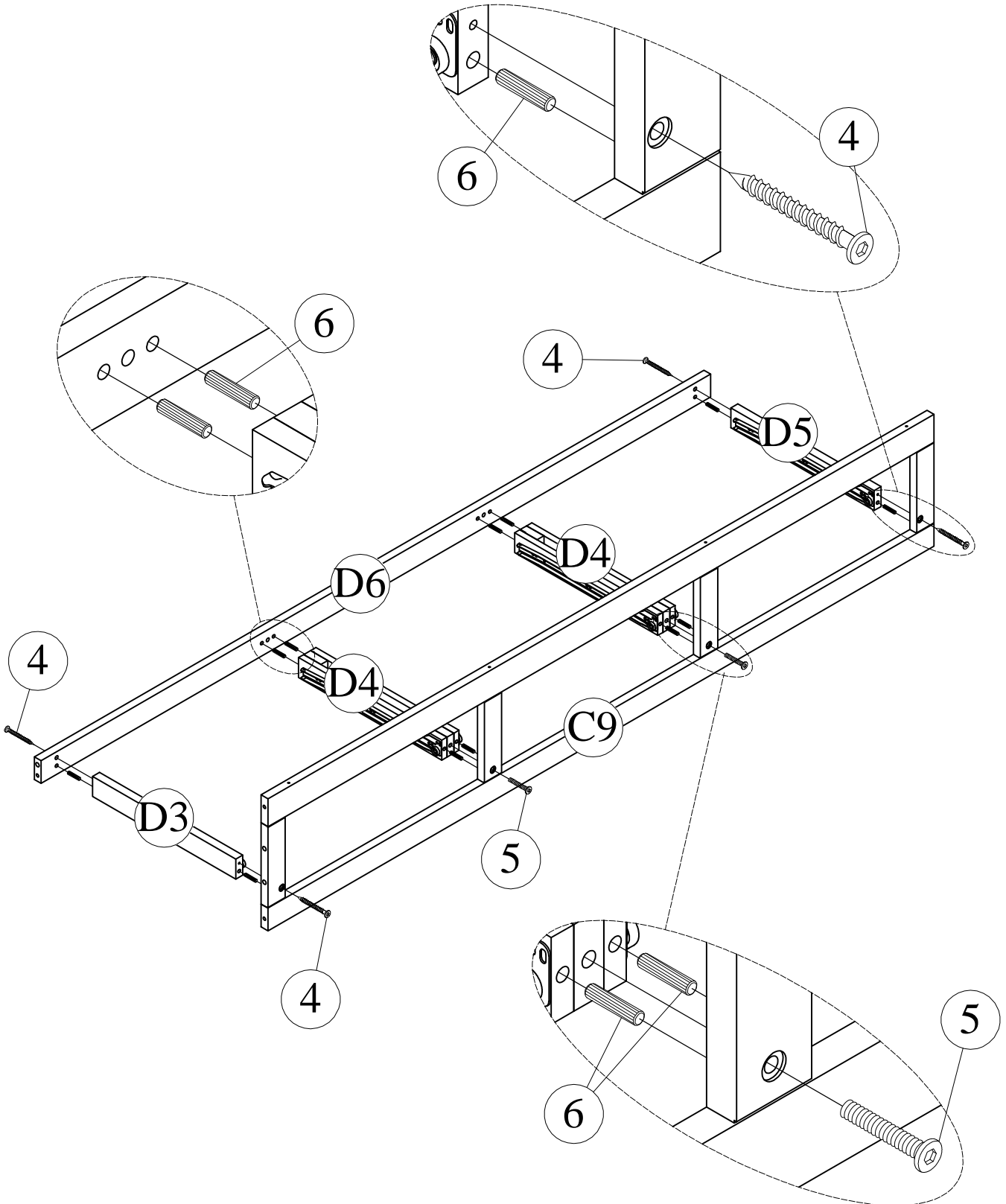
STEP2: Following below illustration.





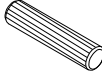

1	2	3
		
2pcs	2pcs	2pcs

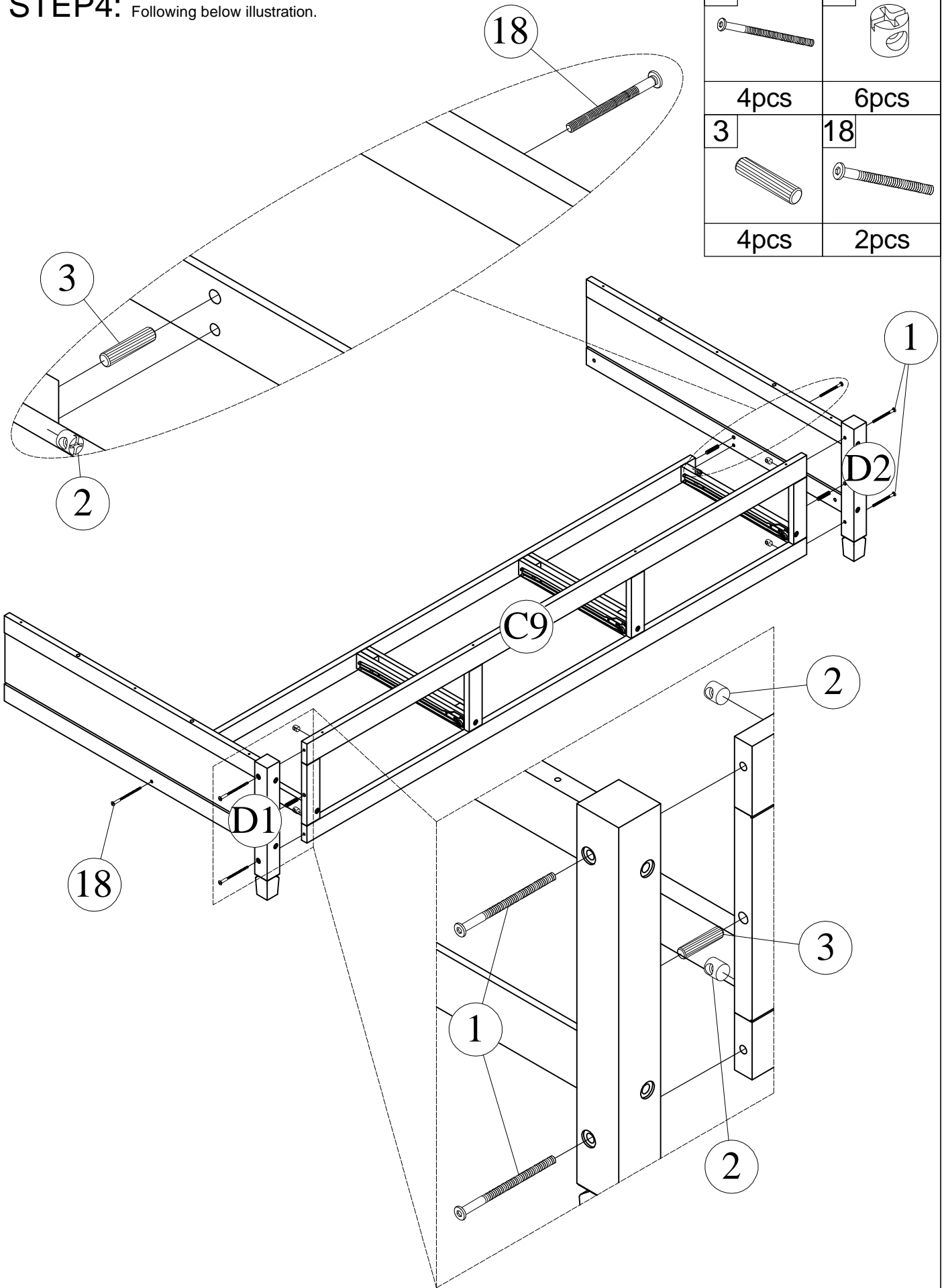
STEP3: Following below illustration.

4	5	6
		
4pcs	2pcs	12pcs

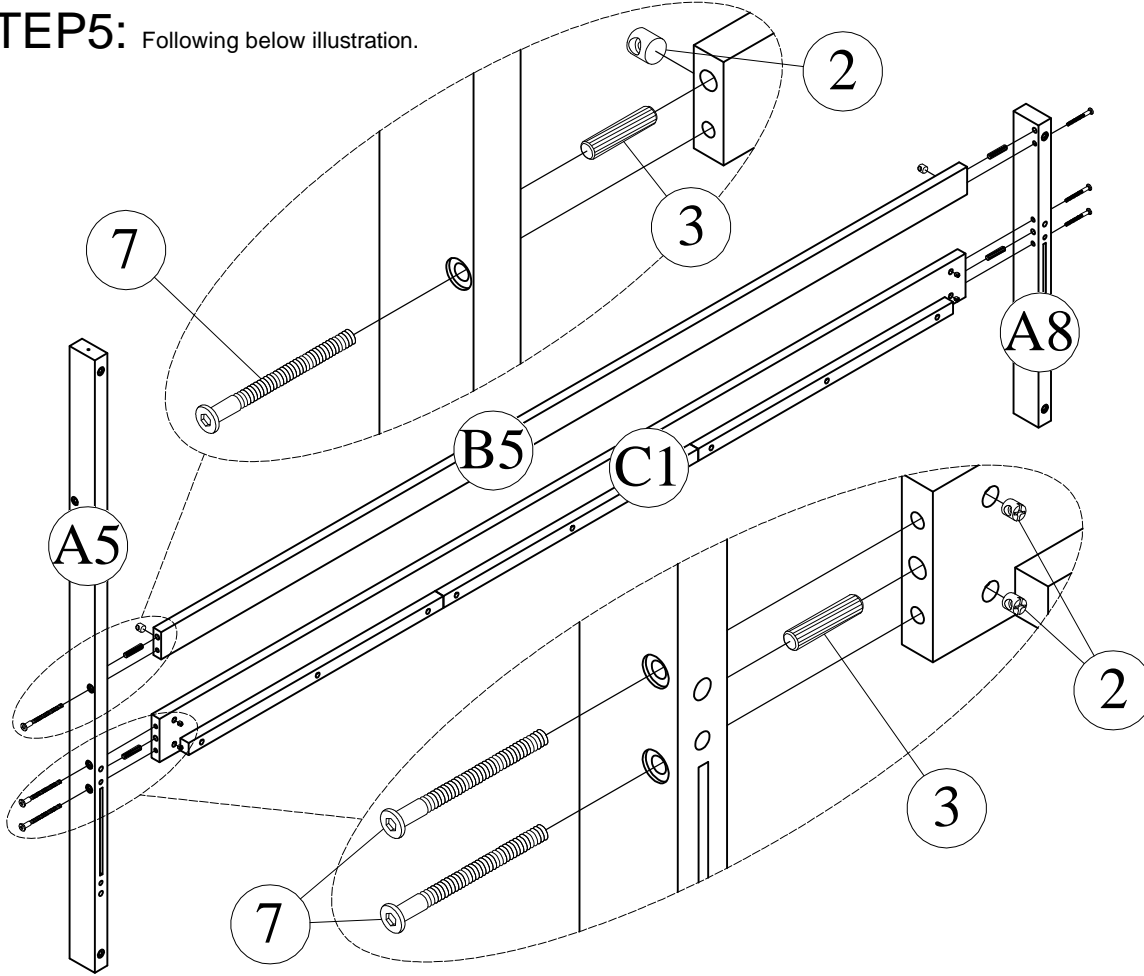


STEP4: Following below illustration.

1	2
	
4pcs	6pcs
3	18
	
4pcs	2pcs

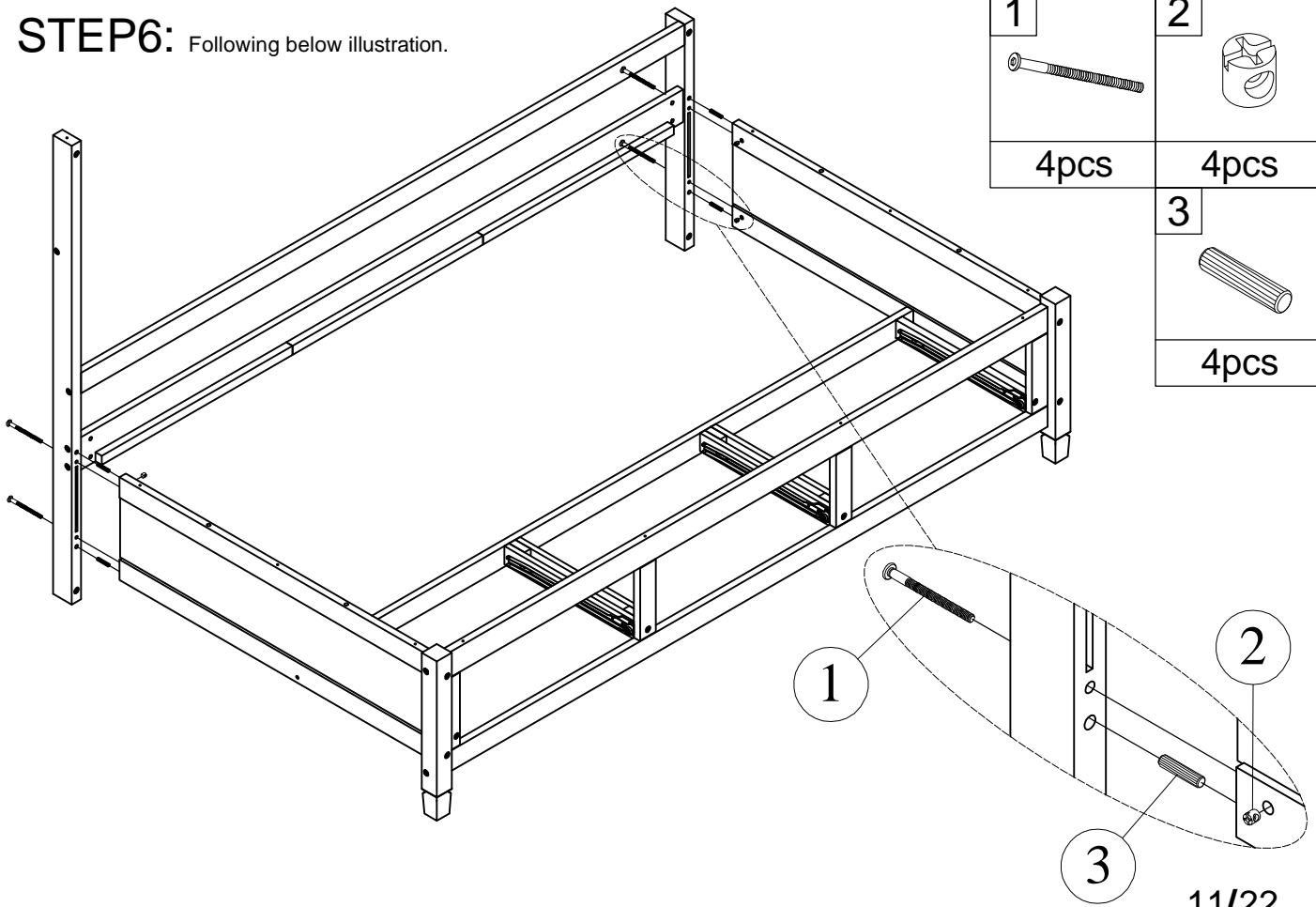


STEP5: Following below illustration.




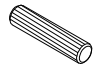
2	
6pcs	
3	
4pcs	
7	
6pcs	

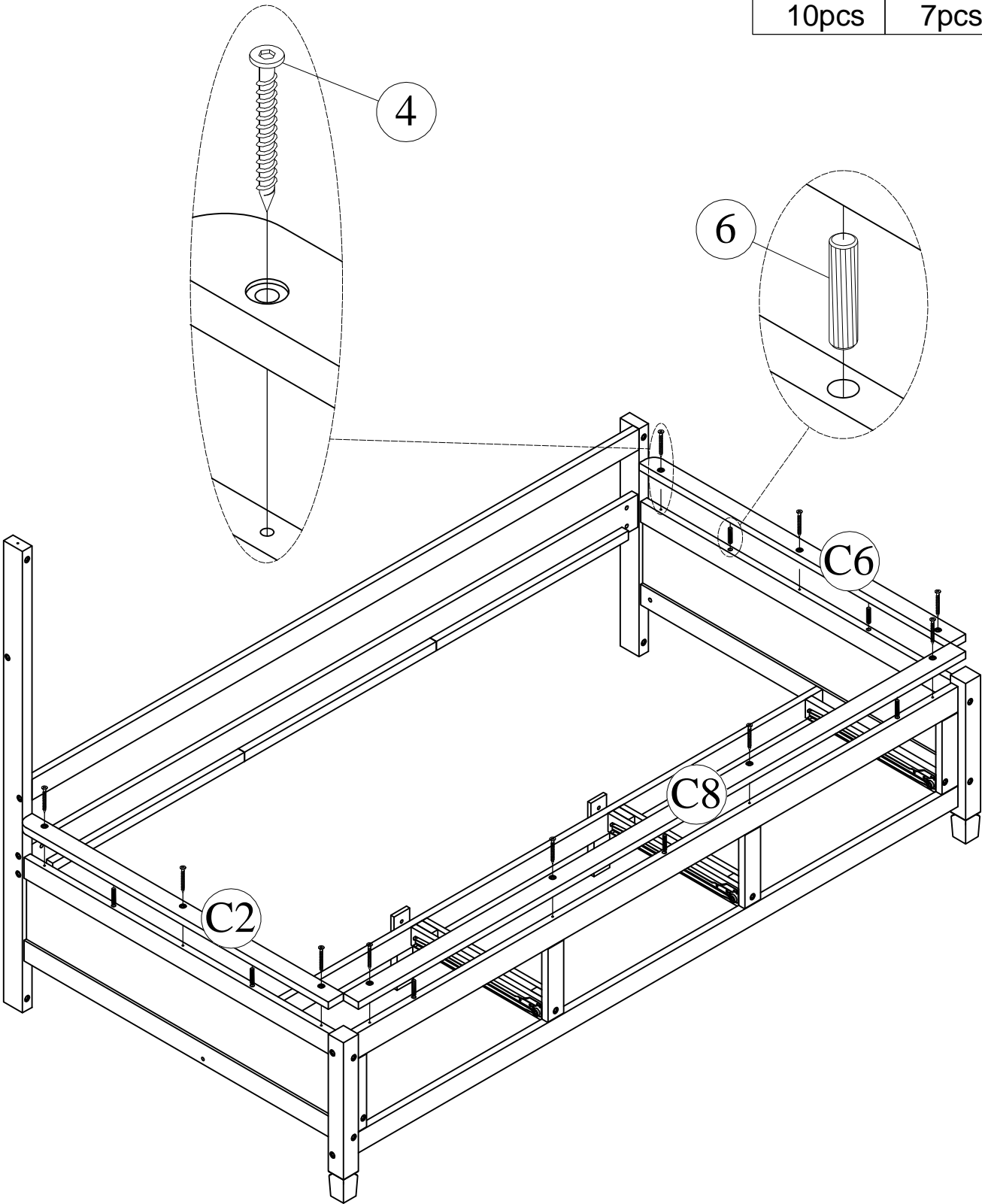
STEP6: Following below illustration.




1		2	
4pcs		4pcs	
		3	
		4pcs	

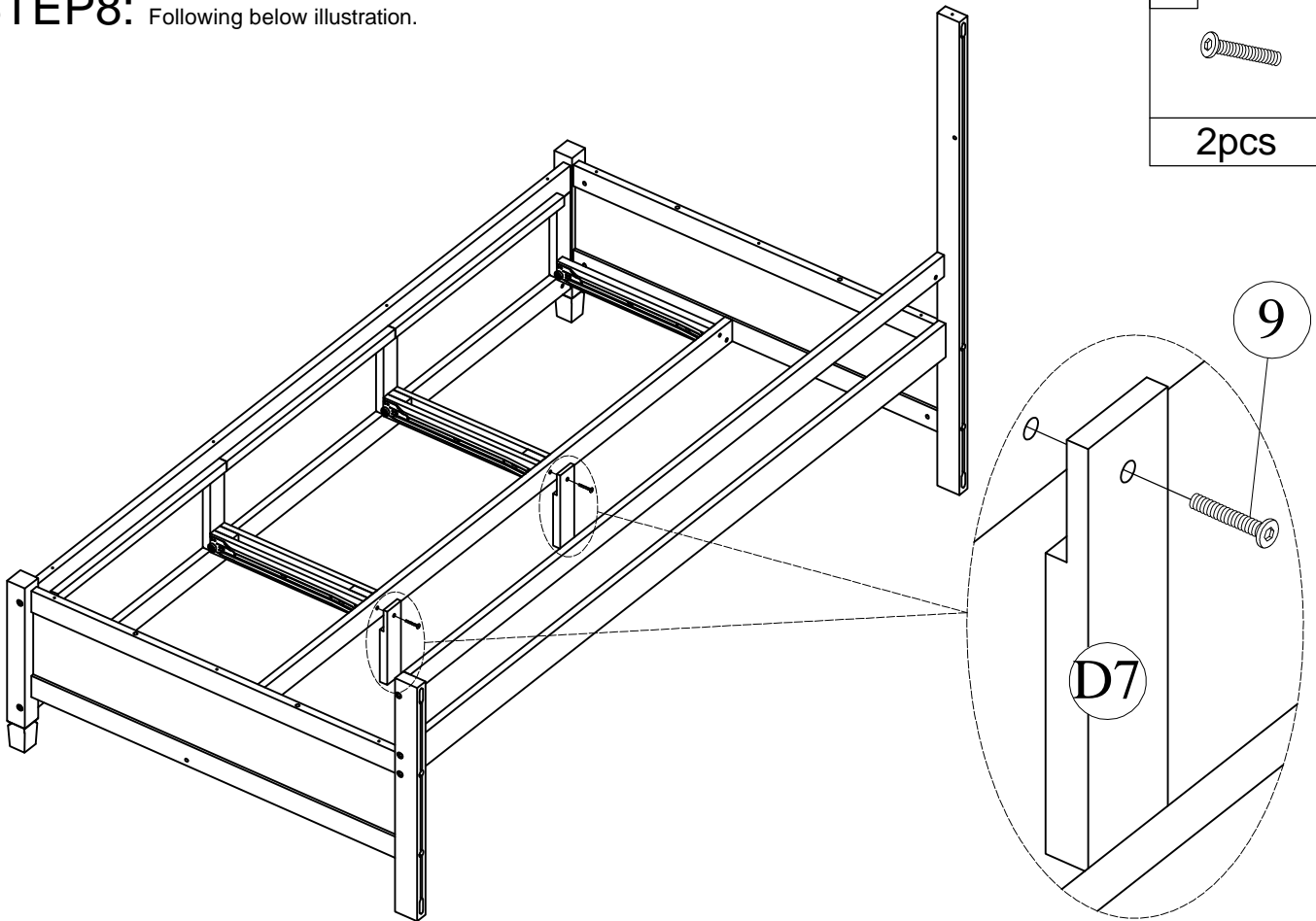
STEP7: Following below illustration.

4	6
	
10pcs	7pcs


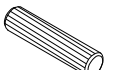
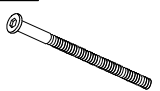


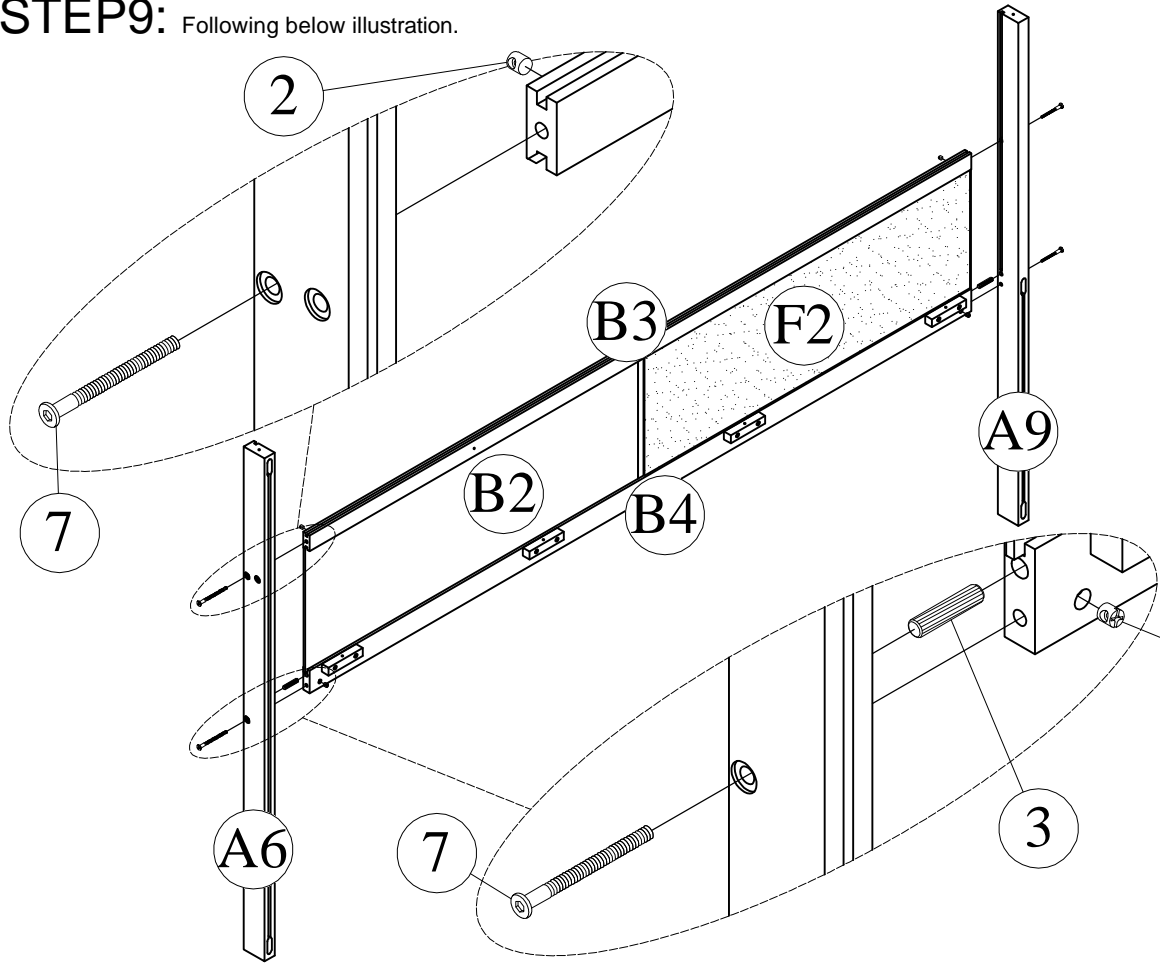
STEP8: Following below illustration.

- | | |
|------|---|
| 9 |  |
| 2pcs | |

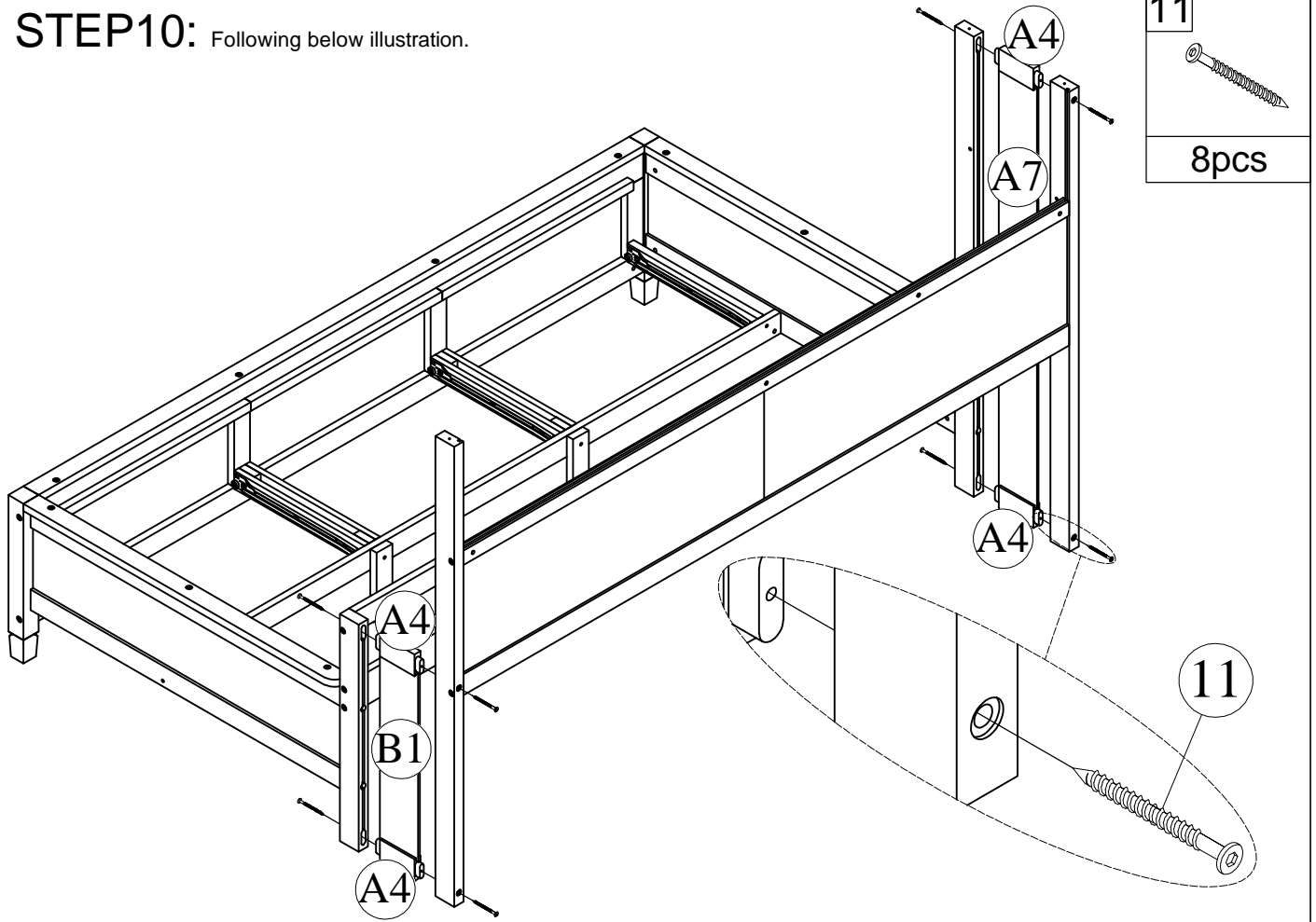


STEP9: Following below illustration.

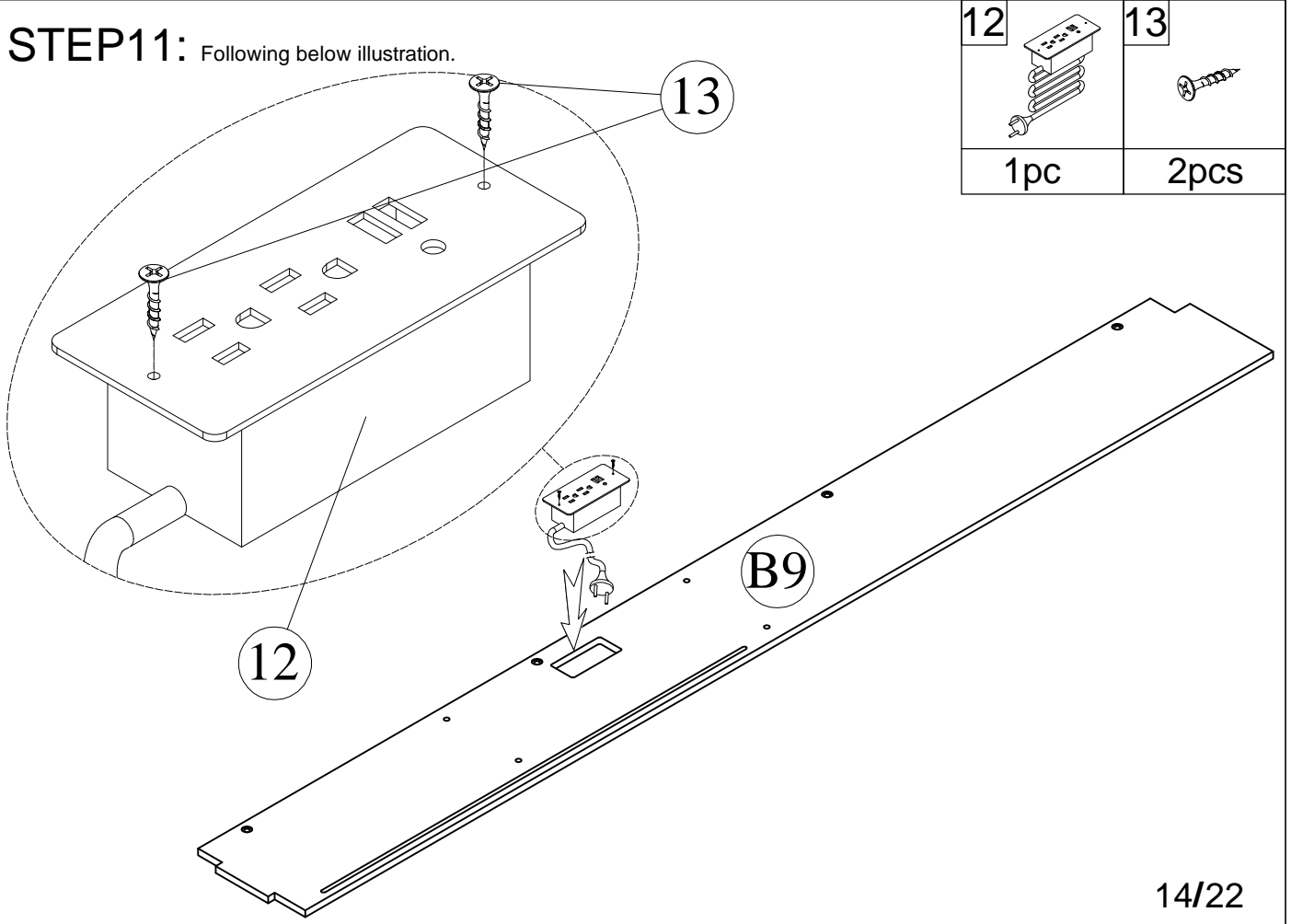
- | | |
|------|---|
| 2 |  |
| 4pcs | |
| 3 |  |
| 2pcs | |
| 7 |  |
| 4pcs | |



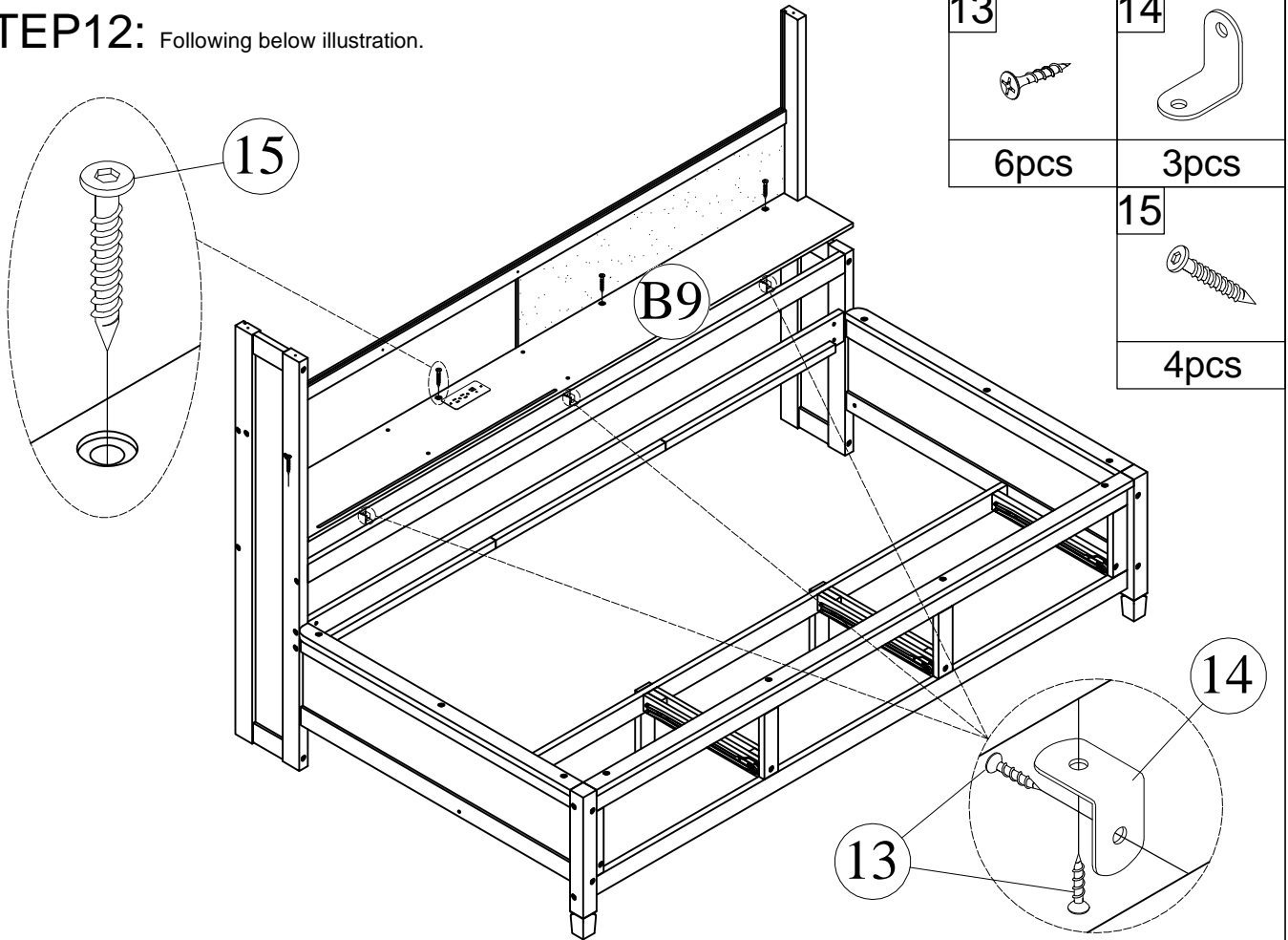
STEP10: Following below illustration.



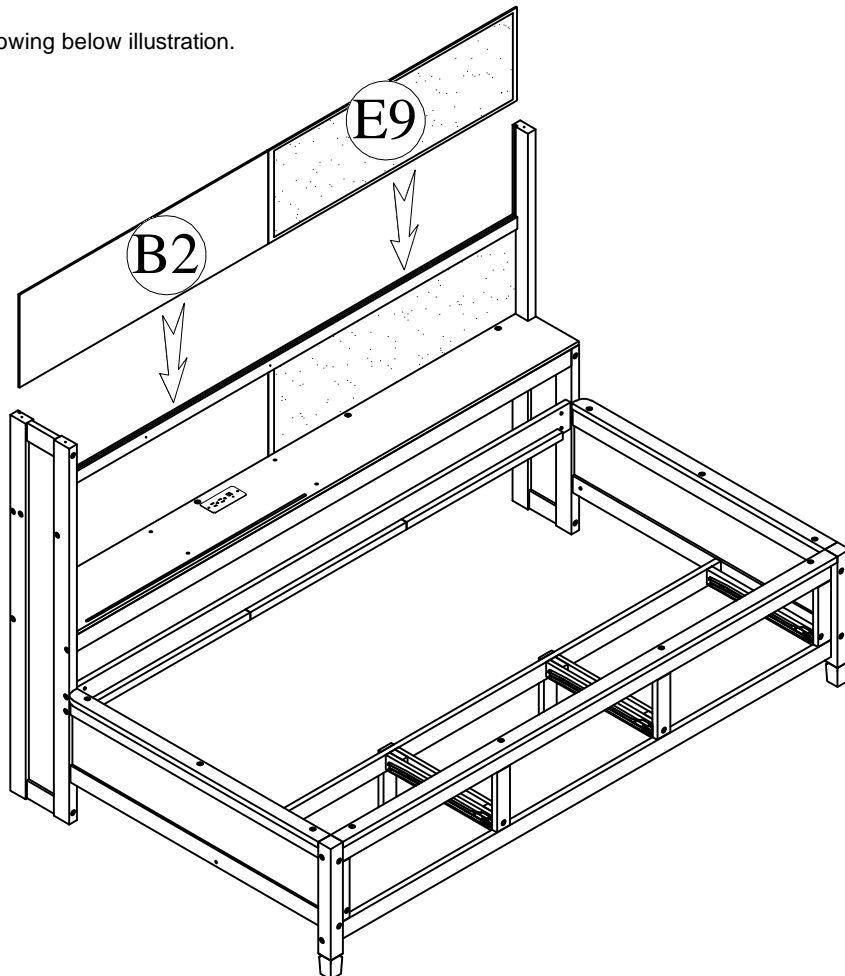
STEP11: Following below illustration.



STEP12: Following below illustration.

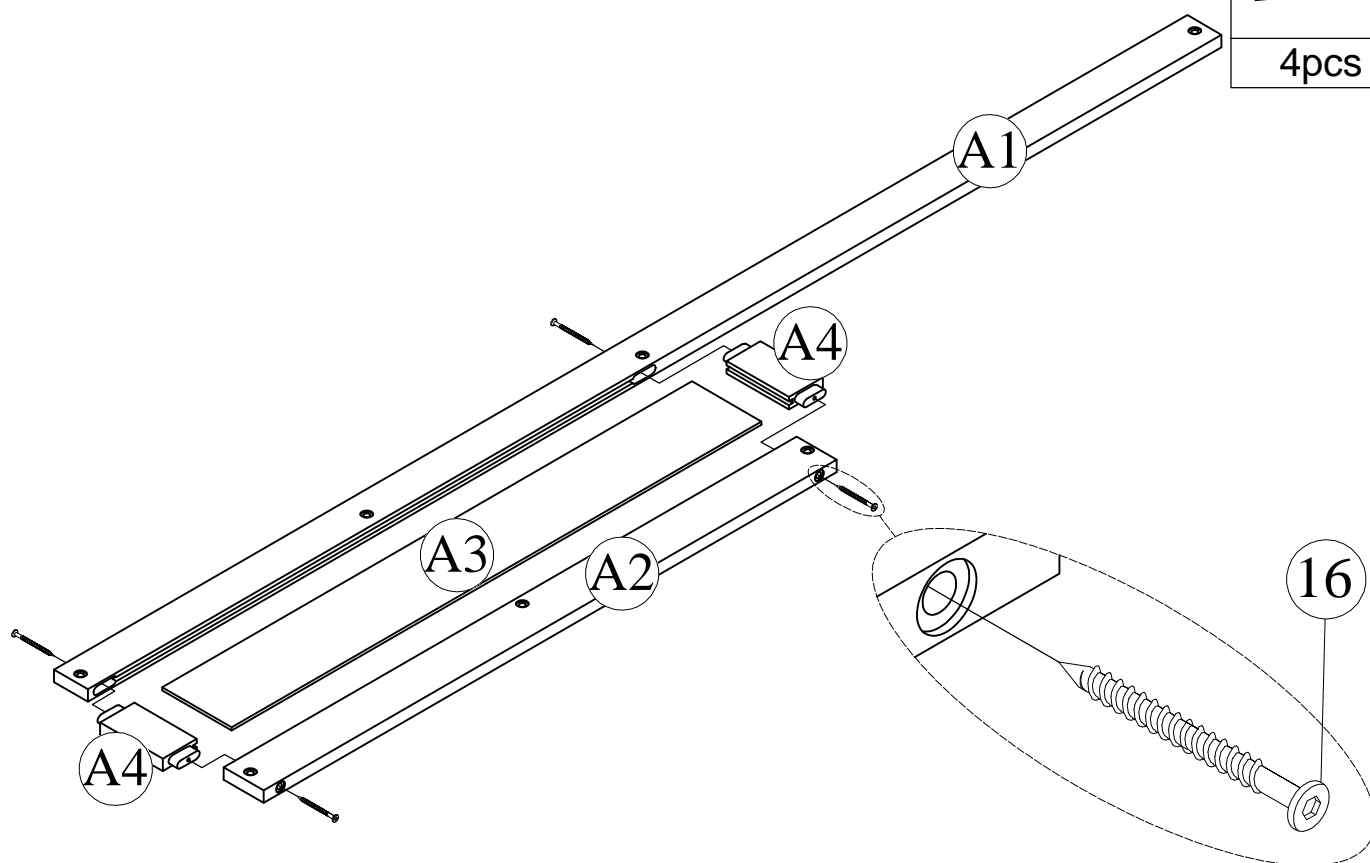


STEP13: Following below illustration.



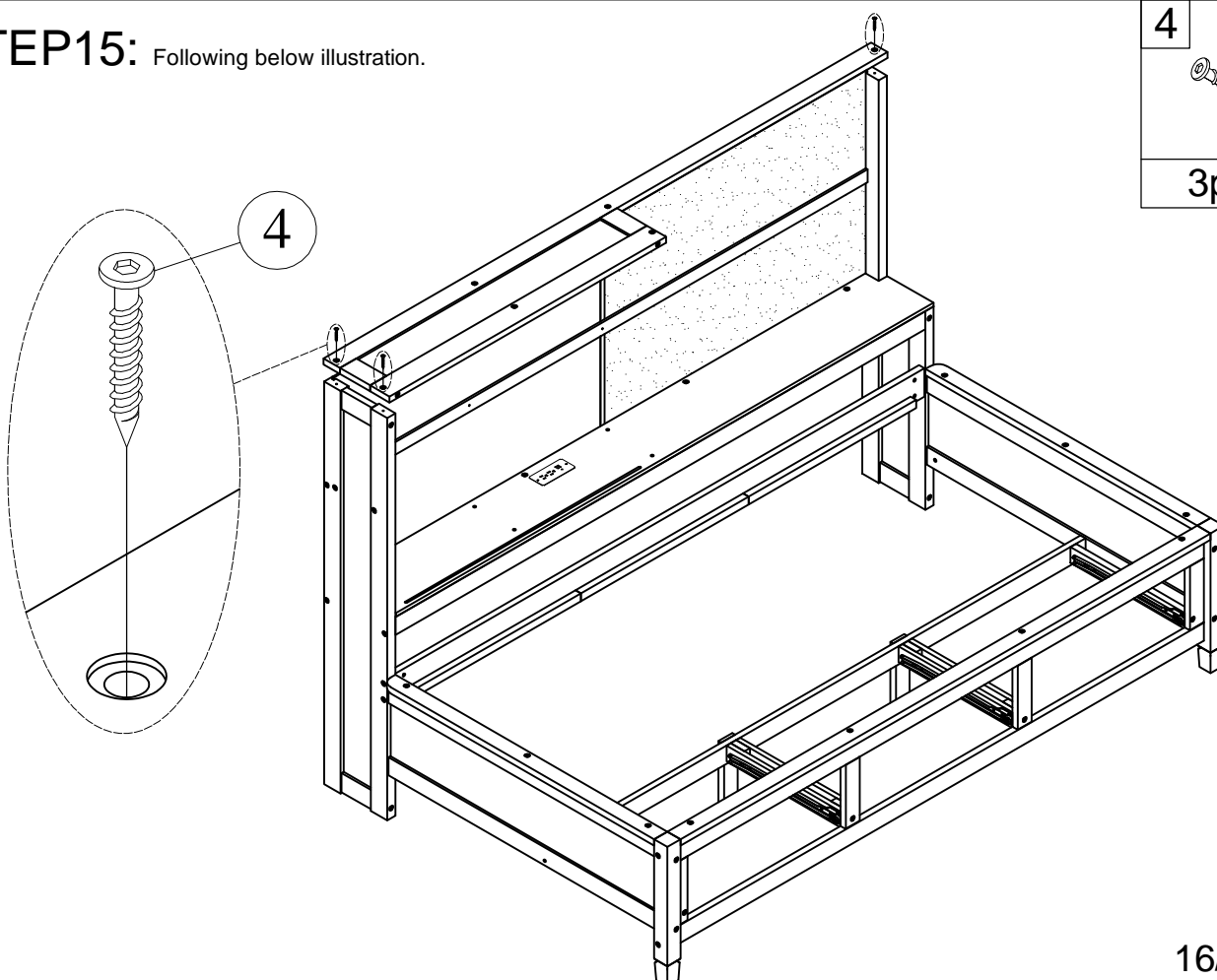
STEP14: Following below illustration.

16
4pcs

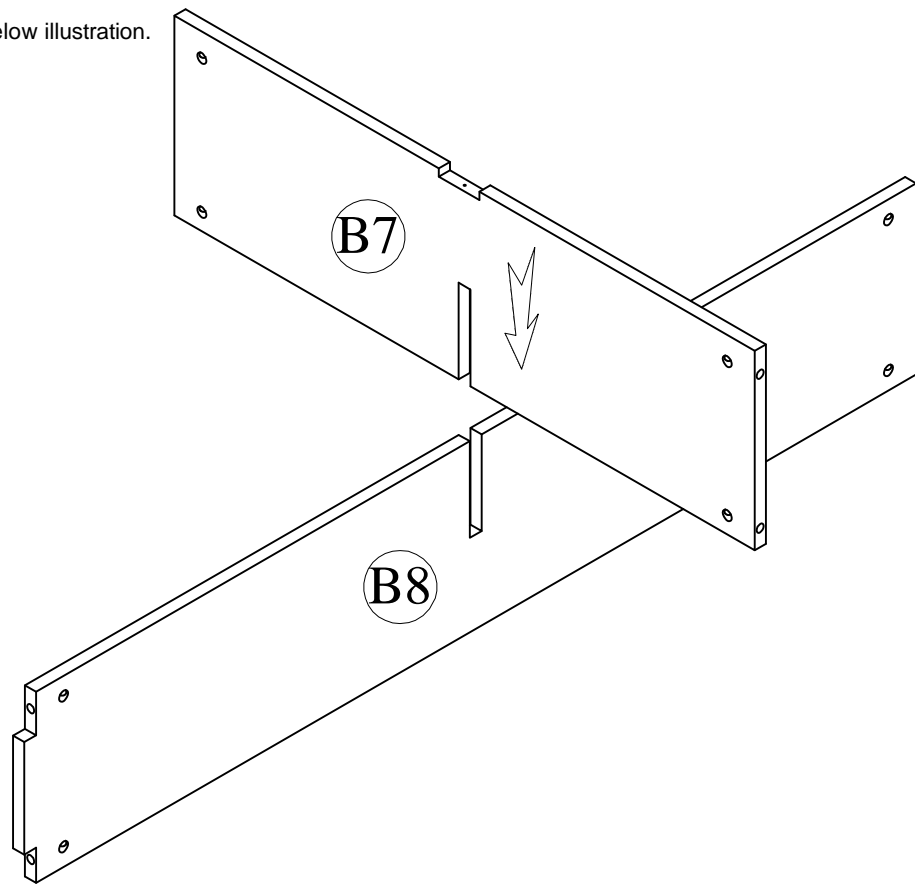


STEP15: Following below illustration.

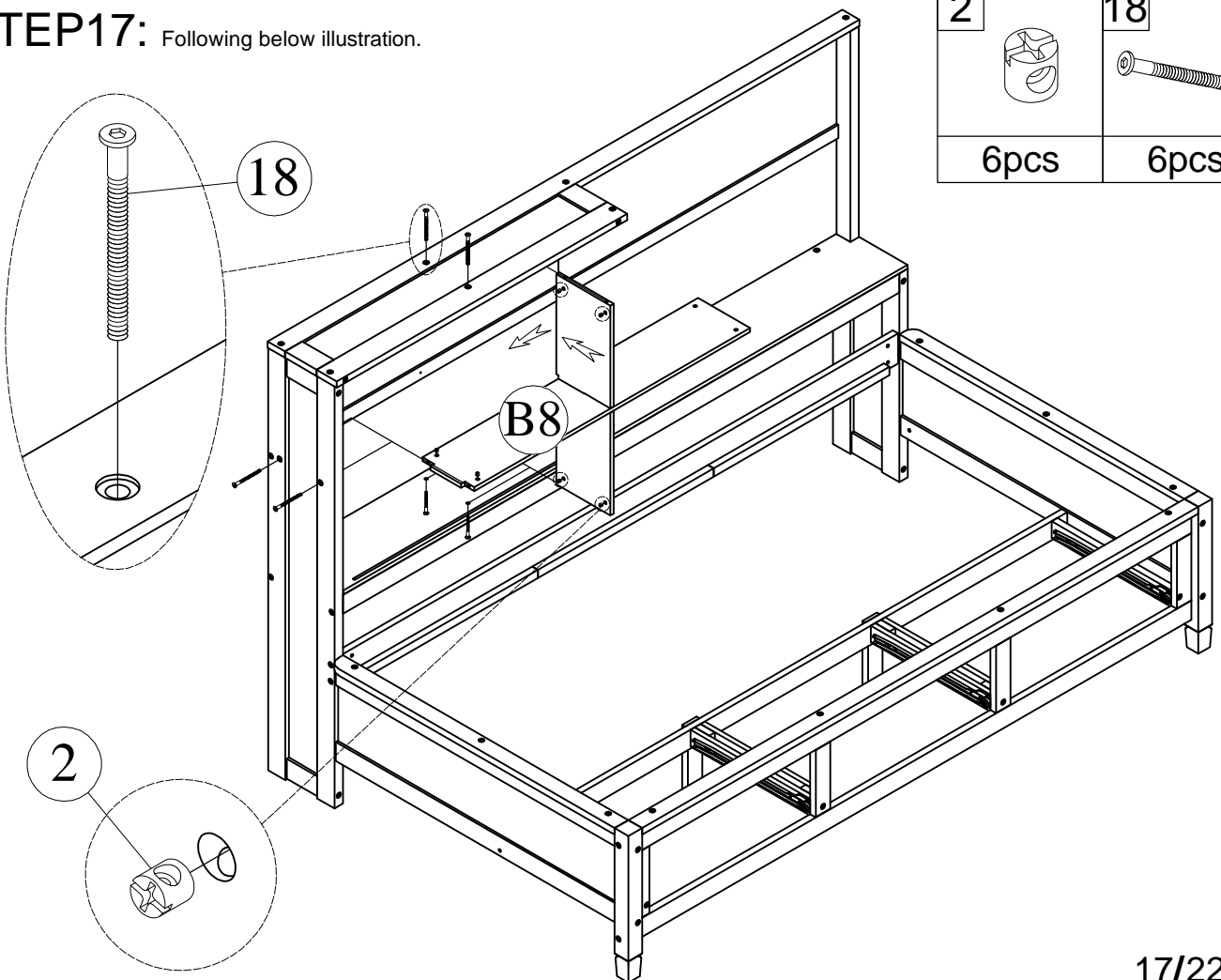
4
3pcs





STEP16: Following below illustration.

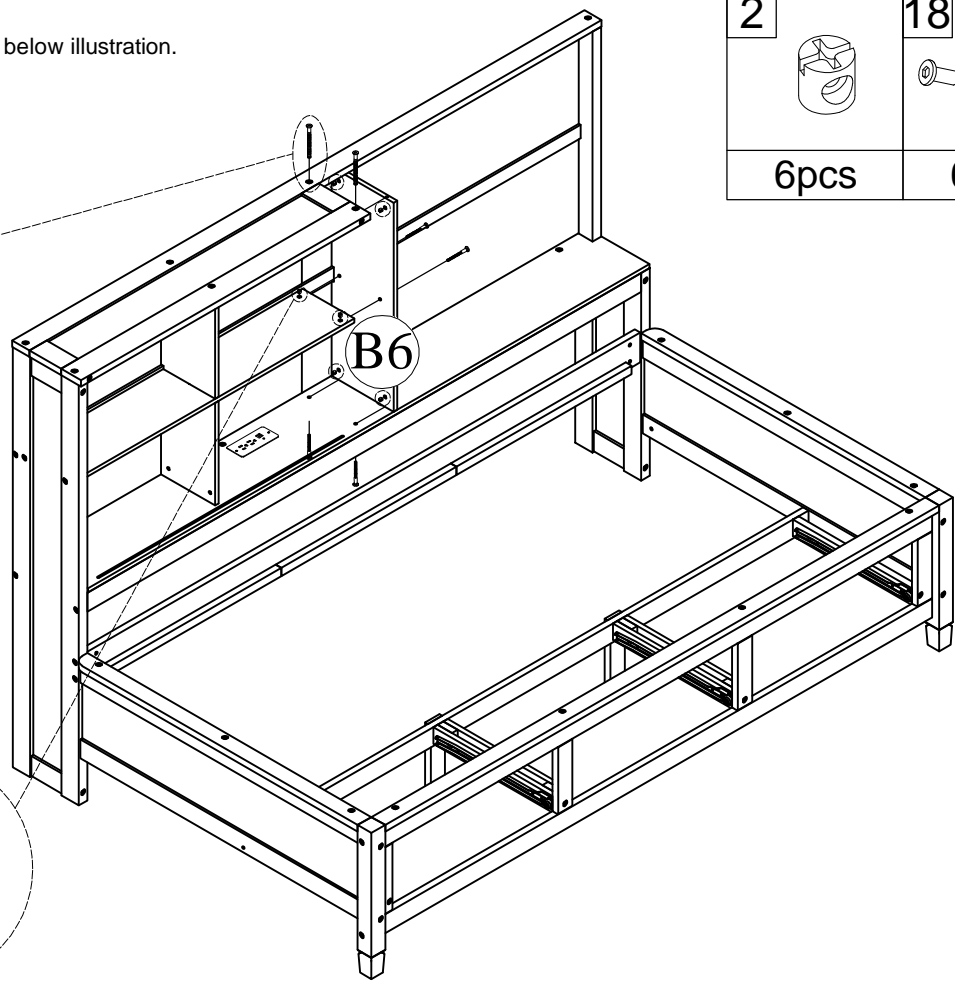
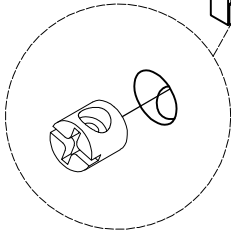
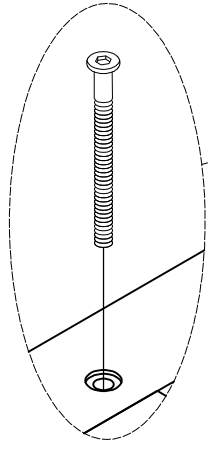


STEP17: Following below illustration.

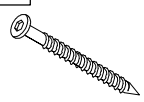


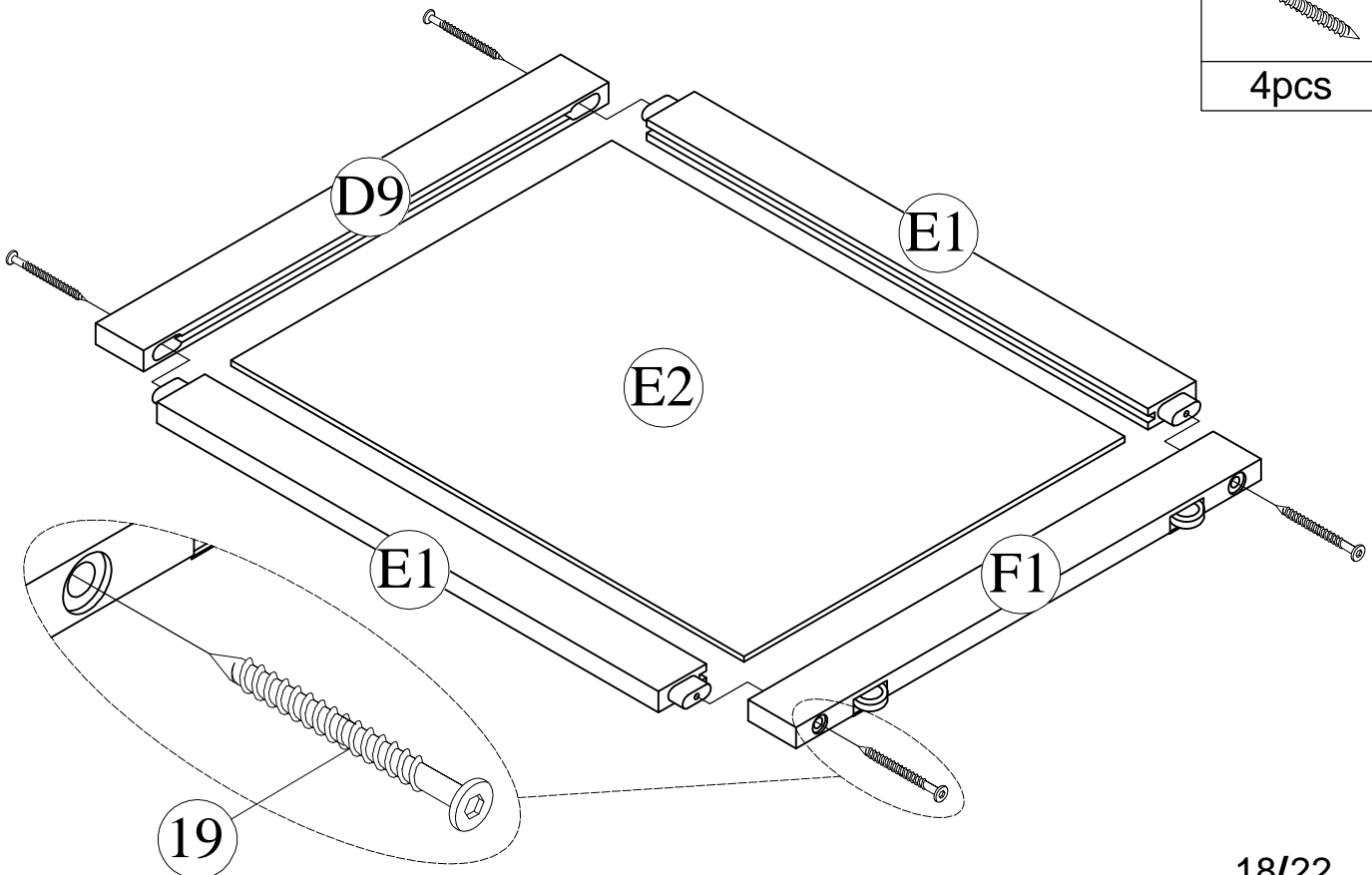
STEP18: Following below illustration.

2		18	
	6pcs		6pcs

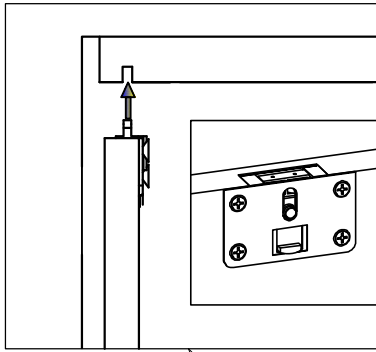


STEP19: Following below illustration.

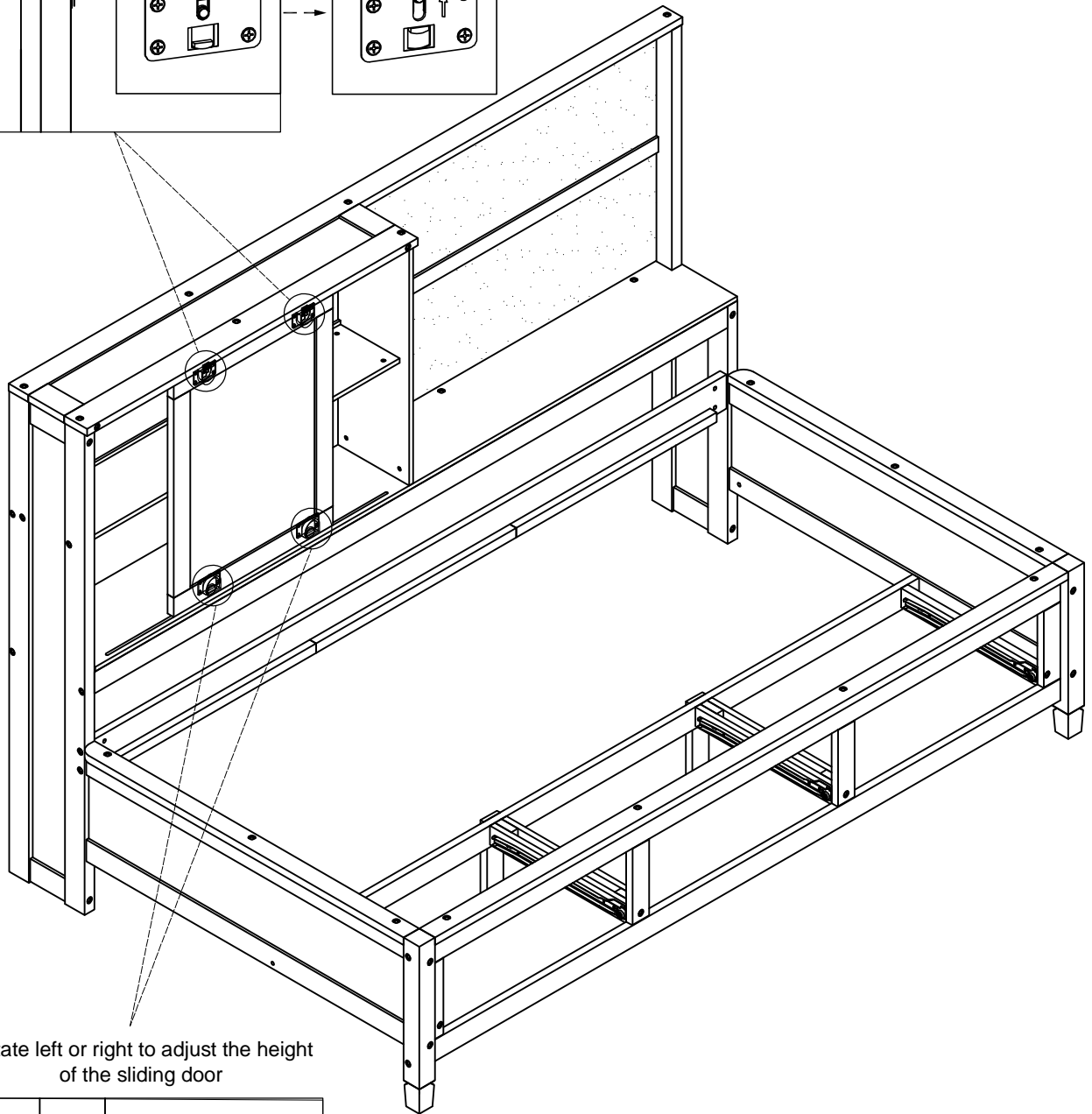
19	
	4pcs



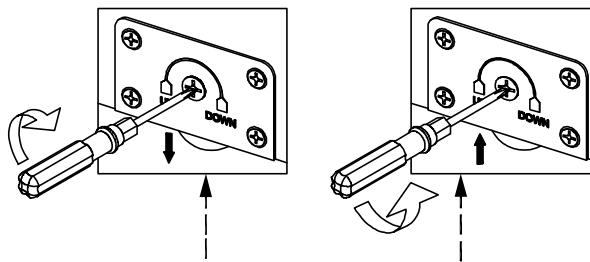
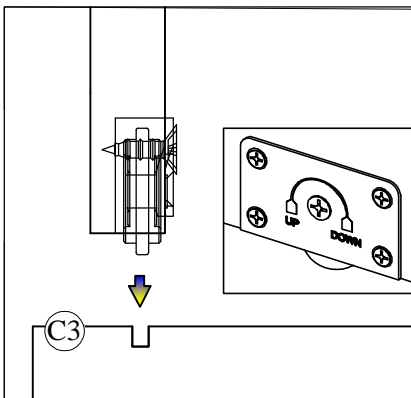
STEP20: Following below illustration.



Pull the latch down to snap the accessory into place



Rotate left or right to adjust the height of the sliding door

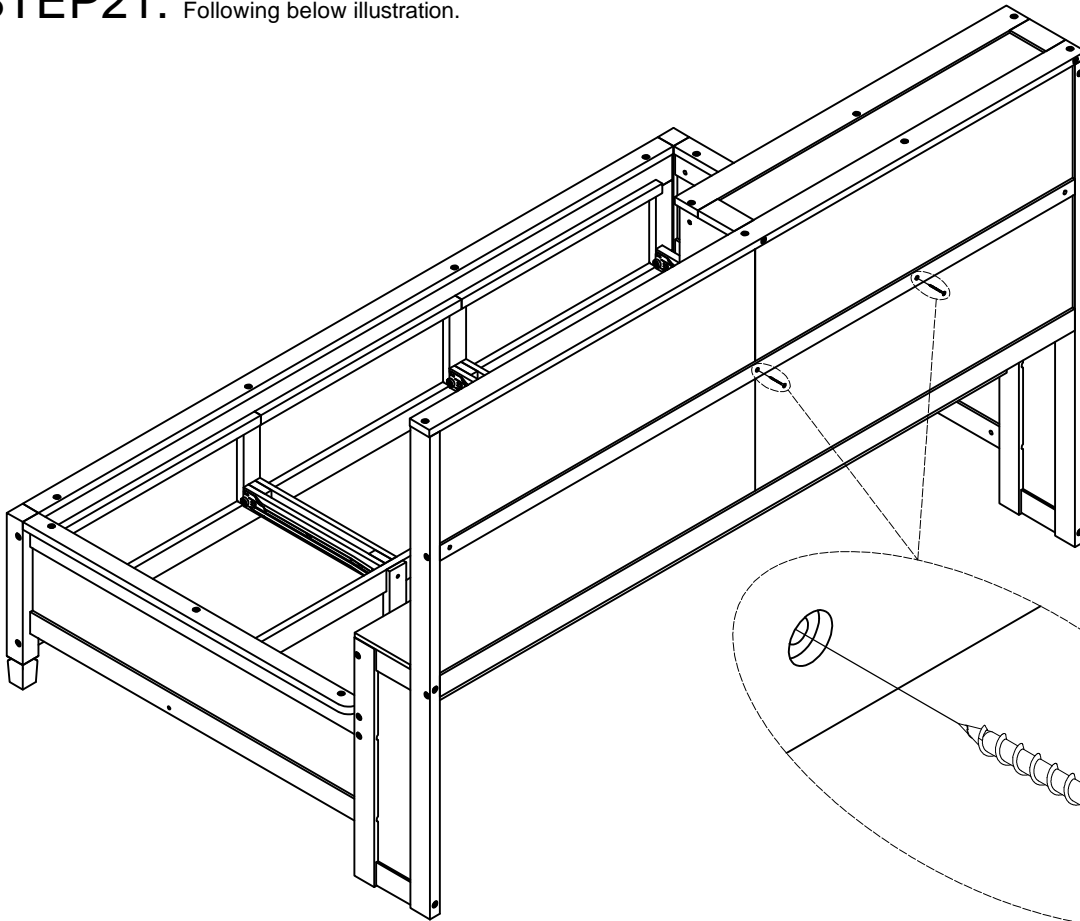


STEP21: Following below illustration.

20



2pcs

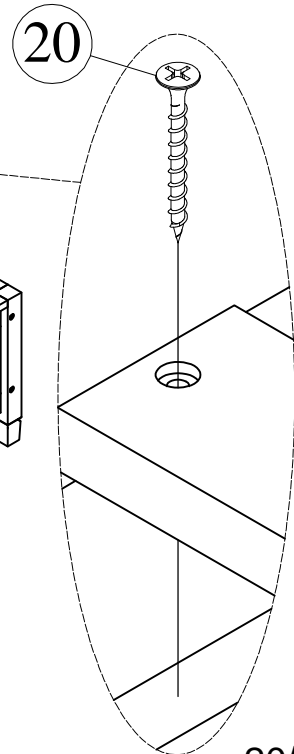
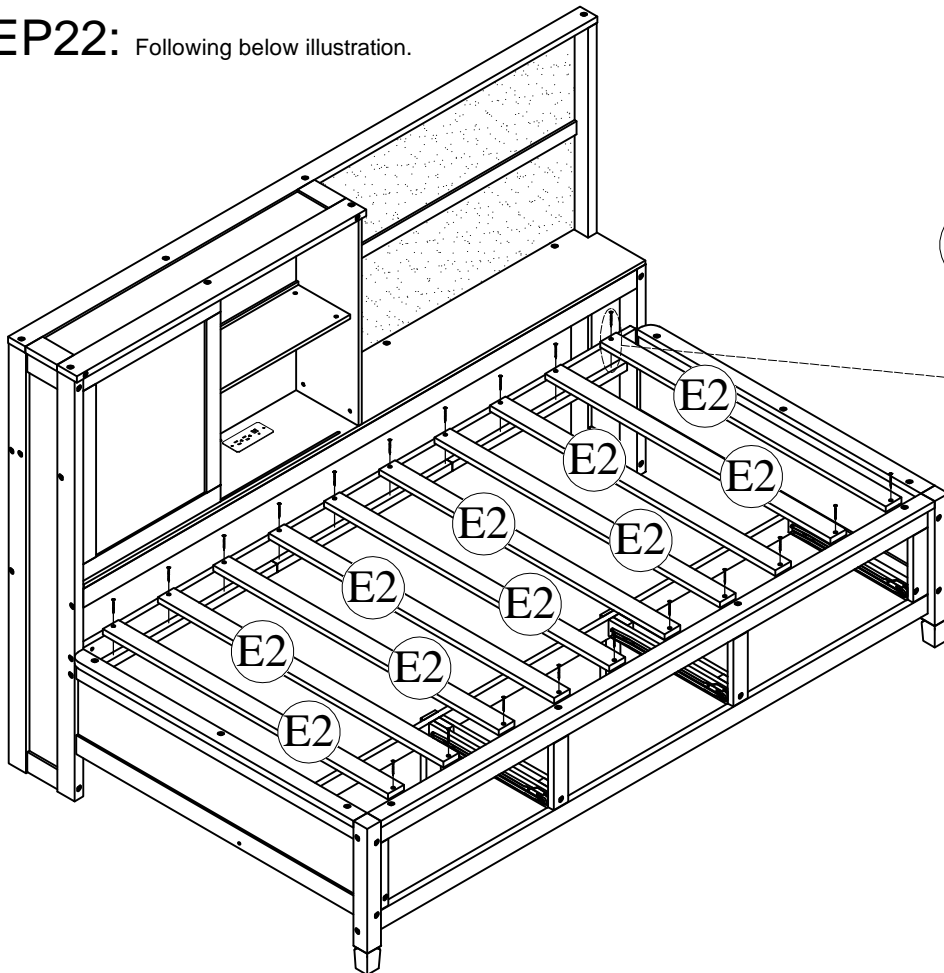


STEP22: Following below illustration.

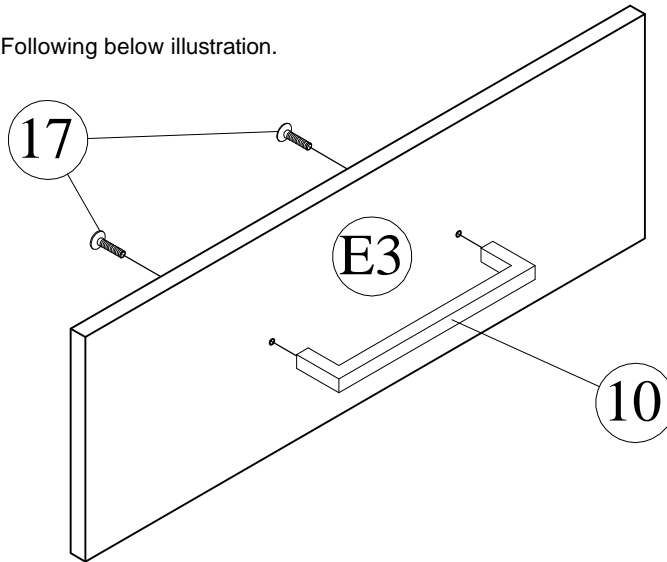
20

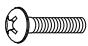
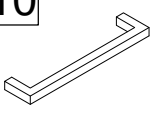


20pcs

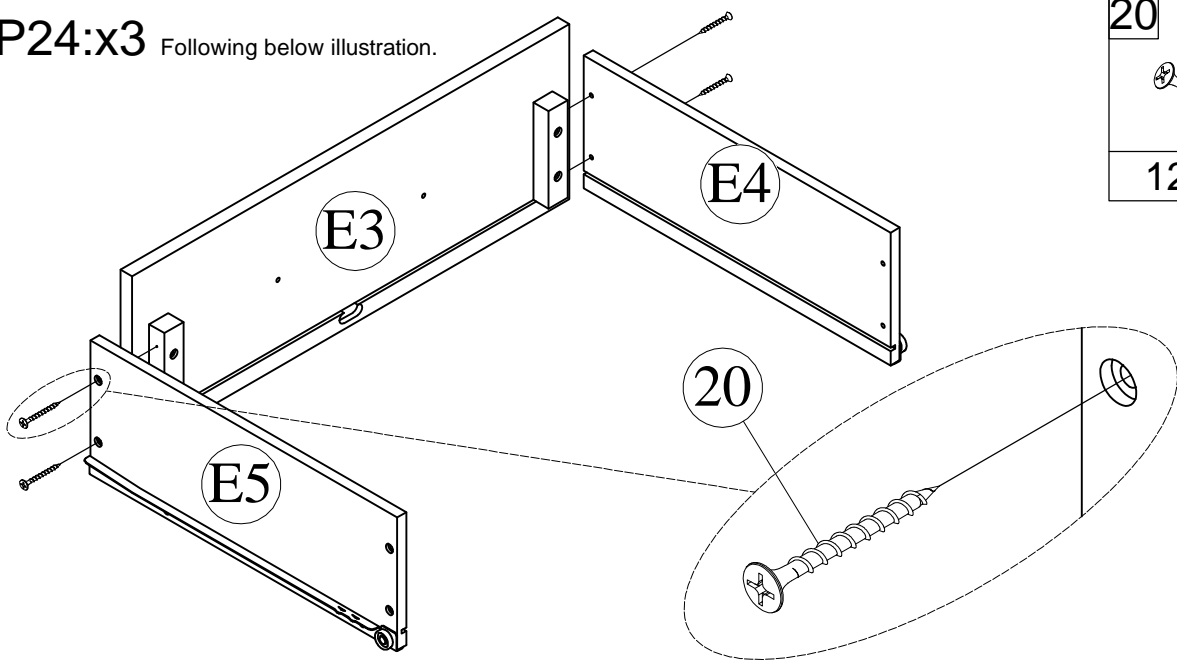


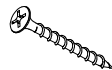
STEP23:x3 Following below illustration.



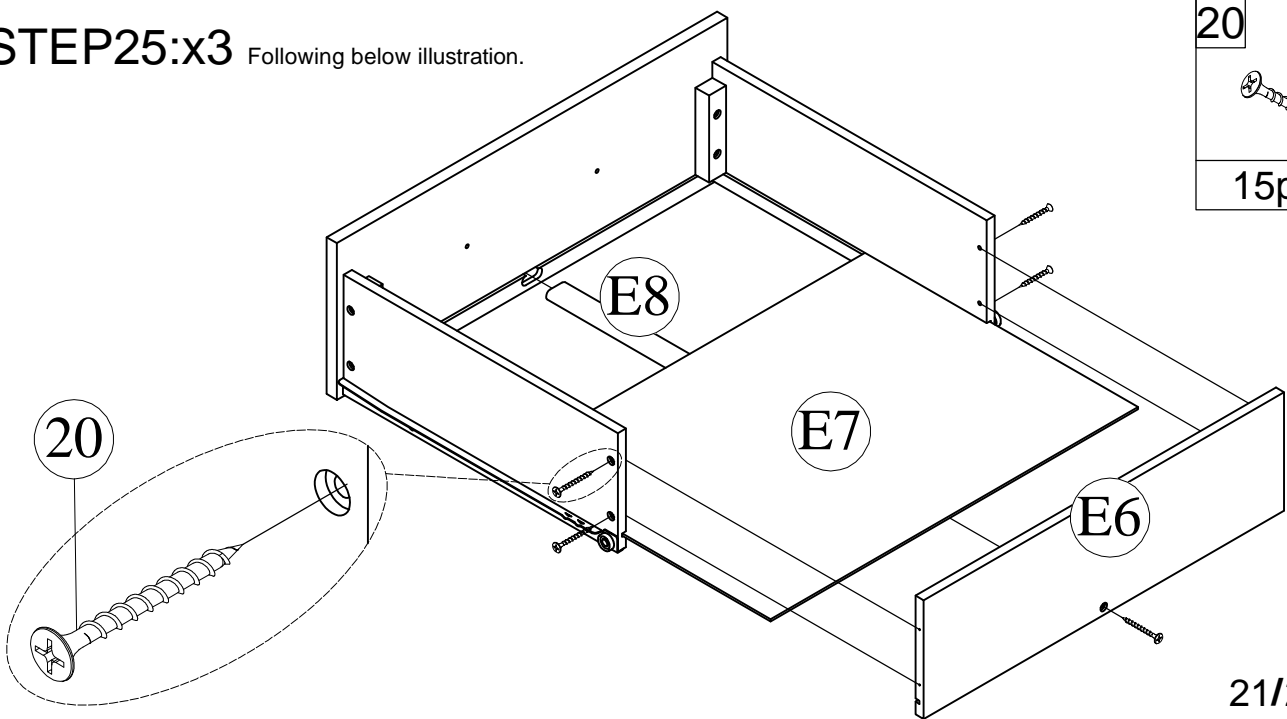
- | |
|---|
| 17 |
|  |
| 6pcs |
| 10 |
|  |
| 3pcs |

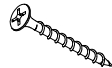
STEP24:x3 Following below illustration.



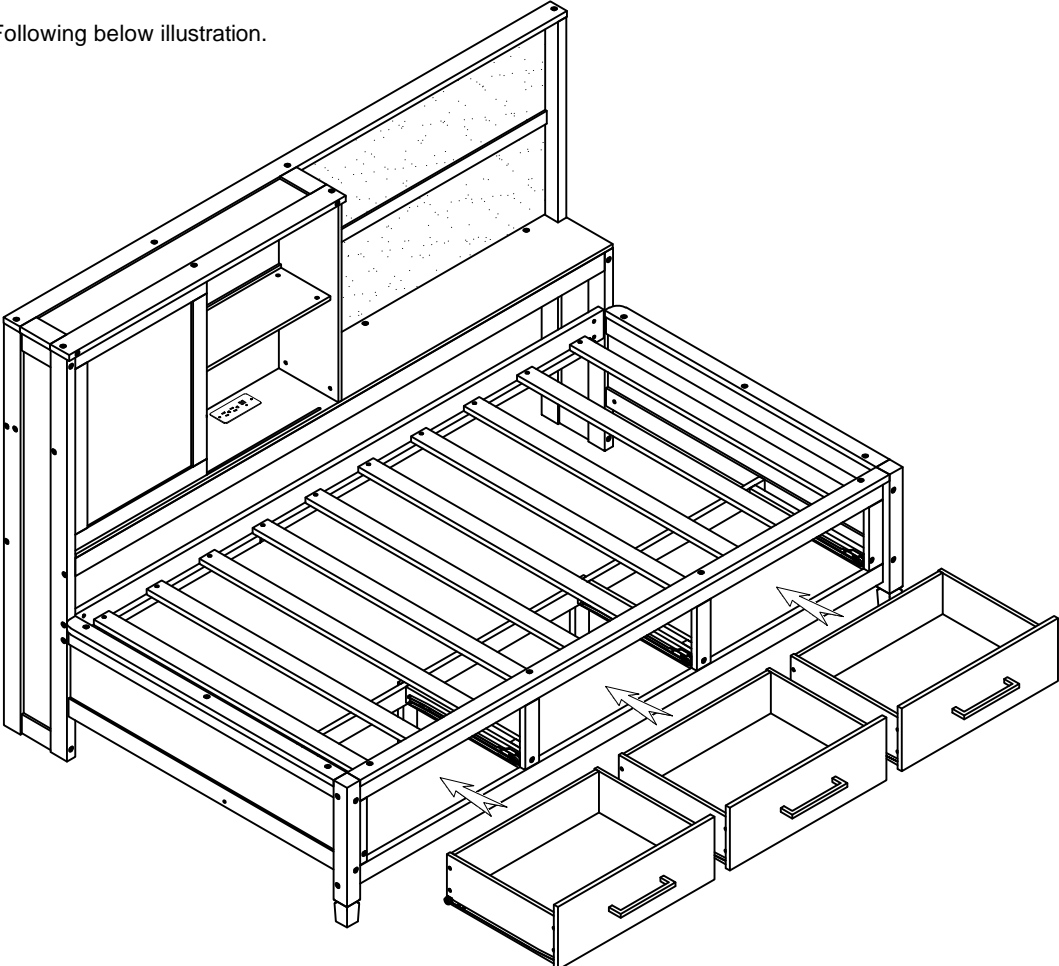
- | |
|---|
| 20 |
|  |
| 12pcs |

STEP25:x3 Following below illustration.



- | |
|---|
| 20 |
|  |
| 15pcs |

STEP26: Following below illustration.



FINISH:

