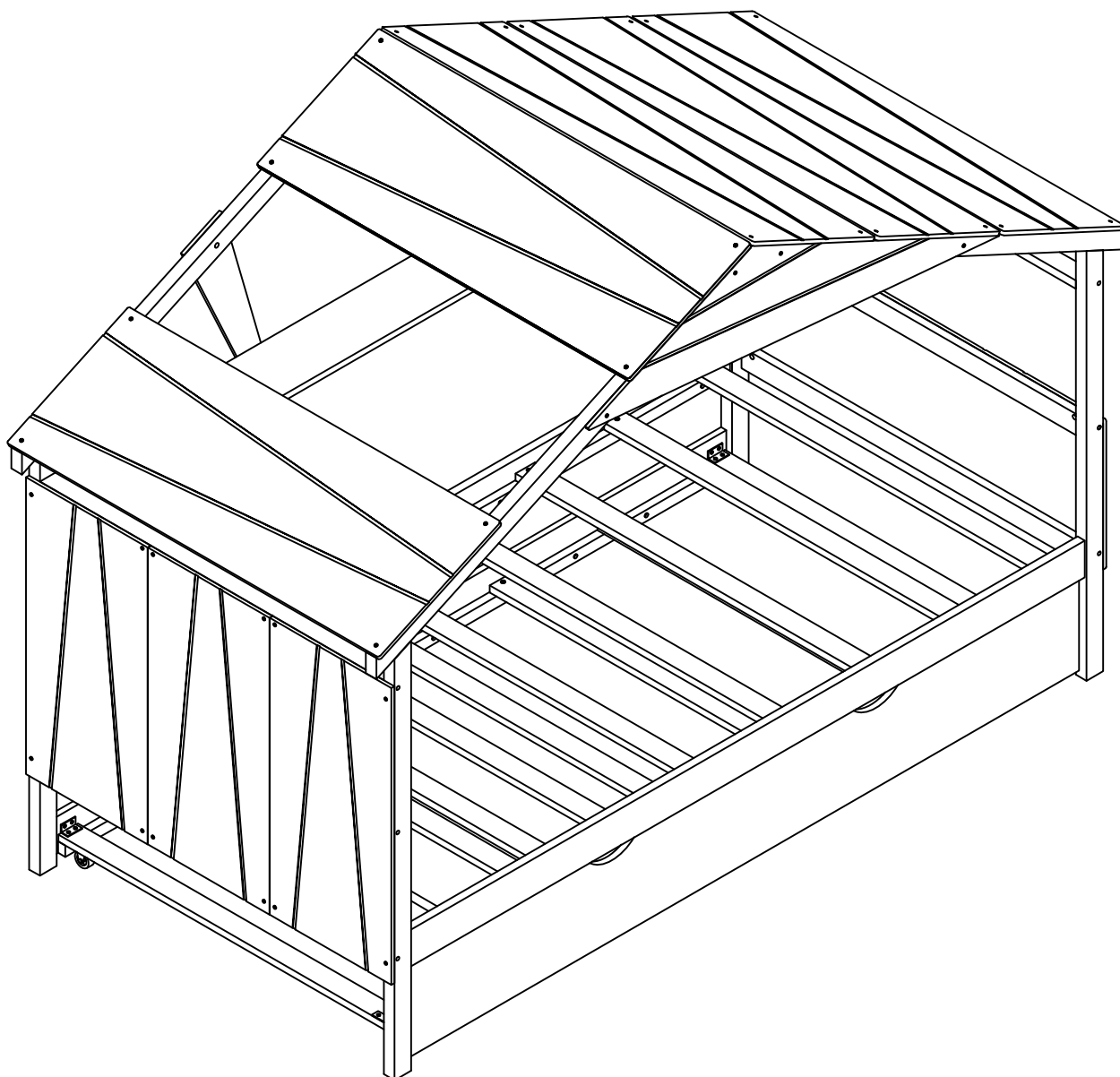


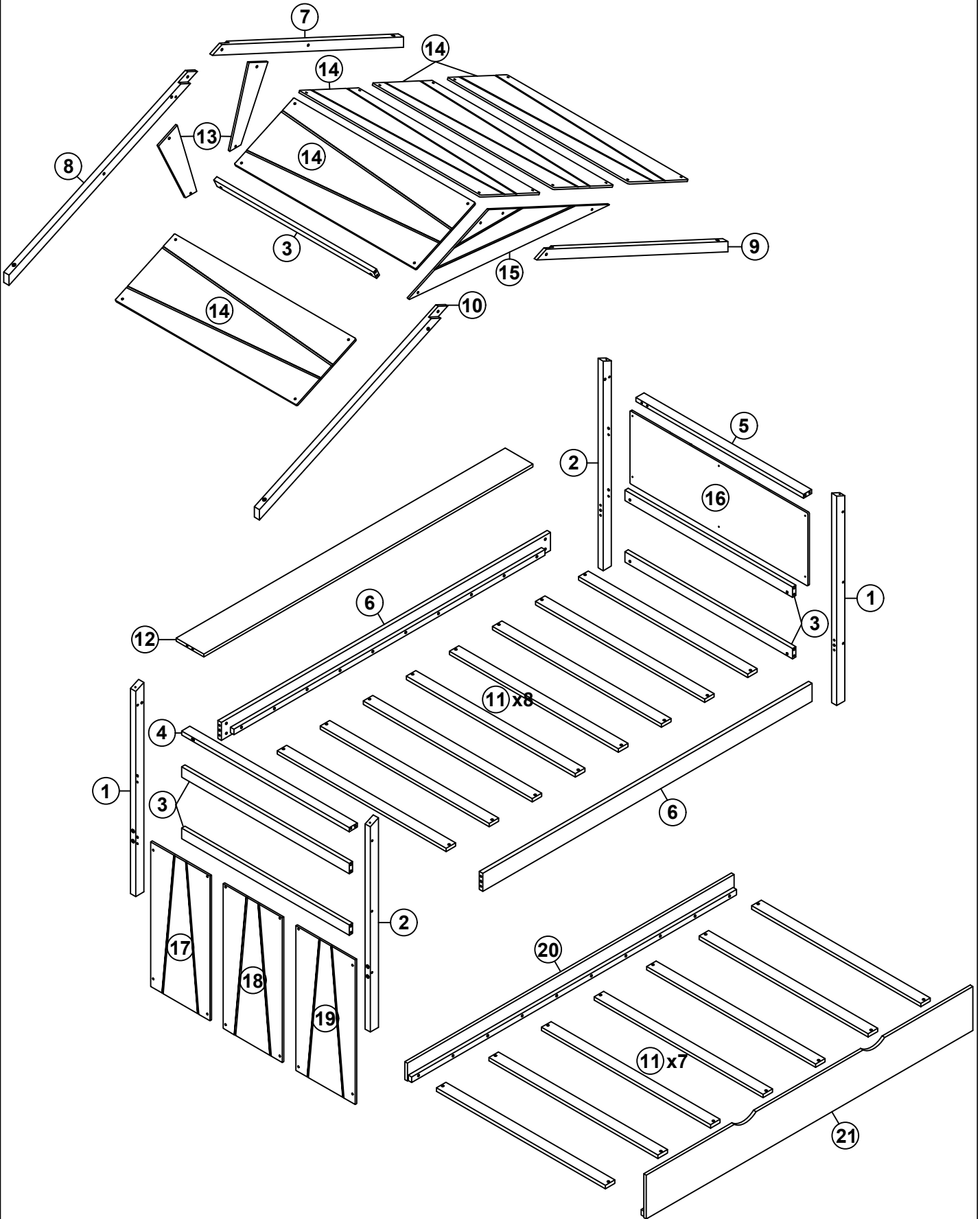
ASSEMBLY INSTRUCTIONS

TWIN HOUSE BED WITH TRUNDLE



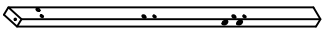
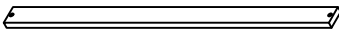
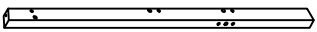



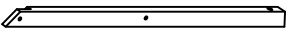
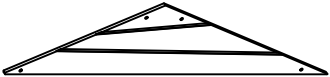


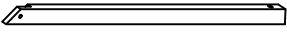
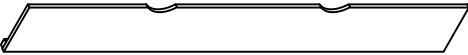
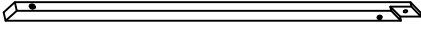
WF317527/WF317528

ASSEMBLY INSTRUCTIONS

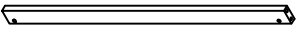

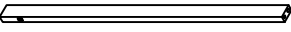
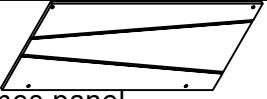
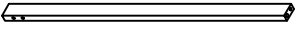
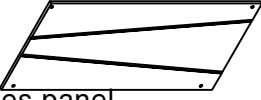

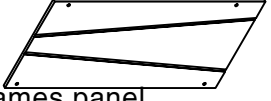


ASSEMBLY INSTRUCTIONS

WF317527 (Hardware in this SKU)












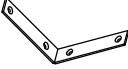


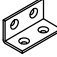


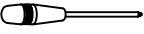
1	Leg 	2pcs	11	Slats 	15pcs
2	Leg 	2pcs	12	Top shelves panel 	1pc
6	Side rails 	2pcs	13	Back roof top support 	2pcs
7	Roof Top 	1pc	15	Front roof top panel 	1pc
8	Roof Top 	1pc	20	Back trundle panel 	1pc
9	Roof Top 	1pc	21	Front trundle panel 	1pc
10	Roof Top 	1pc			

WF317528

3	Headboard rail 	5pcs	16	Headboard panel 	1pc
4	Headboard rail 	1pc	17	Headboard frames panel 	1pc
5	Headboard rail 	1pc	18	Headboard frames panel 	1pc
14	Roof top panels 	5pcs	19	Headboard frames panel 	1pc

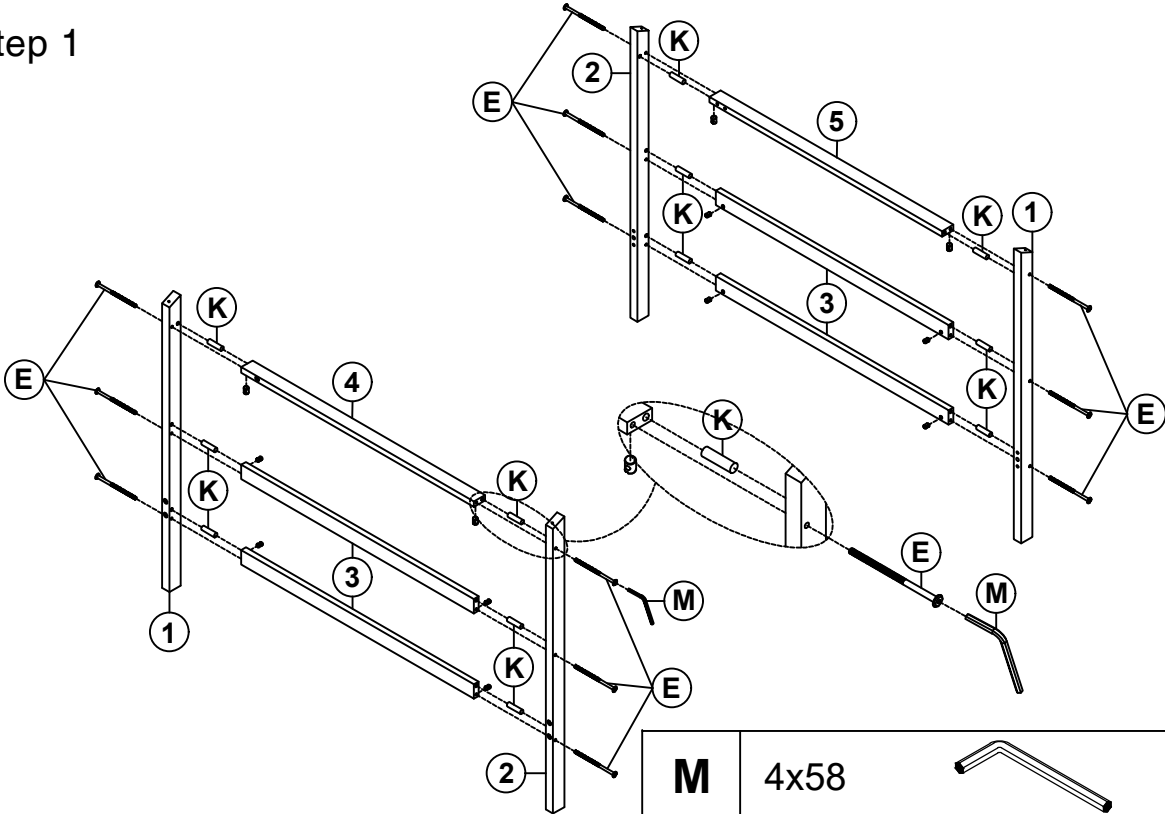
ASSEMBLY INSTRUCTIONS




WF317527 (Hardware in this SKU)

A	Ø4x30		30PCS	I	6.5x80		4PCS
B	Ø4x15		32PCS	K	Ø10x40		18PCS
C	Ø4x20		42PCS	L	Ø8x30		2PCS
D	1/4x90		10PCS	M	4x58		1PC
E	1/4x75		14PCS	N	Ø38x46x38		4PCS
F	1/4x50		2PCS	O	95x95x20		2PCS
G	1/4x30	 	2PCS	P	40x20x20		2PCS
H	1/4x25	 	2PCS		Phillip head screw Not include		

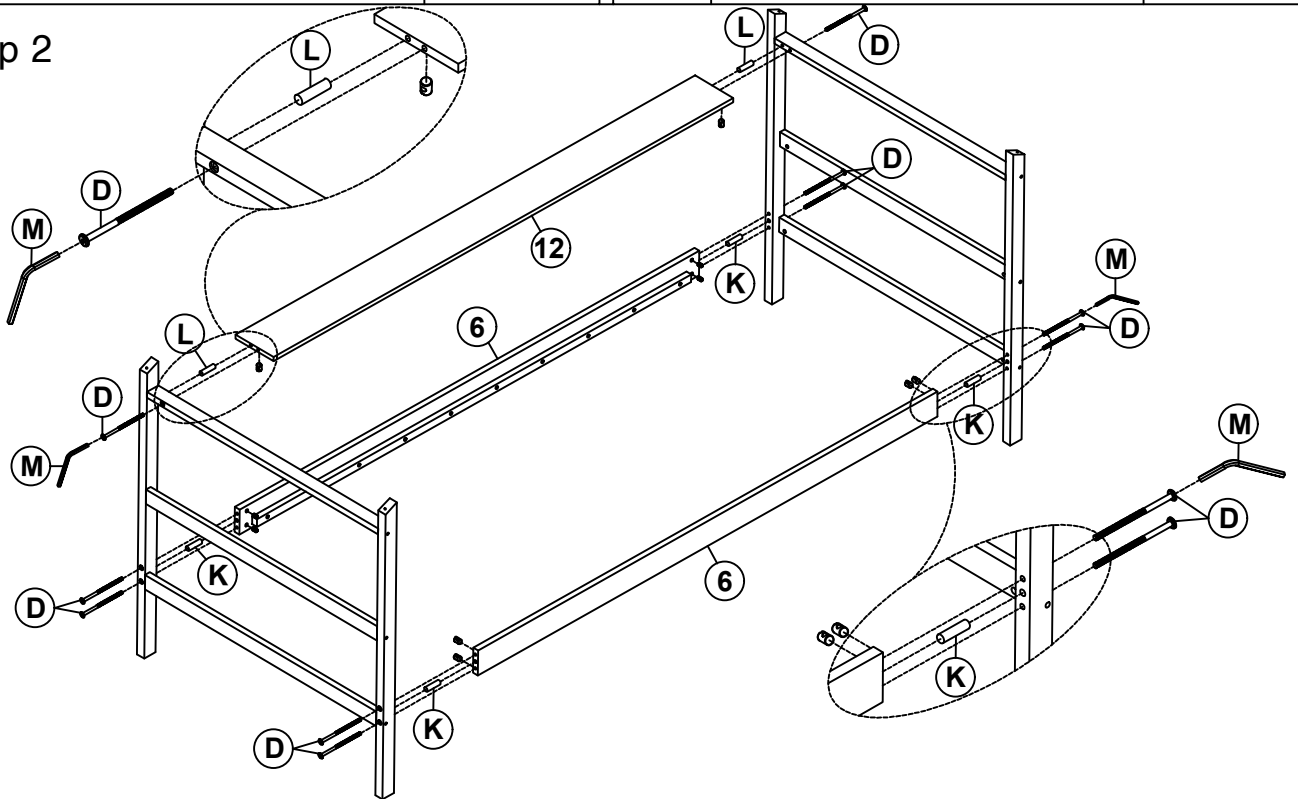
ASSEMBLY INSTRUCTIONS


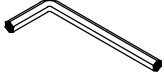


Step 1



M	4x58		1PC
E	1/4x75		12PCS
K	Ø10x40		12PCS

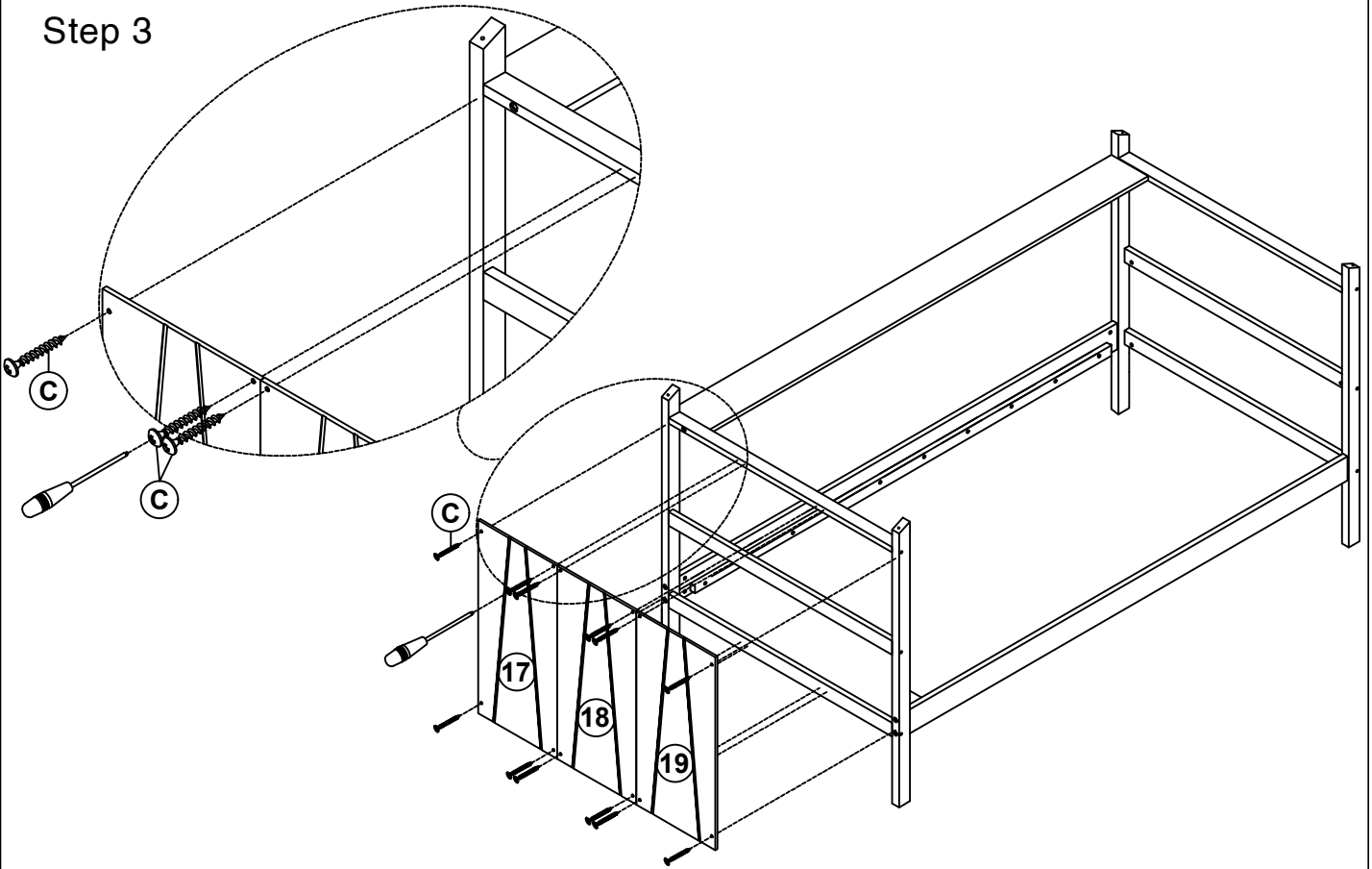
Step 2



L	Ø8x30		2PCS	M	4x58		1PC
D	1/4x90		10PCS	K	Ø10x40		4PCS

ASSEMBLY INSTRUCTIONS

Step 3



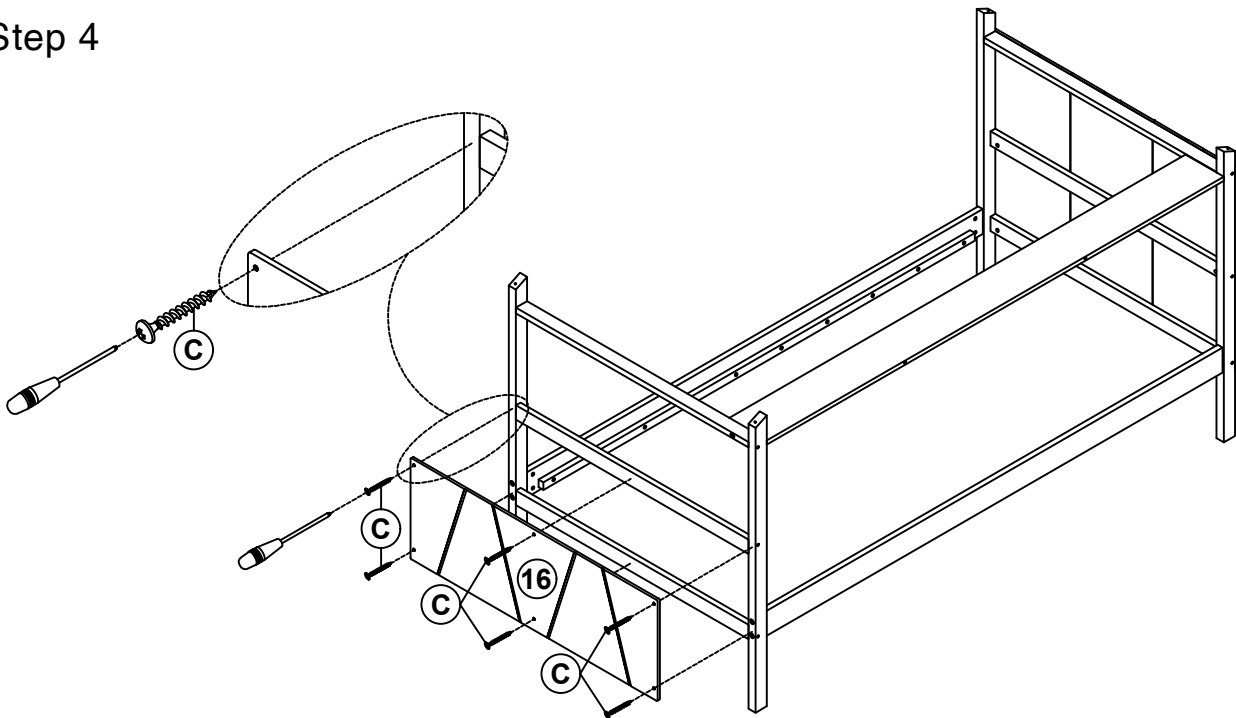
C

Ø4x20



12PCS

Step 4



C

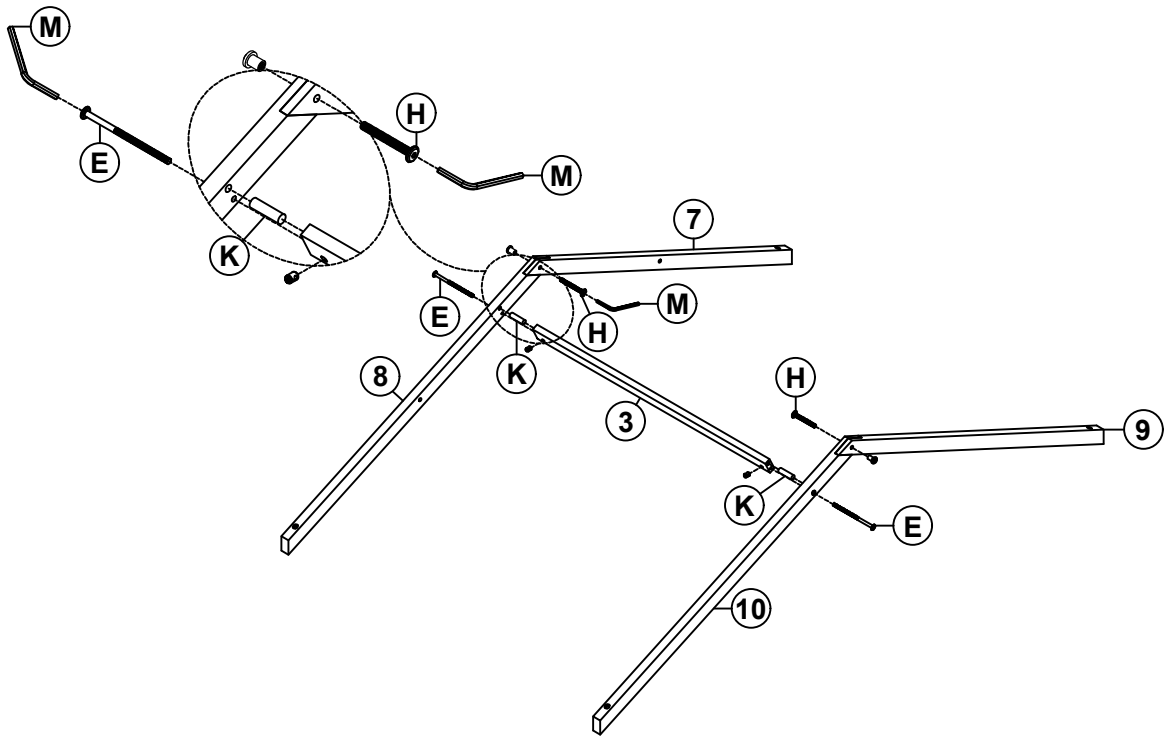
Ø4x20







6PCS

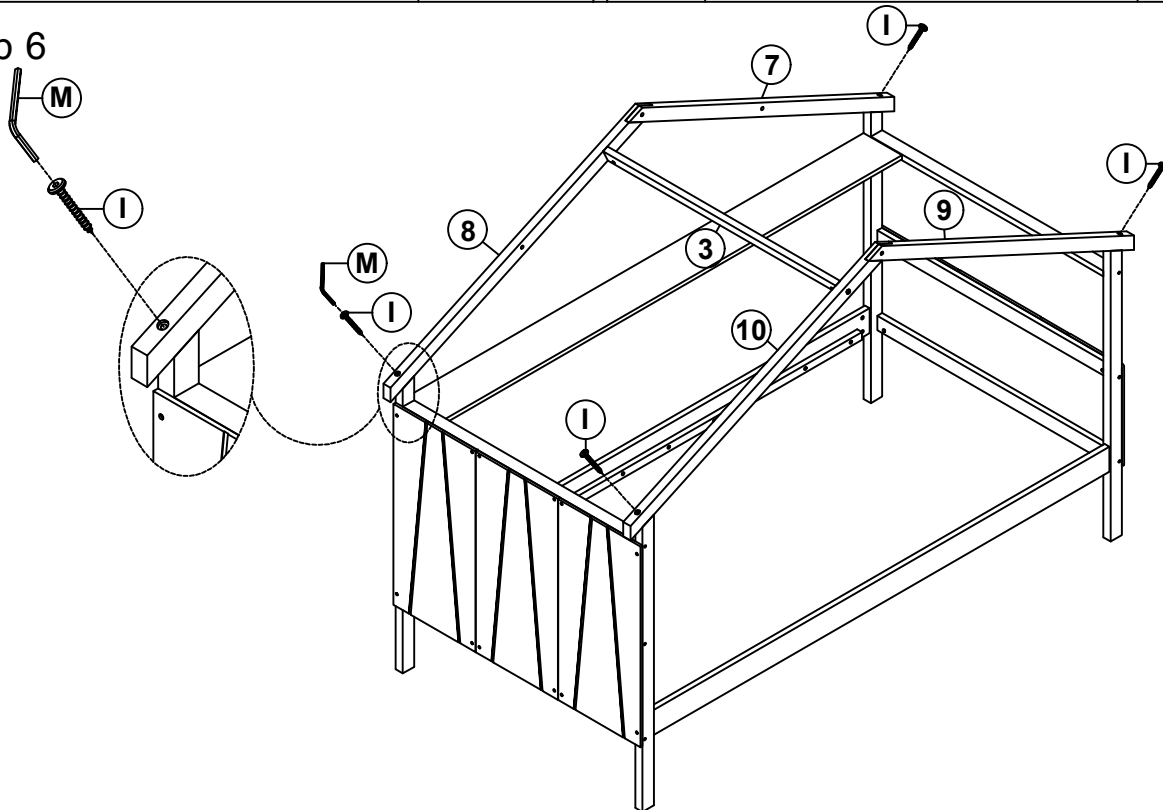
ASSEMBLY INSTRUCTIONS



Step 5



E	1/4x75		2PCS	K	Ø10x40		2PCS
H	1/4x25		2PCS	M	4x58		1PC

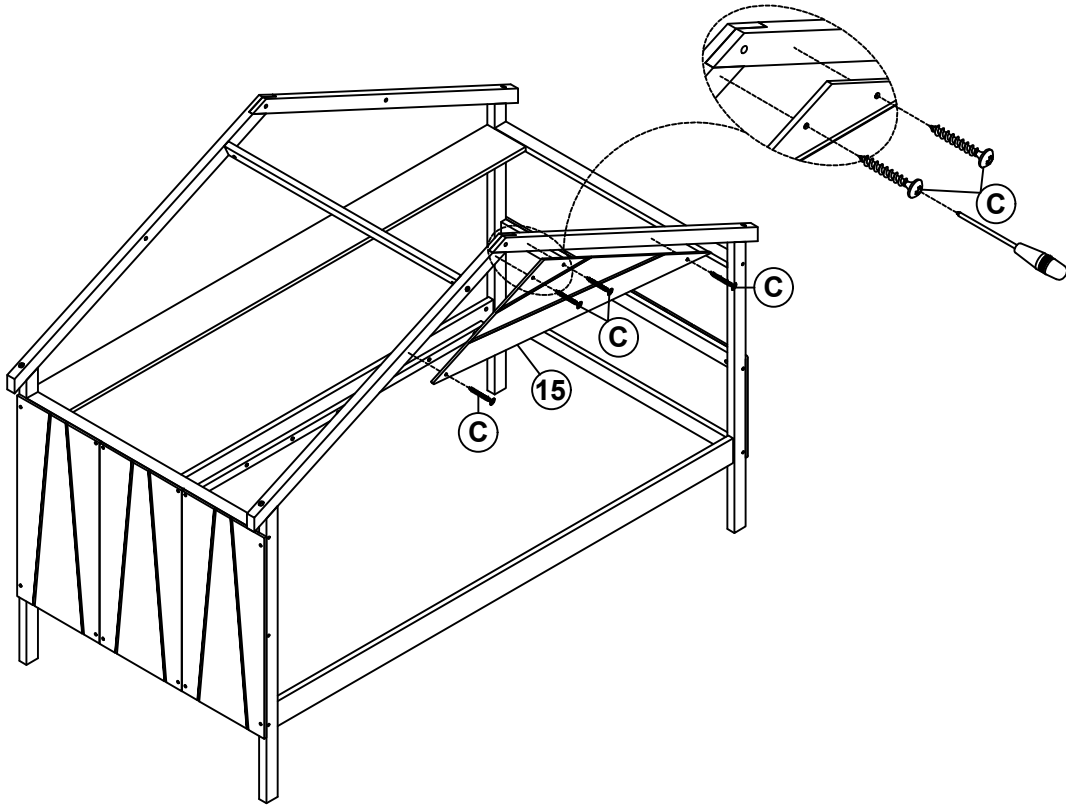
Step 6



I	6.5x80		4PCS	M	4x58		1PC
----------	--------	---	------	----------	------	---	-----

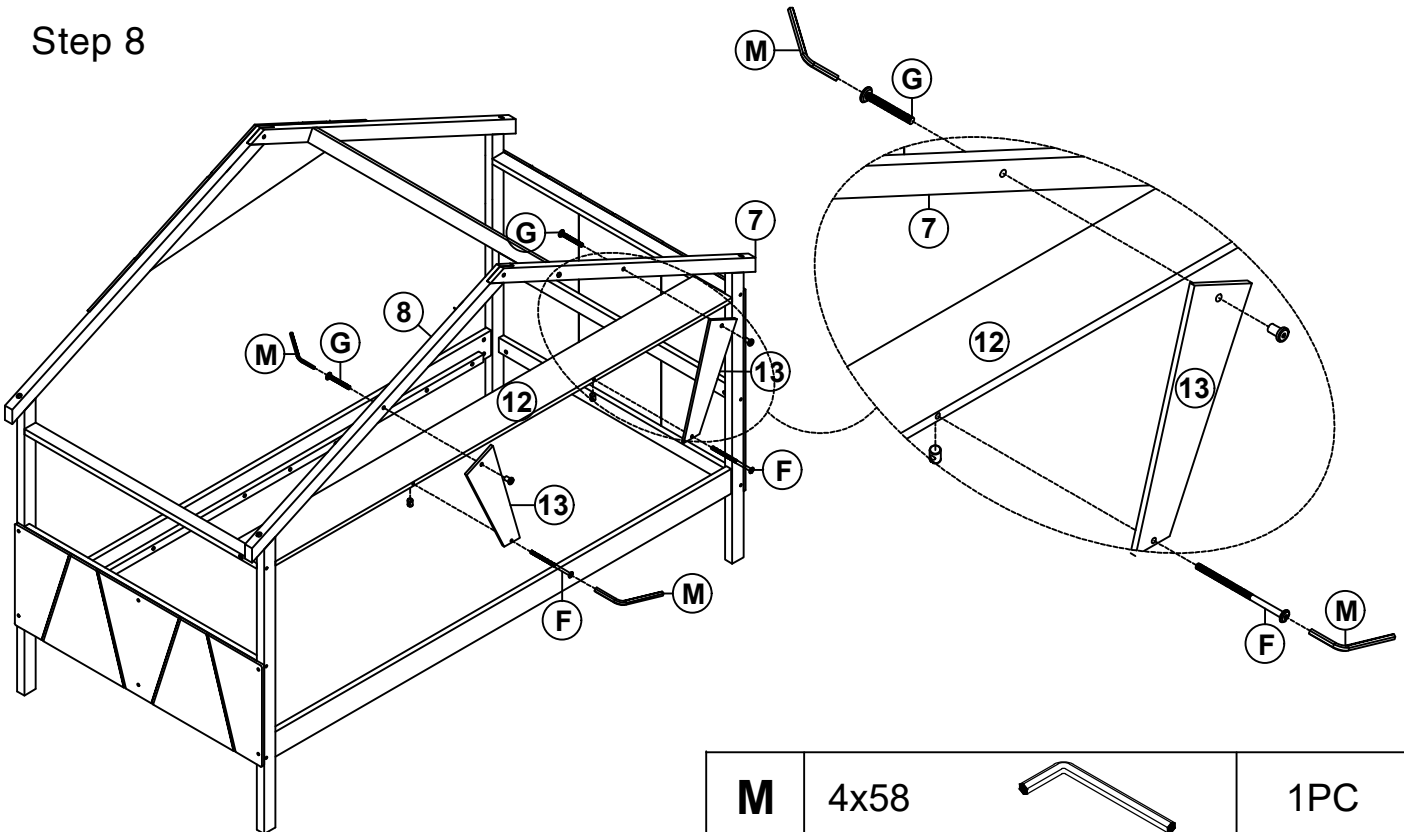
ASSEMBLY INSTRUCTIONS


Step 7



C	Ø4x20		4PCS
----------	-------	---	------

Step 8

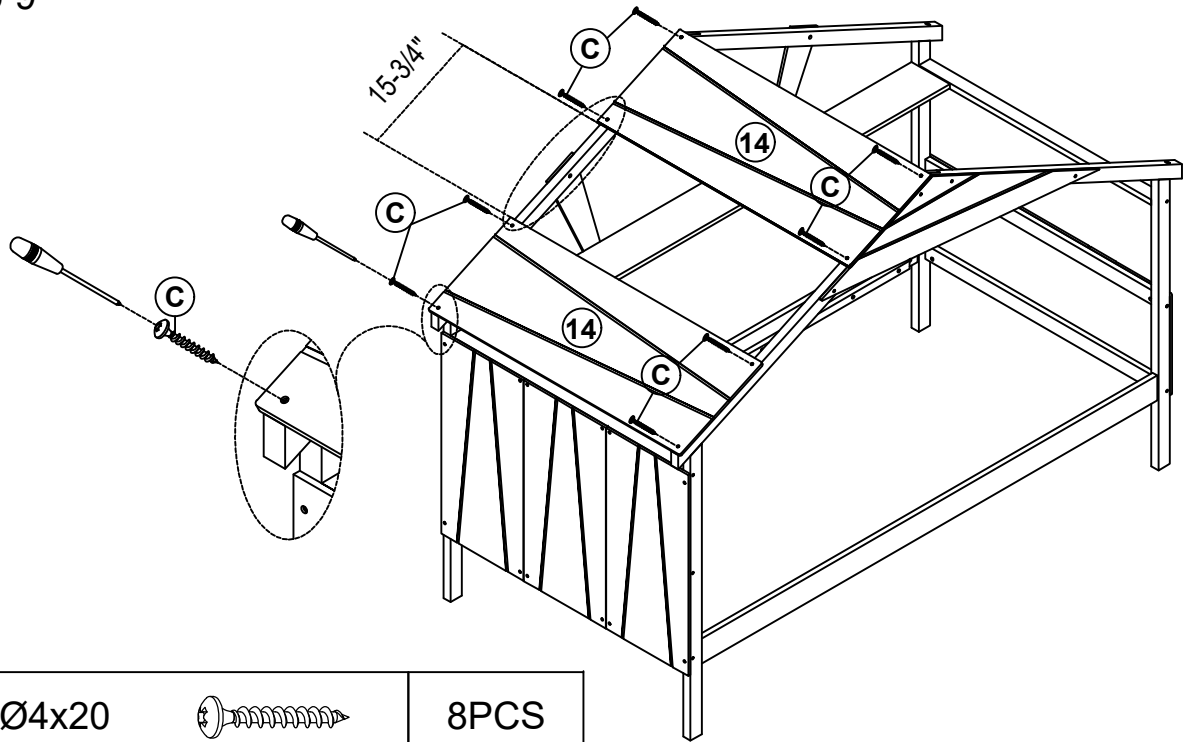


M	4x58		1PC
----------	------	---	-----

G	1/4x30		2PCS	F	1/4x50		2PCS
----------	--------	---	------	----------	--------	---	------

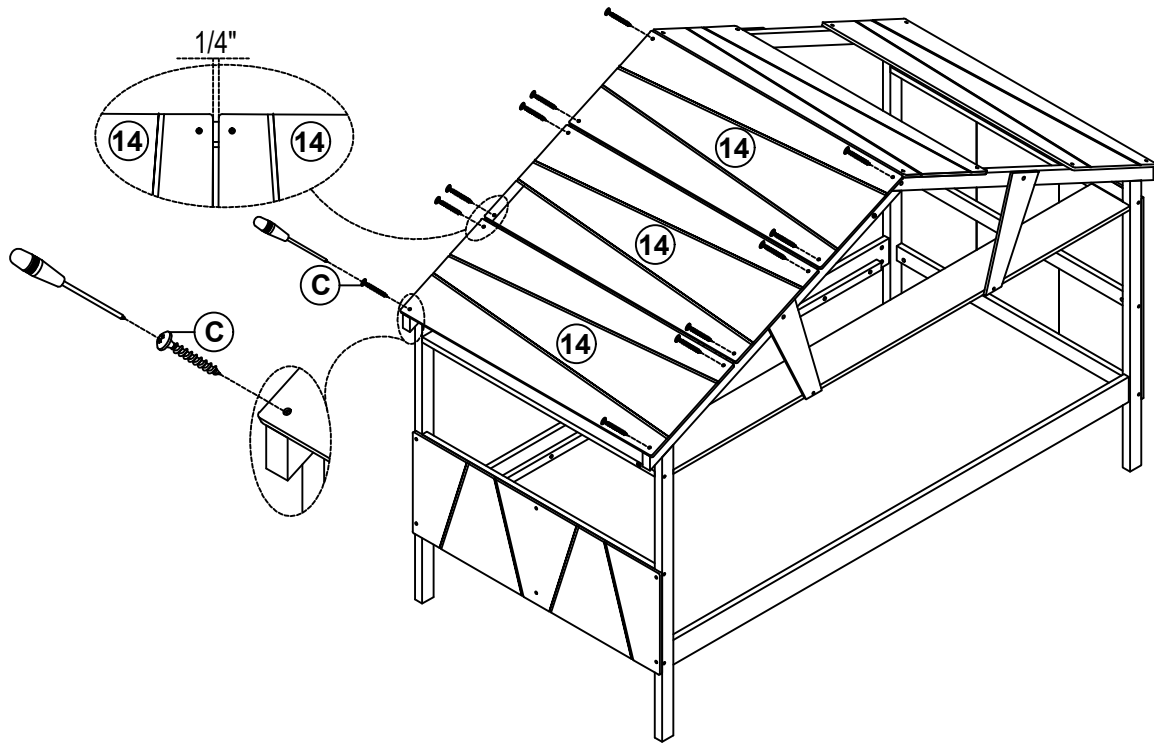
ASSEMBLY INSTRUCTIONS

Step 9



C	Ø4x20		8PCS
----------	-------	---	------

Step 10

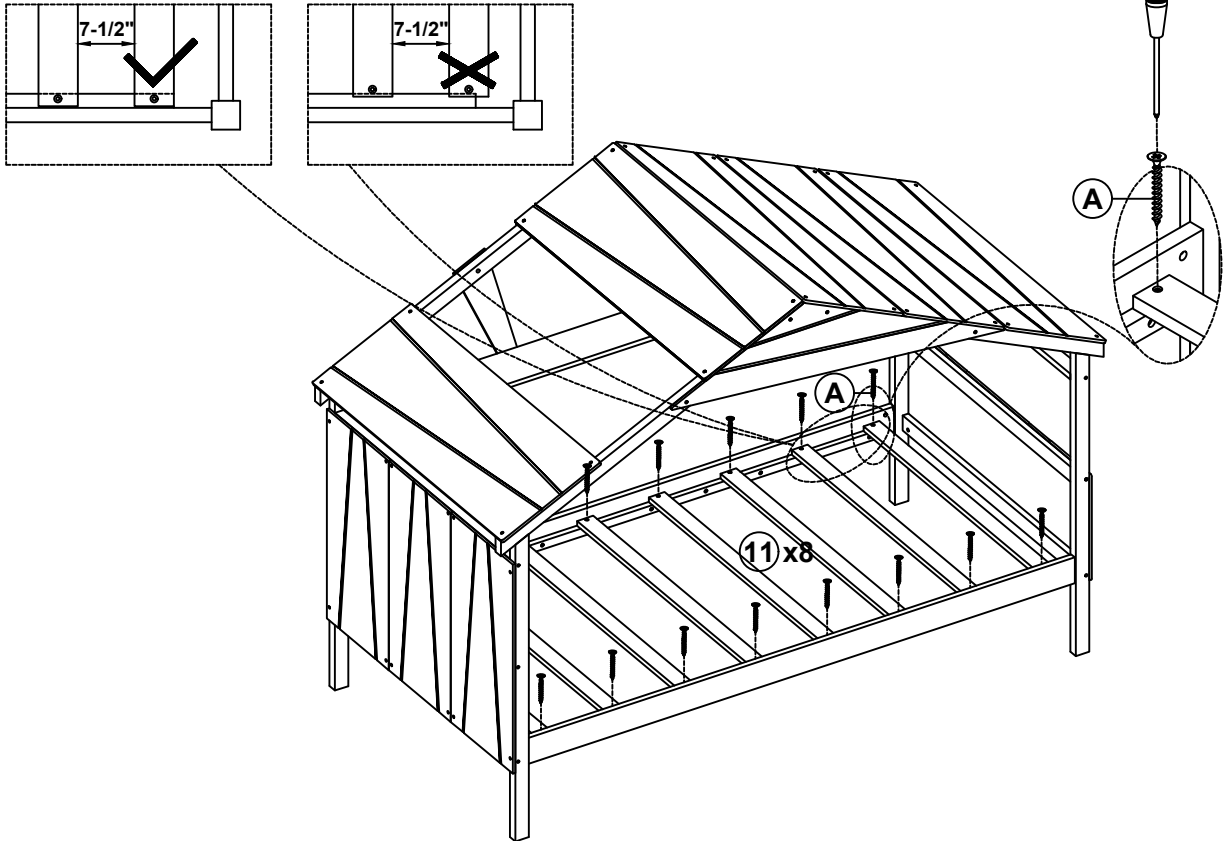


C	Ø4x20		12PCS
----------	-------	---	-------

ASSEMBLY INSTRUCTIONS

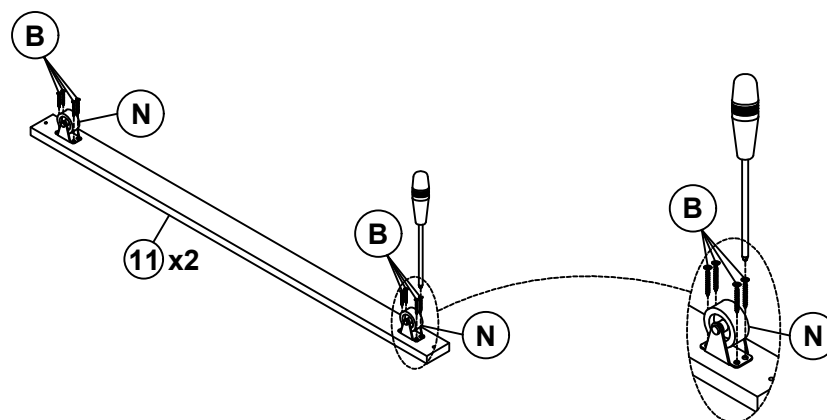
Step 11



First attach 2pcs part 11 to the front and end of the frame between headboard. Then attach the remaining part 11 equidistantly between headboard



A	Ø4x30		16PCS
----------	-------	---	-------

Step 12

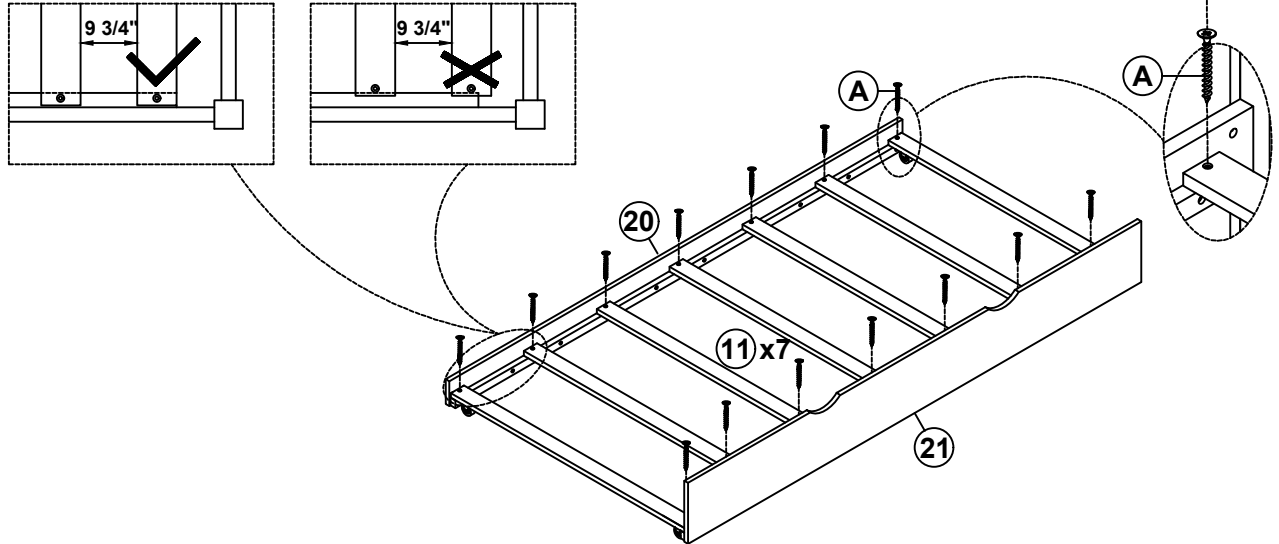


N	Ø38x46x38		4PCS	B	Ø4x15		16PCS
----------	-----------	---	------	----------	-------	---	-------

ASSEMBLY INSTRUCTIONS

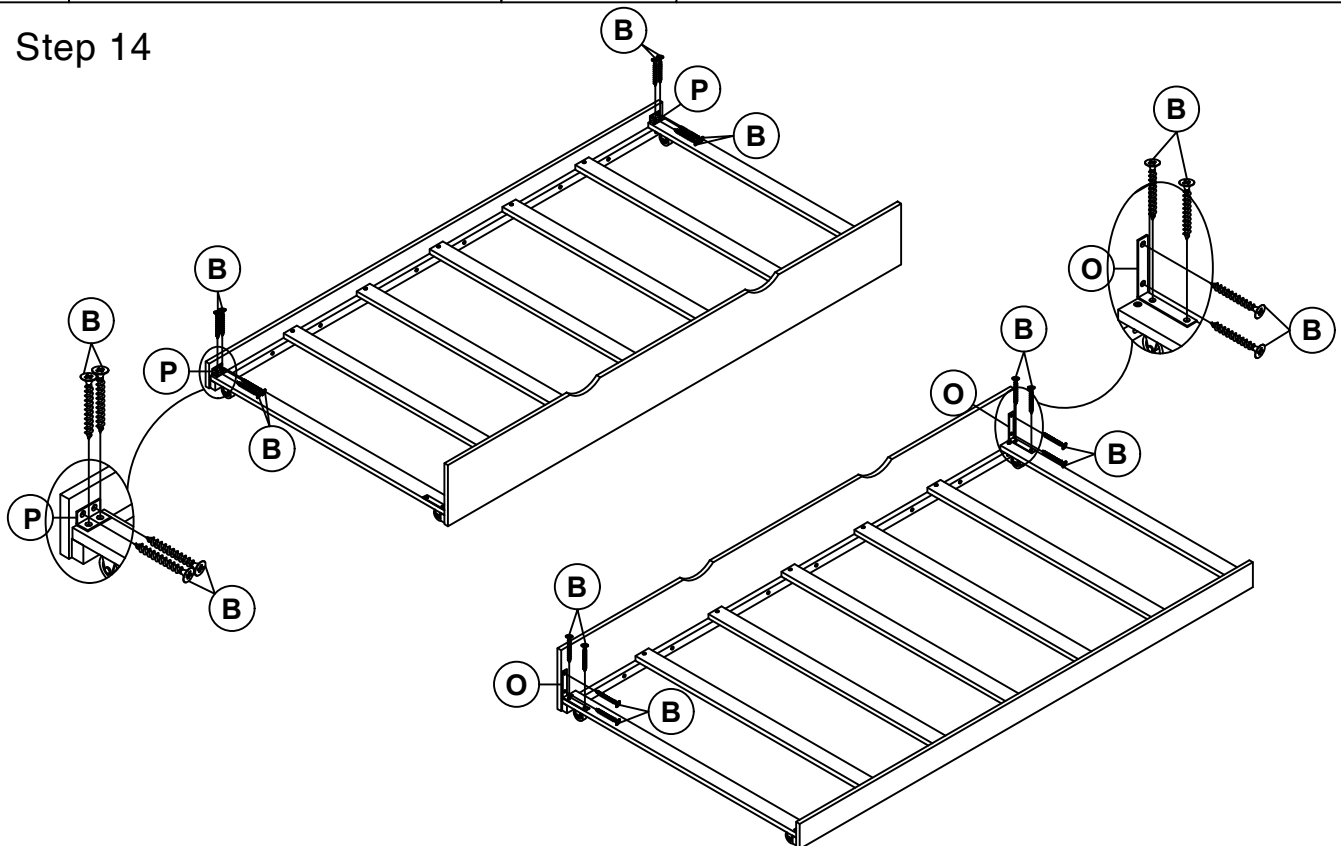
Step 13

First attach 2 pcs part 11 to the front and end of the frame between headboard. Then attach the remaining part 11 equidistantly between headboard



A	Ø4x30		14PCS
----------	-------	--	-------

Step 14



O	95x95x20		2PCS
----------	----------	---	------

B	Ø4x15		16PCS
----------	-------	---	-------

P	40x20x20		2PCS
----------	----------	---	------

ASSEMBLY INSTRUCTIONS

Step 15

