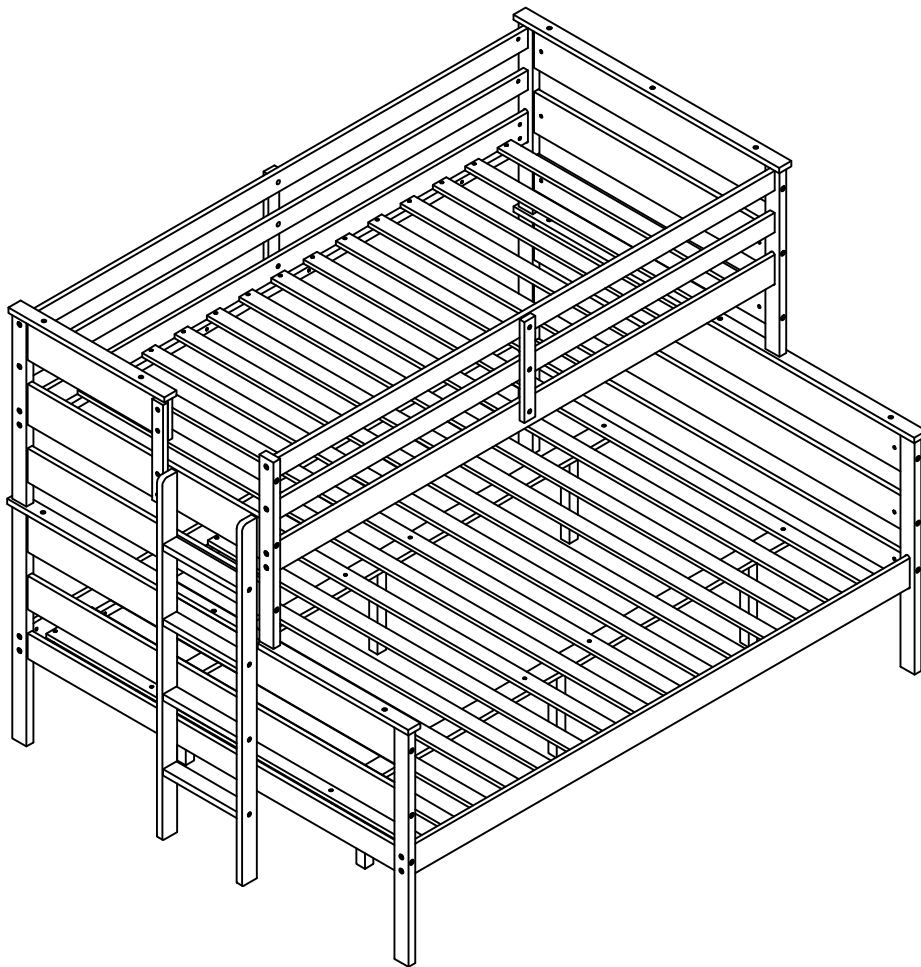


ASSEMBLY INSTRUCTIONS

TWIN XL/QUEEN BUNK BED



WF312639/WF312640

SAFETY WARNINGS AND GENERAL NOTES:

Follow the information on the warnings on the bunk bed end structure and on the carton. Do not remove the warning label from the bed. Always use the recommended size mattress on mattress support, or both, to help prevent the likelihood of entrapment or falls.

The top surface of the mattress must be at least 5*inch (127mm) below the upper edge of the guardrail.

Do not allow children under 6 years of age to use the upper bunk.

Periodically check and ensure the guardrail, ladder and other components are in their proper position, free from damage, and all connectors are tight.

Do not allow horseplay on or under beds.

Always prohibit jumping on the bed.

Prohibit more than one person on upper bunk.

Always use the ladder for entering and leaving the upper bunk.

Do not use substitute parts. Contact the manufacturer or dealer for replacement parts.

Use of a night-light may provide added safety precaution for a child using the upper bunk.

Always use guardrails on both long sides of the upper bunk.

If the bunk bed will be placed next to a wall, the guardrail that runs the full length of the bed should be placed against the wall to prevent entrapment between the bed and the wall.

The use of water or sleep flotation mattresses is prohibited.

STRANGULATION HAZARD-Never attach or hang items to any part of the bunk bed that are not designed for use with the bed.

Keep these instructions for future reference.

We recommend assembling your bunk bed on the shipping carton to protect your floor or carpet.

Be certain all staples are out of the box before beginning assembly on the shipping carton.

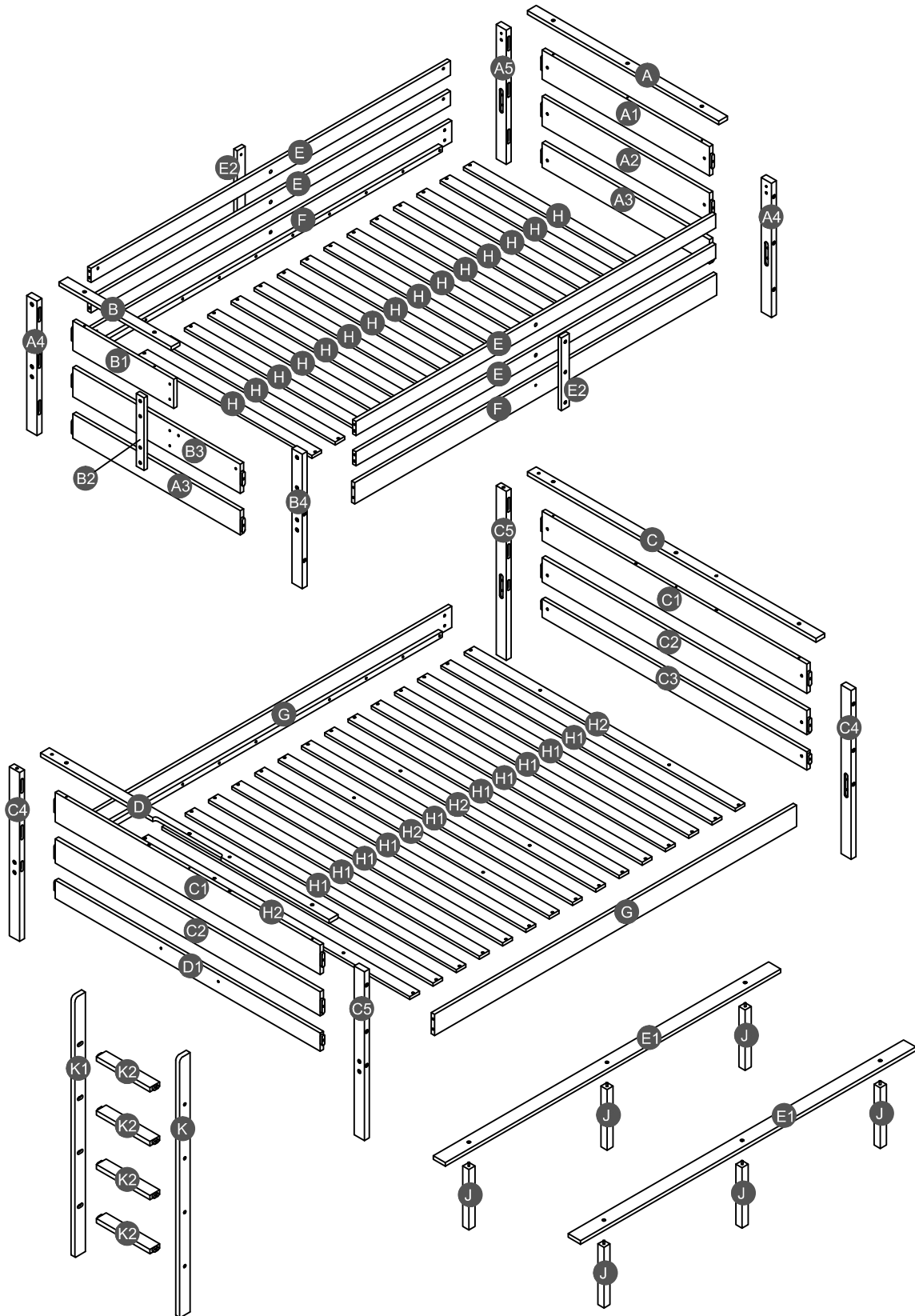
THIS BED IS DESIGNED TO USE A TWIN XL MATTRESSES 38 1/2" WIDE X 79"-80" LONG WITH THE TOTAL THICKNESS NOT EXCEEDING 6" FOR UPPER BUNK, FOR THE LOWER QUEEN-SIZE SHOULD BE 60" WIDE X 80" LONG, WIDE WITH 8" THICKNESS.

SURFACE OF MATTRESS MUST BE AT LEAST 5" (127MM) BELOW THE UPPER EDGE OF GUARDRAILS.

Replacement Parts:


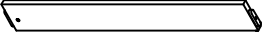


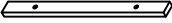
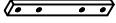




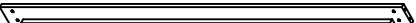

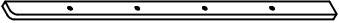
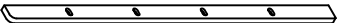
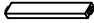
Replacement Parts, including additional guardrails, may be obtained from any of our (GIGACLOUD TECHNOLOGY (USA) INC. 18961 ARENTH AVENUE, CITY OF INDUSTRY , CA, 91748.) dealers

Detail View


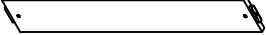
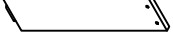
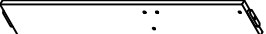
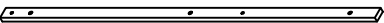
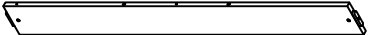
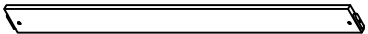
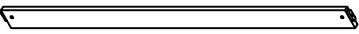


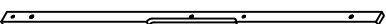


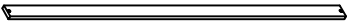
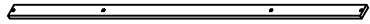
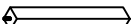


Part List

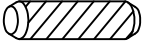
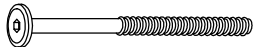
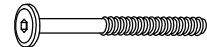
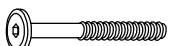




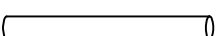


WF312639

A  Cap for upper HB - 1pc	A3  Lower horizontal bar HB/FB - 2pcs	A4  Upper leg (Left Back /Right Front) - 2pcs
A5  Upper leg (Right Back) - 1pc	B  Cap for upper FB - 1pc	B2  Vertical guard rail FB - 1pc
B4  Upper leg (Left Front) - 1pc	E  Upper Guard rail (Front/Back) - 4pcs	E2  Vertical guard rail - 2pcs
F  Upper side rail (Front/Back) - 2pcs	G  Lower side rail (Front/Back) - 2pcs	H  Slats - 15pcs
K  Side ladder (Front) - 1pc	K1  Side ladder (Back) - 1pc	K2  Step ladder - 4pcs

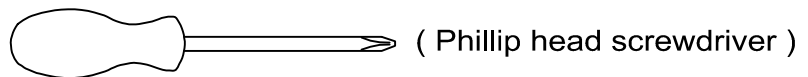
WF312640 + Hardware inside

A1  Upper horizontal bar HB - 1pc	A2  Divider horizontal bar HB - 1pc	B1  Upper horizontal bar FB - 1pc
B3  Divider horizontal bar FB - 1pc	C  Cap for lower FB - 1pc	C1  Upper horizontal bar HB/FB - 2pcs
C2  Divider horizontal bar HB/FB - 2pcs	C3  Lower horizontal bar HB - 1pc	C4  Lower leg (Left Back/Right Front) - 2pcs
C5  Lower leg (Left Front/Right Back) - 2pcs	D  Cap for lower HB - 1pc	D1  Lower horizontal bar FB - 1pc
E1  Lower support slat - 2pcs	H1  Slats - 11pcs	H2  Slats - 4pcs
J  Leg support - 6pcs		

Hardware List WF312640

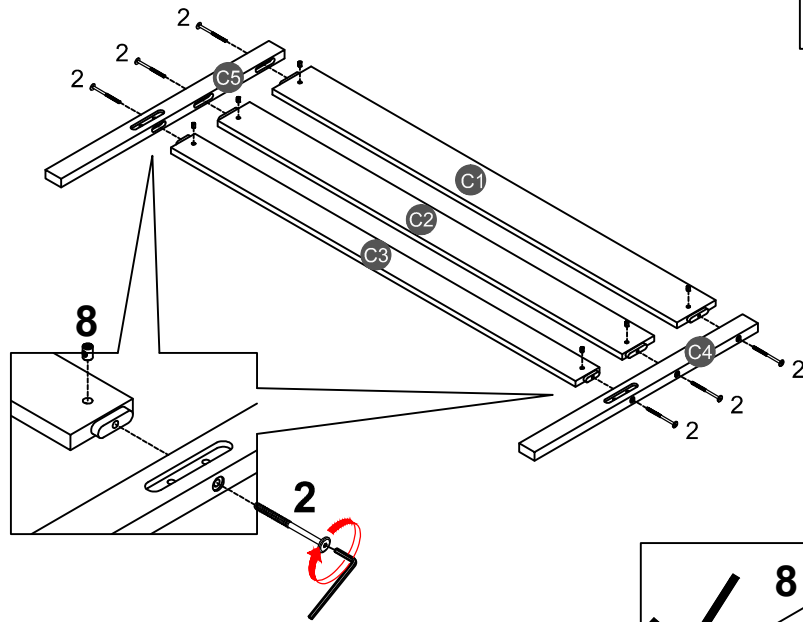
1  Ø10*40mm	2  (Ø15)1/4"*100mm	3  (Ø15)1/4"*80mm
Wood dowel (8pcs)	Hex-Head bolts (23pcs)	Hex-Head bolts (24pcs)
4  (Ø12)1/4"*60mm	5  (Ø12)1/4"*40mm	6  (Ø12)1/4"*30mm
Hex-Head bolts (8pcs)	Hex-Head bolts (4pcs)	Hex-Head bolts (10pcs)
7  (Ø12)1/4"*40mm	8  1/4"*15 (9.5mm)	9  Ø9*90mm
Hex-Head bolts (11pcs)	Horizontal-Hole bolts(55pcs)	Connecting bar (4pcs)
10  Ø4*30mm	11  (1/4")4.5*58mm	
Wood screws (68pcs)	Allen key (1pc)	

ASSEMBLY TOOLS REQUIRED (NOT INCLUDED)



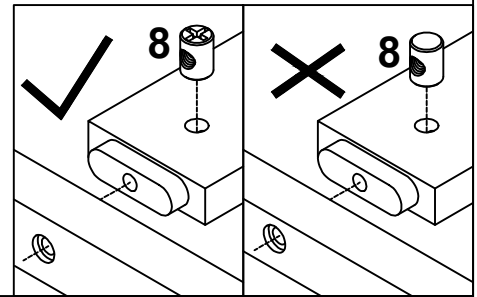
DO NOT USE POWER TOOLS TO ASSEMBLE THIS PRODUCT !

STEP 1:

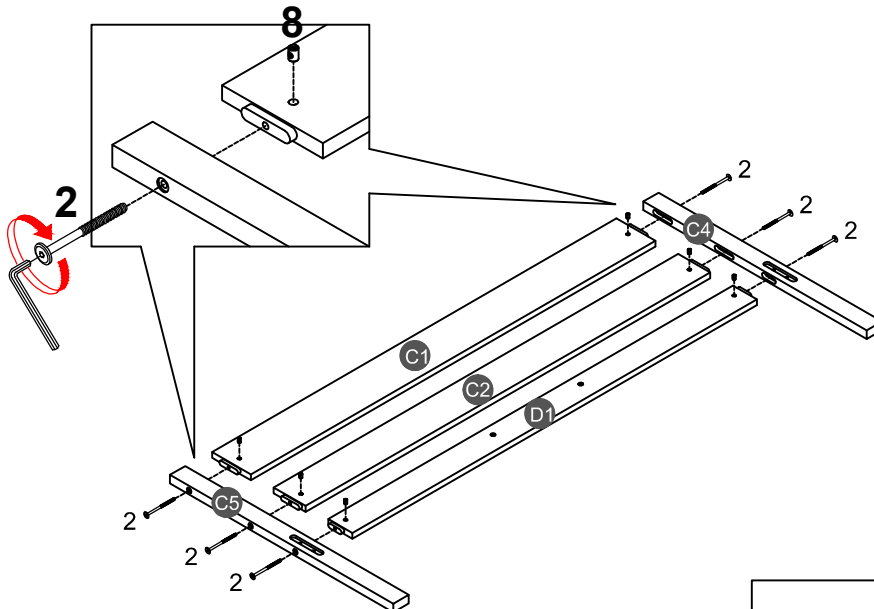


2	8
6PCS	6PCS

Note: Part 8 will face up with the "x" mark on it, otherwise it cannot be tightened

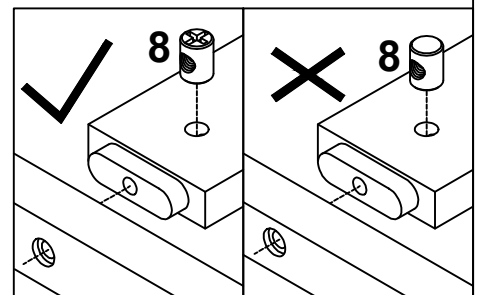


STEP 2:

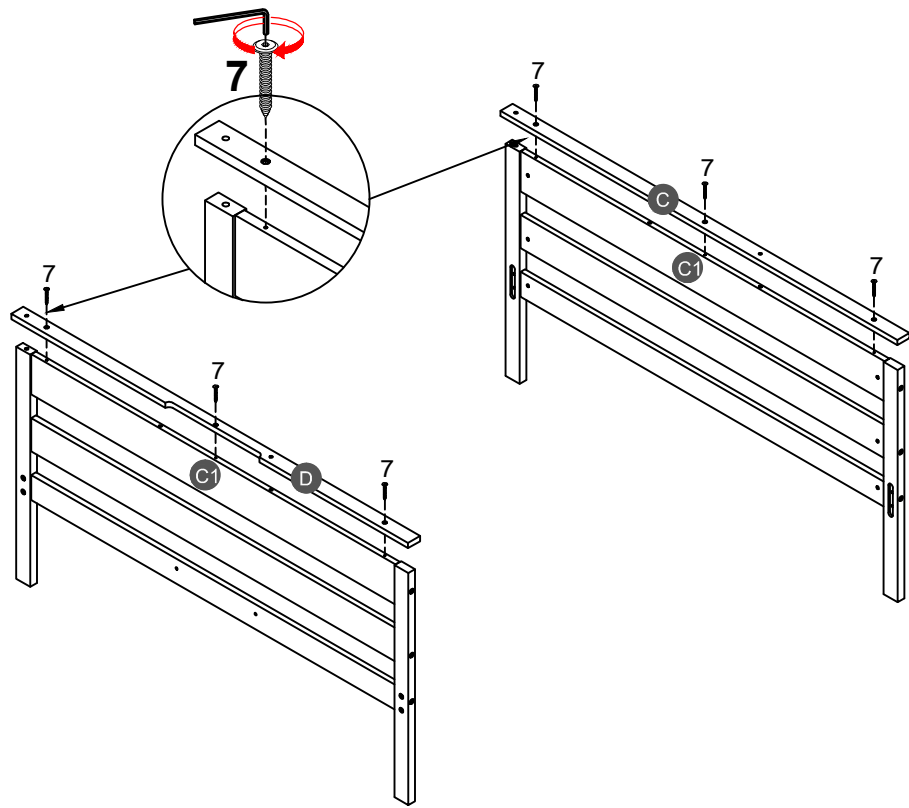


2	8
6PCS	6PCS

Note: Part 8 will face up with the "x" mark on it, otherwise it cannot be tightened



STEP 3:

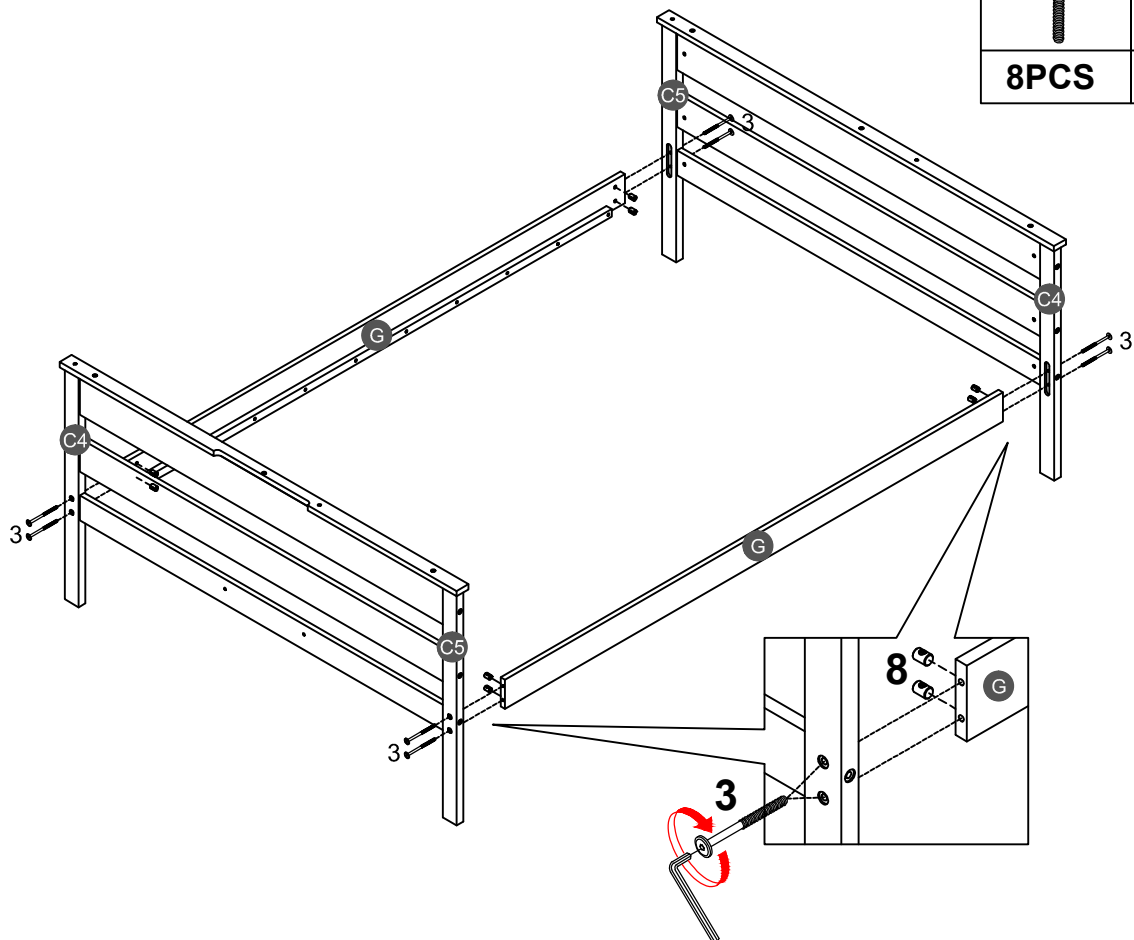


7

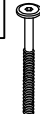


6PCS

STEP 4:



3



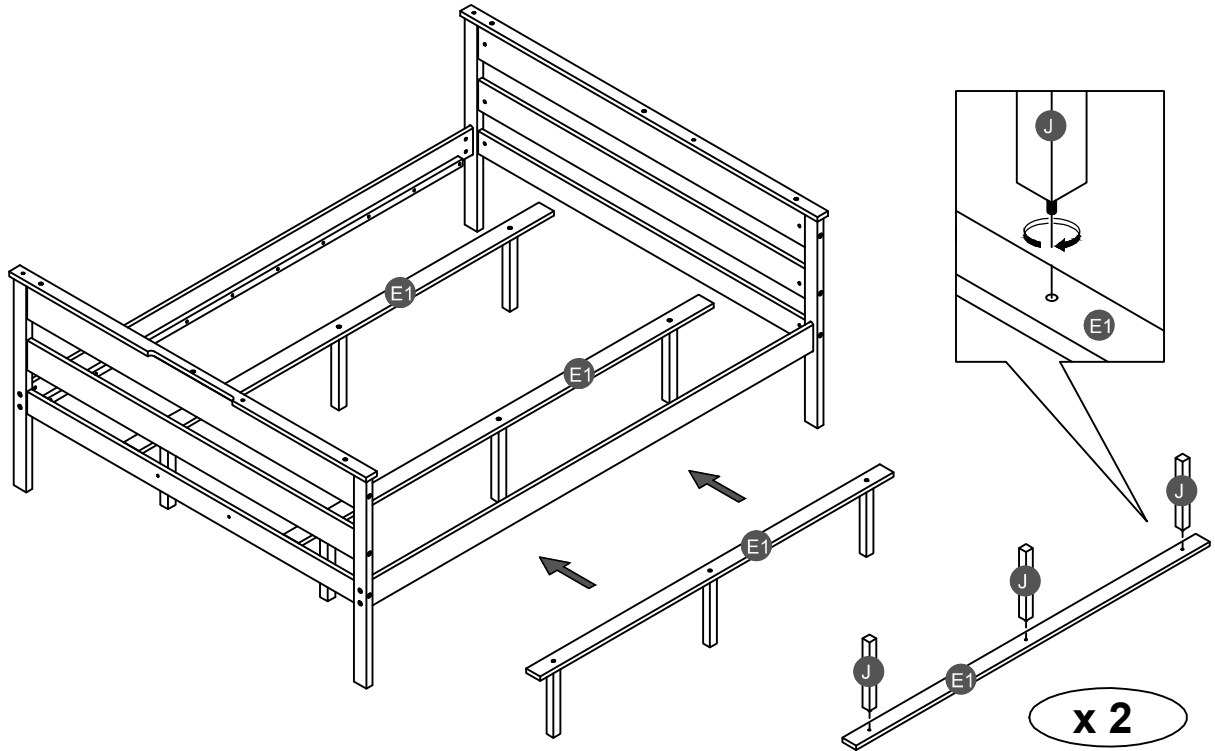
8PCS

8



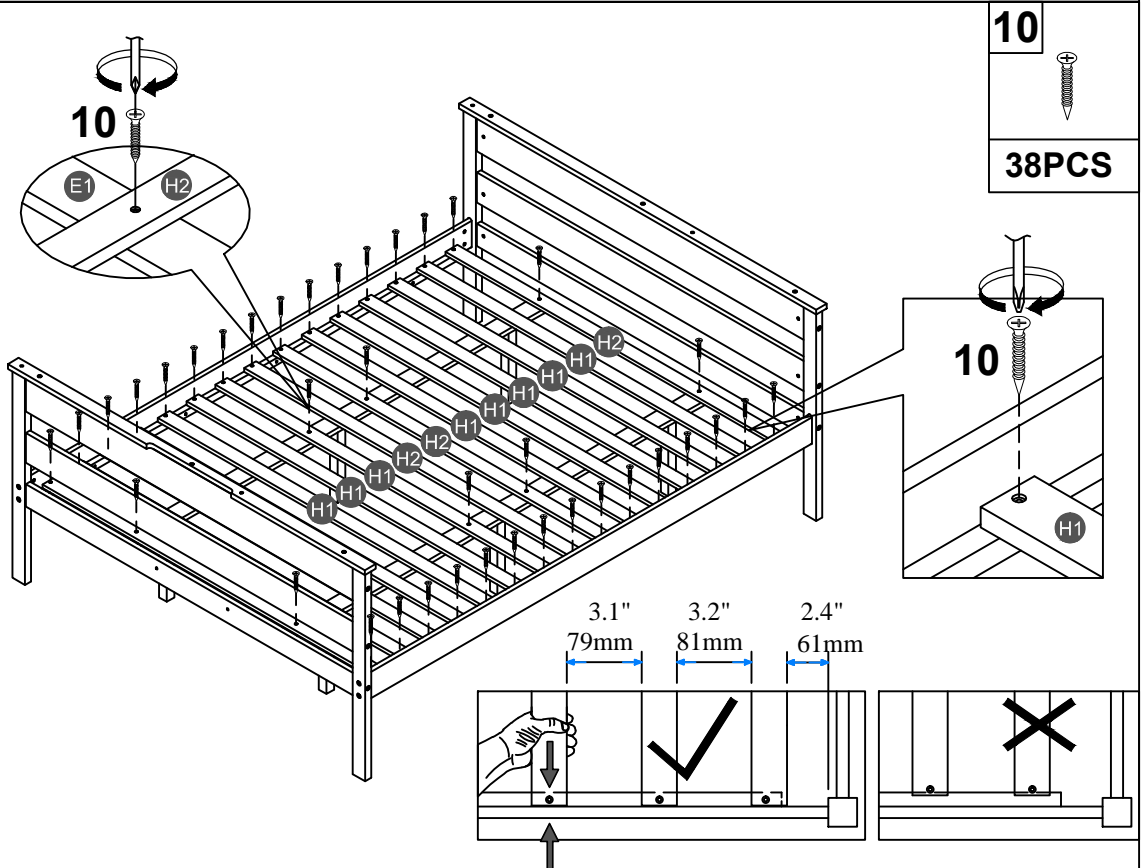
8PCS

STEP 5:





Assembling leg support (J) with lower support slat (E1) later rotate, Move support slat inside bunkbed.

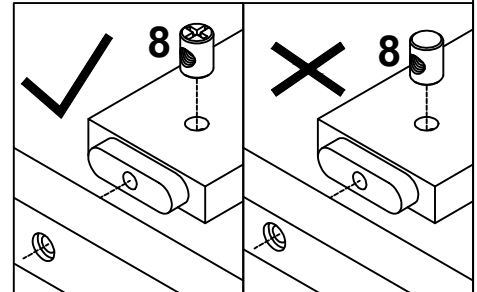
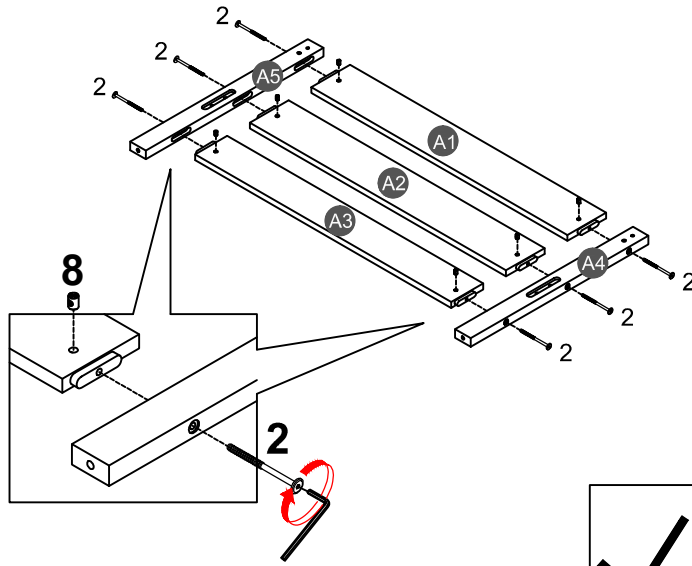
STEP 6:



NOTE: Please make sure the bed slats close to the side rail before locking the screws to avoid breakage. This step is required for both the left and right sides. Moreover, please do not lock the screws of the bed slats at the outermost edge to avoid damaging.


STEP 7:

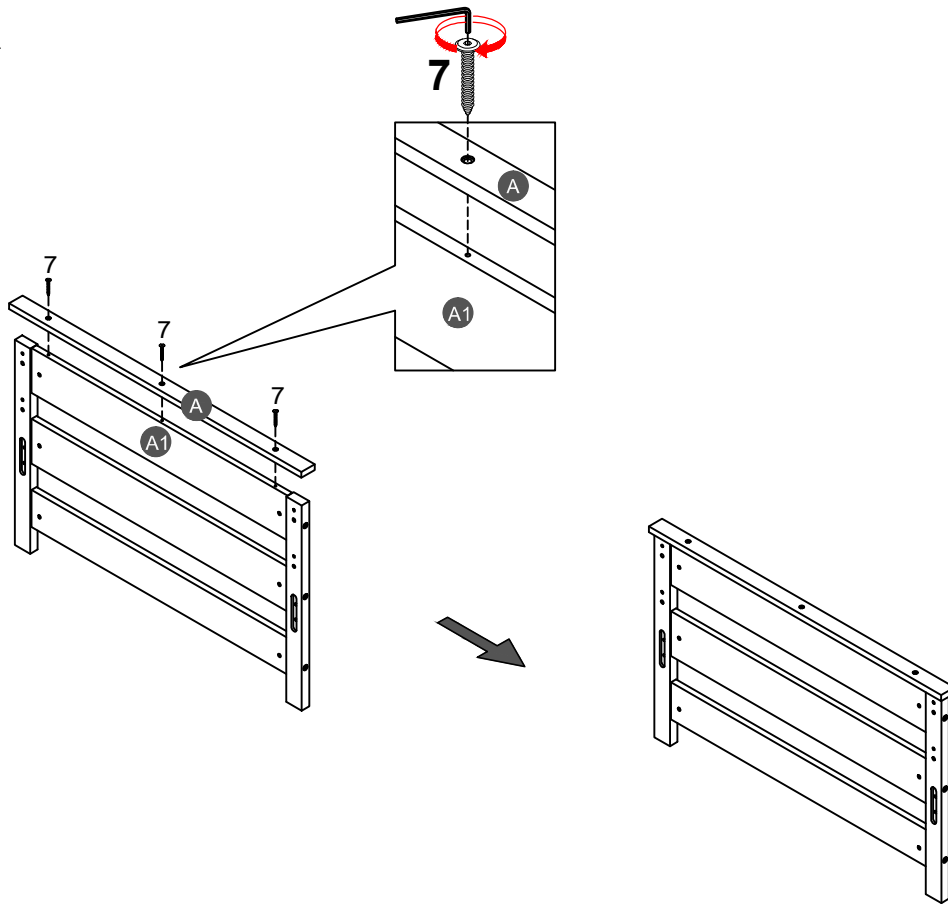
2		8	
6PCS		6PCS	





Note: Part 8 will face up with the "x" mark on it, otherwise it cannot be tightened

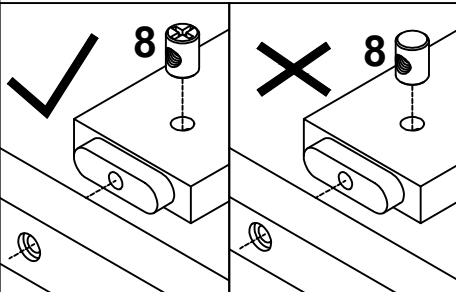
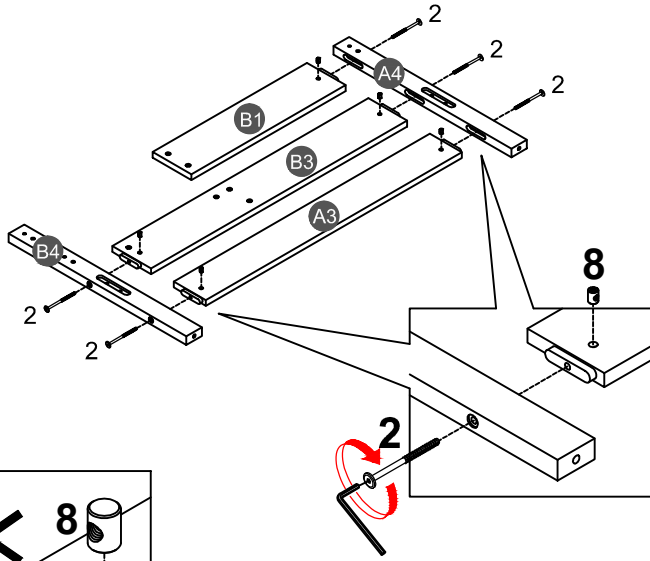
STEP 8:

7	
3PCS	





STEP 9:

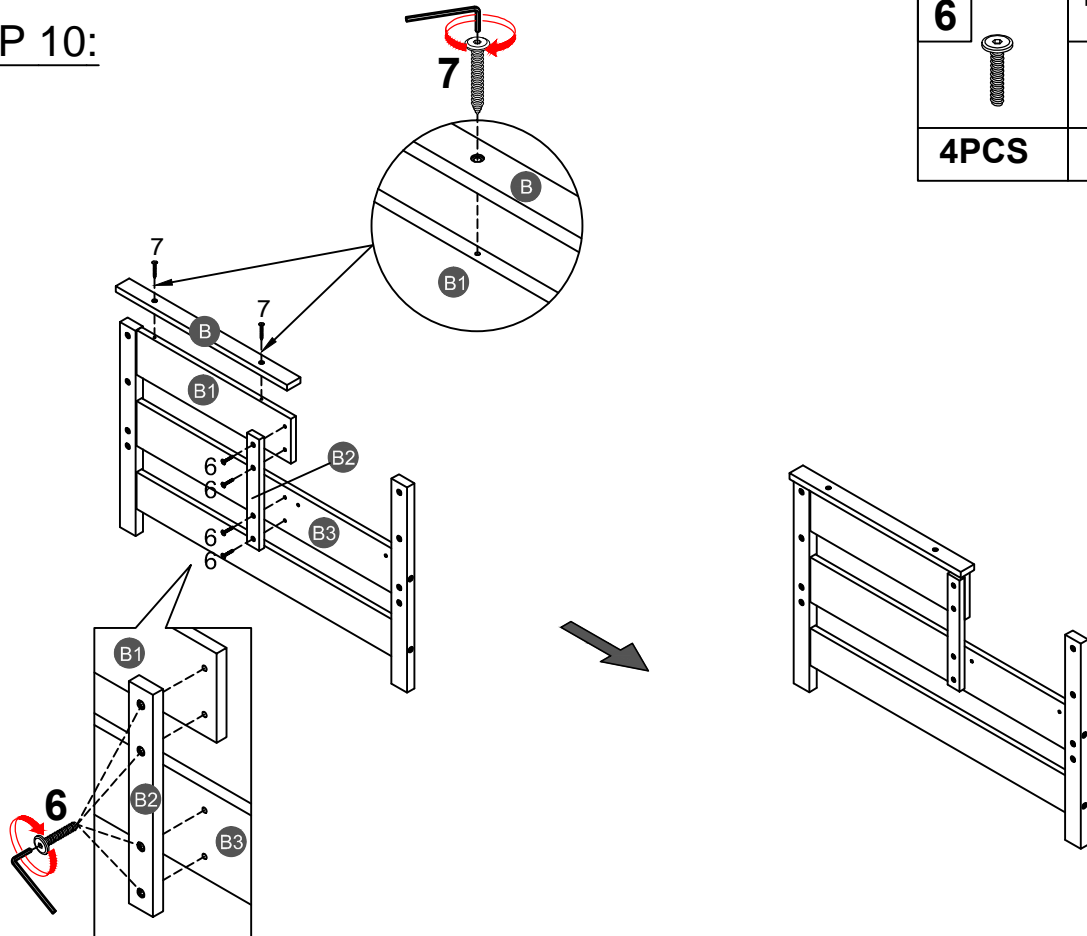
2		8	
5PCS		5PCS	






Note: Part 8 will face up with the "x" mark on it, otherwise it cannot be tightened

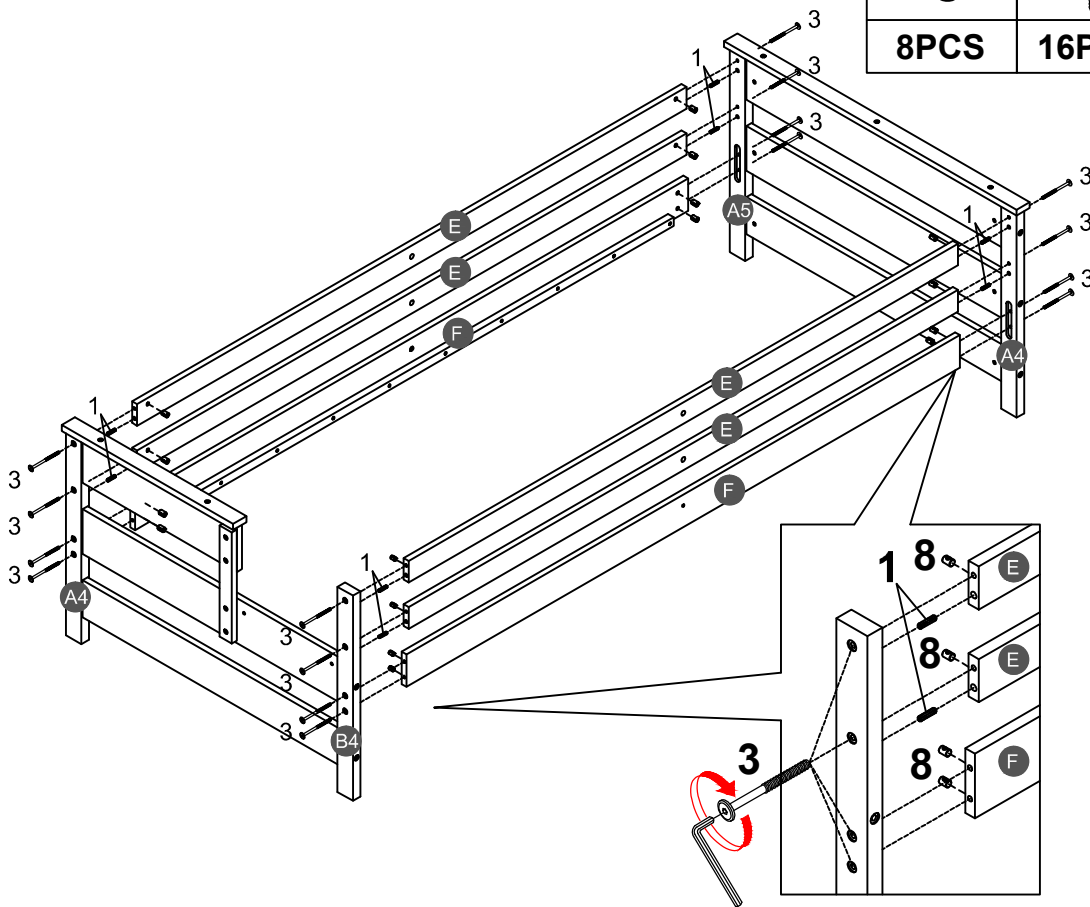
STEP 10:

6		7	
4PCS		2PCS	




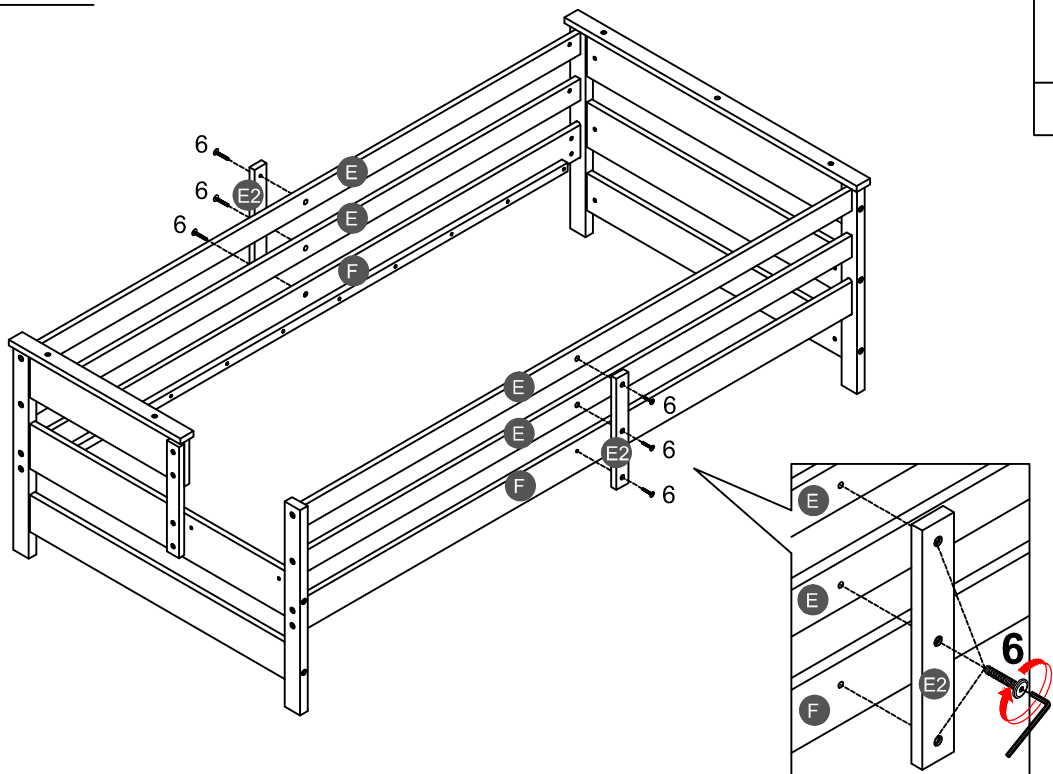
STEP 11:

1		3		8	
8PCS		16PCS		16PCS	



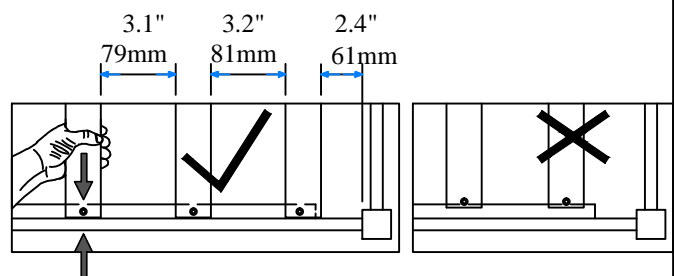
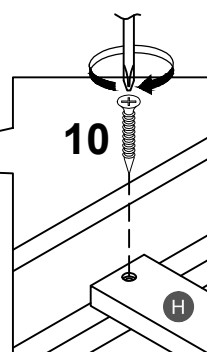
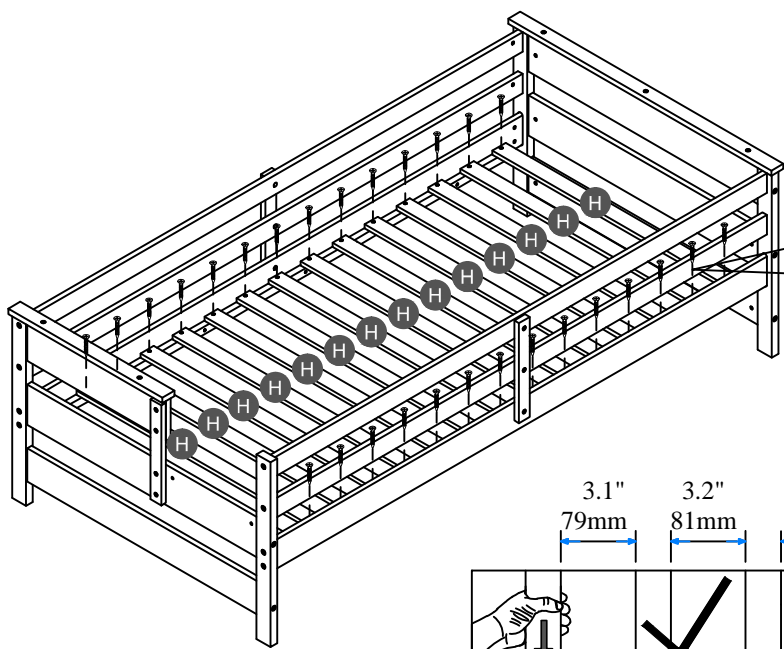
STEP 12:

6	
6PCS	

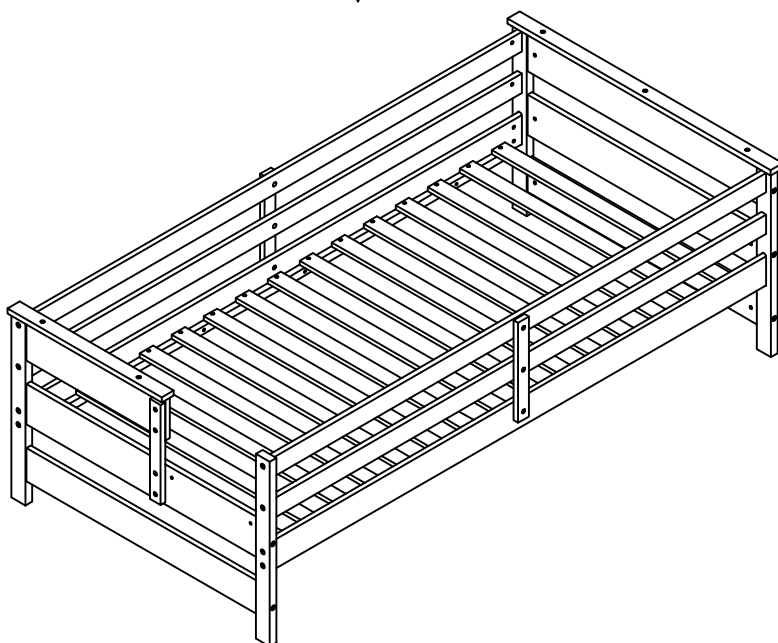


STEP 13:

10
30PCS

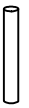


NOTE: Please make sure the bed slats close to the side rail before locking the screws to avoid breakage. This step is required for both the left and right sides. Moreover, please do not lock the screws of the bed slats at the outermost edge to avoid damaging.

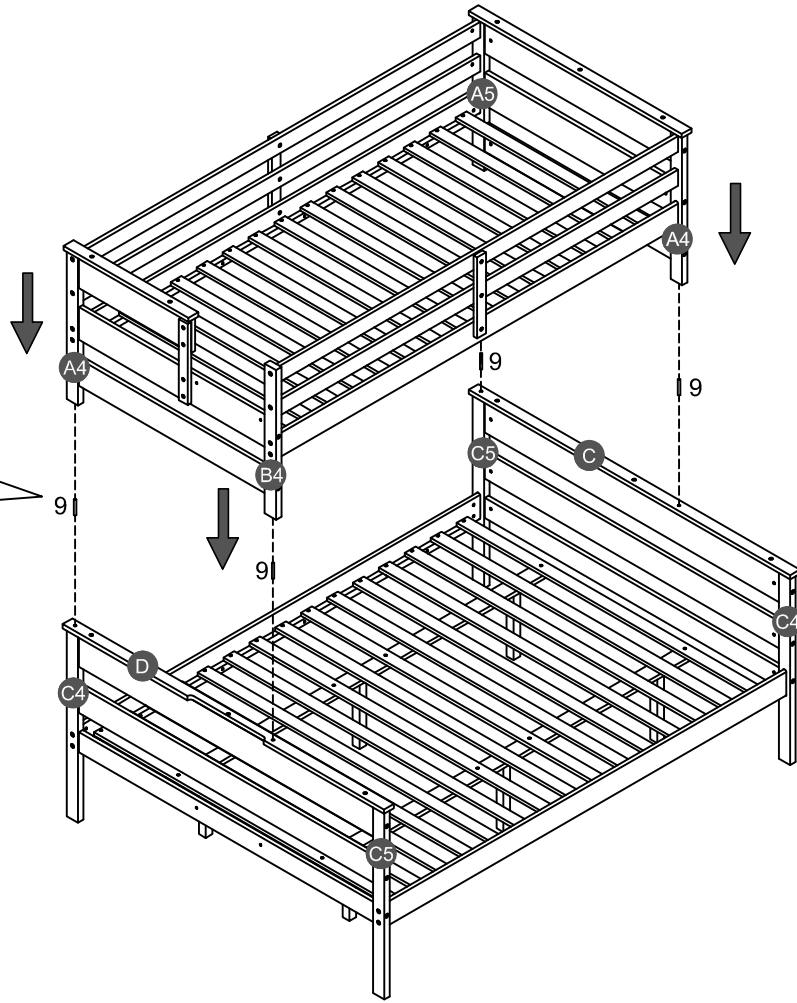
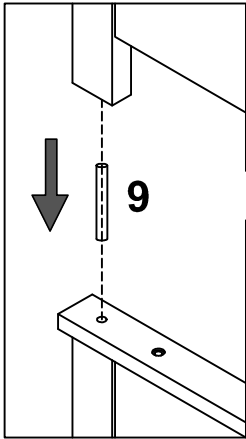


STEP 14:

9



4PCS



STEP 15:

4

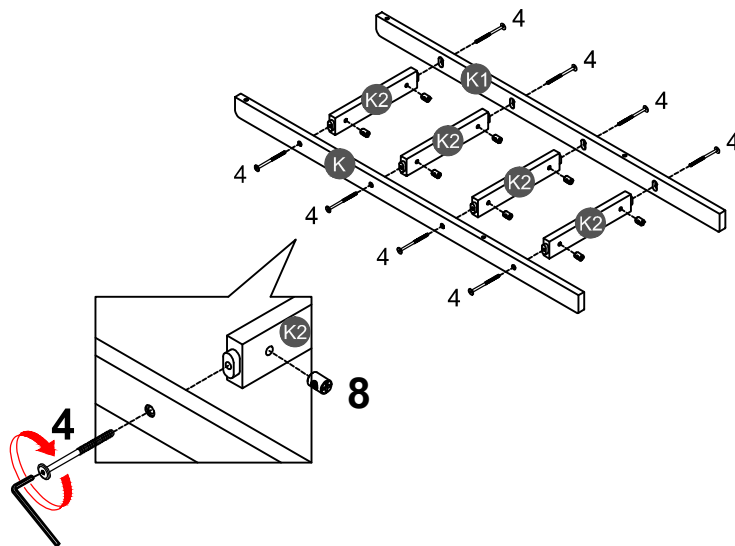


8PCS

8



8PCS

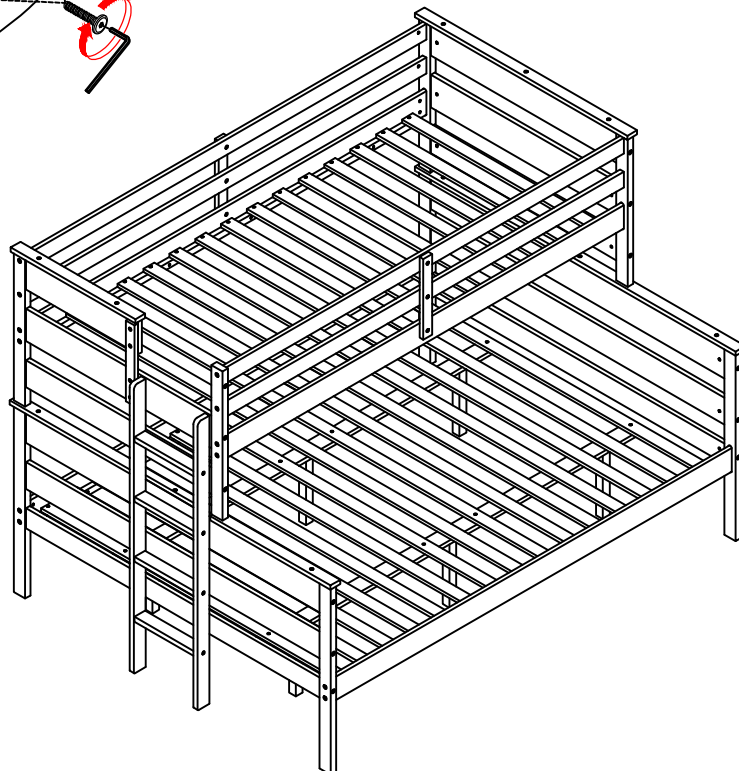
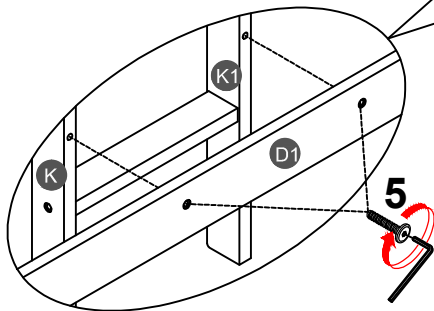
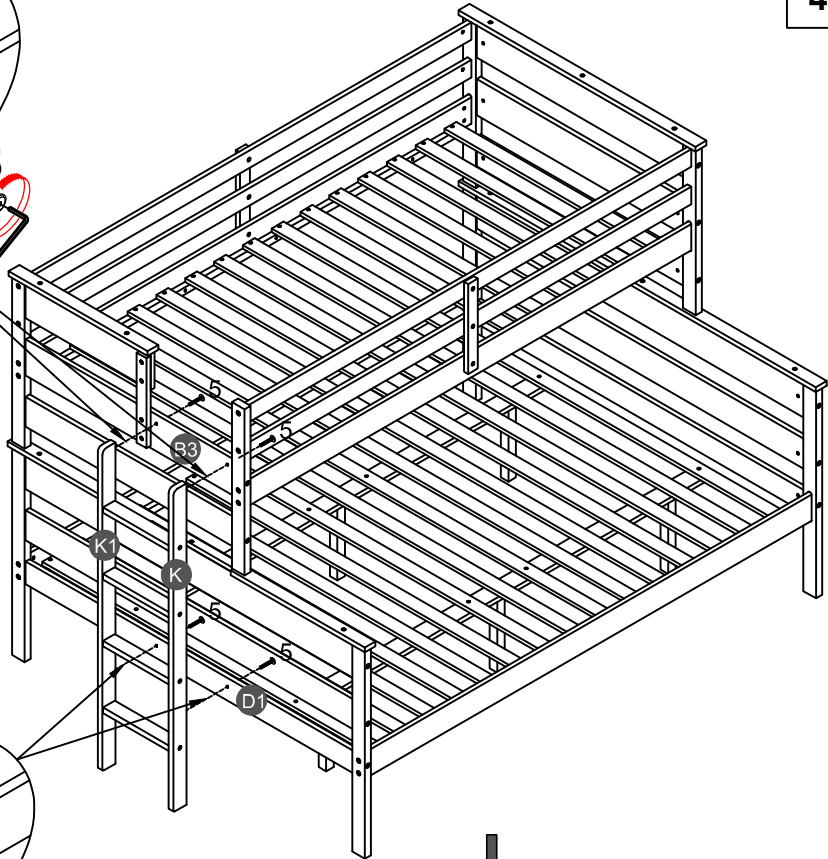
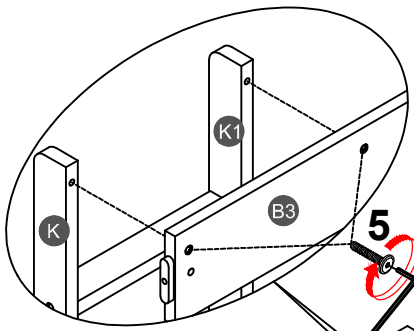


STEP 16:

5



4PCS



Make sure to tighten all the screws of the bed.