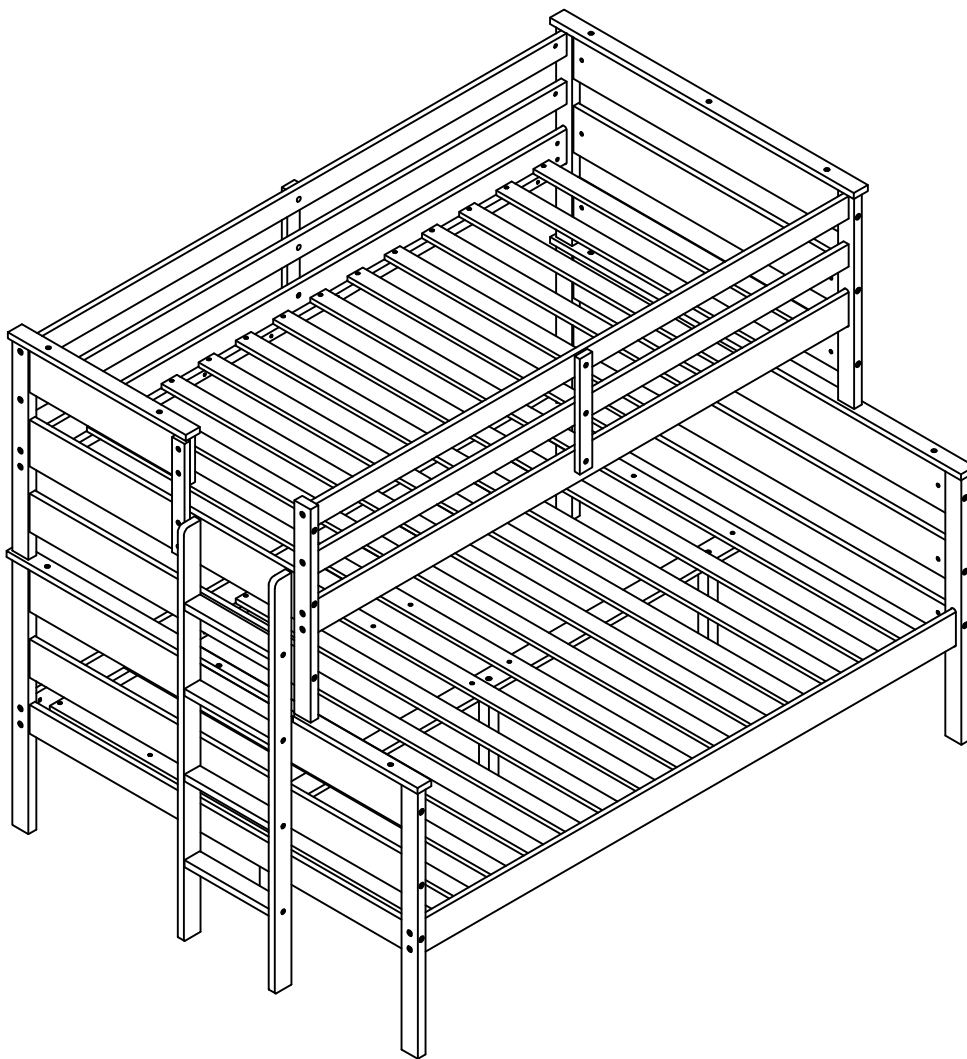


# ASSEMBLY INSTRUCTIONS

## TWIN/FULL BUNK BED



**WF312641/WF312642**

## SAFETY WARNINGS AND GENERAL NOTES:

Follow the information on the warnings on the bunk bed end structure and on the carton. Do not remove the warning label from the bed. Always use the recommended size mattress on mattress support, or both, to help prevent the likelihood of entrapment or falls.

The top surface of the mattress must be at least 5\*inch (127mm) below the upper edge of the guardrail.

Do not allow children under 6 years of age to use the upper bunk.

Periodically check and ensure the guardrail, ladder and other components are in their proper position, free from damage, and all connectors are tight.

Do not allow horseplay on or under beds.

Always prohibit jumping on the bed.

Prohibit more than one person on upper bunk.

Always use the ladder for entering and leaving the upper bunk.

Do not use substitute parts. Contact the manufacturer or dealer for replacement parts.

Use of a night-light may provide added safety precaution for a child using the upper bunk.

Always use guardrails on both long sides of the upper bunk.

If the bunk bed will be placed next to a wall, the guardrail that runs the full length of the bed should be placed against the wall to prevent entrapment between the bed and the wall.

The use of water or sleep flotation mattresses is prohibited.

**STRANGULATION HAZARD**-Never attach or hang items to any part of the bunk bed that are not designed for use with the bed.

Keep these instructions for future reference.

We recommend assembling your bunk bed on the shipping carton to protect your floor or carpet.

Be certain all staples are out of the box before beginning assembly on the shipping carton.

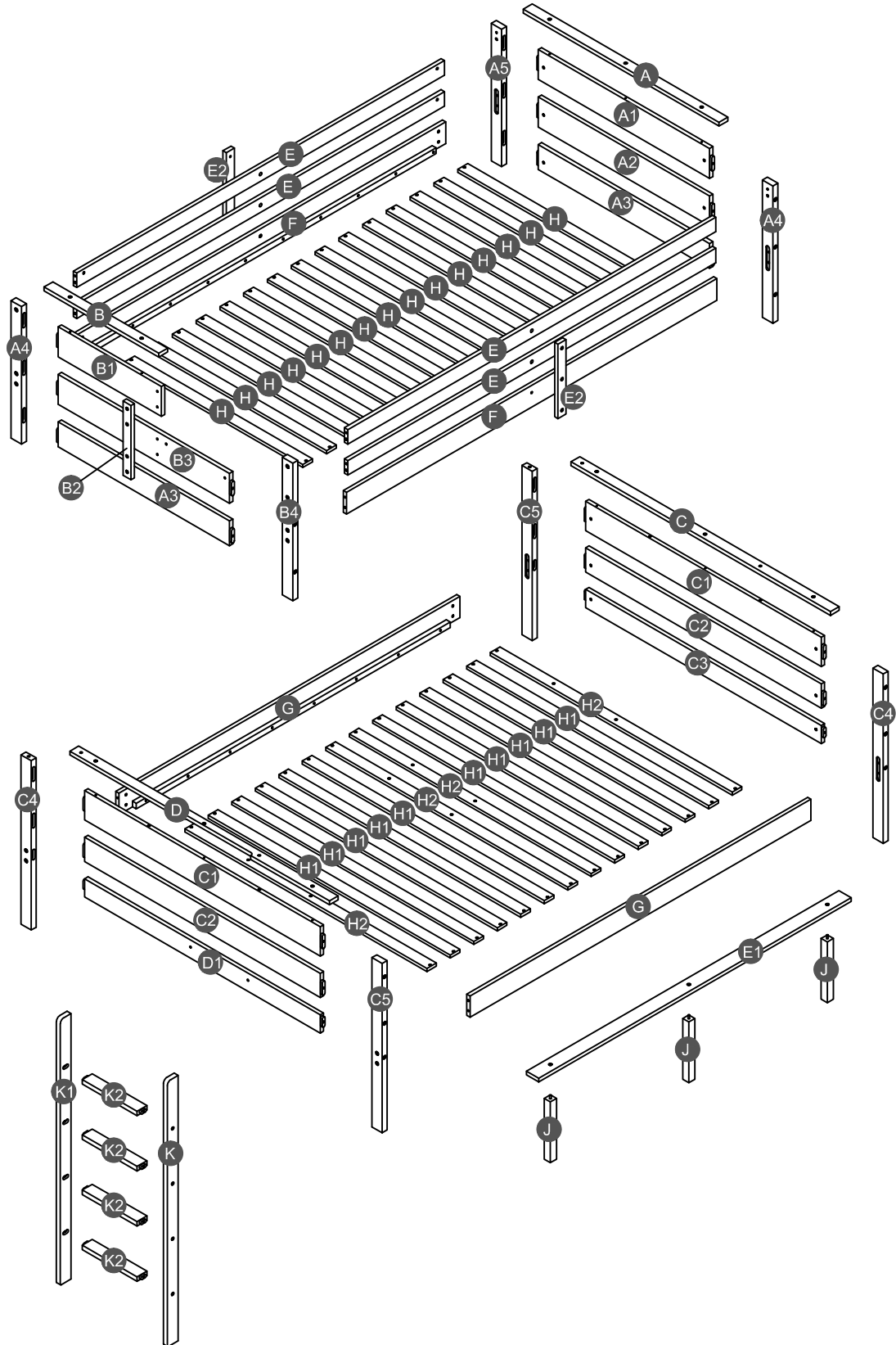
**THIS BED IS DESIGNED TO USE A TWIN MATTRESSES 38 1/2" WIDE X 74"-75" LONG WITH THE TOTAL THICKNESS NOT EXCEEDING 6" FOR UPPER BUNK, FOR THE LOWER FULL-SIZE SHOULD BE 54" WIDE X 74"-75" LONG, WIDE WITH 8" THICKNESS.**

**SURFACE OF MATTRESS MUST BE AT LEAST 5" (127MM) BELOW THE UPPER EDGE OF GUARDRAILS.**

Replacement Parts:

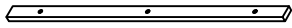

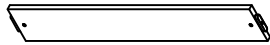
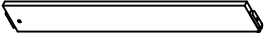
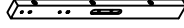

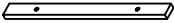
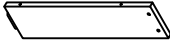
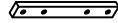
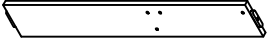




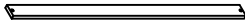
Replacement Parts, including additional guardrails, may be obtained from any of our (GIGACLOUD TECHNOLOGY (USA) INC. 18961 ARENTH AVENUE, CITY OF INDUSTRY , CA, 91748.) dealers

# Detail View


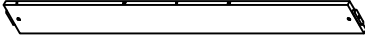
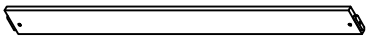
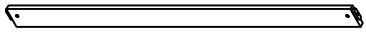
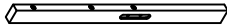
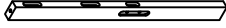
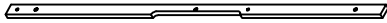
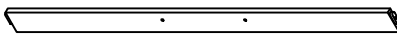


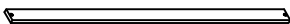

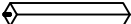
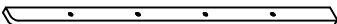

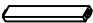


# Part List

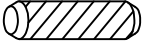
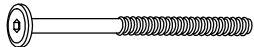
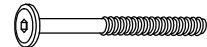
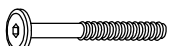




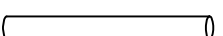


## WF312641

<b>A</b>  Cap for upper HB - 1pc	<b>A1</b>  Upper horizontal bar HB - 1pc	<b>A2</b>  Divider horizontal bar HB - 1pc
<b>A3</b>  Lower horizontal bar HB/FB - 2pcs	<b>A4</b>  Upper leg (Left Back / Right Front) - 2pcs	<b>A5</b>  Upper leg (Right Back) - 1pc
<b>B</b>  Cap for upper FB - 1pc	<b>B1</b>  Upper horizontal bar FB - 1pc	<b>B2</b>  Vertical guard rail FB - 1pc
<b>B3</b>  Divider horizontal bar FB - 1pc	<b>B4</b>  Upper leg (Left Front) - 1pc	<b>E</b>  Upper Guard rail (Front/Back) - 4pcs
<b>E2</b>  Vertical guard rail - 2pcs	<b>F</b>  Upper side rail (Front/Back) - 2pcs	<b>H</b>  Slats - 14pcs

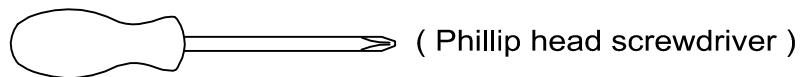
## WF312642 + Hardware inside

<b>C</b>  Cap for lower FB - 1pc	<b>C1</b>  Upper horizontal bar HB/FB - 2pcs	<b>C2</b>  Divider horizontal bar HB/FB - 2pcs
<b>C3</b>  Lower horizontal bar HB - 1pc	<b>C4</b>  Lower leg (Left Back/Right Front) - 2pcs	<b>C5</b>  Lower leg (Left Front/Right Back) - 2pcs
<b>D</b>  Cap for lower HB - 1pc	<b>D1</b>  Lower horizontal bar FB - 1pc	<b>E1</b>  Lower support slat - 1pc
<b>G</b>  Lower side rail (Front/Back) - 2pcs	<b>H1</b>  Slats - 10pcs	<b>H2</b>  Slats - 4pcs
<b>J</b>  Leg support - 3pcs	<b>K</b>  Side ladder (Front) - 1pc	<b>K1</b>  Side ladder (Back) - 1pc
<b>K2</b>  Step ladder - 4pcs		

# Hardware List WF312642



<b>1</b>  Ø10*40mm	<b>2</b>  (Ø15)1/4"*100mm	<b>3</b>  (Ø15)1/4"*80mm
Wood dowel (8pcs)	Hex-Head bolts (23pcs)	Hex-Head bolts (24pcs)
<b>4</b>  (Ø12)1/4"*60mm	<b>5</b>  (Ø12)1/4"*40mm	<b>6</b>  (Ø12)1/4"*30mm
Hex-Head bolts (8pcs)	Hex-Head bolts (4pcs)	Hex-Head bolts (10pcs)
<b>7</b>  (Ø12)1/4"*40mm	<b>8</b>  1/4"*15 (9.5mm)	<b>9</b>  Ø9*90mm
Hex-Head bolts (11pcs)	Horizontal-Hole bolts(55pcs)	Connecting bar (4pcs)
<b>10</b>  Ø4*30mm	<b>11</b>  (1/4")4.5*58mm	
Wood screws (60pcs)	Allen key (1pc)	

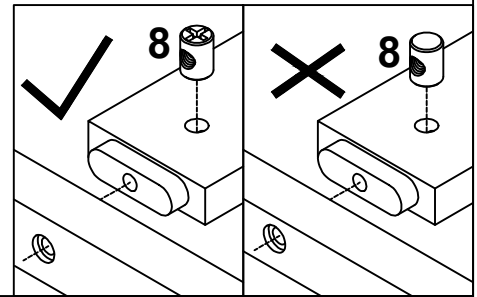
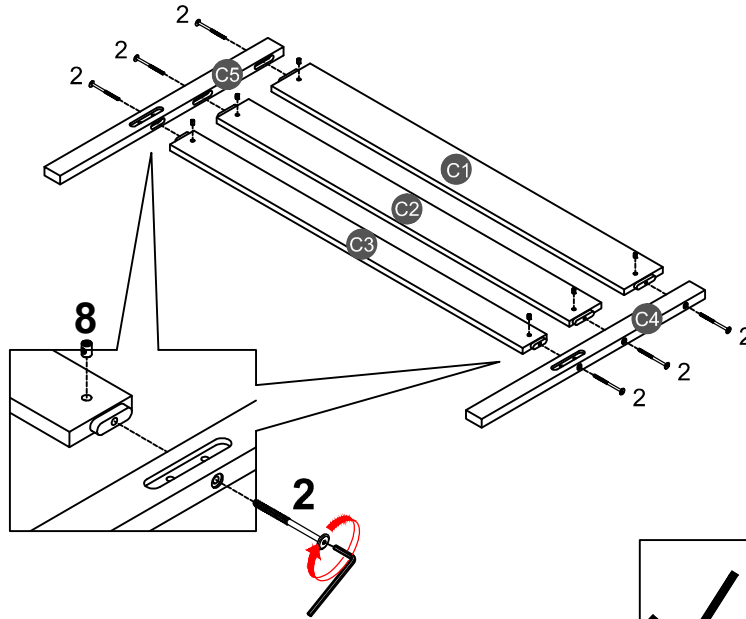
## ASSEMBLY TOOLS REQUIRED ( NOT INCLUDED )



DO NOT USE POWER TOOLS TO ASSEMBLE THIS PRODUCT !



**STEP 1:**

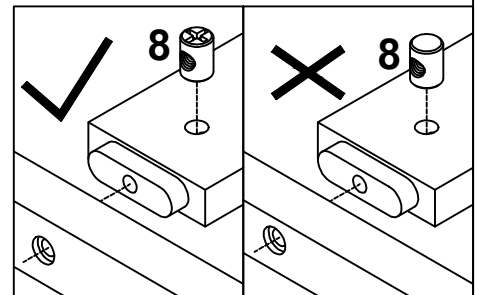
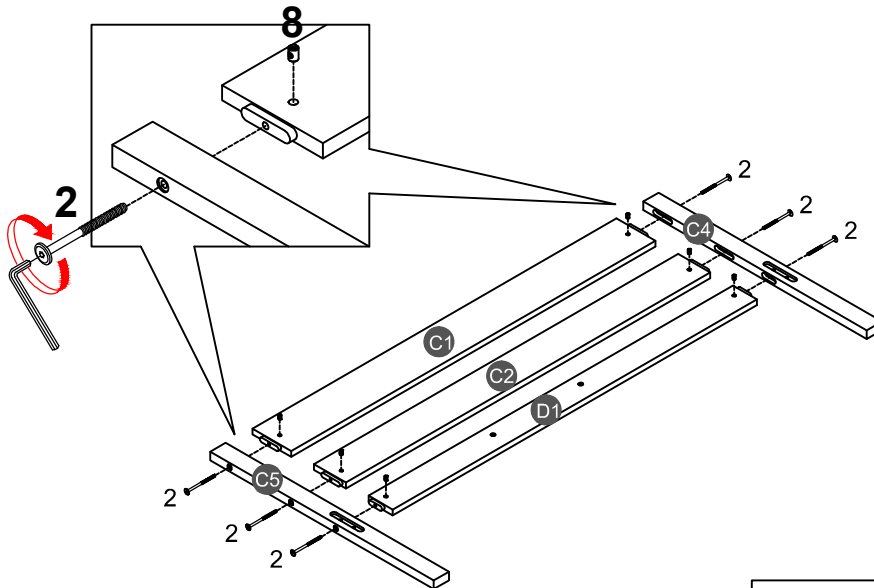
<b>2</b>		<b>8</b>	
<b>6PCS</b>		<b>6PCS</b>	



Note: Part 8 will face up with the "x" mark on it, otherwise it cannot be tightened

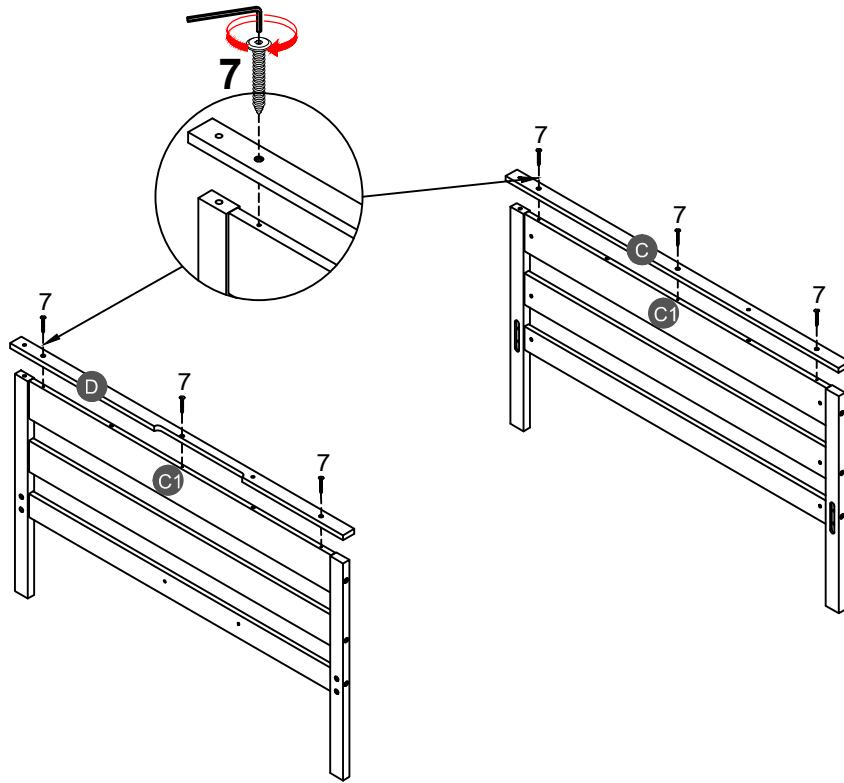
**STEP 2:**

<b>2</b>		<b>8</b>	
<b>6PCS</b>		<b>6PCS</b>	



Note: Part 8 will face up with the "x" mark on it, otherwise it cannot be tightened

**STEP 3:**

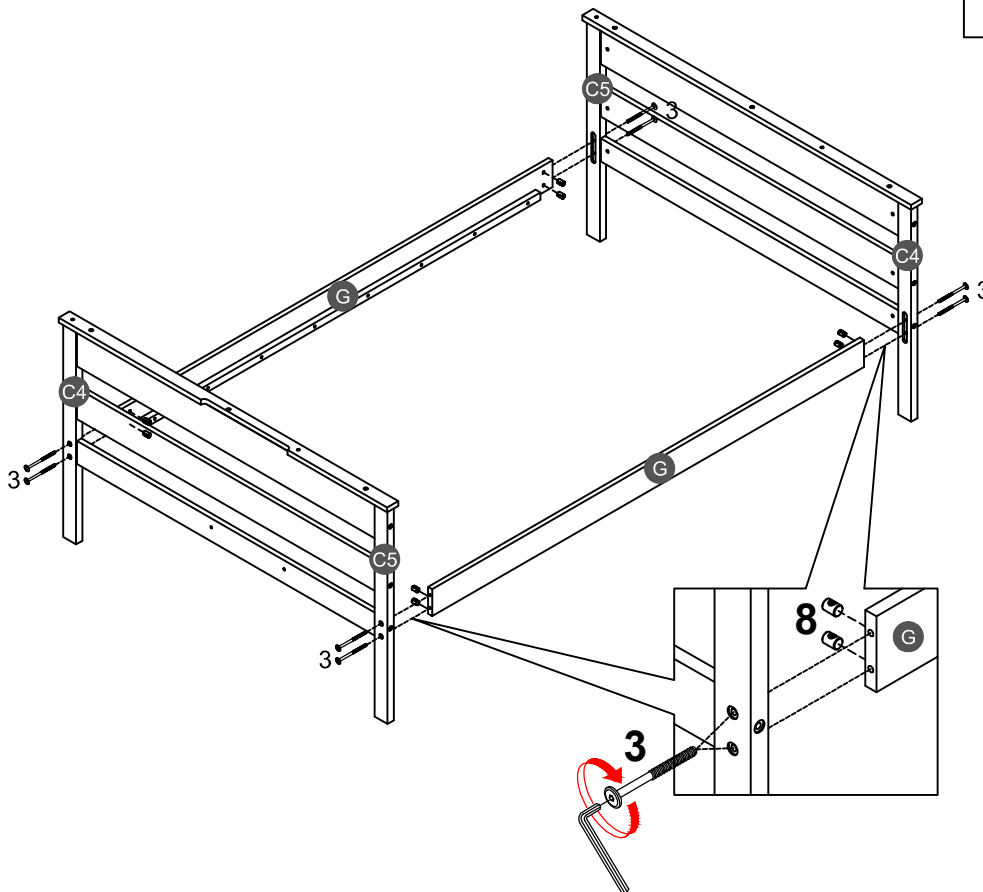


7



6PCS

**STEP 4:**



3



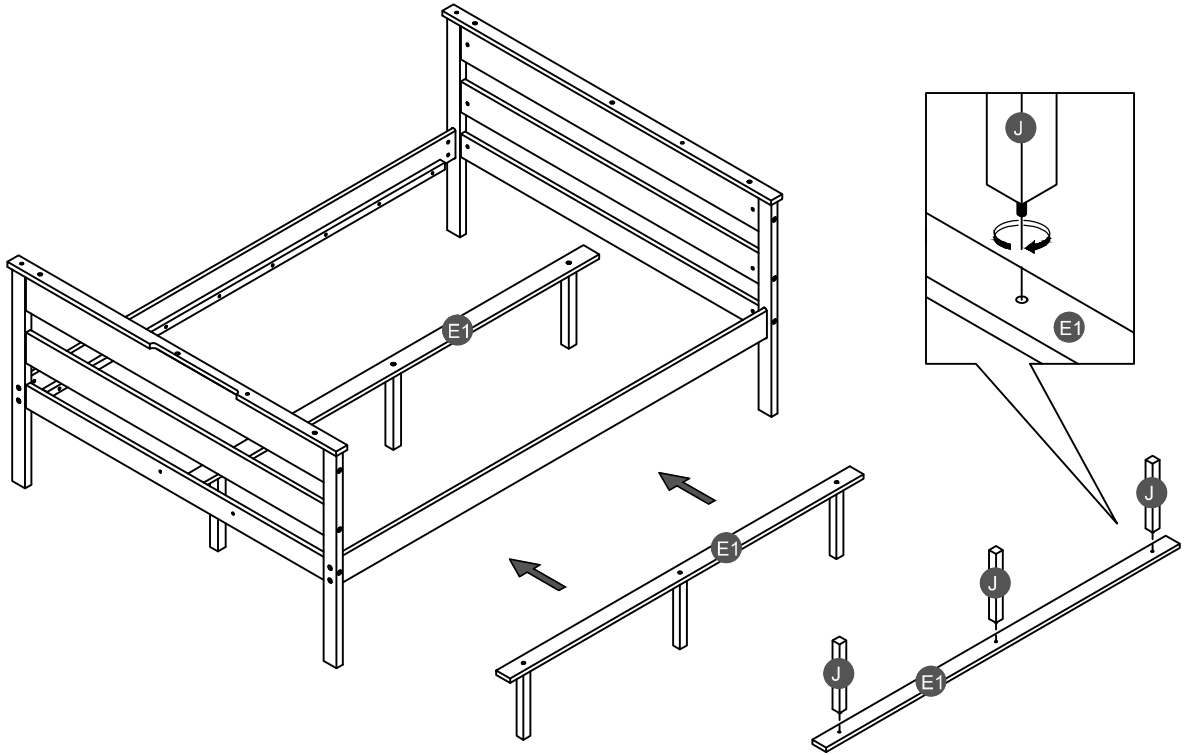
8PCS

8



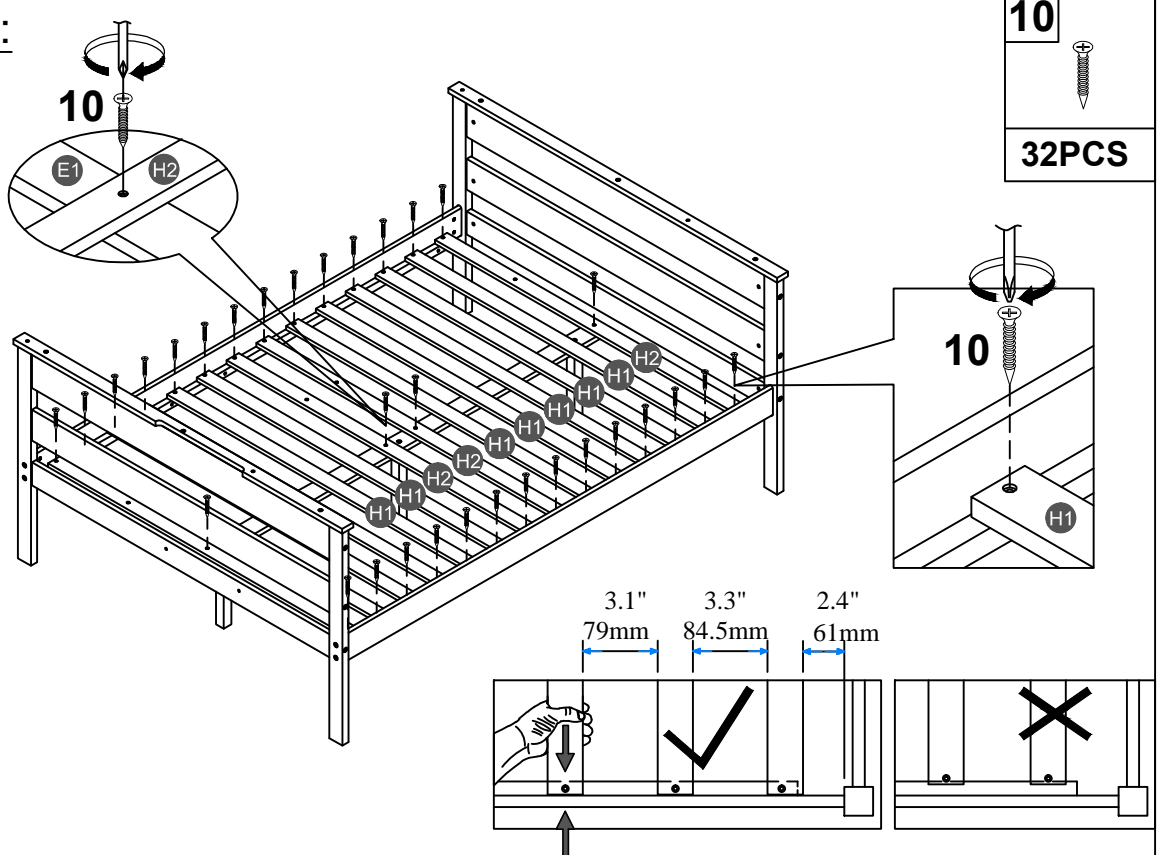
8PCS

**STEP 5:**



Assembling leg support (J) with lower support slat (E1) later rotate, Move support slat inside bunkbed.



**STEP 6:**

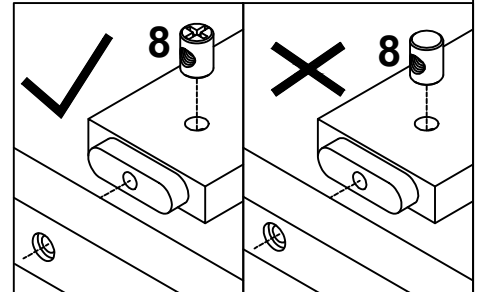
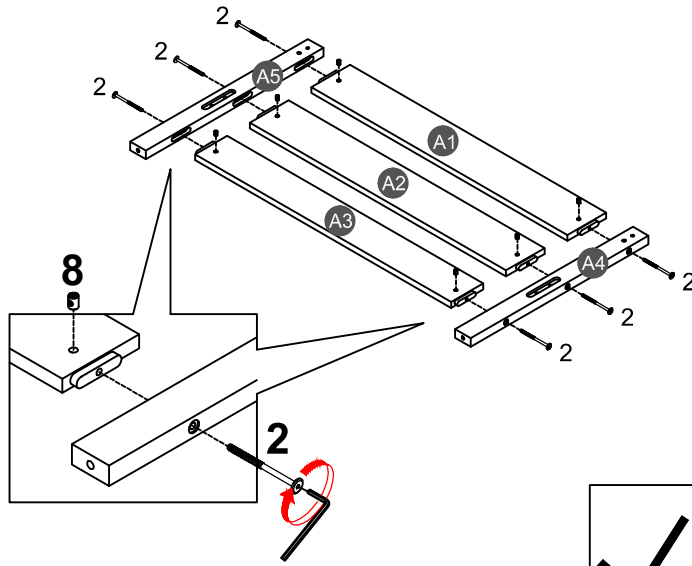


**NOTE:** Please make sure the bed slats close to the side rail before locking the screws to avoid breakage. This step is required for both the left and right sides. Moreover, please do not lock the screws of the bed slats at the outermost edge to avoid damaging.




**STEP 7:**

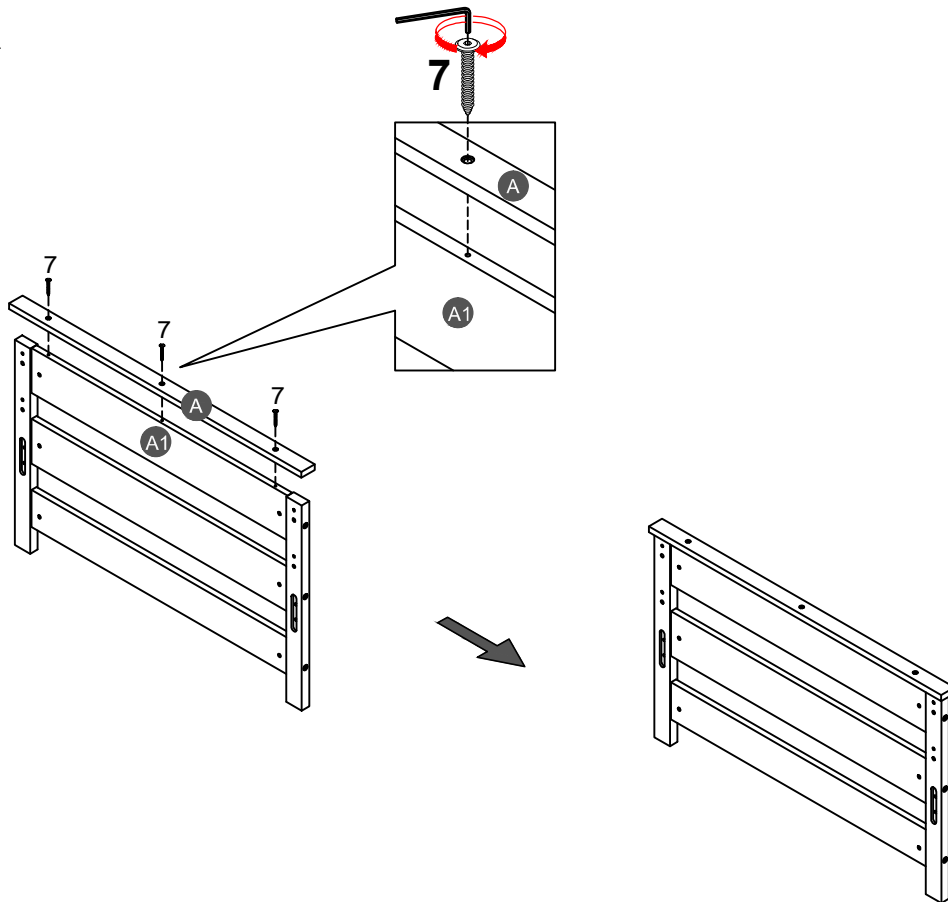
<b>2</b>		<b>8</b>	
<b>6PCS</b>		<b>6PCS</b>	





Note: Part 8 will face up with the "x" mark on it, otherwise it cannot be tightened

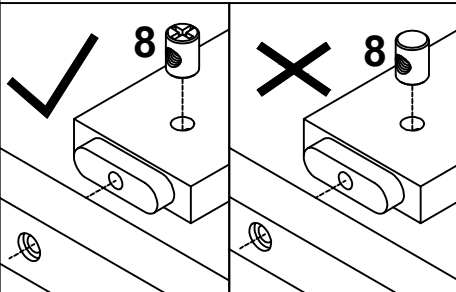
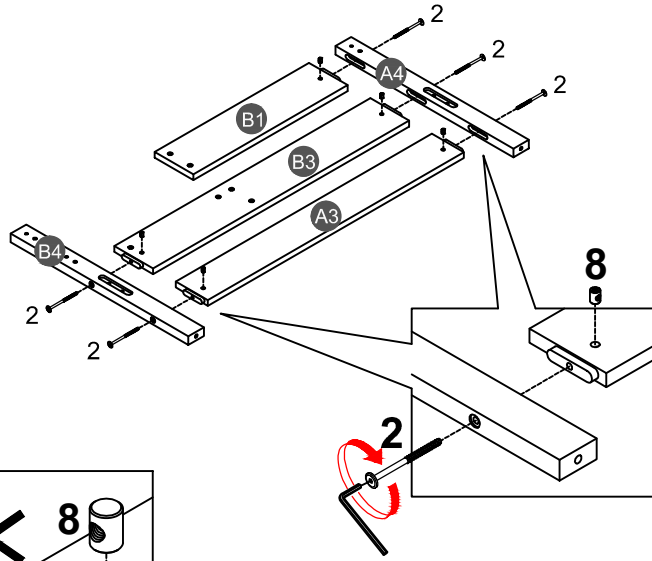
**STEP 8:**

<b>7</b>	
<b>3PCS</b>	





**STEP 9:**

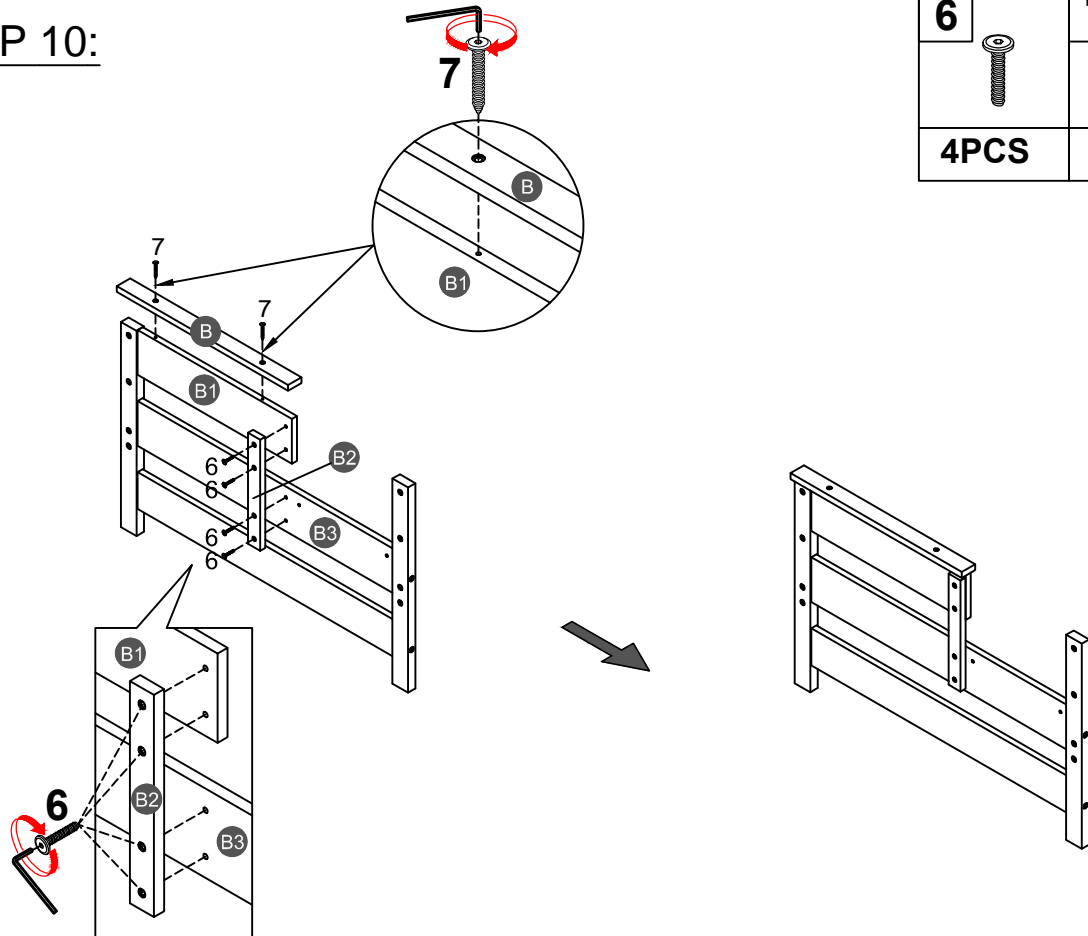
<b>2</b>		<b>8</b>	
<b>5PCS</b>		<b>5PCS</b>	






Note: Part 8 will face up with the "x" mark on it, otherwise it cannot be tightened

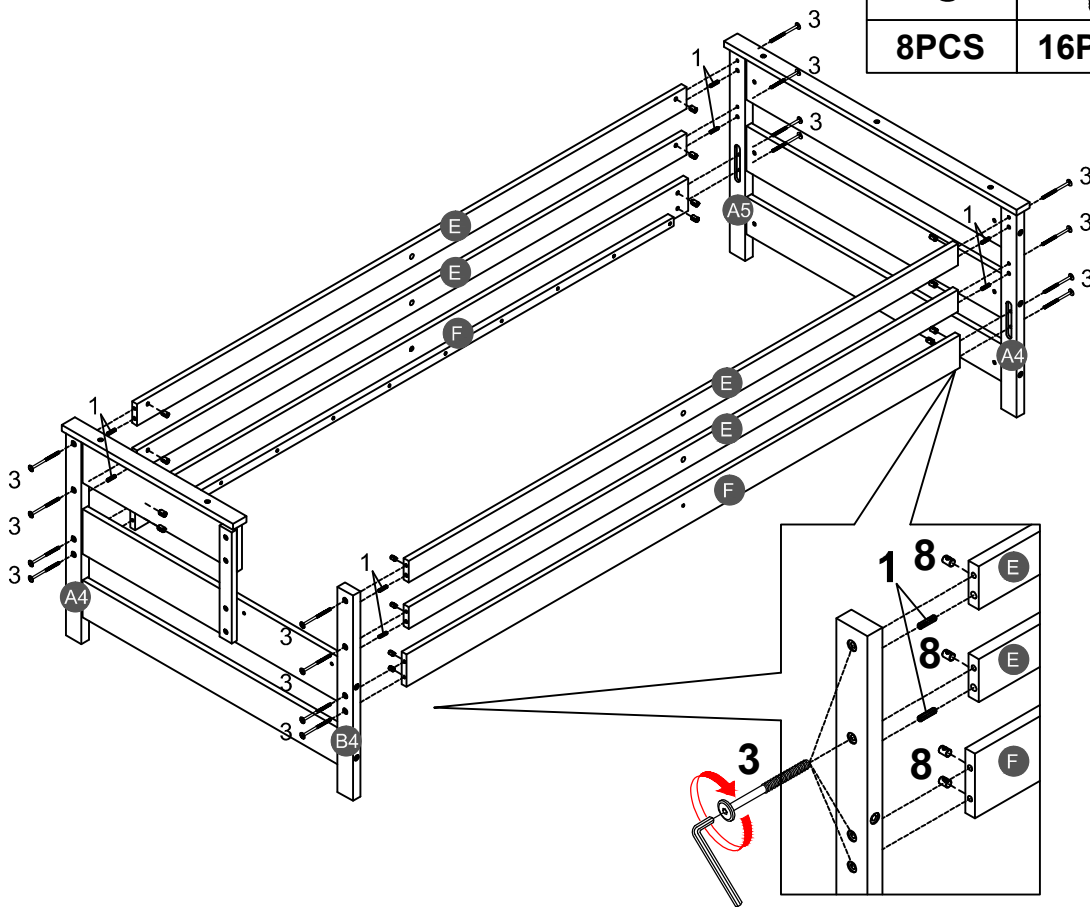
**STEP 10:**

<b>6</b>		<b>7</b>	
<b>4PCS</b>		<b>2PCS</b>	




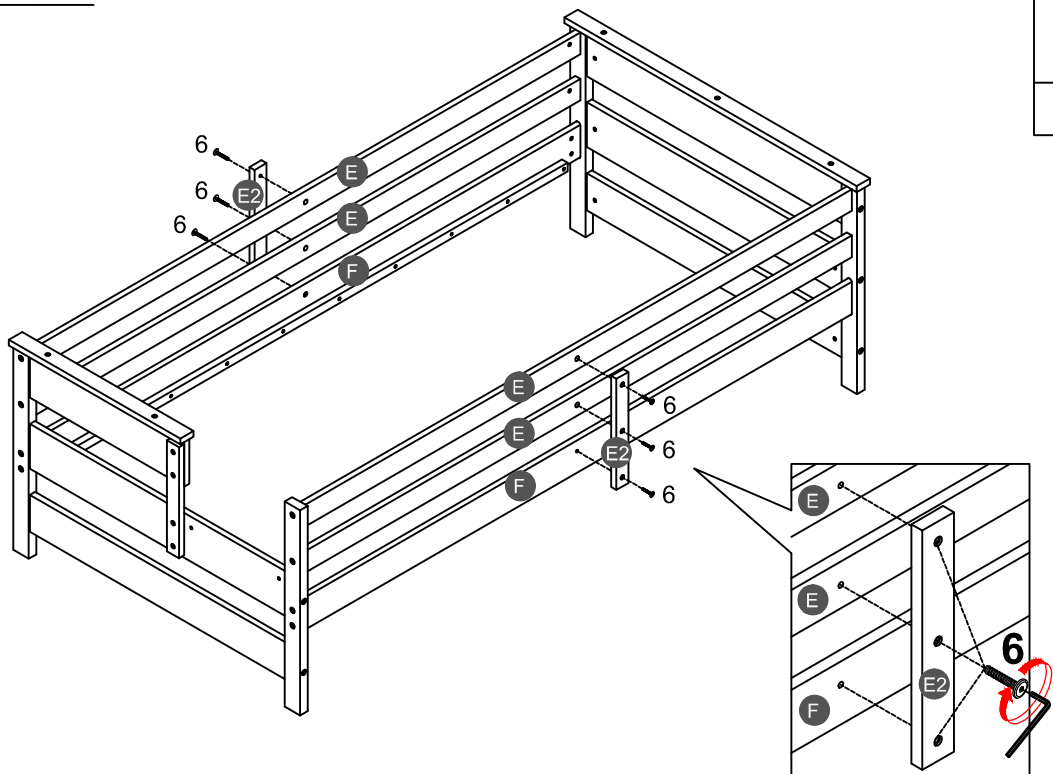
**STEP 11:**

<b>1</b>		<b>3</b>		<b>8</b>	
<b>8PCS</b>		<b>16PCS</b>		<b>16PCS</b>	



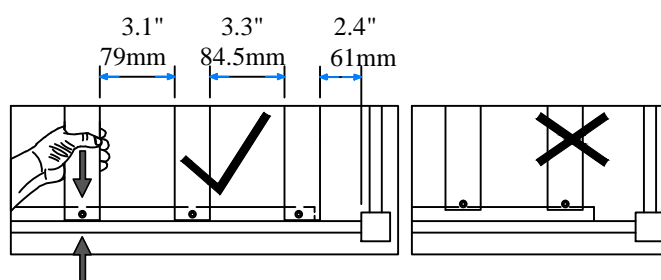
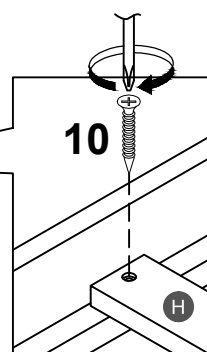
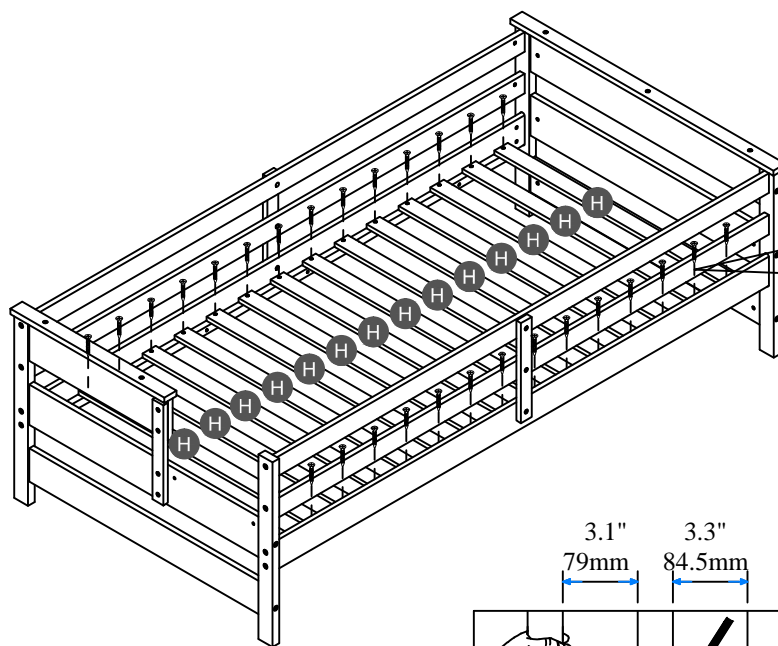
**STEP 12:**

<b>6</b>	
<b>6PCS</b>	

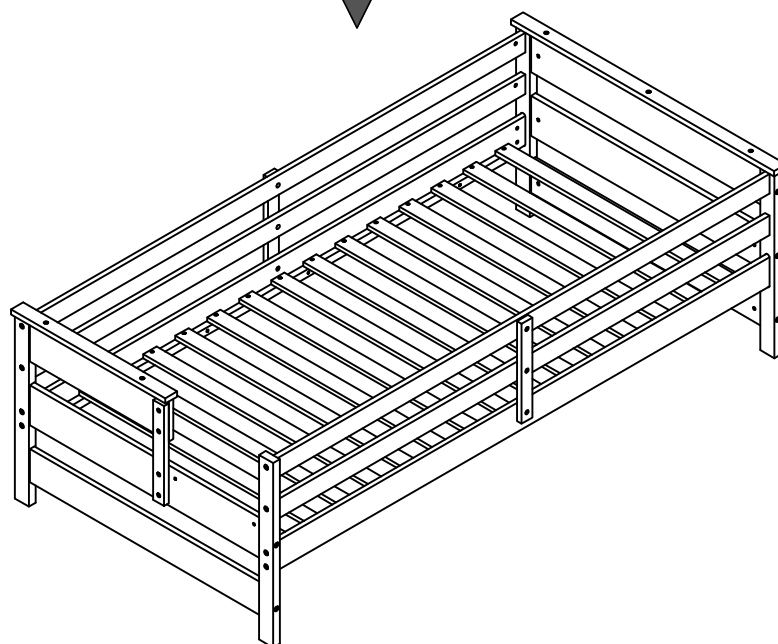


# STEP 13:


10  
28PCS

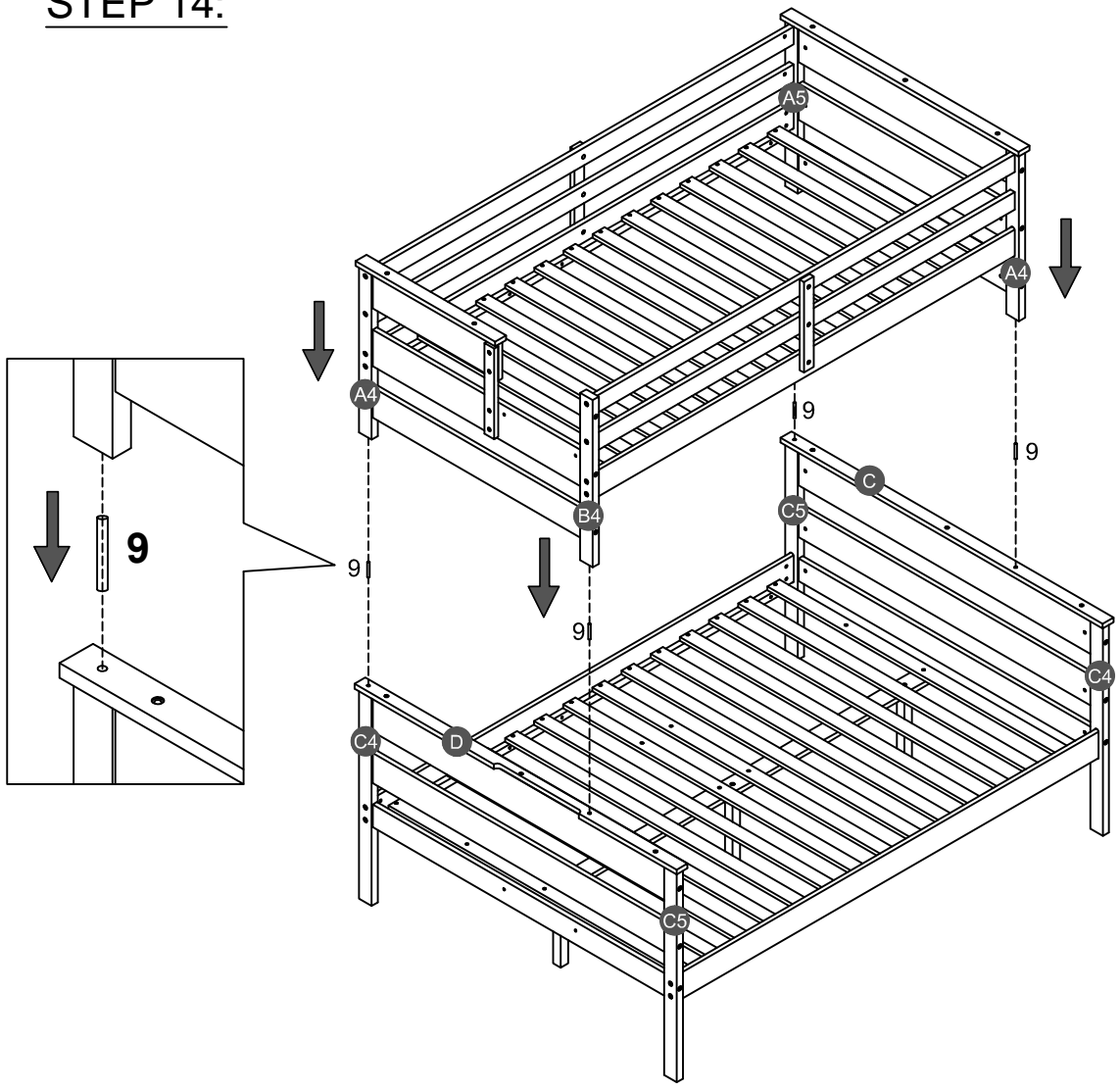


**NOTE:** Please make sure the bed slats close to the side rail before locking the screws to avoid breakage. This step is required for both the left and right sides. Moreover, please do not lock the screws of the bed slats at the outermost edge to avoid damaging.





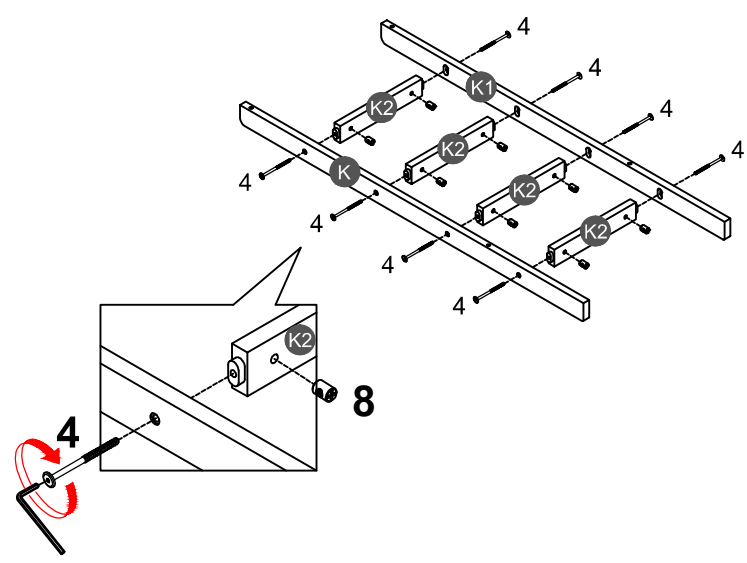
**STEP 14:**

<b>9</b>	
<b>4PCS</b>	



**STEP 15:**

<b>4</b>		<b>8</b>	
<b>8PCS</b>		<b>8PCS</b>	

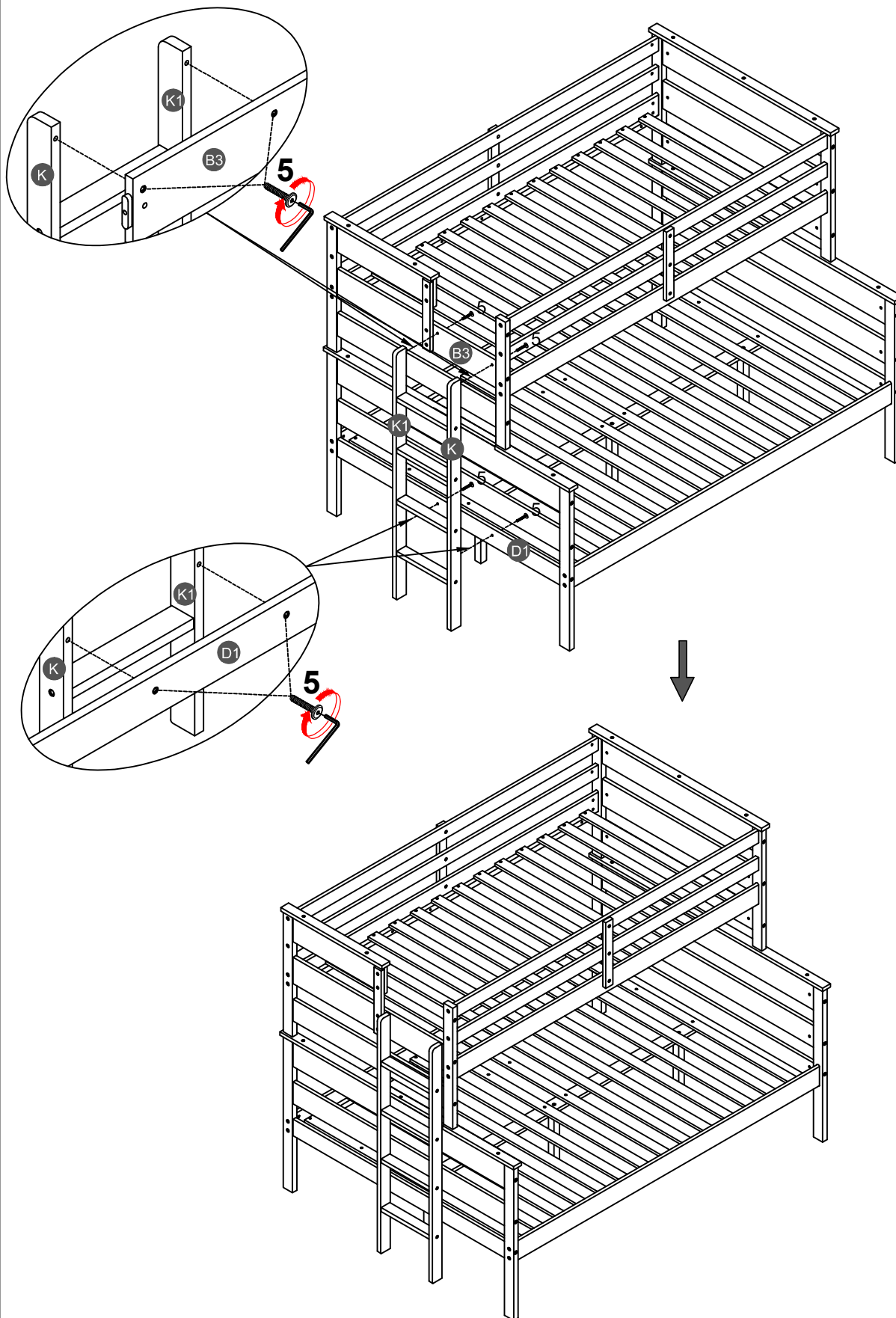


**STEP 16:**

5



4PCS



**Make sure to tighten all the screws of the bed.**