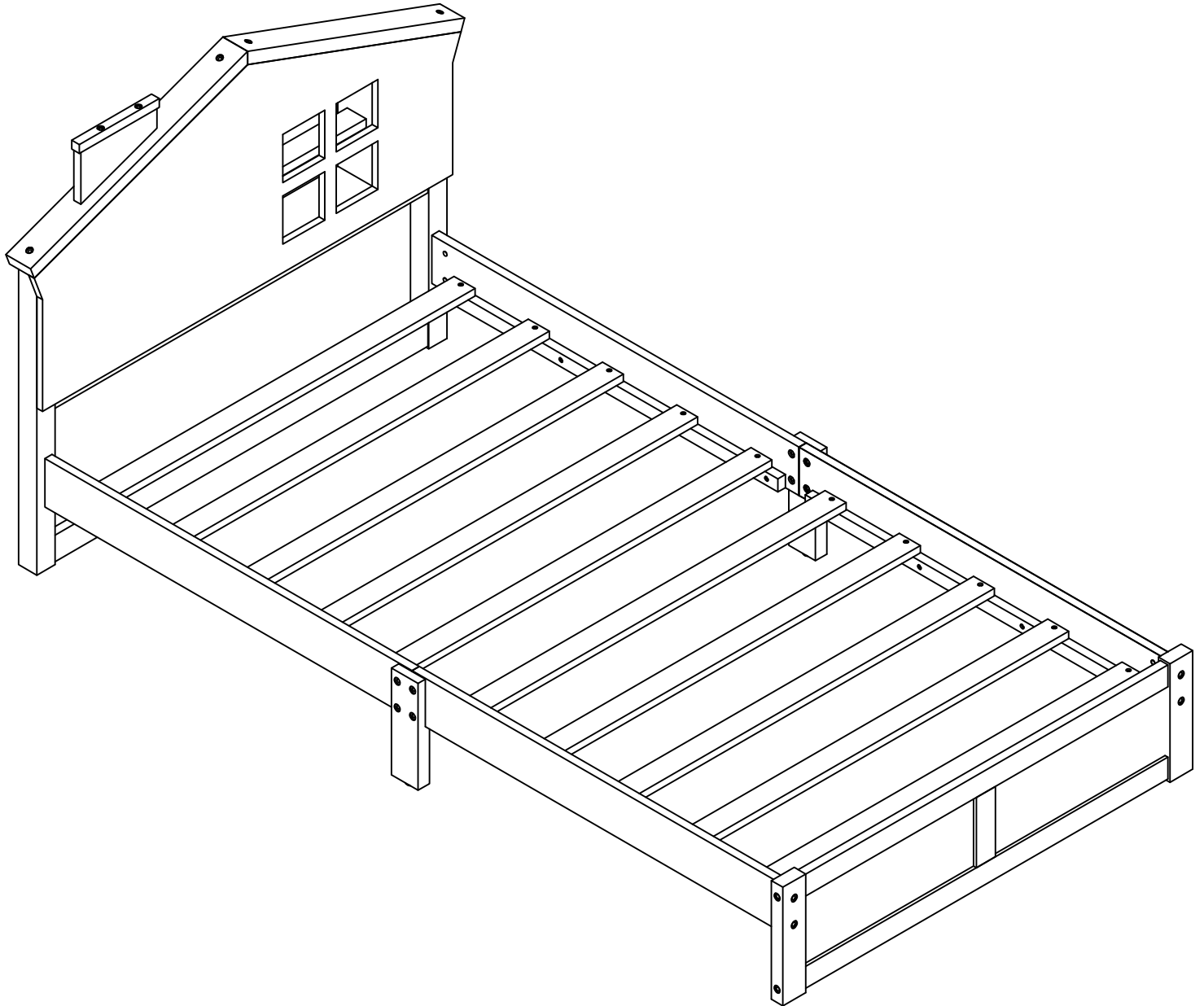
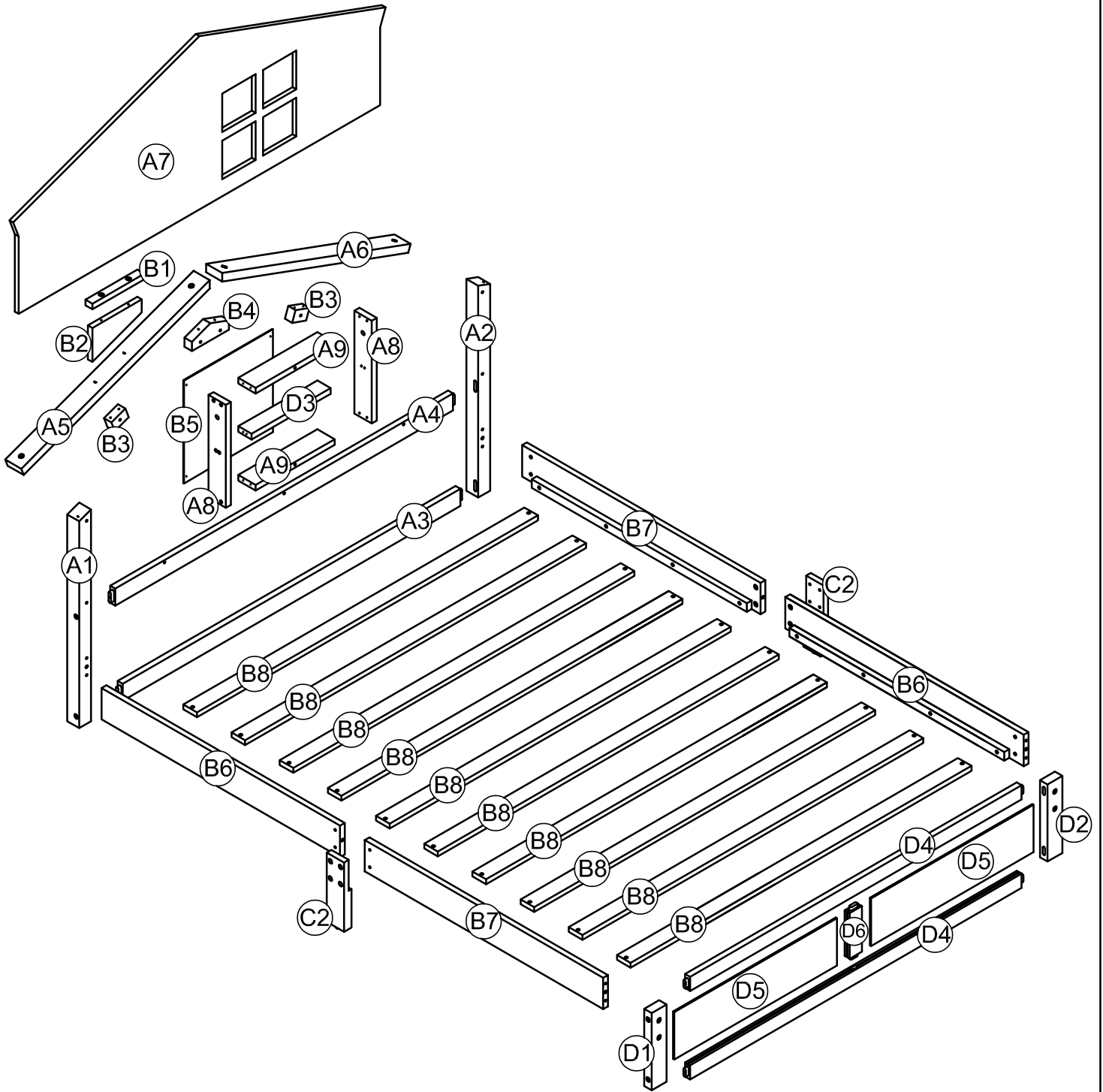


ASSEMBLY INSTRUCTION

SKU CODE: (WF314523)



ASSEMBLY INSTRUCTION



Part List (WF314523)

A1



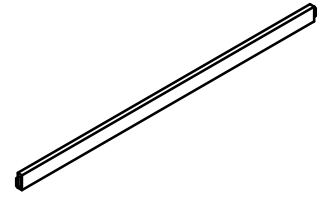
Leg- 1pc

A2



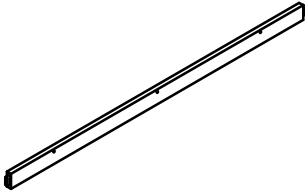
Leg- 1pc

A3



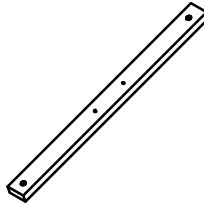
WoodBar-1pc

A4



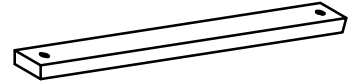
WoodBar-1pc

A5



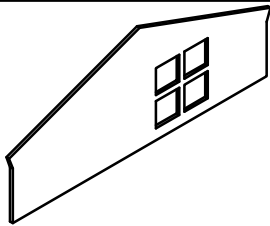
WoodBar-1pc

A6



WoodBar-1pc

A7



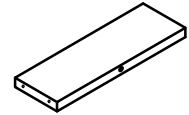
Panel-1pc

A8



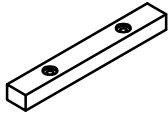
WoodBar-2pcs

A9



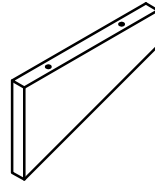
WoodBar-2pcs

B1



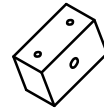
WoodBar-1pc

B2



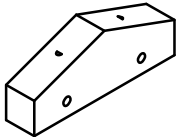
Panel-1pc

B3



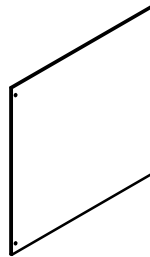
WoodBar-2pcs

B4



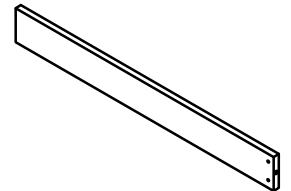
WoodBar-1pc

B5



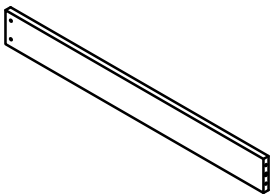
Panel-1pc

B6



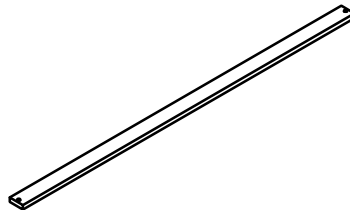
Side Rail-2pcs

B7



Side Rail-2pcs

B8



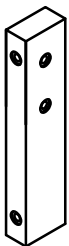
Slats-10pcs

C2



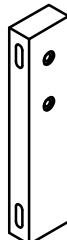
Support Siderail-2pcs

D1



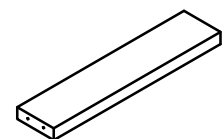
Leg- 1pc

D2



Leg- 1pc

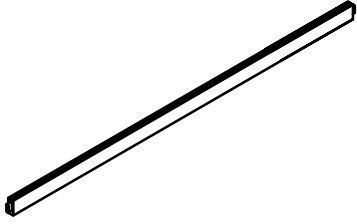
D3



WoodBar-1pc

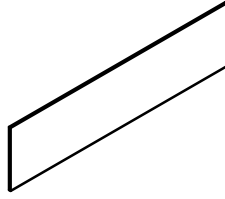
Part List (WF314523)

D4



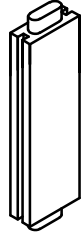
WoodBar-2pcs

D5



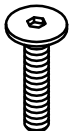


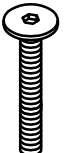


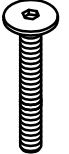


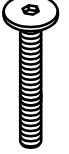
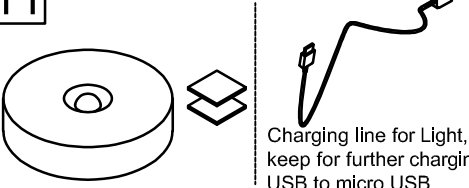
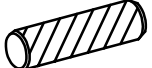

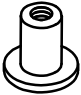


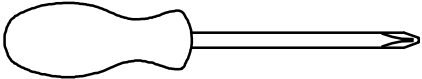
Panel-2pcs

D6

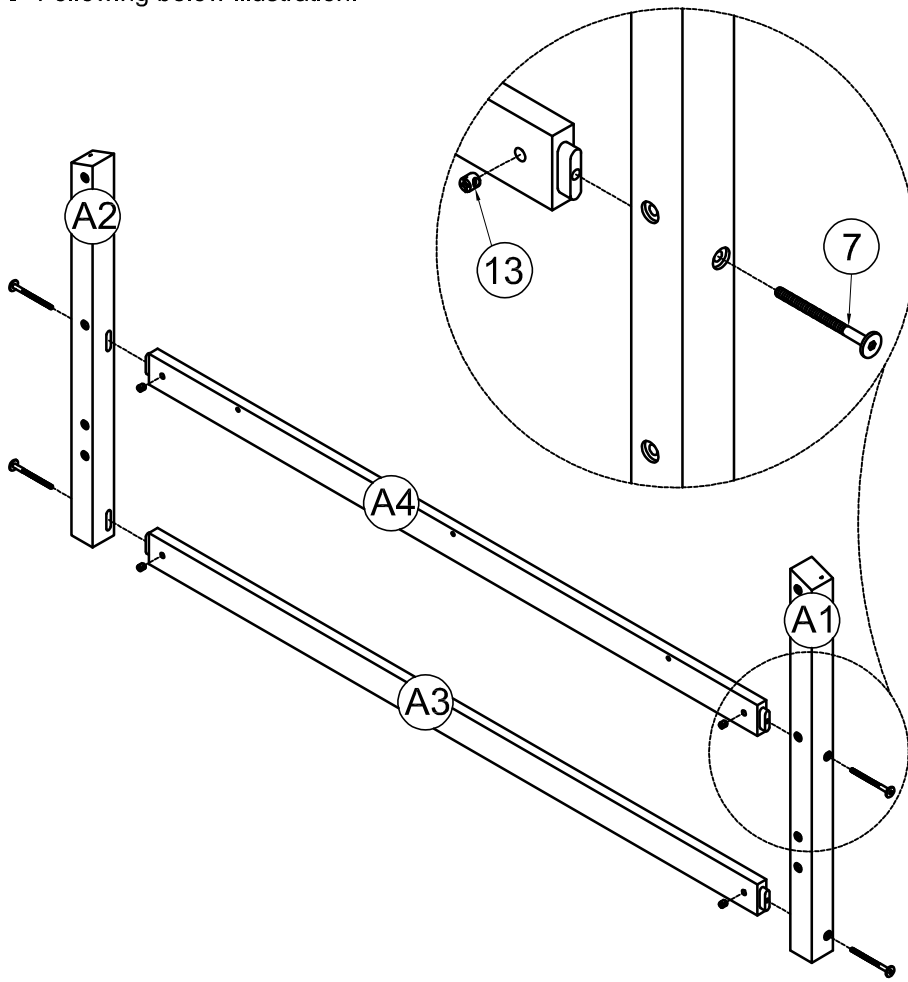


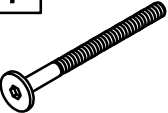

WoodBar-1pc

Hardware List (WF314523)

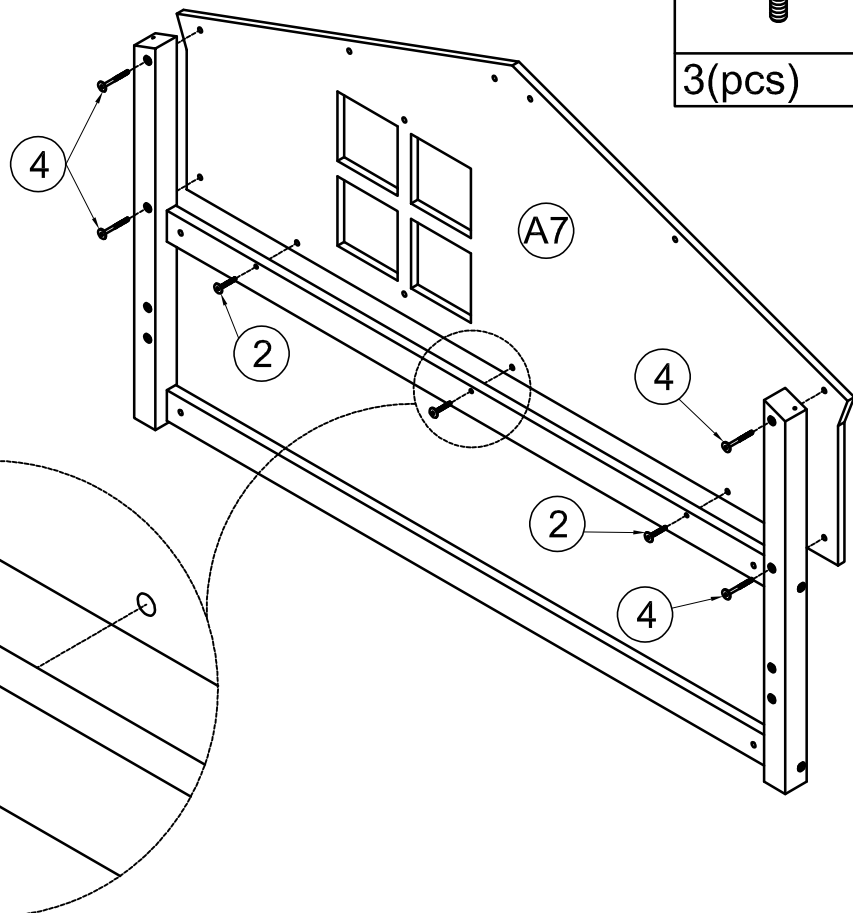
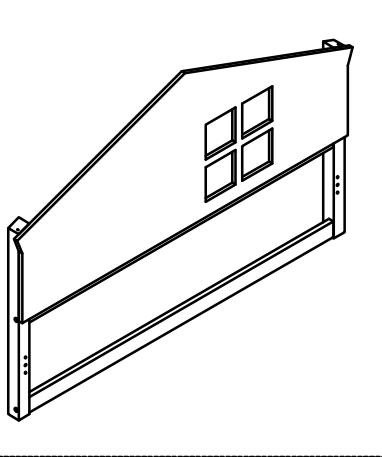
<p>1</p>  <p>Ø1/4" x 25 mm Hex-Head bolts 8pcs</p>	<p>2</p>  <p>Ø1/4" x 30 mm Hex-Head bolts 3pcs</p>	<p>3</p>  <p>Ø1/4" x 40 mm Hex-Head bolts 4pcs</p>
<p>4</p>  <p>Ø1/4" x 50 mm Hex-Head bolts 4pcs</p>	<p>5</p>  <p>M4 x 15 mm Wood Screws 6pcs</p>	<p>6</p>  <p>M4 x 50 mm Wood Screws 4pcs</p>
<p>7</p>  <p>Ø1/4" x 100 mm Hex-Head bolts 14pcs</p>	<p>8</p>  <p>Screws 1/4" x40 2pcs</p>	<p>9</p>  <p>Screws 1/4" x60 6pcs</p>
<p>10</p>  <p>Ø1/4" x 80 mm Hex-Head bolts 4pcs</p>	<p>11</p>  <p>Led Light 1pc Charging line for Light, keep for further charging, USB to micro USB</p>	<p>12</p>  <p>Ø10 x 40 mm Wood dowel 6pcs</p>
<p>13</p>  <p>Ø1/4" x 13 mm Horizontal-Hole bolts 8pcs</p>	<p>14</p>  <p>Ø1/4" x 15 mm Canopy head through -8pcs</p>	<p>15</p>  <p>Allen Key 1pc</p>
<p>16</p>  <p>M4 x 30 mm Wood Screws 42pcs</p>	 <p>Assembly Tools Required (Not Included)</p>	


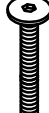
STEP1: Following below illustration.



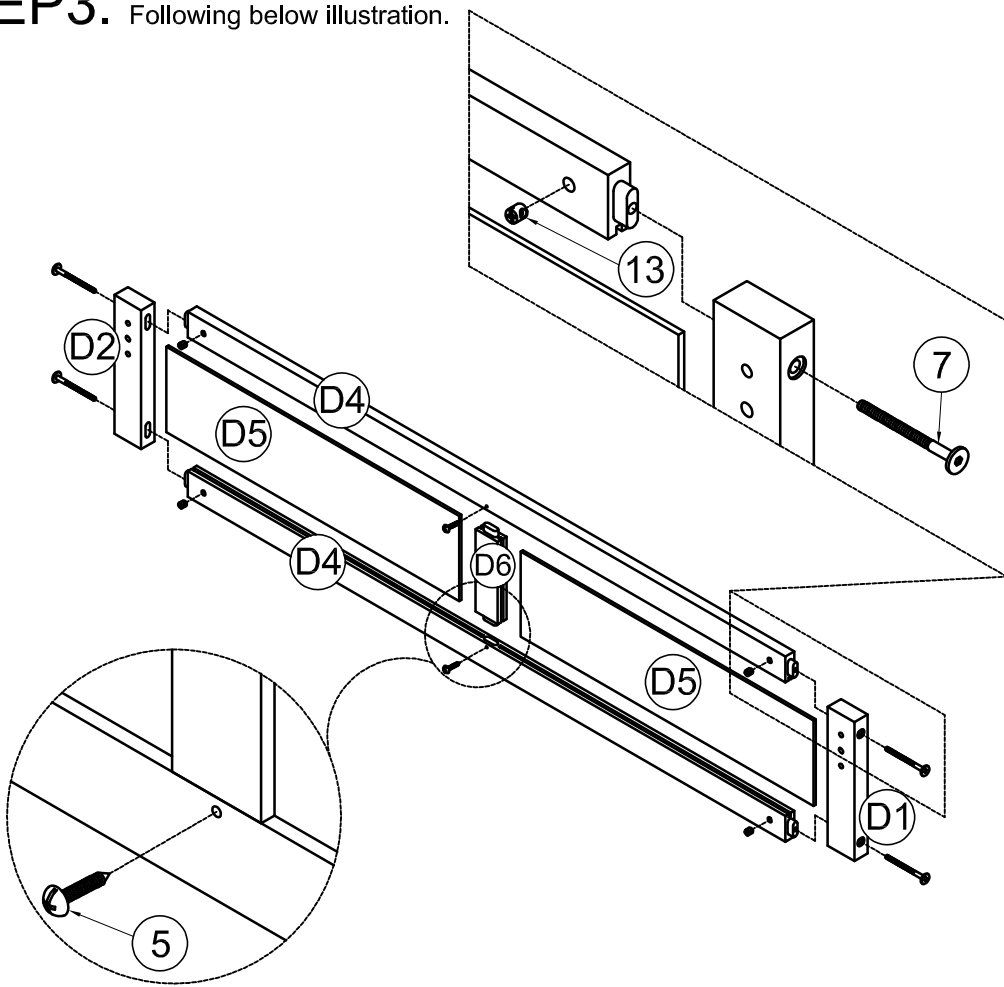
7	
4(pcs)	
13	
4(pcs)	

STEP2: Following below illustration.

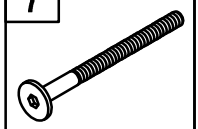


2		4	
3(pcs)		4(pcs)	

STEP3: Following below illustration.



7



4(pcs)

13

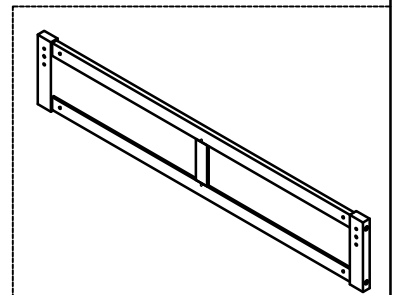


4(pcs)

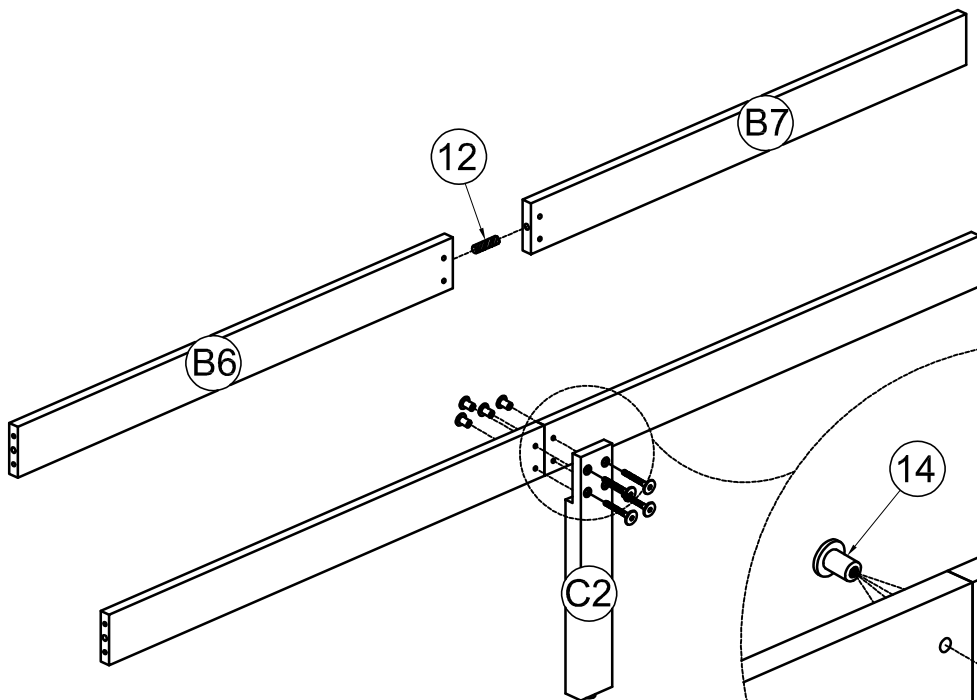
5



2(pcs)



STEP4: Following below illustration.



1



4(pcs)

14

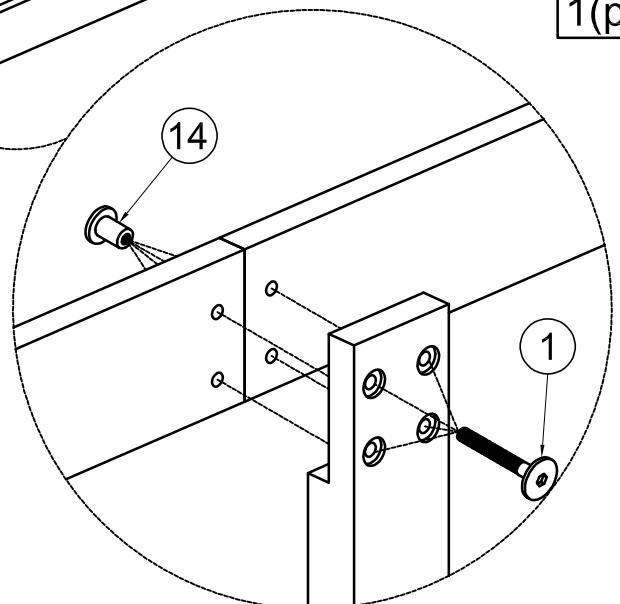
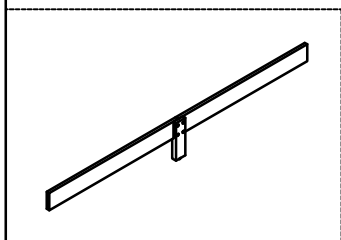


4(pcs)

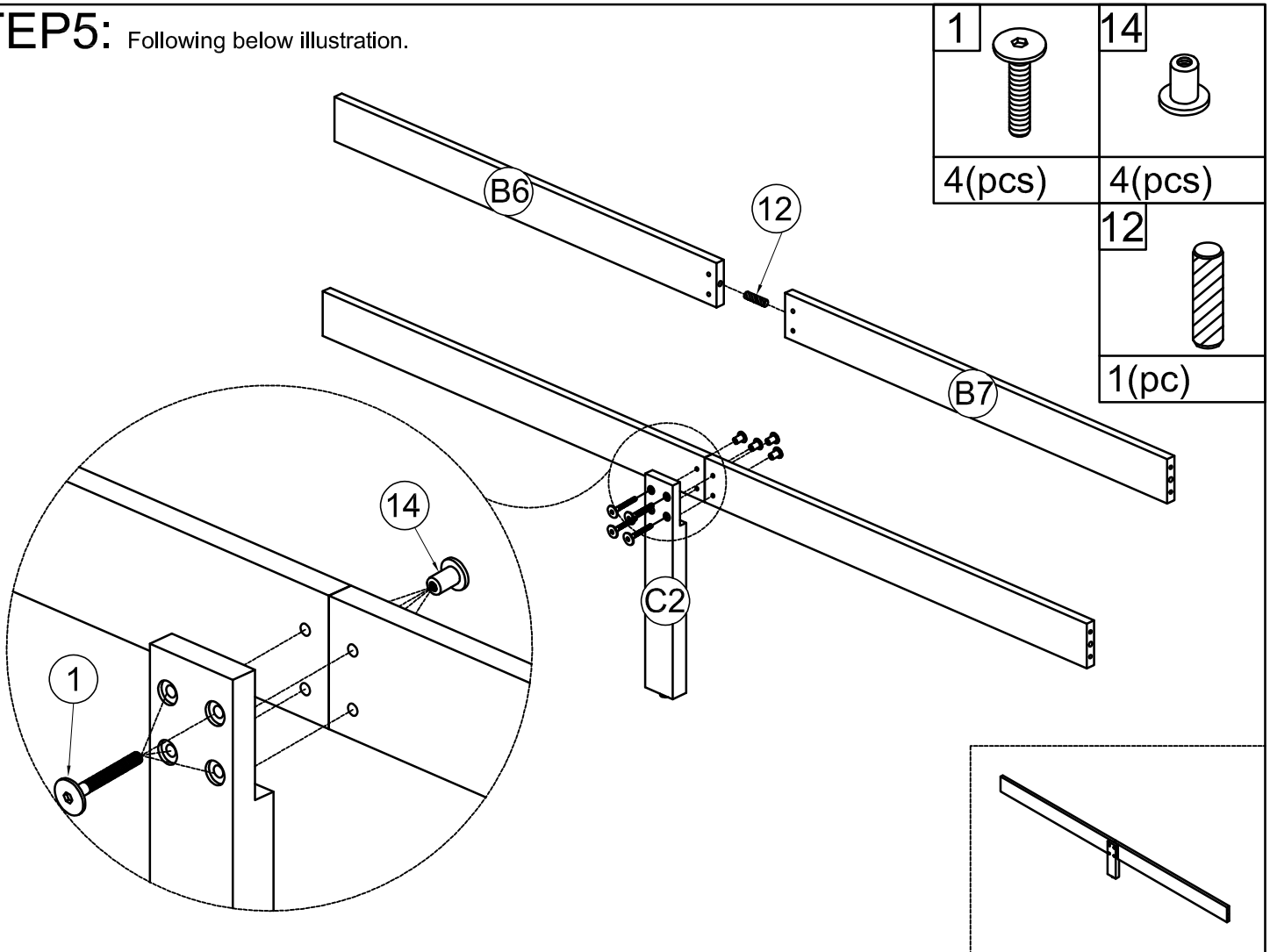
12



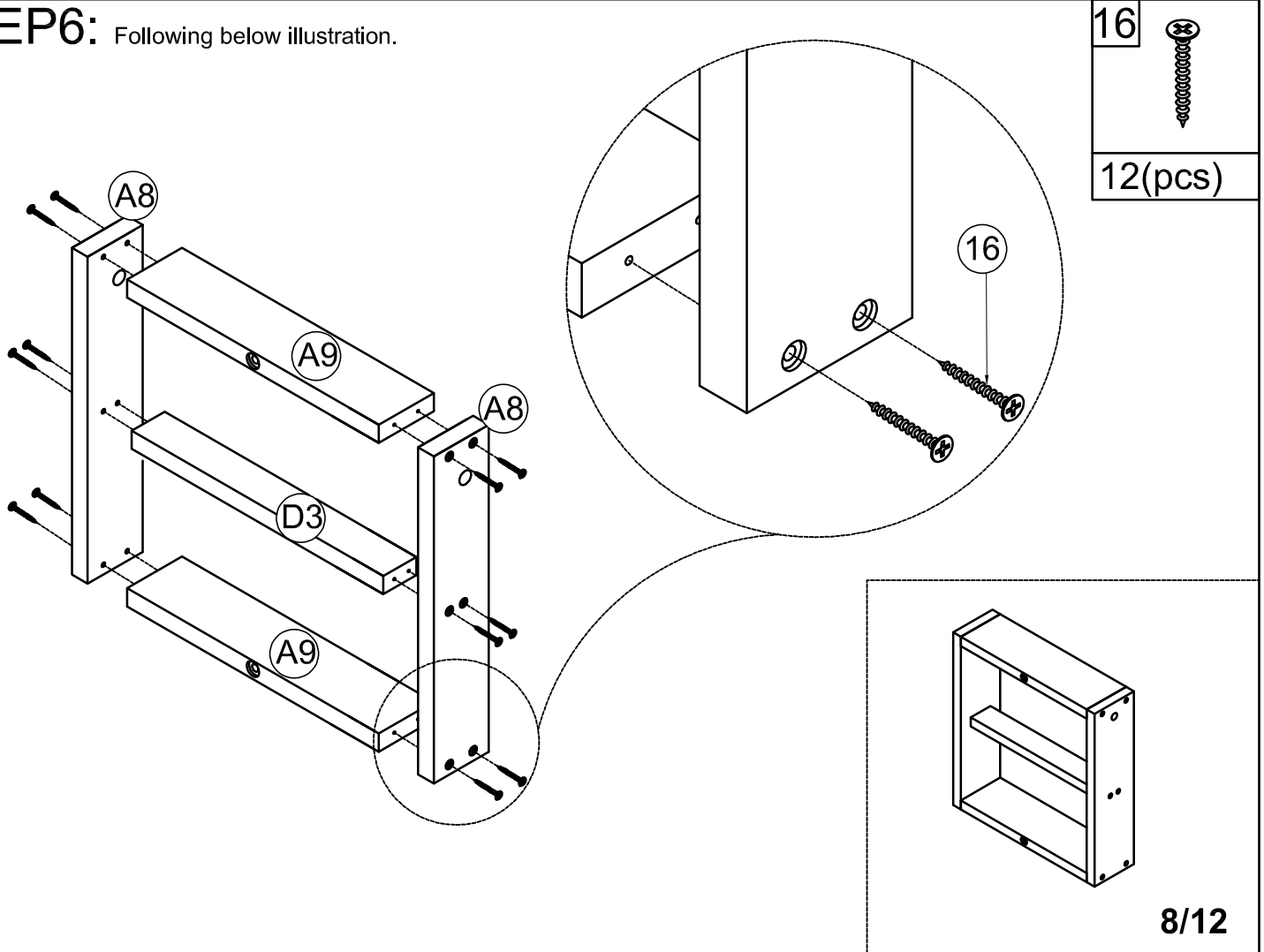
1(pc)



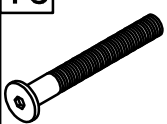

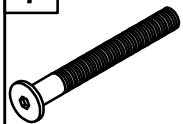
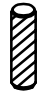
STEP5: Following below illustration.

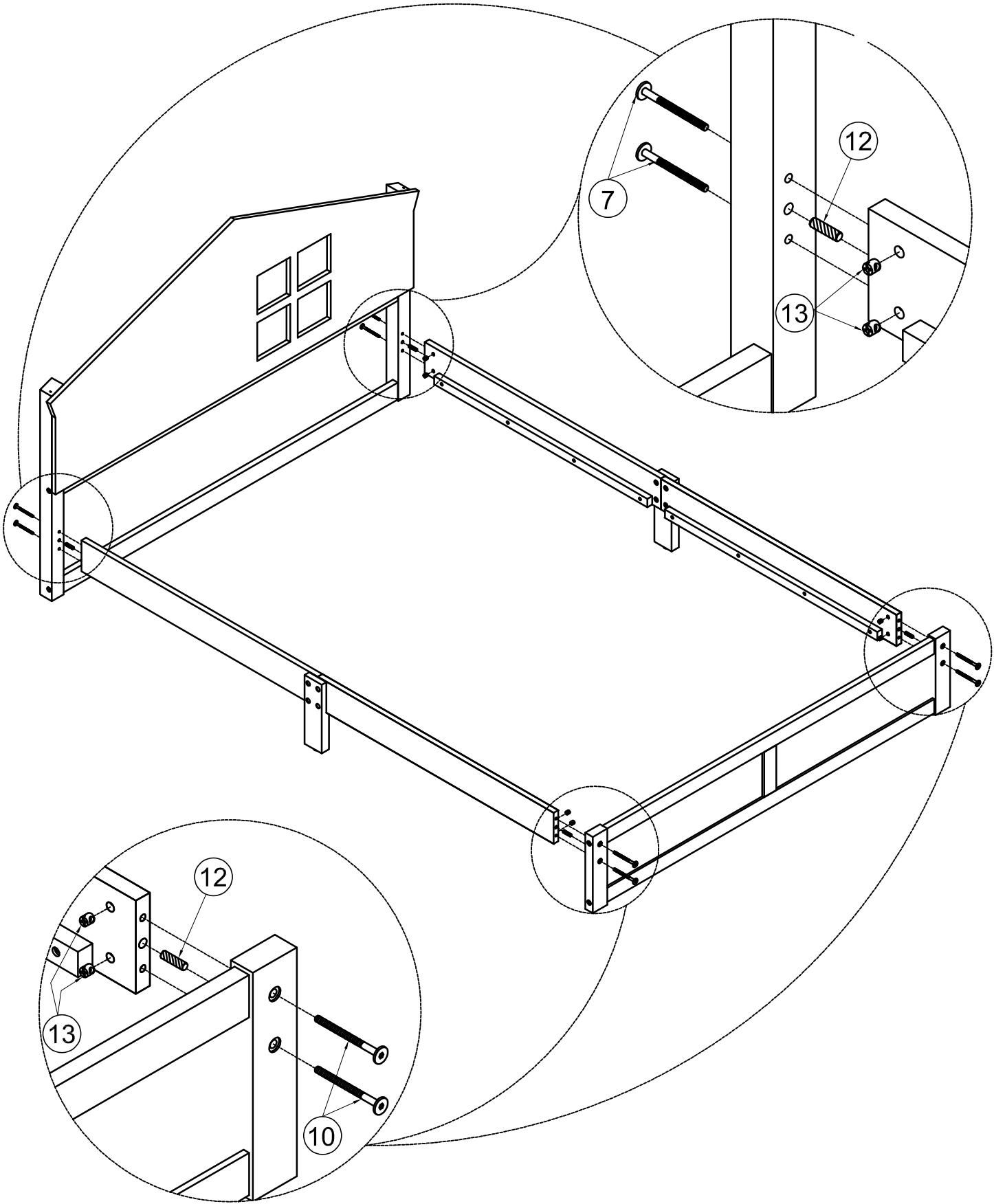


STEP6: Following below illustration.

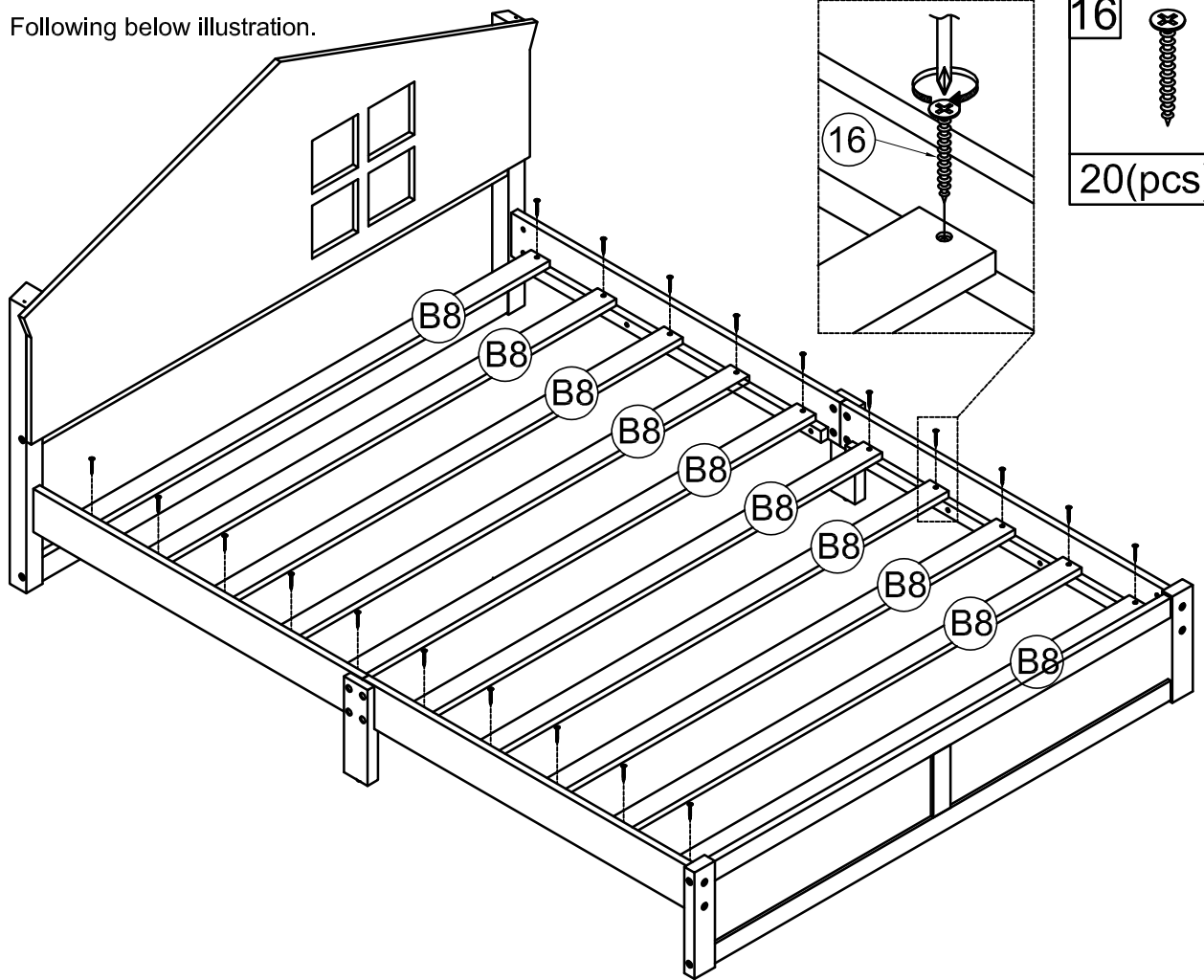


STEP7: Following below illustration.

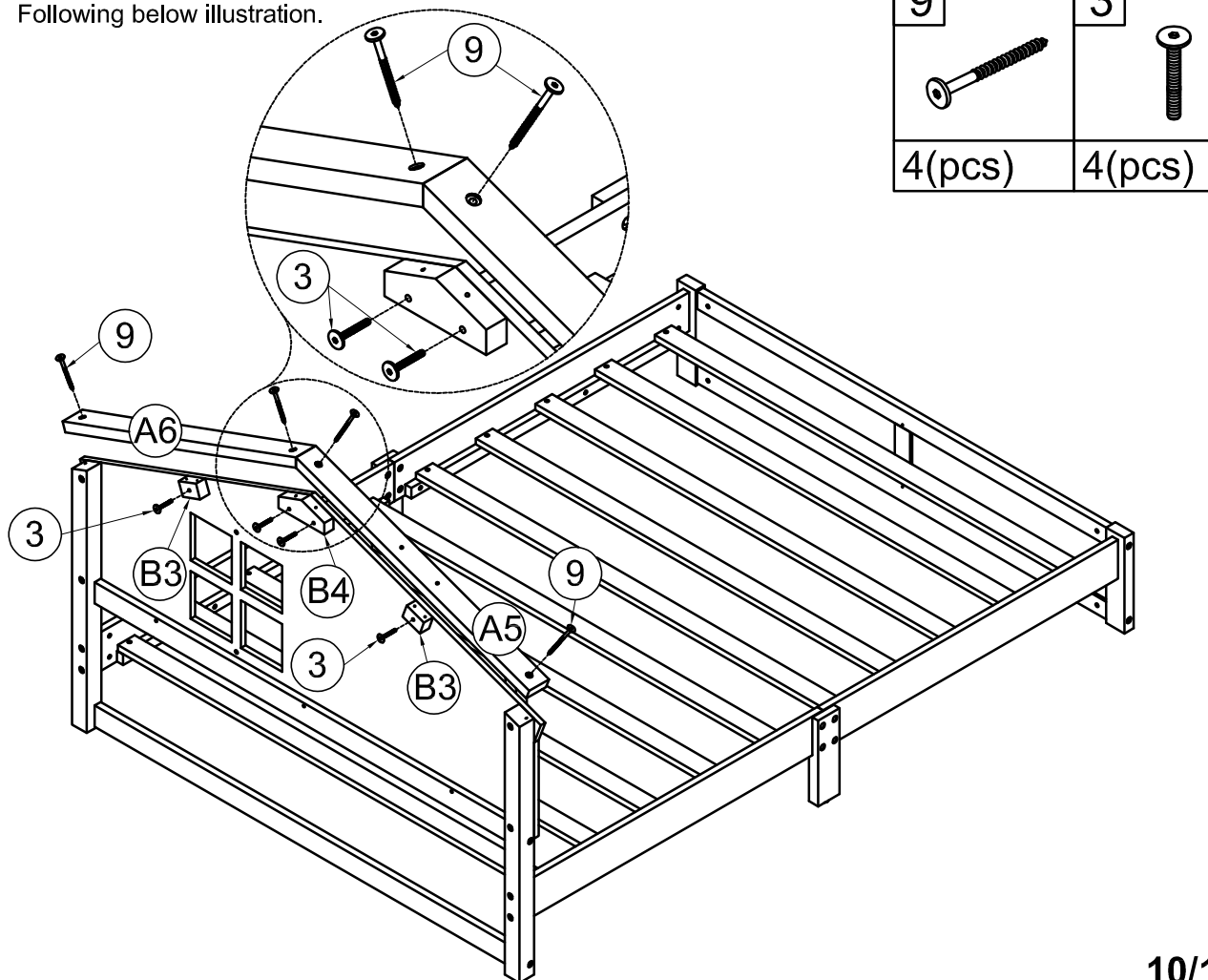
10	13	7	12
			
4(pcs)	8(pcs)	4(pcs)	4(pcs)



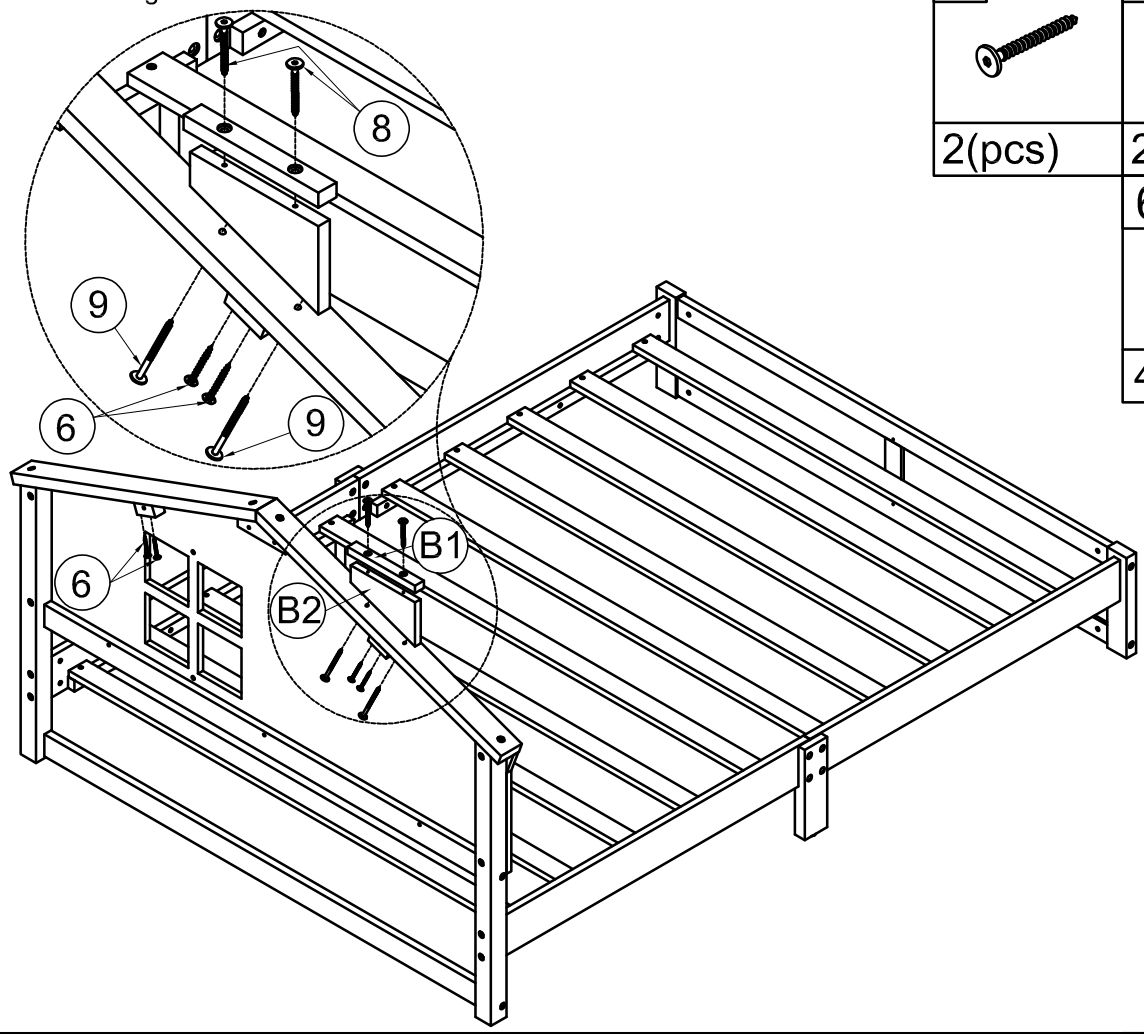
STEP8: Following below illustration.






STEP9: Following below illustration.

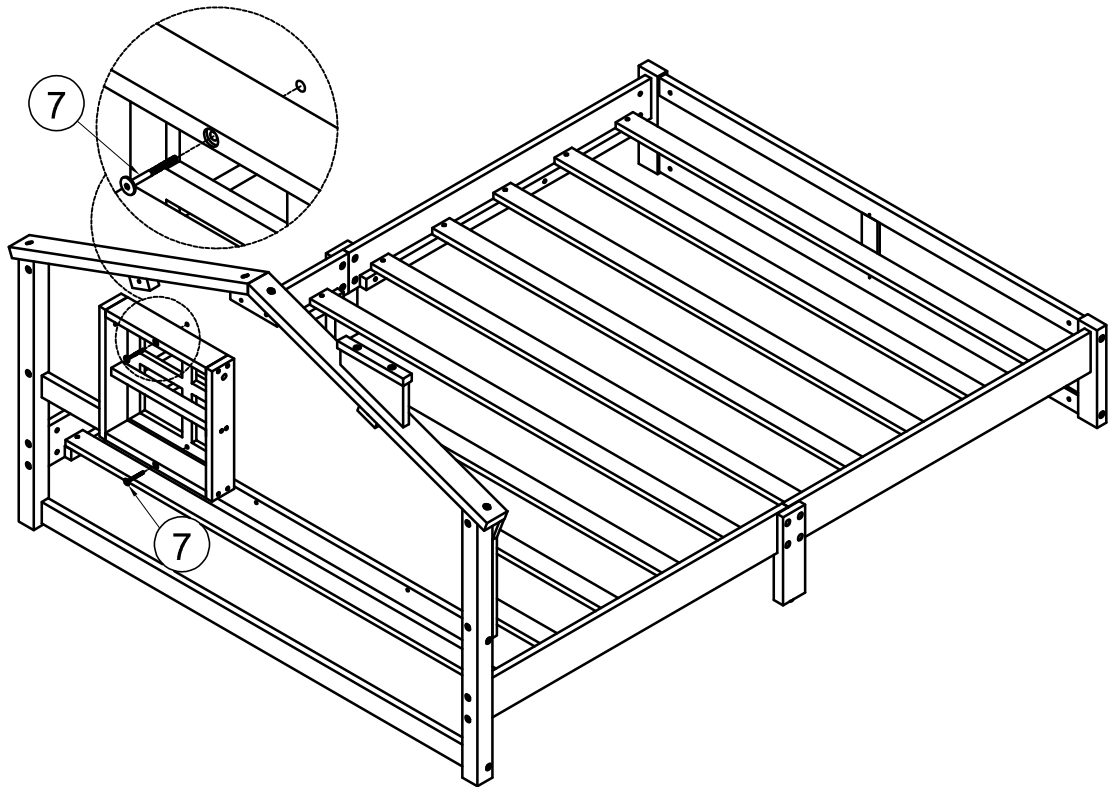


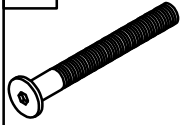
STEP10: Following below illustration.



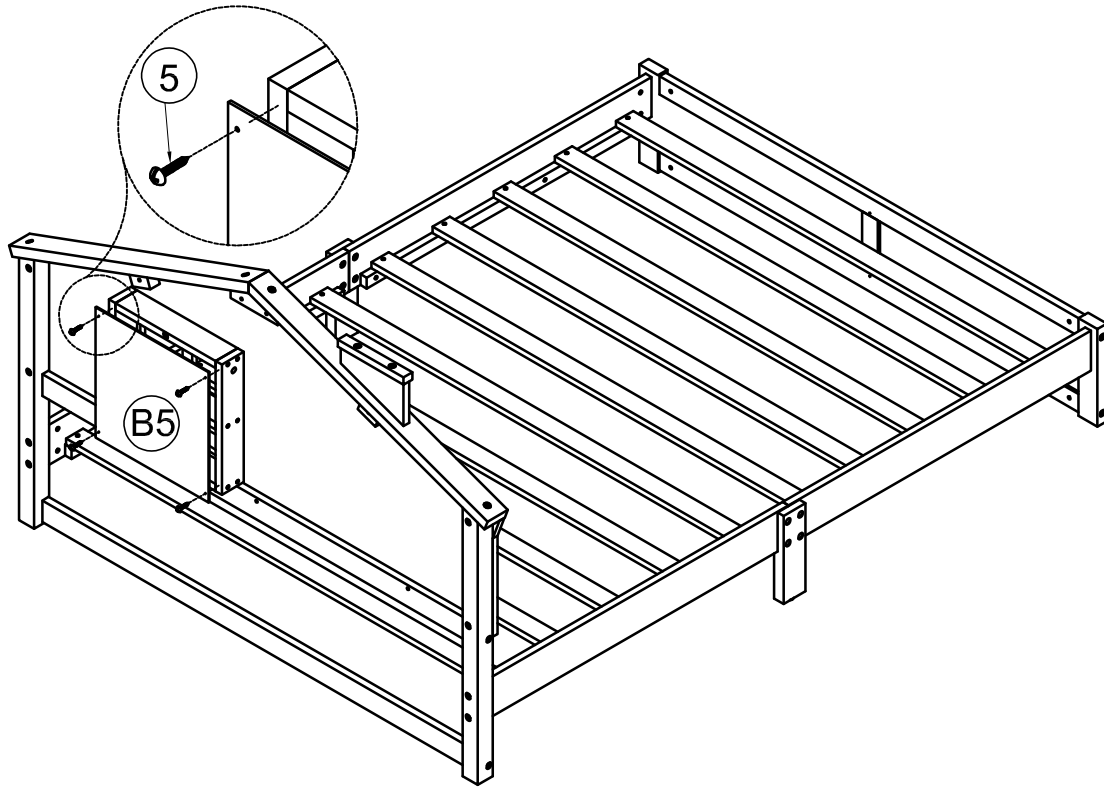
8	9
	
2(pcs)	2(pcs)
	6
	
	4(pcs)

STEP11: Following below illustration.



7

2(pcs)

STEP12: Following below illustration.

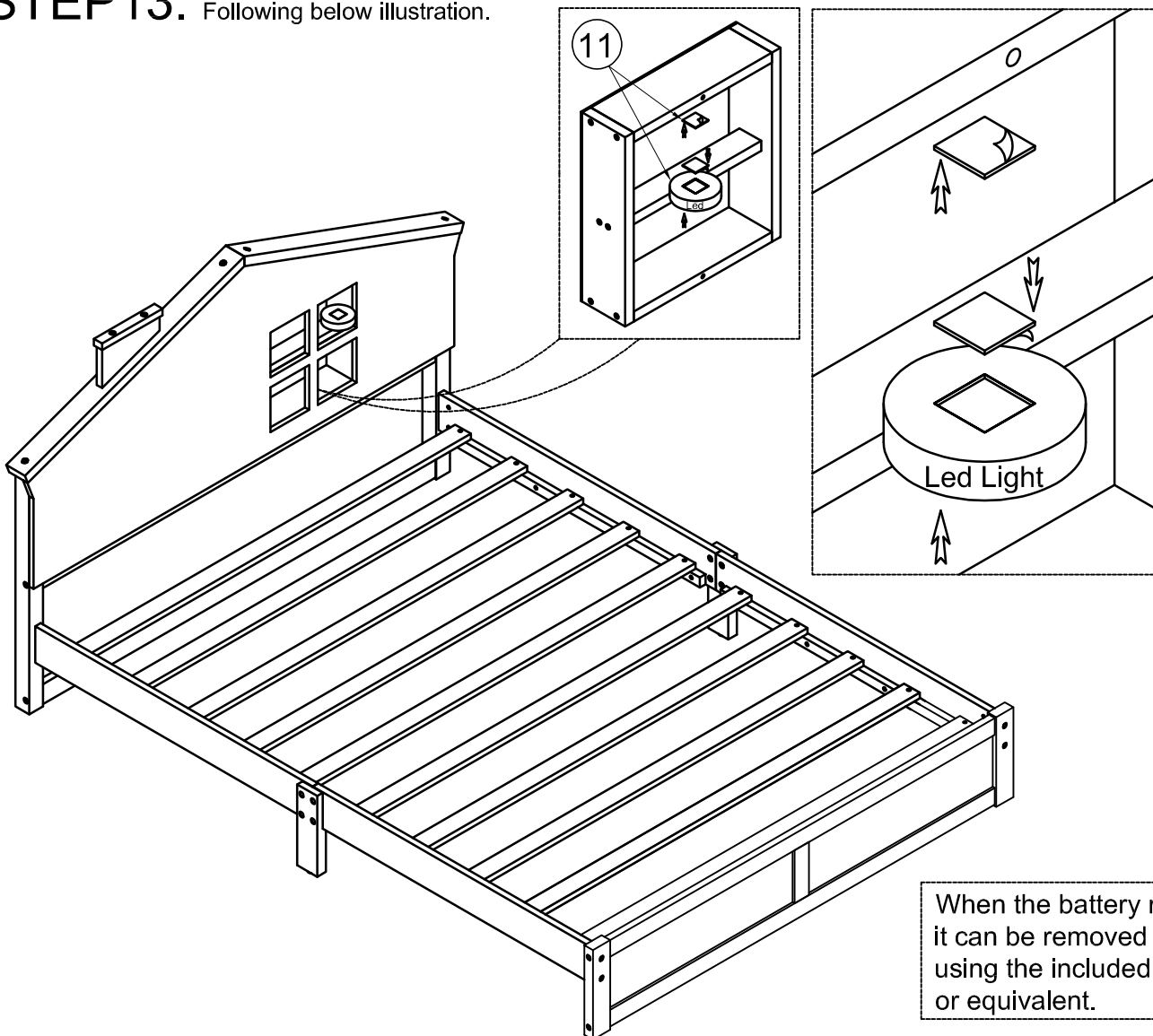


5

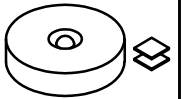


4(pcs)

STEP13: Following below illustration.



11



1(pc)

Led Light

When the battery runs out, it can be removed and charged using the included charging cord or equivalent.