

ASSEMBLY INSTRUCTIONS



WF309876/309877

SAFETY WARNINGS AND GENERAL NOTES:

1. Follow the information on the warnings on the upper bunk bed end structure and on the carton. Do not remove the warning label from the bed.
2. Always use the recommended size mattress or mattress support, or both, to help prevent the likelihood of entrapment or falls.
3. Do not allow children under 6 years of age to use the upper bunk.
4. Periodically check and ensure the guardrail, ladder and other components are in their proper position, free from damage, and all connectors are tight.
5. Do not allow horseplay on or under beds.
6. Always prohibit jumping on the bed.
7. Prohibit more than one person on upper bunk.
8. Always use the ladder for entering and leaving the upper bunk.
9. Do not use substitute parts. Contact the manufacturer or dealer for replacement parts.
10. Use of a night light may provide added safety precaution for a child using the upper bunk.
11. Always use guardrails on both long sides of the upper bunk.
12. If the bunk bed will be placed next to a wall, the guardrail that runs the full length of the bed should be placed against the wall to prevent entrapment between the bed and the wall. The use of water or sleep flotation mattresses is prohibited.
13. **STRANGULATION HAZARD**-Never attach or hang items to any part of the bunk bed that are not designed for use with the bed; for example, but not limited to, hooks, belts and jump ropes.
14. Keep these instructions for future reference.
15. We recommend assembling your bunk bed on the shipping carton to protect your floor or carpet.
16. Be certain all staples are out of the box before beginning assembly on the shipping carton.
17. **USE ONLY MATTRESSES WHICH ARE AS THE TABLE BELOW ON UPPER AND ON LOWER BUNKS.**

Lower bed

Bed type	Length	Width	Thickness
Twin Standard	80"	38-1/2"	6"

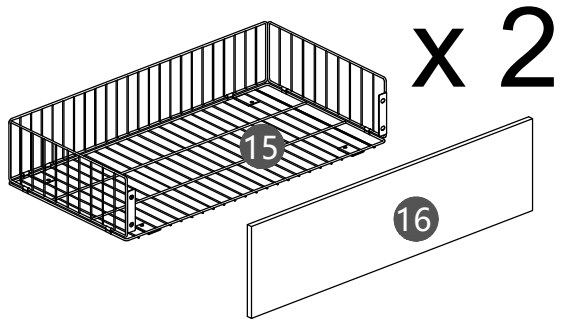
Upper bed(bunk bed and tribed included)

Bed type	Length	Width	Thickness
Twin Standard	80"	38-1/2"	6" max

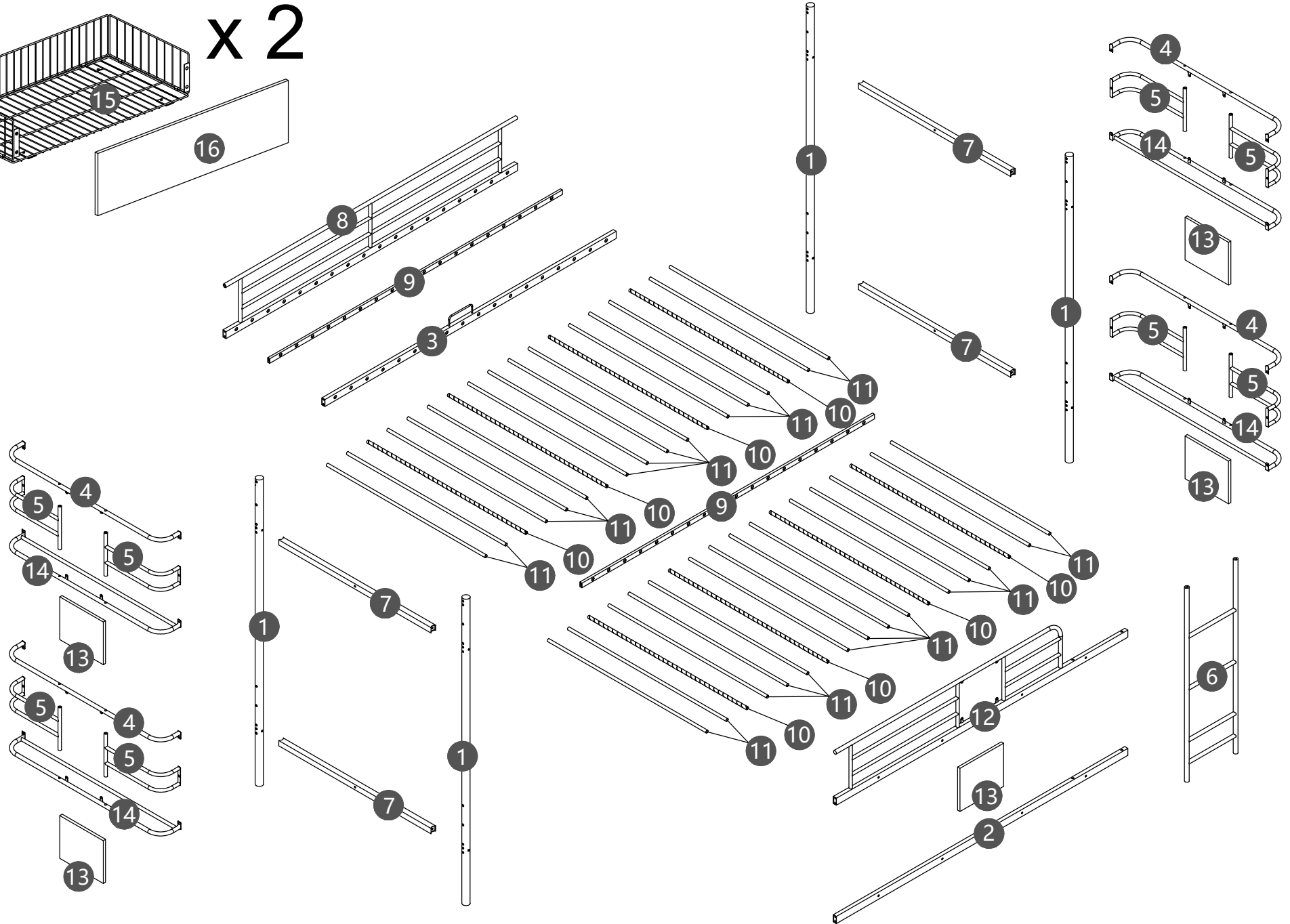
18. **SURFACE OF MATTRESS MUST BE AT LEAST 5" (127MM) BELOW THE UPPER EDGE OF GUARDRAILS.**

19. Replacement Parts:

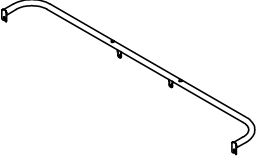
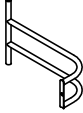
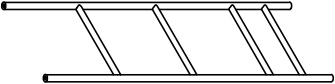
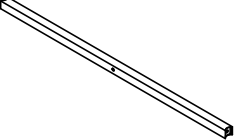
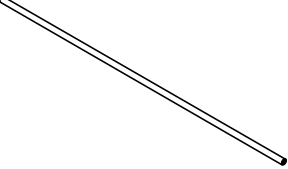
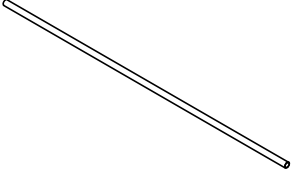
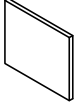
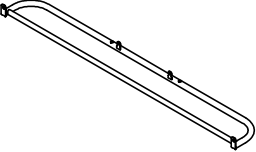
Replacement Parts, including additional guardrails, may be obtained from any of our (GIGACLOUD TECHNOLOGY (USA) INC) dealers.



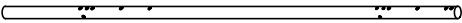
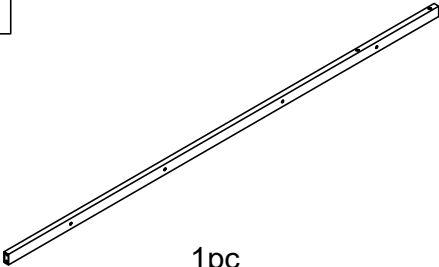
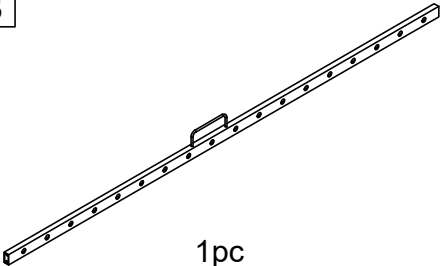
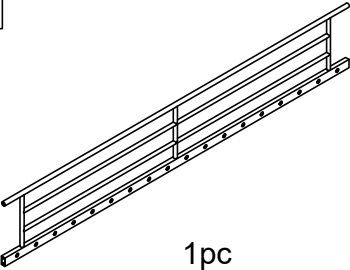
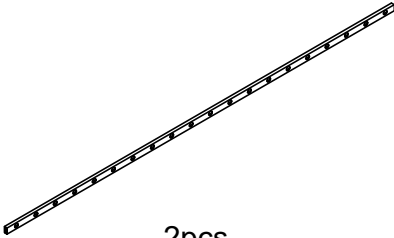
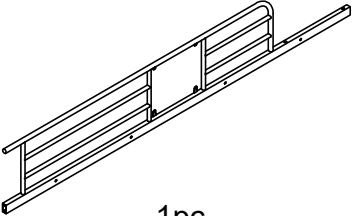
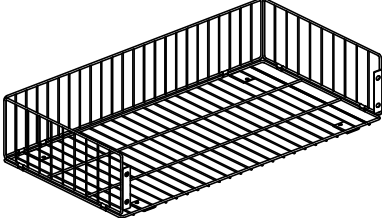
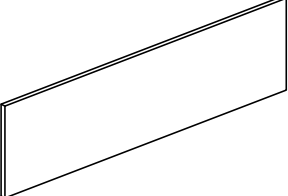
x 2



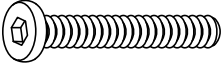
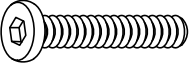
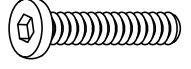

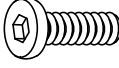
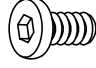


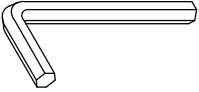
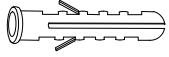
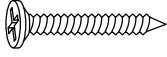

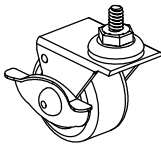
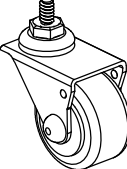
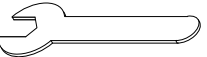
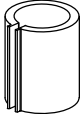
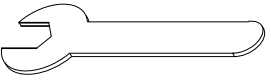
Parts List for WF309876

<p>4</p>  <p>4pcs</p>	<p>5</p>  <p>8pcs</p>	<p>6</p>  <p>1pc</p>
<p>7</p>  <p>4pcs</p>	<p>10</p>  <p>8pcs</p>	<p>11</p>  <p>28pcs</p>
<p>13</p>  <p>5pcs</p>	<p>14</p>  <p>4pcs</p>	


Parts List for WF309877

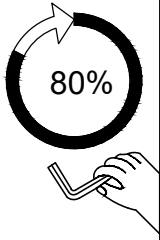
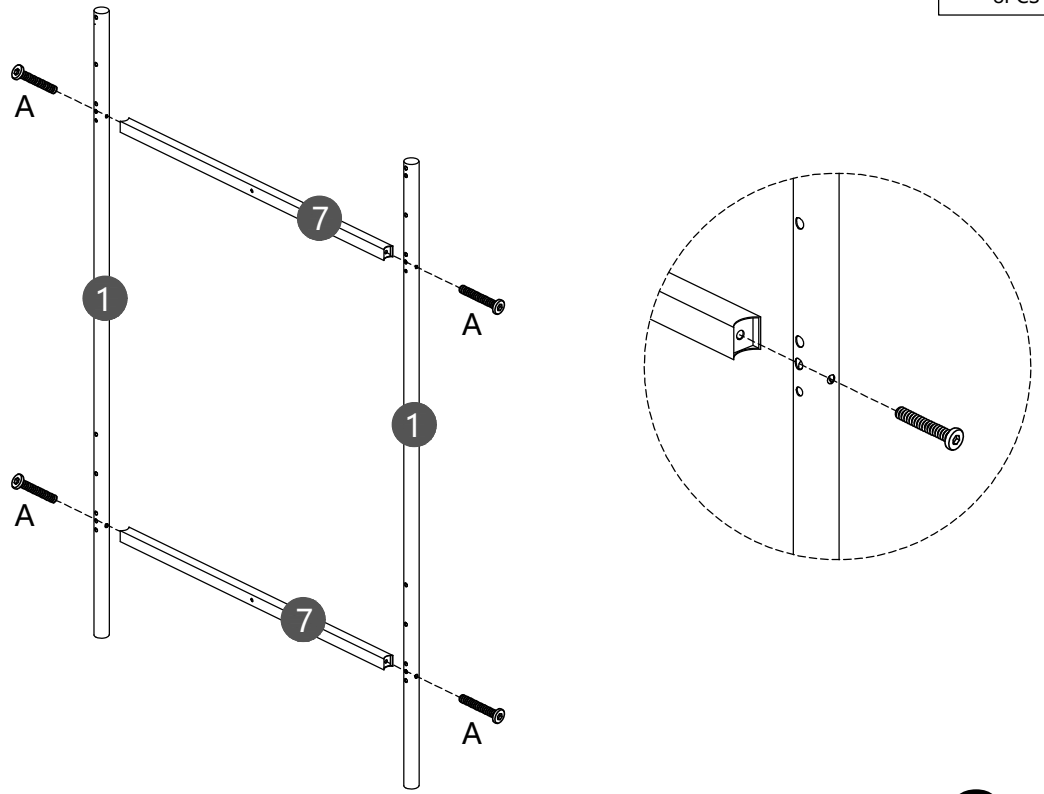
<p>1</p>  <p>4pcs</p>	<p>2</p>  <p>1pc</p>	<p>3</p>  <p>1pc</p>
<p>8</p>  <p>1pc</p>	<p>9</p>  <p>2pcs</p>	<p>12</p>  <p>1pc</p>
<p>15</p>  <p>2pcs</p>	<p>16</p>  <p>2pcs</p>	

Hardware List for WF309877

<p>A</p>  <p>M6*55mm 31pcs</p>	<p>B</p>  <p>M6*50mm 24pcs</p>	<p>C</p>  <p>M6*45mm 4pcs</p>
<p>D</p>  <p>M6*35mm 16pcs</p>	<p>E</p>  <p>M6*16mm 16pcs</p>	<p>F</p>  <p>M6*12mm 8pcs</p>
<p>G</p>  <p>Ø4*12mm 20pcs</p>	<p>H</p>  <p>M6 24pcs</p>	<p>I</p>  <p>2pcs</p>
<p>J</p>  <p>2pcs</p>	<p>K</p>  <p>2pcs</p>	<p>L</p>  <p>2pcs</p>
<p>M</p>  <p>4pcs</p>	<p>N</p>  <p>4pcs</p>	<p>O</p>  <p>1pc</p>
<p>P</p>  <p>8pcs</p>	<p>Q</p>  <p>1pc</p>	


STEP 1:

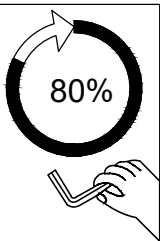
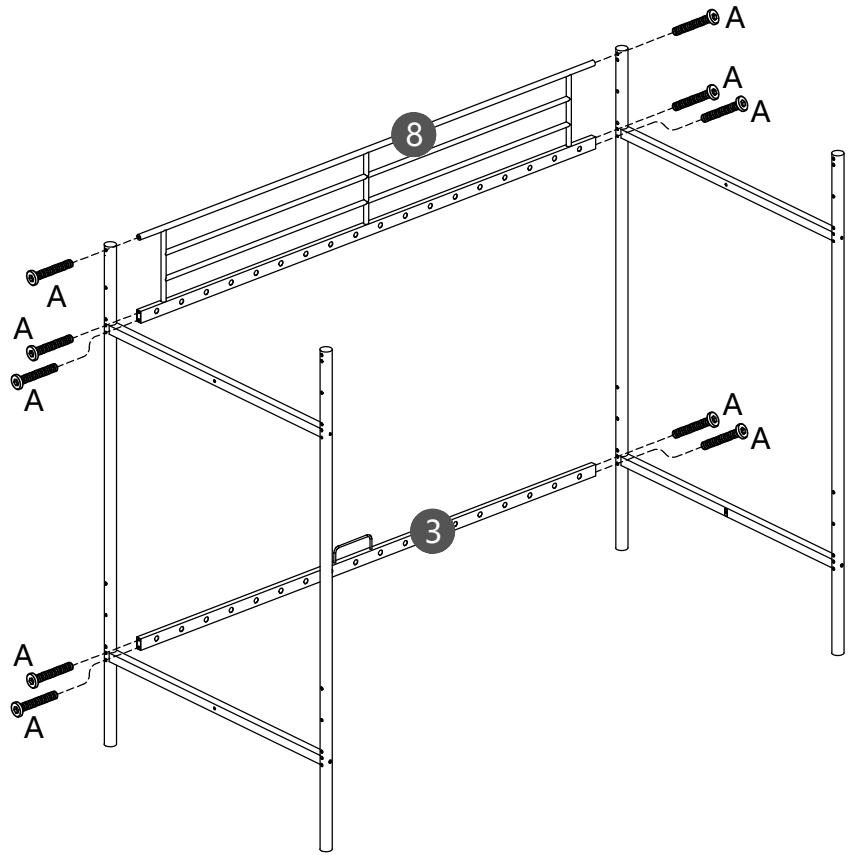
A

M6*55mm
8PCS




x 2

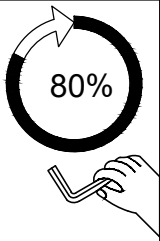
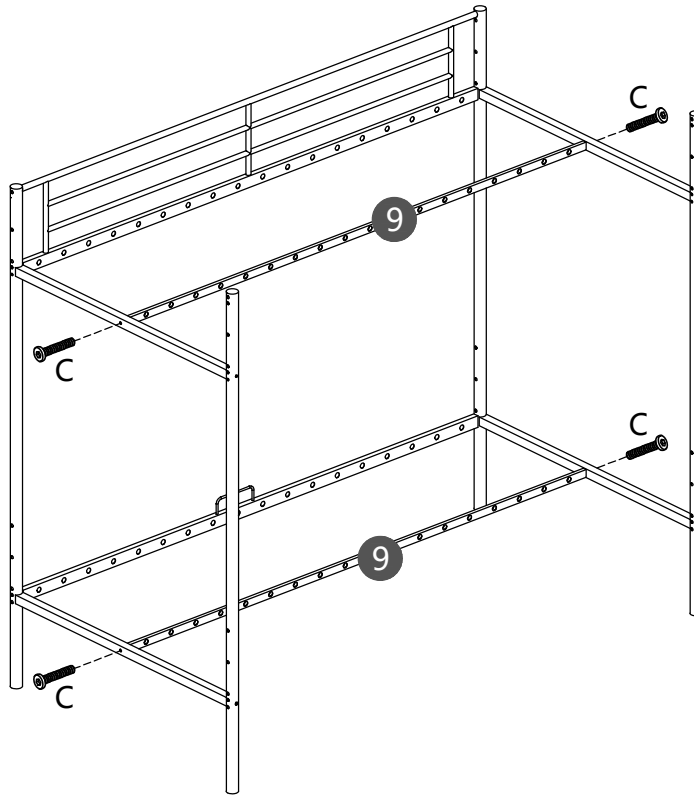
STEP 2:

A

M6*55mm
10PCS




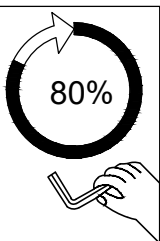
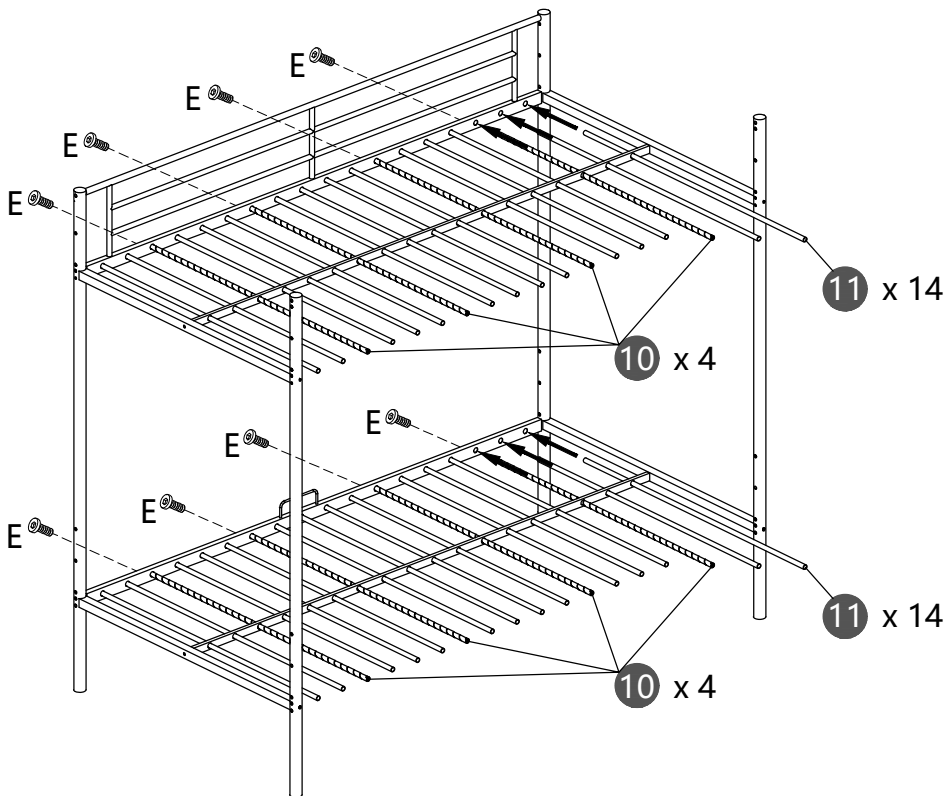
STEP 3:

C

M6*45mm
4PCS





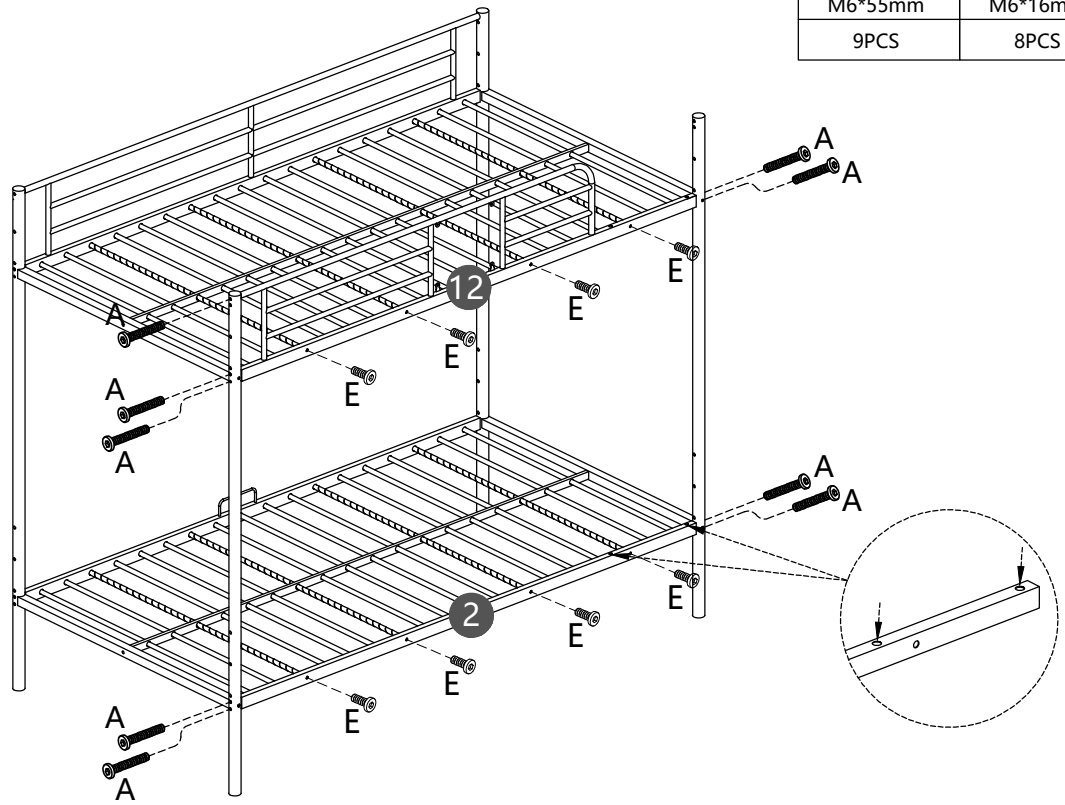
STEP 4:

E

M6*16mm
8PCS




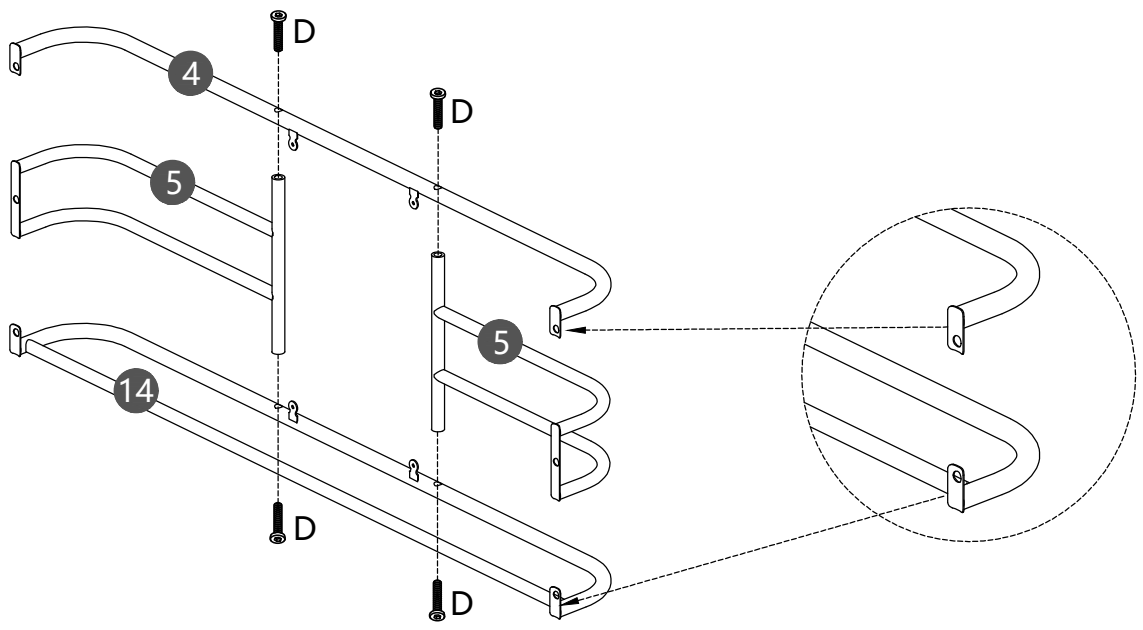
STEP 5:

A	E
 M6*55mm	 M6*16mm
9PCS	8PCS





STEP 6:

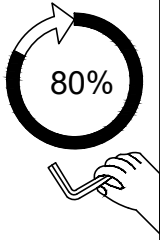
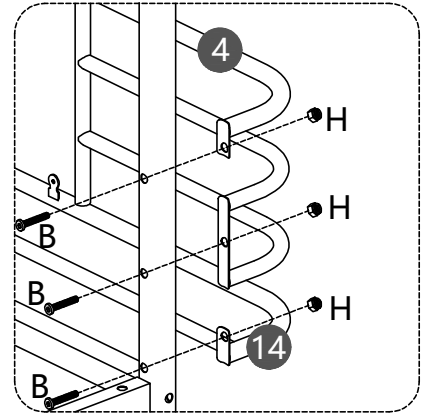
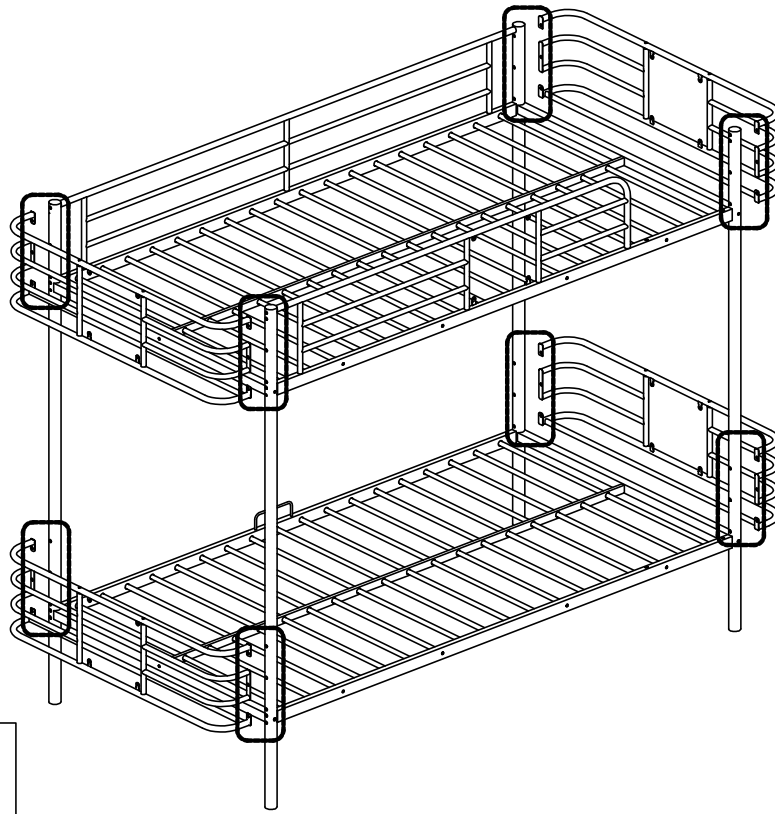
D
 M6*35mm
16PCS




x 4

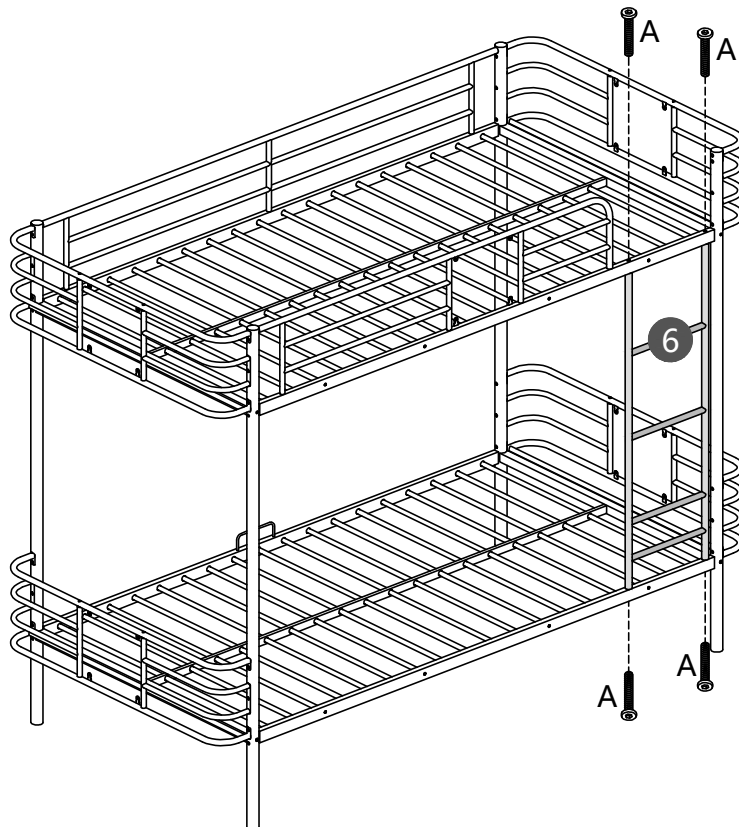
STEP 7:

B	H
 M6*50mm	 M6
24PCS	24PCS

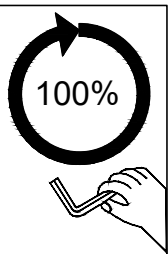


STEP 8:


A
 M6*55mm
4PCS

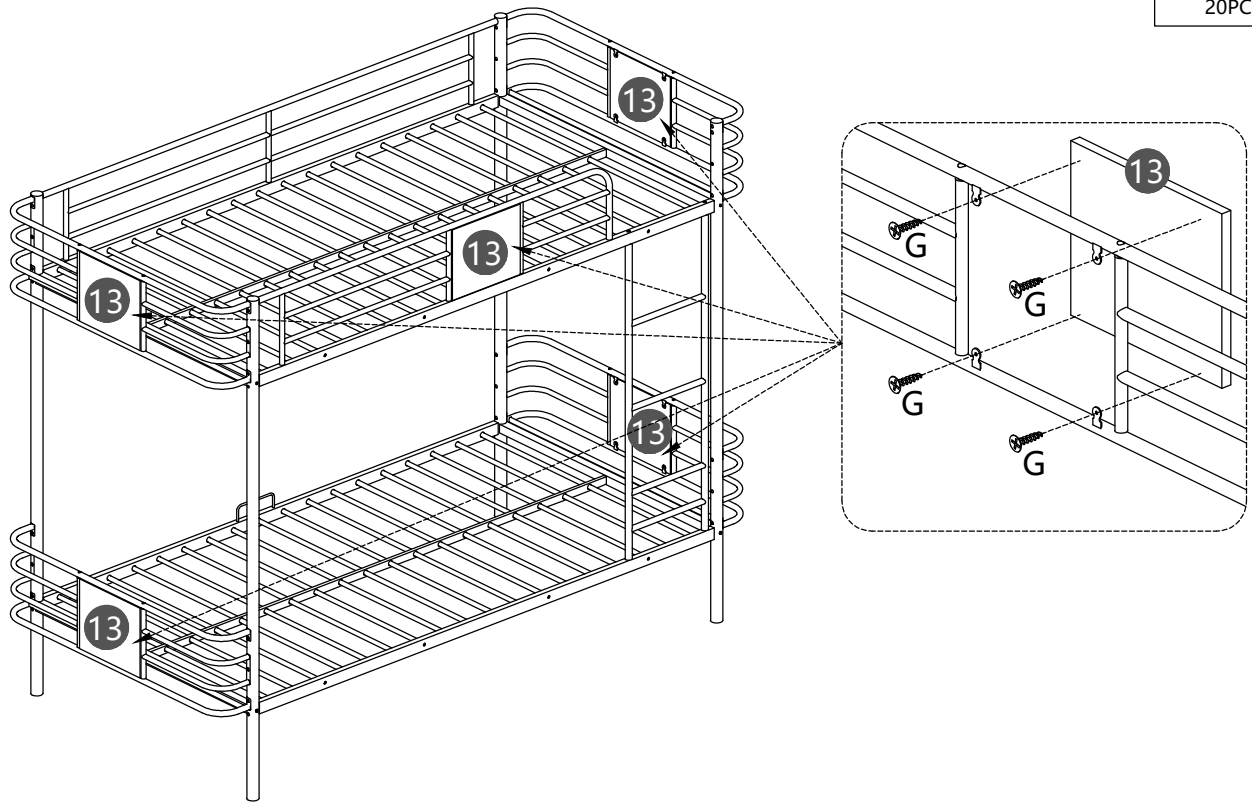


Tighten all the bolts.

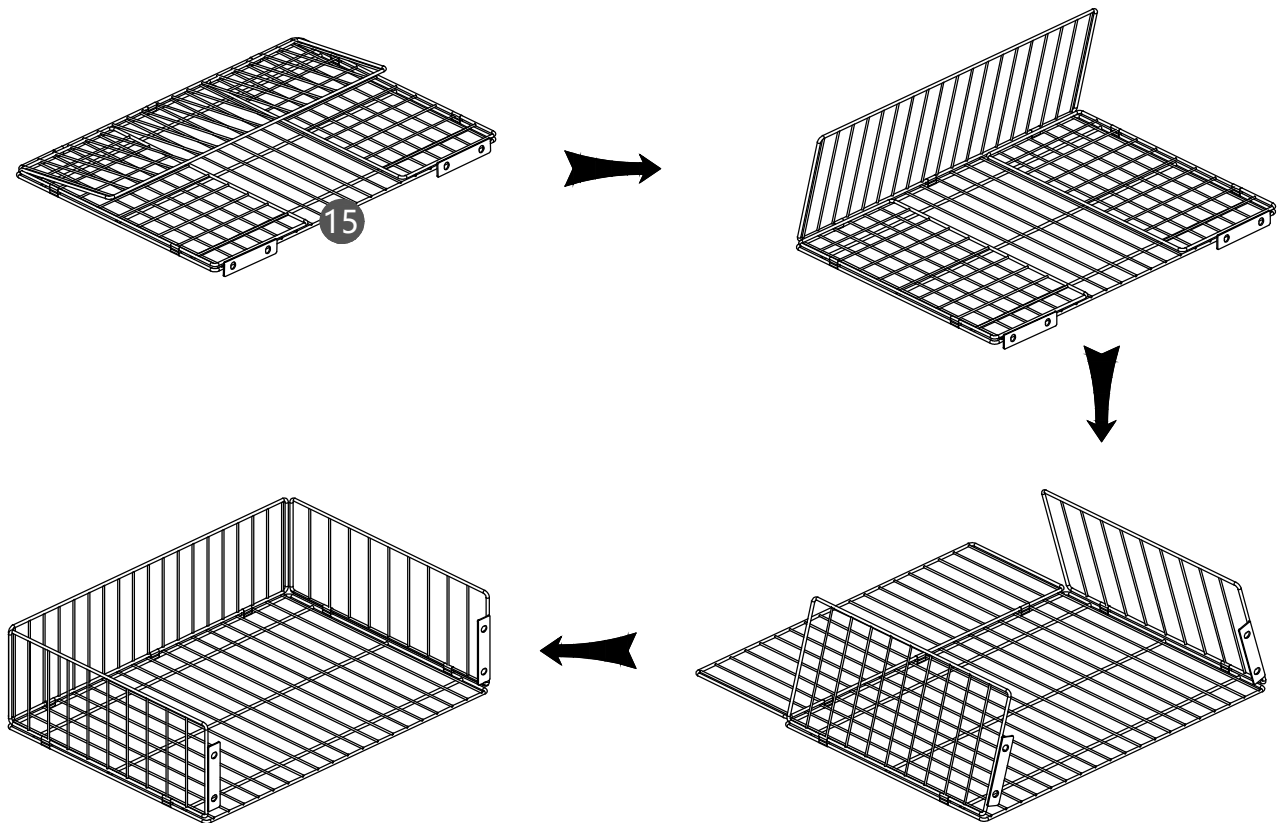


STEP 9:

G
 Ø4*12mm
20PCS

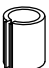


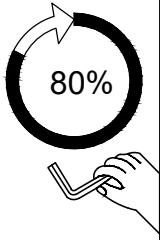
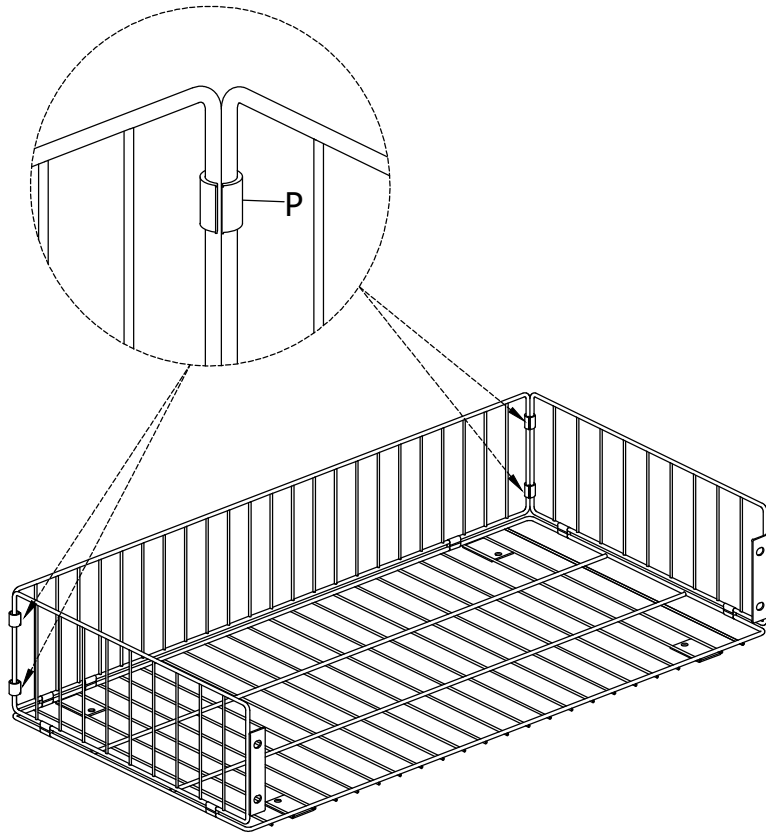
STEP 10:



X2



STEP 11:

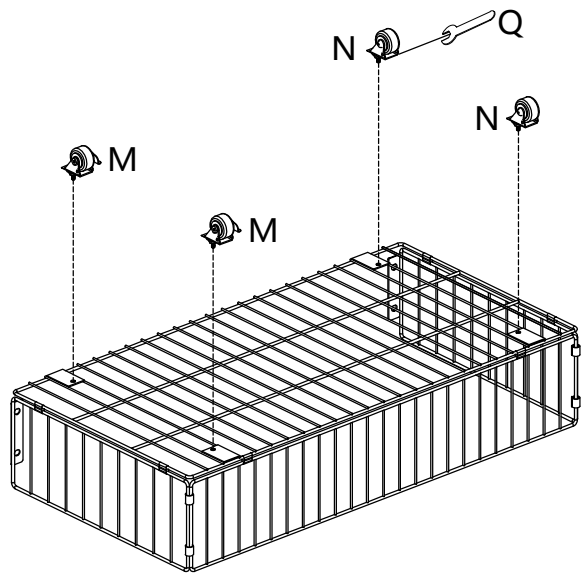
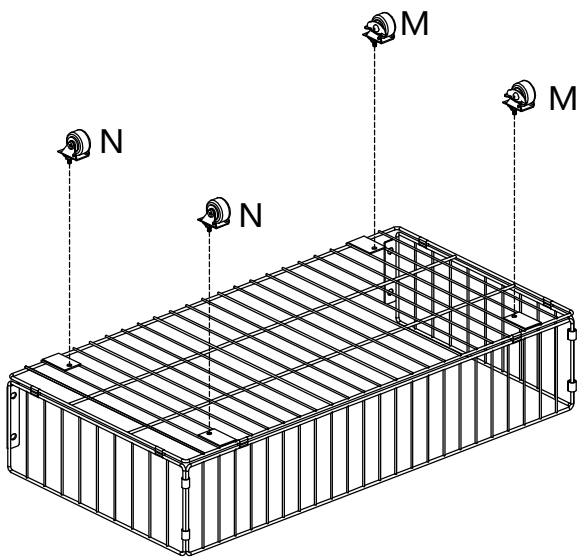
P

8PCS




X2

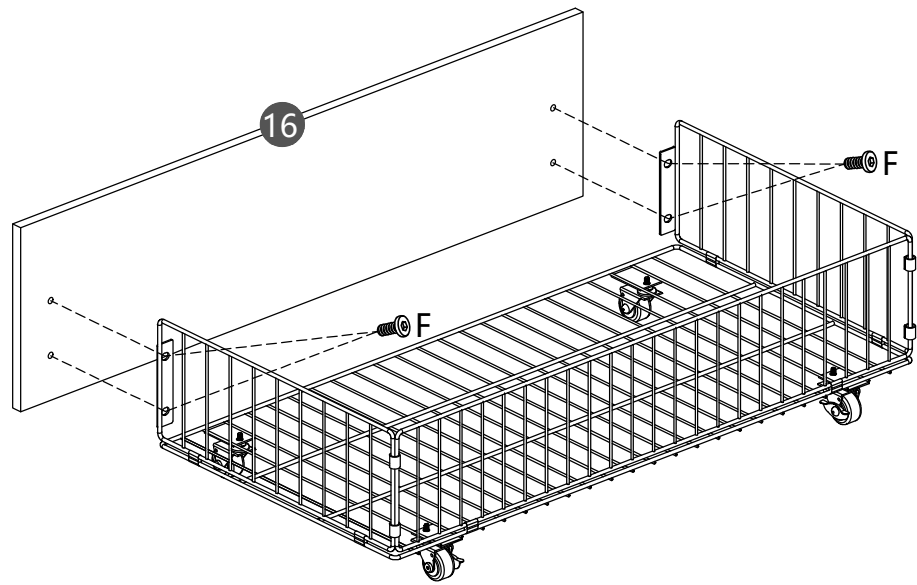
STEP 12:

M	N
	
4PCS	4PCS



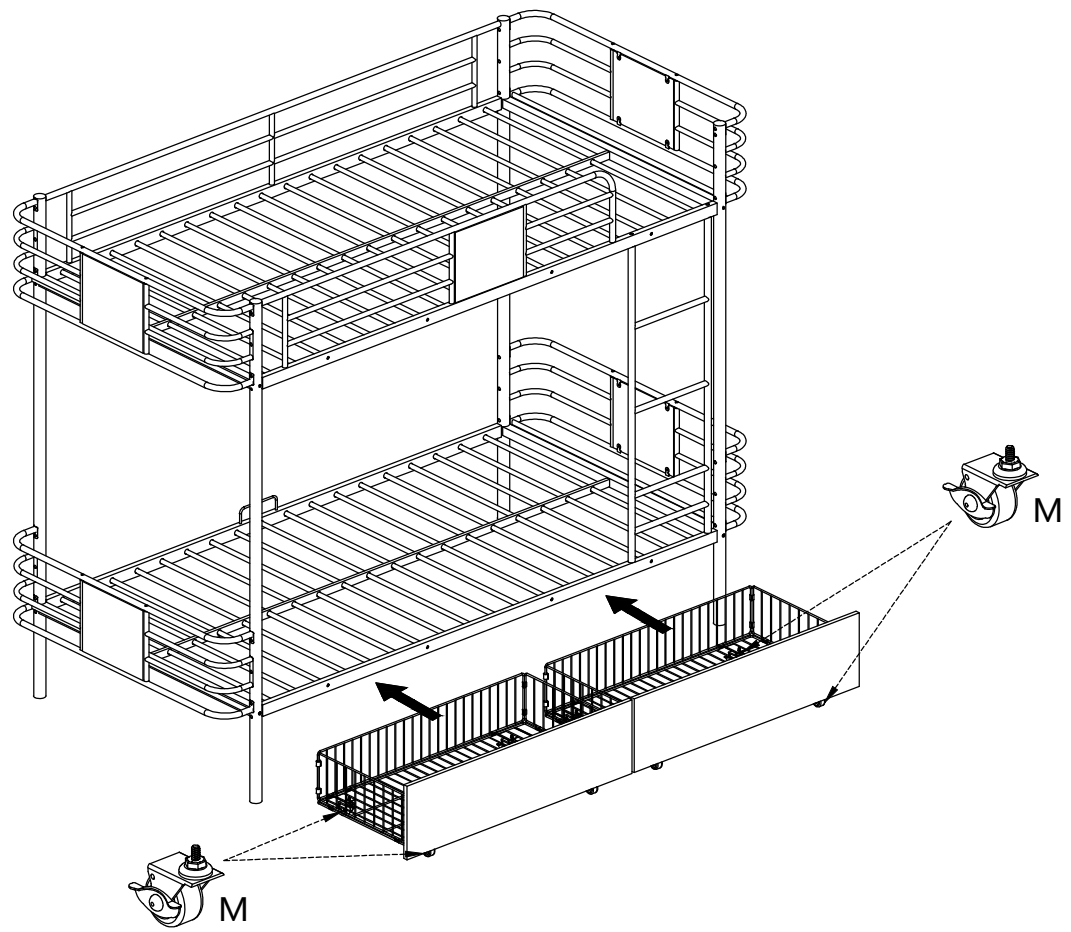
STEP 13:

F

M6*12mm
8PCS

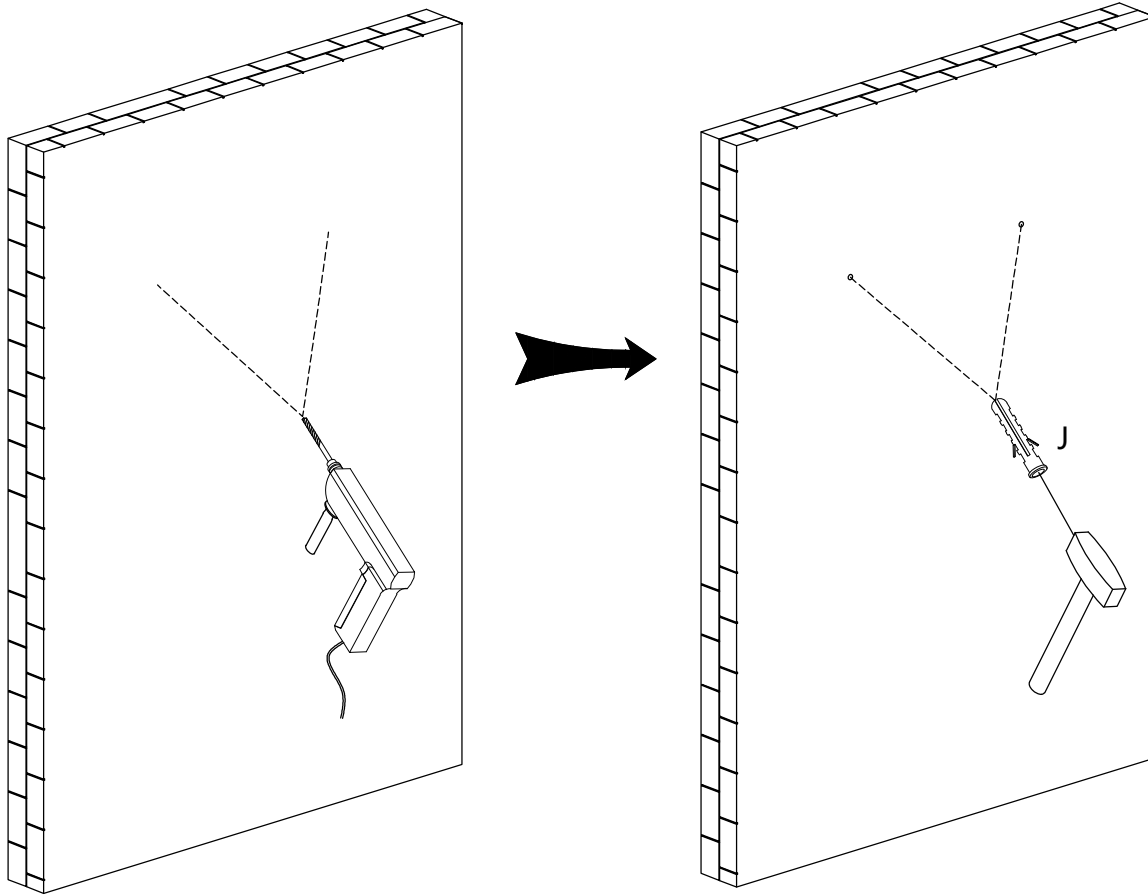



X2

STEP 14:

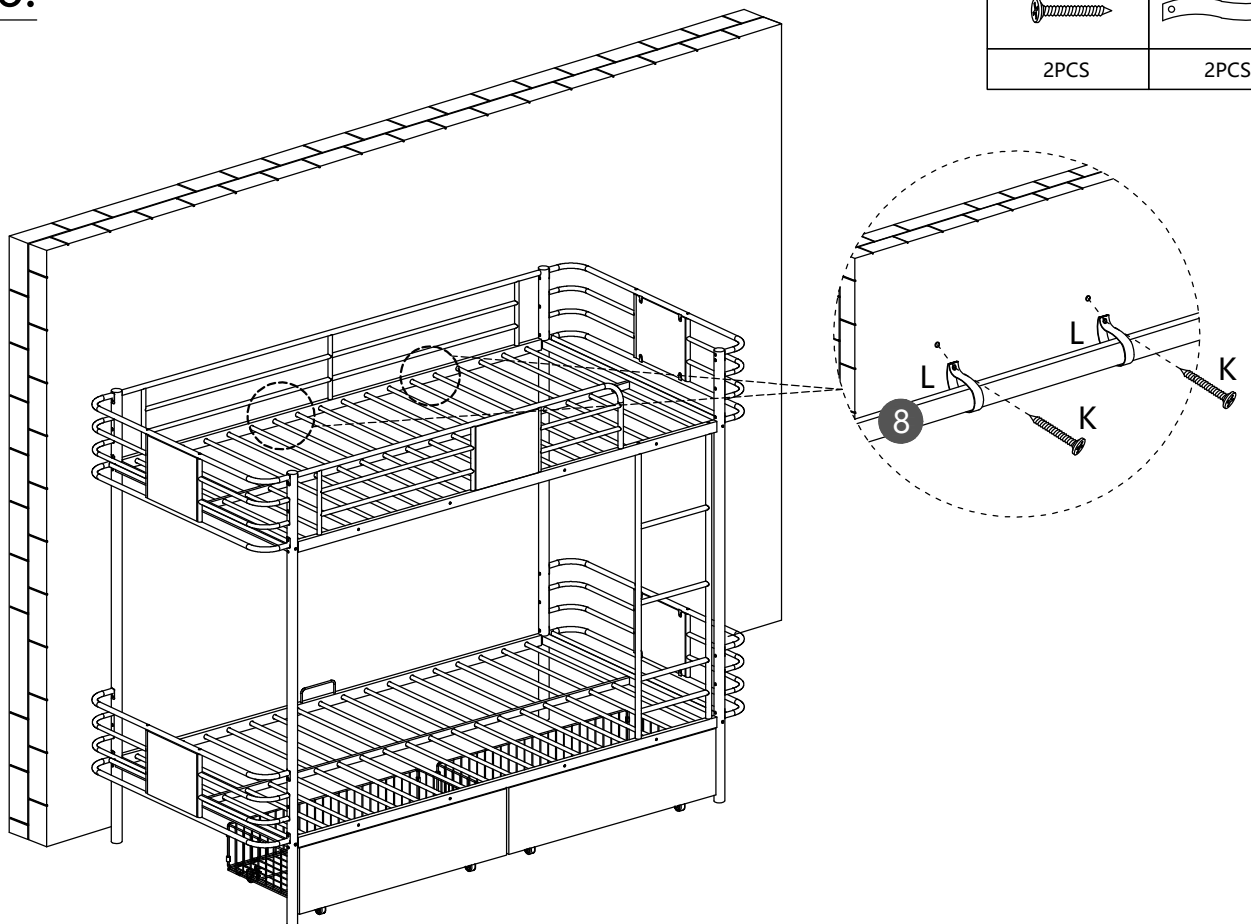


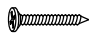
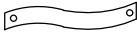
STEP 15:



J

2PCS

STEP 16:



K	L
	
2PCS	2PCS

