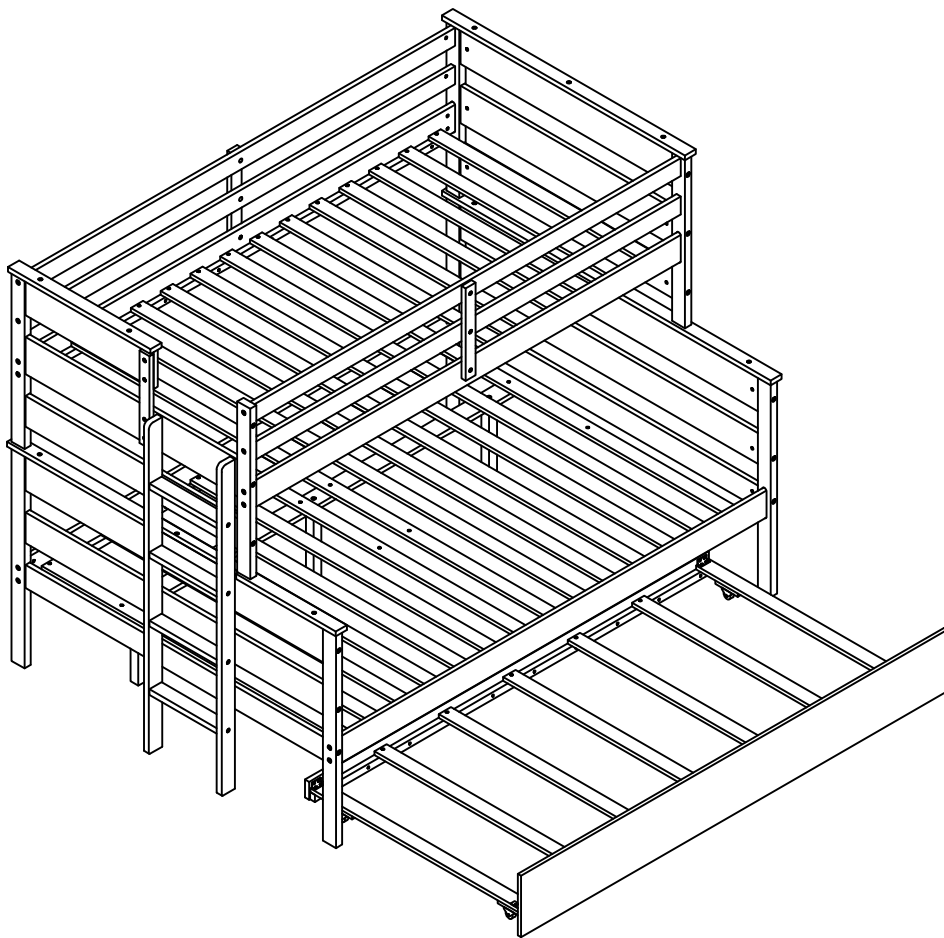


ASSEMBLY INSTRUCTIONS

TWIN/FULL BUNK BED WITH TRUNDLE



WF312643/WF312644

SAFETY WARNINGS AND GENERAL NOTES:

Follow the information on the warnings on the bunk bed end structure and on the carton. Do not remove the warning label from the bed. Always use the recommended size mattress on mattress support, or both, to help prevent the likelihood of entrapment or falls.

The top surface of the mattress must be at least 5*inch (127mm) below the upper edge of the guardrail.

Do not allow children under 6 years of age to use the upper bunk.

Periodically check and ensure the guardrail, ladder and other components are in their proper position, free from damage, and all connectors are tight.

Do not allow horseplay on or under beds.

Always prohibit jumping on the bed.

Prohibit more than one person on upper bunk.

Always use the ladder for entering and leaving the upper bunk.

Do not use substitute parts. Contact the manufacturer or dealer for replacement parts.

Use of a night-light may provide added safety precaution for a child using the upper bunk.

Always use guardrails on both long sides of the upper bunk.

If the bunk bed will be placed next to a wall, the guardrail that runs the full length of the bed should be placed against the wall to prevent entrapment between the bed and the wall.

The use of water or sleep flotation mattresses is prohibited.

STRANGULATION HAZARD-Never attach or hang items to any part of the bunk bed that are not designed for use with the bed.

Keep these instructions for future reference.

We recommend assembling your bunk bed on the shipping carton to protect your floor or carpet.

Be certain all staples are out of the box before beginning assembly on the shipping carton.

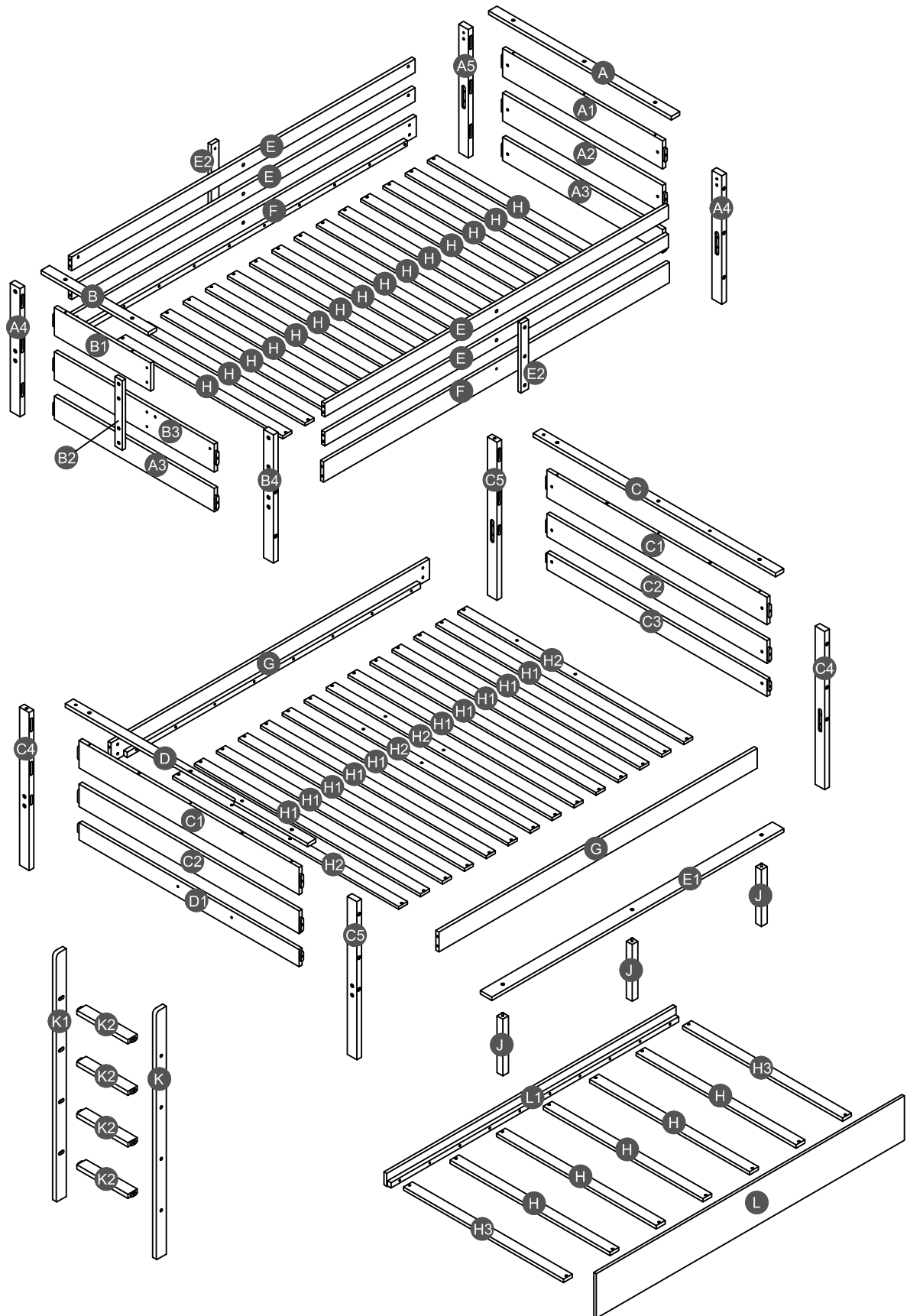
THIS BED IS DESIGNED TO USE A TWIN MATTRESSES 38 1/2" WIDE X 74"-75" LONG WITH THE TOTAL THICKNESS NOT EXCEEDING 6" FOR UPPER BUNK, FOR THE LOWER FULL-SIZE SHOULD BE 54" WIDE X 74"-75" LONG, WIDE WITH 8" THICKNESS.

SURFACE OF MATTRESS MUST BE AT LEAST 5" (127MM) BELOW THE UPPER EDGE OF GUARDRAILS.

Replacement Parts:




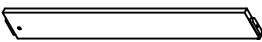
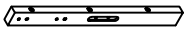

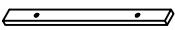
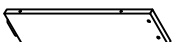
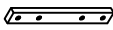
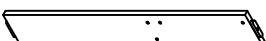
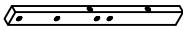
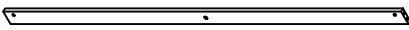


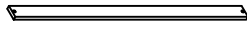

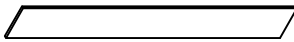

Replacement Parts, including additional guardrails, may be obtained from any of our (GIGACLOUD TECHNOLOGY (USA) INC. 18961 ARENTH AVENUE, CITY OF INDUSTRY , CA, 91748.) dealers

Detail View




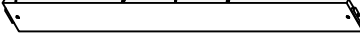
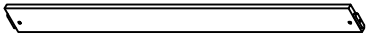
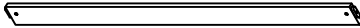
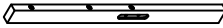
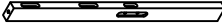
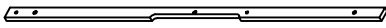
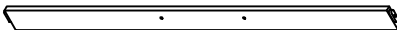

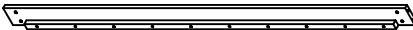
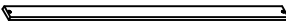

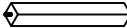
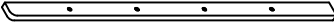
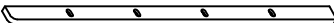
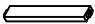
Part List

WF312643

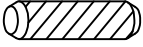
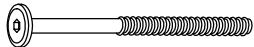
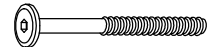
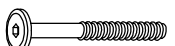







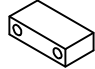



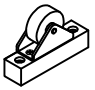
<p>A</p>  <p>Cap for upper HB - 1pc</p>	<p>A1</p>  <p>Upper horizontal bar HB - 1pc</p>	<p>A2</p>  <p>Divider horizontal bar HB - 1pc</p>
<p>A3</p>  <p>Lower horizontal bar HB/FB - 2pcs</p>	<p>A4</p>  <p>Upper leg (Left Back /Right Front) - 2pcs</p>	<p>A5</p>  <p>Upper leg (Right Back) - 1pc</p>
<p>B</p>  <p>Cap for upper FB - 1pc</p>	<p>B1</p>  <p>Upper horizontal bar FB - 1pc</p>	<p>B2</p>  <p>Vertical guard rail FB - 1pc</p>
<p>B3</p>  <p>Divider horizontal bar FB - 1pc</p>	<p>B4</p>  <p>Upper leg (Left Front) - 1pc</p>	<p>E</p>  <p>Upper Guard rail (Front/Back) - 4pcs</p>
<p>E2</p>  <p>Vertical guard rail - 2pcs</p>	<p>F</p>  <p>Upper side rail (Front/Back) - 2pcs</p>	<p>H</p>  <p>Slats - 19pcs</p>
<p>H3</p>  <p>Slats - 2pcs</p>	<p>L</p>  <p>Front panel of Trundle - 1pc</p>	<p>L1</p>  <p>Back panel side rail of Trundle -1pc</p>

Part List

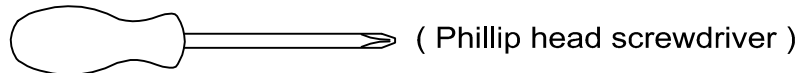
WF312644 + Hardware inside

C  Cap for lower FB - 1pc	C1  Upper horizontal bar HB/FB - 2pcs	C2  Divider horizontal bar HB/FB - 2pcs
C3  Lower horizontal bar HB - 1pc	C4  Lower leg (Left Back/Right Front) - 2pcs	C5  Lower leg (Left Front/Right Back) - 2pcs
D  Cap for lower HB - 1pc	D1  Lower horizontal bar FB - 1pc	E1  Lower support slat - 1pc
G  Lower side rail (Front/Back) - 2pcs	H1  Slats - 10pcs	H2  Slats - 4pcs
J  Leg support - 3pcs	K  Side ladder (Front) - 1pc	K1  Side ladder (Back) - 1pc
K2  Step ladder - 4pcs		

Hardware List WF312644

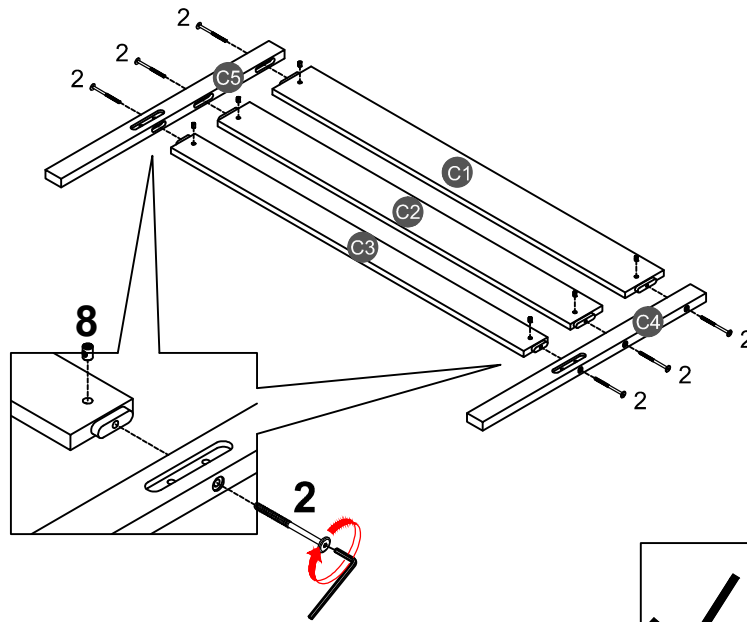
1  Ø10*40mm Wood dowel (8pcs)	2  (Ø15)1/4"*100mm Hex-Head bolts (23pcs)	3  (Ø15)1/4"*80mm Hex-Head bolts (24pcs)
4  (Ø12)1/4"*60mm Hex-Head bolts (8pcs)	5  (Ø12)1/4"*40mm Hex-Head bolts (4pcs)	6  (Ø12)1/4"*30mm Hex-Head bolts (10pcs)
7  (Ø12)1/4"*40mm Hex-Head bolts (11pcs)	8  1/4"*15 (9.5mm) Horizontal-Hole bolts(55pcs)	9  Ø9*90mm Connecting bar (4pcs)
10  Ø4*30mm Wood screws (86pcs)	11  (1/4")4.5*58mm Allen key (1pc)	12  70*35*19 mm Trundle stopper (2pcs)
13  Ø3.5*15mm Wood screws (16pcs)	14  95*95*18*3mm Metal bracket (2pcs)	15  40*18*18*1.6mm Metal bracket (2pcs)
16  100*63*20mm Wheels (4pcs)		



ASSEMBLY TOOLS REQUIRED (NOT INCLUDED)



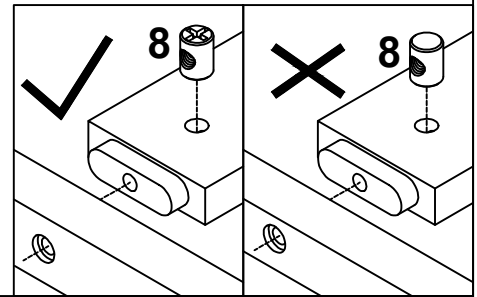
DO NOT USE POWER TOOLS TO ASSEMBLE THIS PRODUCT !

STEP 1:

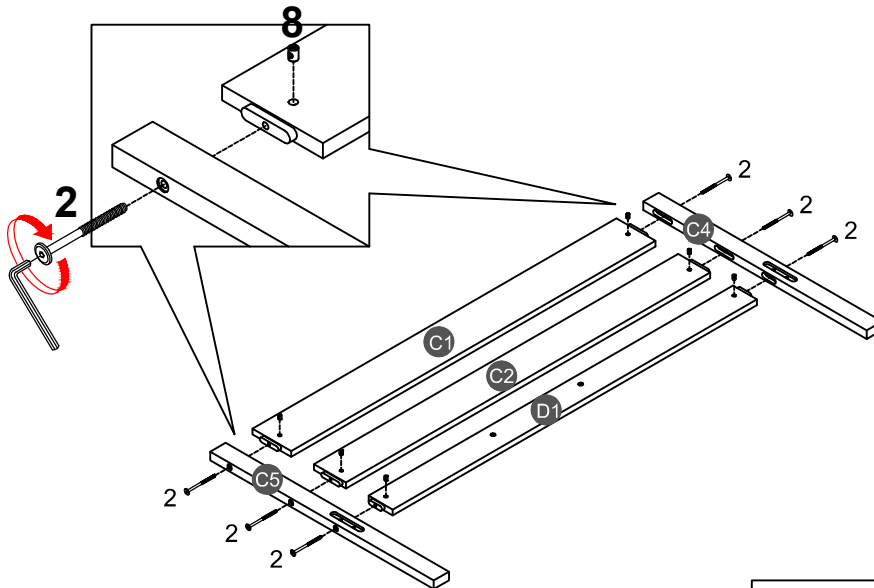




2		8	
6PCS		6PCS	

Note: Part 8 will face up with the "x" mark on it, otherwise it cannot be tightened

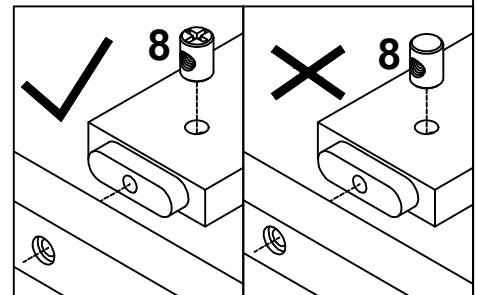


STEP 2:



2		8	
6PCS		6PCS	

Note: Part 8 will face up with the "x" mark on it, otherwise it cannot be tightened

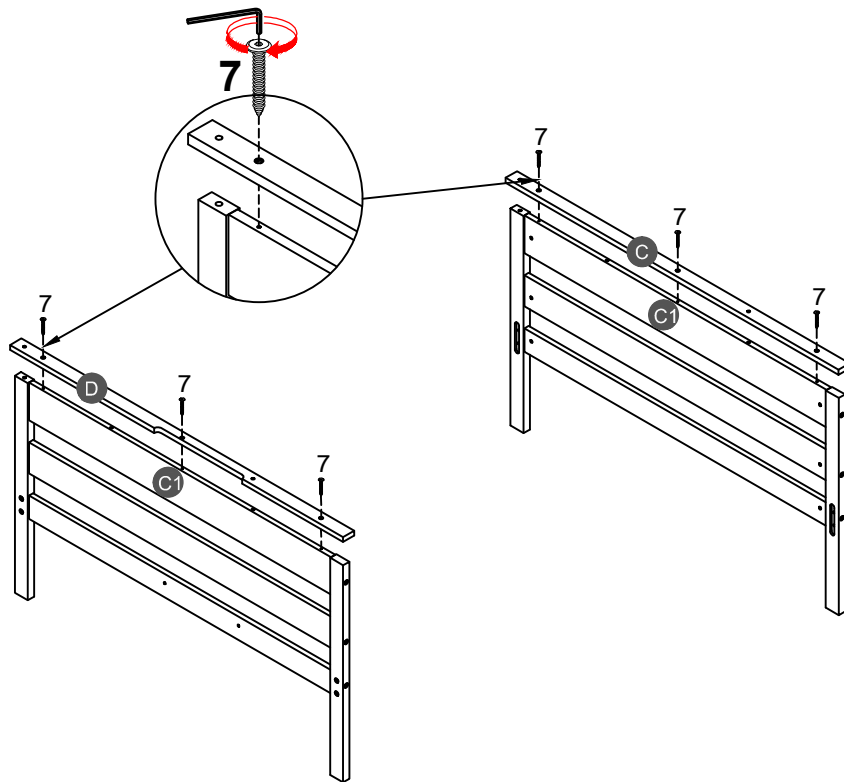


STEP 3:

7



6PCS



STEP 4:

10

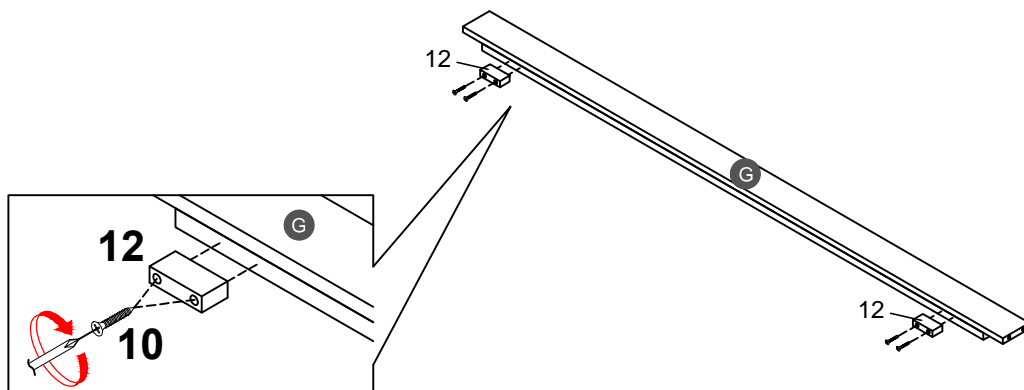


4PCS

12

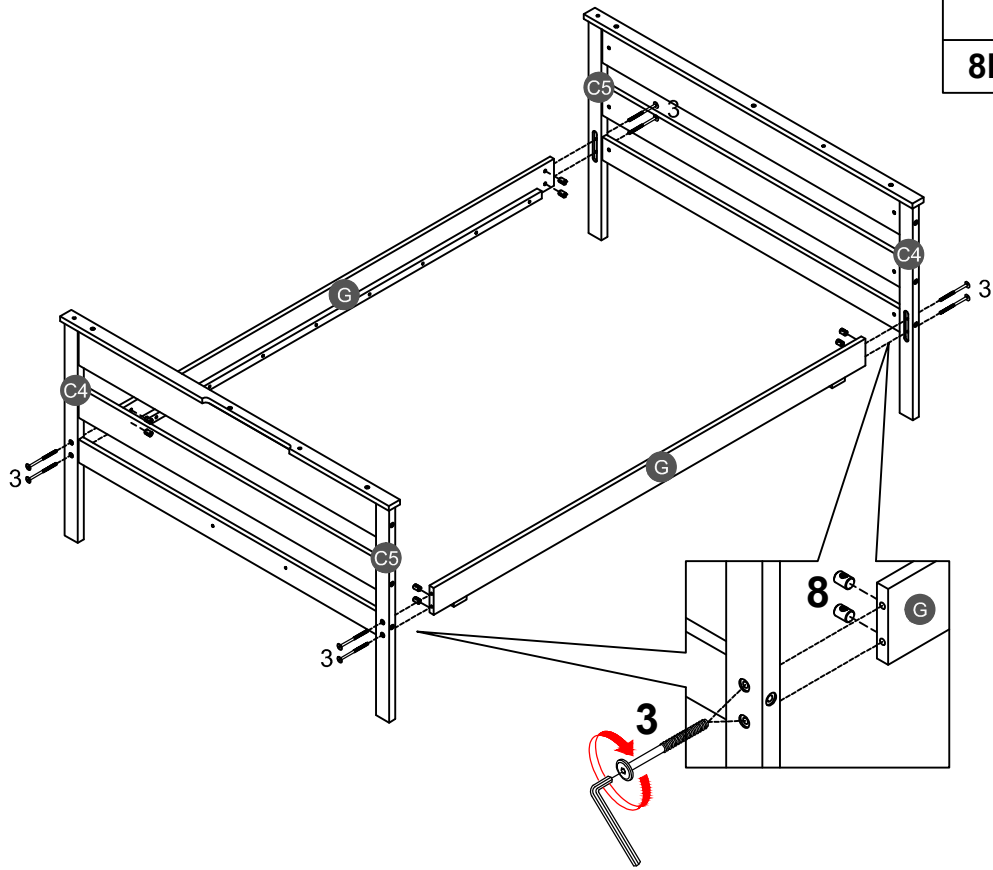




2PCS



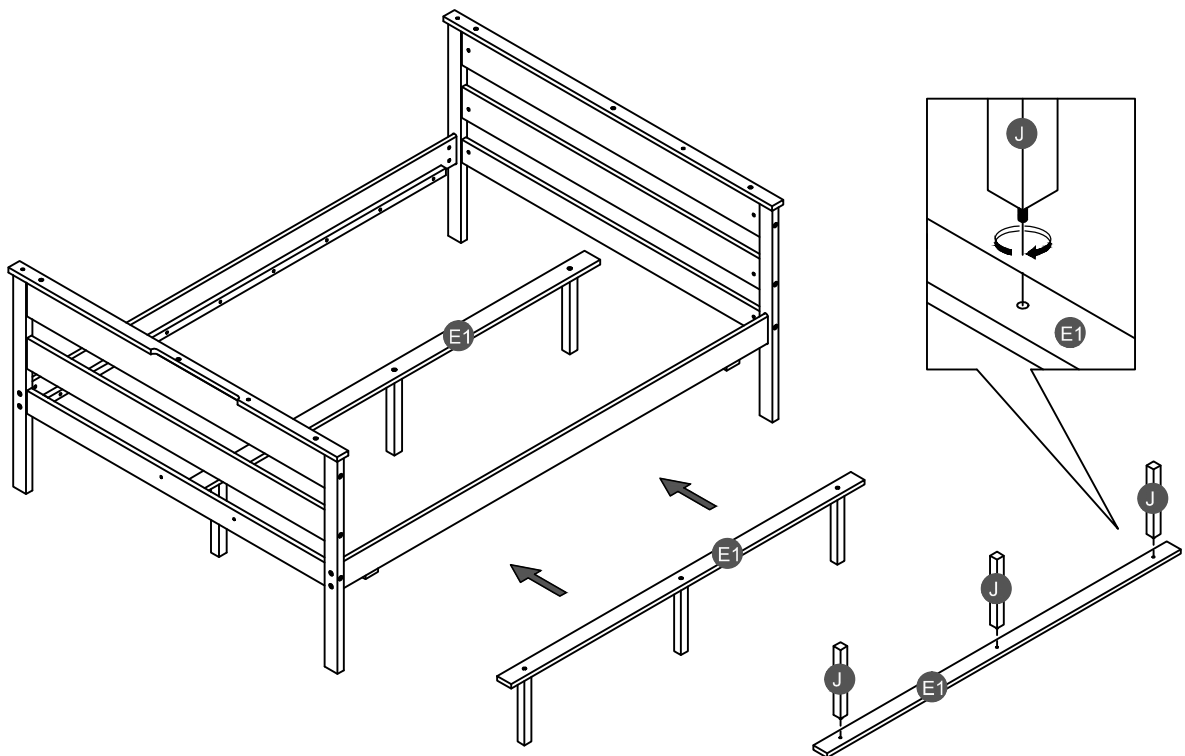
Trundle stopper (12) with lower side rail front (G) by using screw (10).

STEP 5:



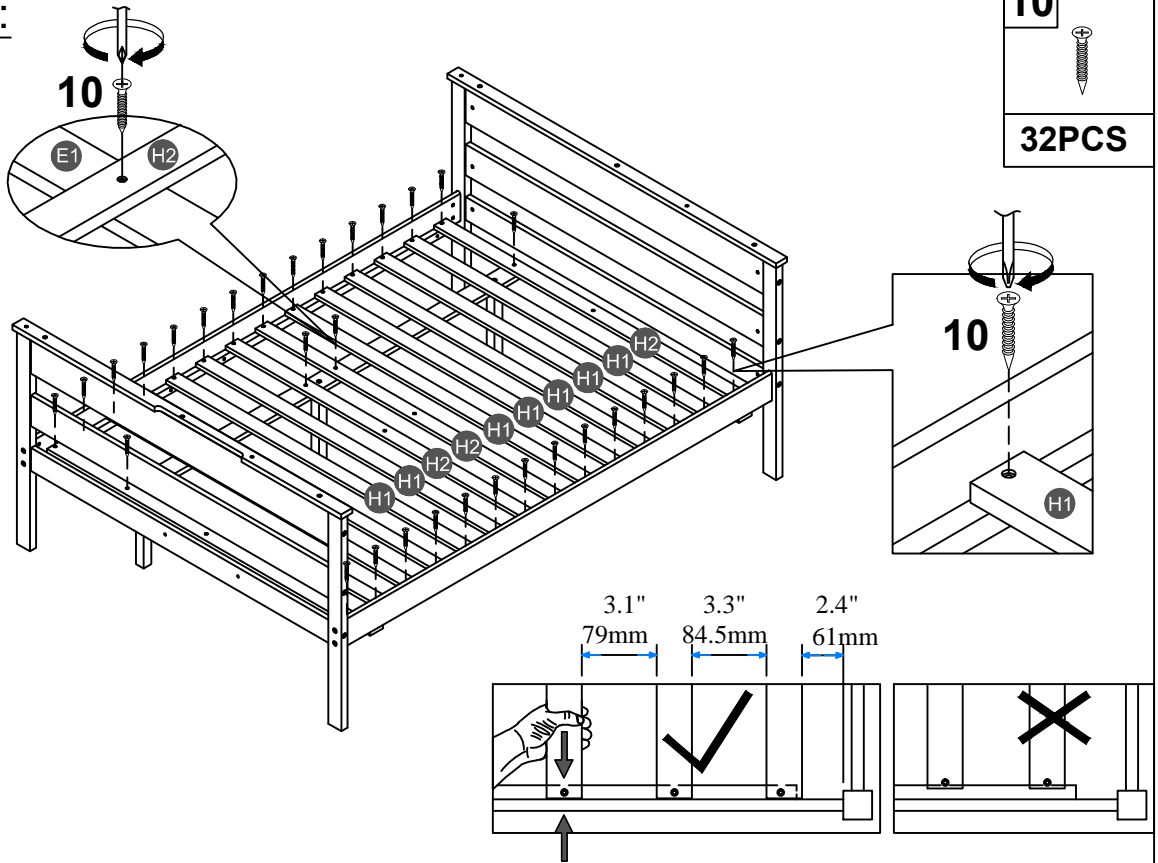
3		8	
8PCS		8PCS	

STEP 6:



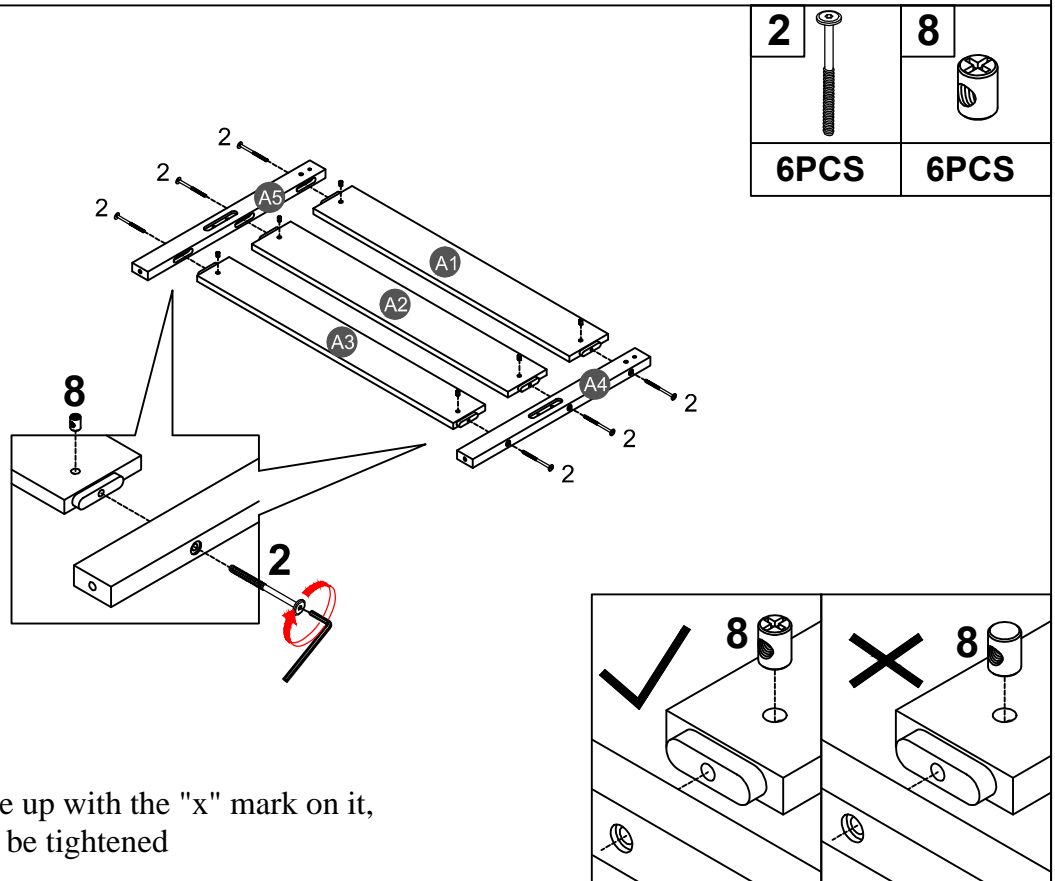
Assembling leg support (J) with lower support slat (E1) later rotate, Move support slat inside bunkbed.

STEP 7:



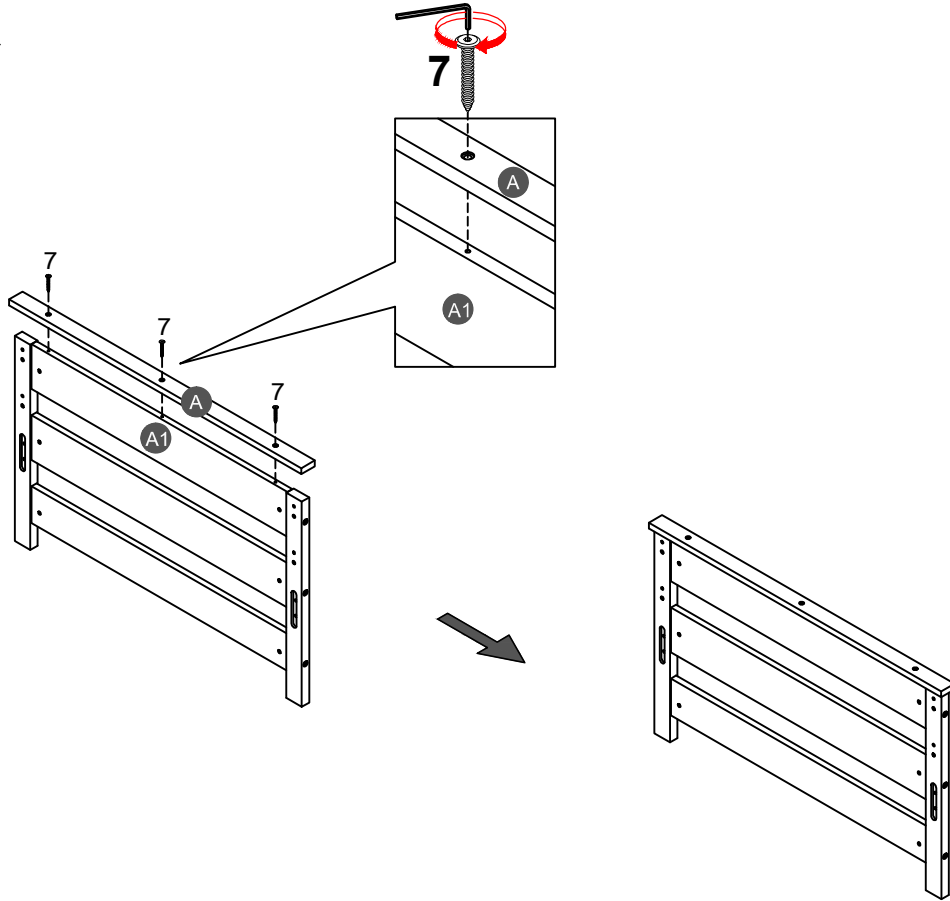
NOTE: Please make sure the bed slats close to the side rail before locking the screws to avoid breakage. This step is required for both the left and right sides. Moreover, please do not lock the screws of the bed slats at the outermost edge to avoid damaging.

STEP 8:



Note: Part 8 will face up with the "x" mark on it, otherwise it cannot be tightened

STEP 9:

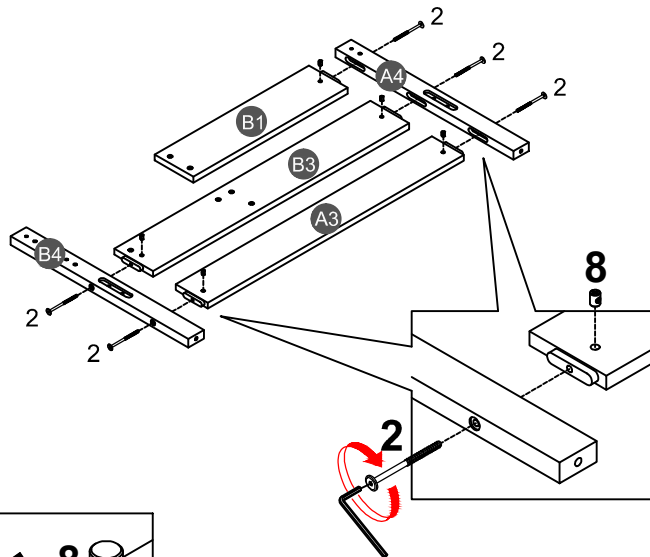


7



3PCS

STEP 10:



2

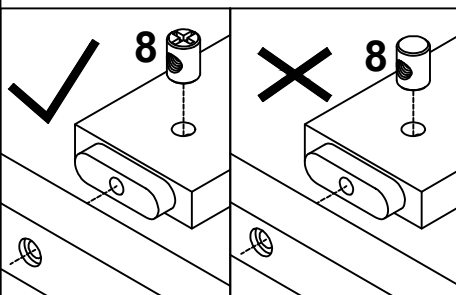


5PCS

8

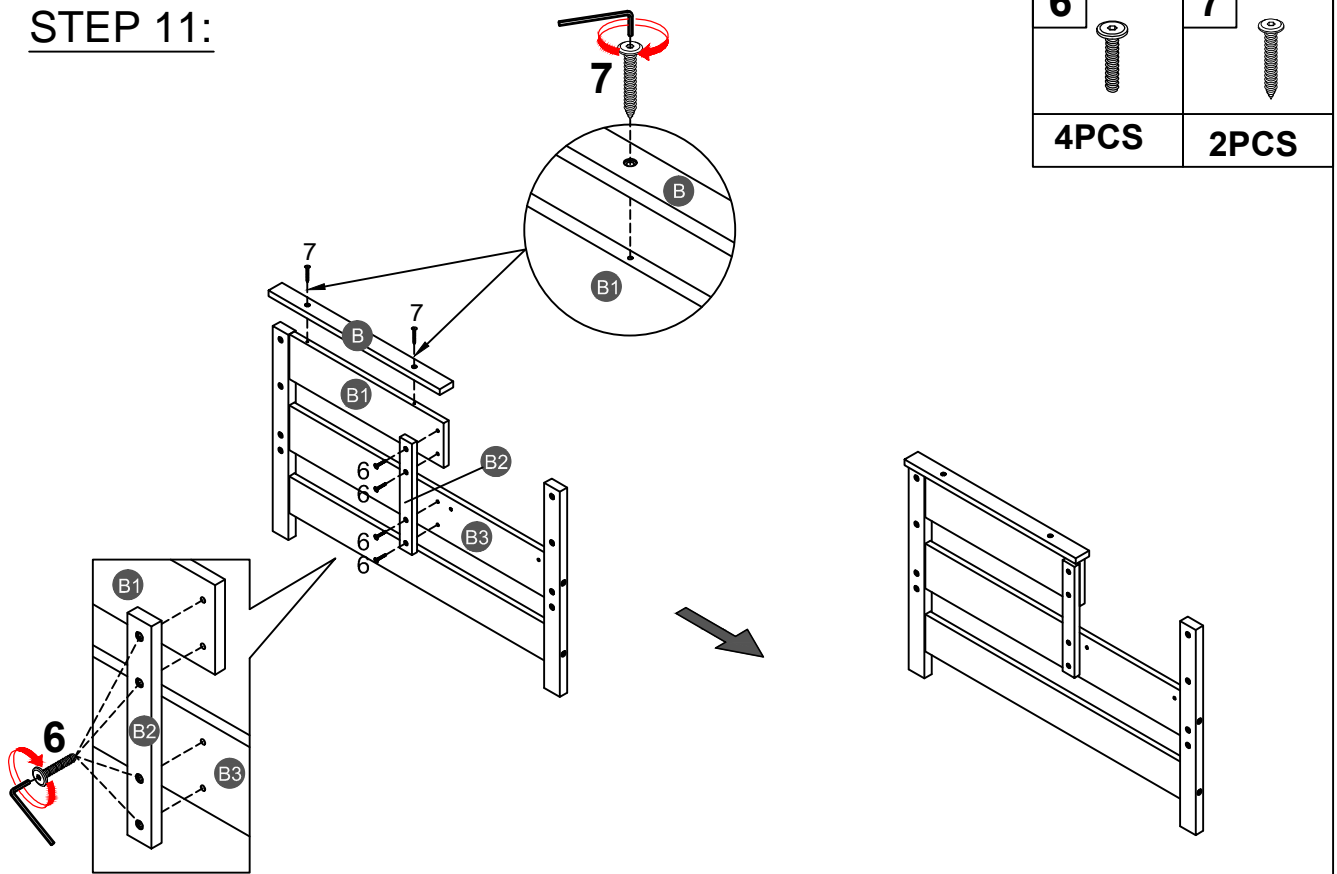


5PCS

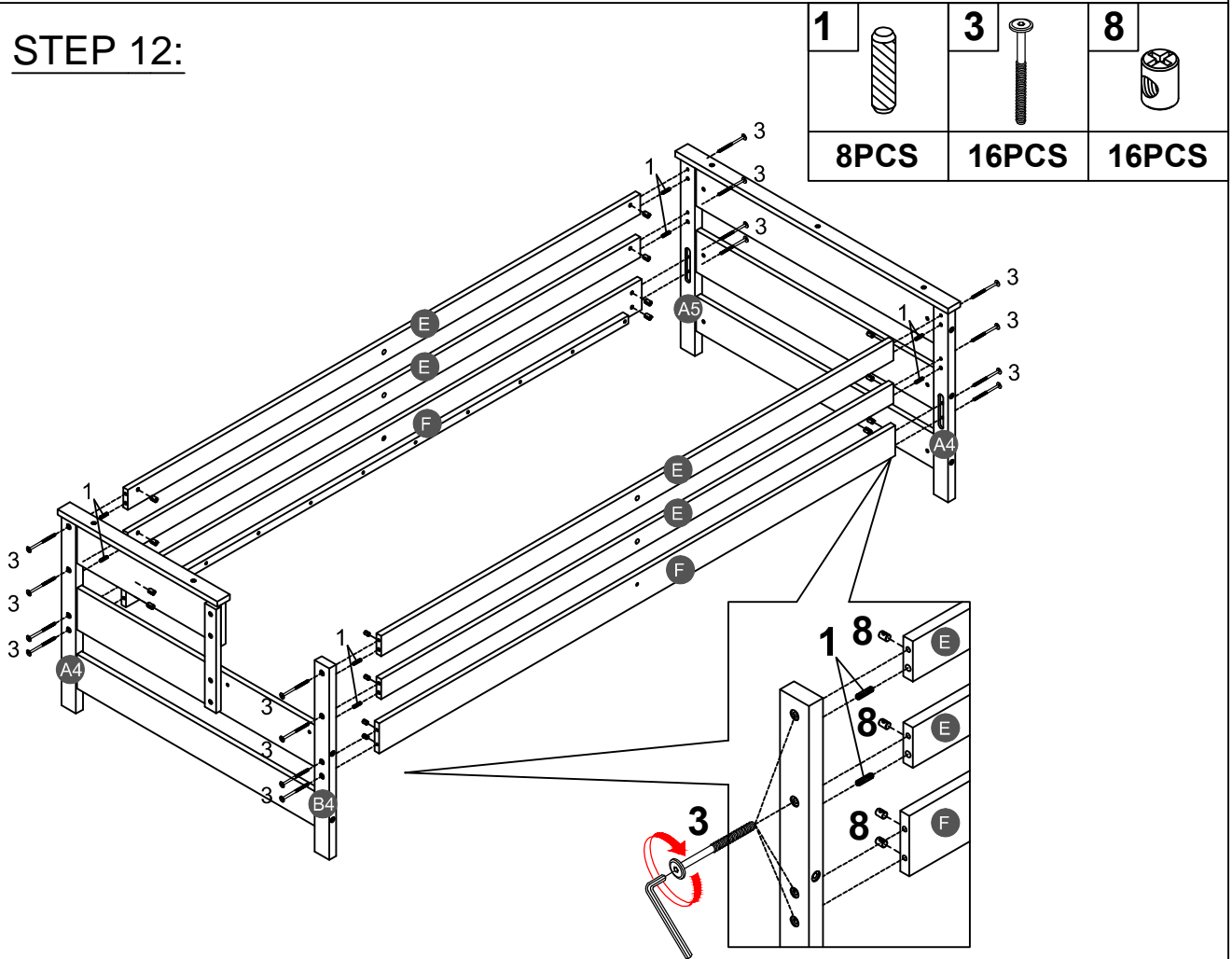


Note: Part 8 will face up with the "x" mark on it, otherwise it cannot be tightened

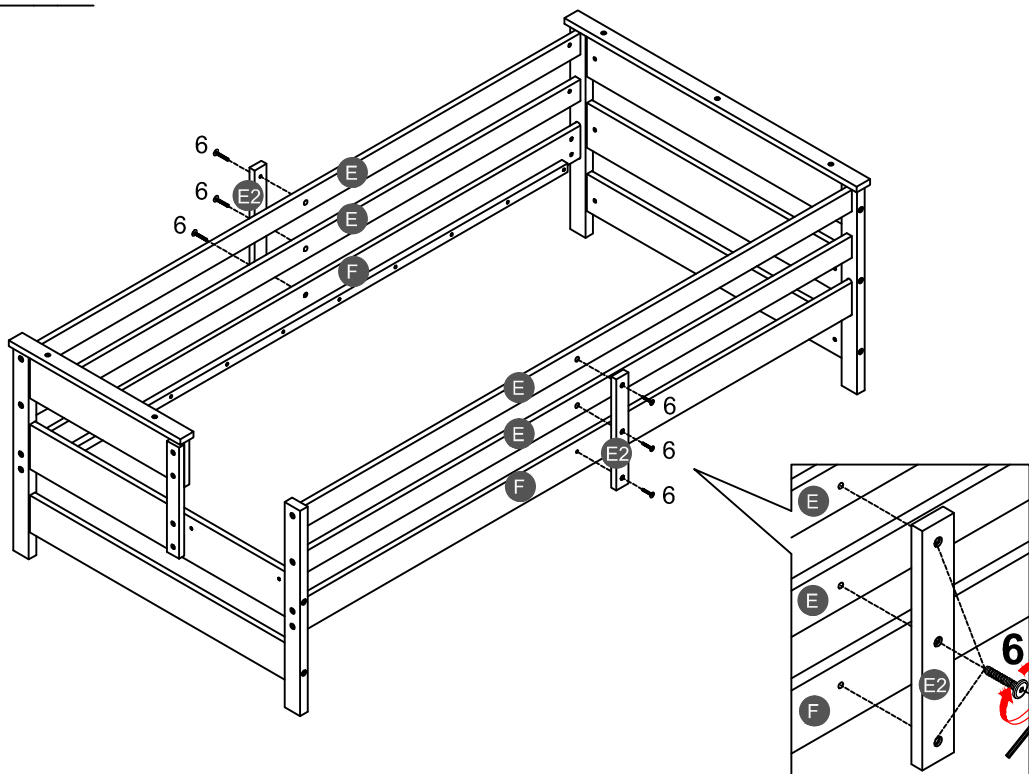
STEP 11:



STEP 12:



STEP 13:

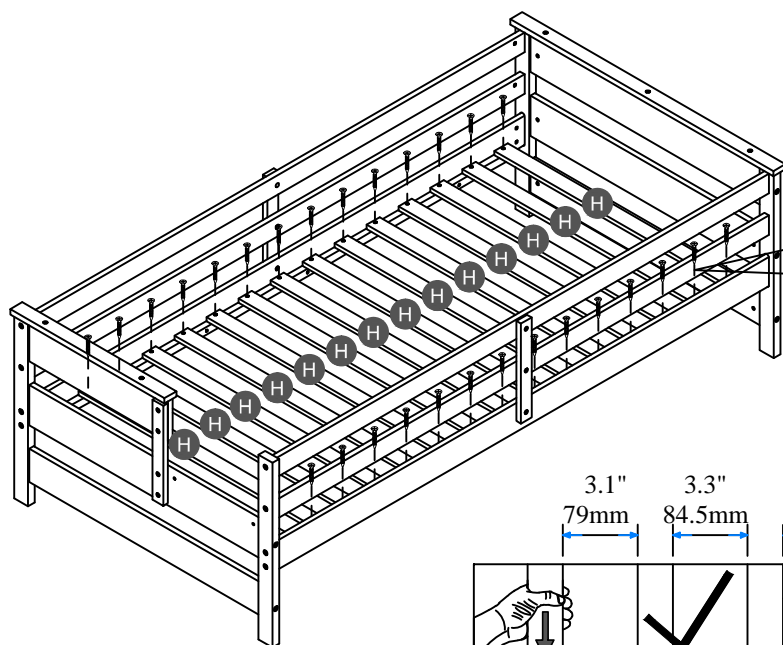


6



6PCS

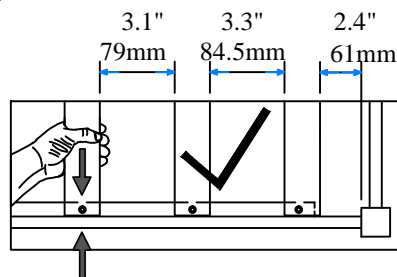
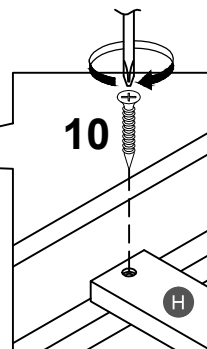
STEP 14:



10




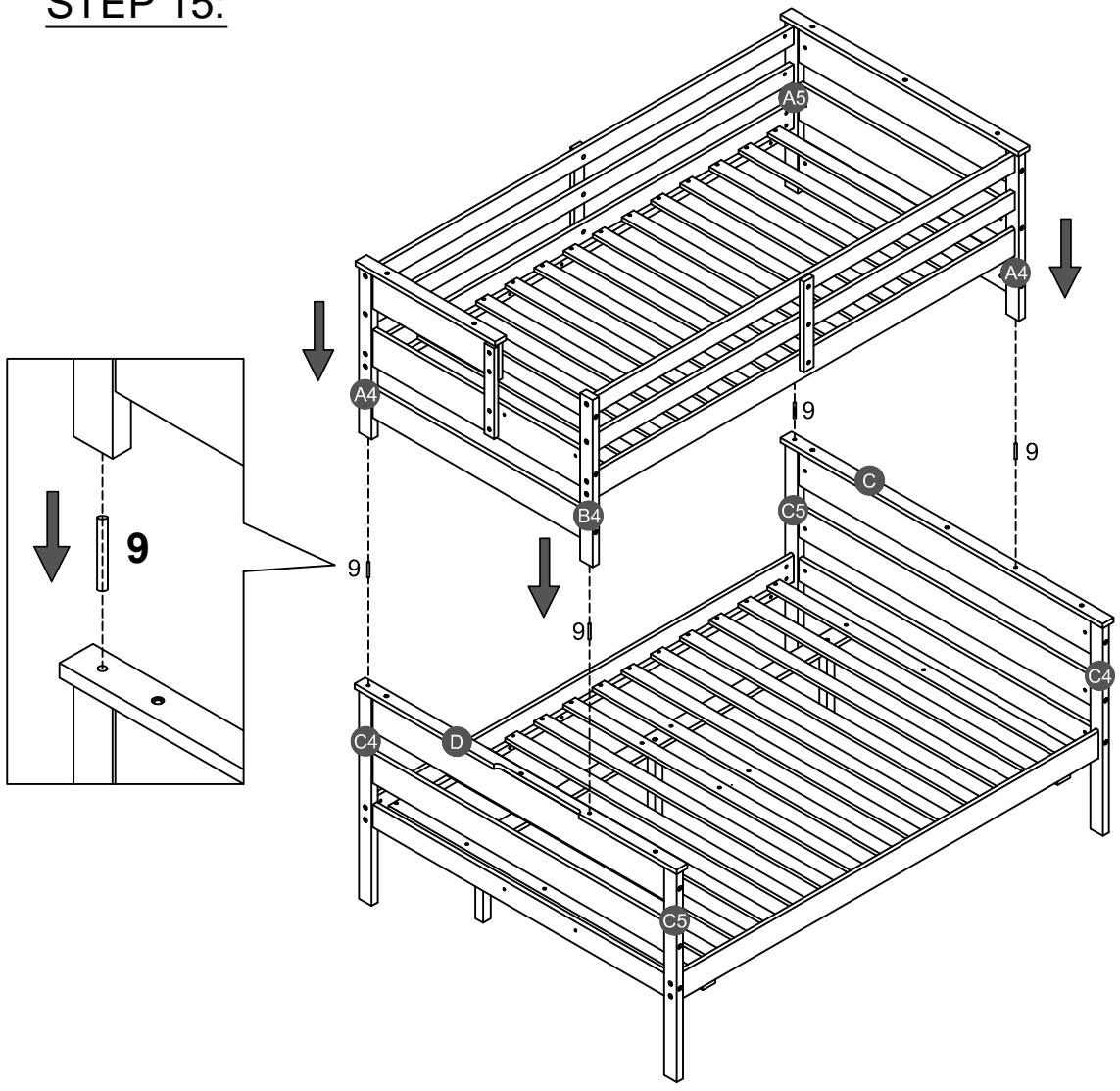
28PCS





NOTE: Please make sure the bed slats close to the side rail before locking the screws to avoid breakage. This step is required for both the left and right sides. Moreover, please do not lock the screws of the bed slats at the outermost edge to avoid damaging.

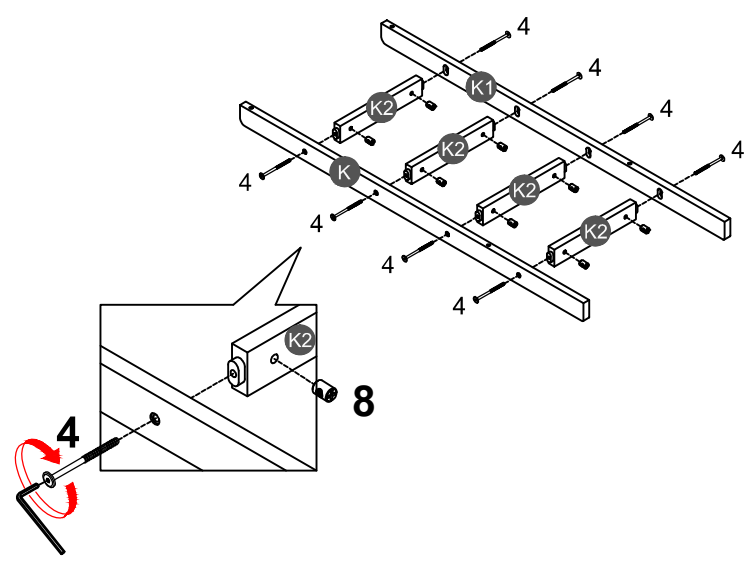
STEP 15:

9	
4PCS	



STEP 16:

4	8
	
8PCS	8PCS

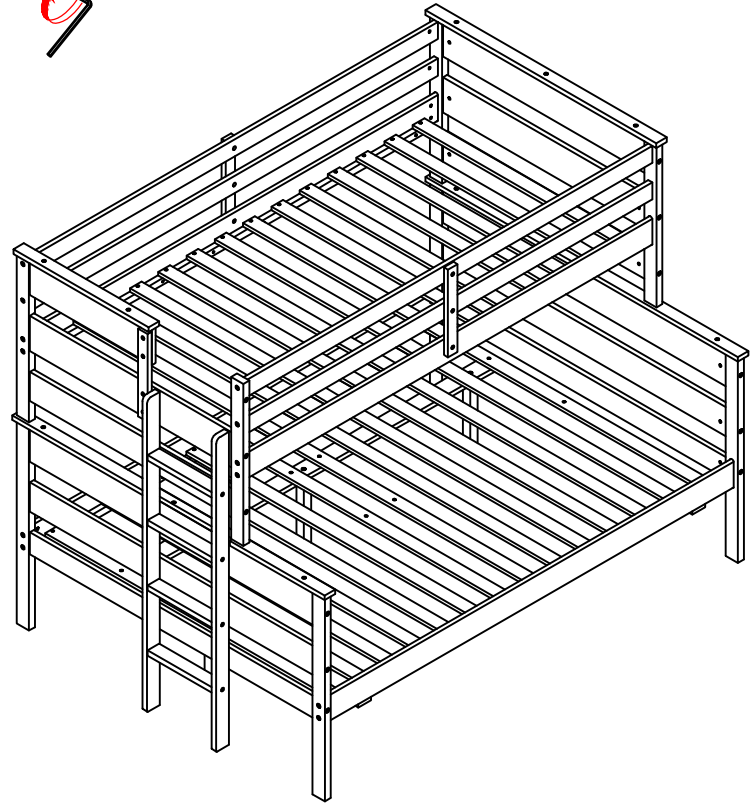
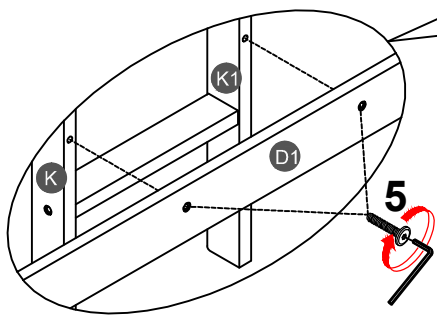
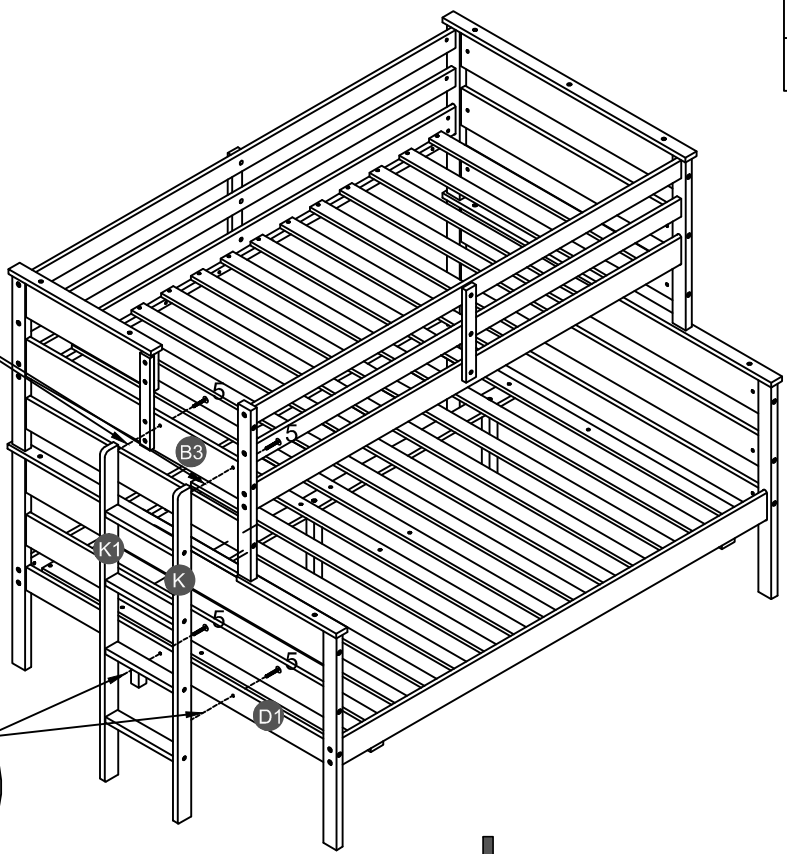
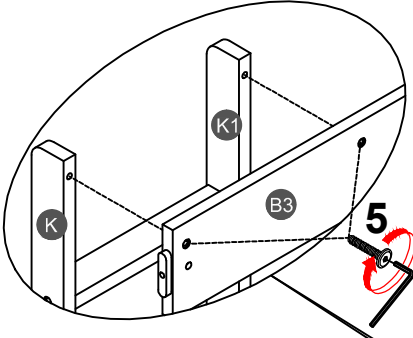


STEP 17:

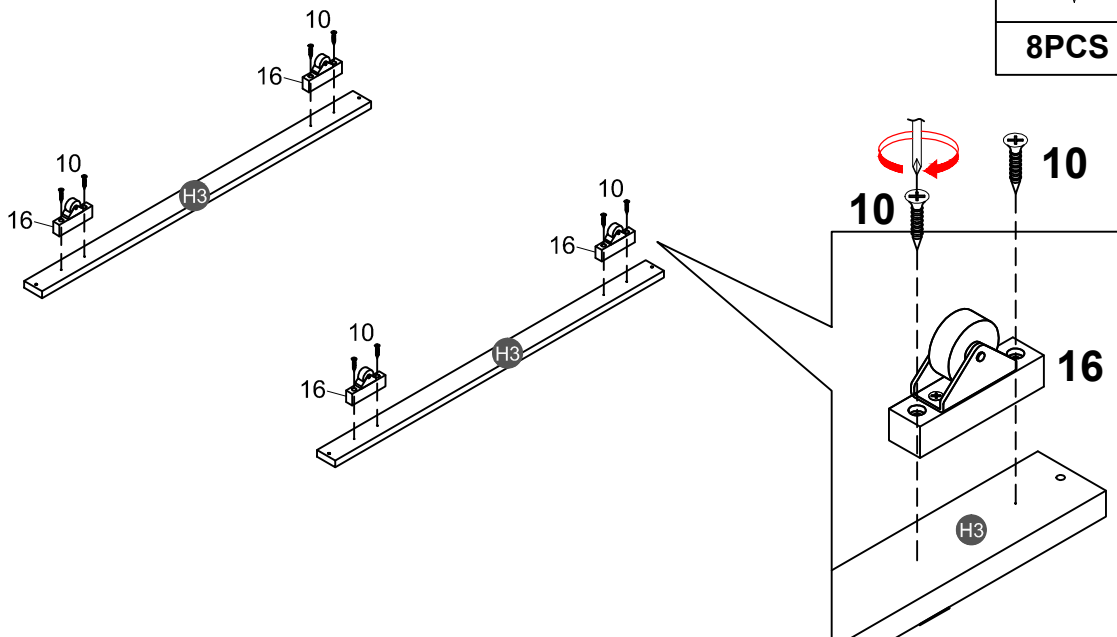
5



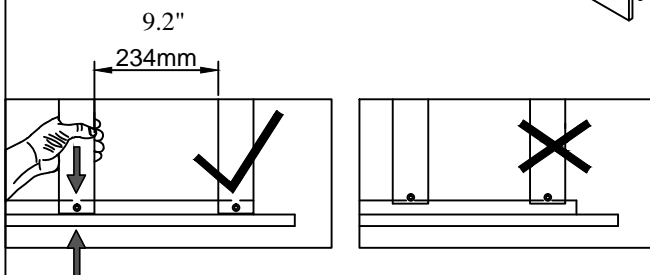
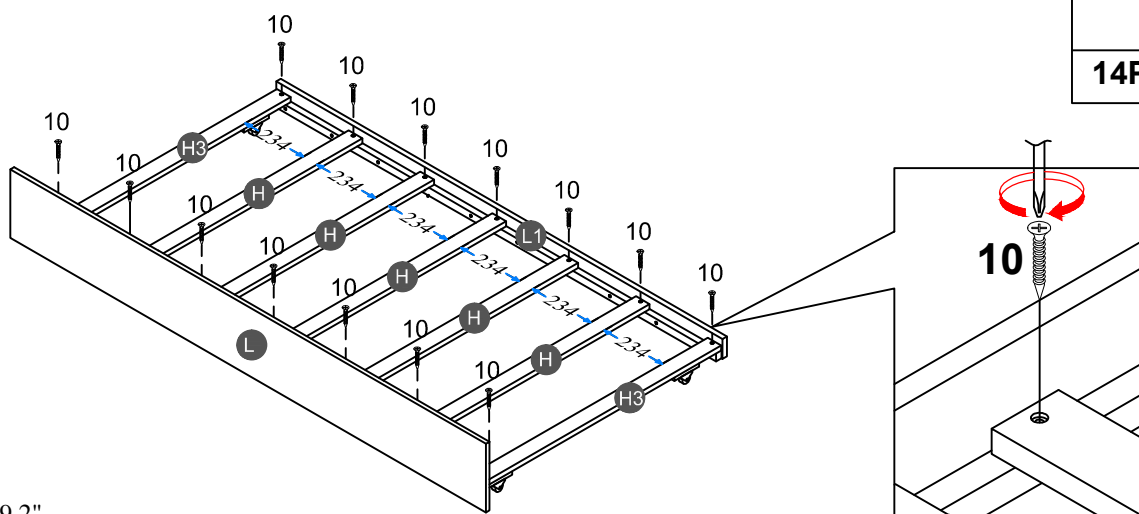
4PCS



STEP 18:





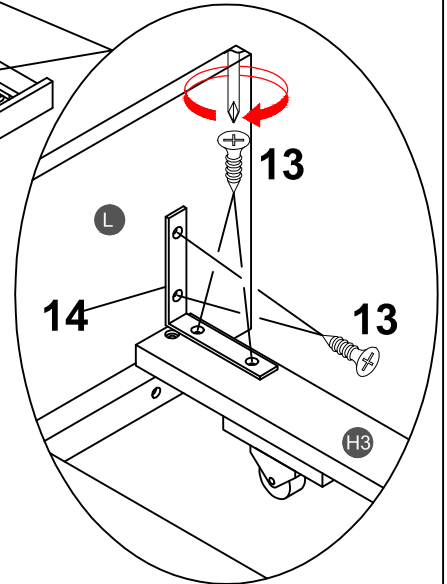
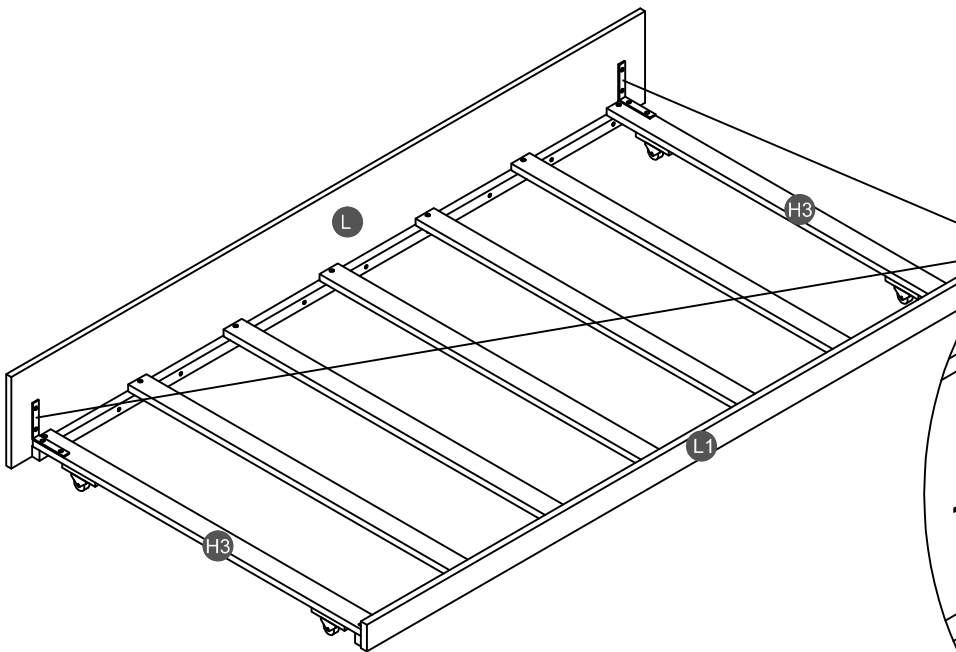
STEP 19:




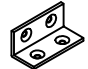
NOTE: Please make sure the bed slats close to the side rail before locking the screws to avoid breakage. This step is required for both the left and right sides. Moreover, please do not lock the screws of the bed slats at the outermost edge to avoid damaging.

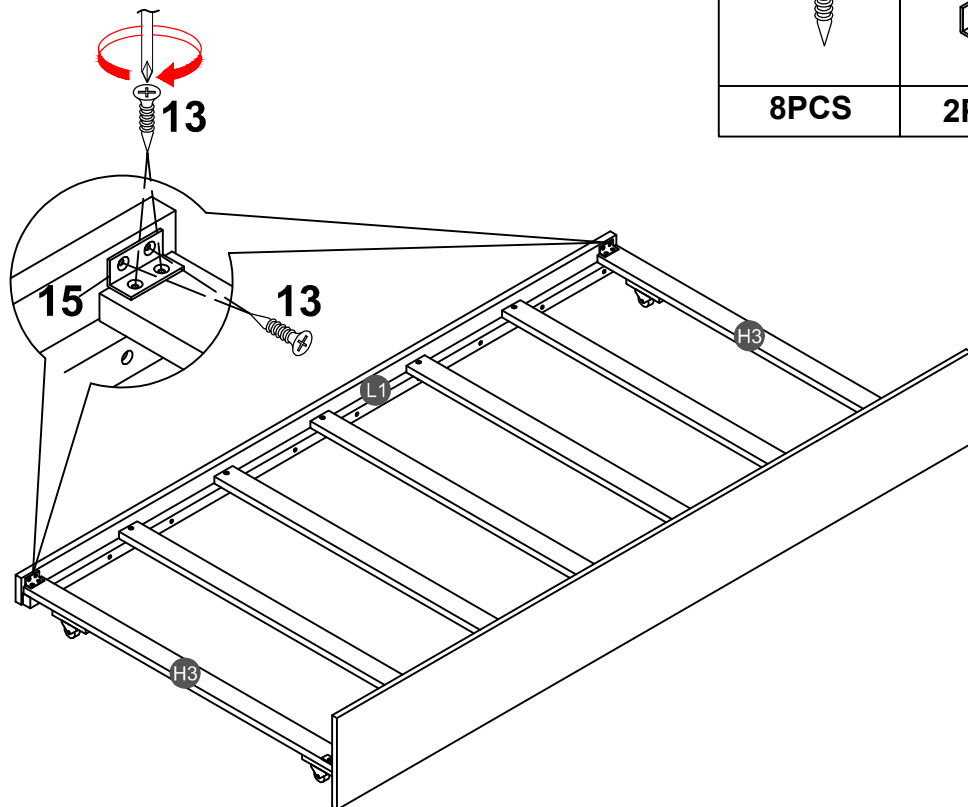
STEP 20:

13		14	
8PCS		2PCS	

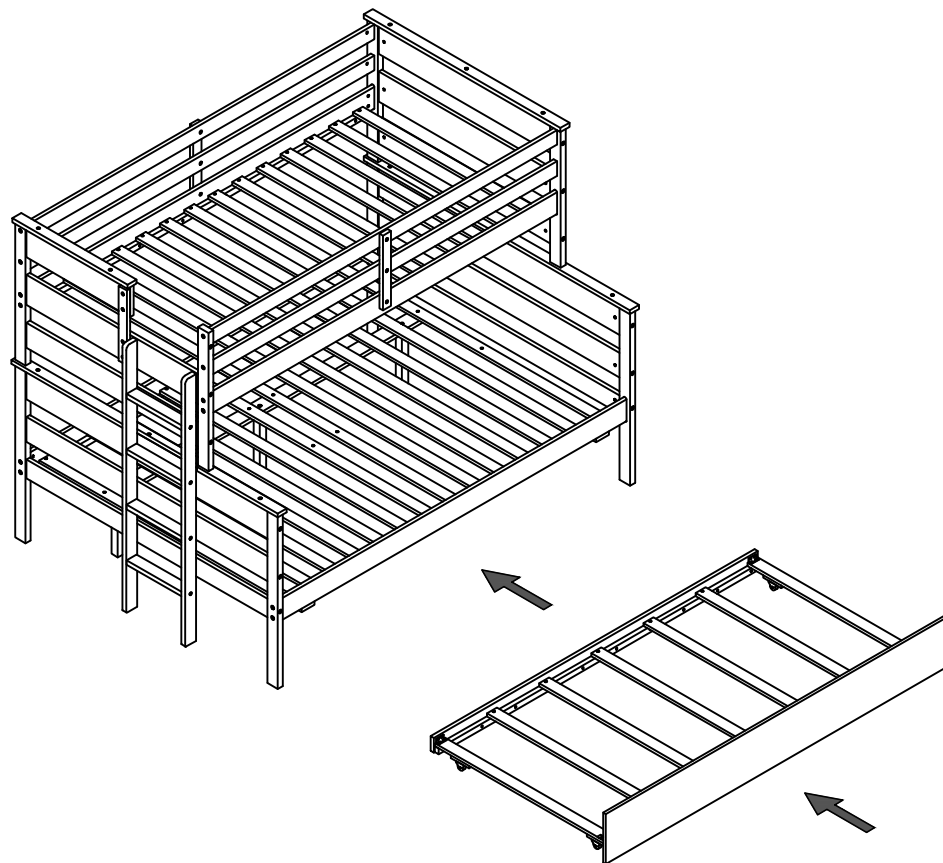


STEP 21:

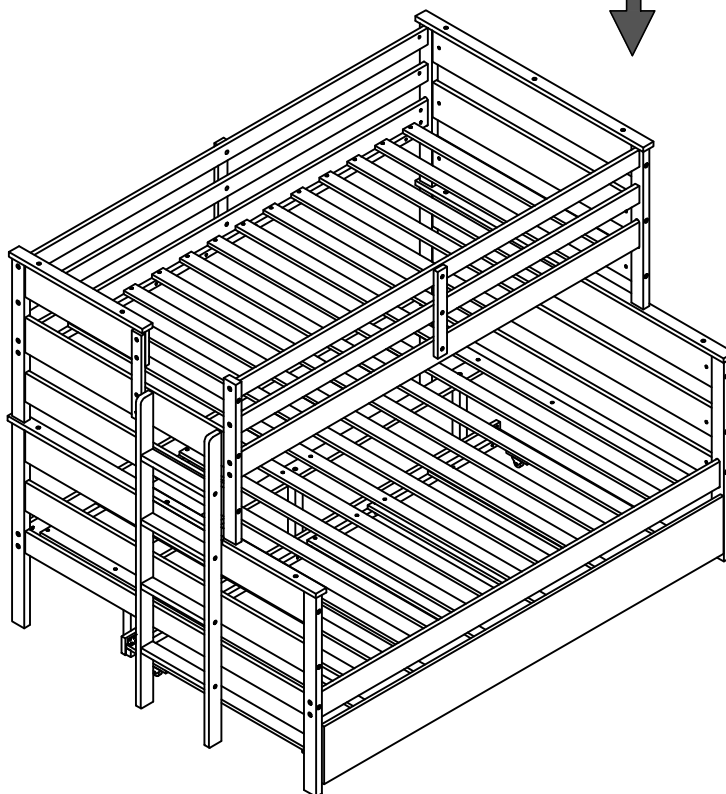
13		15	
8PCS		2PCS	



STEP 22:



Push Trundle and Drawer under the bottom of Bunkbed.



Make sure to tighten all the screws of the bed.