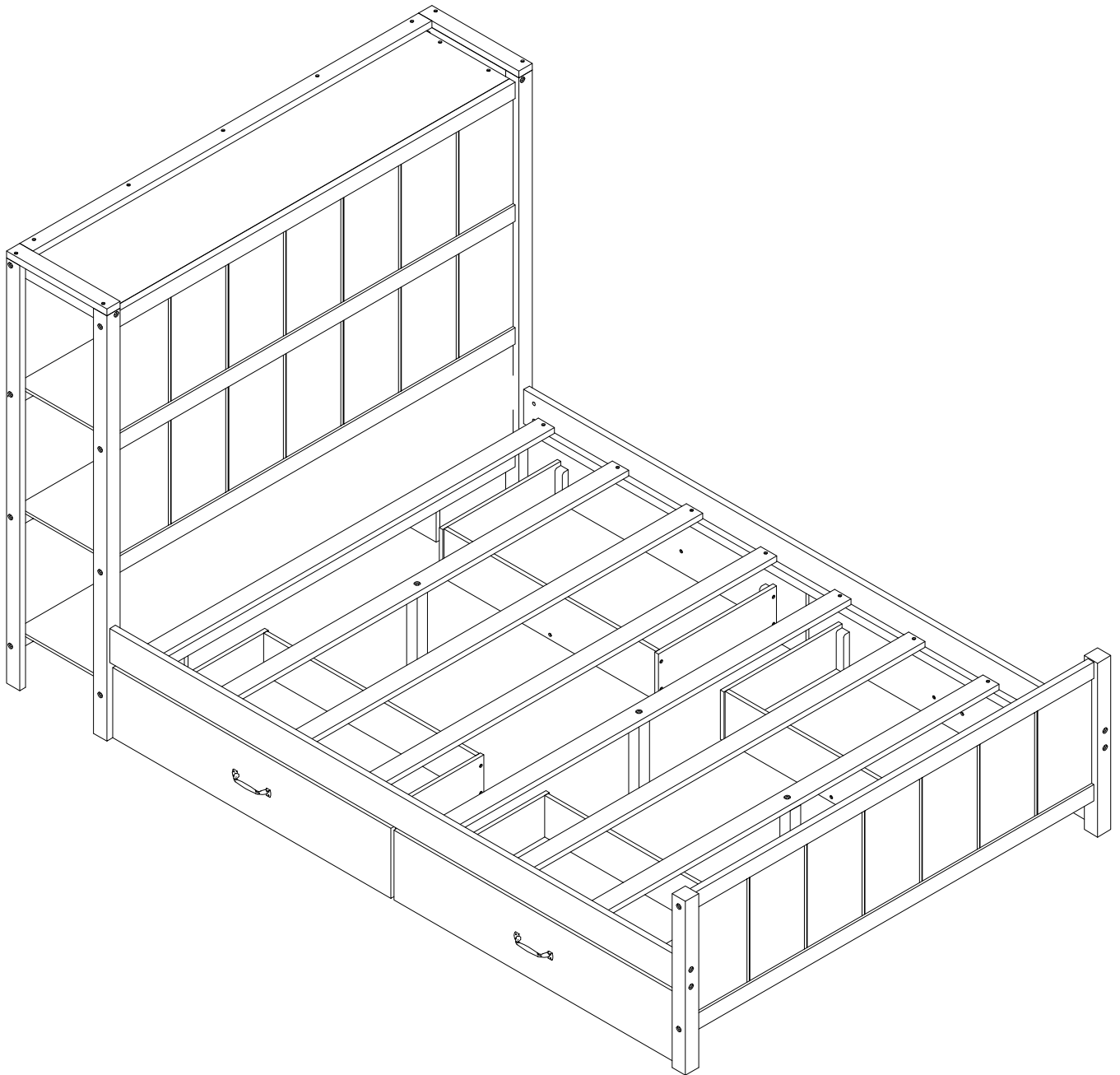


## ASSEMBLY INSTRUCTION

SKU CODE: (WF315806-WF315807)

**This set includes 2 boxes if don't receive full 2 boxes please contact our customer service team**



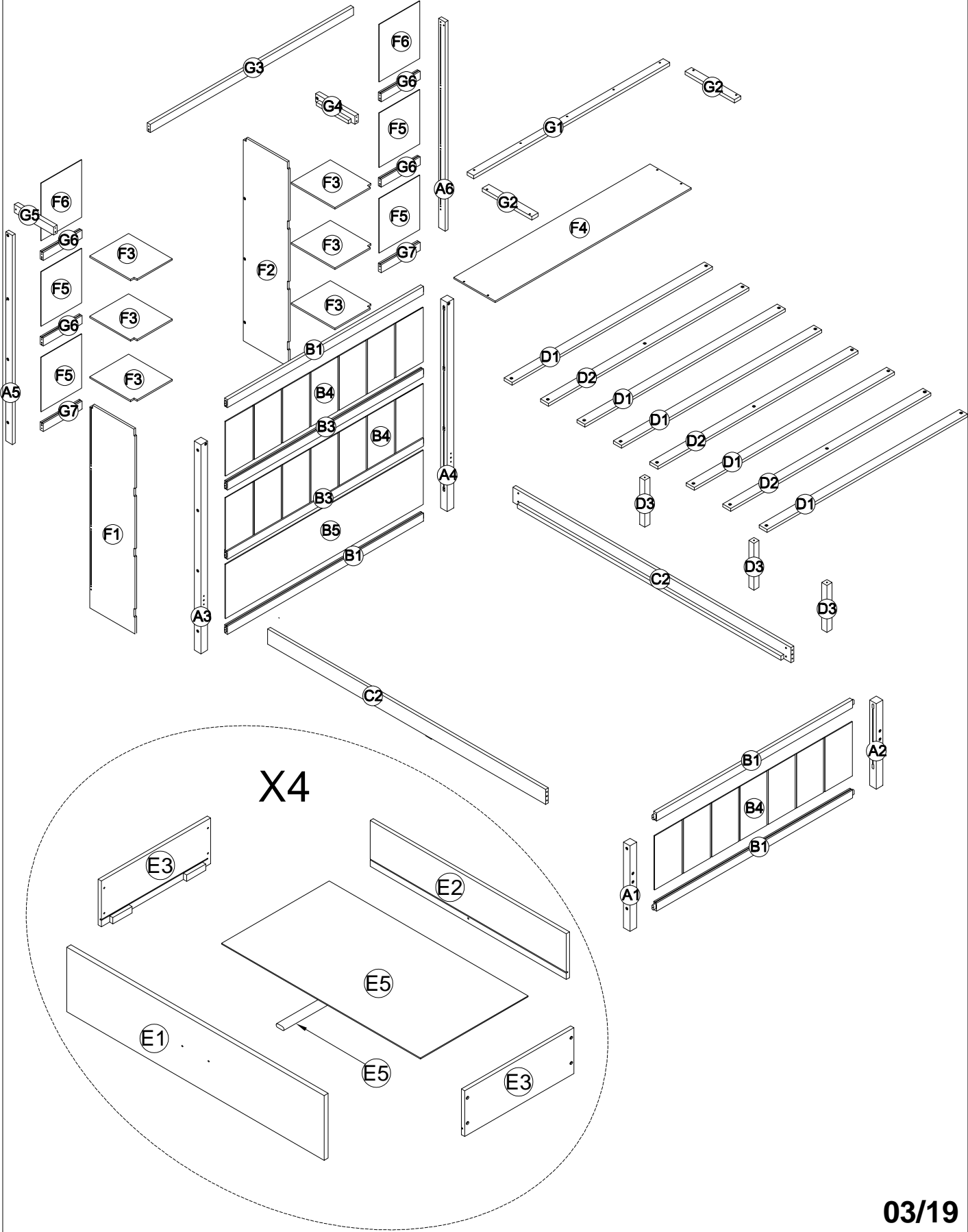
## SAFETY WARNINGS AND GENERAL NOTES:

1. Do not use substitute parts. Contact the manufacturer or dealer for replacement parts.
2. Keep these instructions for future reference.
3. We recommend assembling your bed on the shipping carton to protect your floor or carpet.
4. Be certain all staples are out of the box before beginning assembly on the shipping carton.







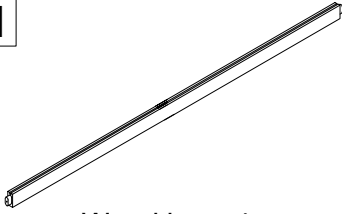
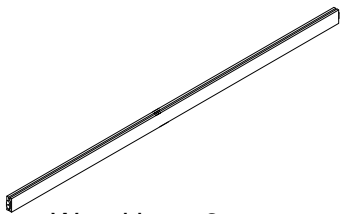
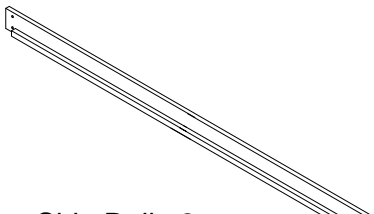
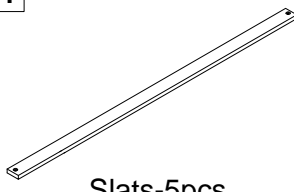
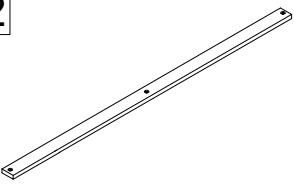

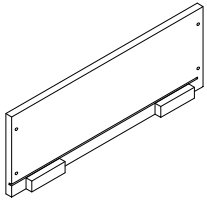
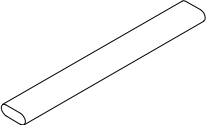
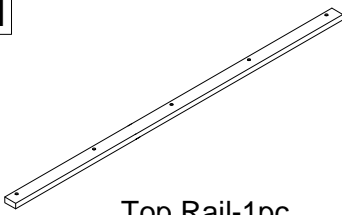
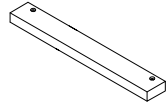
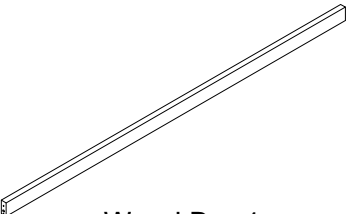
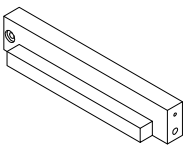
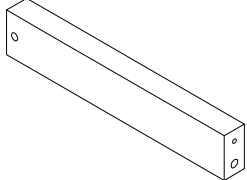
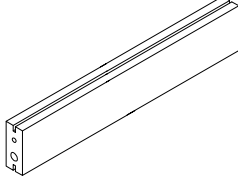
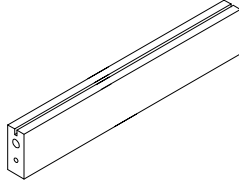
### 5.Replacement Parts:

Replacement Parts, including additional guardrails, may be obtained from any of our (GIGACLOUD TECHNOLOGY (USA) INC.) dealers

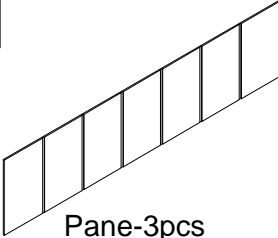
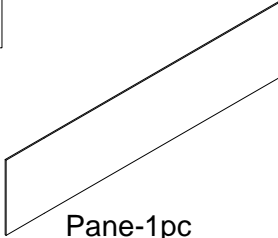
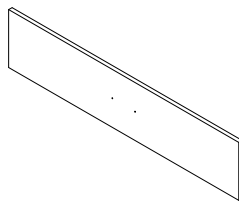
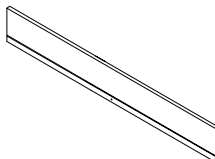
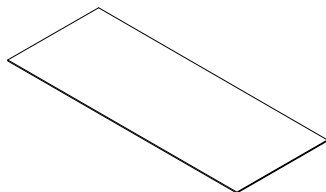


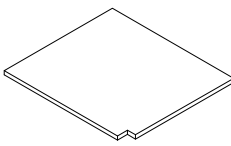
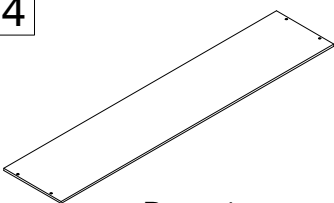
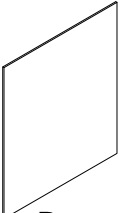
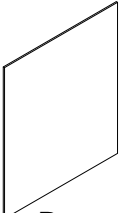
# ASSEMBLY INSTRUCTION



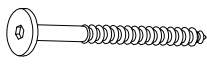
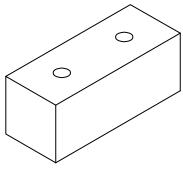

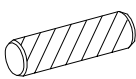
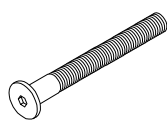
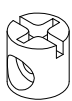
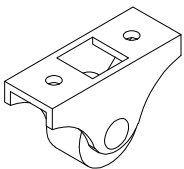
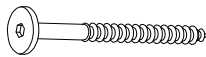
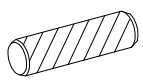

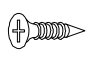
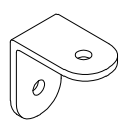
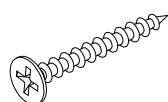
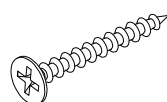
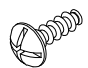
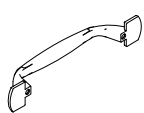
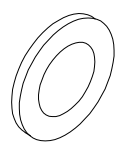
# Part List (Box 1-WF315806)

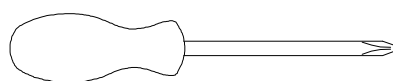
<p><b>A1</b></p>  <p>Leg-1pc</p>	<p><b>A2</b></p>  <p>Leg-1pc</p>	<p><b>A3</b></p>  <p>Leg-1pc</p>
<p><b>A4</b></p>  <p>Leg-1pc</p>	<p><b>A5</b></p>  <p>Leg-1pc</p>	<p><b>A6</b></p>  <p>Leg-1pc</p>
<p><b>B1</b></p>  <p>Wood bars-4pcs</p>	<p><b>B3</b></p>  <p>Wood bars-2pcs</p>	<p><b>C2</b></p>  <p>Side Rails-2pcs</p>
<p><b>D1</b></p>  <p>Slats-5pcs</p>	<p><b>D2</b></p>  <p>Slats-3pcs</p>	<p><b>D3</b></p>  <p>Center Legs-3pcs</p>
<p><b>E3</b></p>  <p>Drawer-Side pane-8pcs</p>	<p><b>E6</b></p>  <p>Drawer-Support Bottom pane-4pcs</p>	<p><b>G1</b></p>  <p>Top Rail-1pc</p>
<p><b>G2</b></p>  <p>Top Rails-2pcs</p>	<p><b>G3</b></p>  <p>Wood Bar-1pc</p>	<p><b>G4</b></p>  <p>Wood Bar-1pc</p>
<p><b>G5</b></p>  <p>Wood Bar-1pc</p>	<p><b>G6</b></p>  <p>Wood Bars-4pcs</p>	<p><b>G7</b></p>  <p>Wood Bars-2pcs</p>

# Part List & Hardware List (Box 2-WF315807)

<b>B4</b>  Pane-3pcs	<b>B5</b>  Pane-1pc	<b>E1</b>  Drawer-Front pane-4pcs
<b>E2</b>  Drawer-Back pane-4pcs	<b>E5</b>  Drawer-Bottom pane-4pcs	<b>F1</b>  Pane-1pc
<b>F2</b>  Pane-1pc	<b>F3</b>  Panel-6pcs	<b>F4</b>  Pane-1pc
<b>F5</b>  Pane-4pcs	<b>F6</b>  Pane-2pcs	

# Hardware List(Box 2-WF315807)

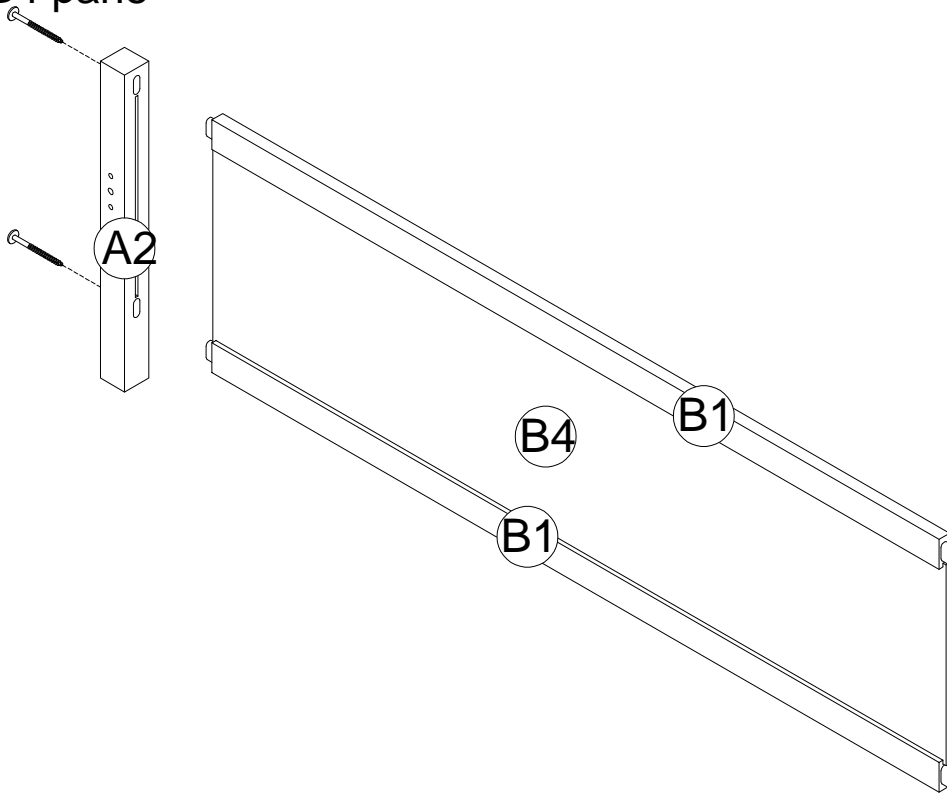
<p><b>1</b></p>  <p>Screws 1/4" x70 14pcs</p>	<p><b>2</b></p>  <p>Stop Drawer-6pcs</p>	<p><b>3</b></p>  <p>Ø1/4" x 30 mm Hex-Head bolts 5pcs</p>
<p><b>4</b></p>  <p>Ø10 x 40 mm Wood dowel 6pcs</p>	<p><b>5</b></p>  <p>Ø1/4" x 90 mm Hex-Head bolts 8pcs</p>	<p><b>6</b></p>  <p>Ø1/4" x 13 mm Horizontal-Hole bolts 8pcs</p>
<p><b>7</b></p>  <p>Wheels 16pcs (H=28mm)</p>	<p><b>8</b></p>  <p>Screws 1/4" x40 14pcs</p>	<p><b>9</b></p>  <p>Ø8 x 30 mm Wood dowel 14pcs</p>
<p><b>10</b></p>  <p>Allen Key 1pc</p>	<p><b>11</b></p>  <p>M3.5 x 10 mm Wood Screws 14pcs</p>	<p><b>12</b></p>  <p>Steel Bracket 7pcs</p>
<p><b>13</b></p>  <p>M4 x 20 mm Wood Screws 36pcs</p>	<p><b>14</b></p>  <p>M4 x 30 mm Wood Screws 73pcs</p>	<p><b>15</b></p>  <p>Ø1/6" x 20 mm Hex-Head bolts 8pcs</p>
<p><b>16</b></p>  <p>Handle Steel 4pcs</p>	<p><b>17</b></p>  <p>Washer Ø10/Ø6x2 8pcs</p>	




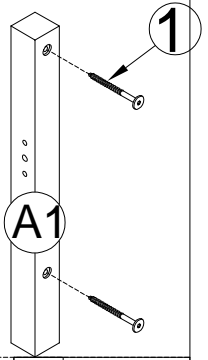
**Assembly Tools Required (Not Included)**

# STEP 1: Following below illustration:

-Using hardware #1 to connect A1,A2 Legs with B1(x2) Wood Bars and B4 pane

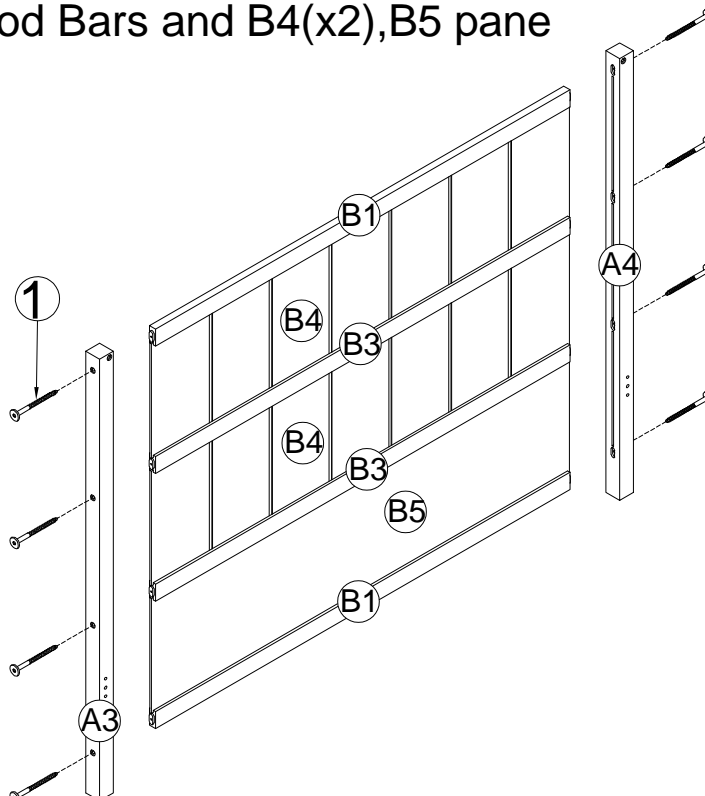



1

4pcs



# STEP 2: Following below illustration:.


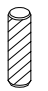
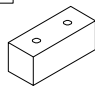

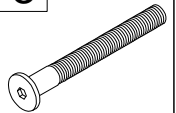
-Using hardware #1 to connect A3,A4 Legs with B1(x2),B3(x2) Wood Bars and B4(x2),B5 pane

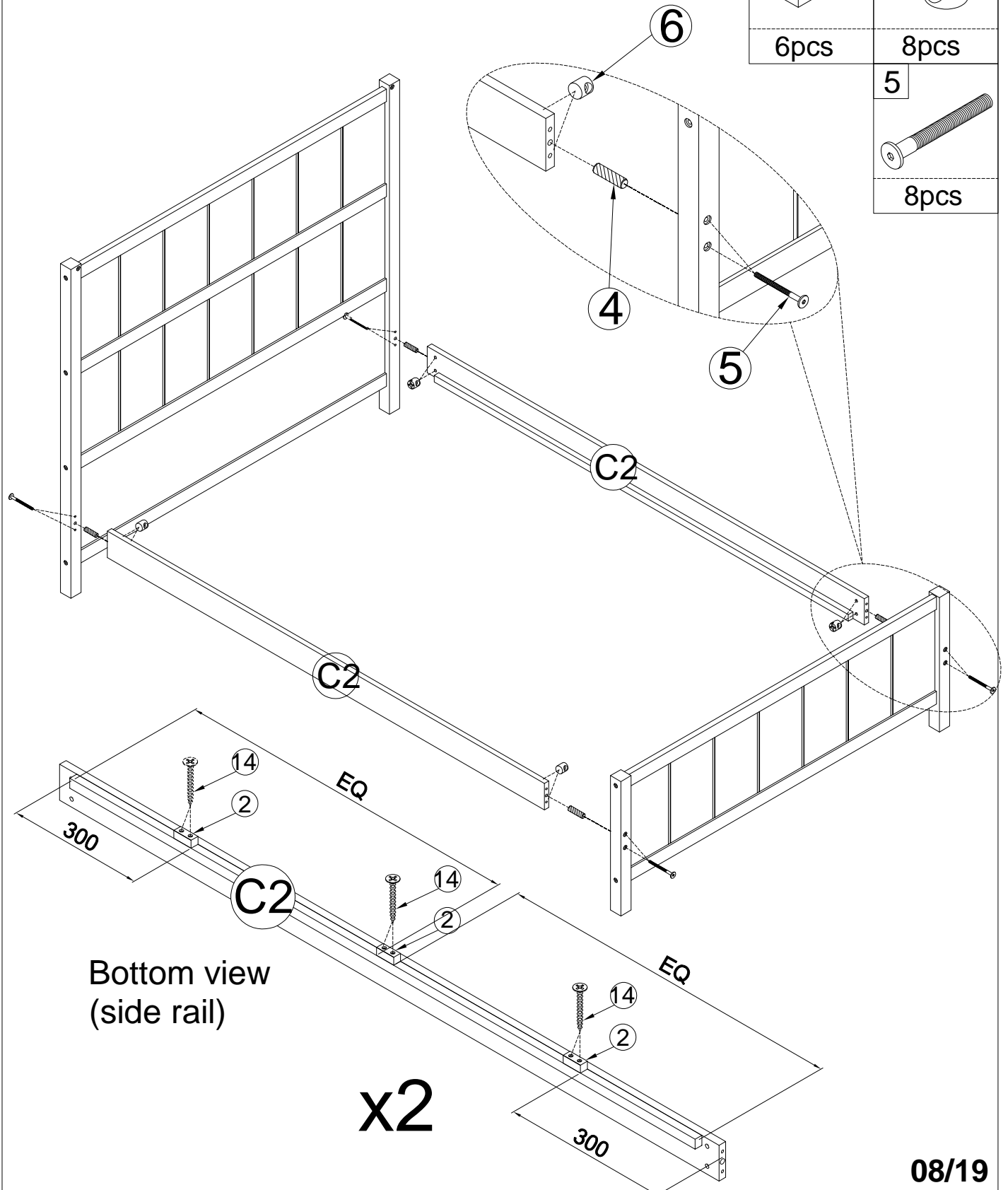


1

8pcs

# STEP 3: Following below illustration:



- Using HW #5,#6 and dowel #4 to connect Frame (completed in step 1,step 2) With C2(x2)
- Using HW #14 to connect Stop Drawer #2 With Side rail C2

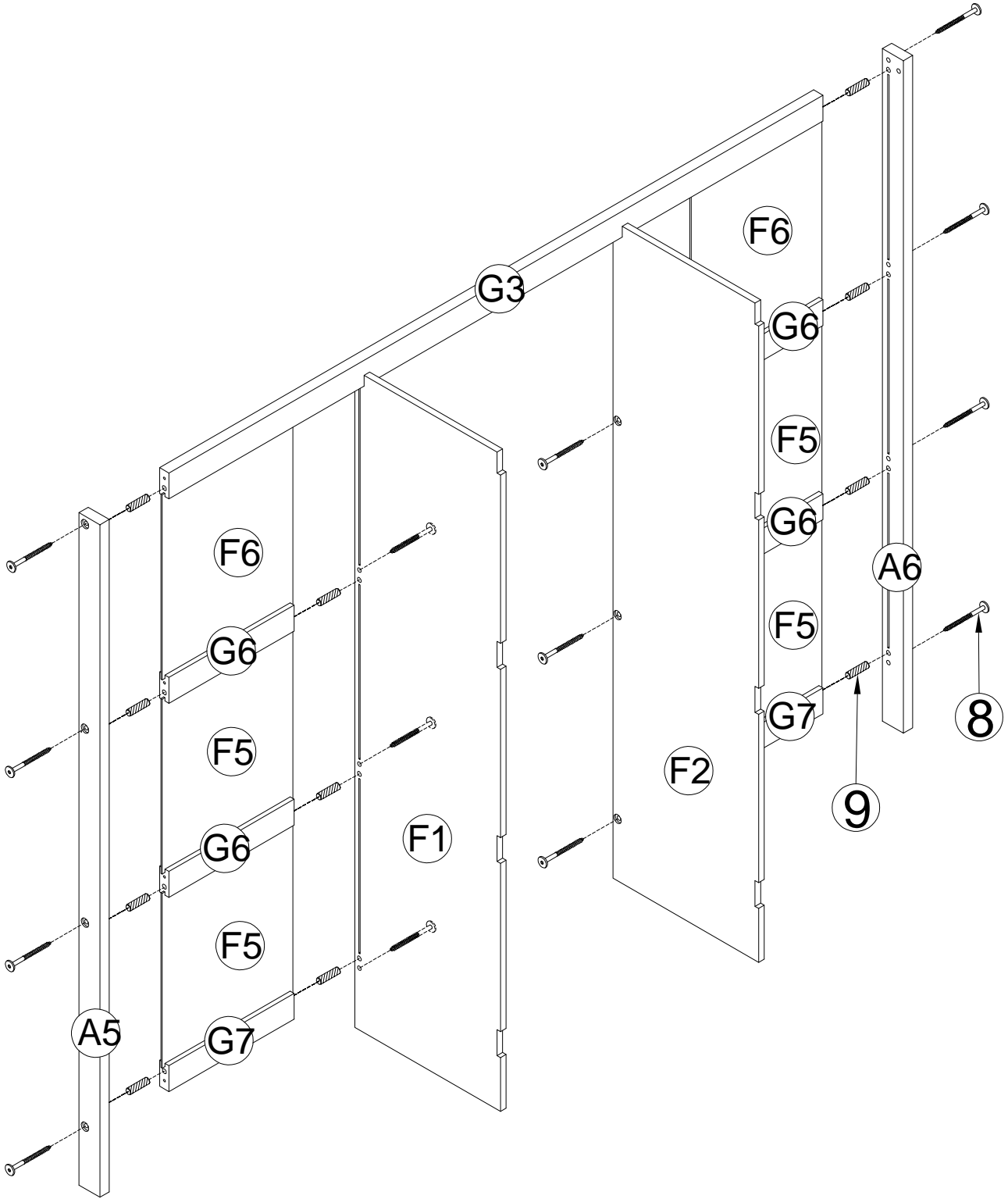
14		4	
12pcs		4pcs	
2		6	
6pcs		8pcs	
		5	
		8pcs	






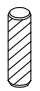

# STEP 4: Following below illustration:

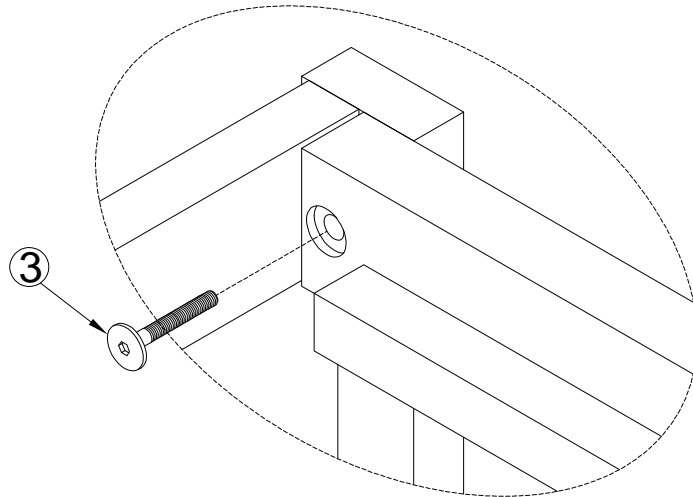
8	9
	
14pcs	14pcs



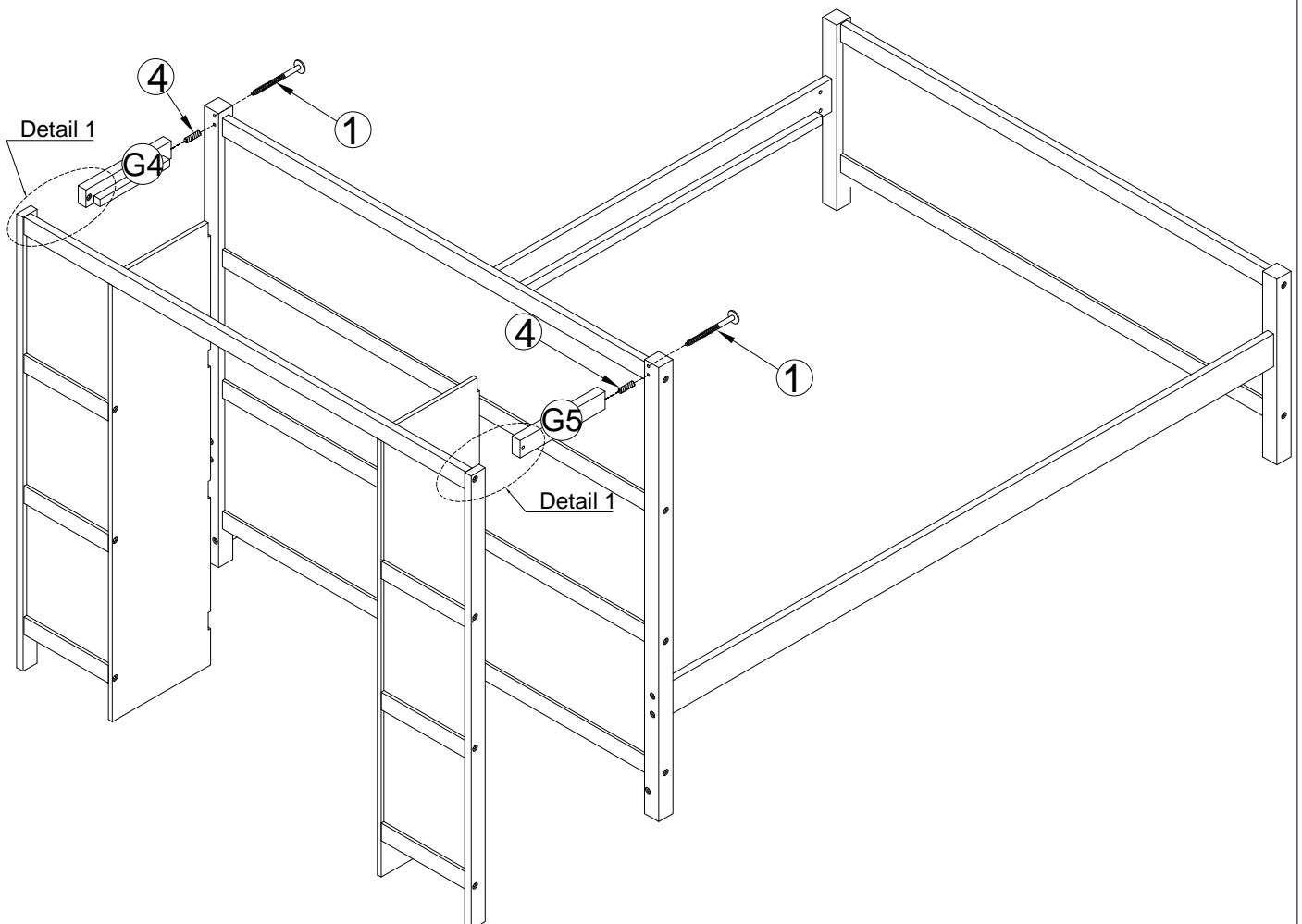
# STEP 5: Following below illustration:

-Using HW #1,#3 And Dowel 4 to connect Frame (completed in step 3,step 4) With G4,G5 Woodbars

1		4	
2pcs		2pcs	
		3	
		2pcs	





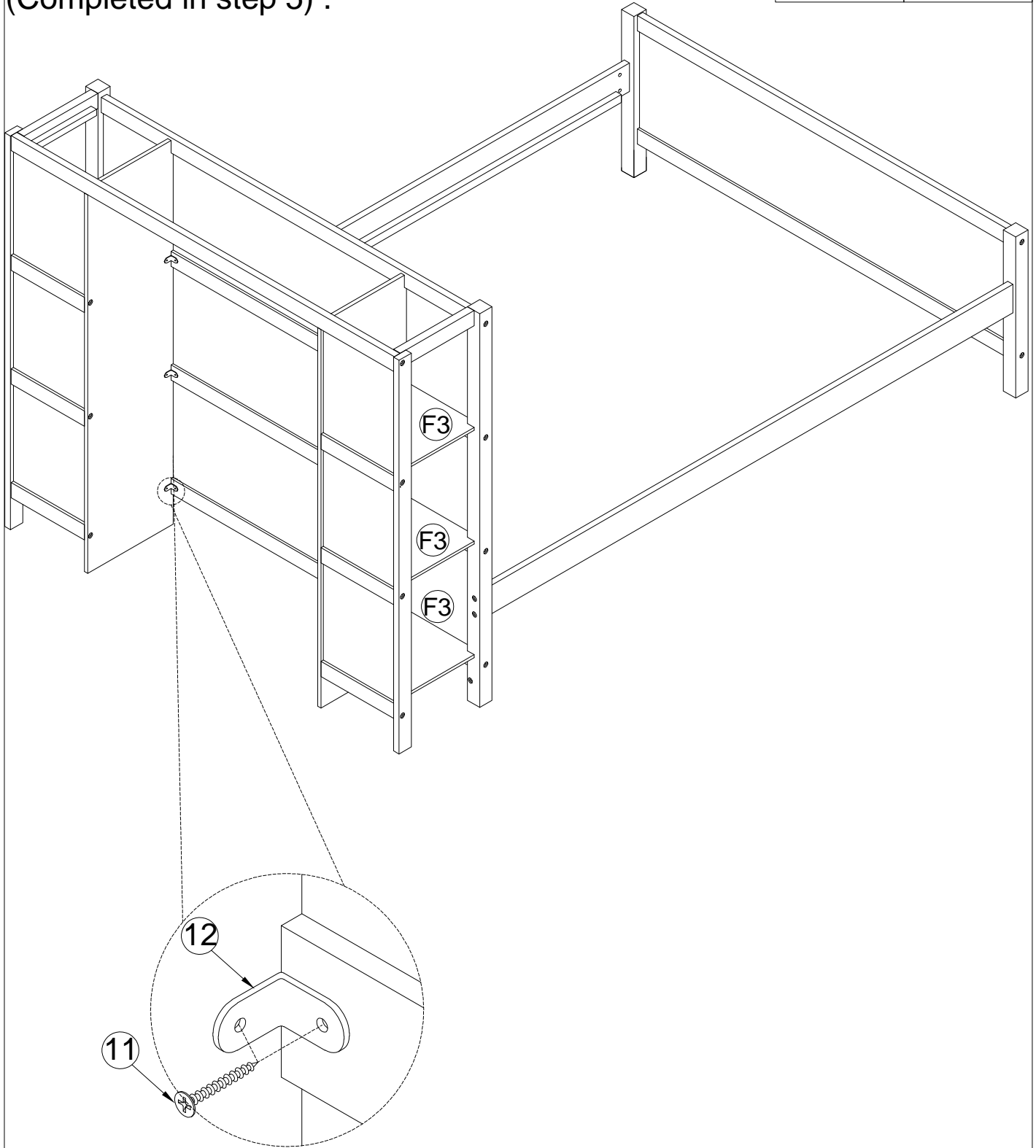
## Detail 1 (x2)



# STEP 6: Following below illustration:




- Put 6 F3 Pane on position
- Using HW #11 to connect bracket (#12) with Frame (Completed in step 5) .

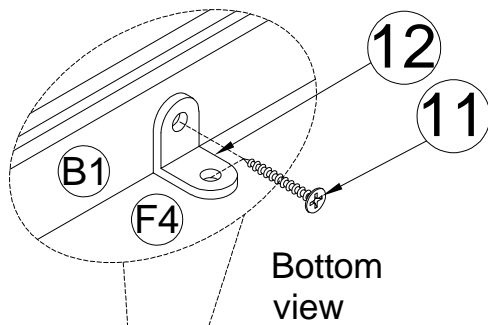
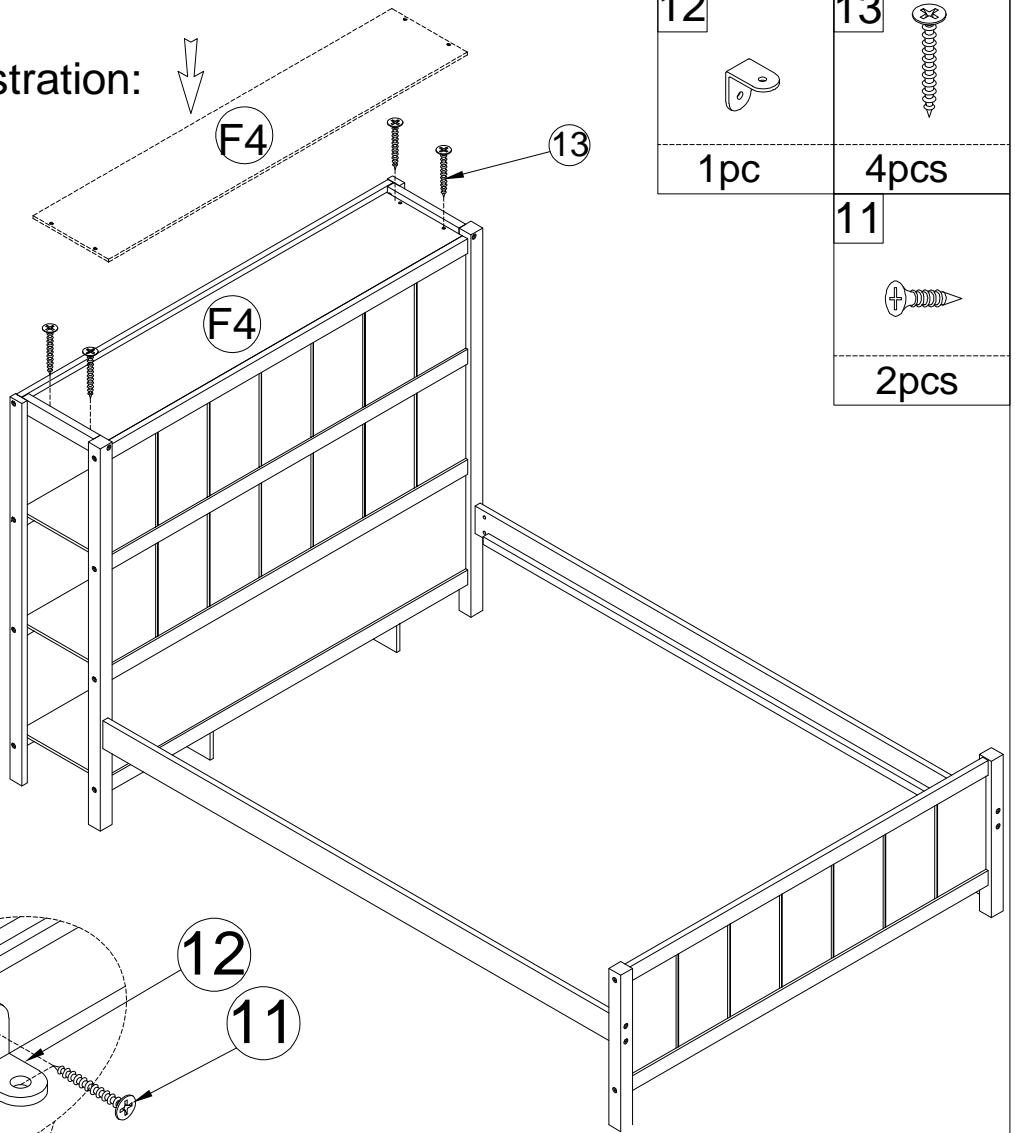
12	11
	
6pcs	12pcs



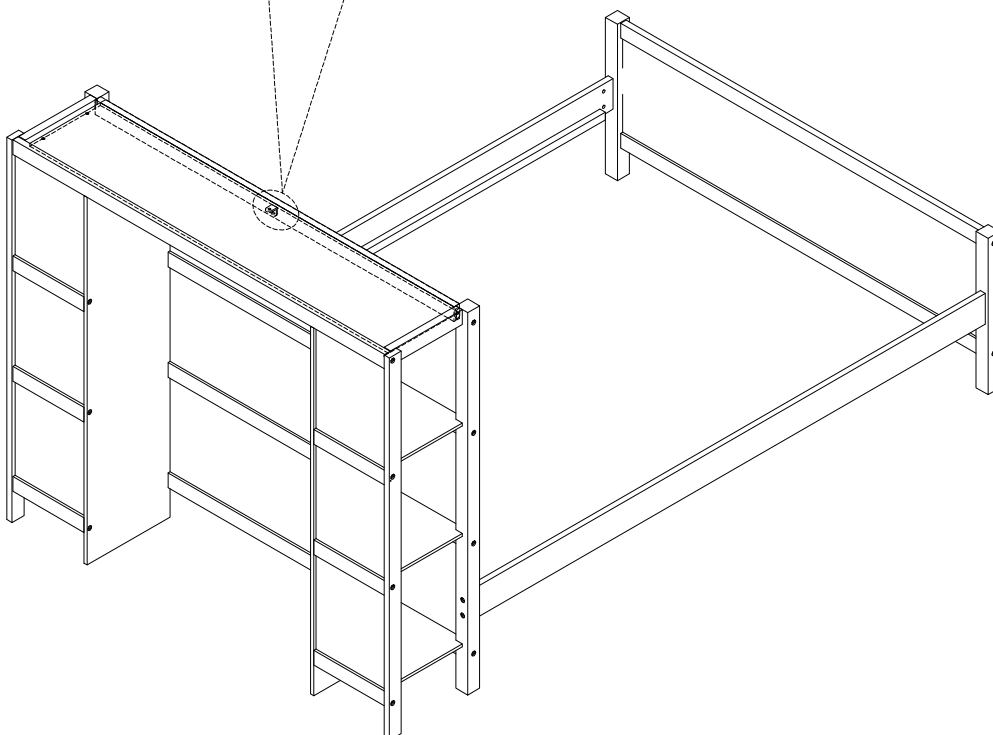
# STEP 7-1:

Following below illustration:

12	13
	
1pc	4pcs
	11
	
	2pcs



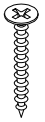
Bottom view



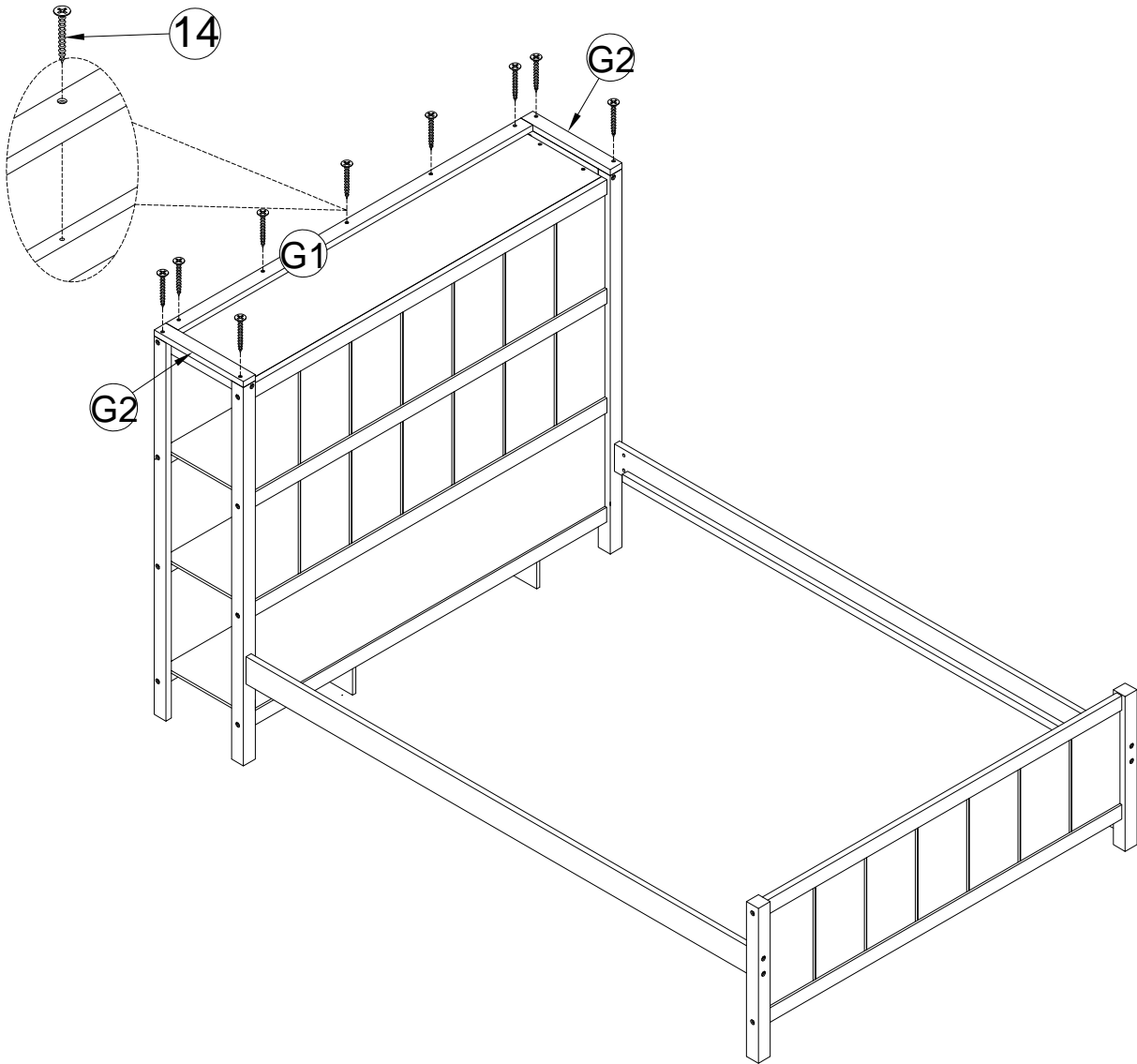
# STEP 7-2:

Following below illustration:

14

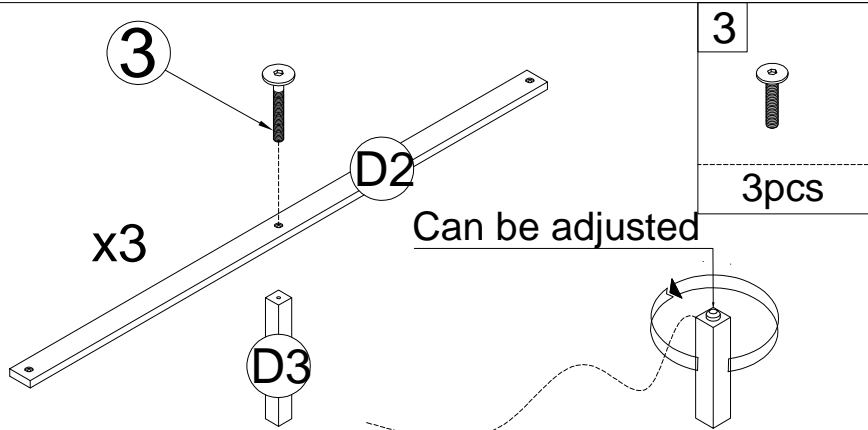


9pcs



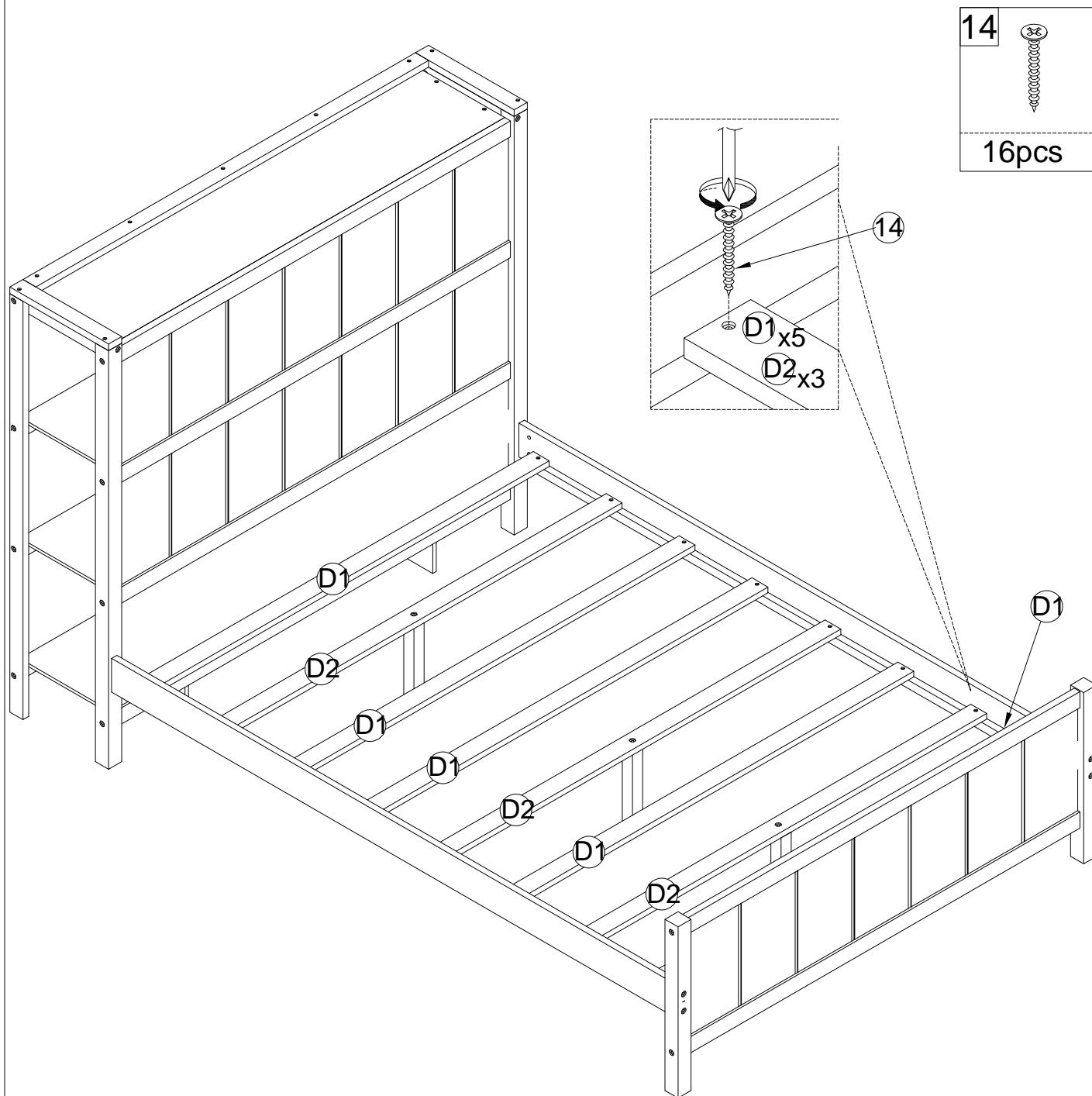
# STEP 8-1:

Following below illustration:




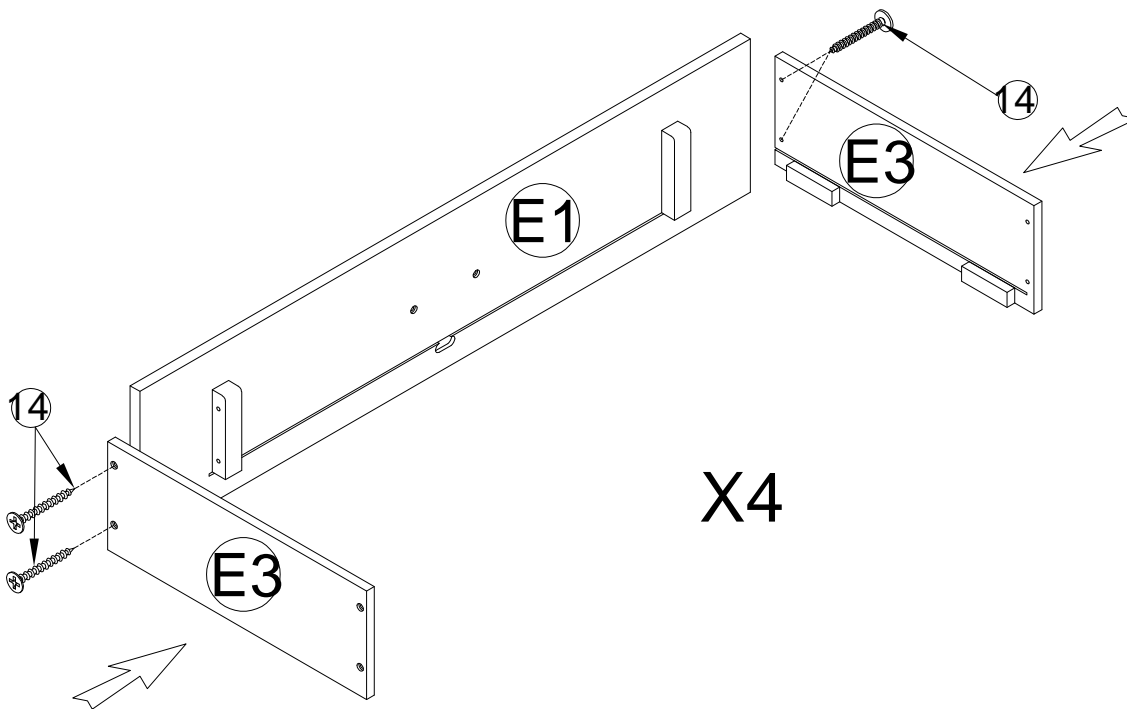
# STEP 8-2: Following below illustration:

-Using HW #14 to Connect 5 slats (D1) and 3 slats (D2) .

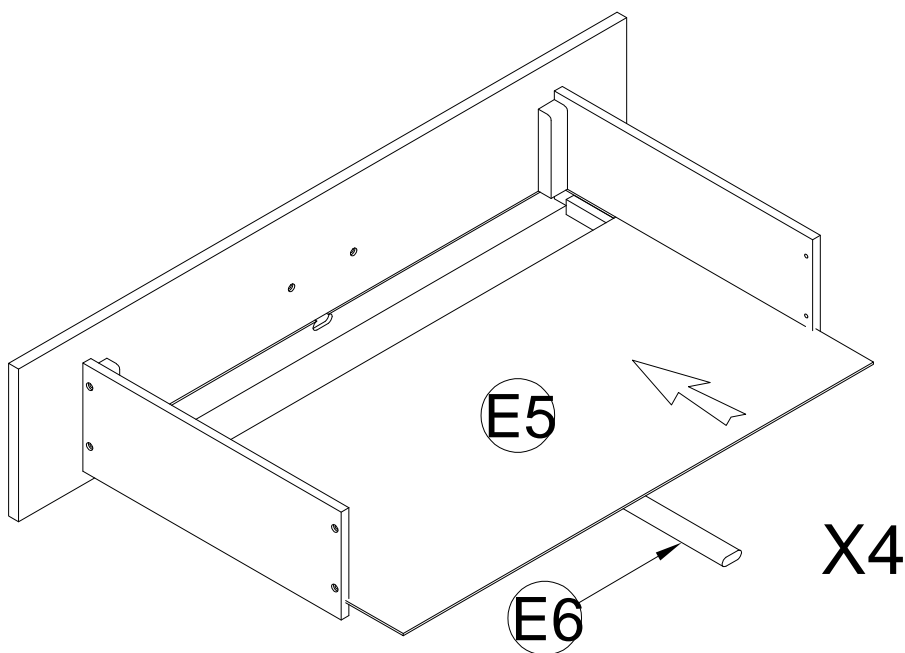


# STEP 9-1: Assemble Drawers

14	
4x4(pcs)	



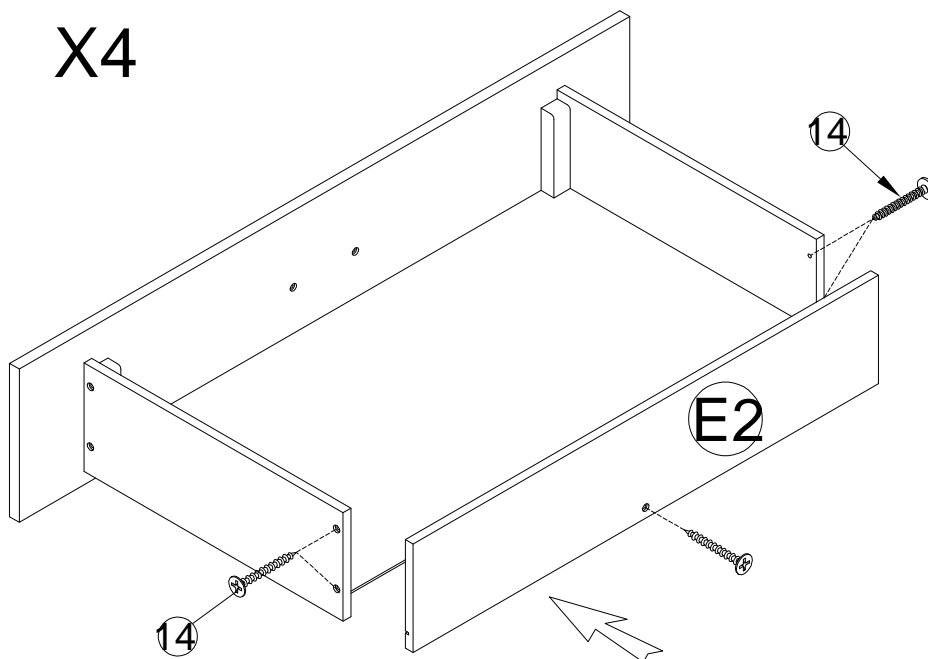
# STEP 9-2: Assemble Drawers




# STEP 9-3:

## Assemble Drawers

X4

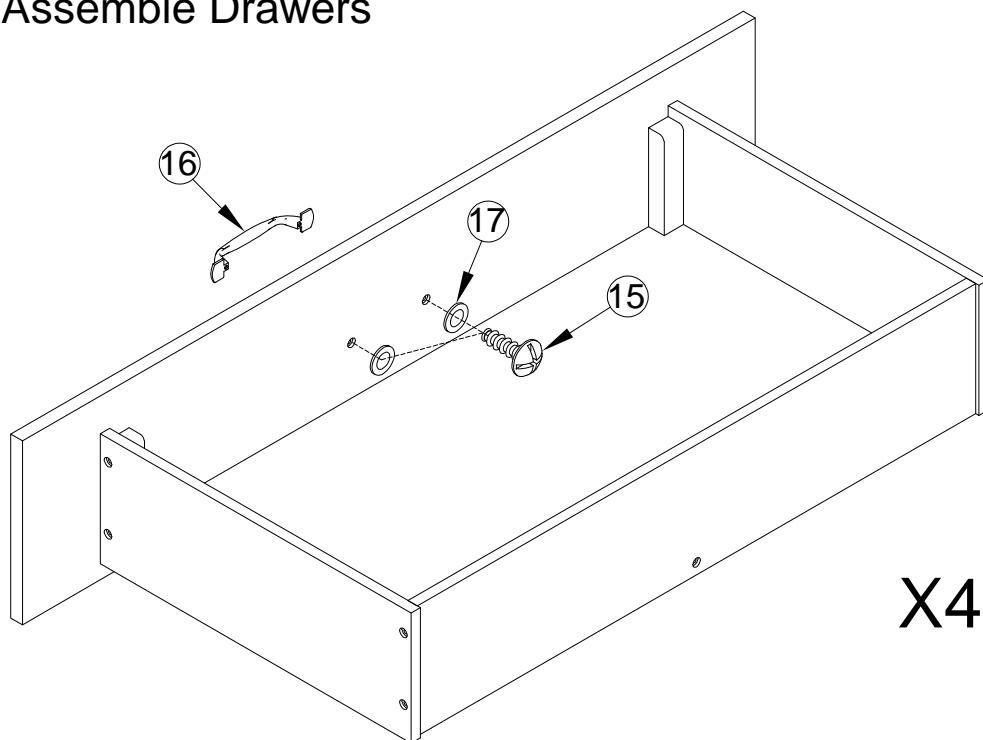


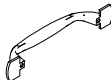


14	
5x4(pcs)	

# STEP 9-4:

## Assemble Drawers

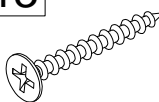
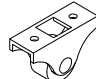
X4

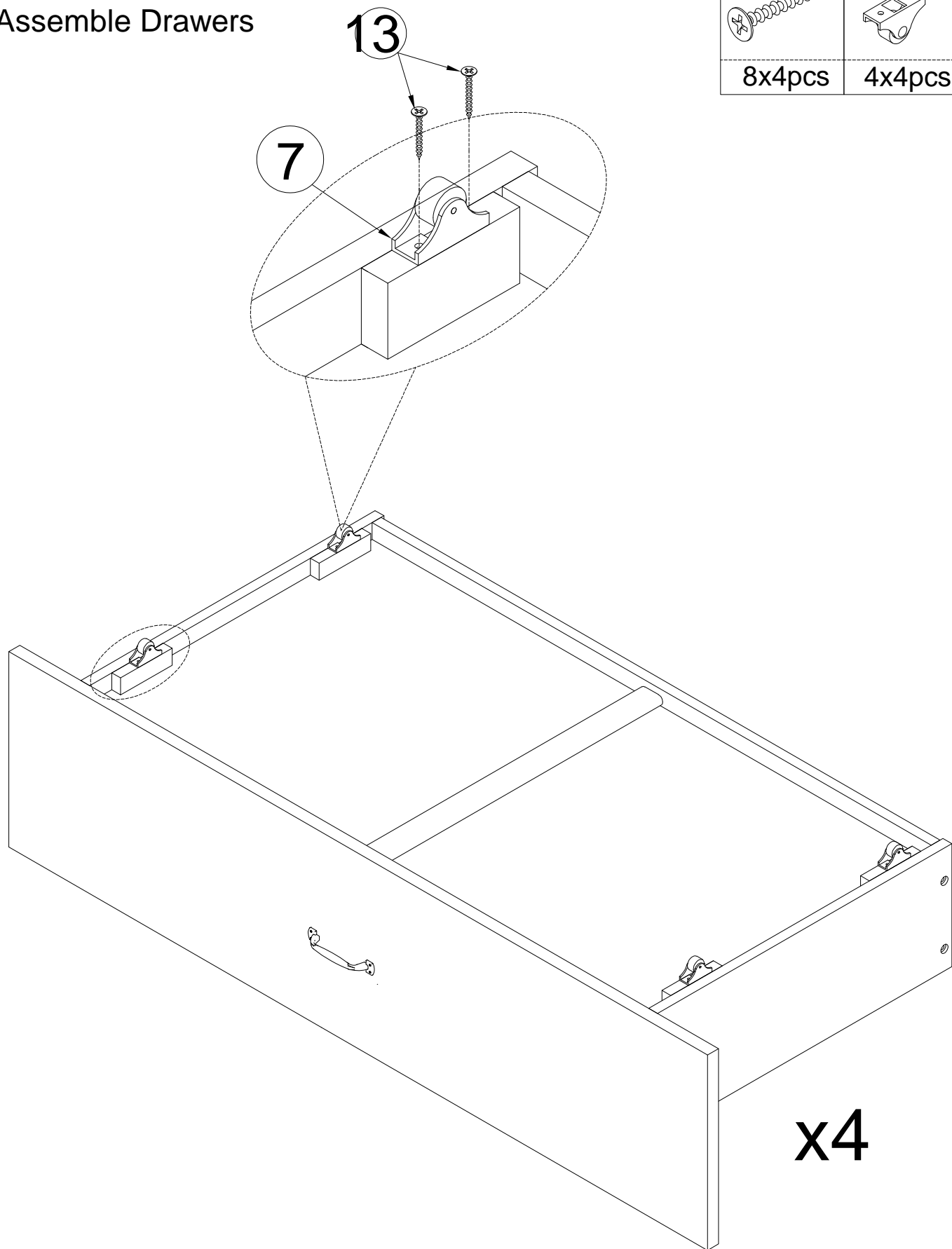


16		15	
1x4(pcs)		2x4(pcs)	
		17	
		2x4(pcs)	



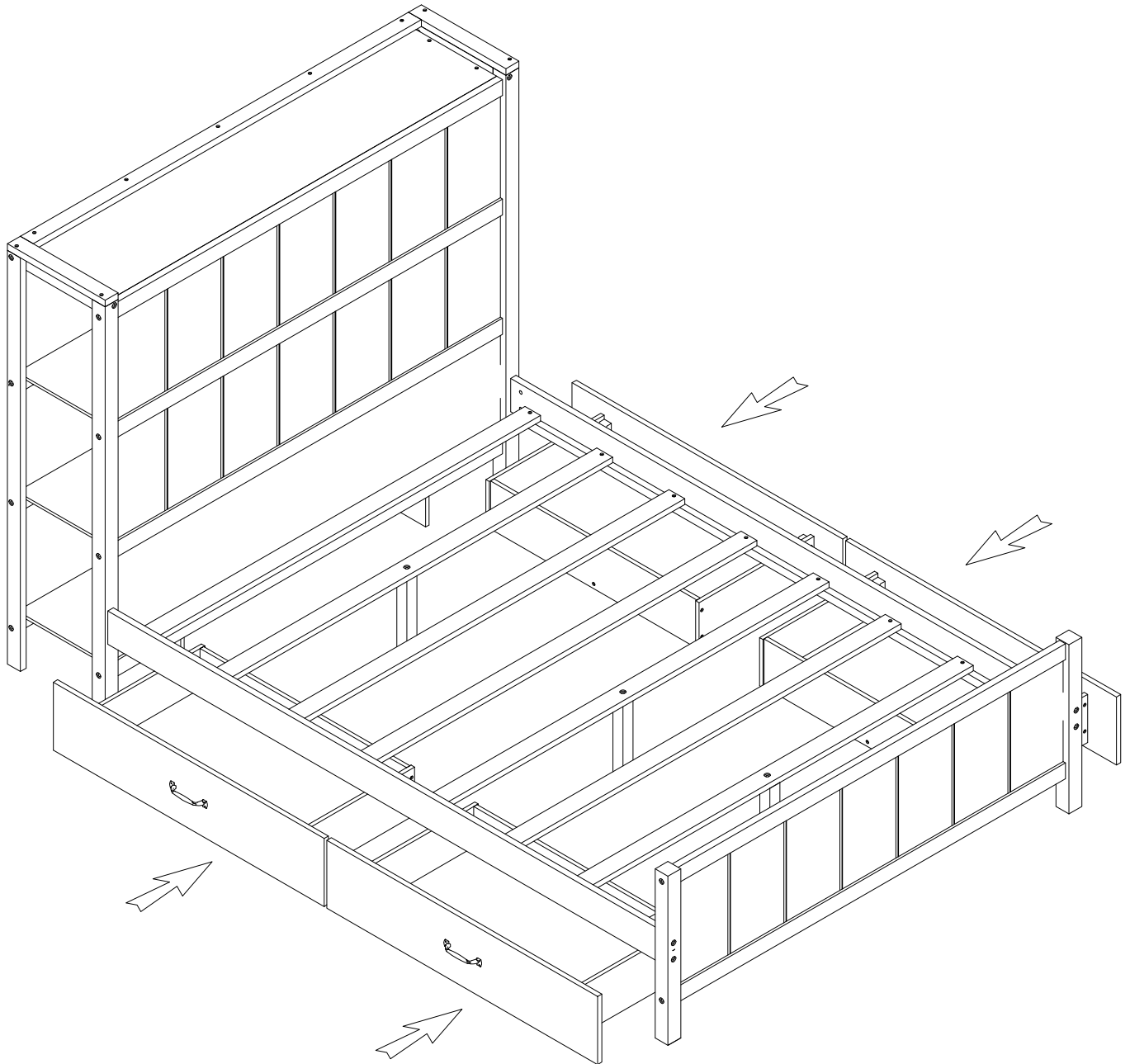
# STEP 9-5: Assemble Drawers

13	7
	
8x4pcs	4x4pcs



## STEP 10:

- Push 4 Drawers into position



CONGRATULATION. YOU HAVE COMPLETED THE BED.

